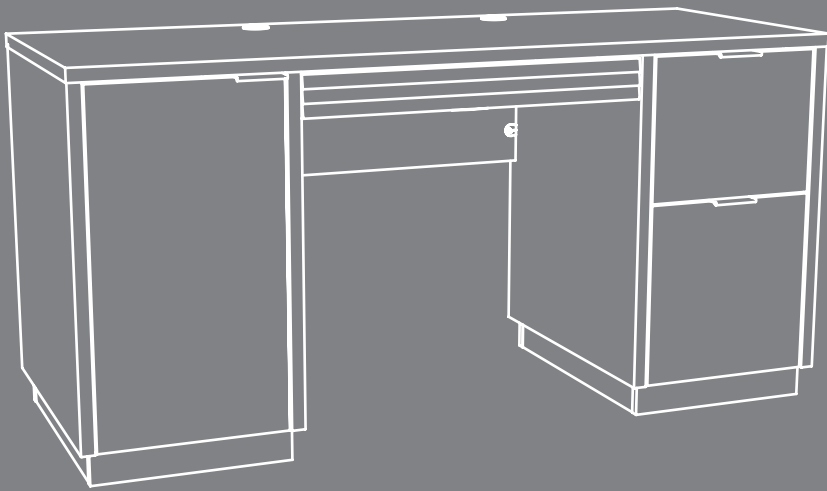


www.teknikoffice.co.uk

Teknik



Sit and surf.

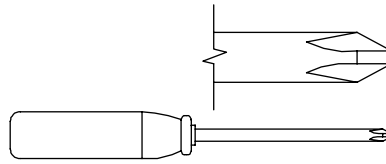
Elstree Executive Desk

Model 5426918

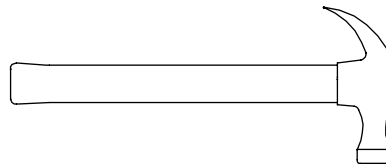
Table of Contents

Assembly Tools Required

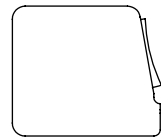
Part Identification	2-3
Hardware Identification	4-5
Assembly Steps	6-46



No. 2 Phillips Screwdriver
Tip Shown Actual Size



Hammer
Not actual size 😊



Tape Measure

Part Identification

↑ Use this part identification to help identify the parts.

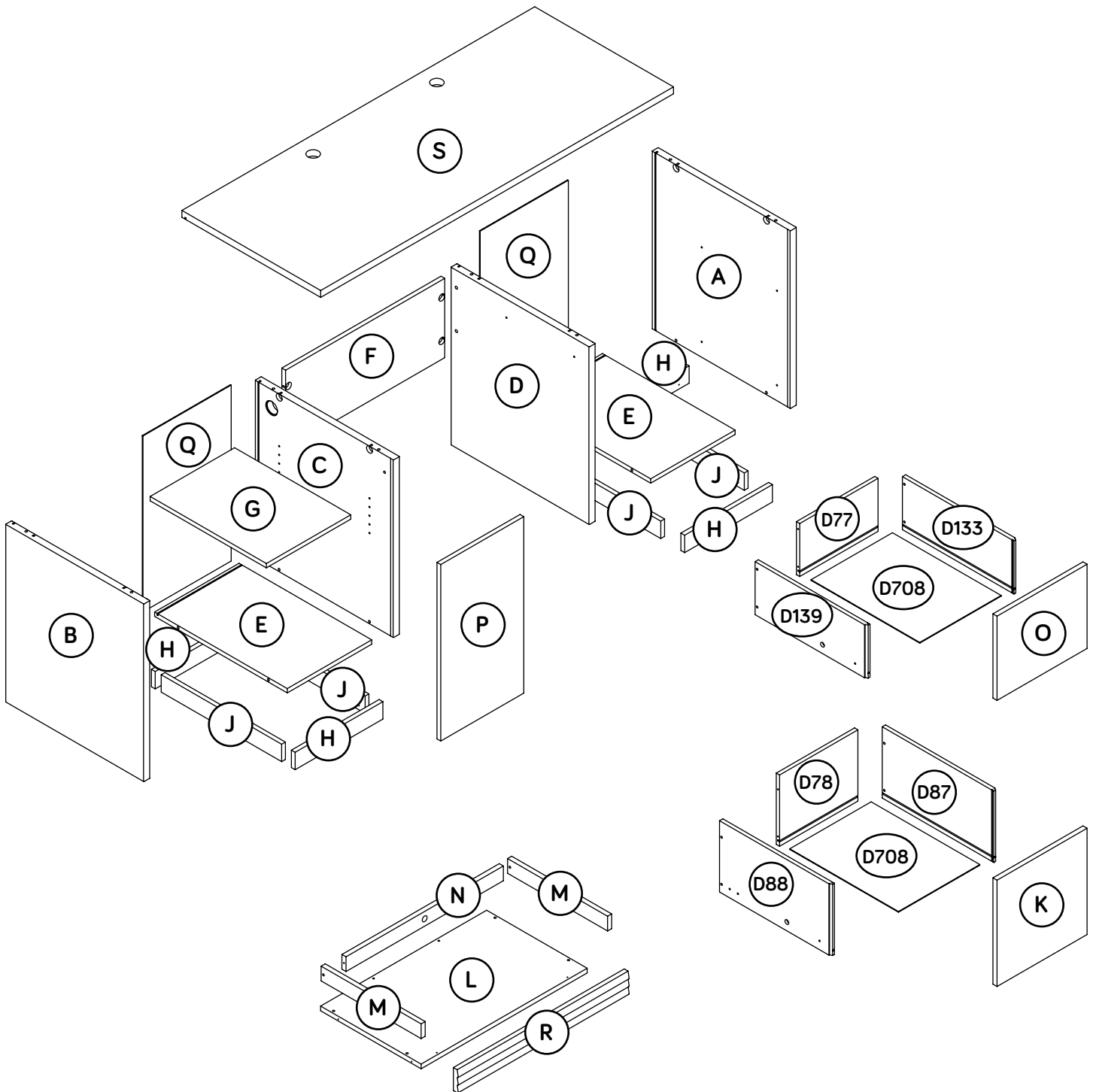
A	RIGHT END (1)	D139	LEFT DRAWER SIDE (1)	M	KEYBOARD SIDE (2)
B	LEFT END (1)	D708	DRAWER BOTTOM (2)	N	KEYBOARD BACK (1)
C	LEFT UPRIGHT (1)	E	BOTTOM (2)	O	DRAWER FRONT (1)
D	RIGHT UPRIGHT (1)	F	MODESTY PANEL (1)	P	DOOR (1)
D77	DRAWER BACK (1)	G	ADJUSTABLE SHELF (1)	Q	BACK (2)
D78	FILE DRAWER BACK (1)	H	SHORT BASE (4)	R	KEYBOARD FRONT (1)
D87	FILE RIGHT DRAWER SIDE (1)	J	LONG BASE (4)	S	TOP (1)
D88	FILE LEFT DRAWER SIDE (1)	K	FILE DRAWER FRONT (1)		
D133	RIGHT DRAWER SIDE (1)	L	KEYBOARD SHELF (1)		

Part Identification

Now you know
our ABCs.

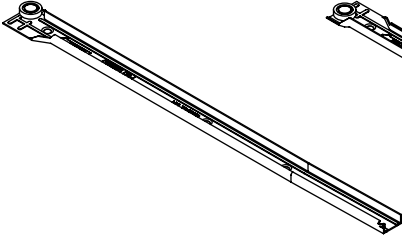


- While not all parts are labeled, some of the parts will have a label or an inked letter on the edge to help distinguish similar parts from each other. Use this part identification to help identify similar parts.

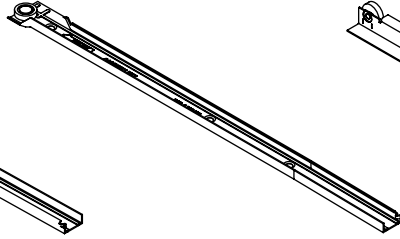


Hardware Identification

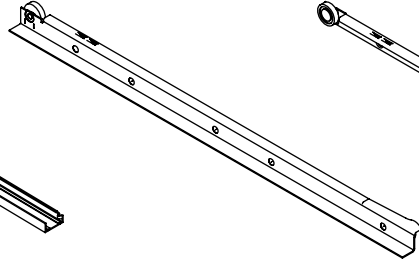
T RIGHT CABINET RAIL - 1



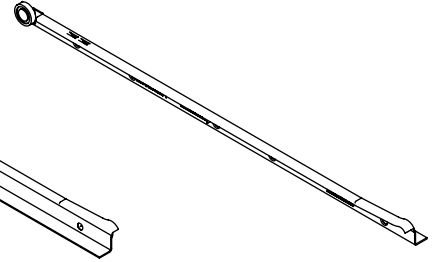
U LEFT CABINET RAIL - 1



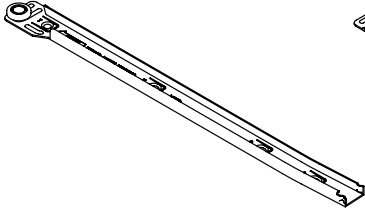
V RIGHT DRAWER SLIDE - 1



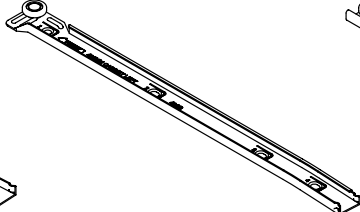
W LEFT DRAWER SLIDE - 1



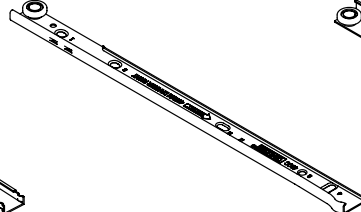
40CA CABINET RIGHT - 1



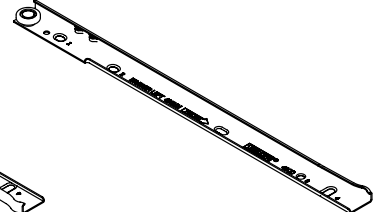
40CB CABINET LEFT - 1



40CC DRAWER RIGHT - 1

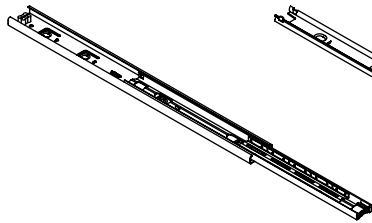


40CD DRAWER LEFT - 1

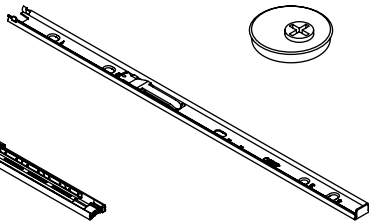


(EXTENSION SET SHOWN SEPARATED)

40MA EXTENSION RAIL - 2



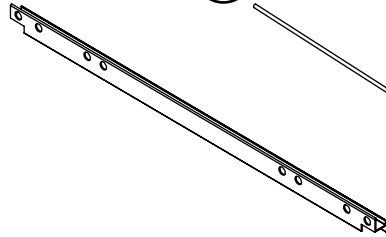
40MC EXTENSION SLIDE - 2



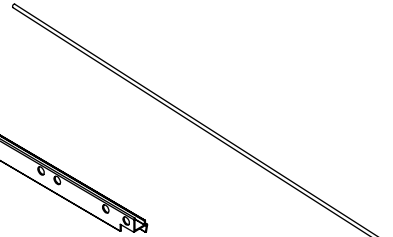
10A SLIDE CAM - 4



6B FILE GLIDE - 2



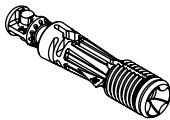
8B FILE ROD - 2



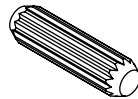
1F HIDDEN CAM - 8



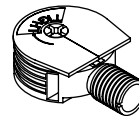
2F CAM DOWEL - 8



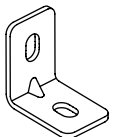
15F WOOD DOWEL - 8



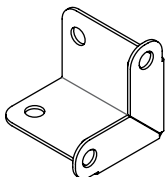
36F TWIST-LOCK® FASTENER - 12



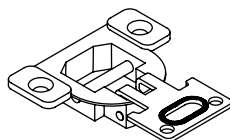
4G METAL BRACKET - 4



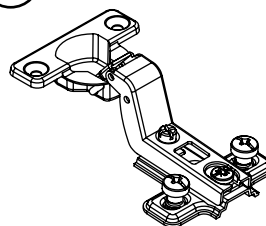
31G CORNER BRACKET - 8



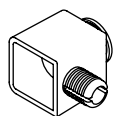
12H KEYBOARD HINGE - 2



14H HINGE - 2



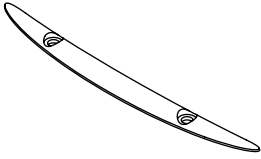
4I DOOR STOP - 1



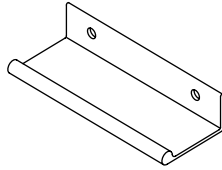
Hardware Identification

⚠ Screws are shown actual size. You may receive extra hardware with your unit.

21K KEYBOARD PULL - 1



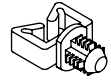
189K PULL - 3



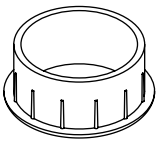
1P GROMMET CAP - 3



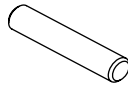
4P CORD CLIP - 2



10P GROMMET - 4



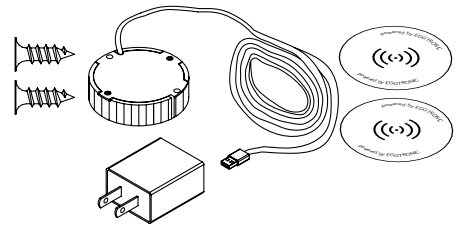
1R METAL PIN - 4



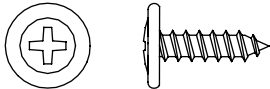
2R RUBBER SLEEVE - 4



HIDDEN WIRELESS Qi COMPATIBLE CHARGER by EGGTRONIC - Item 425905 (sold separately)



1S BLACK 9/16" LARGE HEAD SCREW - 62



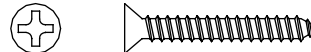
3S GOLD 5/16" FLAT HEAD SCREW - 20



11S BLACK 1/2" FLAT HEAD SCREW - 4



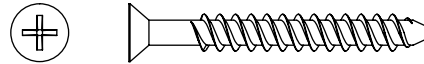
18S BROWN 1" FLAT HEAD SCREW - 4



23S SILVER 5/8" FLAT HEAD SCREW - 4



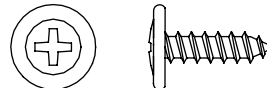
30S BLACK 1-9/16" FLAT HEAD SCREW - 8



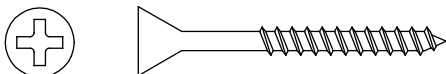
51S BLACK 9/16" PAN HEAD SCREW - 2



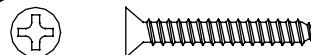
54S SILVER 9/16" LARGE HEAD SCREW - 2



55S BROWN 1-5/8" FLAT HEAD SCREW - 6



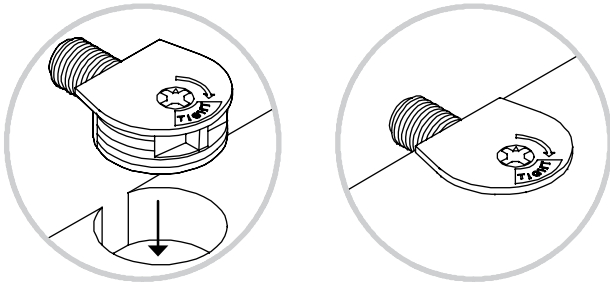
133S BLACK 1" FLAT HEAD SCREW - 2



Hardware Usage Guide

HOW TO USE A TWIST-LOCK® FASTENER

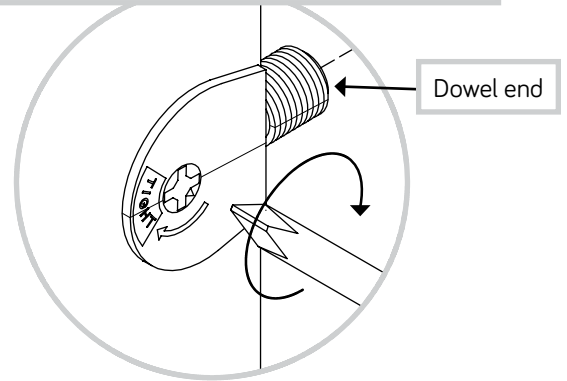
1. Push a TWIST-LOCK® FASTENER into the large hole in the part.



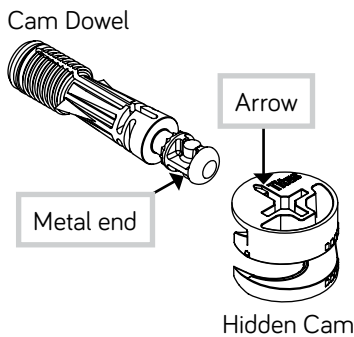
2. 1. Insert the dowel end of the FASTENER into the hole of the adjoining part.

NOTE: The dowel end of the FASTENER must remain fully inserted in the hole of the adjoining part while locking the FASTENER.

2. Tighten the FASTENER with a Phillips screwdriver as tight as possible.

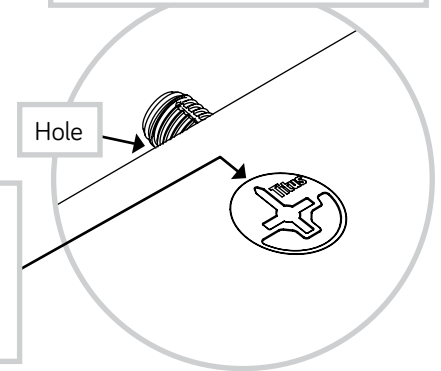


HOW TO USE A HIDDEN CAM & CAM DOWEL

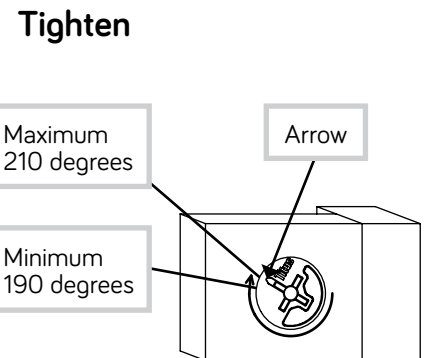
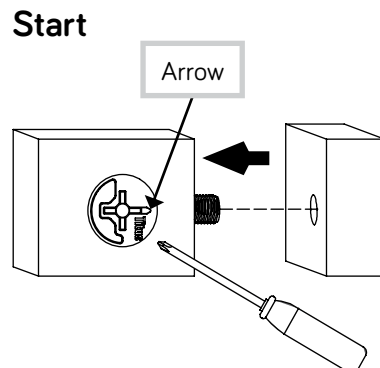


2. Insert the metal end of the CAM DOWEL into the HIDDEN CAM.

1. Push a HIDDEN CAM into the part. The arrow in the HIDDEN CAM must point toward the hole in the edge of the board.



3. **Caution**
Risk of damage or injury. HIDDEN CAMS must be completely tightened. HIDDEN CAMS that are not completely tightened may loosen, and parts may separate. To completely tighten:



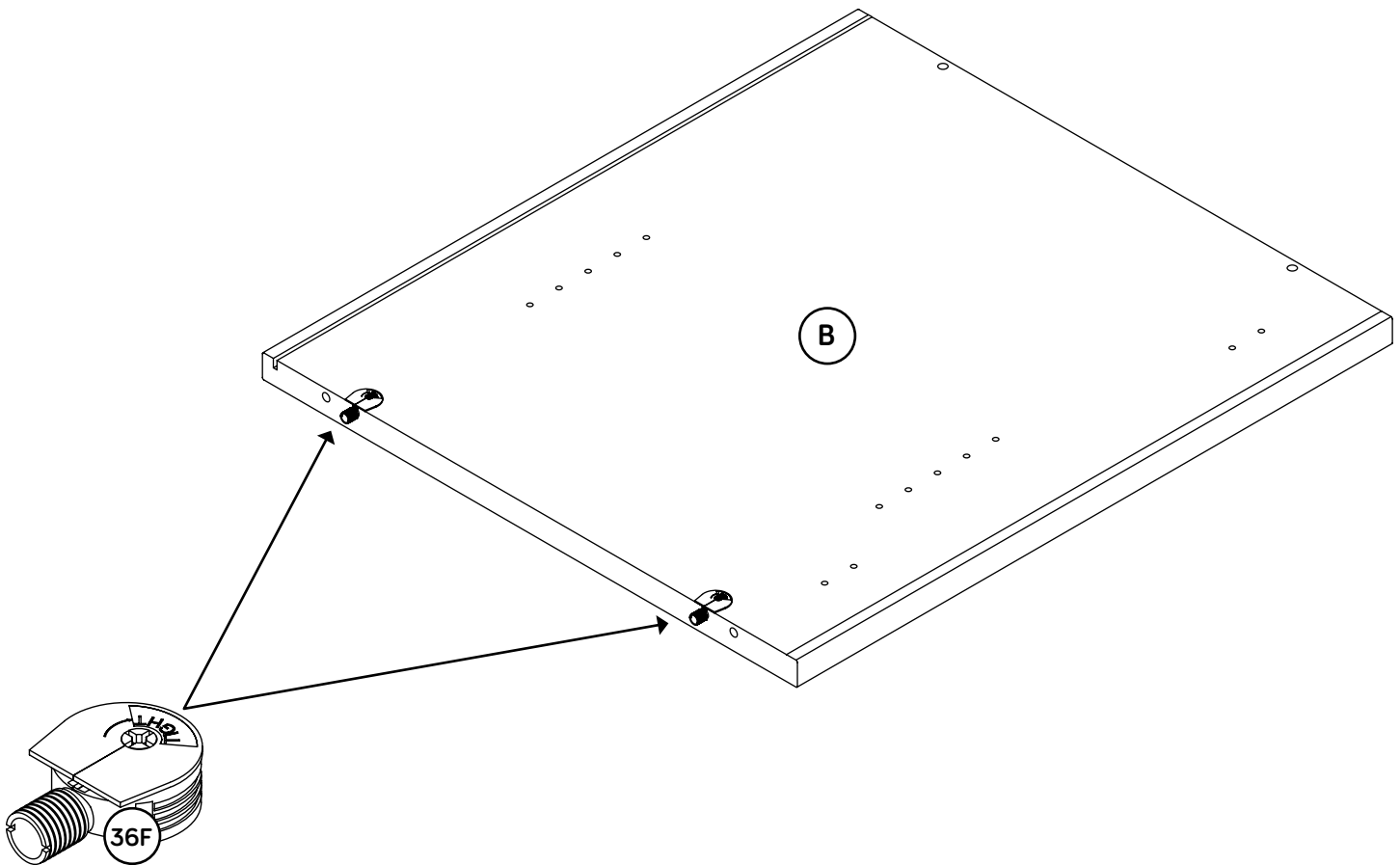
Step 1

- ✚ Assemble your unit on a carpeted floor or on the empty carton to avoid scratching your unit or the floor.
- ✚ Push two TWIST-LOCK® FASTENERS (36F) into the large holes in the LEFT END (B)



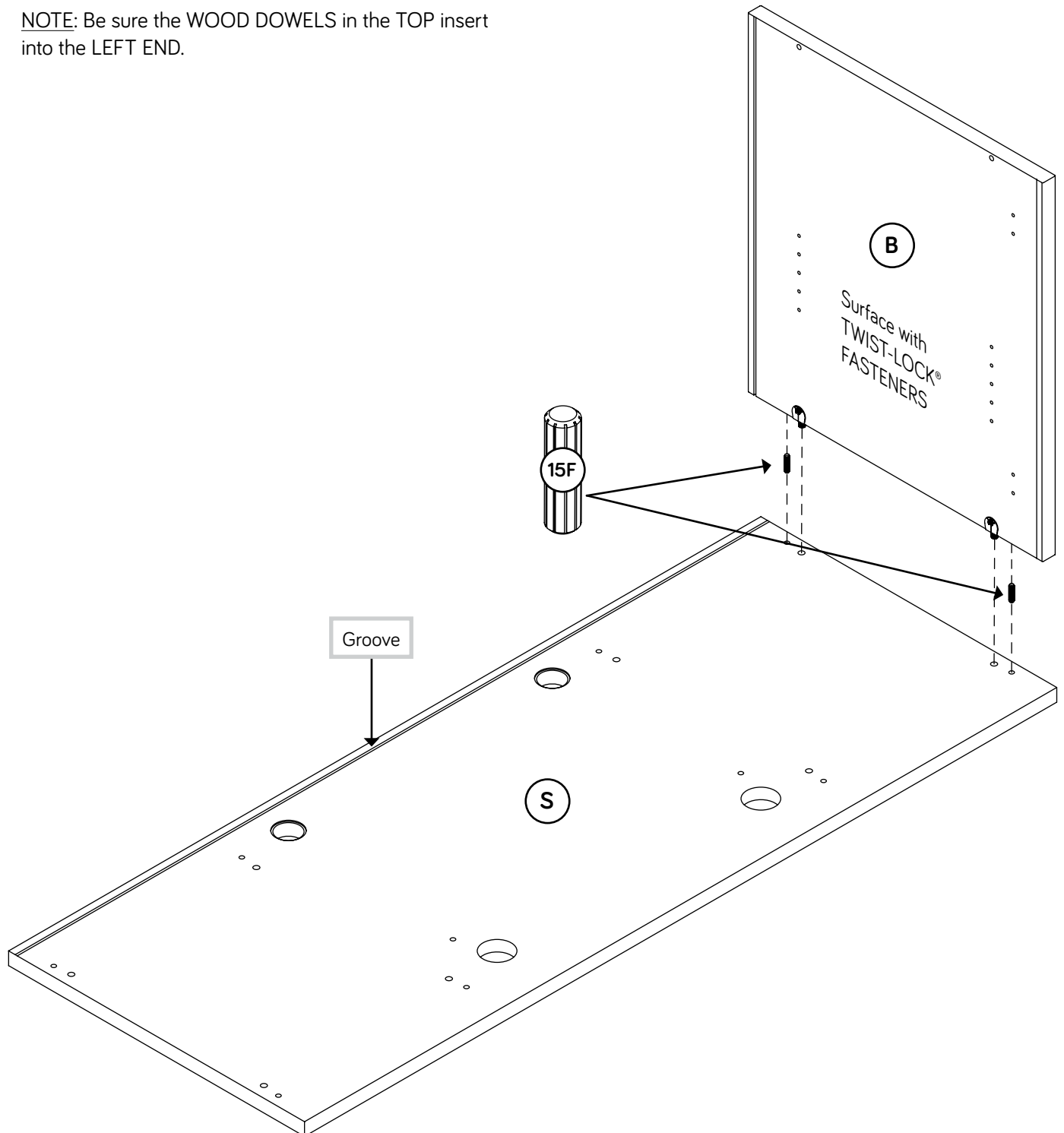
Some assembly
(and snacks) required.

Do not tighten the TWIST-LOCK® FASTENERS in this step.



Step 2

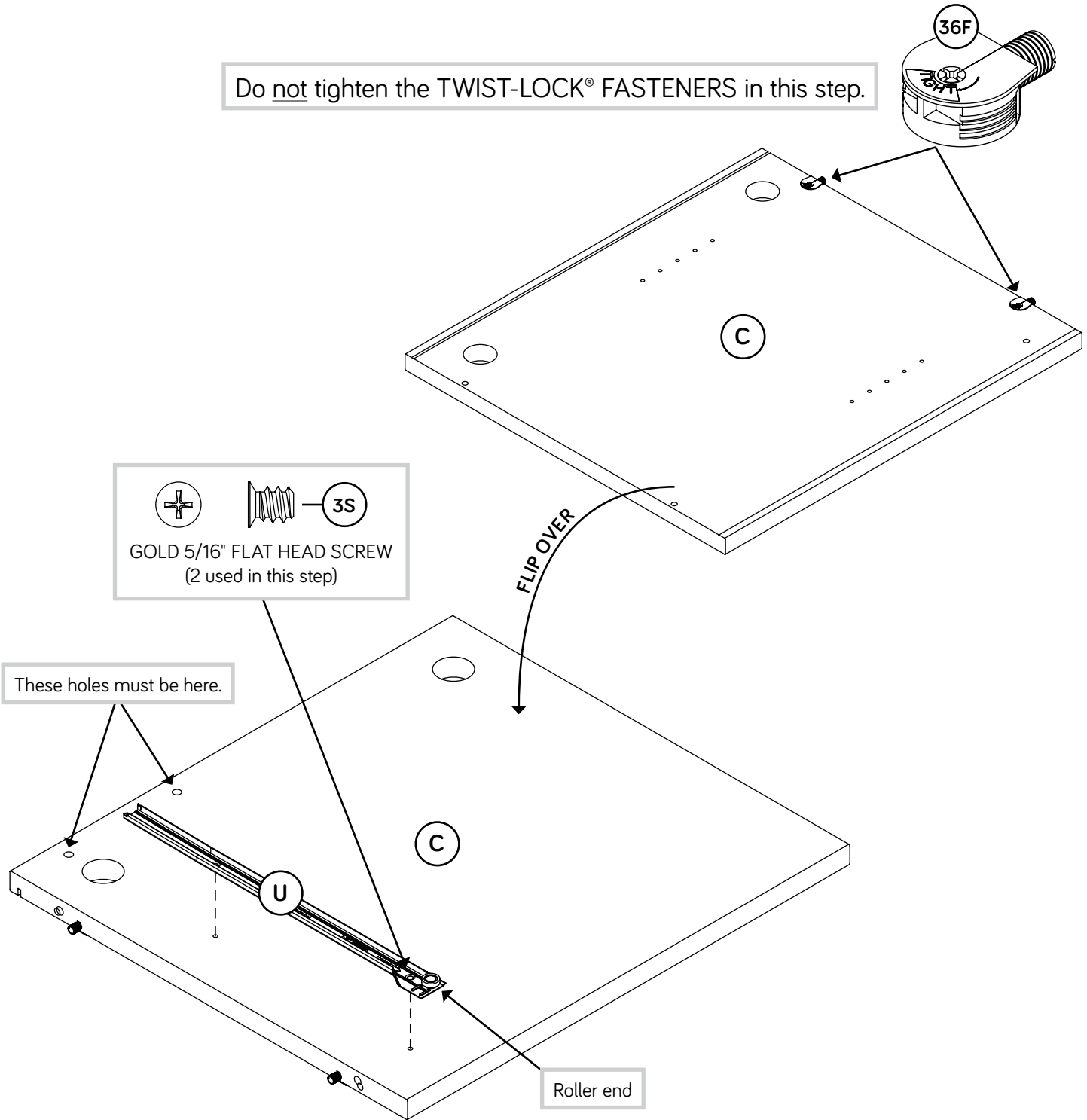
- ✚ Insert two WOOD DOWELS (15F) into the TOP (S).
- ✚ Fasten the LEFT END (B) to the TOP (S). Tighten two TWIST-LOCK® FASTENERS.
- ✚ NOTE: Be sure the WOOD DOWELS in the TOP insert into the LEFT END.



Step 3

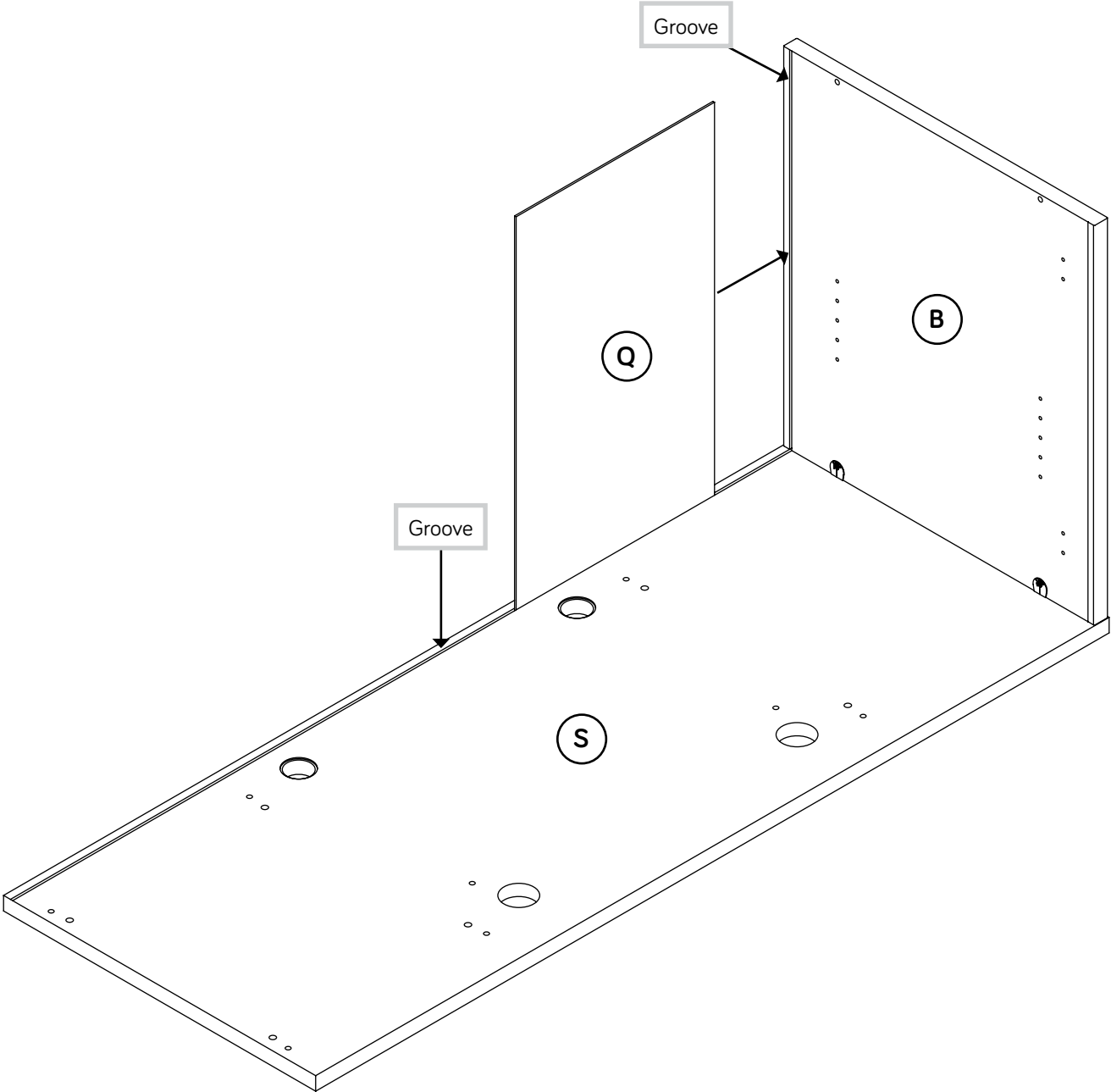
- ✚ Push two TWIST-LOCK® FASTENERS (36F) into the large holes in the LEFT UPRIGHT (C).
- ✚ Fasten the LEFT CABINET RAIL (U) to the LEFT UPRIGHT (C). Use two GOLD 5/16" FLAT HEAD SCREWS (3S).

Do not tighten the TWIST-LOCK® FASTENERS in this step.



Step 4

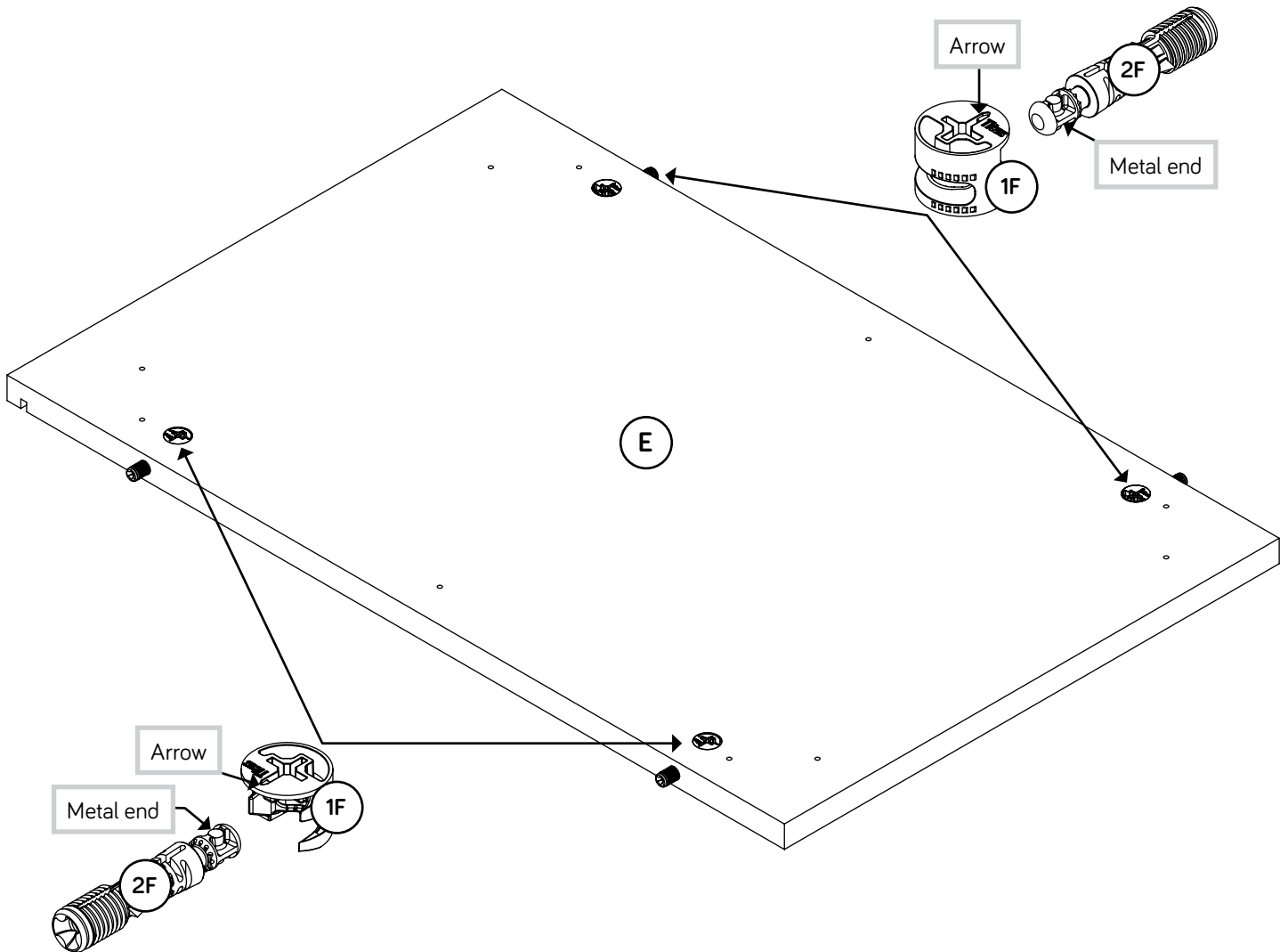
Slide a BACK (Q) into the grooves in the LEFT END (B) and TOP (S).



Step 5

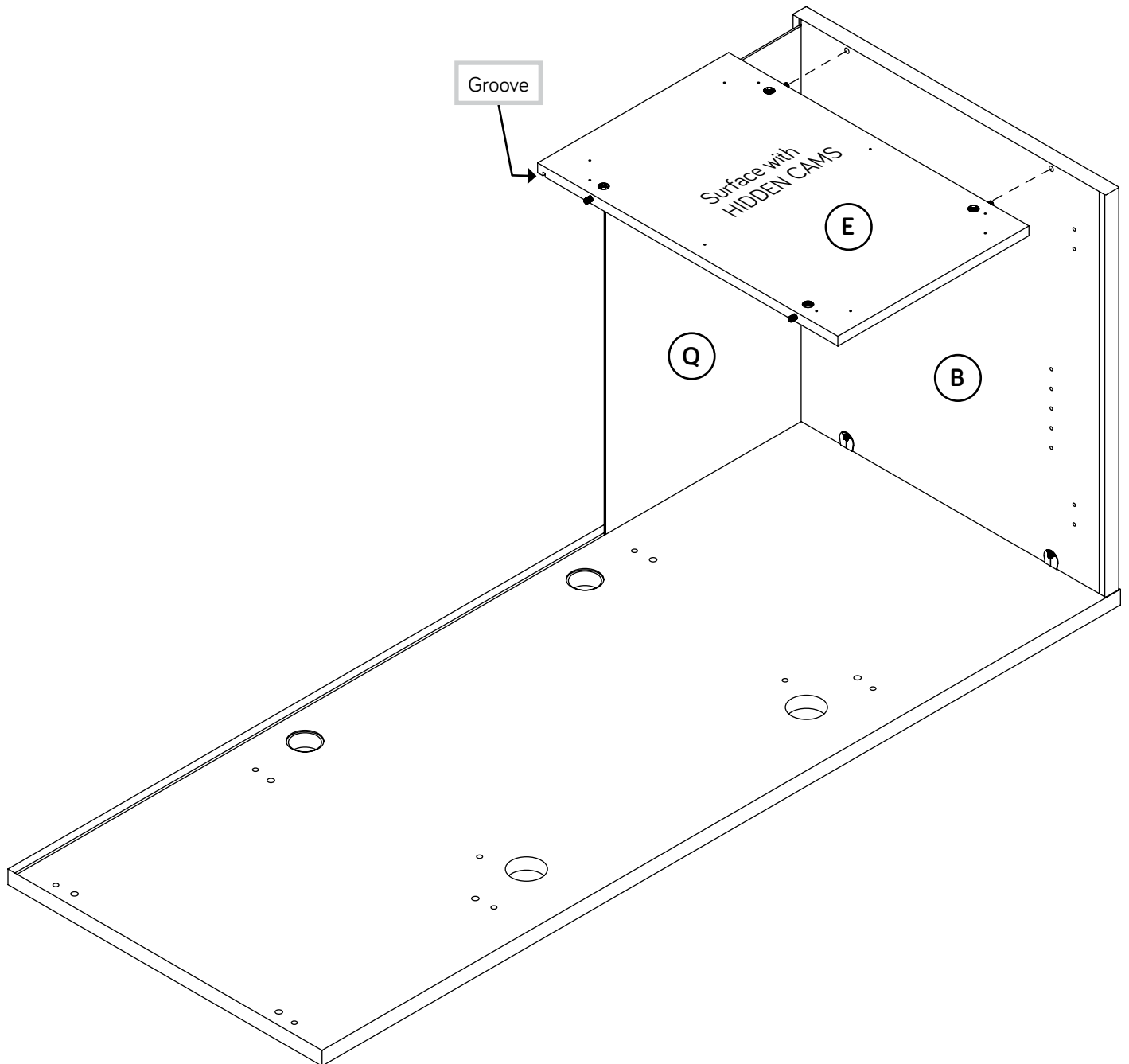
- Push four HIDDEN CAMS (1F) into a BOTTOM (E).
Then, insert the metal end of a CAM DOWEL (2F) into each HIDDEN CAM.

Do not tighten the HIDDEN CAMS in this step.



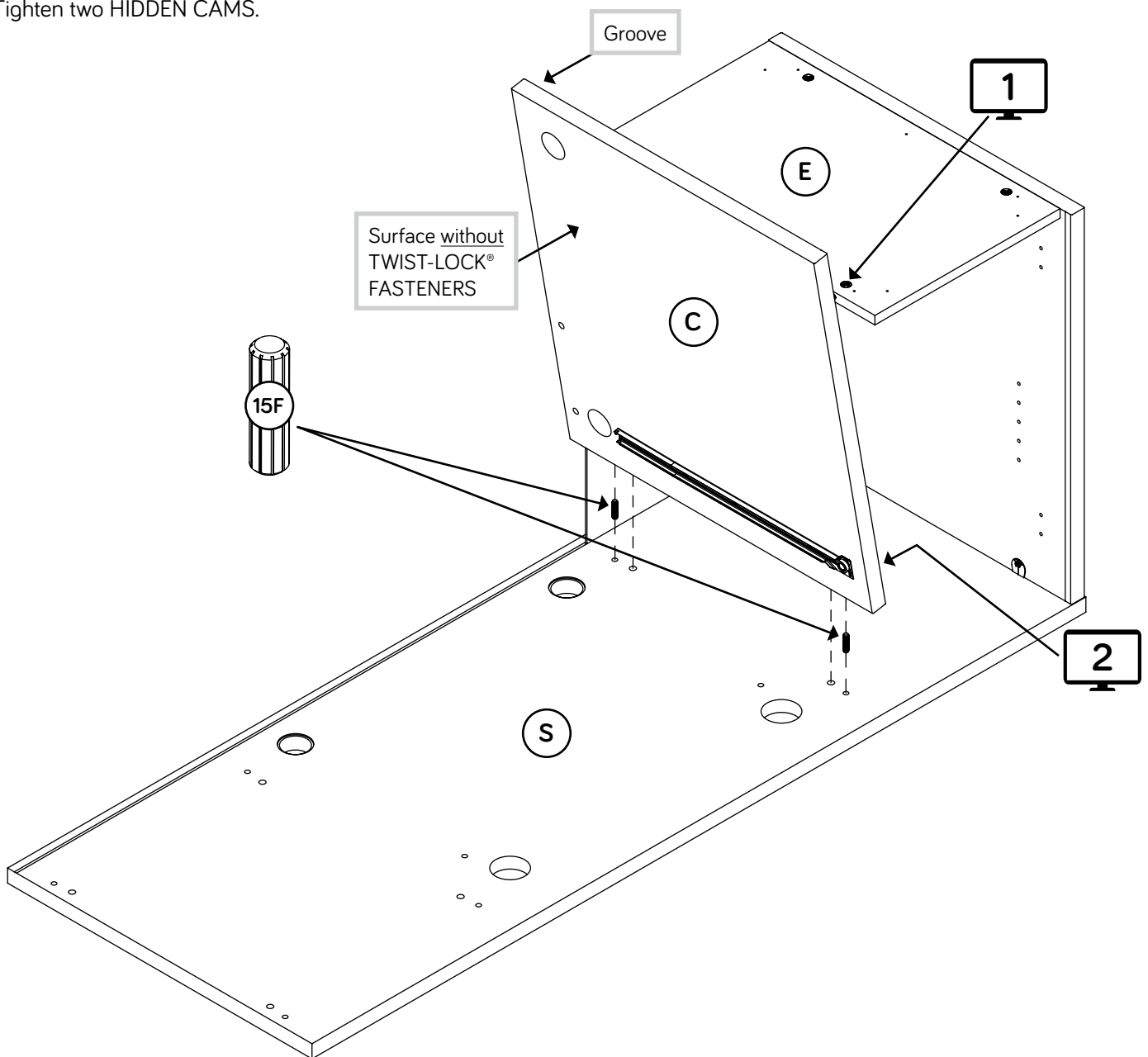
Step 6

- ✚ Fasten the BOTTOM (E) to the LEFT END (B).
Tighten two HIDDEN CAMS.
- ✚ NOTE: Be sure the BACK (Q) inserts into the groove in the BOTTOM.



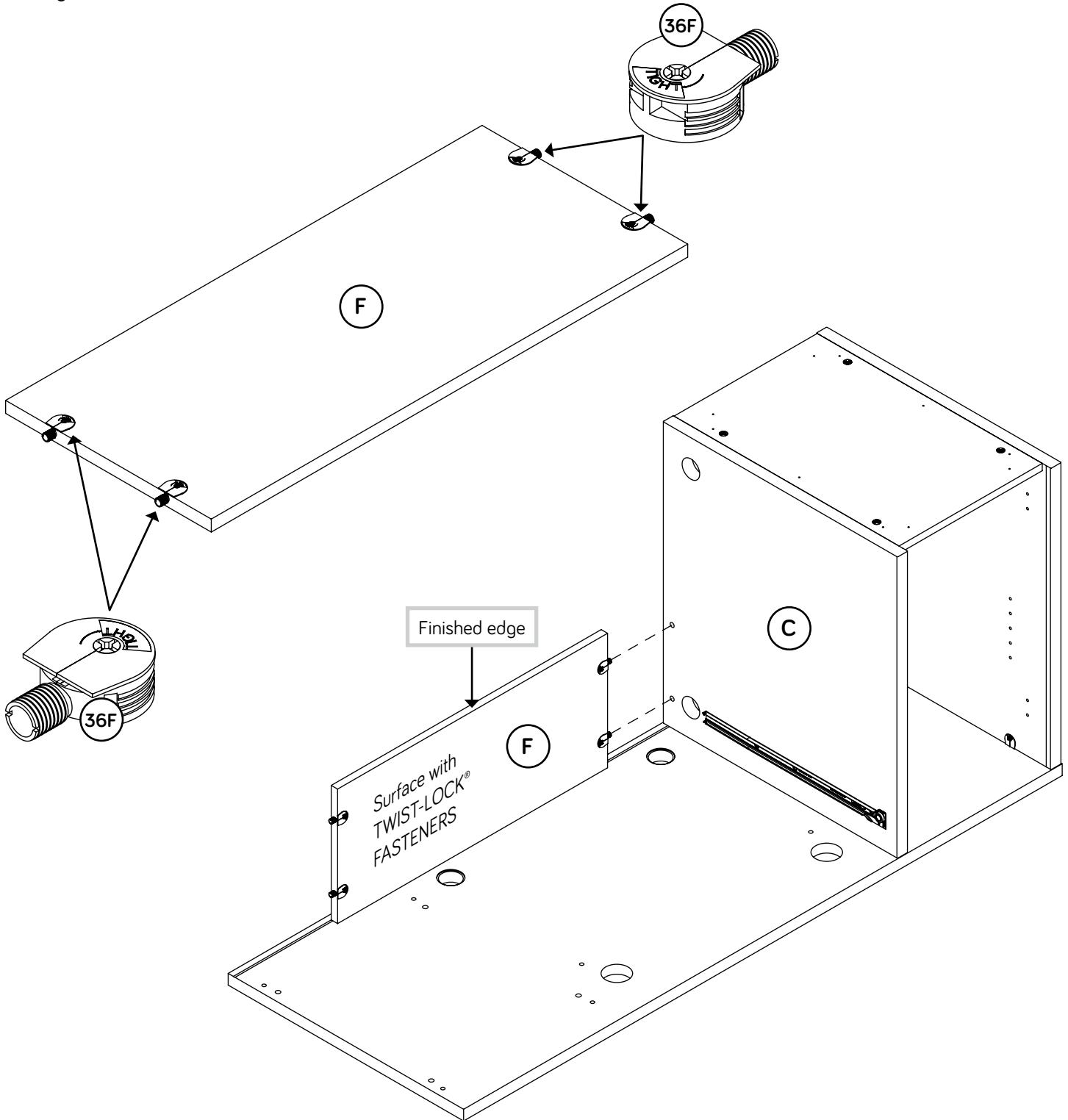
Step 7

- ✚ Insert two WOOD DOWELS (15F) into the TOP (S).
- ✚ Fasten the LEFT UPRIGHT (C) to the TOP (S). Tighten two TWIST-LOCK® FASTENERS.
- ✚ NOTE: Be sure the WOOD DOWELS in the TOP insert into the LEFT UPRIGHT.
- ✚ NOTE: Be sure the BACK inserts into the groove in the LEFT UPRIGHT.
- ✚ Fasten the LEFT UPRIGHT (C) to the BOTTOM (E). Tighten two HIDDEN CAMS.



Step 8

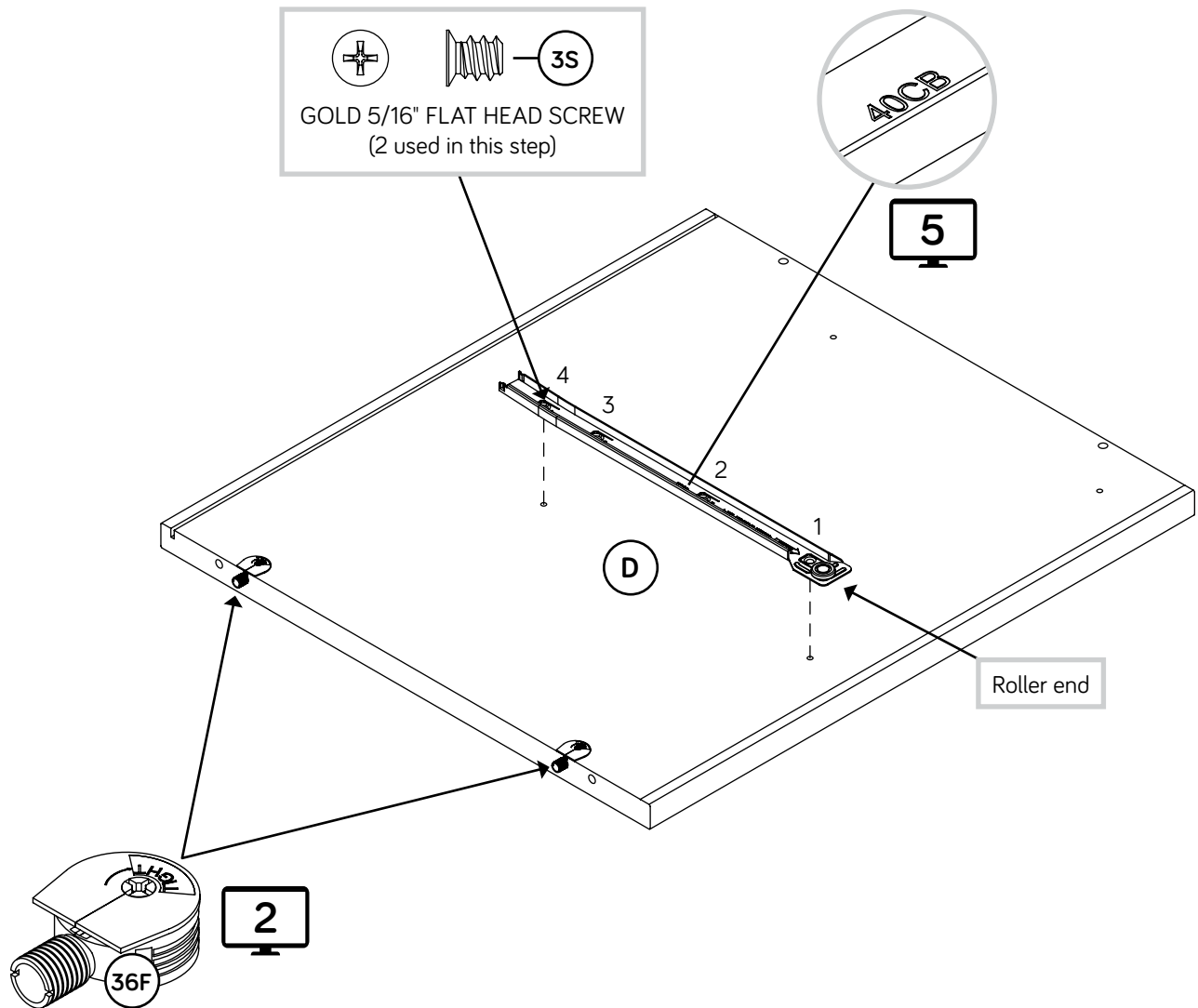
- ✚ Push four TWIST-LOCK® FASTENERS (36F) into the large holes in the MODESTY PANEL (F).
- ✚ Fasten the MODESTY PANEL (F) to the LEFT UPRIGHT (C). Tighten two TWIST-LOCK® FASTENERS.



Step 9

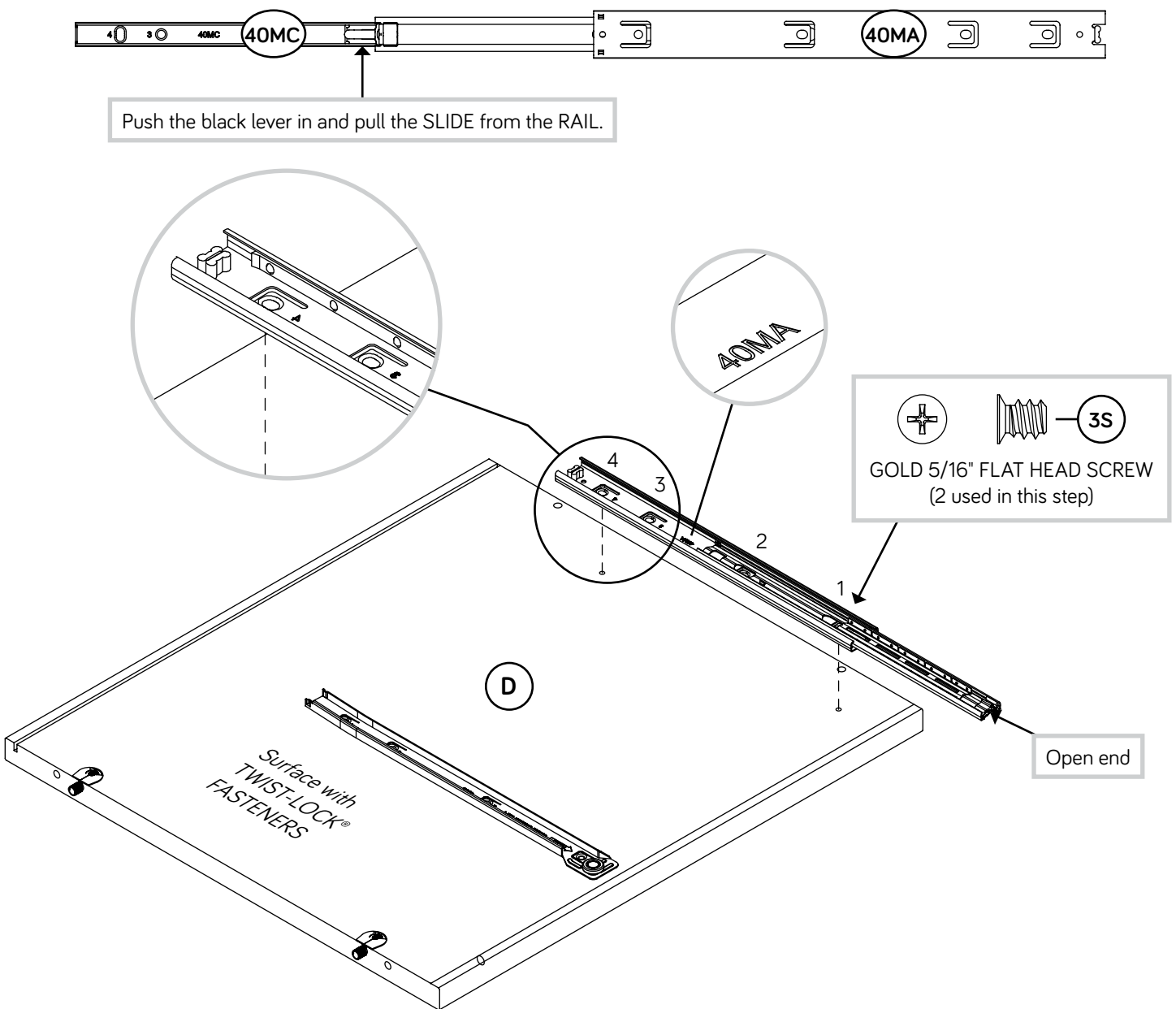
- ✚ Push two TWIST-LOCK® FASTENERS (36F) into the large holes in the RIGHT UPRIGHT (D)
- ✚ Fasten the CABINET LEFT (40CB) to the RIGHT UPRIGHT (D). Use two GOLD 5/16" FLAT HEAD SCREWS (3S) through holes #1 and #4.

Do not tighten the TWIST-LOCK® FASTENERS in this step.



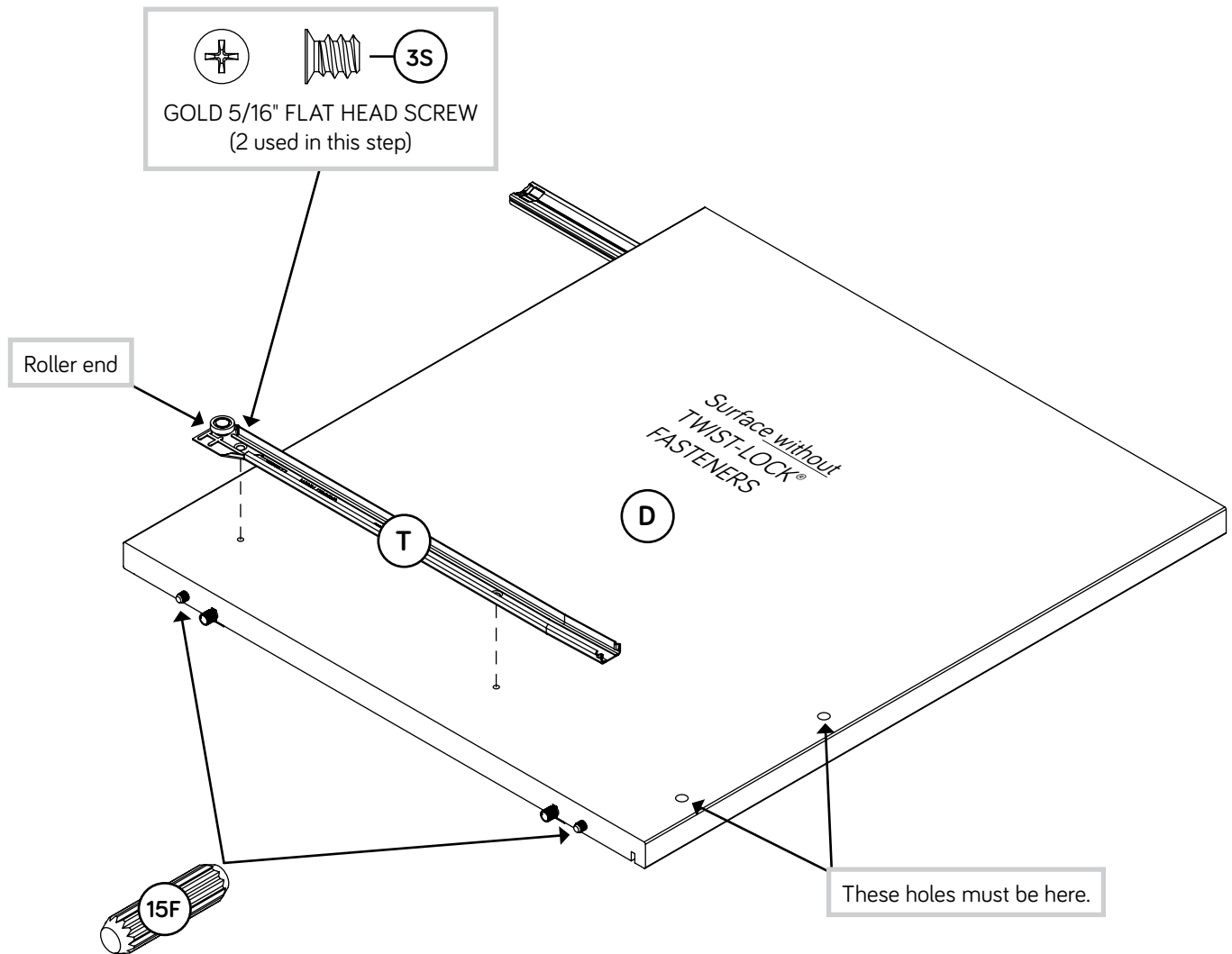
Step 10

- ✚ Separate the EXTENSION SLIDES (40MC) from the EXTENSION RAILS (40MA) as shown in the upper diagram below. Be prepared, the parts are greasy.
- ✚ Fasten one EXTENSION RAIL (40MA) to the RIGHT UPRIGHT (D). Use two GOLD 5/16" FLAT HEAD SCREWS (3S) through holes #1 and #4.
- ✚ NOTE: For each EXTENSION RAIL, turn a SCREW into the hole shown in the enlarged diagram. Then, slide the inner cartridge of the EXTENSION RAIL in to find the other hole that lines up with the hole in the UPRIGHT. Turn a SCREW into this hole.
- ✚ NOTE: The EXTENSION SLIDES will be used later for the FILE DRAWER.



Step 11

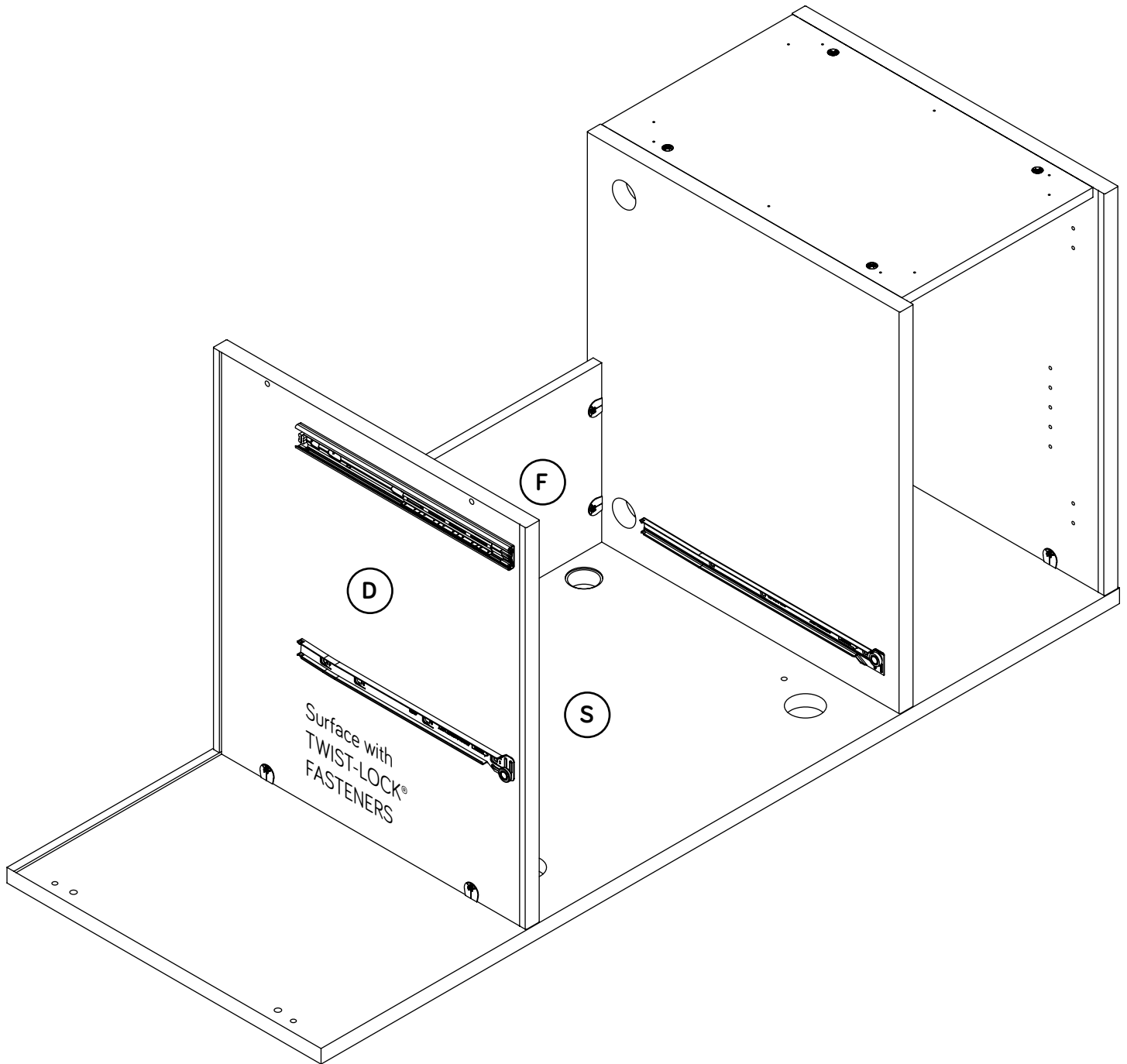
- ✚ Carefully turn the RIGHT UPRIGHT (D) over.
- ✚ Fasten the RIGHT CABINET RAIL (T) to the RIGHT UPRIGHT (D). Use two GOLD 5/16" FLAT HEAD SCREWS (3S).
- ✚ Insert two WOOD DOWELS (15F) into the edge of the RIGHT UPRIGHT (D).



Step 12

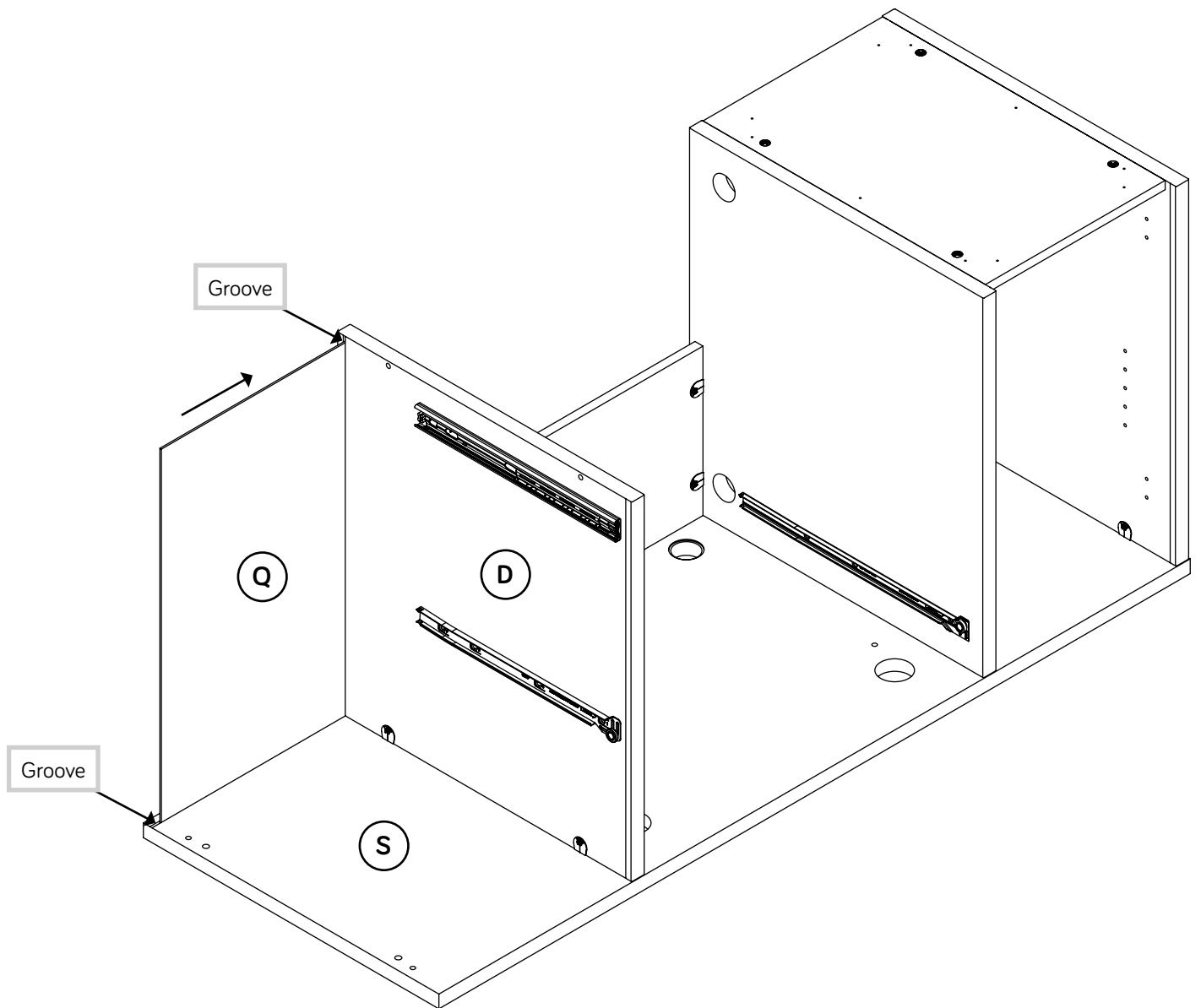
✚ Fasten the RIGHT UPRIGHT (D) to the TOP (S) and MODESTY PANEL (F). Tighten four TWIST-LOCK® FASTENERS.

✚ NOTE: Be sure the WOOD DOWELS in the RIGHT UPRIGHT insert into the TOP.



Step 13

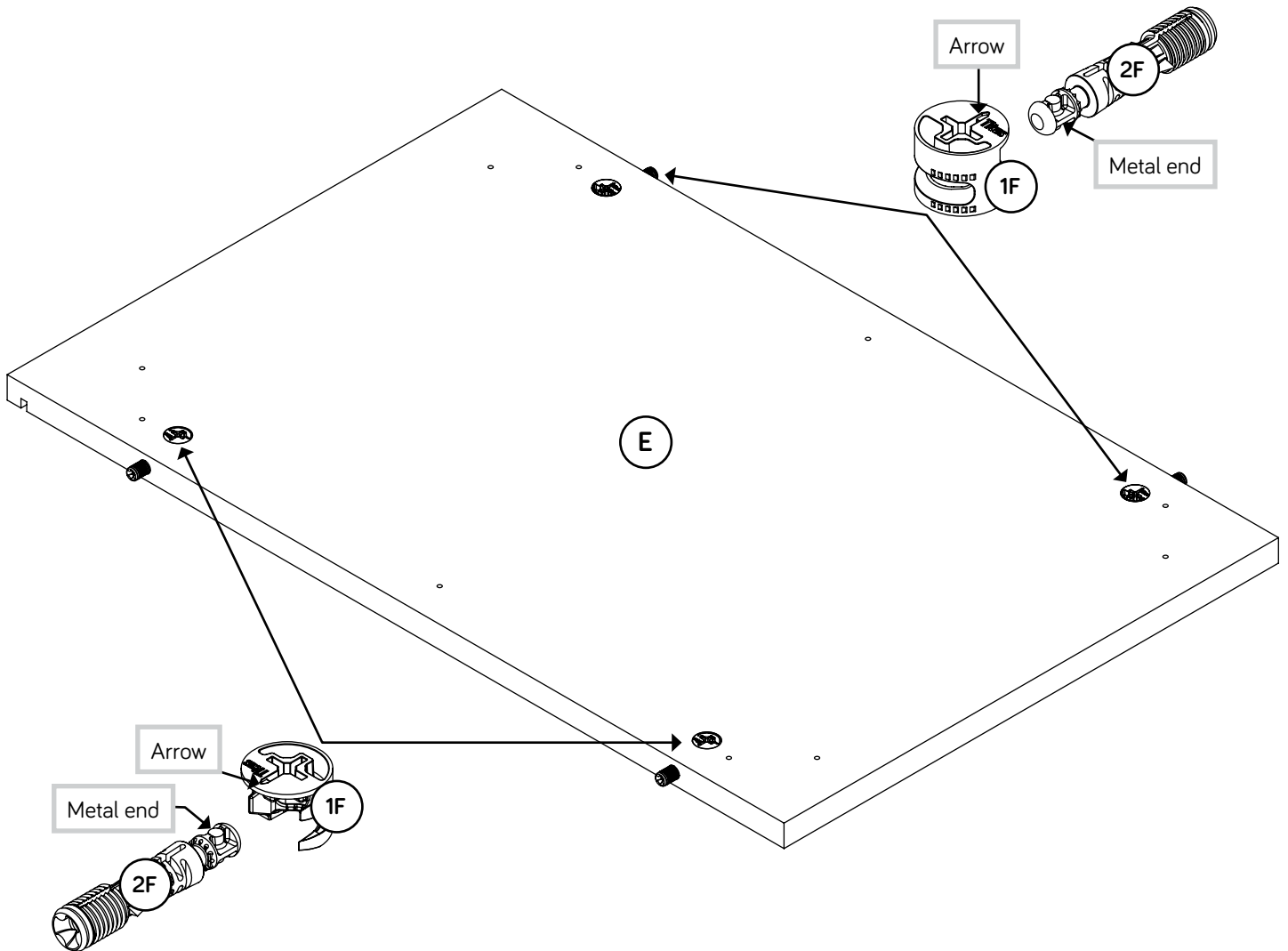
- Slide the remaining BACK (Q) into the grooves in the RIGHT UPRIGHT (D) and TOP (S).



Step 14

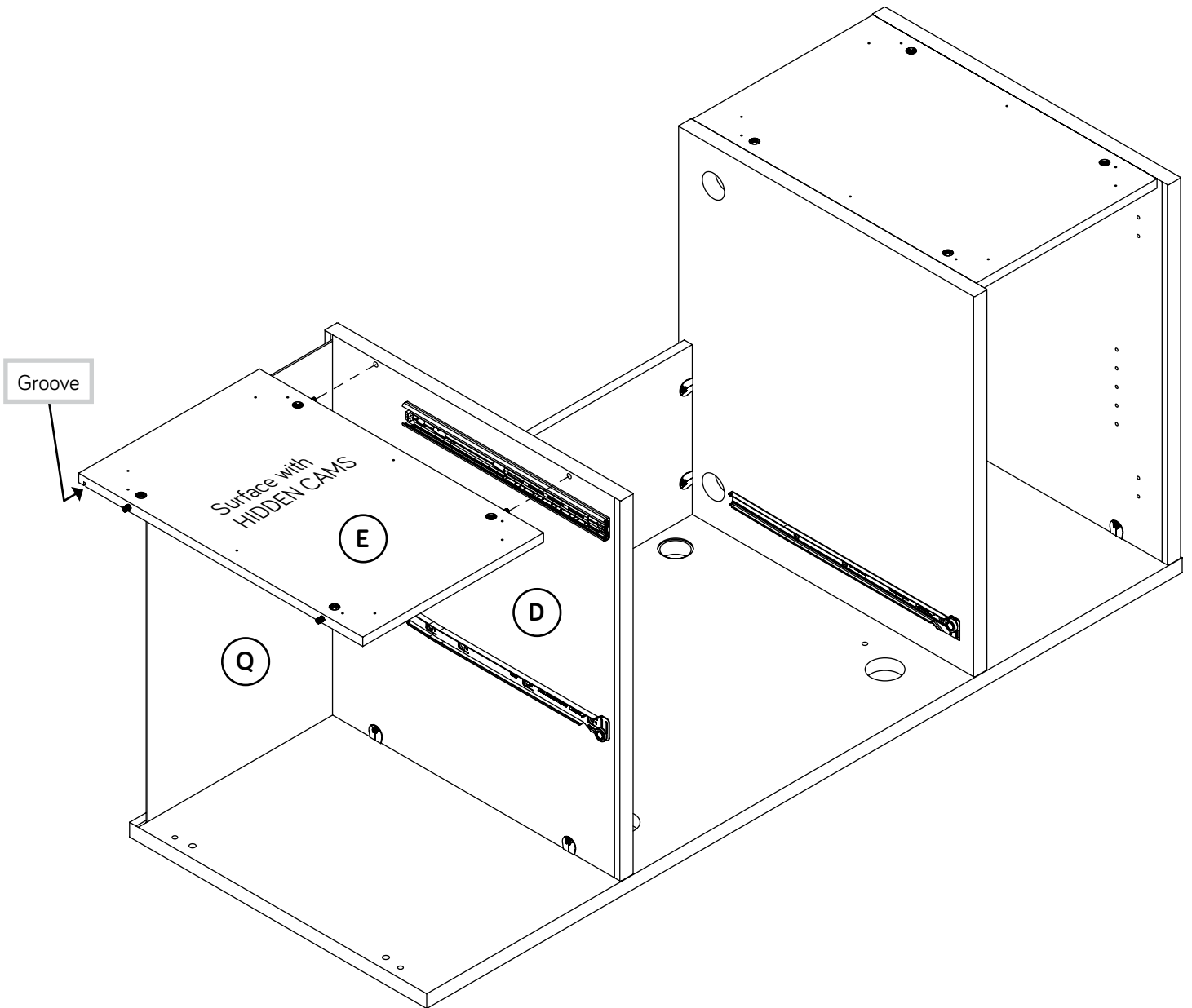
- Push four HIDDEN CAMS (1F) into the remaining BOTTOM (E). Then, insert the metal end of a CAM DOWEL (2F) into each HIDDEN CAM.

Do not tighten the HIDDEN CAMS in this step.



Step 15

- ✚ Fasten the BOTTOM (E) to the RIGHT UPRIGHT (D).
Tighten two HIDDEN CAMS.
- ✚ NOTE: Be sure the BACK (Q) inserts into the groove in the BOTTOM.

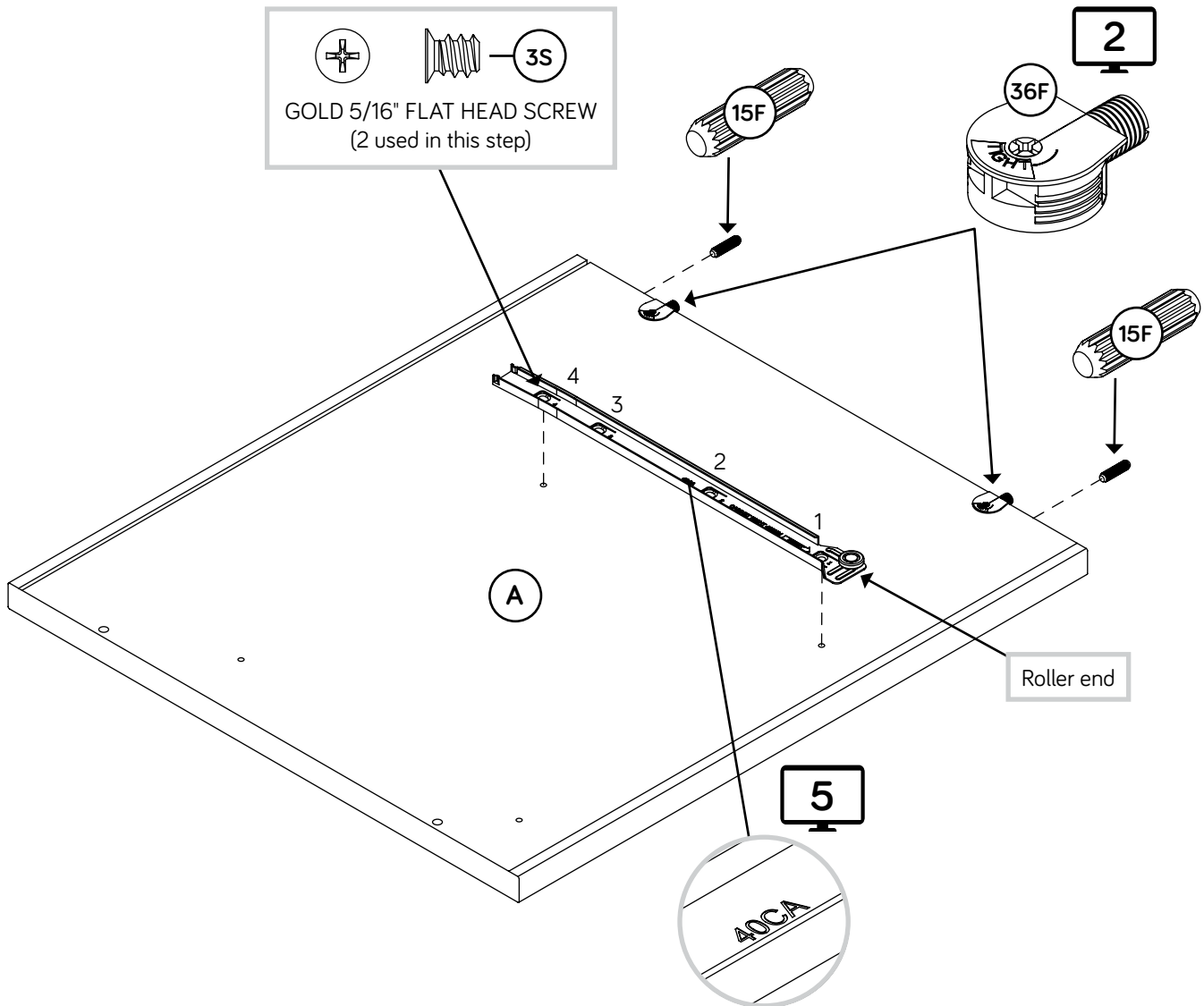


Step 16

- ✚ Push two TWIST-LOCK® FASTENERS (36F) into the large holes in the RIGHT END (A).
- ✚ Insert two WOOD DOWELS (15F) into the RIGHT END (A).
- ✚ Fasten the CABINET RIGHT (40CA) to the RIGHT END (A). Use two GOLD 5/16" FLAT HEAD SCREWS (3S) through holes #1 and #4.



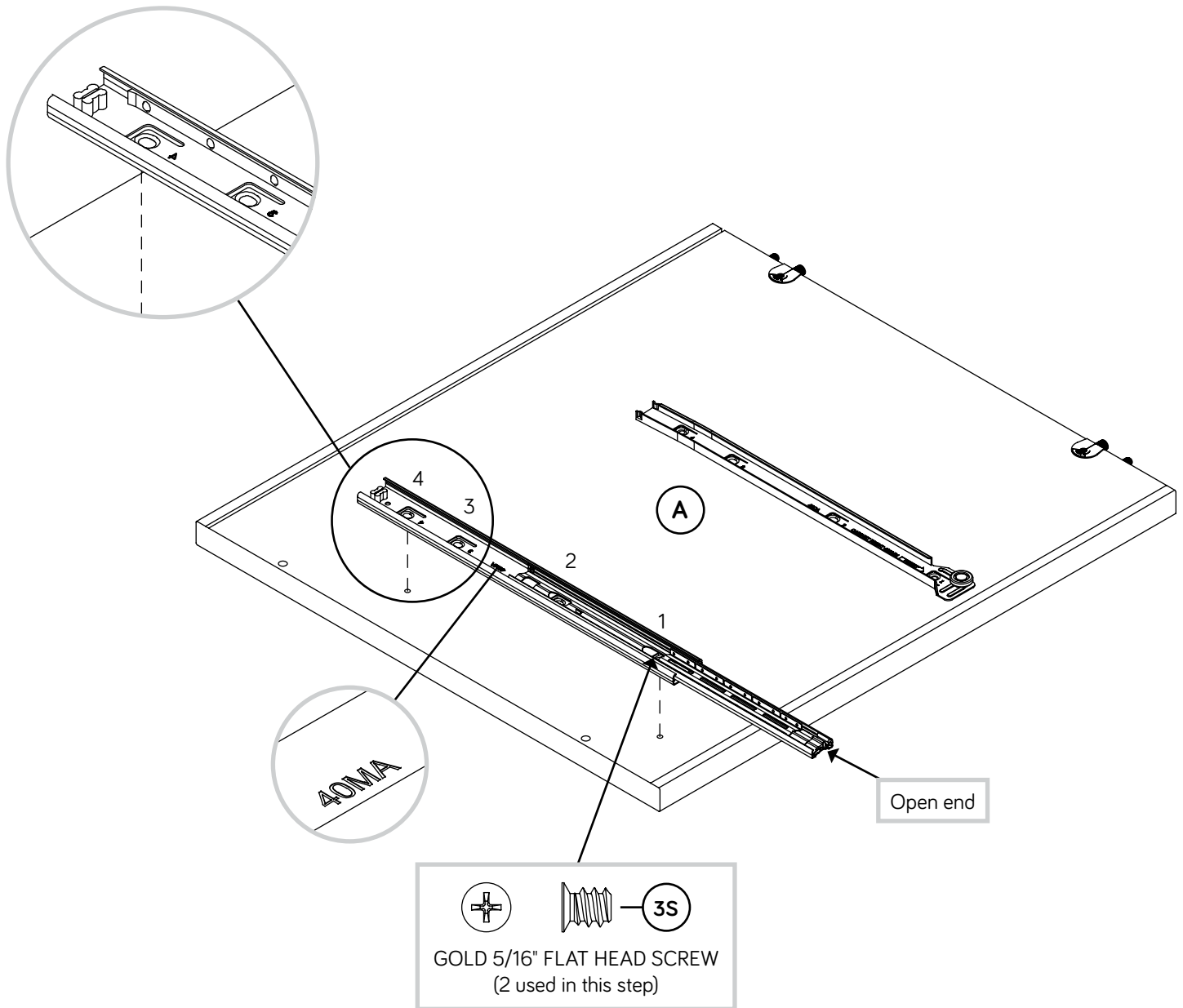
Do not tighten the TWIST-LOCK® FASTENERS in this step.



Step 17

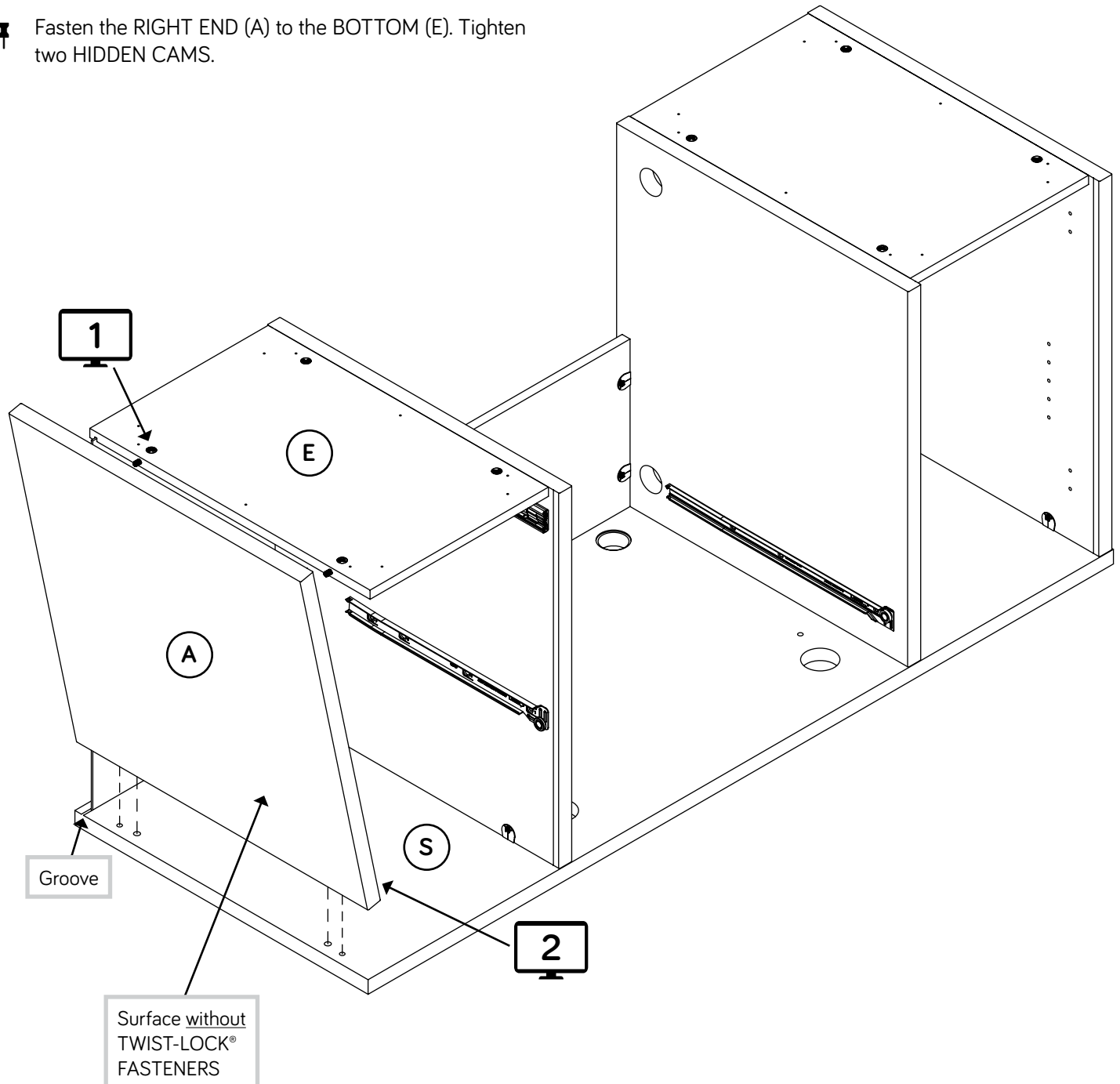
✚ Fasten the remaining EXTENSION RAIL (40MA) to the RIGHT END (A).
Use two GOLD 5/16" FLAT HEAD SCREWS (3S) through holes #1 and #4.

✚ NOTE: For each EXTENSION RAIL, turn a SCREW into the hole shown in the enlarged diagram. Then, slide the inner cartridge of the EXTENSION RAIL in to find the other hole that lines up with the hole in the END. Turn a SCREW into this hole.



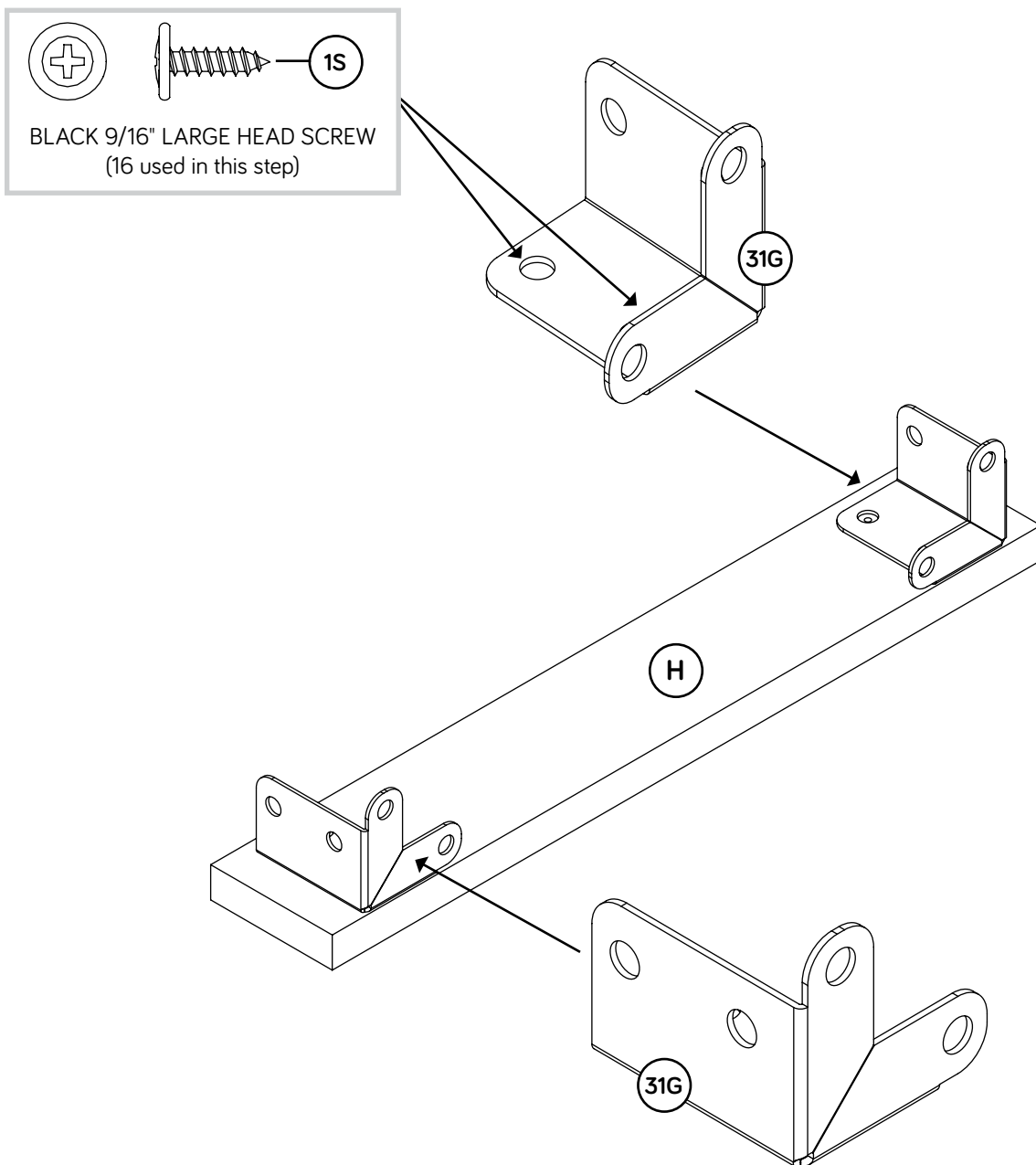
Step 18

- ✚ Fasten the RIGHT END (A) to the TOP (S). Tighten two TWIST-LOCK® FASTENERS.
- ✚ NOTE: Be sure the WOOD DOWELS in the RIGHT END insert into the TOP.
- ✚ NOTE: Be sure the BACK inserts into the groove in the RIGHT END.
- ✚ Fasten the RIGHT END (A) to the BOTTOM (E). Tighten two HIDDEN CAMS.



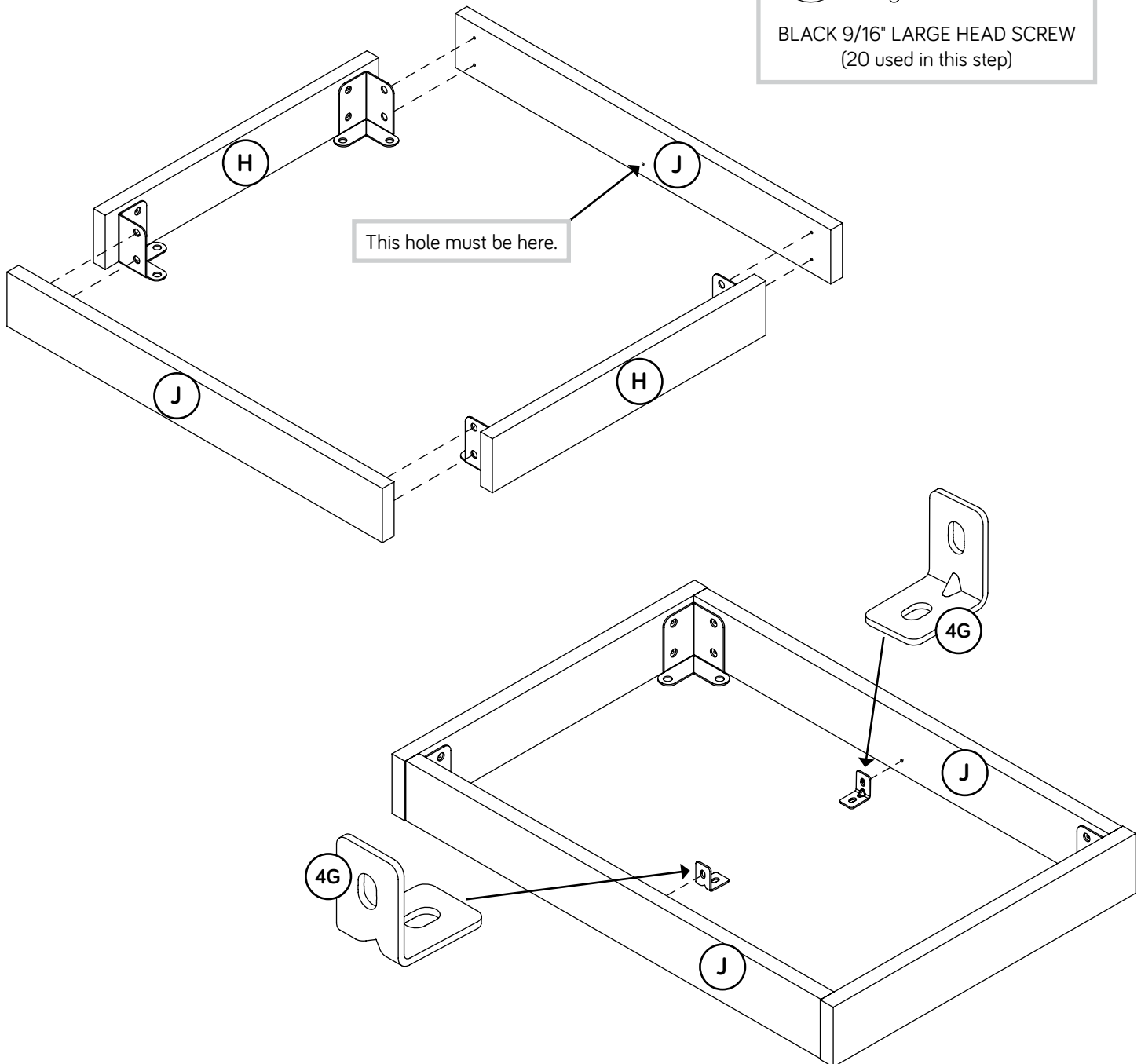
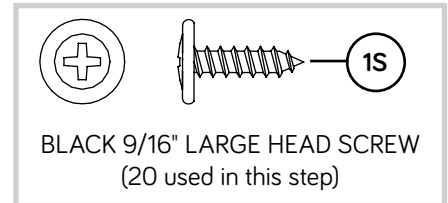
Step 19

- ✚ Fasten two CORNER BRACKETS (31G) to one SHORT BRACE (H) exactly as shown. Use four BLACK 9/16" LARGE HEAD SCREWS (1S).
- ✚ NOTE: Be sure the BRACKETS are even with the edge of the BASE.
- ✚ Repeat this step for the remaining SHORT BASES (H).



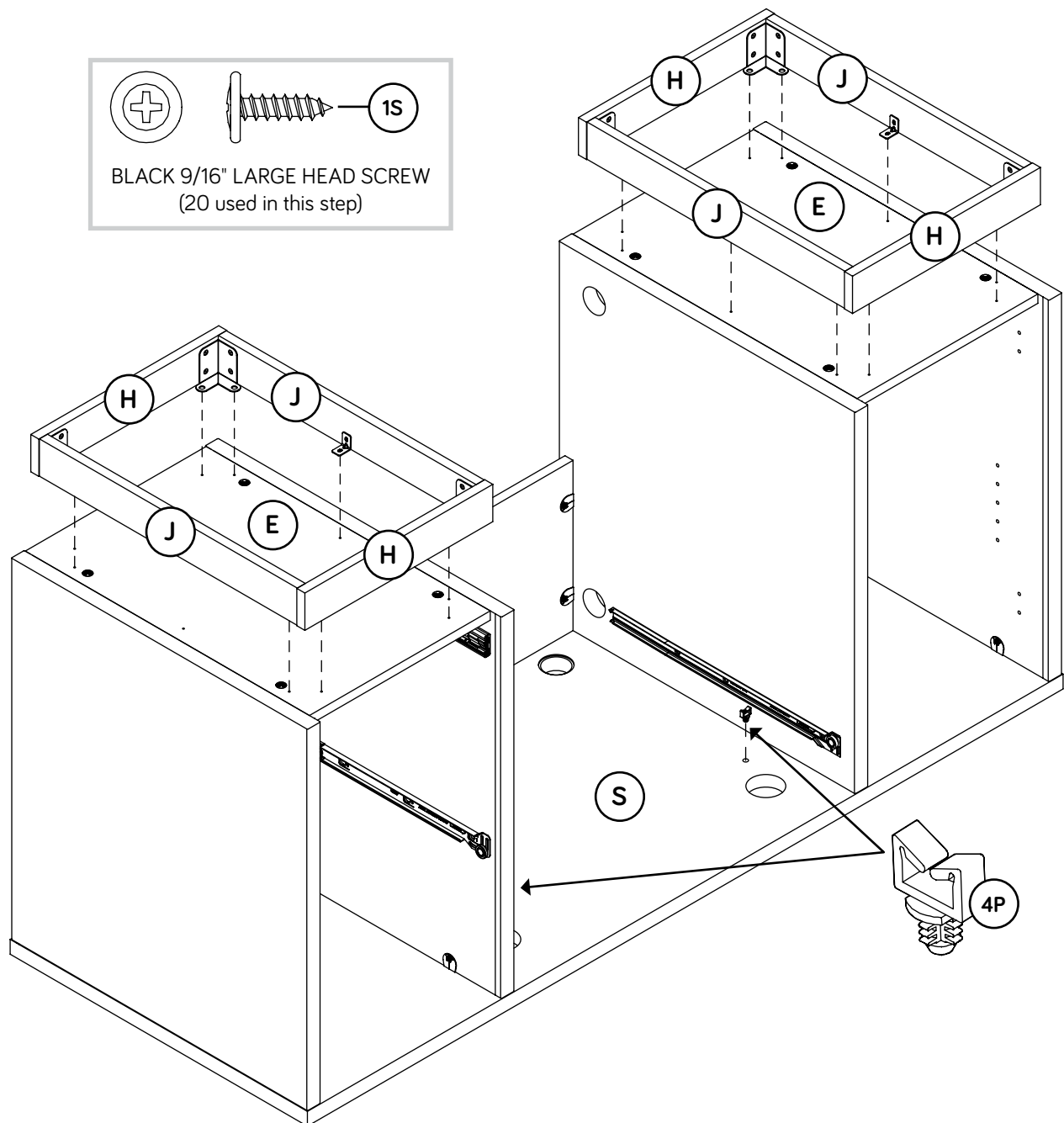
Step 20

- ✚ Fasten two LONG BASES (J) to the CORNER BRACKETS on two SHORT BASES (H). Use eight BLACK 9/16" LARGE HEAD SCREWS (1S) through the CORNER BRACKETS and into the LONG BASES.
- ✚ Fasten two METAL BRACKETS (4G) to the LONG BASES (J). Use two BLACK 9/16" LARGE HEAD SCREWS (1S).
- ✚ NOTE: Be sure the BRACKETS are even with the edges of the BASES.
- ✚ Repeat this step for the remaining BASES (H and J).



Step 21

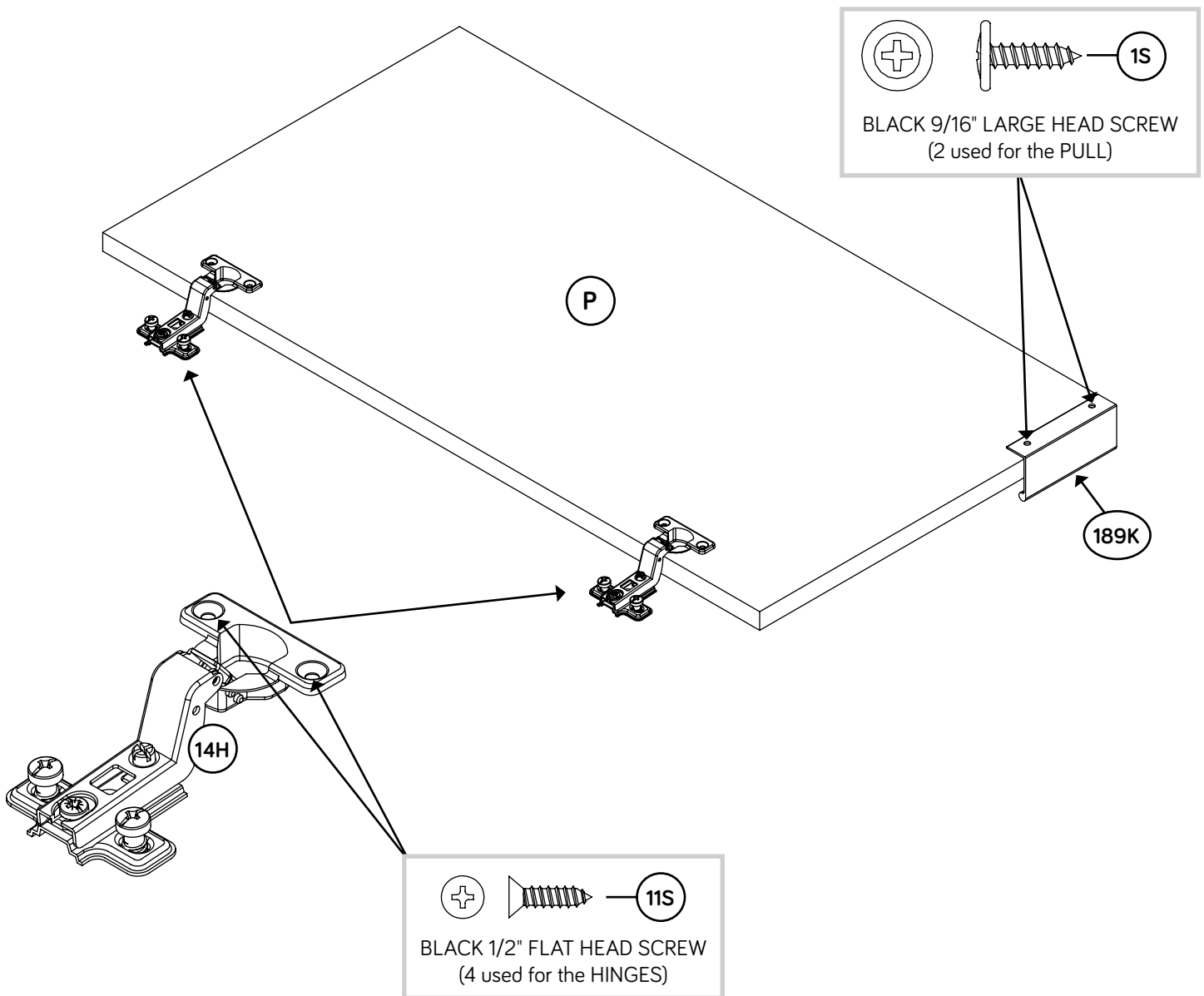
- Fasten the BRACKETS on the BASES (H and J) to the BOTTOMS (E).
Use twenty BLACK 9/16" LARGE HEAD SCREWS (1S).
- Push two CORD CLIPS (4P) into the holes in the TOP (S).
- NOTE:** The CORD CLIPS are used to hold the optional HIDDEN WIRELESS CHARGER cord.



Step 24

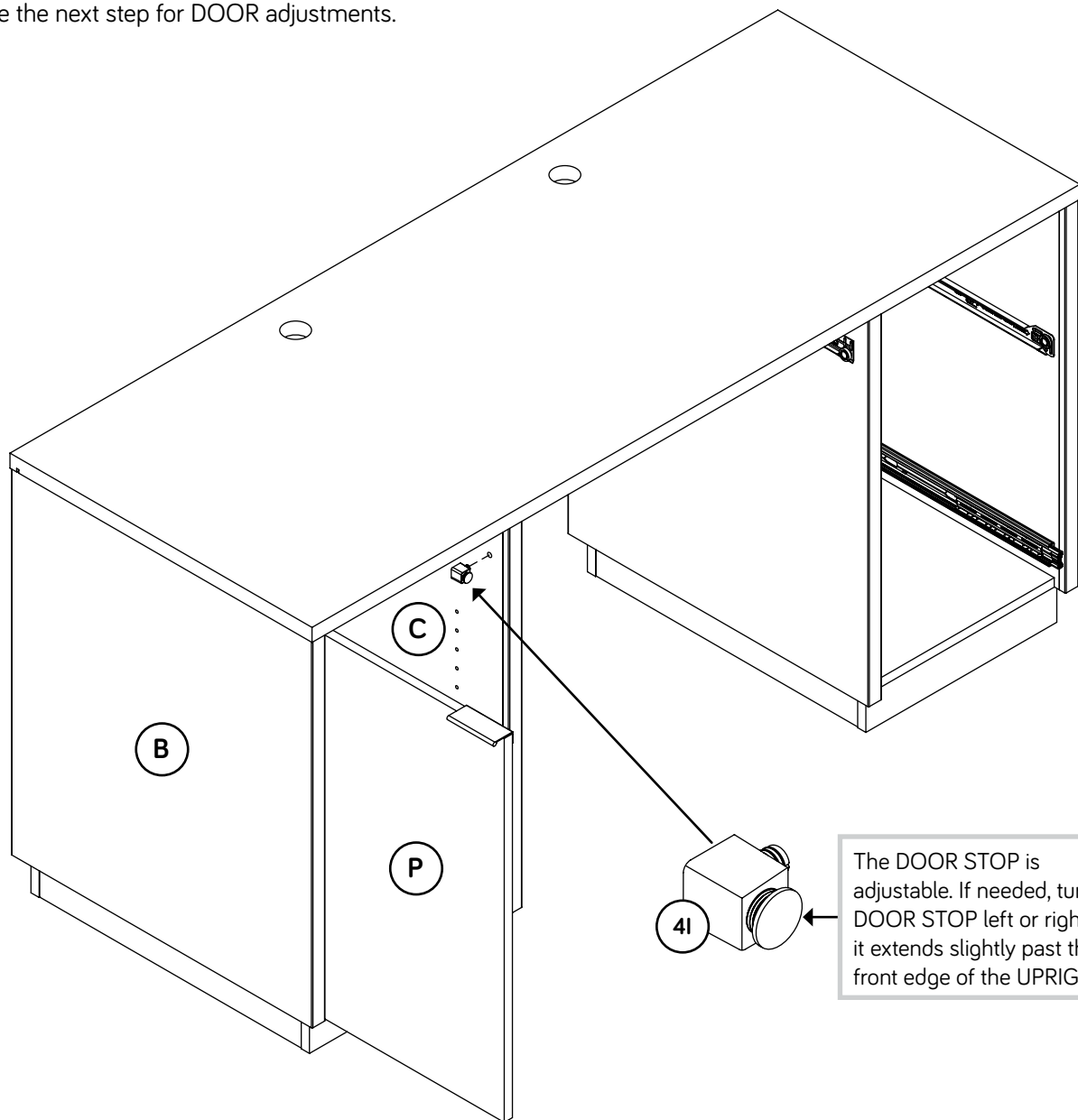
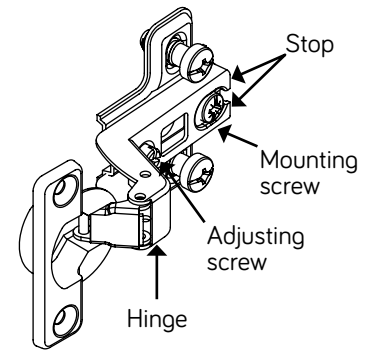


- Fasten two HINGES (14H) to the DOOR (P). Use four BLACK 1/2" FLAT HEAD SCREWS (11S).
- Fasten one PULL (189K) to the DOOR (P). Use two BLACK 9/16" LARGE HEAD SCREWS (1S).



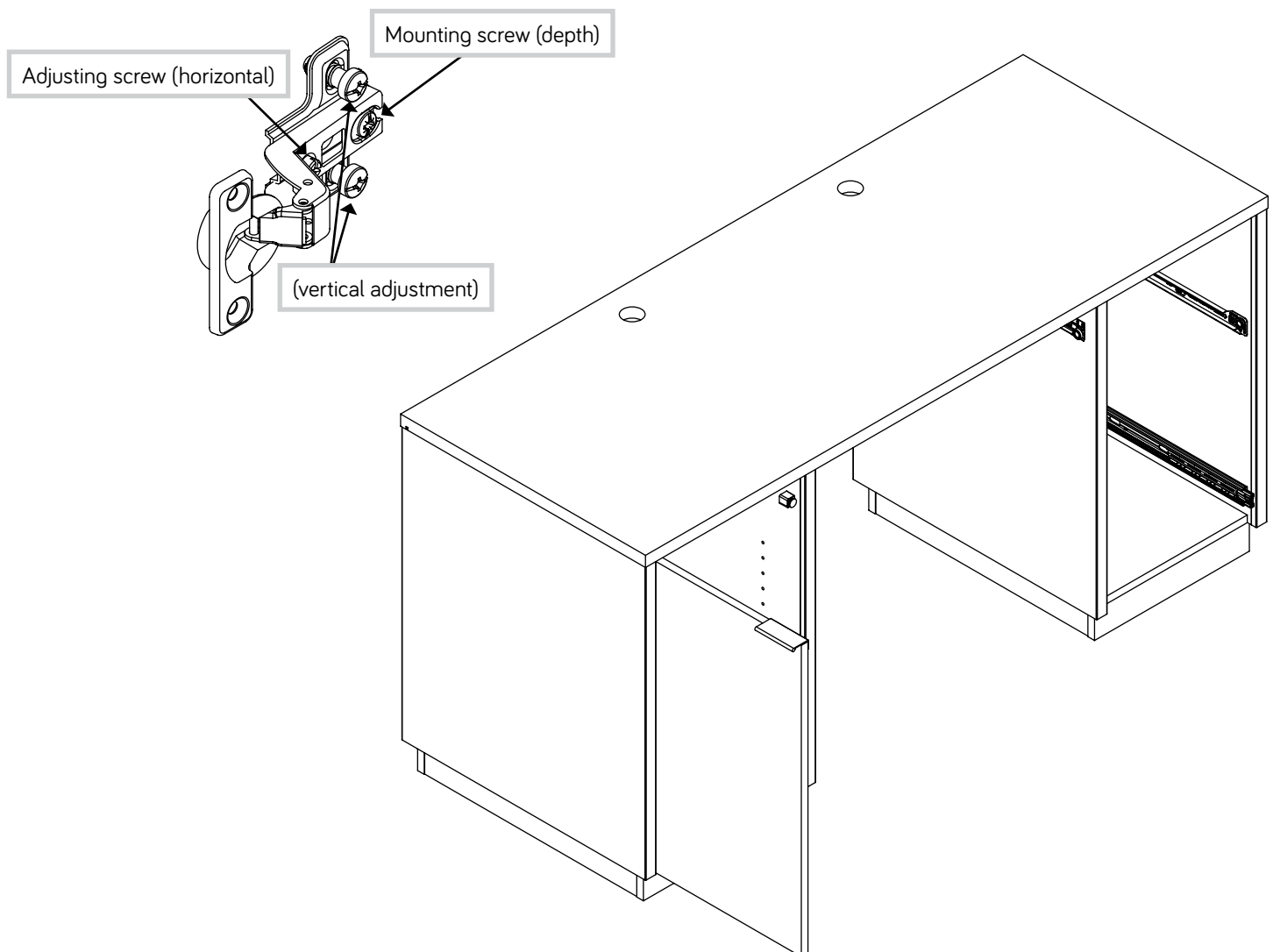
Step 25

- ✚ Carefully stand your unit upright.
- ✚ Push the DOOR STOP (41) into the hole in the LEFT UPRIGHT (C).
- ✚ Before fastening the DOOR to your unit, be sure the mounting screw is against the stops as shown in the right diagram. If it isn't, loosen the adjusting screw and mounting screw to slide it against the stops. Then tighten the mounting screw.
- ✚ Fasten the DOOR (P) to the LEFT END (B) as shown in the lower diagram. Use the screws in the HINGES. You should start each SCREW a few turns before completely tightening any of them.
- ✚ See the next step for DOOR adjustments.



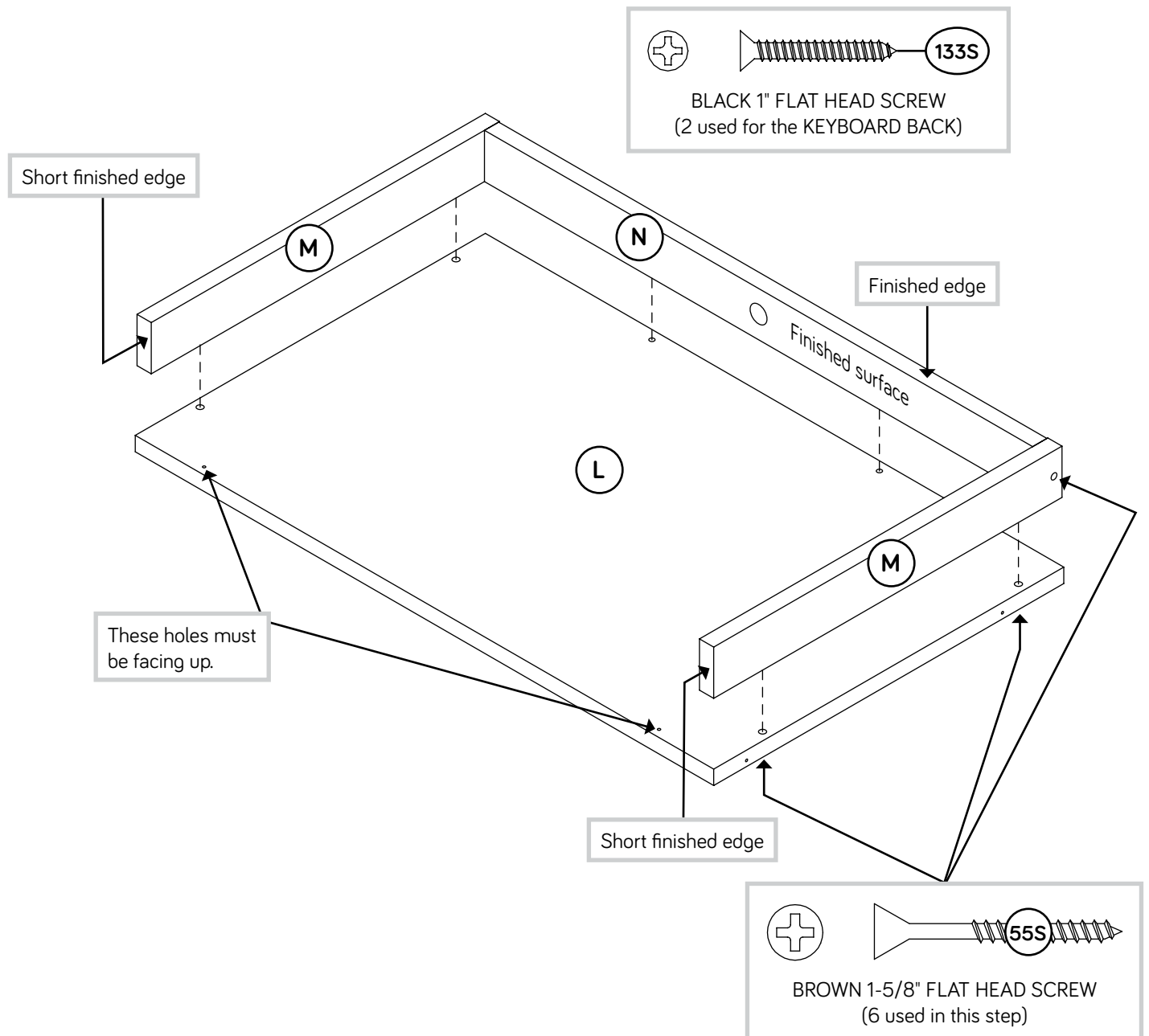
Step 26

- ✚ Refer to the enlarged diagram to identify the parts on the HINGE.
- ✚ The DOOR may need some adjustments. Follow the text below to make needed adjustments.
- ✚ DOOR ADJUSTMENTS:
 - To adjust the DOOR from side to side (horizontal), turn the adjusting screw in or out.
 - To adjust the DOOR up and down (vertical), loosen both vertical adjustment screws. Move the DOOR up or down to the desired location. Tighten the screws after making adjustments.
 - To adjust the DOOR in or out (depth), loosen the mounting screw one turn and move the DOOR in or out, as needed. Tighten the mounting screw after making adjustments.



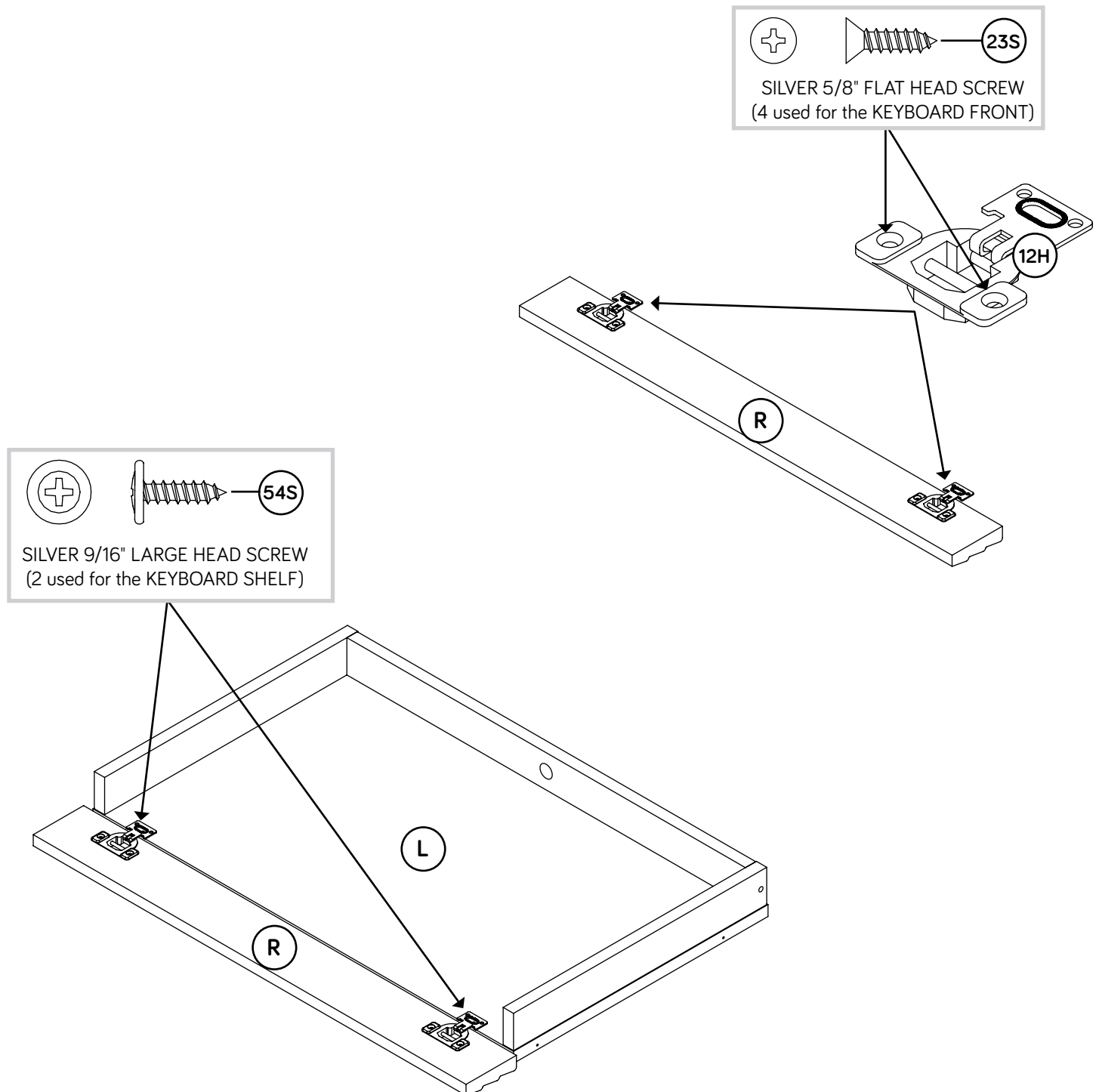
Step 27

- ✚ Fasten the KEYBOARD SIDES (M) to the KEYBOARD SHELF (L). Use four BROWN 1-5/8" FLAT HEAD SCREWS (55S).
- ✚ Fasten the KEYBOARD BACK (N) to the KEYBOARD SIDES (M). Use two BROWN 1-5/8" FLAT HEAD SCREWS (55S).
- ✚ Fasten the KEYBOARD BACK (N) to the KEYBOARD SHELF (L). Use two BLACK 1" FLAT HEAD SCREWS (133S).
- ✚ **NOTE:** There are no pre-drilled holes in the KEYBOARD BACK (N). Use extra force when turning these SCREWS.



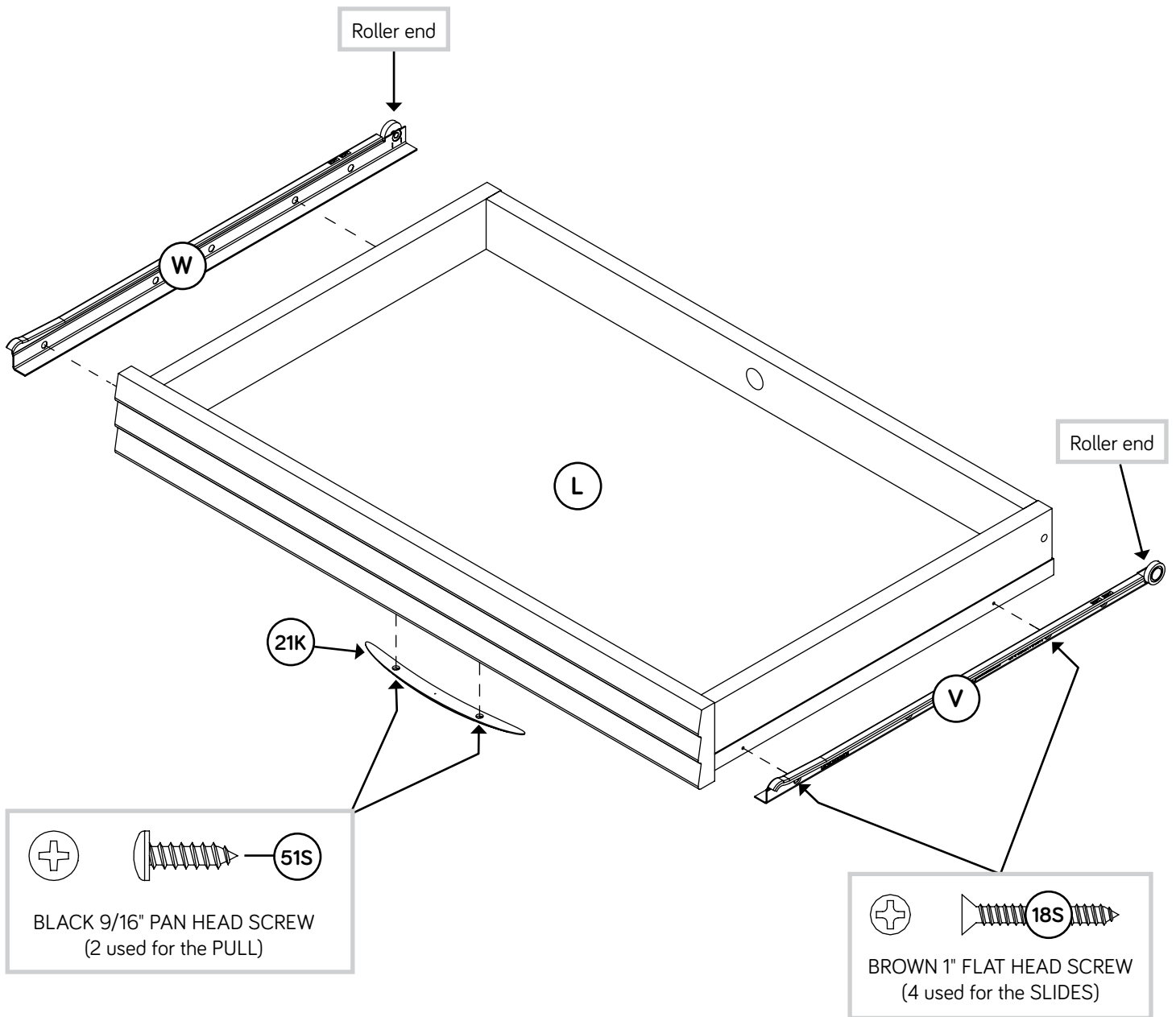
Step 28

- Fasten the KEYBOARD HINGES (12H) to the KEYBOARD FRONT (R). Use four SILVER 5/8" FLAT HEAD SCREWS (23S).
- Fasten the KEYBOARD HINGES on the KEYBOARD FRONT (R) to the KEYBOARD SHELF (L). Use two SILVER 9/16" LARGE HEAD SCREWS (54S).



Step 29

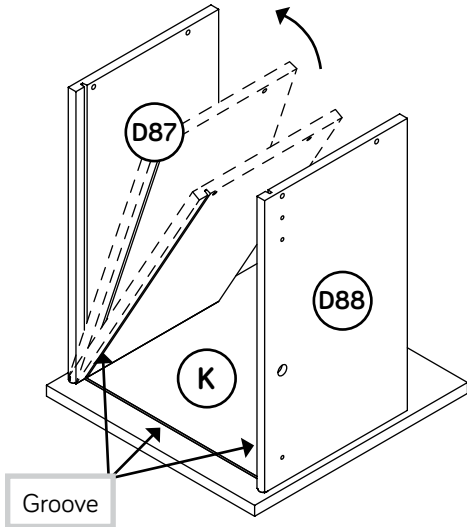
- Fasten the DRAWER SLIDES (V and W) to the KEYBOARD SHELF (L). Use four BROWN 1" FLAT HEAD SCREWS (18S).
- Fasten the PULL (21K) to the KEYBOARD SHELF (L). Use two BLACK 9/16" PAN HEAD SCREWS (51S).



Step 30

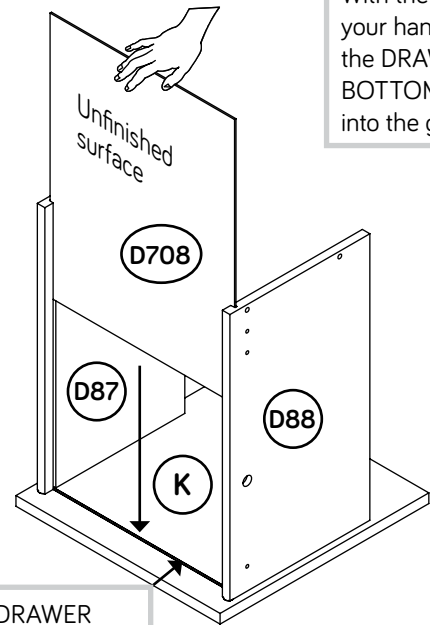
1

The tabs should insert freely into the slots. Gently tilt the DRAWER SIDES side to side until the tabs slip into the slots.



2

With the palm of your hand, tap the DRAWER BOTTOM down into the groove.



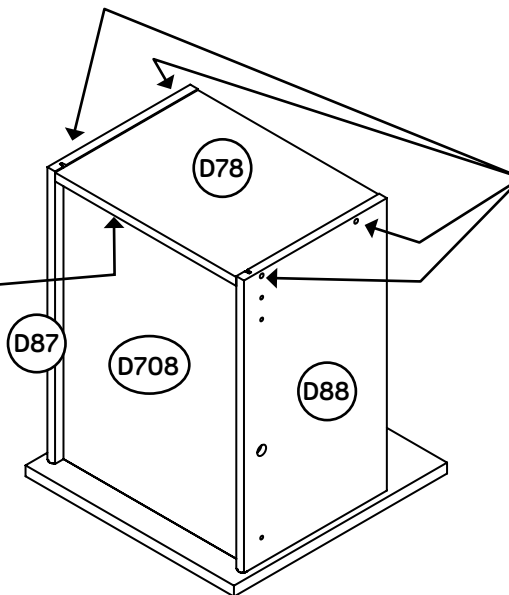
Be sure the DRAWER BOTTOM inserts into the DRAWER FRONT groove.

✚ Insert the FILE DRAWER SIDES (D87 and D88) at an angle into the slot at each end of the FILE DRAWER FRONT (K).

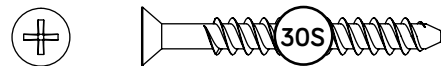
✚ Slide the FILE DRAWER BOTTOM (D708) into the grooves in the FILE DRAWER SIDES (D87 and D88) and FILE DRAWER FRONT (K).

3

Be sure the DRAWER BOTTOM inserts into the DRAWER BACK groove.



Start each screw a few turns before completely tightening any of them.



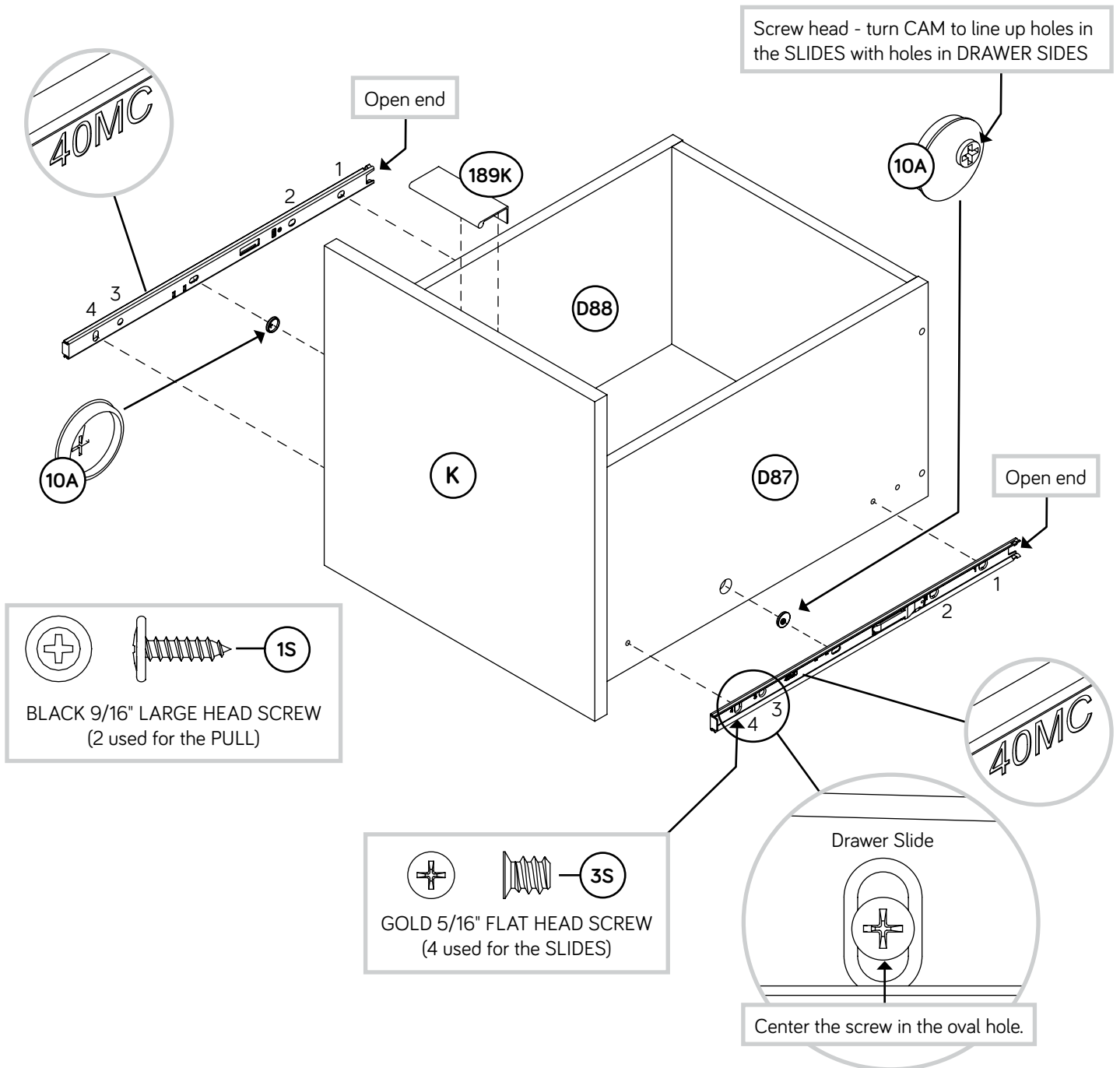
BLACK 1-9/16" FLAT HEAD SCREW
(4 used in this step)

✚ Fasten the FILE DRAWER BACK (D78) to the FILE DRAWER SIDES (D87 and D88). Use four BLACK 1-9/16" FLAT HEAD SCREWS (30S).

✚ NOTE: Be sure the DRAWER BOTTOM (D708) inserts into the groove of the FILE DRAWER BACK (D78).

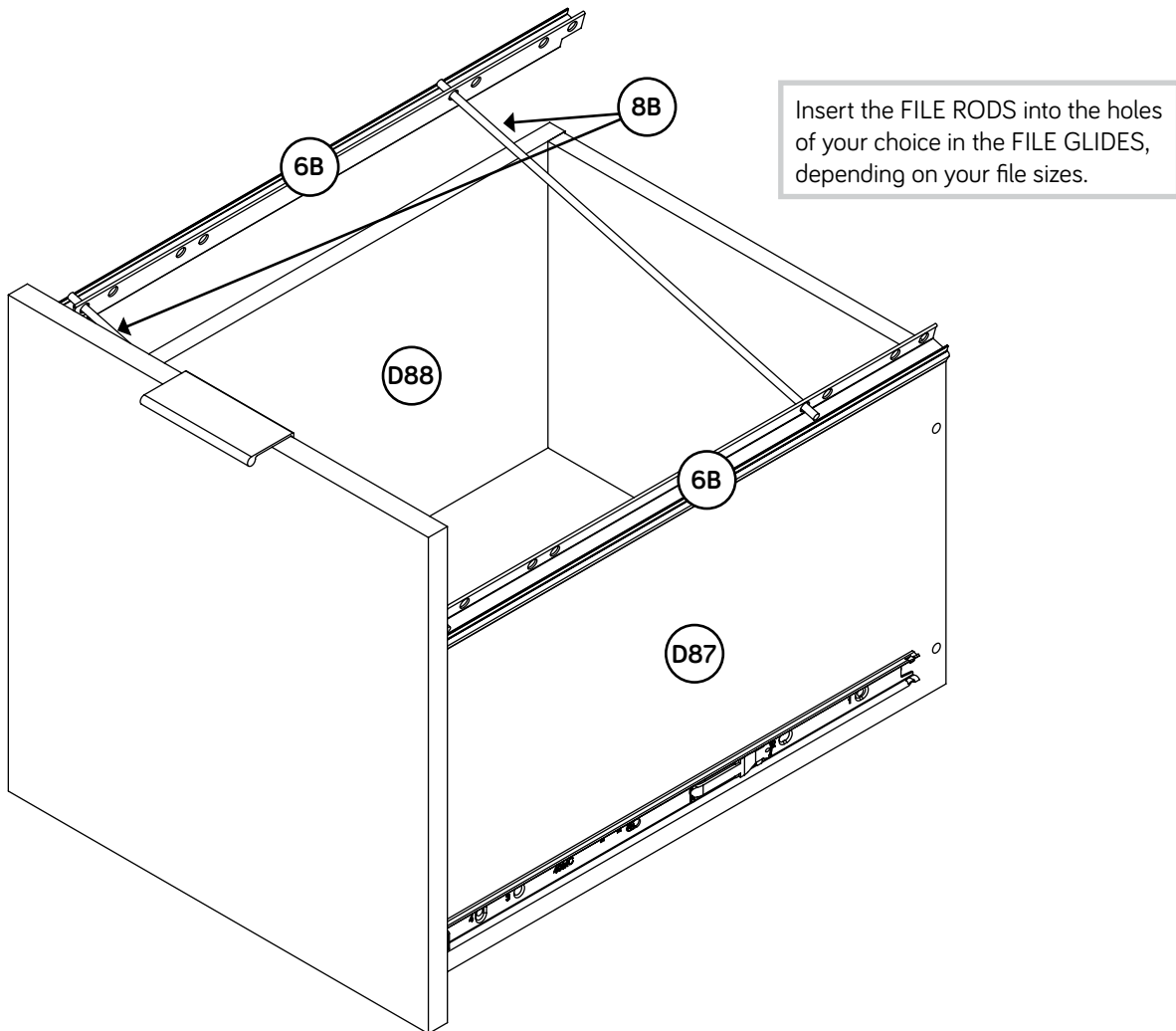
Step 31

- ✚ Insert a SLIDE CAM (10A) into the FILE DRAWER SIDES (D87 and D88).
- ✚ Fasten the EXTENSION SLIDES (40MC) to the FILE DRAWER SIDES (D87 and D88).
Use four GOLD 5/16" FLAT HEAD SCREWS (3S) through holes #1 and #4.
- ✚ **NOTE:** The screw head in the CAM must be visible through the slotted hole in the SLIDE.
- ✚ Fasten one PULL (189K) to the FILE DRAWER FRONT (K). Use two BLACK 9/16" LARGE HEAD SCREWS (1S).



Step 32

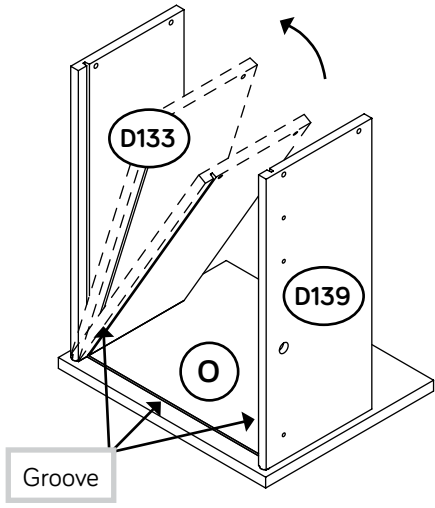
- ✚ Push a FILE GLIDE (6B) onto the FILE RIGHT DRAWER SIDE (D87).
- ✚ Slide the FILE RODS (8B) into the FILE GLIDE (6B) on the FILE RIGHT DRAWER SIDE.
- ✚ Slide another FILE GLIDE (6B) onto the other end of the FILE RODS (8B), then press this FILE GLIDE over the FILE LEFT DRAWER SIDE (D88).



Step 33

1

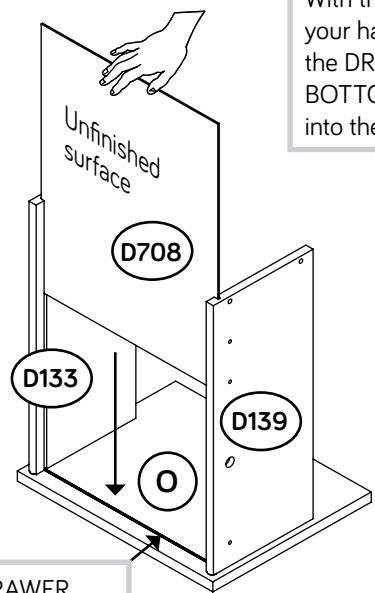
The tabs should insert freely into the slots. Gently tilt the DRAWER SIDES side to side until the tabs slip into the slots.



✚ Insert the DRAWER SIDES (D133 and D139) at an angle into the slot at each end of the DRAWER FRONT (O).

2

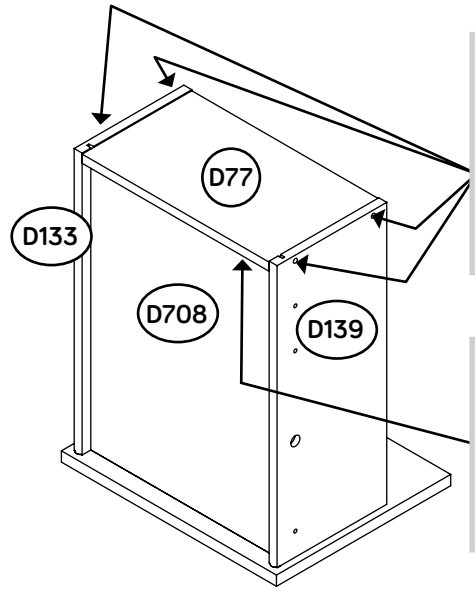
With the palm of your hand, tap the DRAWER BOTTOM down into the groove.



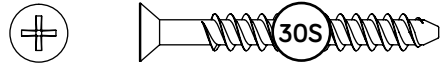
Be sure the DRAWER BOTTOM inserts into the DRAWER FRONT groove.

✚ Slide the DRAWER BOTTOM (D708) into the grooves in the DRAWER SIDES (D133 and D139) and DRAWER FRONT (O).

3



Start each screw a few turns before completely tightening any of them.



BLACK 1-9/16" FLAT HEAD SCREW (4 used in this step)

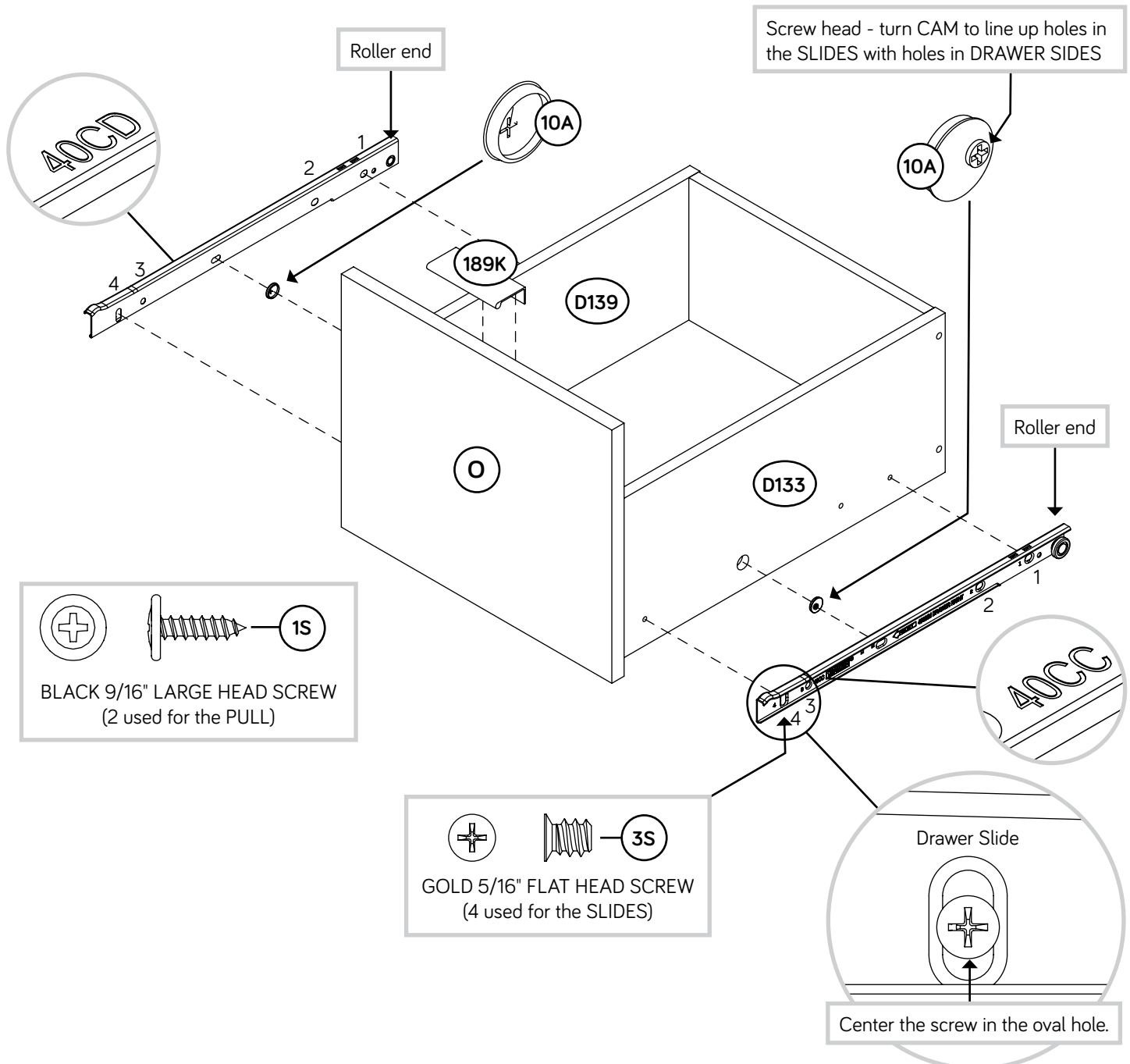
Be sure the DRAWER BOTTOM inserts into the DRAWER BACK groove.

✚ Fasten the DRAWER BACK (D77) to the DRAWER SIDES (D133 and D139). Use four BLACK 1-9/16" FLAT HEAD SCREWS (30S).

✚ NOTE: Be sure the DRAWER BOTTOM (D708) inserts into the groove of the DRAWER BACK (D77).

Step 34

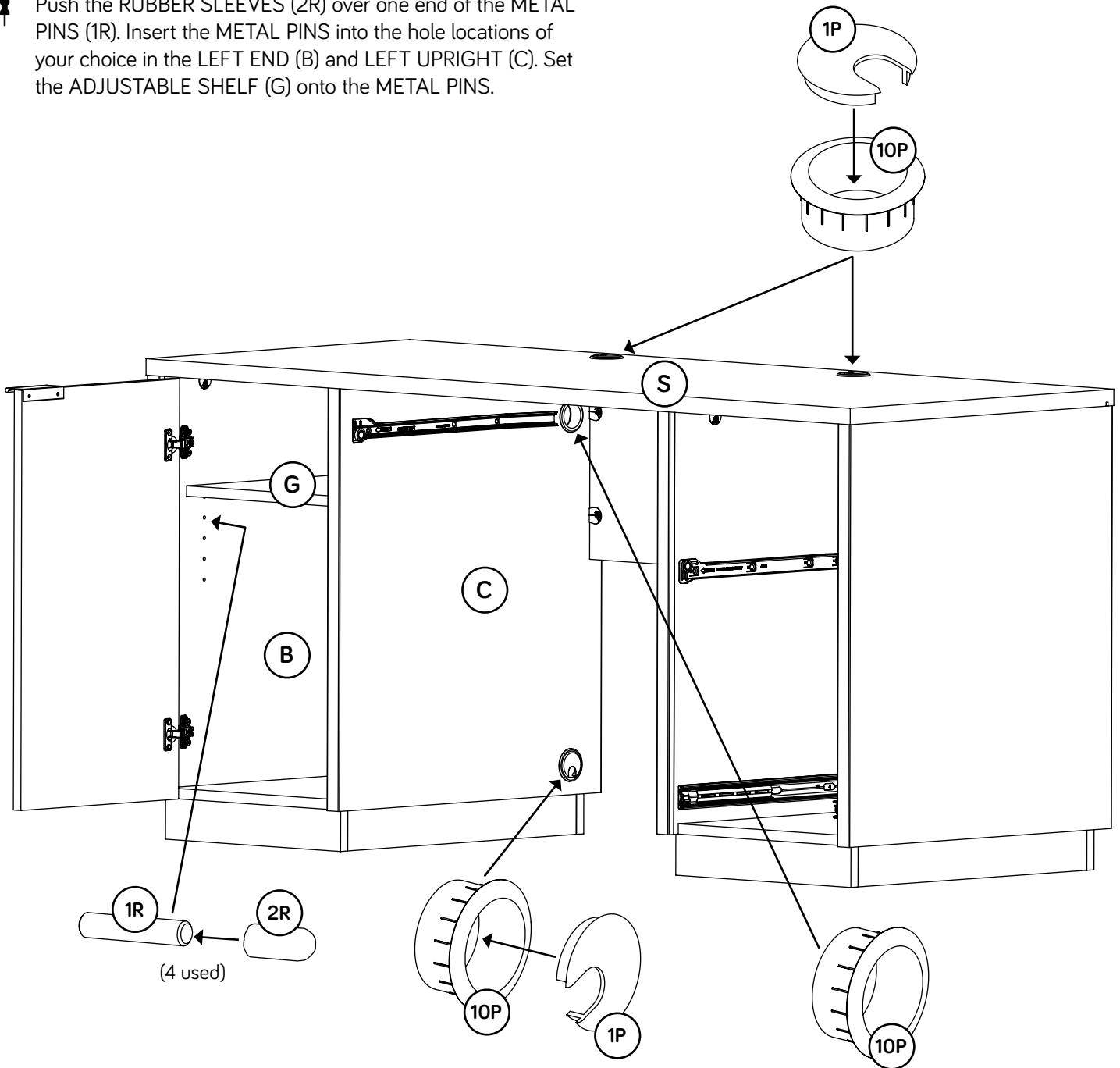
- ✚ Insert a SLIDE CAM (10A) into the DRAWER SIDES (D133 and D139).
- ✚ Fasten the DRAWER RIGHT (40CC) to the RIGHT DRAWER SIDE (D133) and the DRAWER LEFT (40CD) to the LEFT DRAWER SIDE (D139). Use four GOLD 5/16" FLAT HEAD SCREWS (3S) through holes #1 and #4.
- ✚ **NOTE:** The screw head in the CAM must be visible through the slotted hole in the SLIDE.
- ✚ Fasten one PULL (189K) to the DRAWER FRONT (O). Use two BLACK 9/16" LARGE HEAD SCREWS (1S).



Step 35

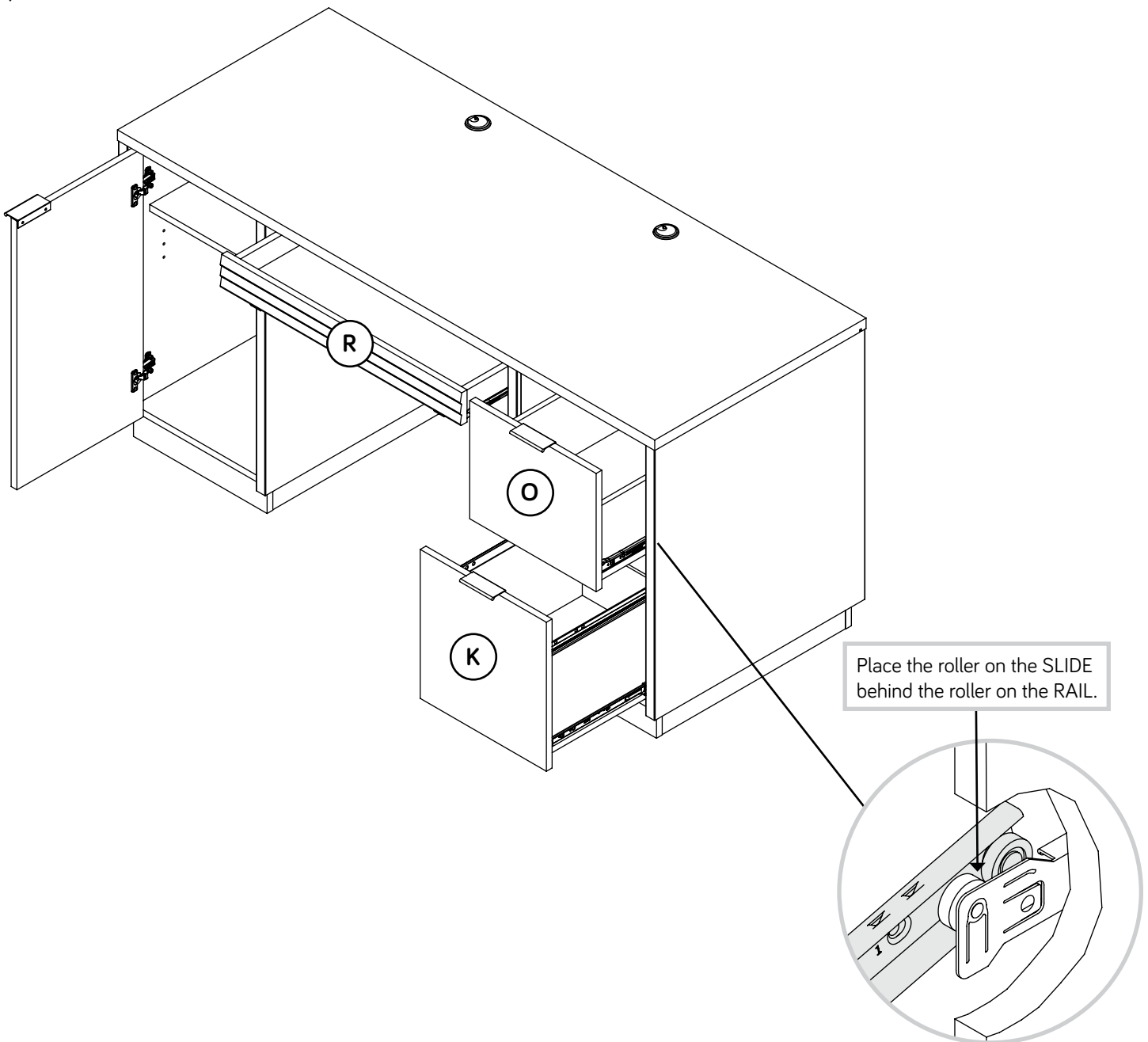
- ✚ Insert a GROMMET (10P) and GROMMET CAP (1P) into each large hole in the TOP (S).
- ✚ Insert a GROMMET (10P) and GROMMET CAP (1P) into the large hole towards the bottom of the LEFT UPRIGHT (C).
- ✚ Insert a GROMMET (10P) into the large hole towards the top of the LEFT UPRIGHT (C).
- ✚ Push the RUBBER SLEEVES (2R) over one end of the METAL PINS (1R). Insert the METAL PINS into the hole locations of your choice in the LEFT END (B) and LEFT UPRIGHT (C). Set the ADJUSTABLE SHELF (G) onto the METAL PINS.

Zzz Almost time to celebrate! With a nap.



Step 36

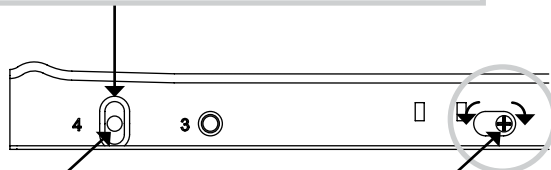
- ✚ To insert the DRAWER (O) into your unit, tip the front of the drawer down and drop the rollers on the drawer behind the rollers on the unit. Lift the front of the drawer up and slide it into the unit.
- ✚ Repeat this step to insert the KEYBOARD SHELF (R).
- ✚ To insert the FILE DRAWER (K) into your unit, line up the EXTENSION SLIDES on the drawer with the EXTENSION RAILS on the unit and push the drawer into the unit until the drawer is fully inserted. The drawer will push in hard until it is all the way in, then it will slide in and out easier.
- ✚ If you did not install the optional Hidden Wireless Qi Compatible Charger by Eggronic, go to Step 38.
- ✚ If you installed the optional Hidden Wireless Qi Compatible Charger by Eggronic, go to the next step.



Step 38

- To make adjustments to the DRAWER and FILE DRAWER, loosen SCREW #4 in the SLIDES a 1/4 turn, then turn the cam clockwise or counter-clockwise. Notice how the drawer raises or lowers as you turn the cam. By adjusting the drawer this way, it will help the DRAWER FRONT line up better when closed. Tighten the SCREWS when finished with adjustments.

Loosen screw #4 a 1/4 turn, turn the cam a 1/4 turn maximum in both the clockwise and counter-clockwise directions to make adjustments, and then tighten screw #4.



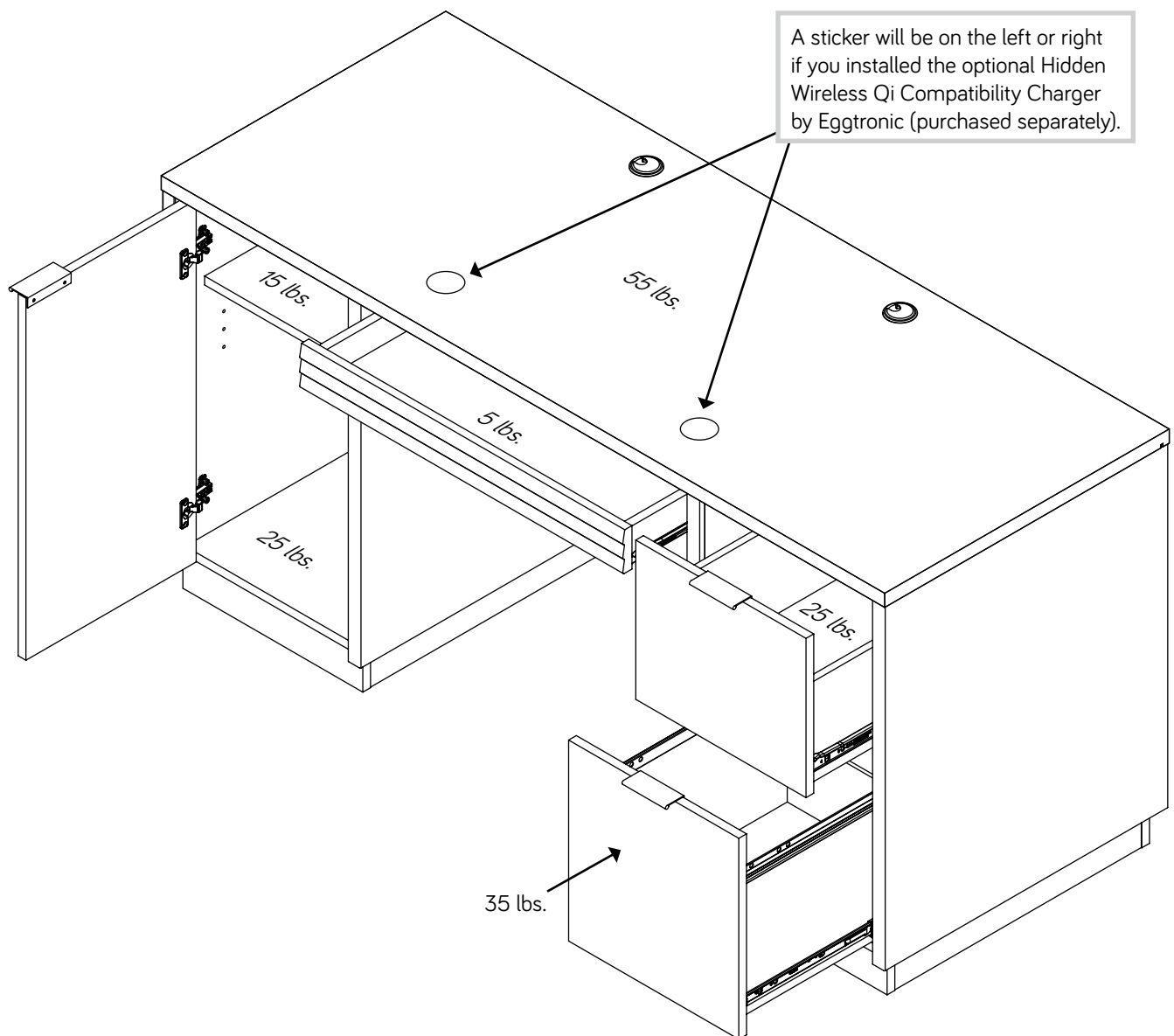
The higher the screw in the oblong hole, the higher your drawer front will be. The lower the screw, the lower the drawer front.

Cam



Step 39

- ✦ If you purchased and installed the HIDDEN WIRELESS Qi COMPATIBLE CHARGER by EGGTRONIC, plug it into an outlet in your wall. To charge your phone, place it on the WIRELESS CHARGING SPOT STICKER. See the next page, if needed, for troubleshooting.
- ✦ NOTE: Please read the back pages of the instruction booklet for important safety information.
- ✦ This completes assembly. Clean with a damp cloth. Wipe dry.



⚠ WARNING

Please use your furniture correctly and safely. Improper use can cause safety hazards, or damage to your furniture or household items. ***Carefully read the following chart.***

Look out for:	What can happen:	How to avoid the problem:
<ul style="list-style-type: none">• Overloaded shelves or drawers.• Improper loading can cause the product to be top-heavy.	<ul style="list-style-type: none">• Risk of injury.• Top-heavy furniture can tip over.• Overloaded shelves and drawers can break.	<ul style="list-style-type: none">• Never exceed the weight limits shown in the instructions.• Work from bottom to top when loading shelves and drawers. Place the heavier items on the lower shelves or in lower drawers.
<ul style="list-style-type: none">• Improperly moving furniture that is not designed and equipped with casters.	<ul style="list-style-type: none">• Furniture can tip over or break if improperly moved.• Physical injury. Furniture can be very heavy.• Breakage of tops - particularly with double pedestal furniture (drawers at both ends).	<ul style="list-style-type: none">• Unload shelves and drawers from top to bottom before moving the unit.• Do not push furniture, especially on a carpeted floor. Have a friend help you lift the item and set it in place.• Provide support to the center section of the top when lifting the furniture.
<ul style="list-style-type: none">• Placing TVs on furniture items that are not designed to support a television is hazardous.	<ul style="list-style-type: none">• Risk of injury or death. TVs can be very heavy. Plus the weight and location of the picture tube tends to make TVs unbalanced and prone to tipping forward.	<ul style="list-style-type: none">• This product is not designed to support a television.