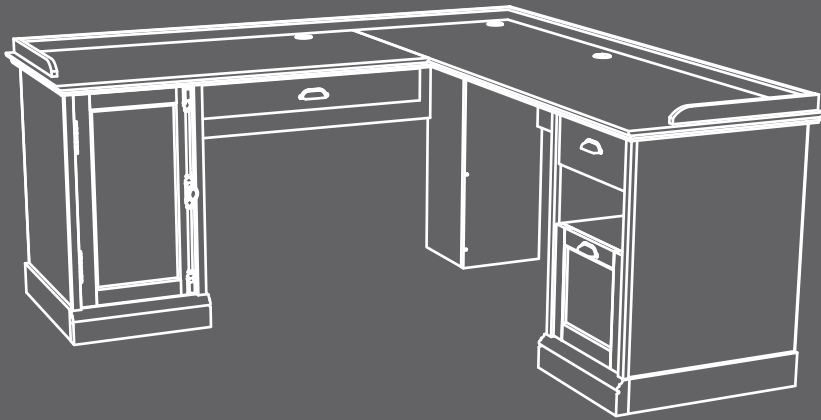


www.teknikoffice.co.uk

Teknik



Business or pleasure.
Works both ways.

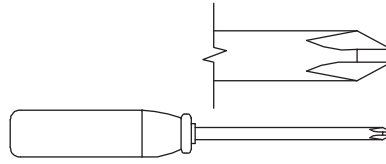
Barrister Home L-Shaped Desk

Model 5418270

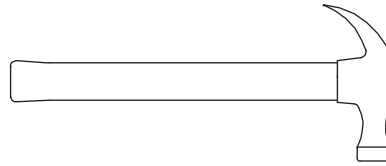
Table of Contents

Assembly Tools Required

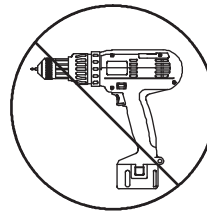
Part Identification	2-3
Hardware Identification	4-5
Assembly Steps	6-40



No. 2 Phillips Screwdriver
Tip Shown Actual Size



Hammer
Not actual size 😊



Skip the power trip.
This time.

Part Identification

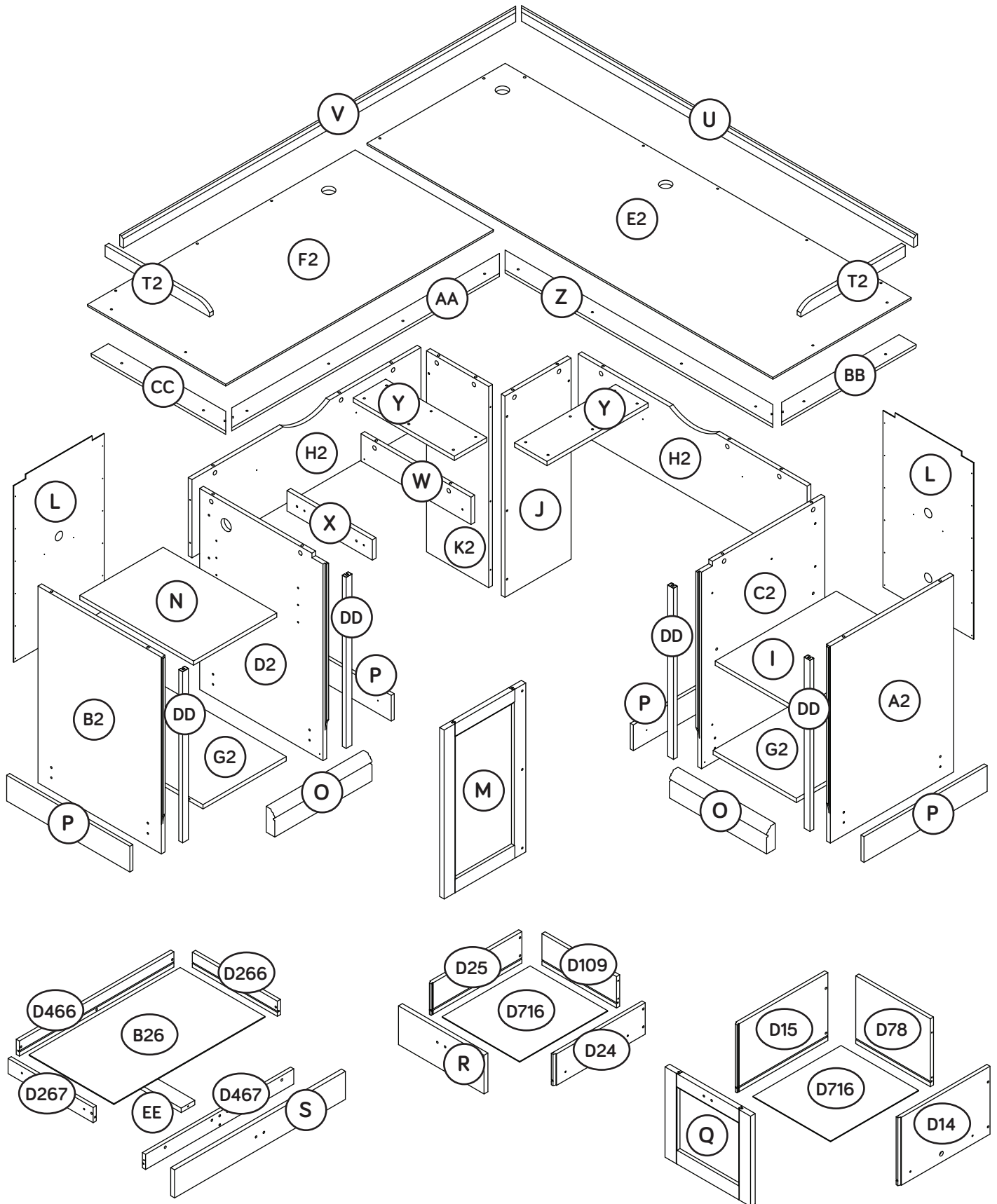
Now you know
our ABCs.



⚠ While not all parts are labeled, some of the parts will have a label or an inked letter on the edge to help distinguish similar parts from each other. Use this part identification to help identify similar parts.

A2	RIGHT END (1)	D716	DRAWER BOTTOM (2)	S	PENCIL DRAWER FRONT (1)
B2	LEFT END (1)	E2	LARGE TOP (1)	T2	SIDE RAIL (2)
B26	PENCIL DRAWER BOTTOM (1)	F2	SMALL TOP (1)	U	RIGHT RAIL (1)
C2	RIGHT UPRIGHT (1)	G2	BOTTOM (2)	V	LEFT RAIL (1)
D2	LEFT UPRIGHT (1)	H2	MODESTY PANEL (2)	W	DRAWER UPRIGHT (1)
D14	LARGE RIGHT DRAWER SIDE (1)	I	SHELF (1)	X	EXTENSION BLOCK (1)
D15	LARGE LEFT DRAWER SIDE (1)	J	RIGHT BACK (1)	Y	CONNECTOR PLATE (2)
D24	RIGHT DRAWER SIDE (1)	K2	LEFT BACK (1)	Z	LONG RIGHT MOLDING (1)
D25	LEFT DRAWER SIDE (1)	L	BACK (2)	AA	LONG LEFT MOLDING (1)
D78	LARGE DRAWER BACK (1)	M	DOOR (1)	BB	RIGHT MOLDING (1)
D109	DRAWER BACK (1)	N	ADJUSTABLE SHELF (1)	CC	LEFT MOLDING (1)
D266	PENCIL RIGHT DRAWER SIDE (1)	O	BASE (2)	DD	END MOLDING (4)
D267	PENCIL LEFT DRAWER SIDE (1)	P	SIDE SKIRT (4)	EE	DRAWER BRACE (1)
D466	PENCIL DRAWER BACK (1)	Q	LARGE DRAWER FRONT (1)		
D467	PENCIL DRAWER BOX FRONT (1)	R	DRAWER FRONT (1)		

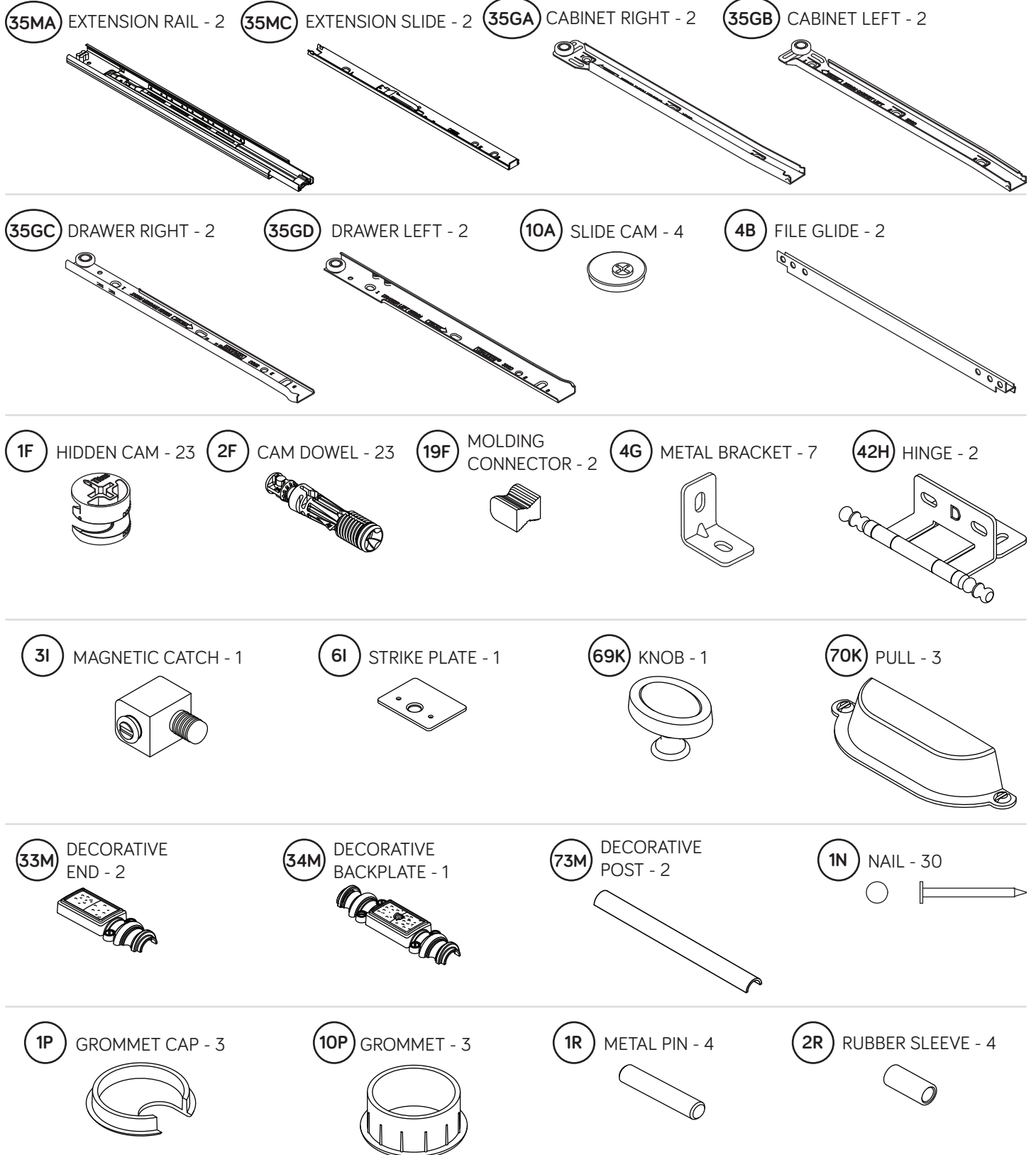
Part Identification



Hardware Identification

† Screws are shown actual size. You may receive extra hardware with your unit.

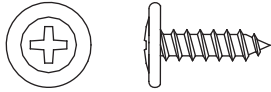
(EXTENSION SET SHOWN SEPARATED)



Hardware Identification

† Screws are shown actual size. You may receive extra hardware with your unit.

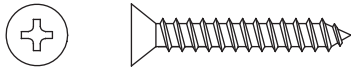
1S BLACK 9/16" LARGE HEAD SCREW - 22



3S GOLD 5/16" FLAT HEAD SCREW - 24



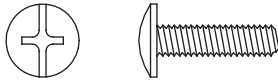
10S SILVER 1-1/8" FLAT HEAD SCREW - 24



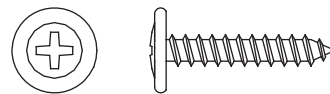
11S BLACK 1/2" FLAT HEAD SCREW - 1



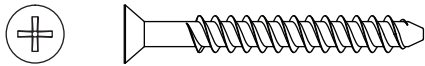
15S SILVER 5/8" MACHINE SCREW - 2



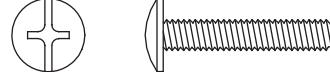
17S BLACK 7/8" LARGE HEAD SCREW - 2



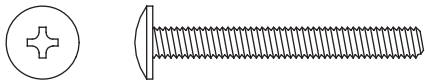
30S BLACK 1-9/16" FLAT HEAD SCREW - 14



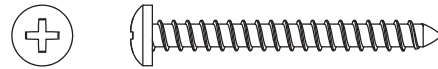
37S BLACK 7/8" MACHINE SCREW - 2



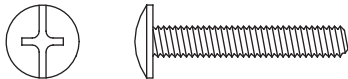
39S GRAY 1-3/8" MACHINE SCREW - 2



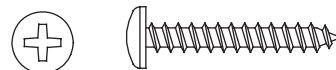
49S BLACK 1-1/2" PAN HEAD SCREW - 12



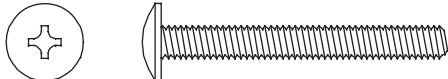
50S GOLD 1" MACHINE SCREW - 2



60S BLACK 1" PAN HEAD SCREW - 8



95S SILVER 1-1/2" MACHINE SCREW - 1



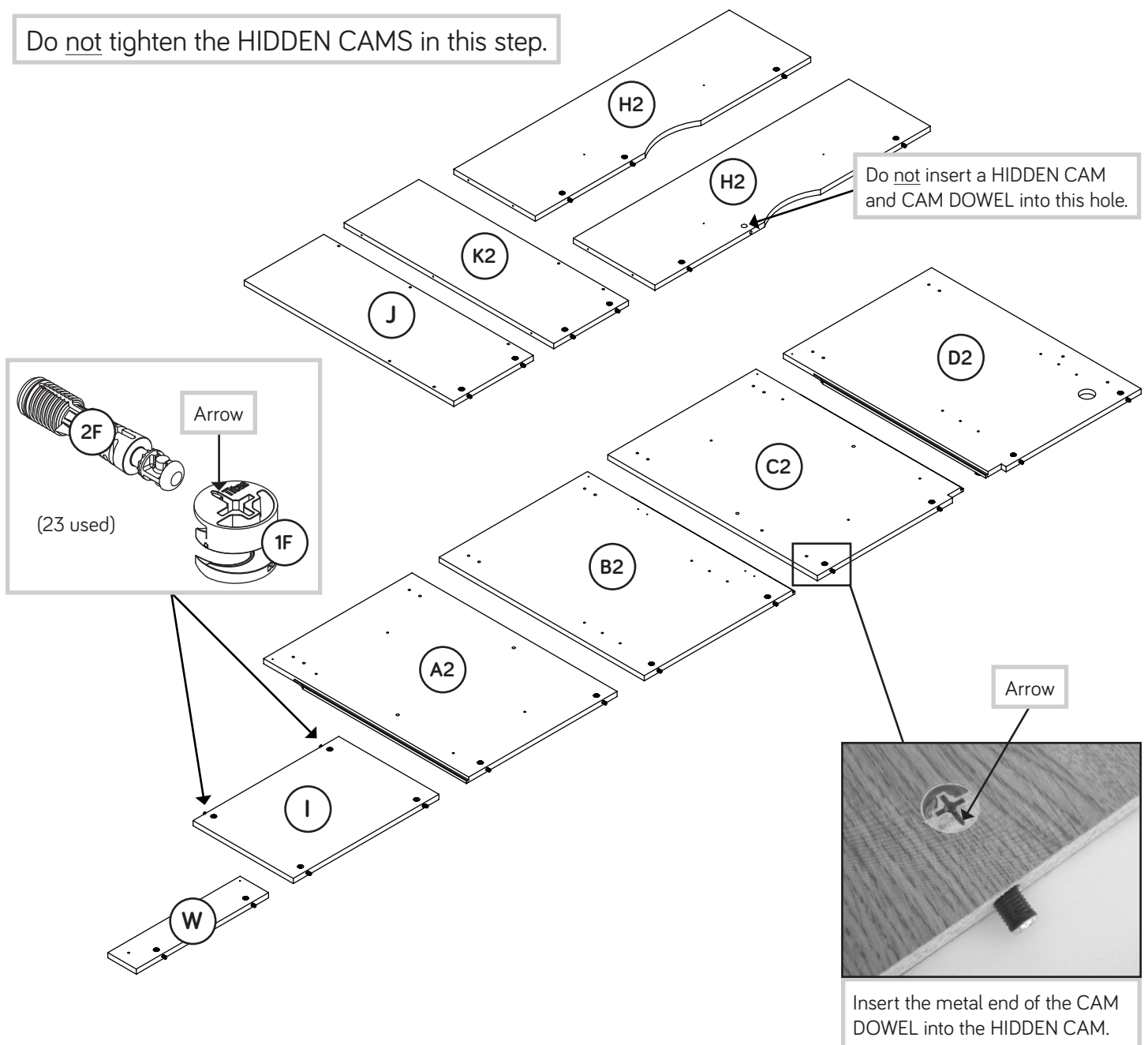
113S BLACK 1-15/16" FLAT HEAD SCREW - 21



Step 1

- ✚ Assemble your unit on a carpeted floor or on the empty carton to avoid scratching your unit or the floor.
- ✚ Push twenty-three HIDDEN CAMS (1F) into the ENDS (A2 and B2), UPRIGHTS (C2, D2, and W), MODESTY PANELS (H2), SHELF (I), and BACKS (K2 and J). Then, insert the metal end of a CAM DOWEL (2F) into each HIDDEN CAM.
- ✚ **NOTE:** You will only insert two HIDDEN CAMS and CAM DOWELS into one of the MODESTY PANELS (H2).

Do not tighten the HIDDEN CAMS in this step.



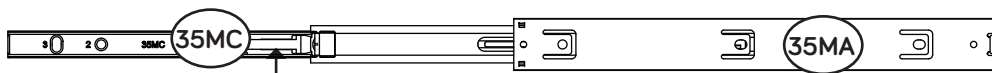
Step 2

✚ Separate the EXTENSION SLIDES (35MC) from the EXTENSION RAILS (35MA) as shown in the upper diagram below. Be prepared, the parts are greasy.

✚ Fasten the EXTENSION RAILS (35MA) to the RIGHT END (A2) and RIGHT UPRIGHT (C2). Use four GOLD 5/16" FLAT HEAD SCREWS (3S).

✚ NOTE: For each EXTENSION RAIL, turn a SCREW into the hole shown in the enlarged diagram. Then, slide the inner cartridge of the EXTENSION RAIL in to find the other hole that lines up with the hole in the END/UPRIGHT. Turn a SCREW into this hole.

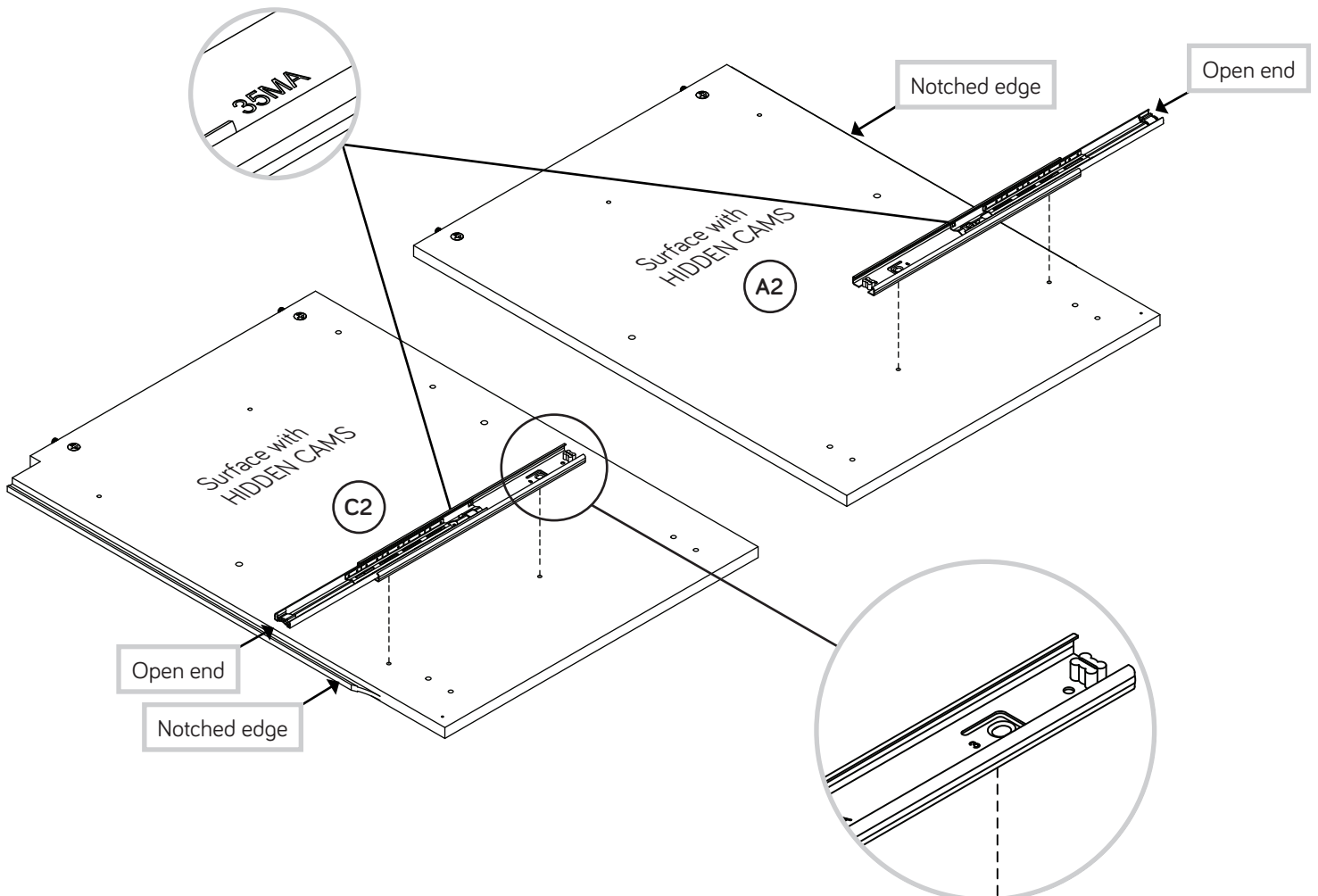
✚ NOTE: The EXTENSION SLIDES (40MC) will be used later for the DRAWERS.



Push the black lever in and pull the SLIDE from the RAIL.

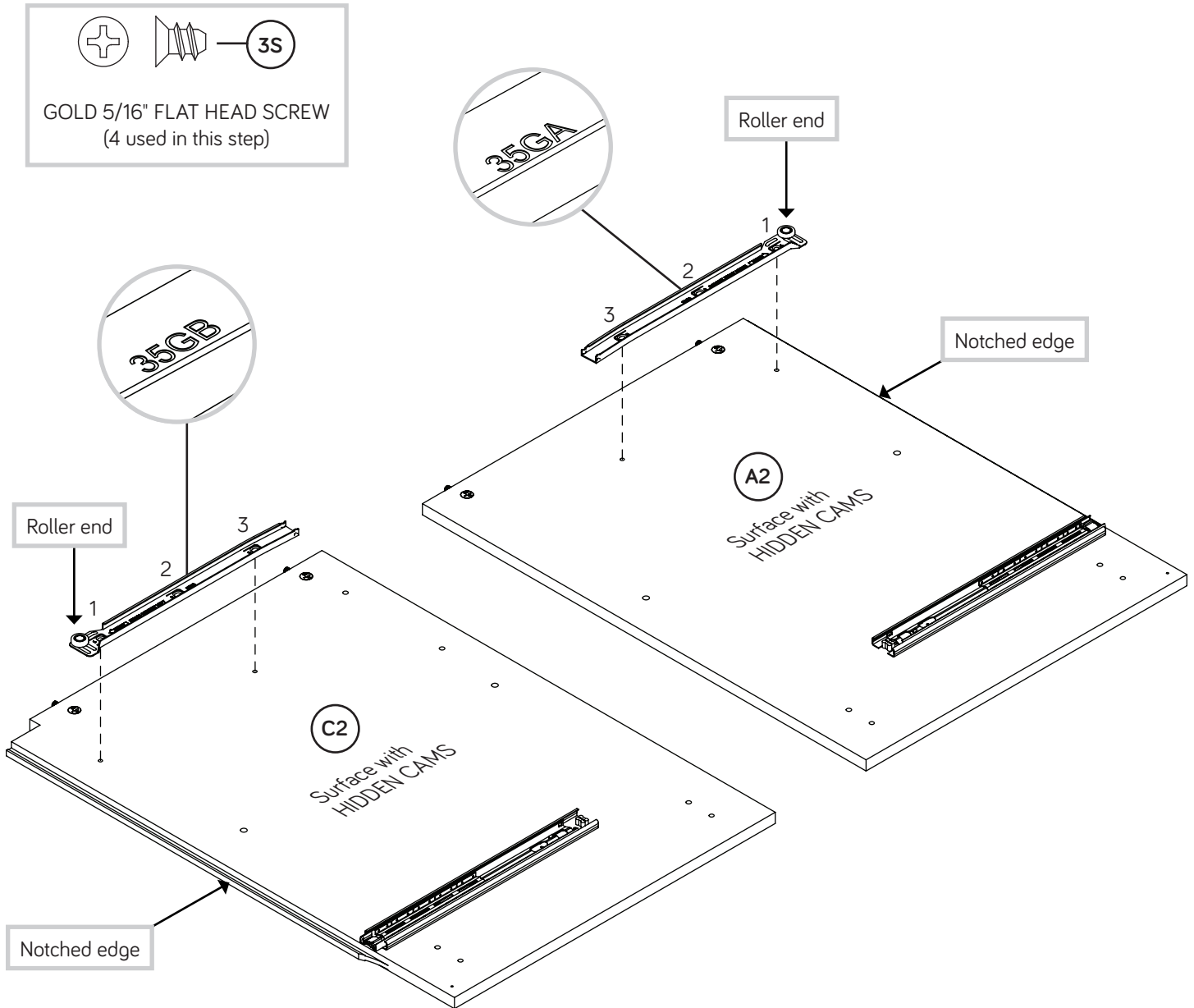


GOLD 5/16" FLAT HEAD SCREW
(4 used in this step)



Step 3

- Fasten a CABINET RIGHT (35GA) to the RIGHT END (A2) and a CABINET LEFT (35GB) to the RIGHT UPRIGHT (C2). Use four GOLD 5/16" FLAT HEAD SCREWS (3S) through holes #1 and #3.



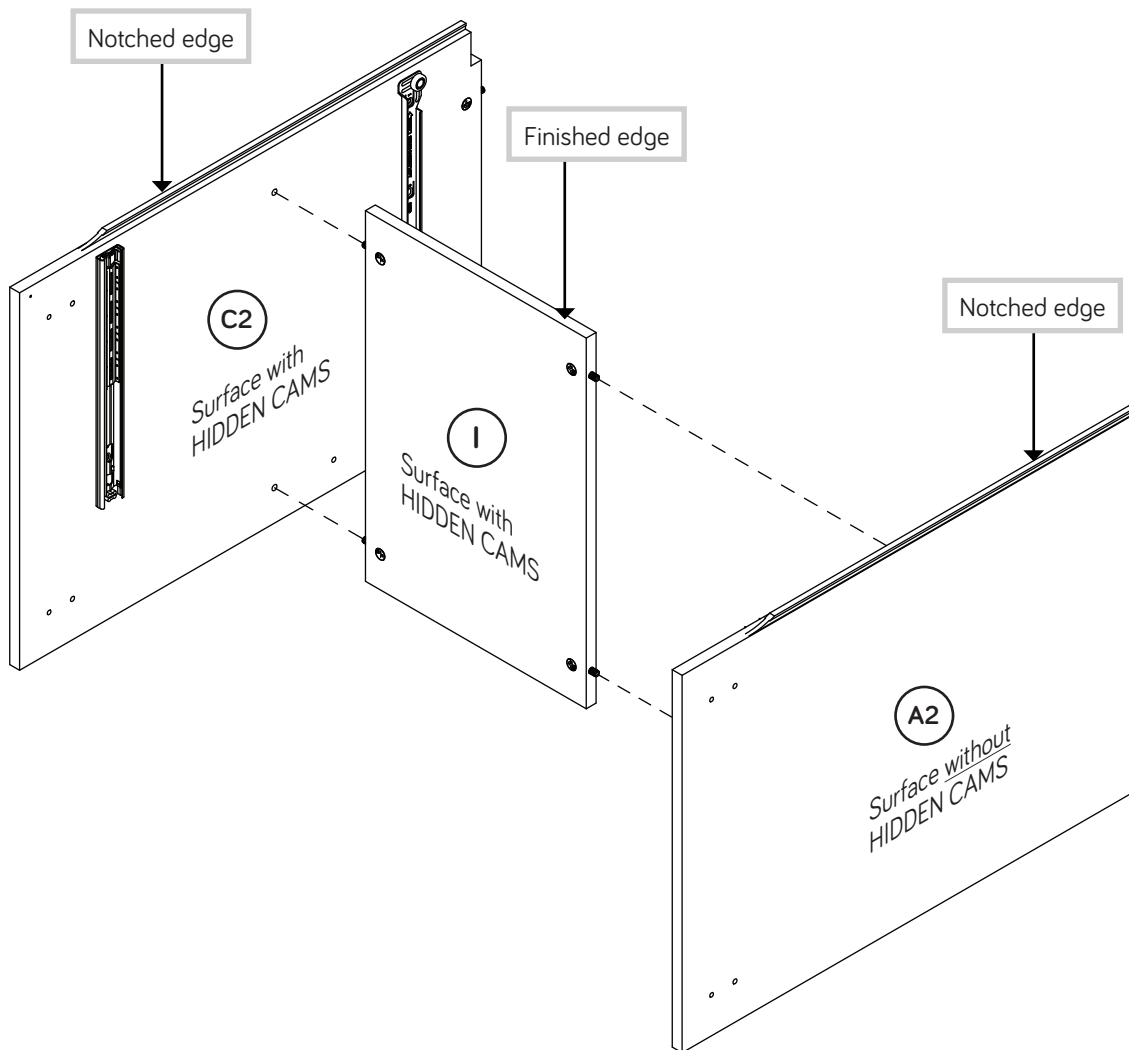
Step 4

- Fasten the SHELF (I) to the RIGHT END (A2) and RIGHT UPRIGHT (C2). Tighten four HIDDEN CAMS.



Caution

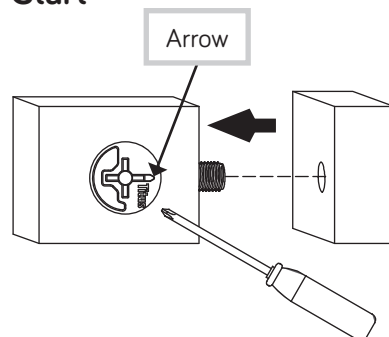
Do not stand the unit upright without the BACK fastened. The unit may collapse.



Caution

Risk of damage or injury. HIDDEN CAMS must be completely tightened. HIDDEN CAMS that are not completely tightened may loosen, and parts may separate. To completely tighten:

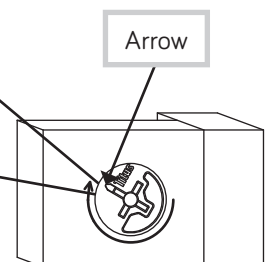
Start



Tighten

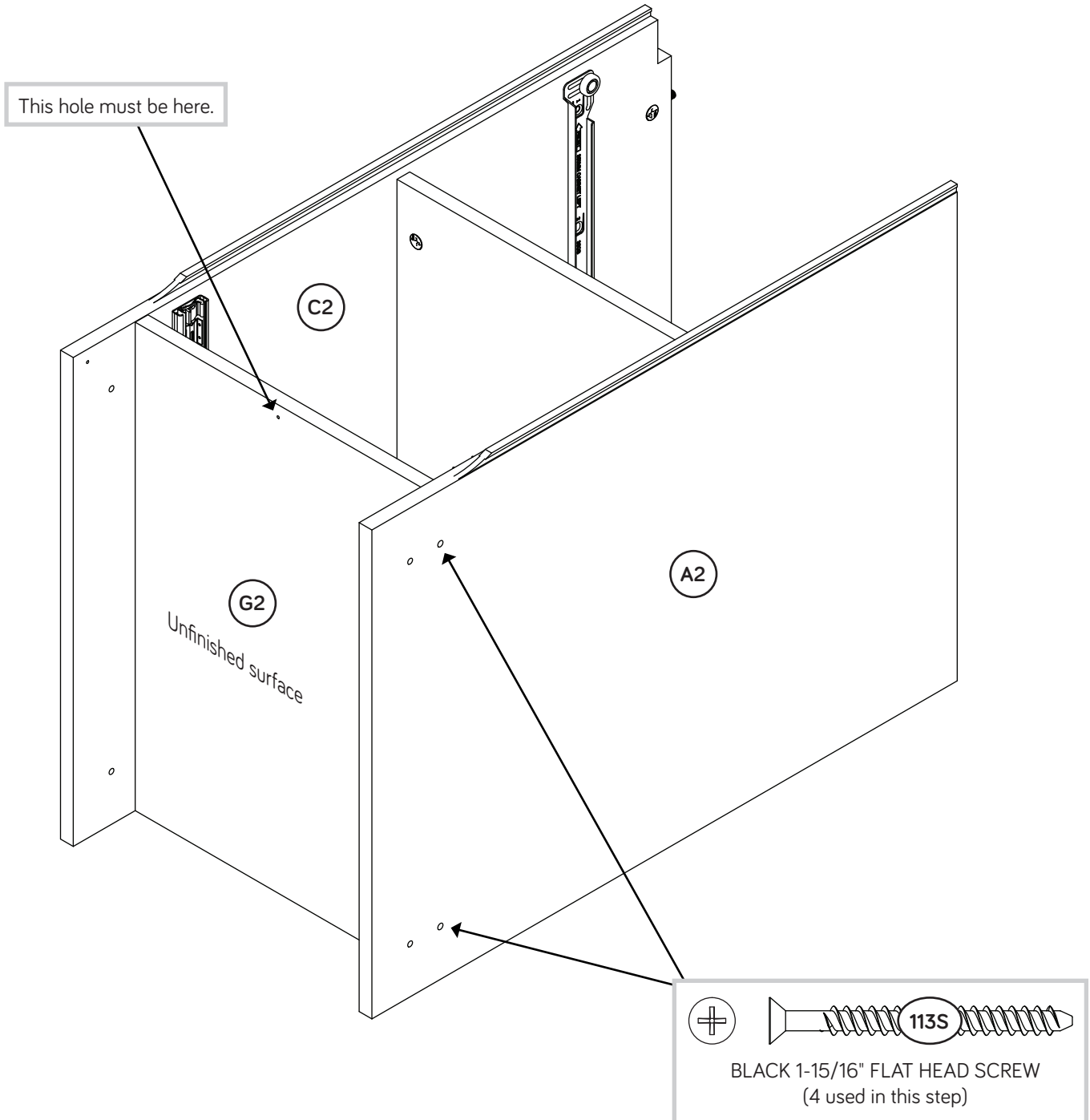
Maximum 210 degrees

Minimum 190 degrees



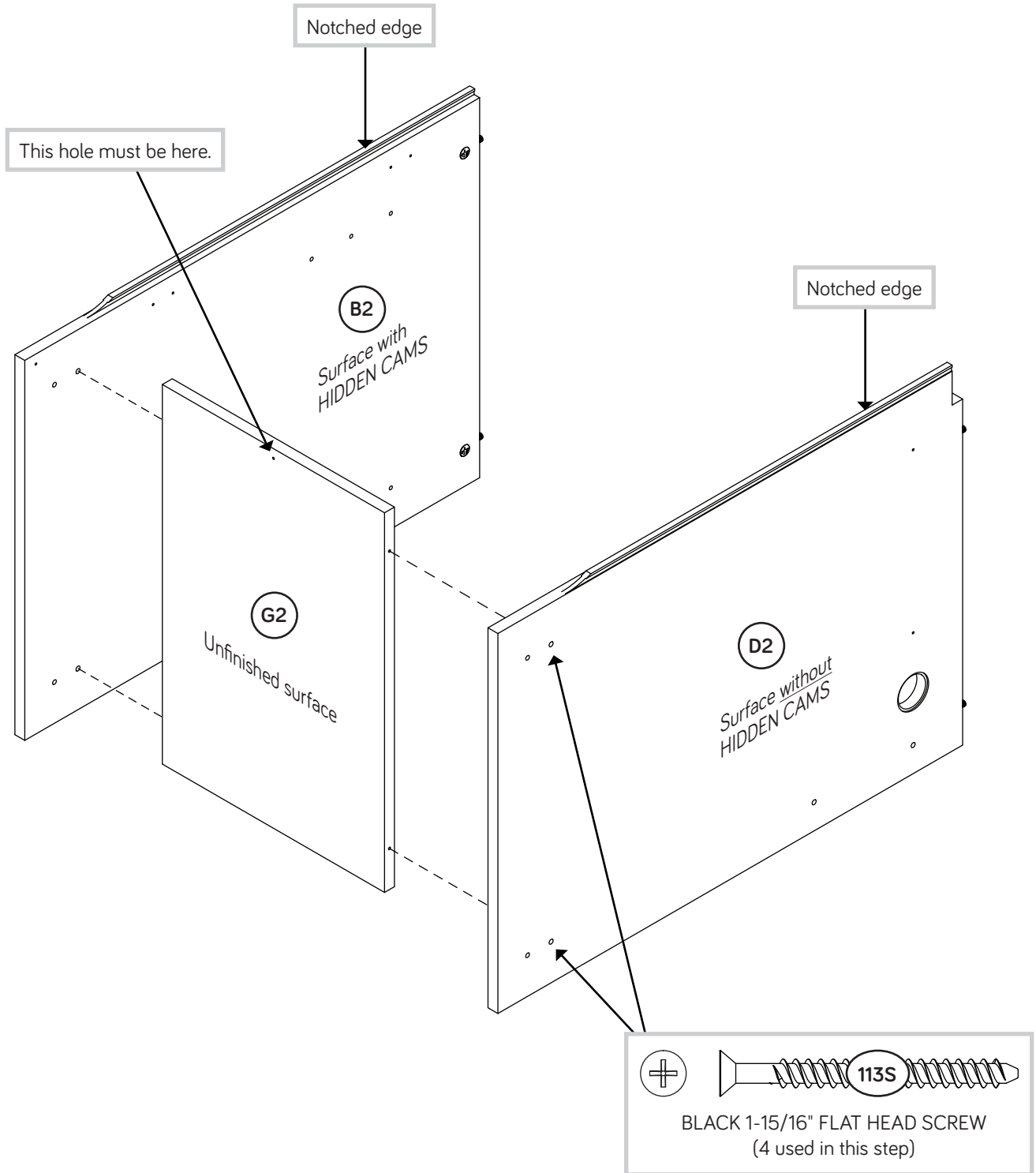
Step 5

- Fasten a BOTTOM (G2) to the RIGHT END (A2) and RIGHT UPRIGHT (C2). Use four BLACK 1-15/16" FLAT HEAD SCREWS (113S).



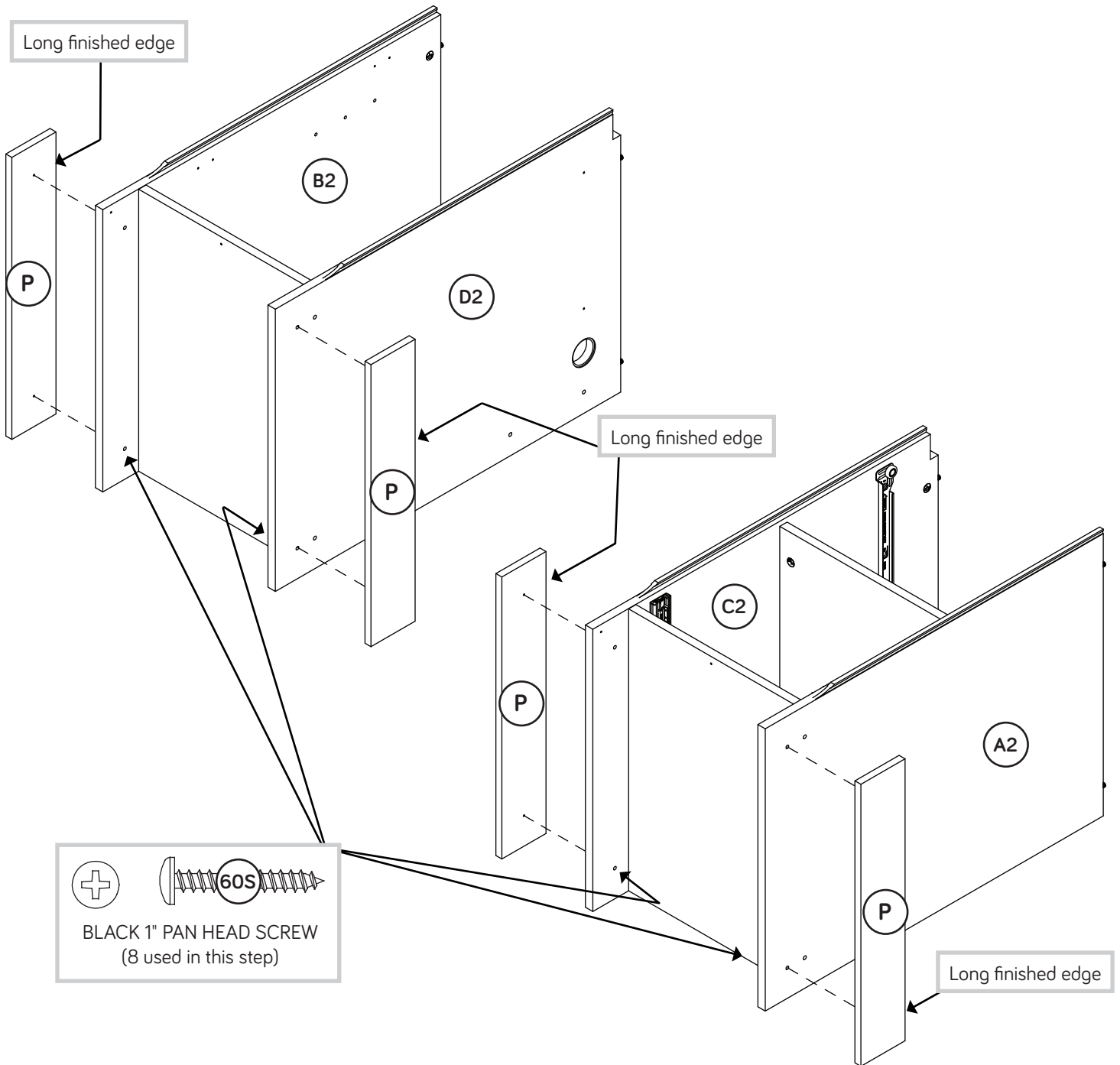
Step 6

- Fasten the other BOTTOM (G2) to the LEFT END (B2) and LEFT UPRIGHT (D2). Use four BLACK 1-15/16" FLAT HEAD SCREWS (113S).



Step 7

- Fasten the SIDE SKIRTS (P) to the ENDS (A2 and B2) and UPRIGHTS (C2 and D2). Use eight BLACK 1" PAN HEAD SCREWS (60S).

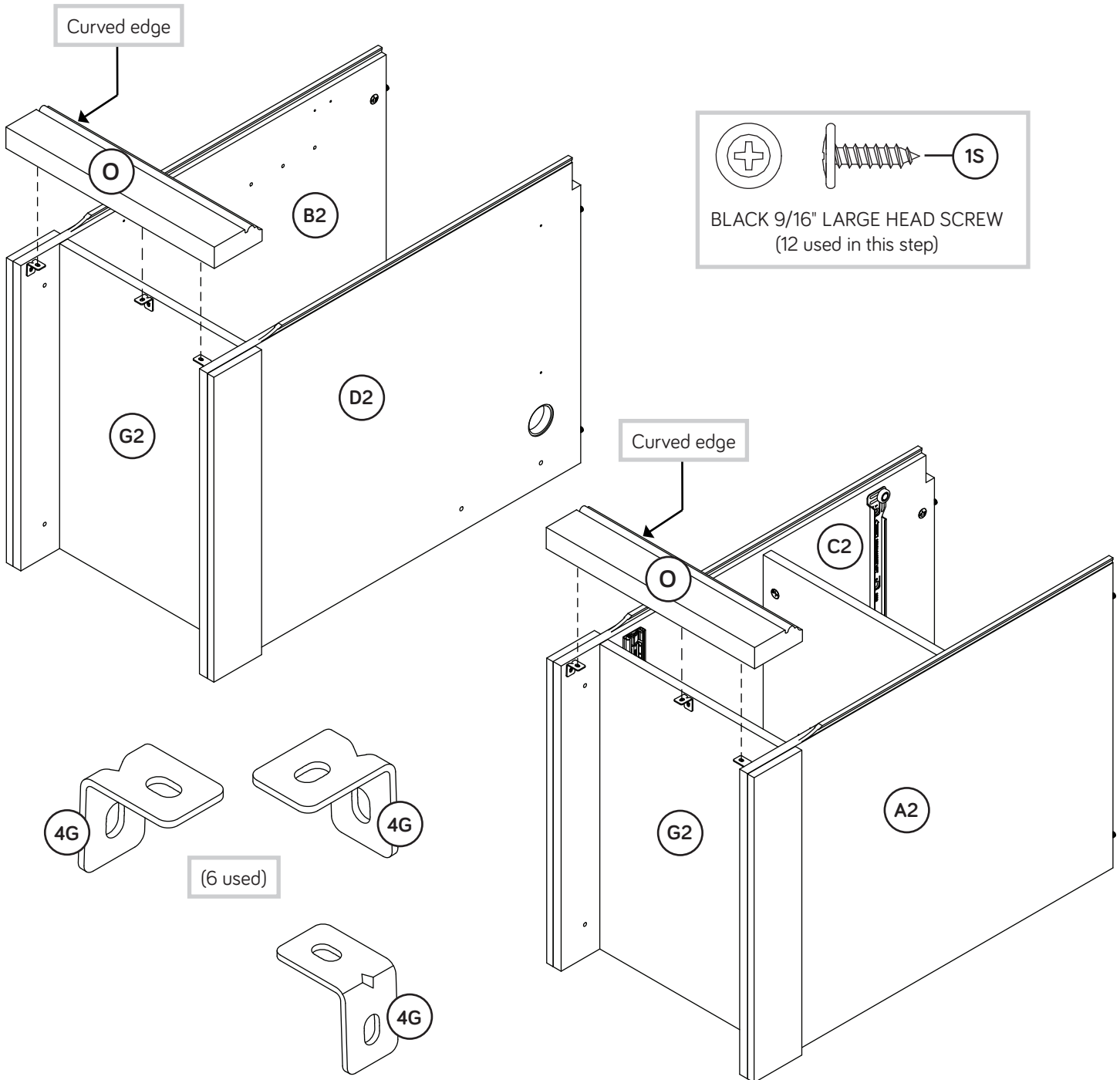


Step 8

Fasten six METAL BRACKETS (4G) to the ENDS (A2 and B2), UPRIGHTS (C2 and D2), and BOTTOMS (G2). Use six BLACK 9/16" LARGE HEAD SCREWS (1S).

NOTE: Be sure the BRACKETS are even with the edges of the ENDS, UPRIGHTS, and BOTTOMS.

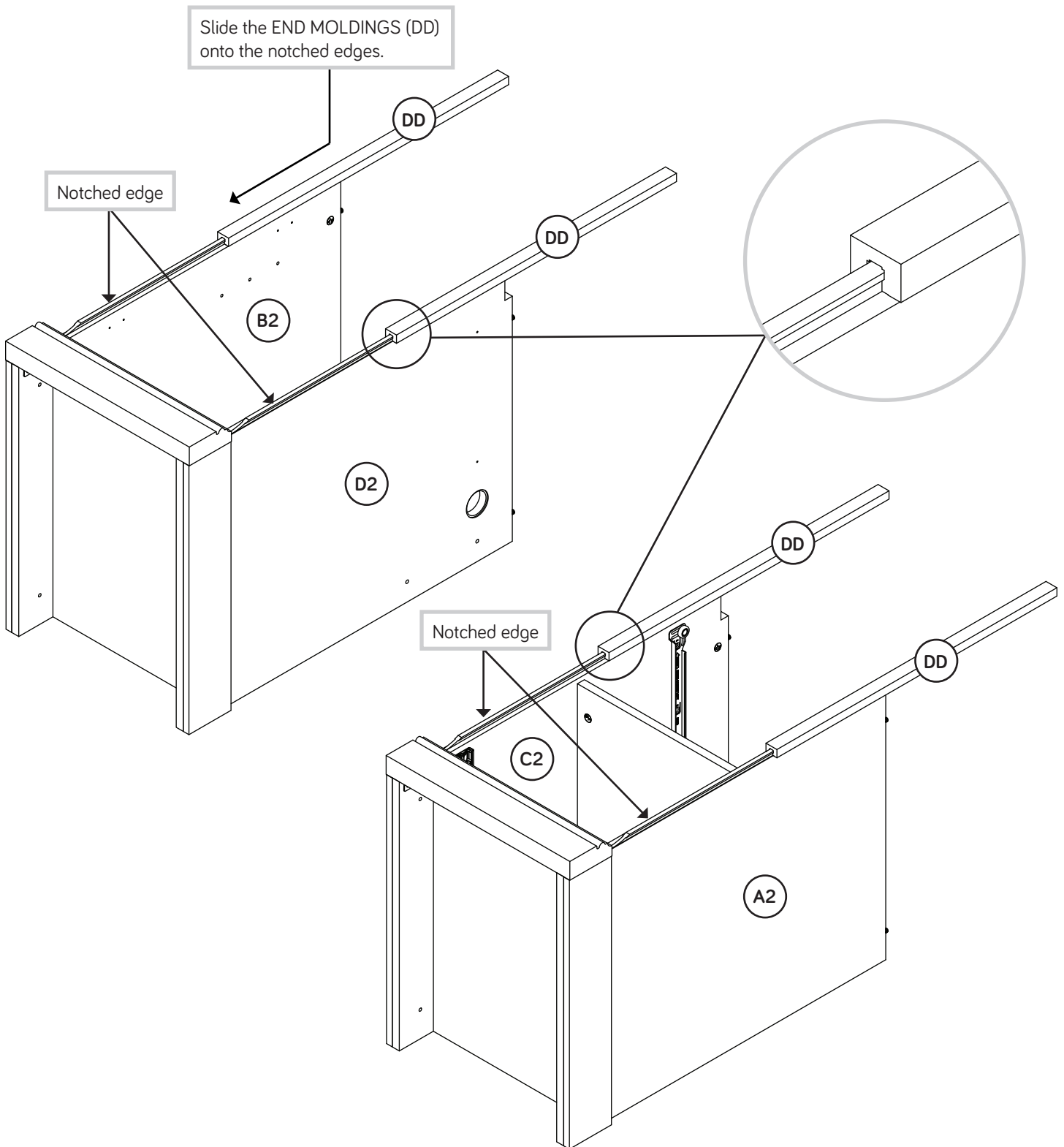
Fasten the BASES (O) to the ENDS (A2 and B2), UPRIGHTS (C2 and D2), and BOTTOMS (G2). Use six BLACK 9/16" LARGE HEAD SCREWS (1S) through the METAL BRACKETS on the ENDS, UPRIGHTS, and BOTTOMS and into the BASES.



Step 9

✚ Slide the END MOLDINGS* (DD) onto the notched edges of the ENDS (A2 and B2) and UPRIGHTS (C2 and D2).

✚ *U.S. Patent No. 5,499,886

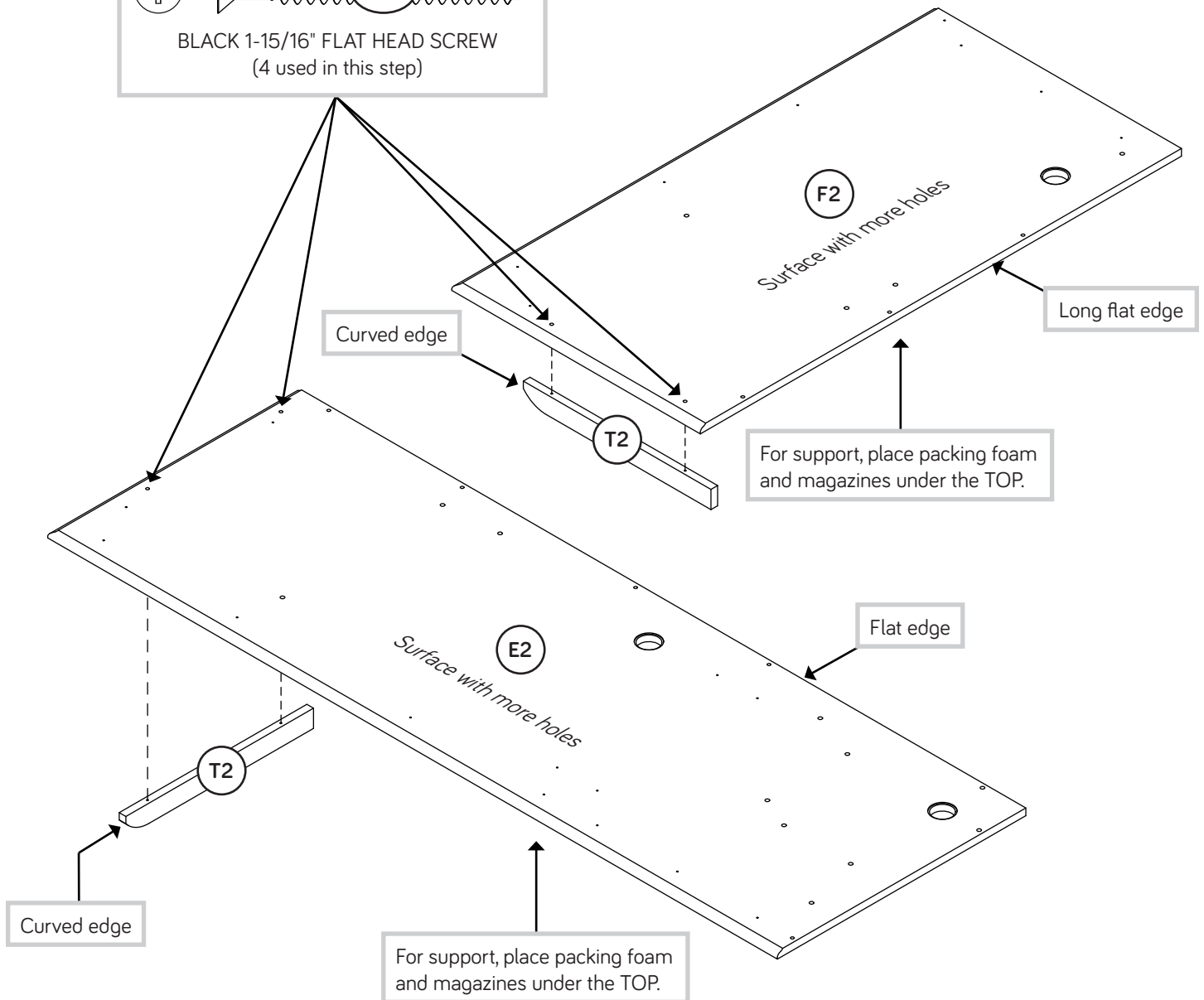
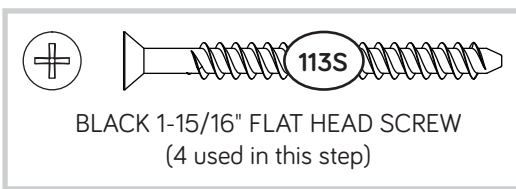


Step 10

Fasten the SIDE RAILS (T2) to the TOPS (E2 and F2). Use four BLACK 1-15/16" FLAT HEAD SCREWS (113S).

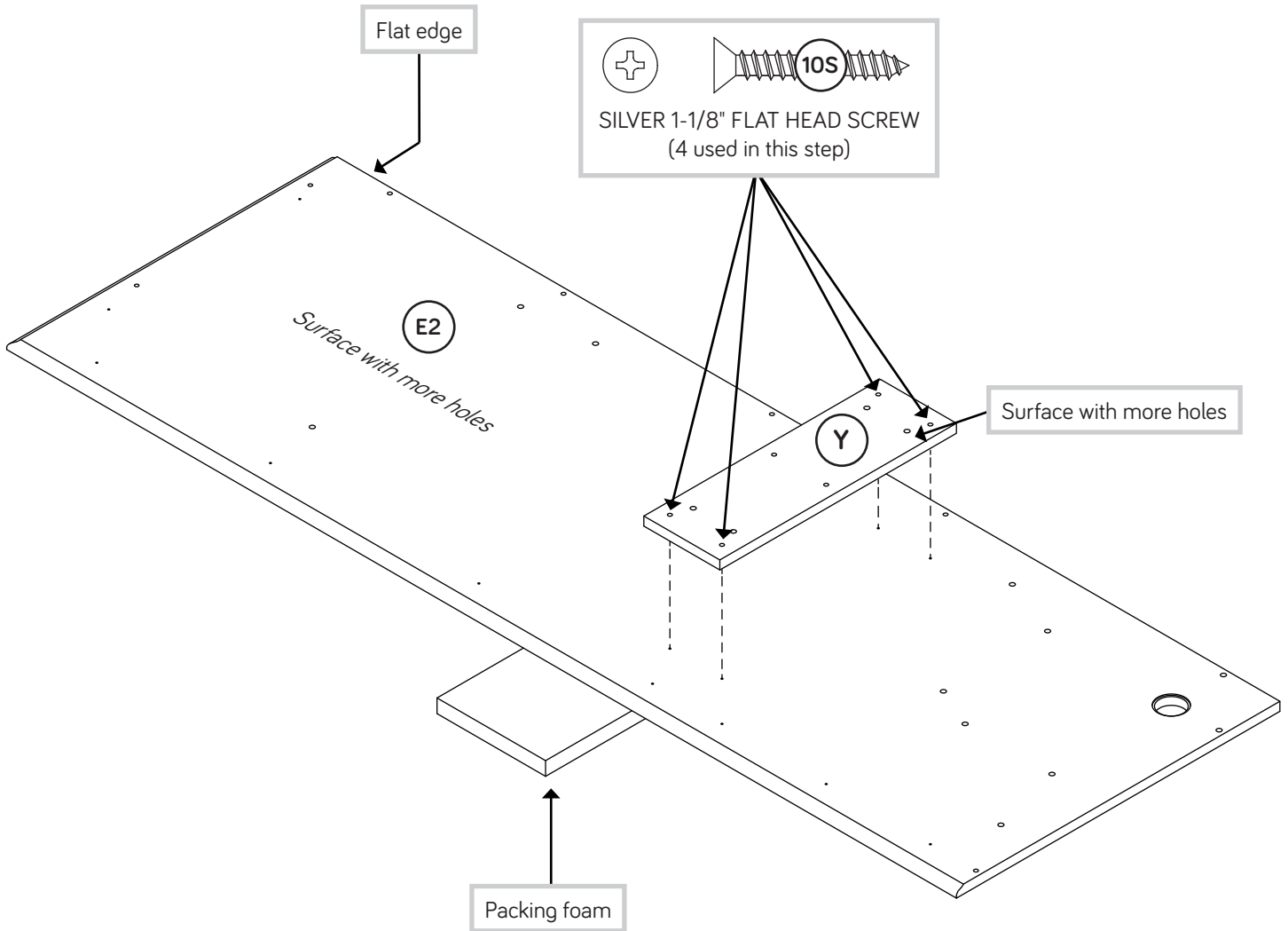


Don't worry. It isn't Rome. This can be built in a day.



Step 11

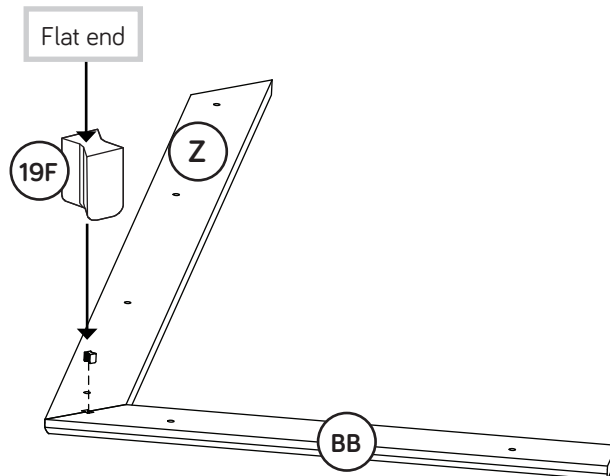
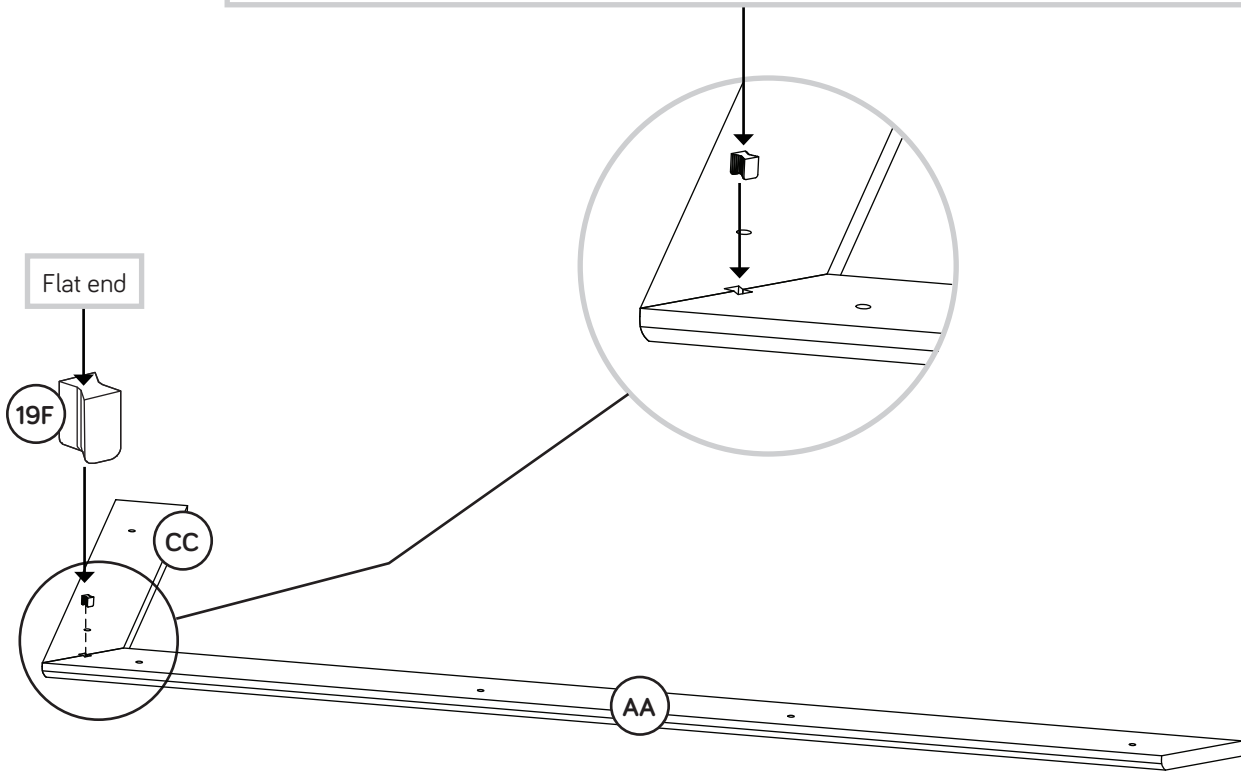
- Fasten a CONNECTOR PLATE (Y) to the LARGE TOP (E2). Use four SILVER 1-1/8" FLAT HEAD SCREWS (10S).



Step 12

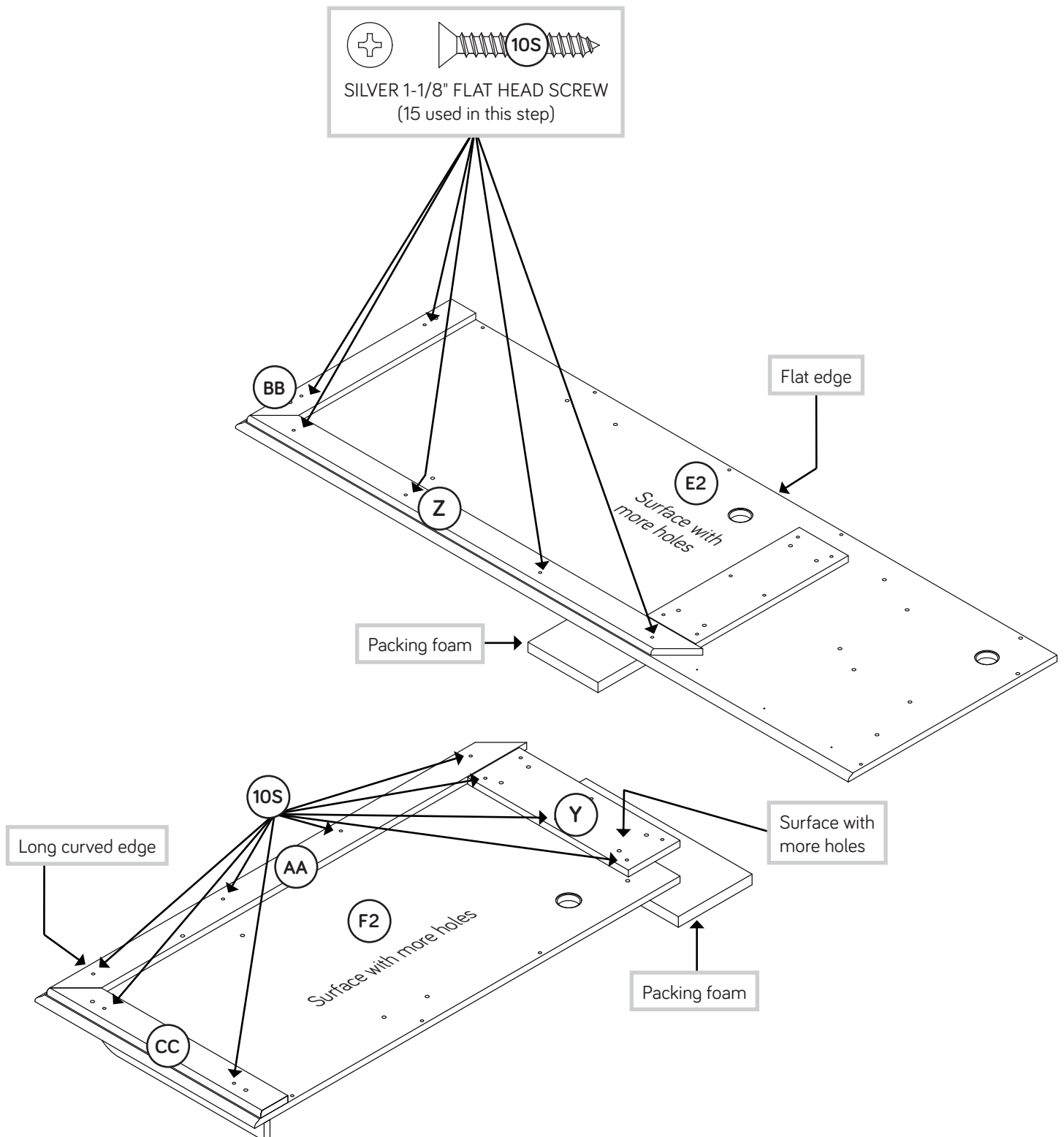
- Tap two MOLDING CONNECTORS (19F) into the notches in the MOLDINGS (Z, AA, BB, and CC).

Use your hammer to tap the MOLDING CONNECTORS (19F) into the notches in the MOLDINGS.



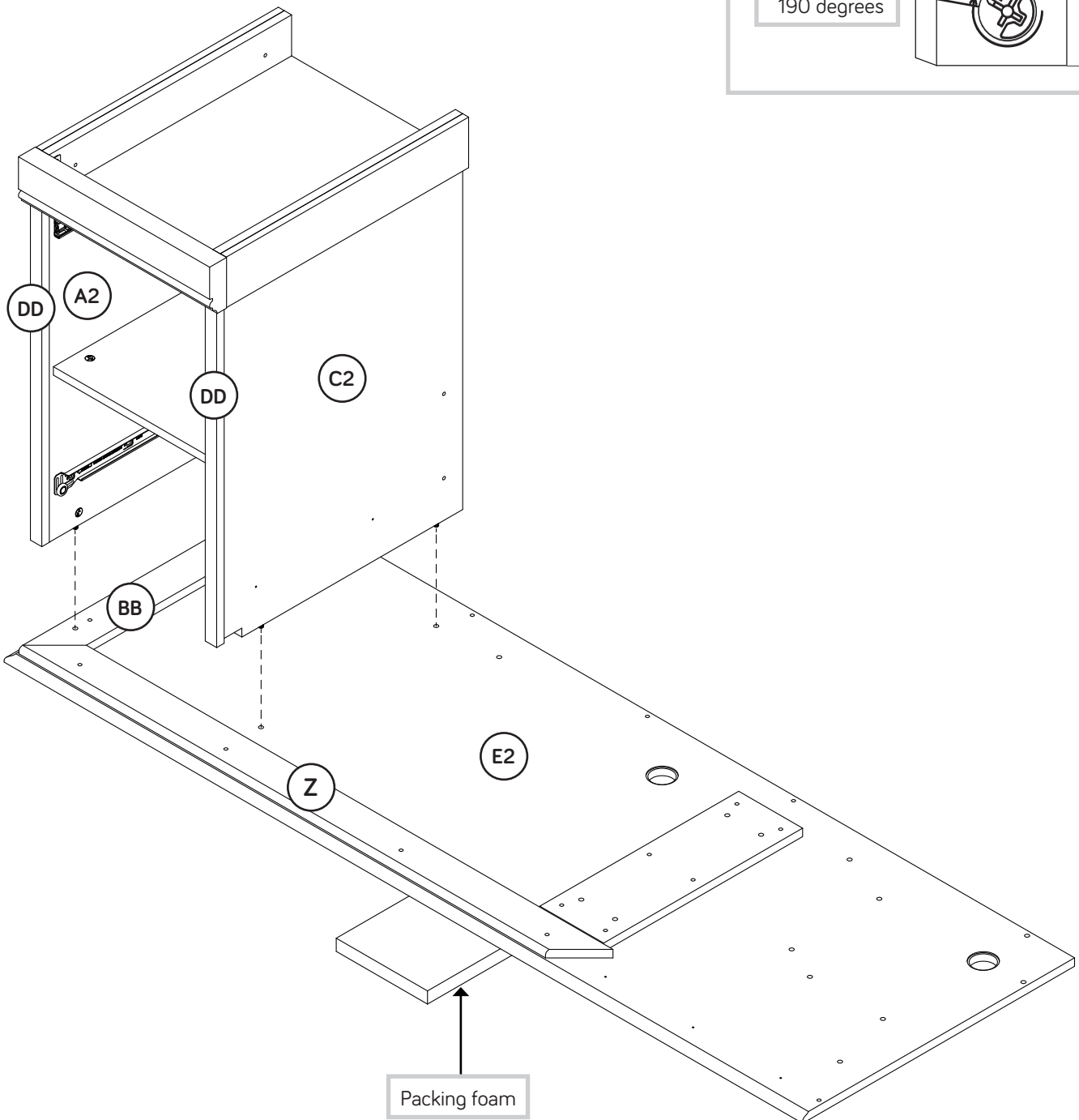
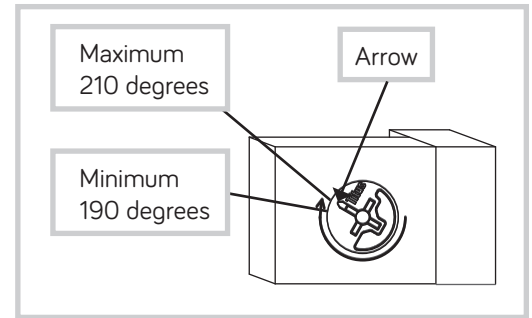
Step 13

- Fasten the other CONNECTOR PLATE (Y) to the SMALL TOP (F2). Use three SILVER 1-1/8" FLAT HEAD SCREWS (10S).
- Fasten the MOLDINGS (Z, AA, BB, and CC) to the TOPS (E2 and F2). Use twelve SILVER 1-1/8" FLAT HEAD SCREWS (10S).



Step 14

Fasten the RIGHT END (A2) and RIGHT UPRIGHT (C2) to the LARGE TOP (E2) and RIGHT MOLDING (BB). Tighten four HIDDEN CAMS.

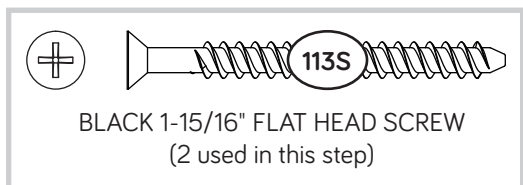
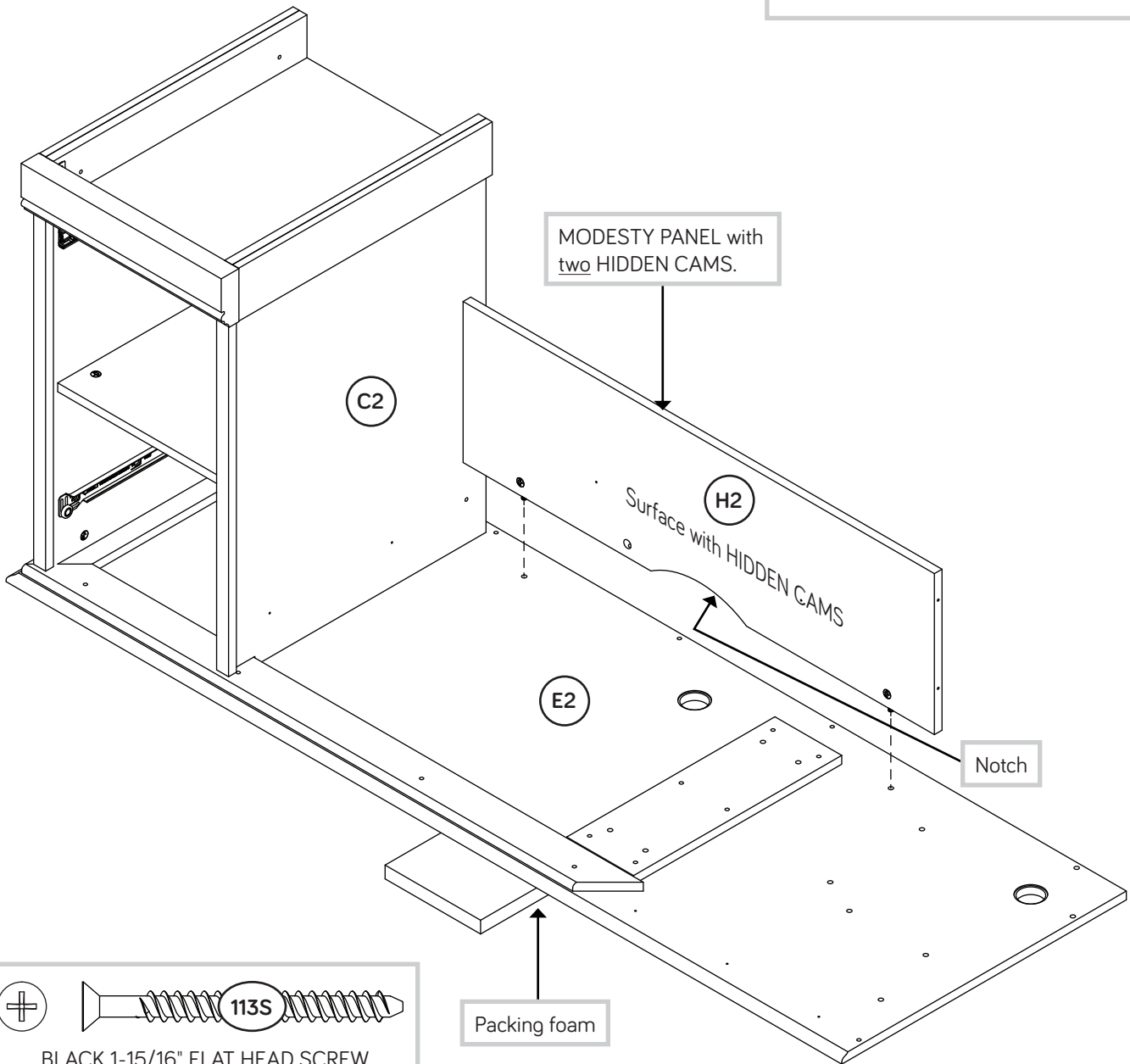
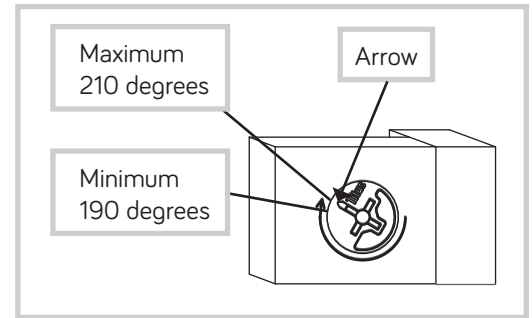


Step 15

Fasten the MODESTY PANEL (H2) to the LARGE TOP (E2).
Tighten two HIDDEN CAMS.

NOTE: Be sure the MODESTY PANEL with two HIDDEN CAMS is fastened to the LARGE TOP (E2).

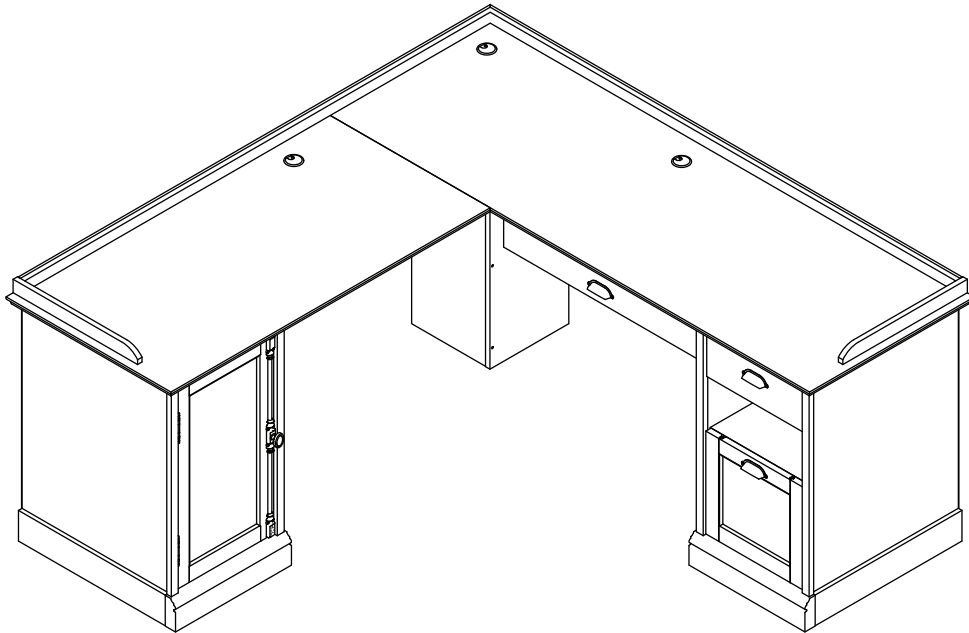
Fasten the MODESTY PANEL (H2) to the RIGHT UPRIGHT (C2). Use two BLACK 1-15/16" FLAT HEAD SCREWS (113S).



Step 16

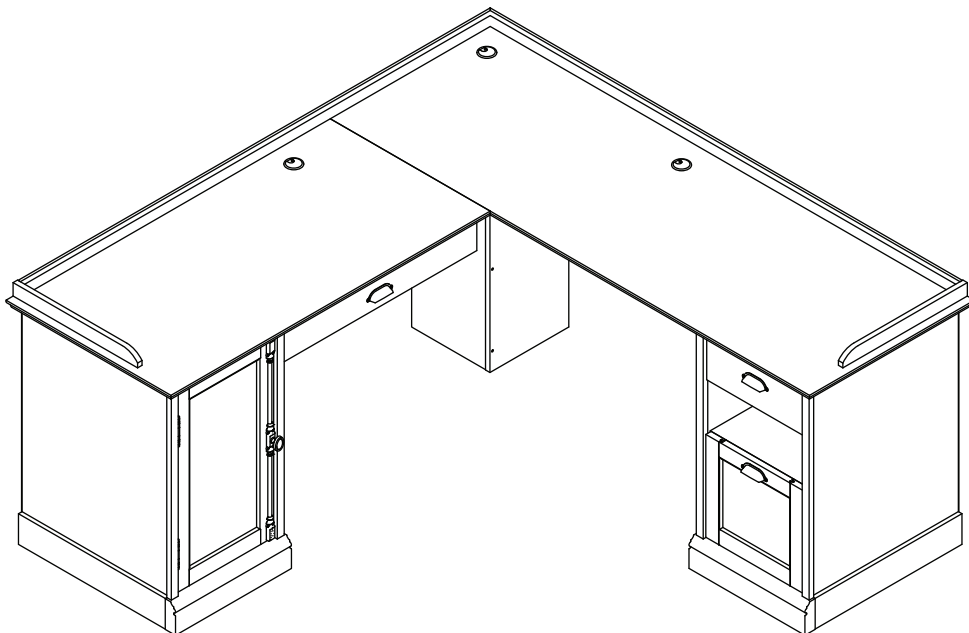
IMPORTANT: You have the option of assembling the pencil drawer to the right or left side of your unit. Follow the next step for this option.

PENCIL DRAWER ON RIGHT



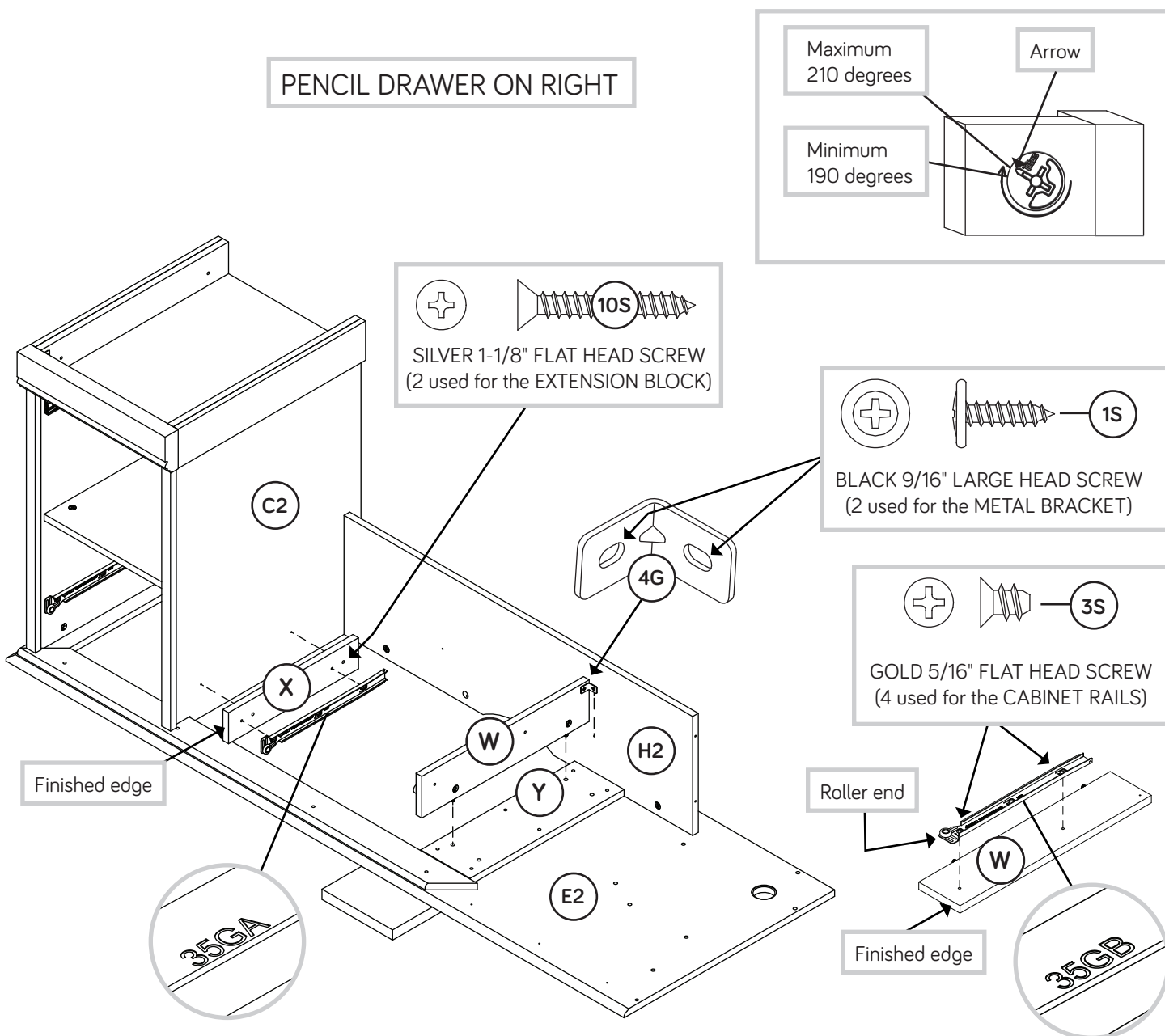
IMPORTANT: Go to Step 18 for this option.

PENCIL DRAWER ON LEFT



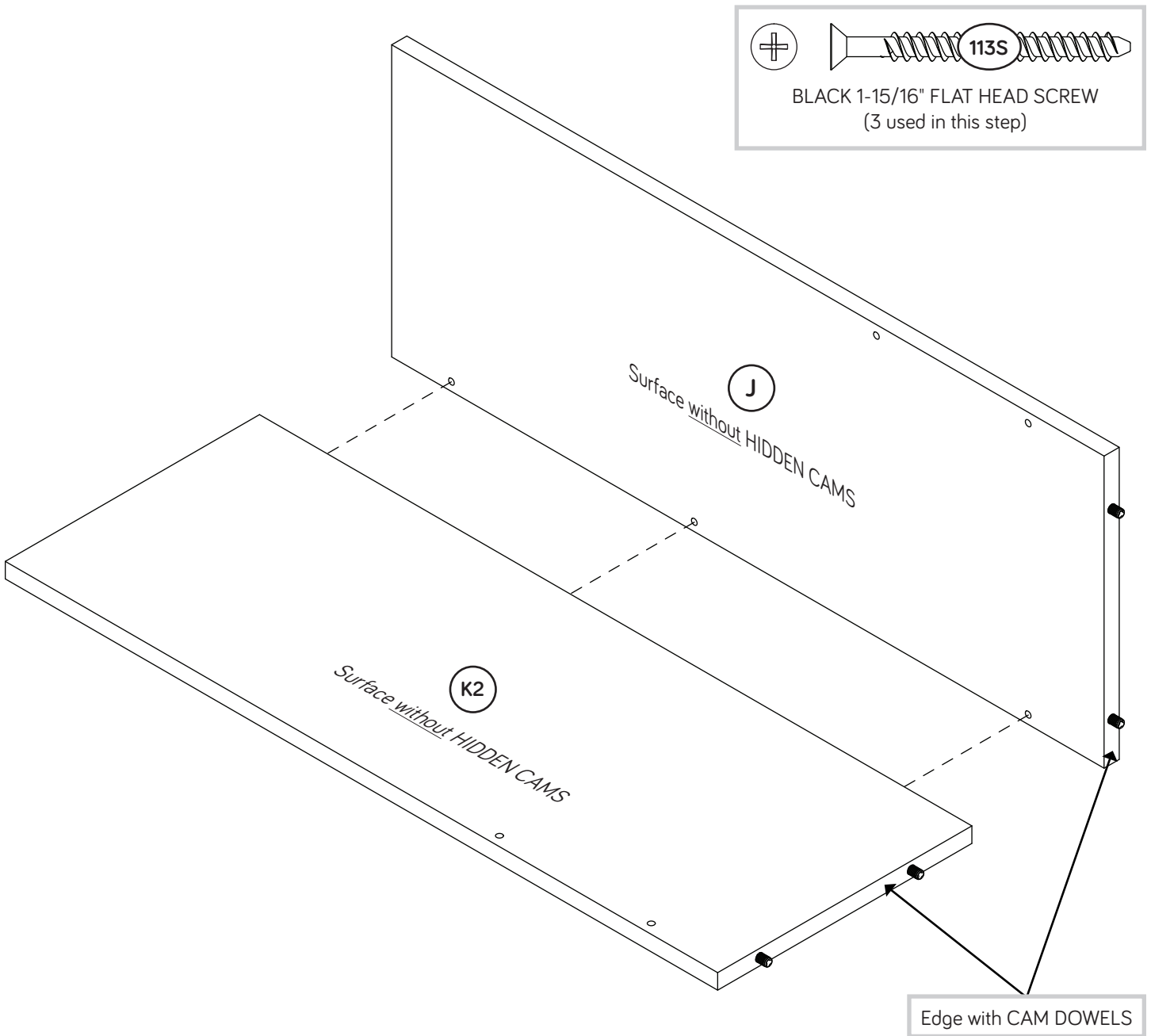
Step 17

- ✚ This step is for attaching your PENCIL DRAWER to the right side of your L-Desk. Skip this step if you are attaching the PENCIL DRAWER on the left side of your Desk.
- ✚ Fasten the EXTENSION BLOCK (X) to the RIGHT UPRIGHT (C2). Use two SILVER 1-1/8" FLAT HEAD SCREWS (10S) through the larger holes in the EXTENSION BLOCK.
- ✚ Now, fasten a CABINET RIGHT (35GA) to the EXTENSION BLOCK (X). Use two GOLD 5/16" FLAT HEAD SCREWS (3S) through holes #1 and #3.
- ✚ Fasten the CABINET LEFT (35GB) to the DRAWER UPRIGHT (W) as shown in the lower right. Use two GOLD 5/16" FLAT HEAD SCREWS (3S) through holes #1 and #3.
- ✚ Then, fasten the DRAWER UPRIGHT (W) to the CONNECTOR PLATE (Y). Tighten two HIDDEN CAMS.
- ✚ Next, fasten the DRAWER UPRIGHT (W) to the MODESTY PANEL (H2). Use a METAL BRACKET (4G) and two BLACK 9/16" LARGE HEAD SCREWS (1S).



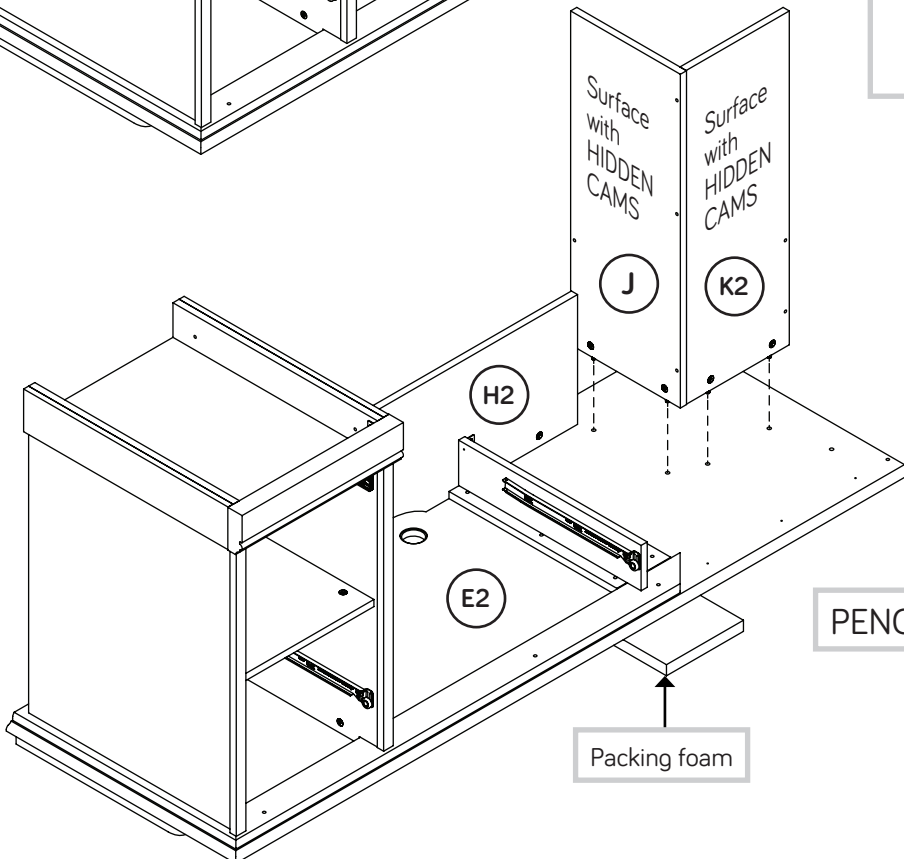
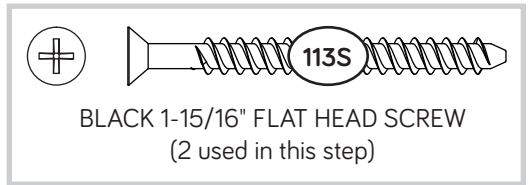
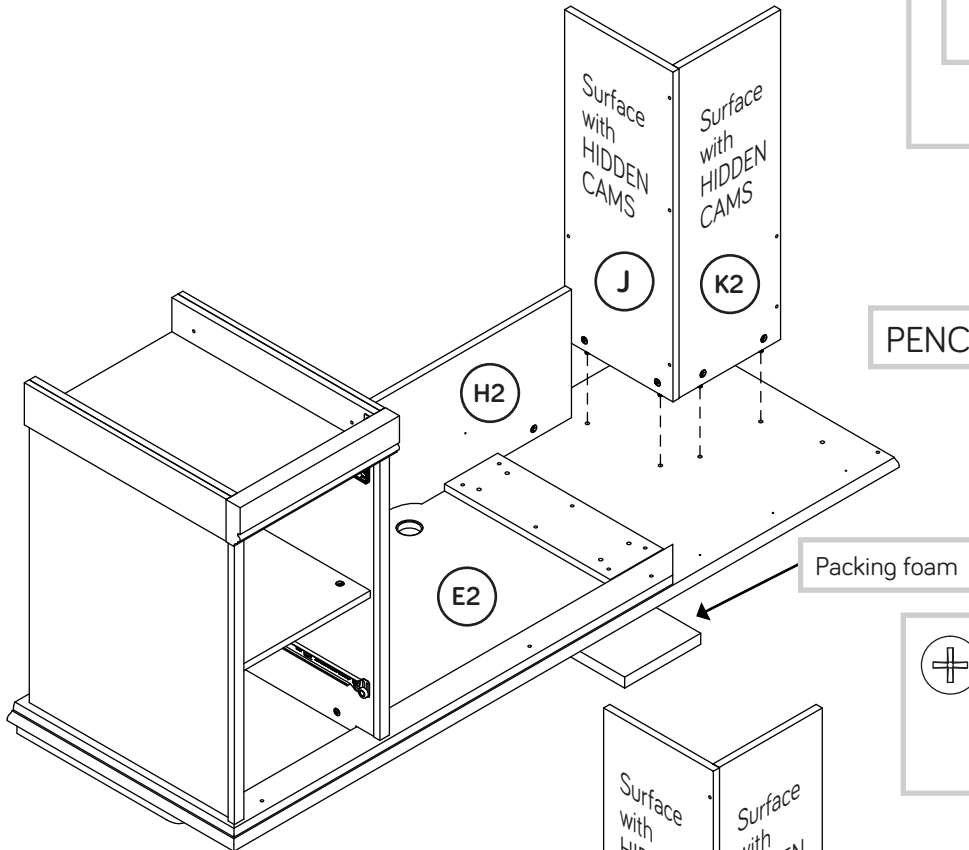
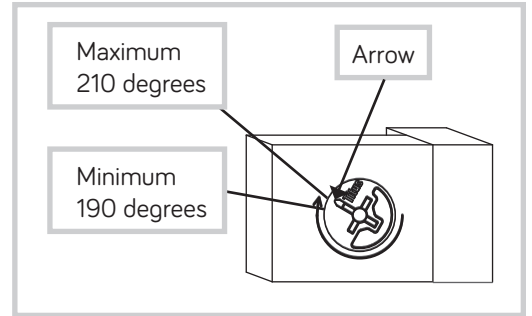
Step 18

- Fasten the RIGHT BACK (J) to the LEFT BACK (K2). Use three BLACK 1-15/16" FLAT HEAD SCREWS (113S).



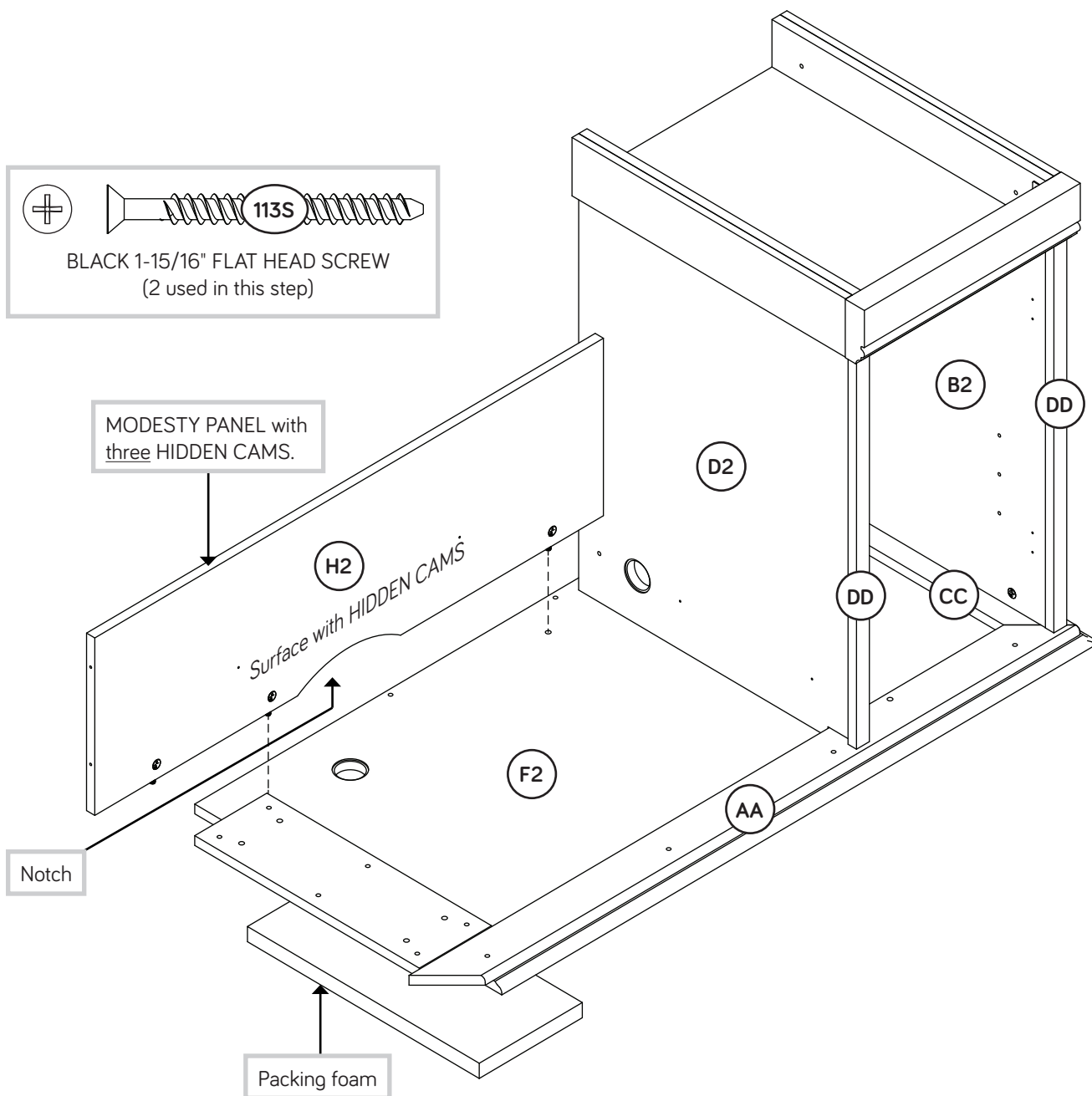
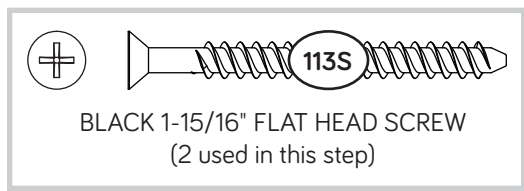
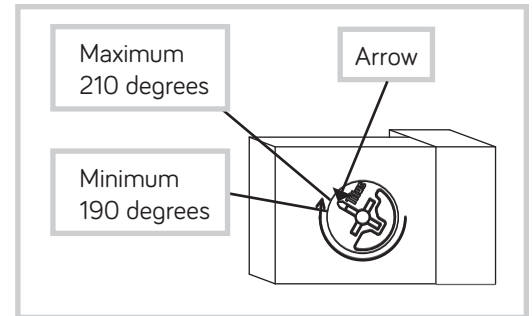
Step 19

- Fasten the BACKS (J and K2) to the LARGE TOP (E2).
Tighten four HIDDEN CAMS.
- Fasten the RIGHT BACK (J) to the MODESTY PANEL (H2).
Use two BLACK 1-15/16" FLAT HEAD SCREWS (113S).



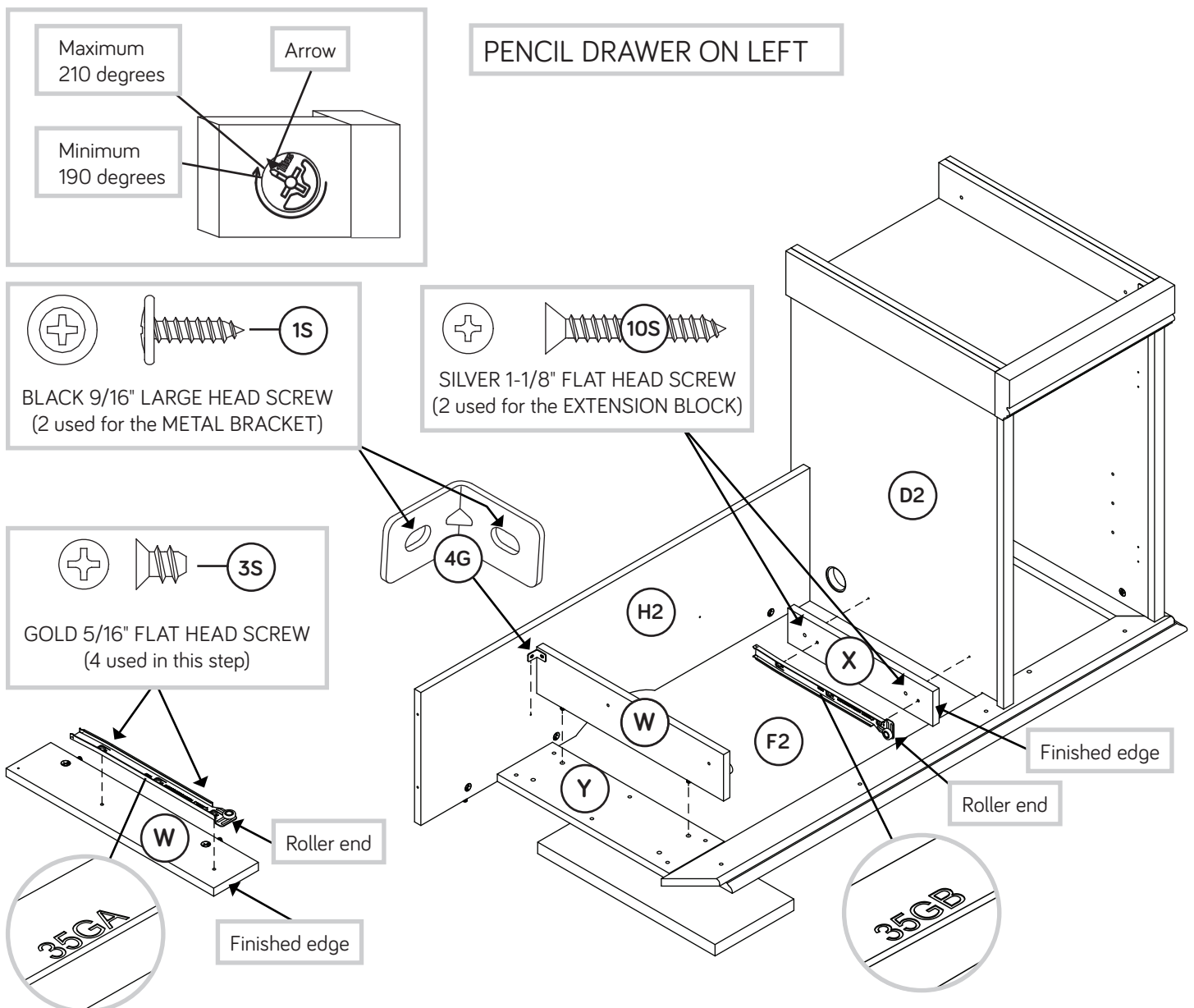
Step 20

- Fasten the LEFT END (B2) and LEFT UPRIGHT (D2) to the SMALL TOP (F2) and LEFT MOLDING (CC). Tighten four HIDDEN CAMS.
- Fasten the other MODESTY PANEL (H2) to the SMALL TOP (F2). Tighten two HIDDEN CAMS.
- Then, fasten the MODESTY PANEL (H2) to the LEFT UPRIGHT (D2). Use two BLACK 1-15/16" FLAT HEAD SCREWS (113S).



Step 21

- ✚ This step is for attaching your PENCIL DRAWER to the left side of your L-Desk. Skip this step if you are attaching the PENCIL DRAWER on the right side of your Desk.
- ✚ Fasten the EXTENSION BLOCK (X) to the RIGHT UPRIGHT (D2). Use two SILVER 1-1/8" FLAT HEAD SCREWS (10S) through the larger holes in the EXTENSION BLOCK.
- ✚ Now, fasten a CABINET LEFT (35GB) to the EXTENSION BLOCK (X). Use two GOLD 5/16" FLAT HEAD SCREWS (3S) through holes #1 and #3.
- ✚ Fasten the CABINET RIGHT (35GA) to the DRAWER UPRIGHT (W) as shown in the lower left. Use two GOLD 5/16" FLAT HEAD SCREWS (3S) through holes #1 and #3.
- ✚ Then, fasten the DRAWER UPRIGHT (W) to the CONNECTOR PLATE (Y). Tighten two HIDDEN CAMS.
- ✚ Next, fasten the DRAWER UPRIGHT (W) to the MODESTY PANEL (H2). Use a METAL BRACKET (4G) and two BLACK 9/16" LARGE HEAD SCREWS (1S).

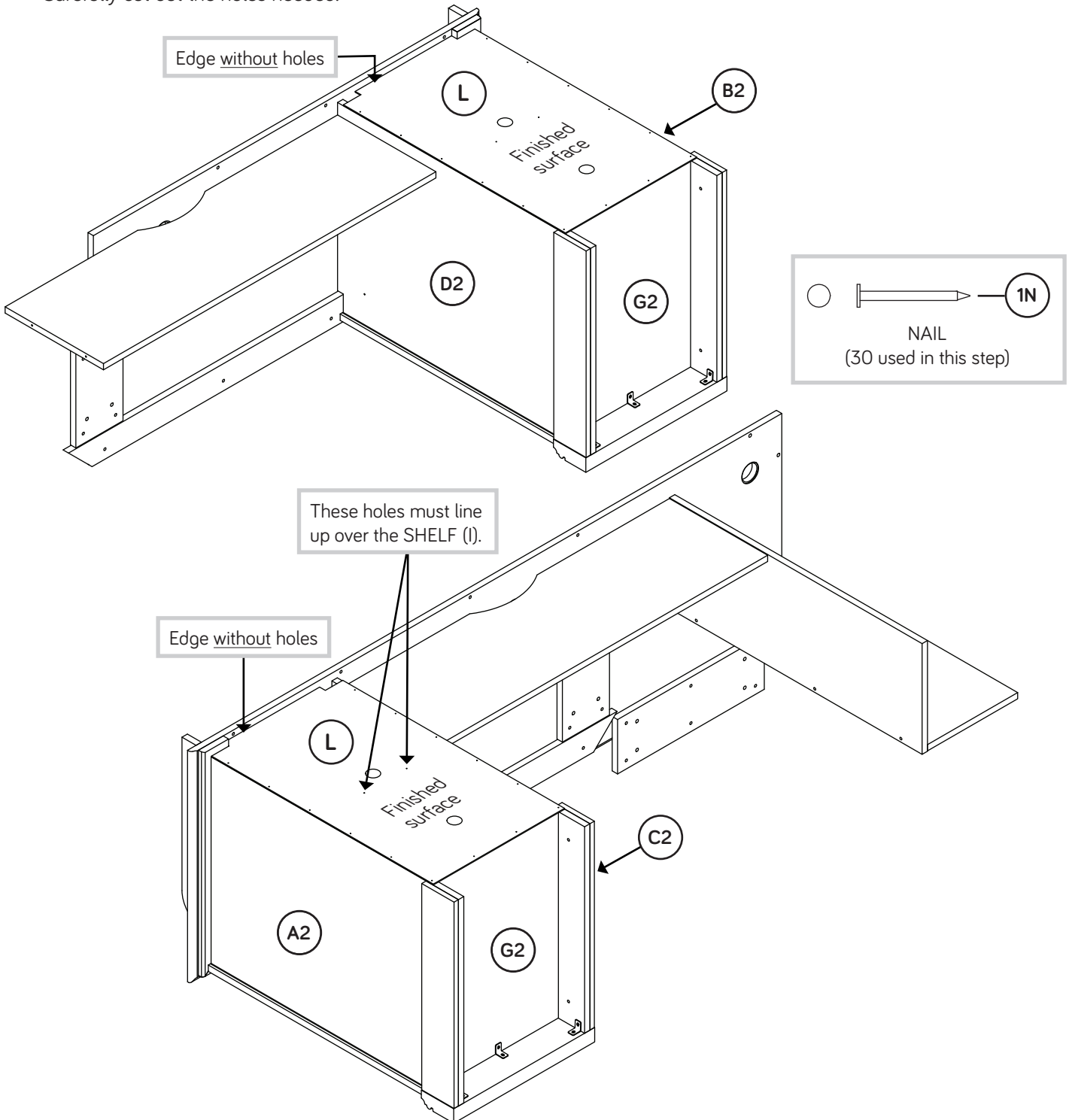


Step 22

- ✚ Carefully turn your assemblies over onto their front edges.
- ✚ Fasten the BACKS (L) to the ENDS (A2 and B2), UPRIGHTS (C2 and D2), and BOTTOMS (G2). Use thirty NAILS (1N).
- ✚ **NOTE:** Be sure to tap NAILS into the holes that line up over the SHELF (I).
- ✚ **NOTE:** Perforations have been provided for access through the BACK. Carefully cut out the holes needed.

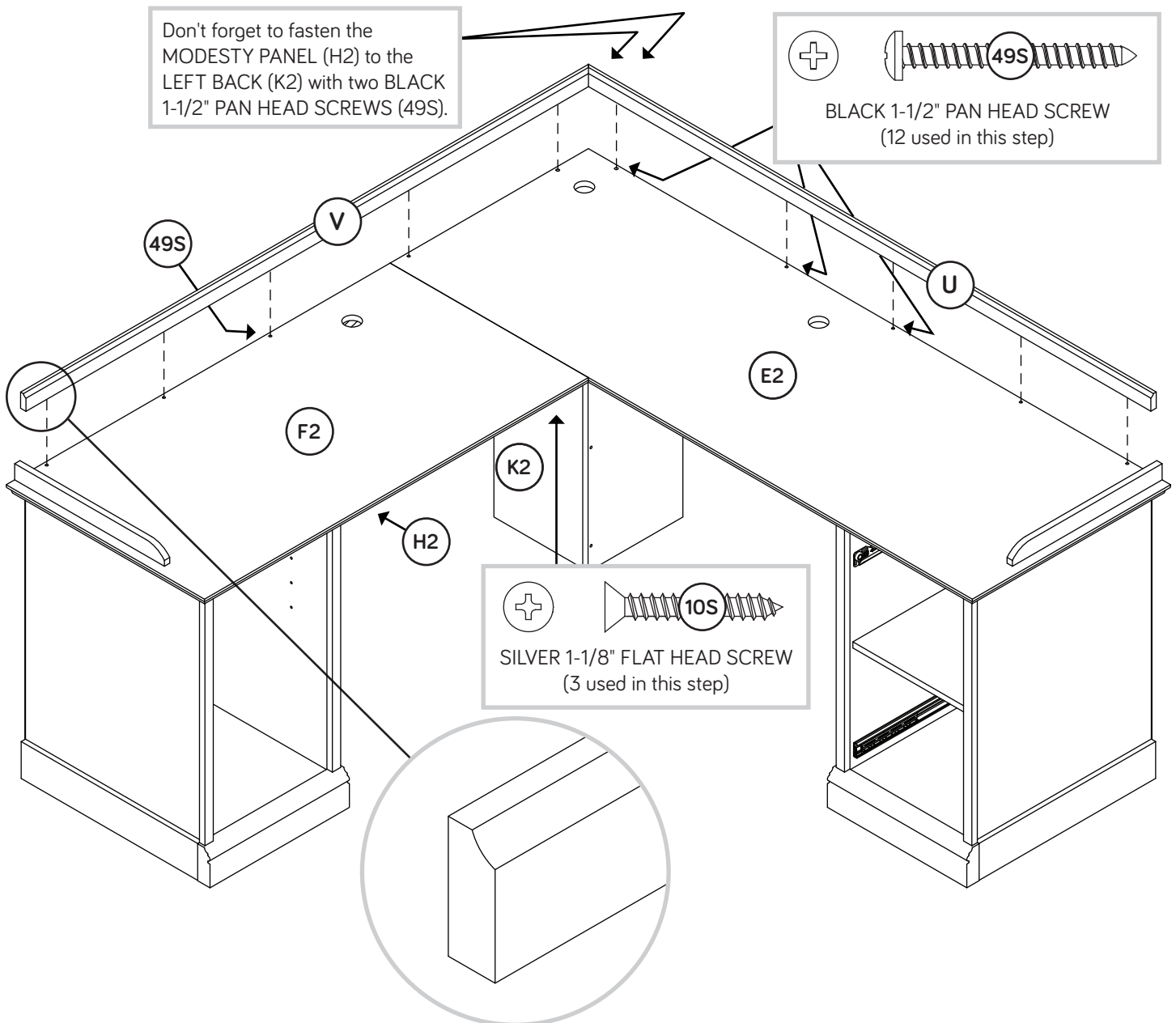
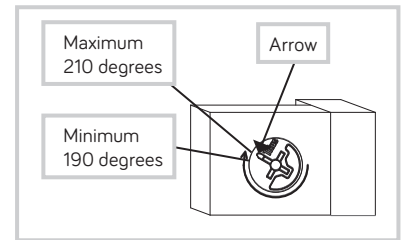


Do not stand the unit upright without the BACK fastened. The unit may collapse.



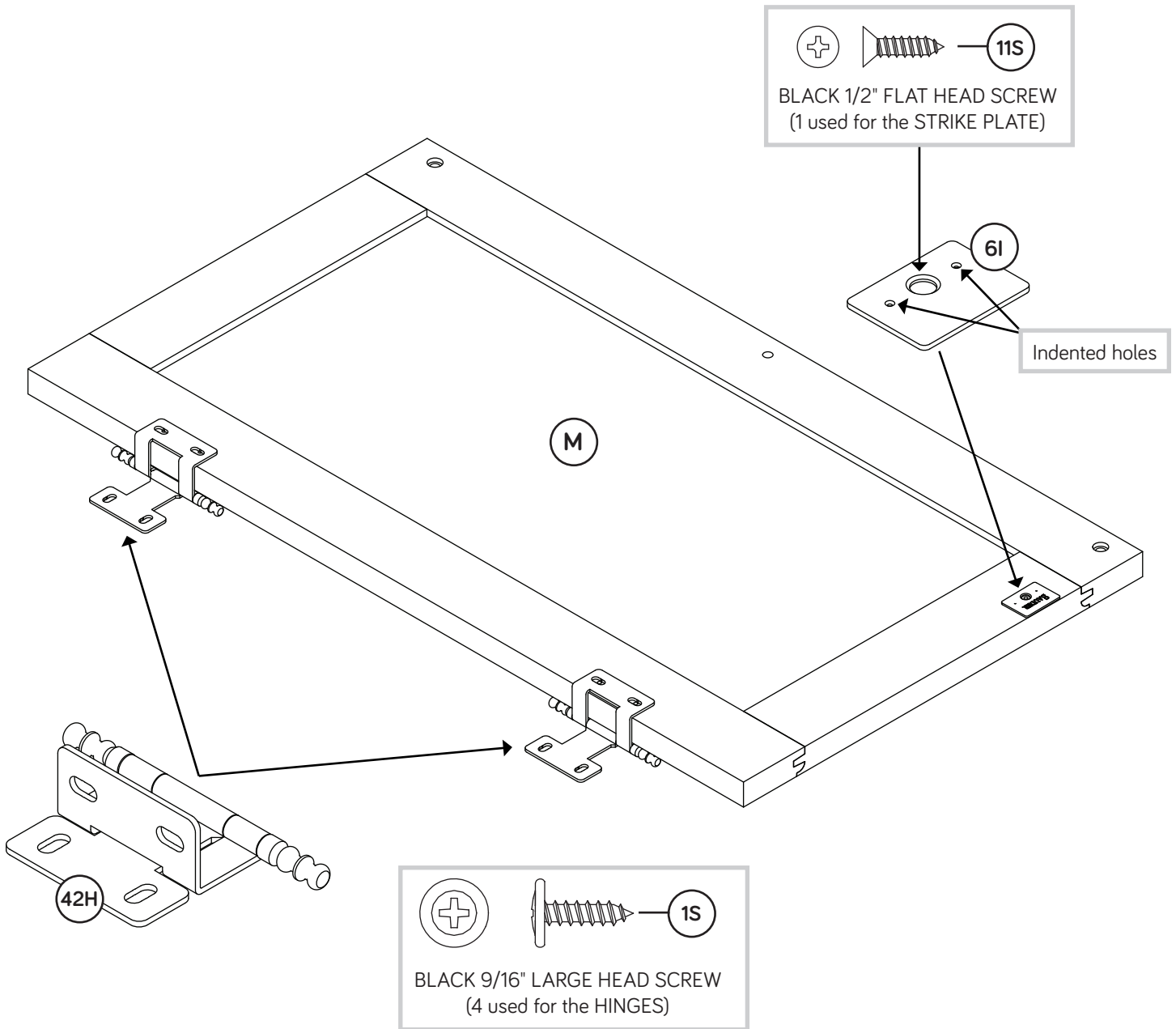
Step 23

- NOTE: You will need someone's help in this step.
- Carefully stand the assemblies upright.
- Fasten the LARGE TOP (E2) to the SMALL TOP (F2). Use three SILVER 1-1/8" FLAT HEAD SCREWS (10S) through the CONNECTOR PLATE on the SMALL TOP and into the LARGE TOP.
- Fasten the MODESTY PANEL (H2) to the LEFT BACK (K2). Use two BLACK 1-1/2" PAN HEAD SCREWS (49S).
- Fasten the MODESTY PANEL (H2) to the LARGE TOP (E2). Tighten one HIDDEN CAM.
- Fasten the RAILS (U and V) to the TOPS (E2 and F2). Use ten BLACK 1-1/2" PAN HEAD SCREWS (49S).



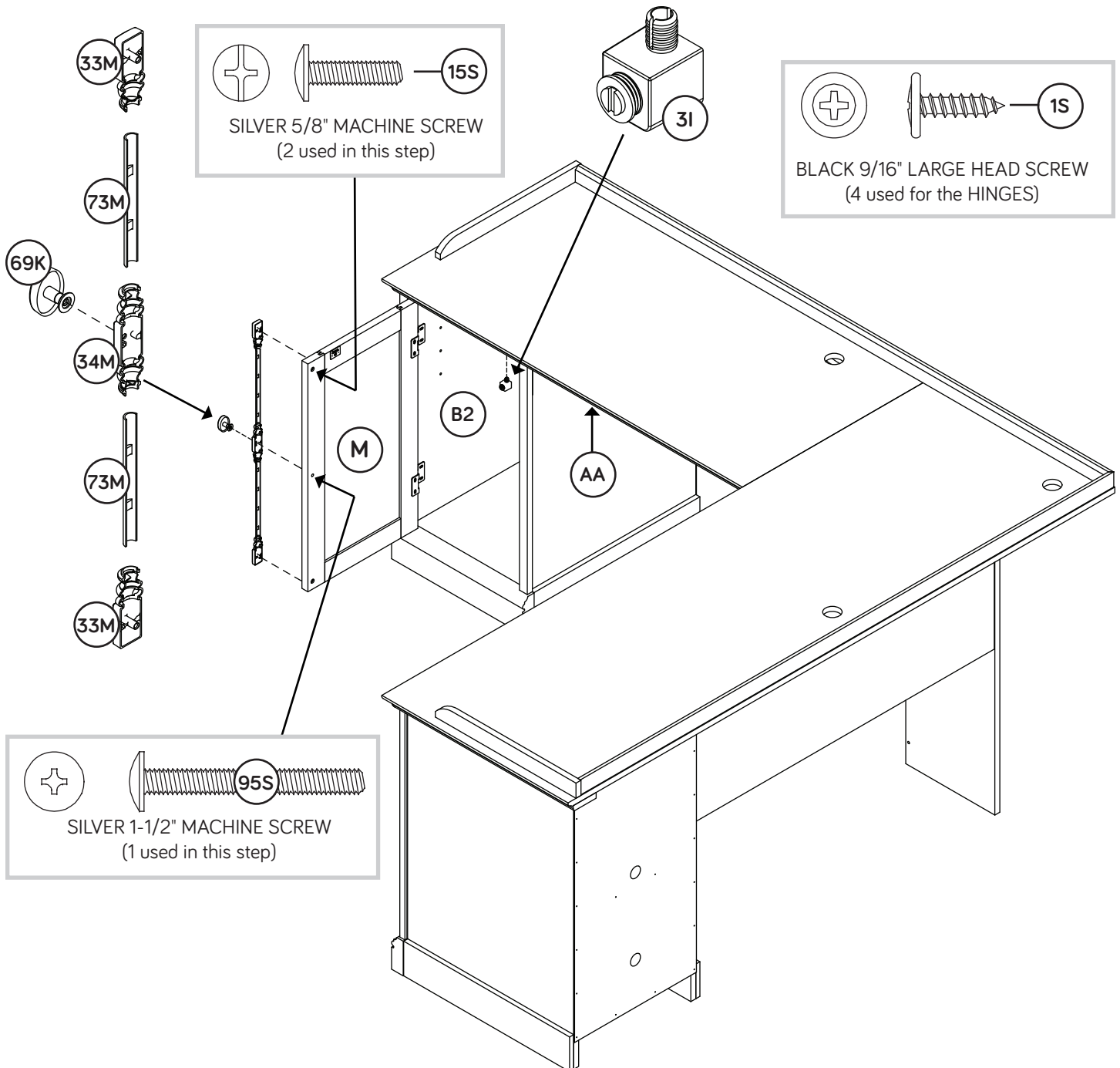
Step 24

- Fasten the HINGES (42H) to the DOOR (M). Use four BLACK 9/16" LARGE HEAD SCREWS (1S).
- Fasten a STRIKE PLATE (6I) to the DOOR (M). Use a BLACK 1/2" FLAT HEAD SCREW (11S).



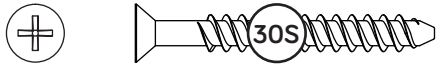
Step 25

- Fasten the DOOR (M) to the LEFT END (B2). Use four BLACK 9/16" LARGE HEAD SCREWS (1S).
- Fasten the DECORATIVE ENDS (33M) to the DOOR (M). Use two SILVER 5/8" MACHINE SCREWS (15S).
- Insert the DECORATIVE POSTS (73M) into the DECORATIVE ENDS.
- Fasten the DECORATIVE BACKPLATE (34M) and DECORATIVE KNOB (69K) to the DOOR (M). Use a SILVER 1-1/2" MACHINE SCREW (95S).
- Push the MAGNETIC CATCH (3I) into the hole in the LONG LEFT MOLDING (AA).

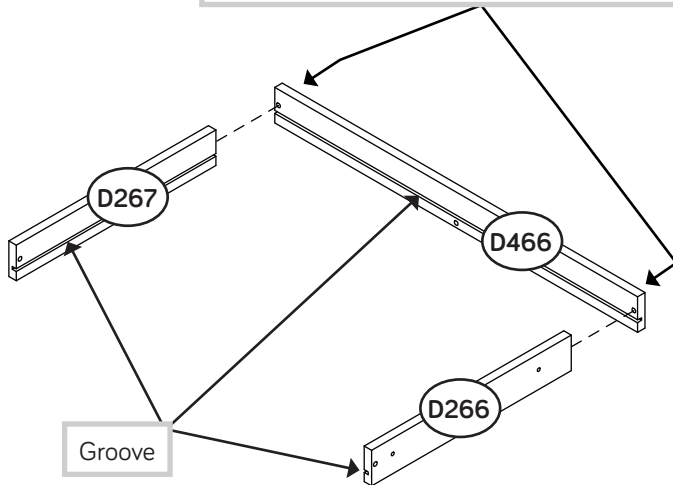


Step 26

1



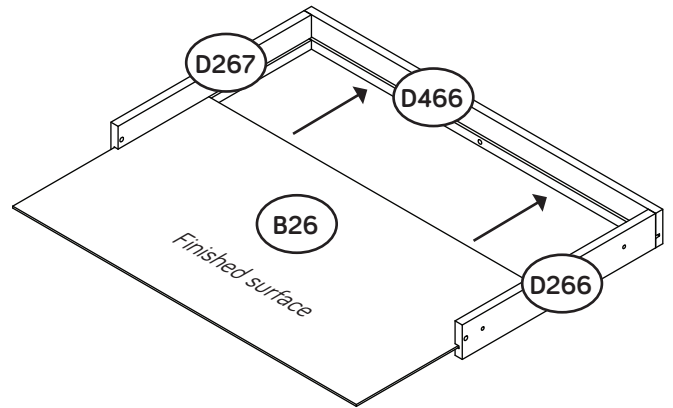
BLACK 1-9/16" FLAT HEAD SCREW
(6 used in this step)



Fasten the PENCIL DRAWER SIDES (D266 and D267) to the PENCIL DRAWER BACK (D466). Use two BLACK 1-9/16" FLAT HEAD SCREWS (30S).

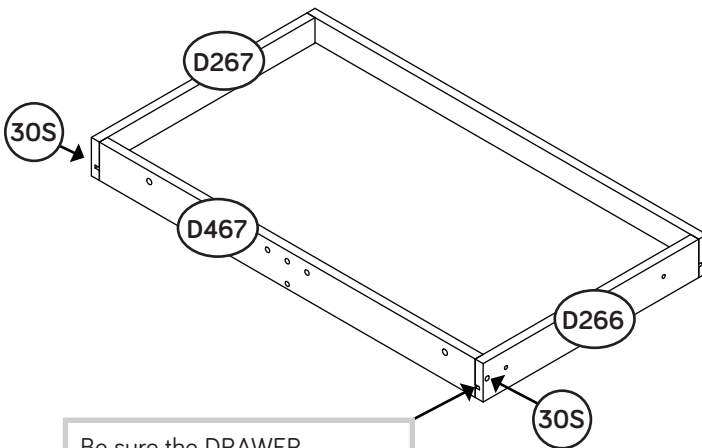
2

Be sure the DRAWER BOTTOM inserts into the DRAWER BACK groove.



Slide the PENCIL DRAWER BOTTOM (B26) into the grooves in the PENCIL DRAWER SIDES (D266 and D267) and PENCIL DRAWER BACK (D466).

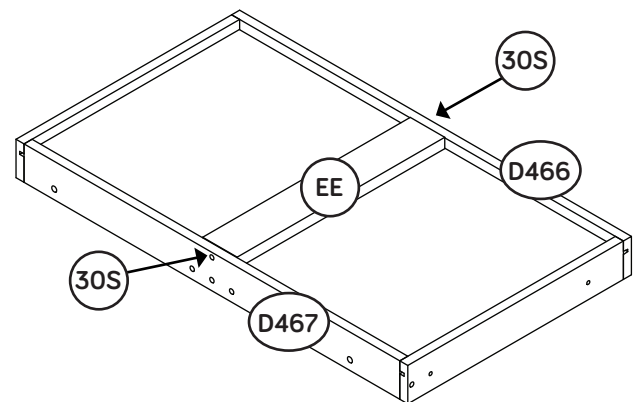
3



Be sure the DRAWER BOTTOM inserts into the DRAWER BOX FRONT groove.

Fasten the PENCIL DRAWER BOX FRONT (D467) to the PENCIL DRAWER SIDES (D266 and D267). Use two BLACK 1-9/16" FLAT HEAD SCREWS (30S).

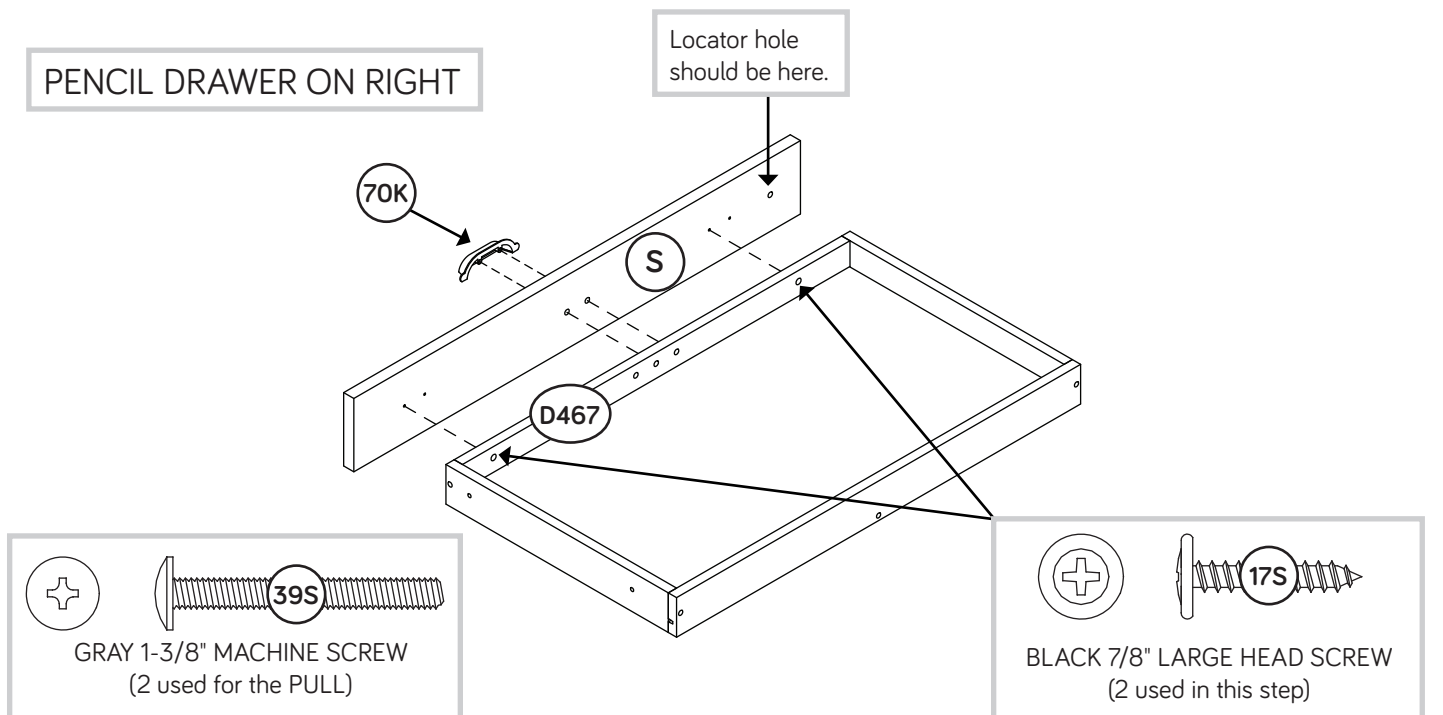
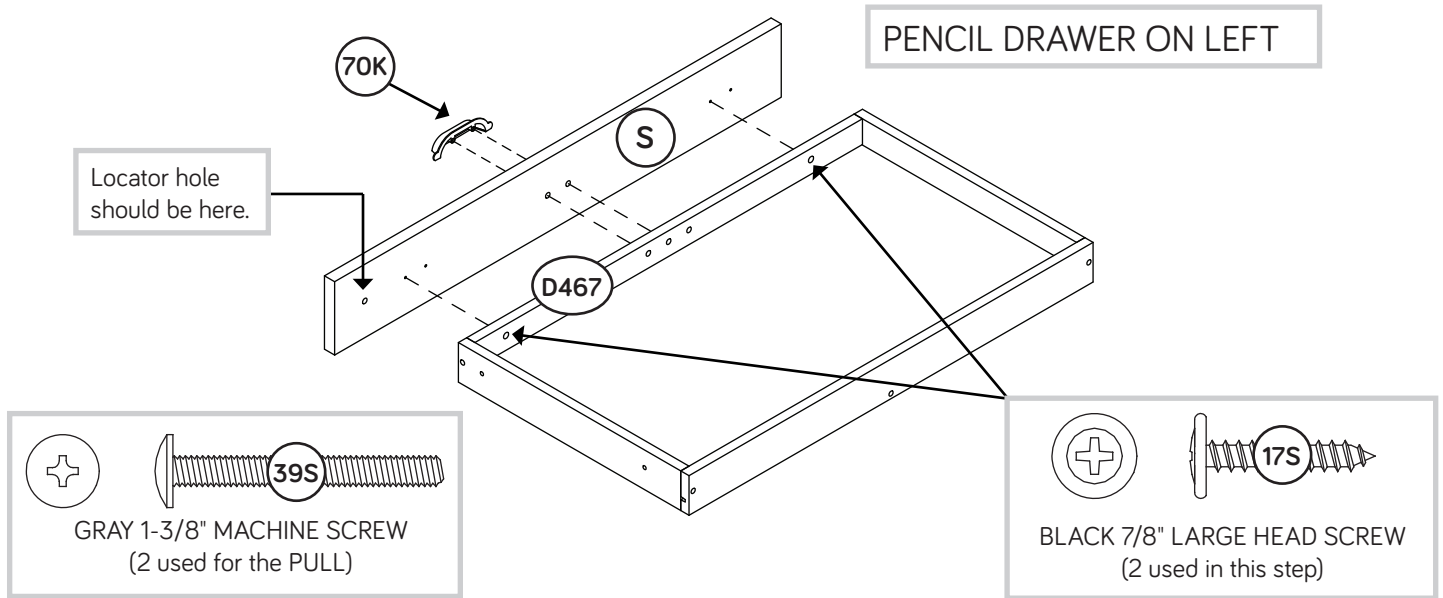
4



Turn the pencil drawer over and fasten the DRAWER BRACE (EE) to the PENCIL DRAWER BACK (D466) and PENCIL DRAWER BOX FRONT (D467). Use two BLACK 1-9/16" FLAT HEAD SCREWS (30S).

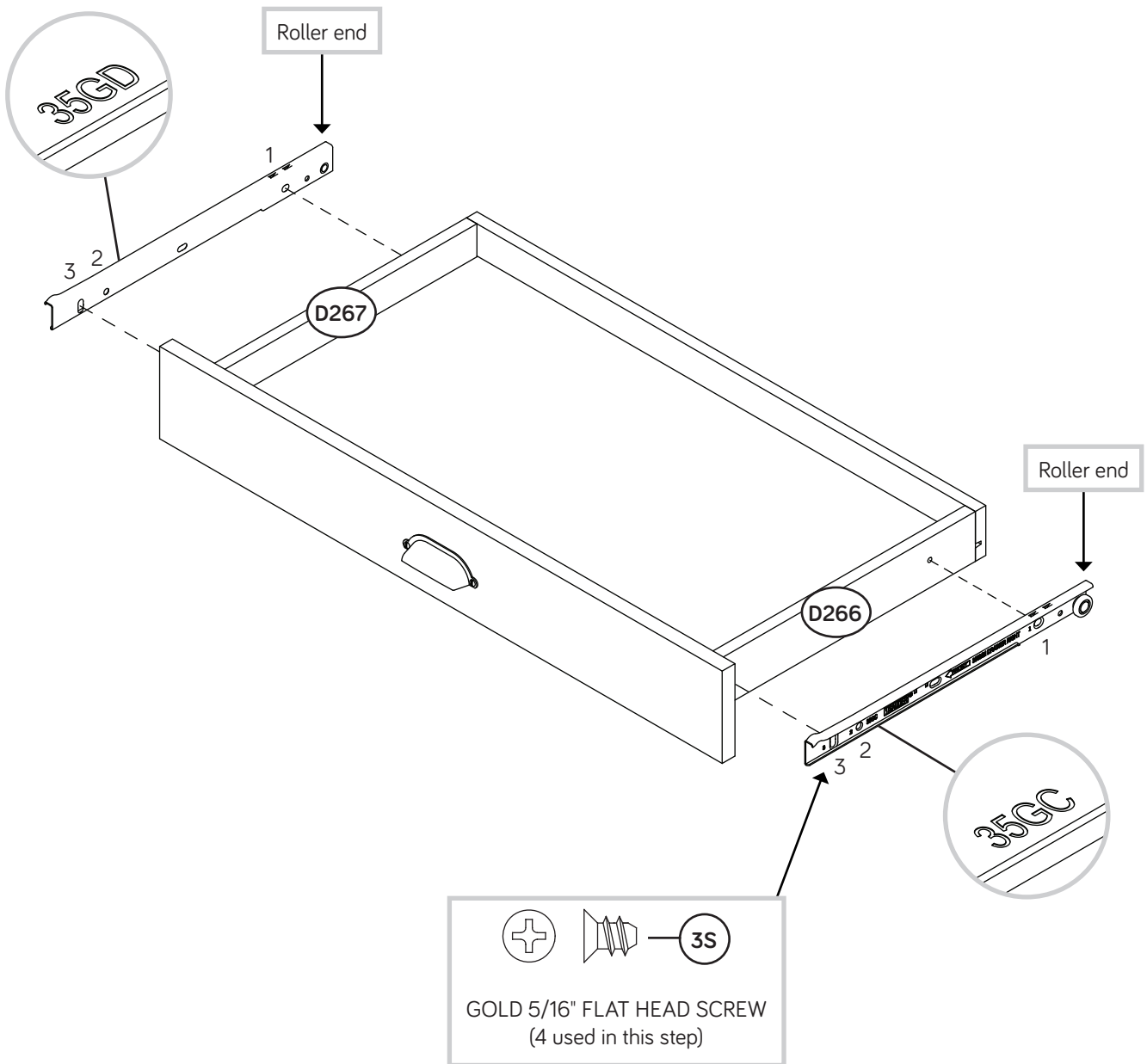
Step 27

- NOTE: Follow the option you chose in the diagram below. Be sure the locator hole is positioned exactly as shown.
- Fasten the PENCIL DRAWER FRONT (S) to the PENCIL DRAWER BOX FRONT (D467). Use two BLACK 7/8" LARGE HEAD SCREWS (17S) through the exact holes shown in the PENCIL DRAWER BOX FRONT and into the PENCIL DRAWER FRONT.
- Fasten the PULL (70K) to the PENCIL DRAWER FRONT (S). Use two GRAY 1-3/8" MACHINE SCREWS (39S) through the exact holes shown in the PENCIL DRAWER BOX FRONT (D467), through the PENCIL DRAWER FRONT, and into the PULL.



Step 28

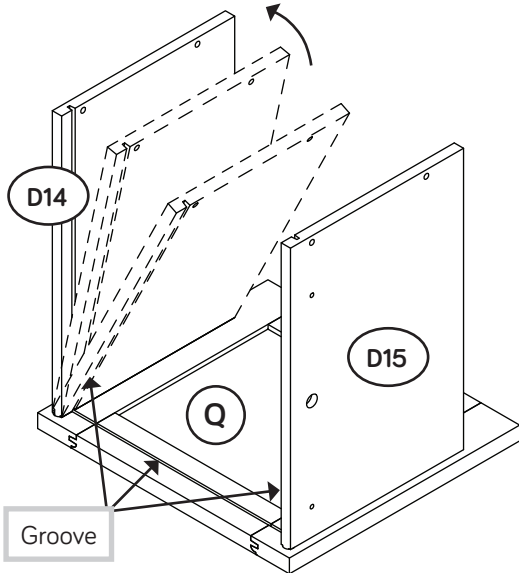
- Fasten a DRAWER RIGHT (35GC) to the PENCIL DRAWER RIGHT SIDE (D266) and a DRAWER LEFT (35GD) to the PENCIL DRAWER LEFT SIDE (D267). Use four GOLD 5/16" FLAT HEAD SCREWS (3S) through holes #1 and #3.



Step 29

1

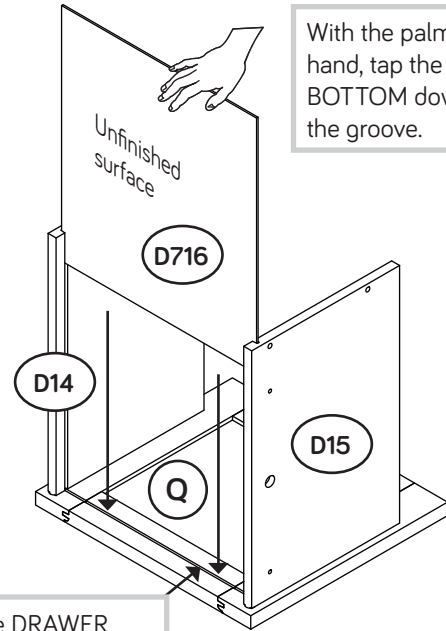
The tabs should insert freely into the slots. Gently tilt the DRAWER SIDES side to side until the tabs slip into the slots.



- ✚ Insert the LARGE DRAWER SIDES (D14 and D15) at an angle into the slot at each end of the LARGE DRAWER FRONT (Q).

2

With the palm of your hand, tap the DRAWER BOTTOM down into the groove.

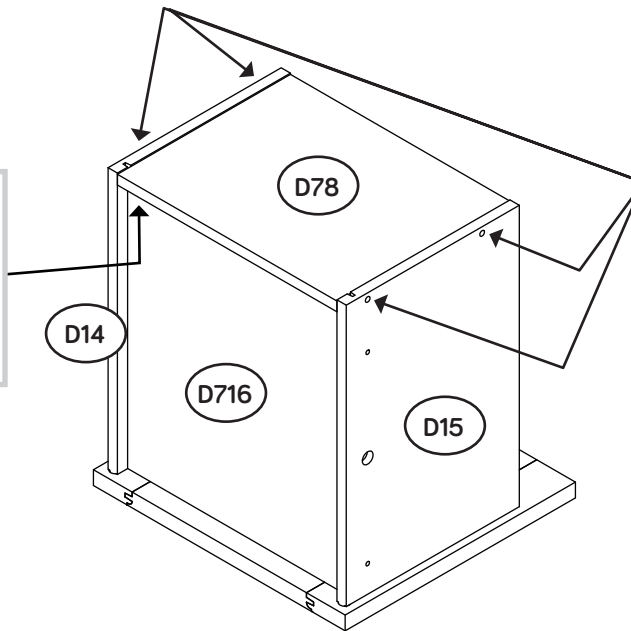


Be sure the DRAWER BOTTOM inserts into the DRAWER FRONT groove.

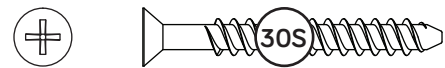
- ✚ Slide the LARGE DRAWER BOTTOM (D716) into the grooves in the LARGE DRAWER SIDES (D14 and D15) and LARGE DRAWER FRONT (Q).

3

Be sure the DRAWER BOTTOM inserts into the DRAWER BACK groove.



Start each screw a few turns before completely tightening any of them.



BLACK 1-9/16" FLAT HEAD SCREW
(8 used in this step)

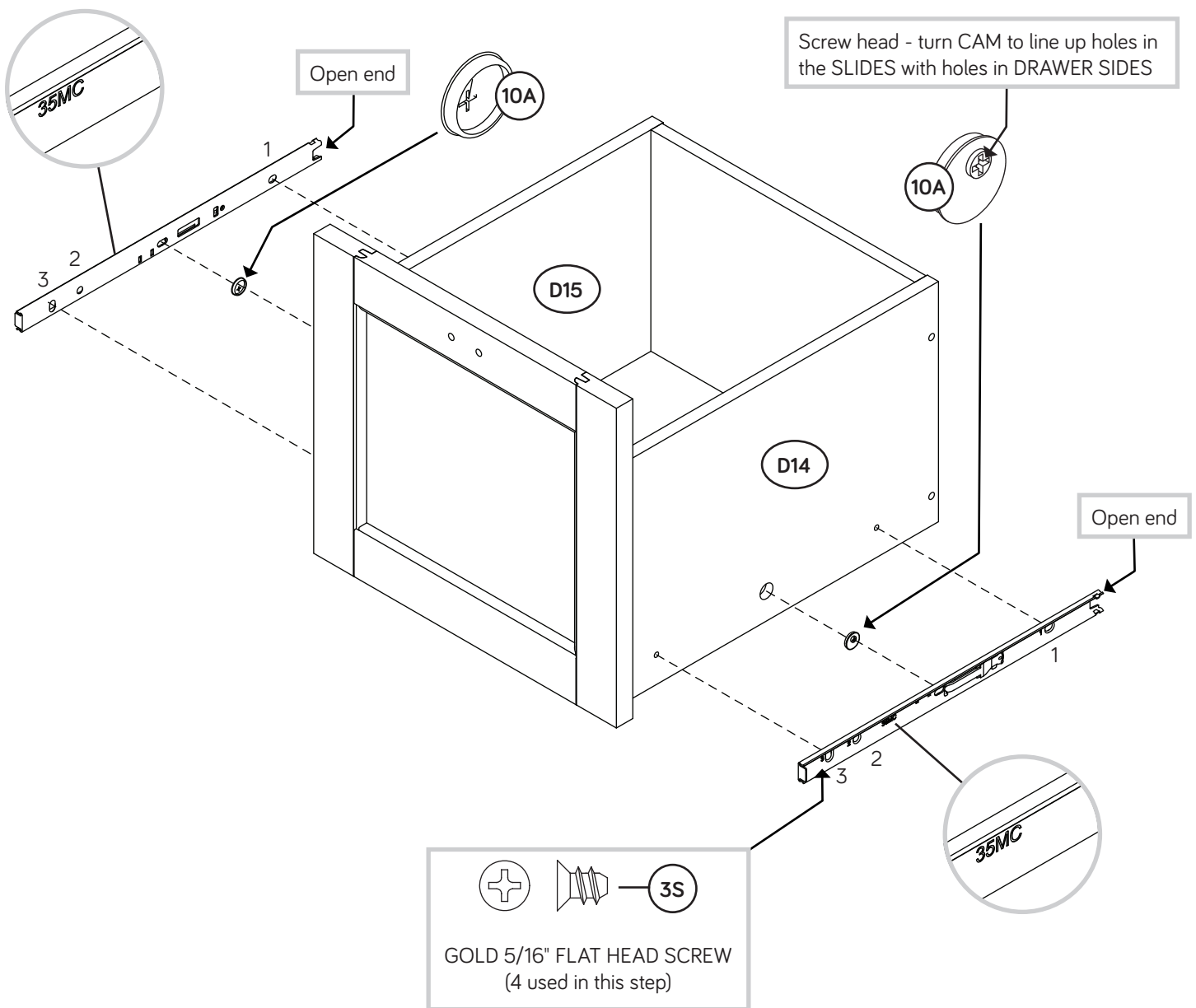
- ✚ Fasten the LARGE DRAWER BACK (D78) to the LARGE DRAWER SIDES (D14 and D15). Use four BLACK 1-9/16" FLAT HEAD SCREWS (30S).

- ✚ **NOTE:** Be sure the LARGE DRAWER BOTTOM (D716) inserts into the groove of the LARGE DRAWER BACK (D78).

- ✚ Repeat this step for the remaining drawer using the DRAWER FRONT (R), DRAWER SIDES (D24 and D25), and DRAWER BACK (D109).

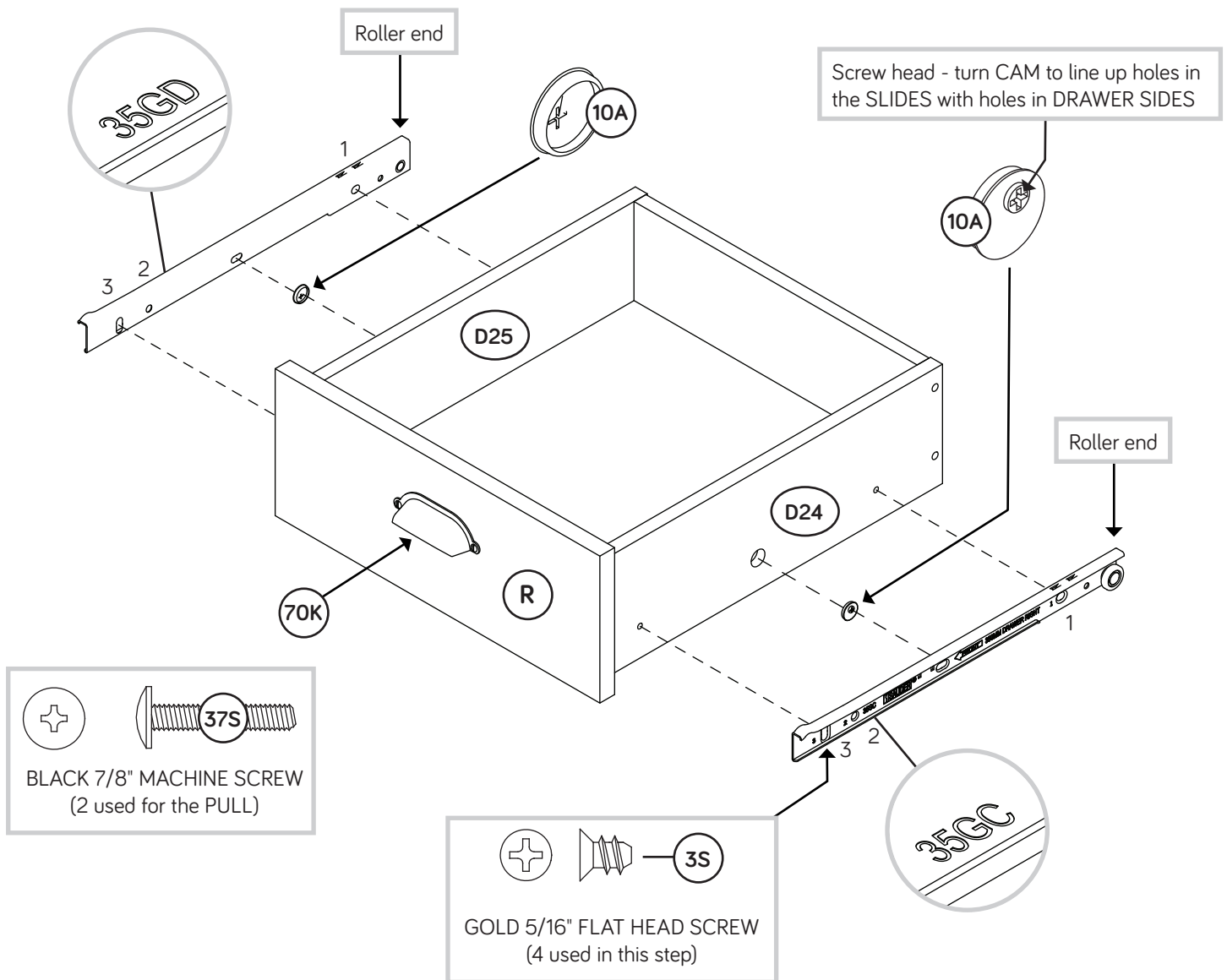
Step 30

- ✚ Insert a SLIDE CAM (10A) into the LARGE DRAWER SIDES (D14 and D15).
- ✚ Fasten the EXTENSION SLIDES (35MC) to the LARGE DRAWER SIDES (D14 and D15).
Use four GOLD 5/16" FLAT HEAD SCREWS (3S).
- ✚ NOTE: The screw head in the CAM must be visible through the slotted hole in the SLIDE.



Step 31

- ✚ Insert a SLIDE CAM (10A) into the DRAWER SIDES (D24 and D25).
- ✚ Fasten a DRAWER RIGHT (35GC) to the RIGHT DRAWER SIDE (D24) and a DRAWER LEFT (35GD) to the LEFT DRAWER SIDE (D25). Use four GOLD 5/16" FLAT HEAD SCREWS (3S) through holes #1 and #3.
- ✚ **NOTE:** The screw head in the CAM must be visible through the slotted hole in the SLIDE.
- ✚ Fasten a PULL (70K) to the DRAWER FRONT (R). Use two BLACK 7/8" MACHINE SCREWS (37S).

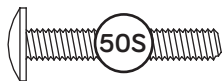
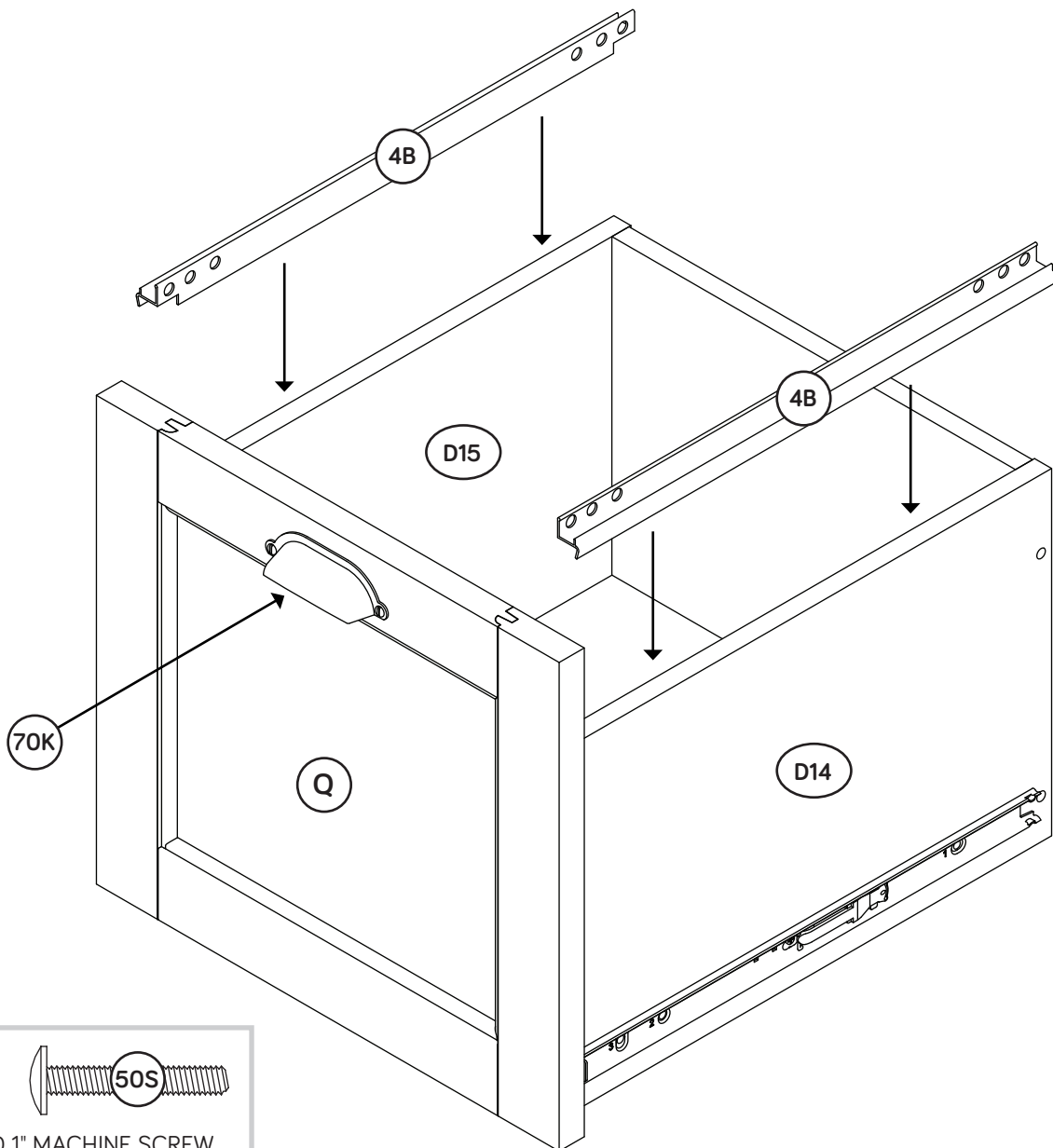


Step 32

- Fasten a PULL (70K) to the LARGE DRAWER FRONT (Q).
Use two GOLD 1" MACHINE SCREWS (50S).
- Push the FILE GLIDES (4B) onto the LARGE DRAWER SIDES (D14 and D15).

Zzz

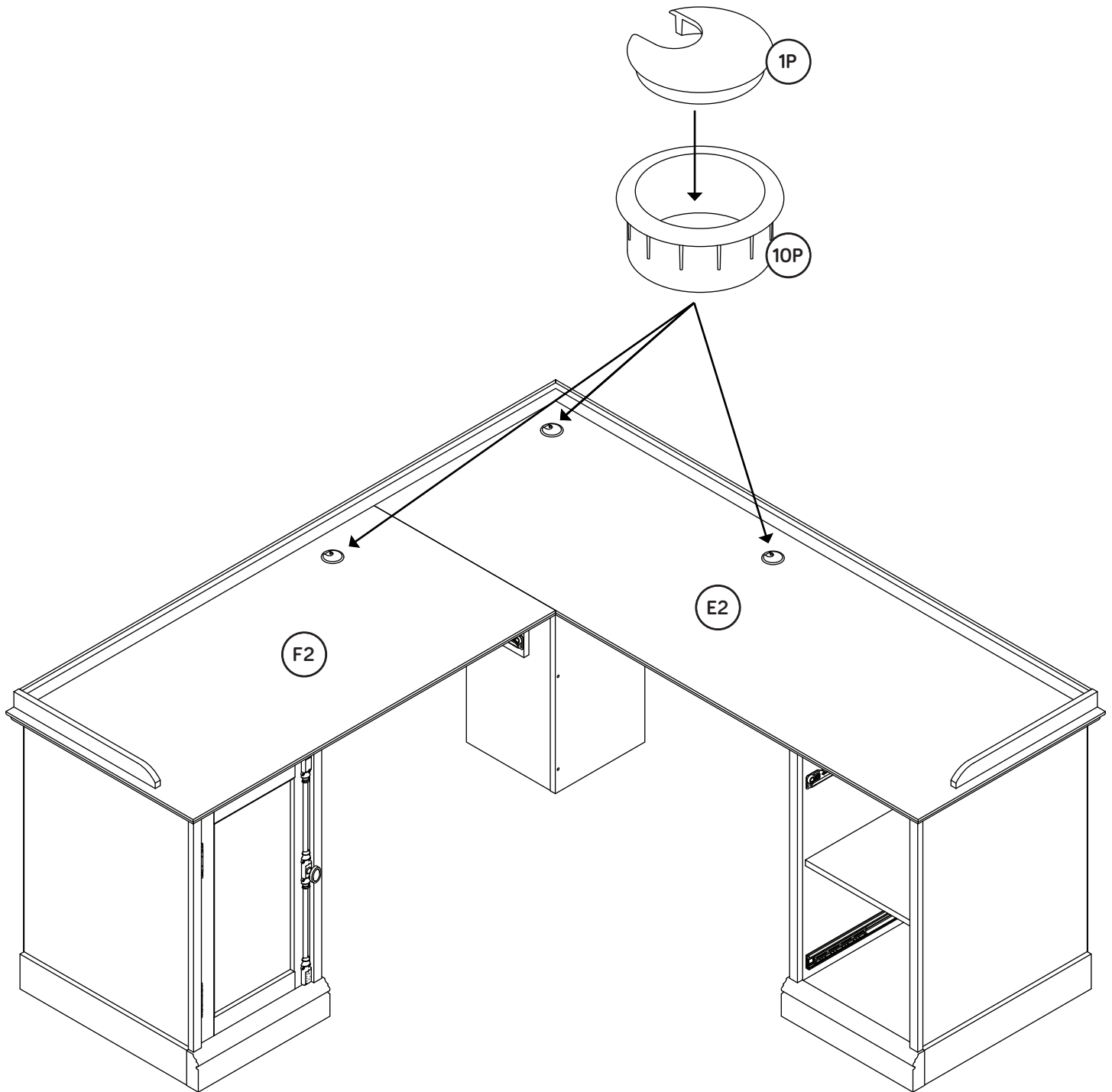
Almost time to celebrate! With a nap.



GOLD 1" MACHINE SCREW
(2 used in this step)

Step 33

- Insert a GROMMET (10P) and GROMMET CAP (1P) into the large holes in the TOPS (E2 and F2).

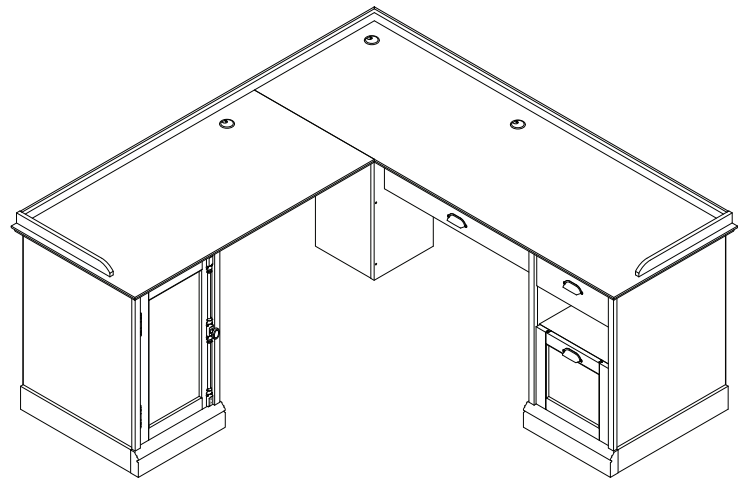


Step 34

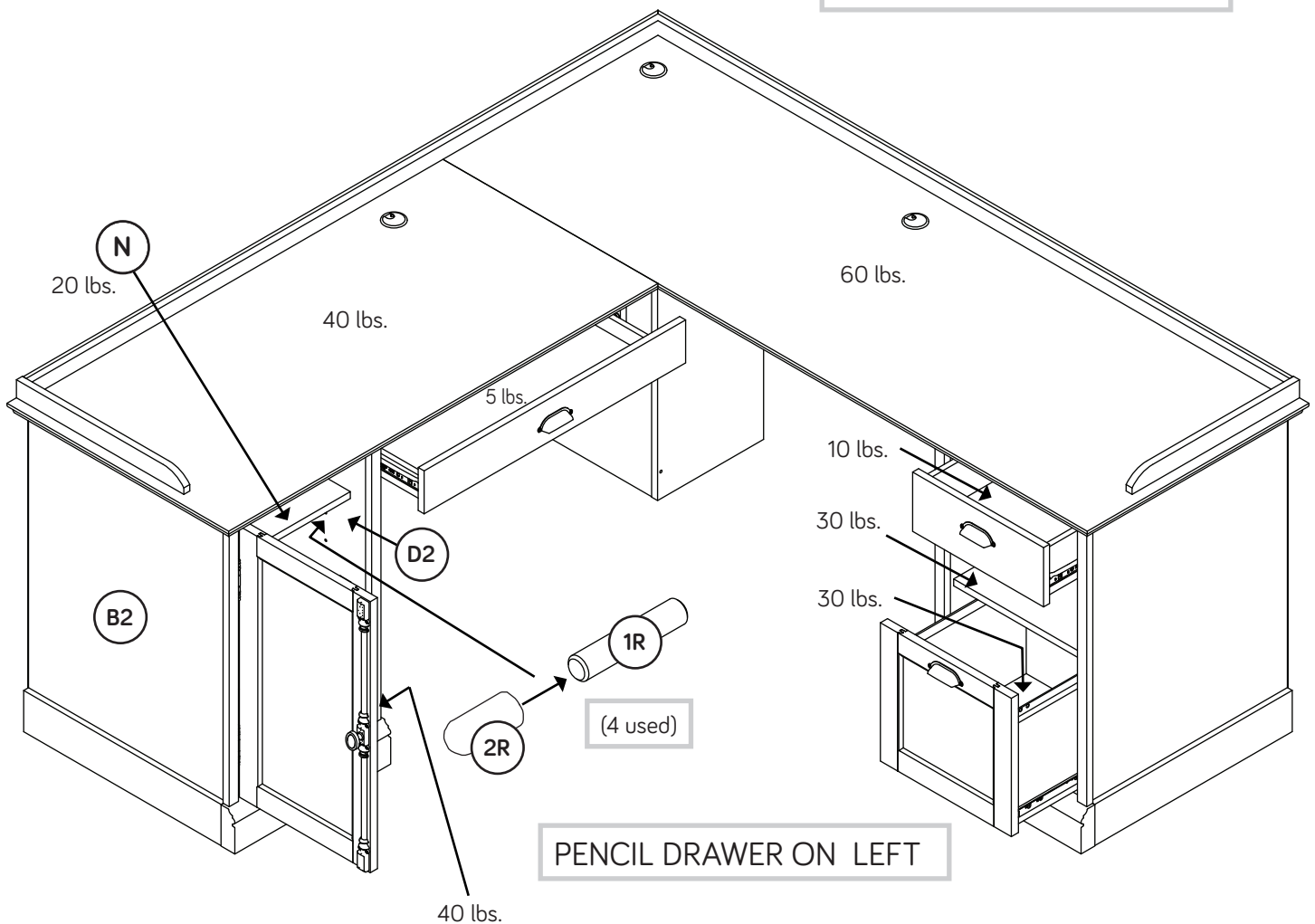
✚ Push the RUBBER SLEEVES (2R) over the METAL PINS (1R). Insert the METAL PINS into the hole locations of your choice in the LEFT END (B2) and LEFT UPRIGHT (D2). Set the ADJUSTABLE SHELF (N) onto the METAL PINS.

✚ To insert the drawer into your unit, tip the front of the drawer down and drop the rollers on the drawer behind the rollers on the unit. Lift the front of the drawer up and slide it into the unit. Repeat this step to insert the pencil drawer.

✚ To insert the large drawer into your unit, line up the EXTENSION SLIDES on the drawer with the EXTENSION RAILS on the unit and push the drawer into the unit until the drawer is fully inserted. The drawer will push in hard until it is all the way in, then it will slide in and out easier.



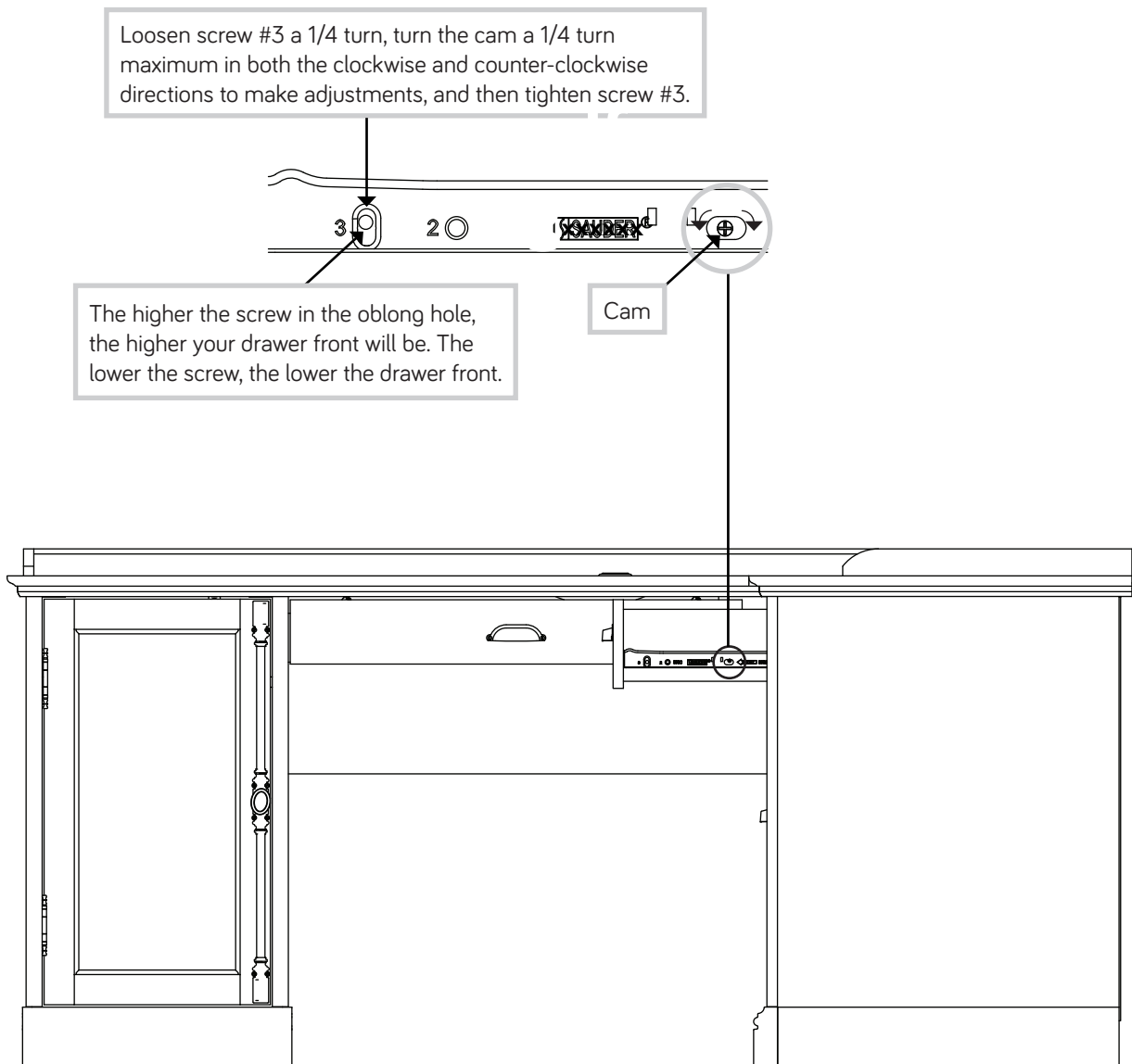
PENCIL DRAWER ON RIGHT



PENCIL DRAWER ON LEFT

Step 35

- To make adjustments to the drawers, loosen SCREW #3 in the SLIDES a 1/4 turn, then turn the CAM clockwise or counter-clockwise. Notice how the drawer raises or lowers as you turn the CAM. The higher the screw in the oblong hole, the higher your drawer front will be. The lower the screw, the lower the drawer front. By adjusting the drawers this way, it will help the DRAWER FRONTS line up better when closed. Tighten the SCREW when finished with adjustments.
- NOTE:** Please read the back pages of the instruction booklet for important safety information.
- This completes assembly. Clean with your favorite furniture polish or a damp cloth. Wipe dry.



⚠ WARNING

Please use your furniture correctly and safely. Improper use can cause safety hazards, or damage to your furniture or household items. ***Carefully read the following chart.***

Look out for:	What can happen:	How to avoid the problem:
<ul style="list-style-type: none">• Overloaded shelves and drawers.• Improper loading can cause the product to be top-heavy.	<ul style="list-style-type: none">• Risk of injury.• Top-heavy furniture can tip over.• Overloaded shelves and drawers can break.	<ul style="list-style-type: none">• Never exceed the weight limits shown in the instructions.• Work from bottom to top when loading shelves and drawers. Place the heavier items on the lower shelves or in lower drawers.
<ul style="list-style-type: none">• Improperly moving furniture that is not designed and equipped with casters.	<ul style="list-style-type: none">• Furniture can tip over or break if improperly moved.• Physical injury. Furniture can be very heavy.• Breakage of tops - particularly with double pedestal furniture (drawers at both ends).	<ul style="list-style-type: none">• Unload shelves and drawers from top to bottom before moving the unit.• Do not push furniture, especially on a carpeted floor. Have a friend help you lift the item and set it in place.• Provide support to the center section of the top when lifting the furniture.
<ul style="list-style-type: none">• Placing TVs on furniture items that are not designed to support a television is hazardous.	<ul style="list-style-type: none">• Risk of injury or death. TVs can be very heavy. Plus the weight and location of the picture tube tends to make TVs unbalanced and prone to tipping forward.	<ul style="list-style-type: none">• This product is not designed to support a television.