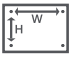



DS-VW765-LAND



	Mounting Pattern 200 x 200 up to 700 x 400mm		Max Load 125lb (56.8kg)
---	---	---	--------------------------------------



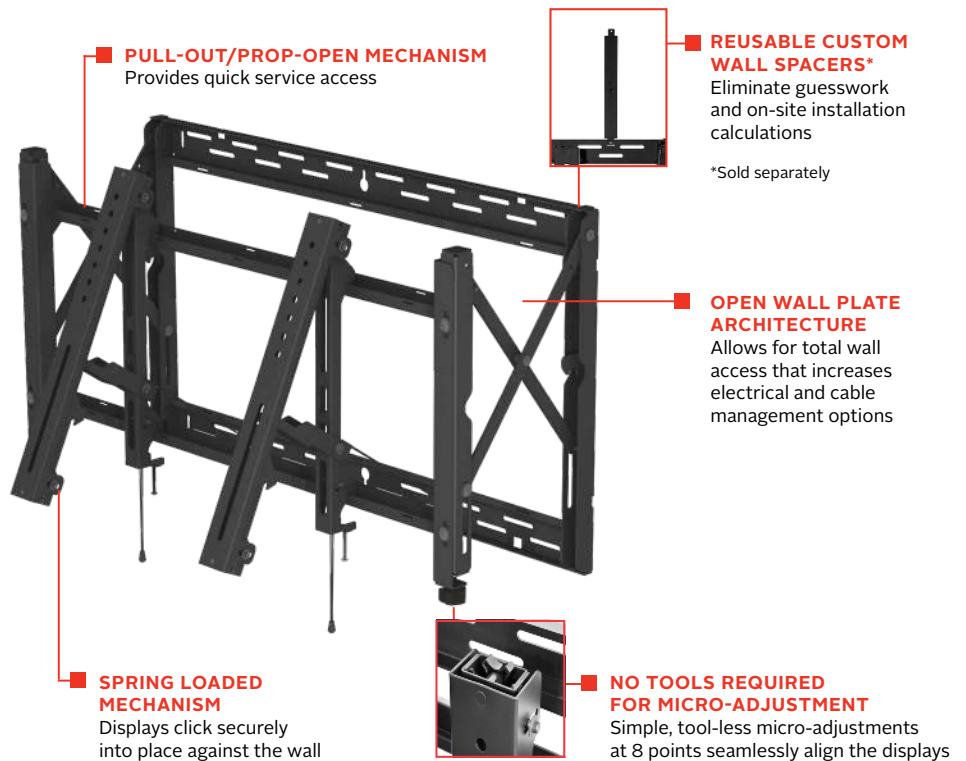
- Modular mount for unlimited video wall display configurations
- Displays and mounts sit flush against the wall for a clean side appearance
- Integrated cable management tie-backs make display-to-display cabling simple
- Included security hardware prevents the mount from extending out from the wall
- Adjustable VESA® mounting hole patterns in 100mm increments, starting at 200 x 200mm up to 700 x 400mm, additional patterns supported with adaptor plates

SMARTMOUNT.

Full-Service Video Wall Mount - Landscape

FOR 40" TO 65" DISPLAYS

Peerless-AV's Full-Service Video Wall Mount is easy to configure, quick to install and a snap to maintain. Create any configuration imaginable, but leave the tedious calculations to the custom wall plate spacers. The mount's innovative design is loaded with time-saving features like no-tool-required micro-adjustments and easy-access to any display for quick serviceability.



Full-Service Access



Please visit peerless-av.com/en-us/patents for patent information.

✉ info@peerless-av.com
🌐 peerless-av.com

peerless-AV®
Driving Technology Through Innovation

Model Number

WARRANTY: Limited 5-year

DS-VW765-LAND SmartMount® Full-Service Video Wall Mount for 40"-65" Displays - Landscape

Product Specifications

	DIMENSIONS (W X H X D)	PRODUCT WEIGHT	LOAD CAPACITY	FINISH	AVAILABLE COLORS
DS-VW765-LAND	35.00" x 20.00" x 3.08"-3.83" (890 x 508 x 78-97mm)	33.0lb (15kg)	125lb (56.8kg)	Scratch Resistant Fused Epoxy	Black

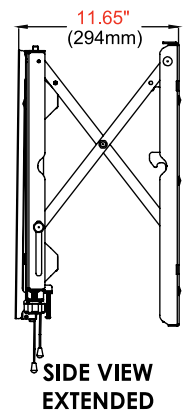
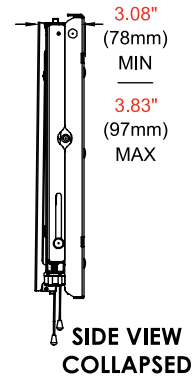
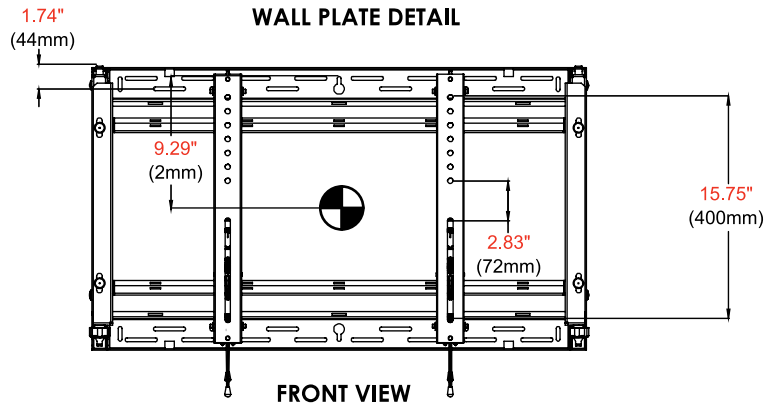
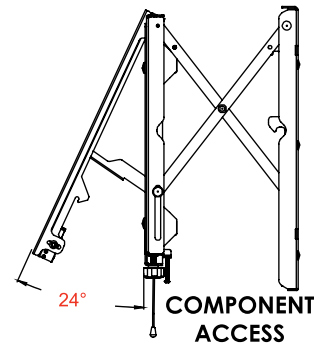
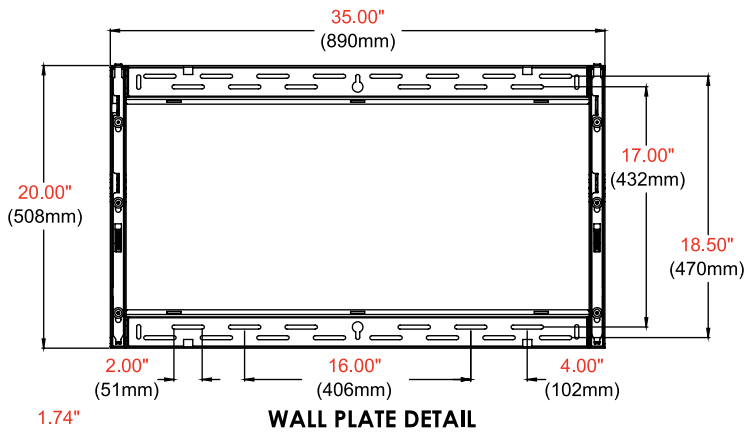
Package Specifications

	PACKAGE SIZE (W x H x D)	PACKAGE SHIP WEIGHT	PACKAGE UPC CODE	PACKAGE CONTENTS	UNITS IN PACKAGE
DS-VW765-LAND	37.13" x 22.25" x 4.25" (943 x 565 x 108mm)	37.95lb (17.25kg)	735029278771	Wall Mount Assembly, Mounting Attachment Rails & Fasteners	1

Accessories

- DS-VWS###:** Wall Plate Alignment Spacers
- DS-ACC765:** Cable Release Kit
- DS-ACC770:** Media Player Mounting Bracket
- PLP-V models:** PLP Adaptor Plates

All dimensions = inch (mm)



Architect Specifications

The SmartMount® Full-Service Video Wall Mount - Landscape shall be Peerless-AV model DS-VW765-LAND and shall be located where indicated on the plans. It shall be constructed of heavy gauge steel. The finish shall be scratch resistant black fused epoxy. Assembly and installation shall be done according to instructions provided by the manufacturer.

Visit peerless-av.com to see the complete line of AV solutions from Peerless-AV, including outdoor displays, kiosks, digital audio, display mounts, projector mounts, carts/stands, and a full assortment of accessories.

Peerless-AV
2300 White Oak Circle
Aurora, IL 60502 USA
(800) 865-2112
(630) 375-5100
Fax: (800) 359-6500

Peerless-AV EMEA
Unit 3 Watford Interchange
Colonial Way, Watford
Herts, WD24 4WP
United Kingdom
+44 (0) 1923 200100
Fax: +44 (0) 1923 200101

Peerless-AV Latin America
Av. de las Industrias 413
Parque Industrial Escobedo
General Escobedo, N.L.,
México, 66062
+52 (81) 8384-8300
Fax: +52 (81) 8384-8360

