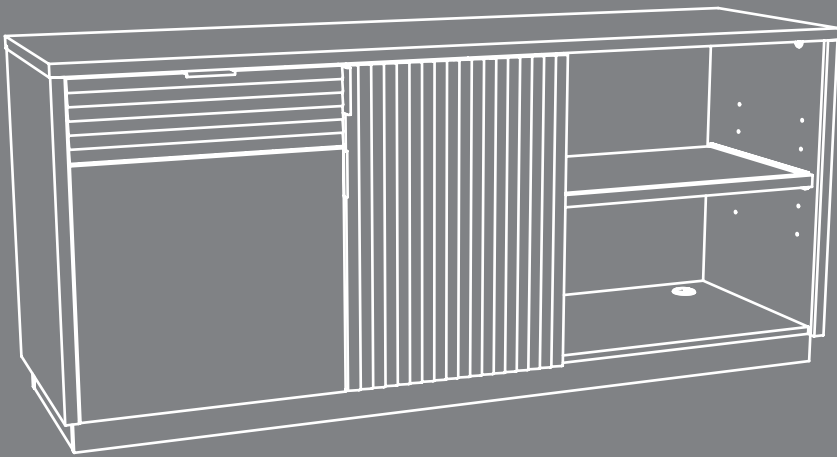


Teknik

www.teknikoffice.co.uk



Your **holder** for all
things awesome.

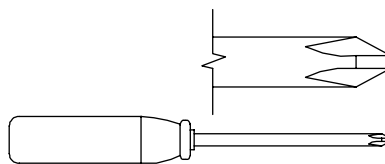
Elstree Credenza

Model 5426916

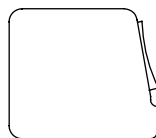
Table of Contents

Assembly Tools Required

Part Identification	2-3
Hardware Identification	4-5
Assembly Steps	6-29
Français	30-34
Español	35-39
Safety	40-42
Warranty	43



No. 2 Phillips Screwdriver
Tip Shown Actual Size



Tape Measure

Part Identification

Now you know
our ABCs.

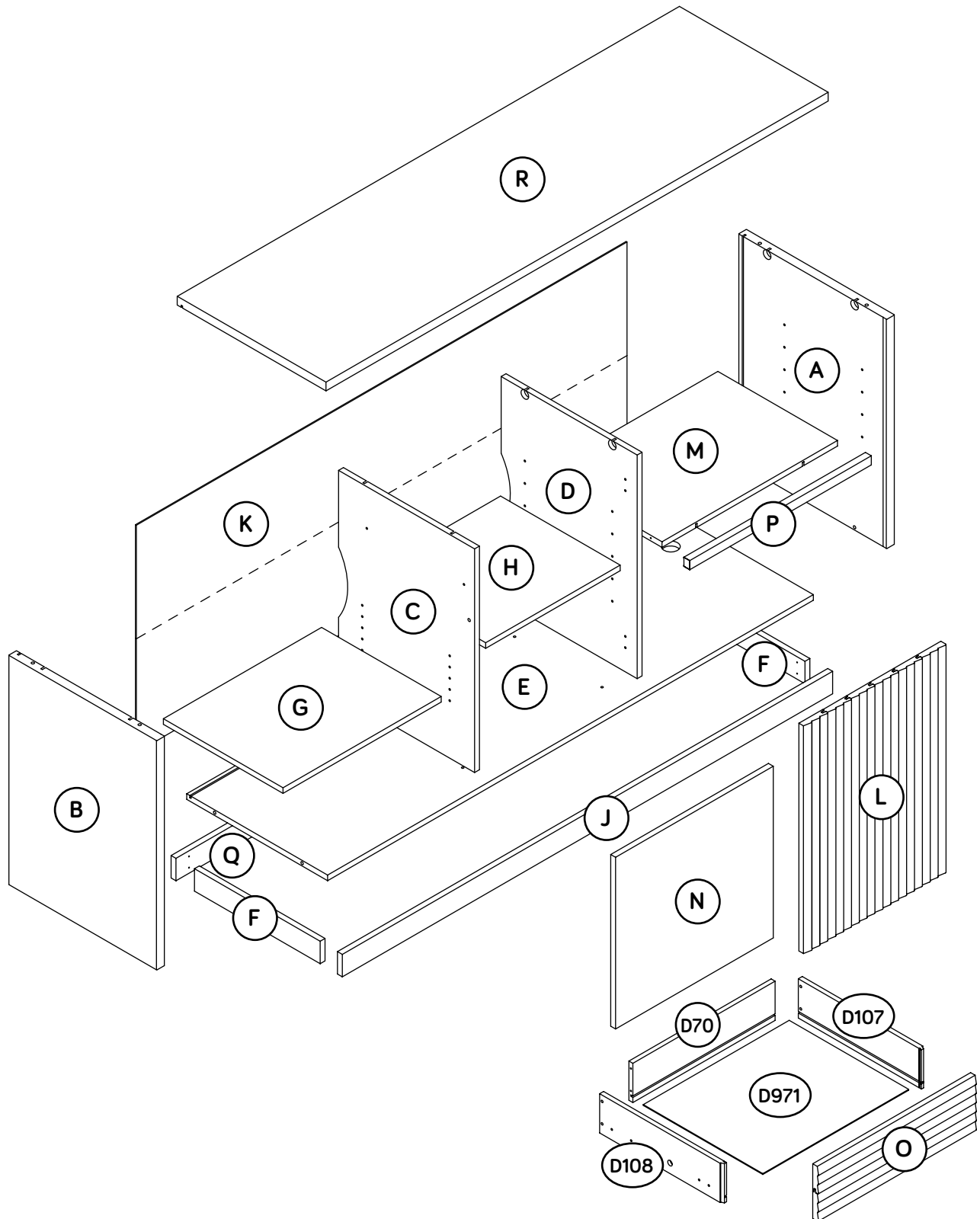


† Use this part identification to help identify the parts.

A	RIGHT END (1)	F	SIDE BASE (2)	P	PRINTER SHELF MOLDING (1)
B	LEFT END (1)	G	LARGE ADJUSTABLE SHELF (1)	Q	BACK BASE (1)
C	LEFT UPRIGHT (1)	H	SMALL ADJUSTABLE SHELF (1)	R	TOP (1)
D	RIGHT UPRIGHT (1)	J	FRONT BASE (1)		
D70	DRAWER BACK (1)	K	BACK (1)		
D107	LEFT DRAWER SIDE (1)	L	LOUVER DOOR (1)		
D108	RIGHT DRAWER SIDE (1)	M	PRINTER SHELF (1)		
D971	DRAWER BOTTOM (1)	N	DOOR (1)		
E	BOTTOM (1)	O	LOUVER DRAWER FRONT (1)		

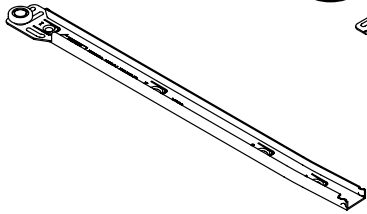
Part Identification

- † While not all parts are labeled, some of the parts will have a label or an inked letter on the edge to help distinguish similar parts from each other. Use this part identification to help identify similar parts.

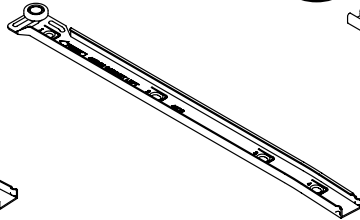


Hardware Identification

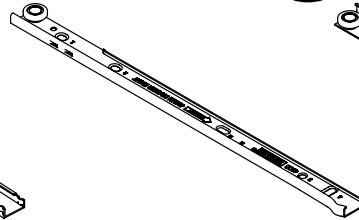
40CA CABINET RIGHT - 1



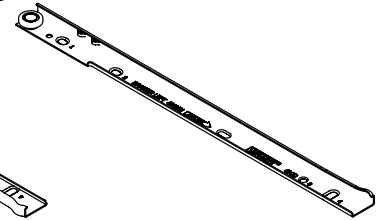
40CB CABINET LEFT - 1



40CC DRAWER RIGHT - 1

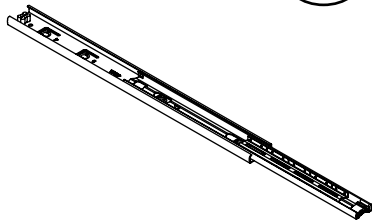


40CD DRAWER LEFT - 1

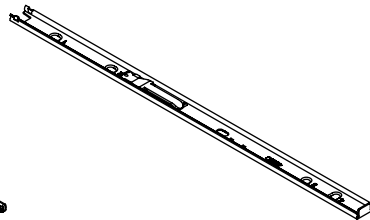


(EXTENSION SET SHOWN SEPARATED)

40MA EXTENSION RAIL - 2



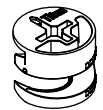
40MC EXTENSION SLIDE - 2



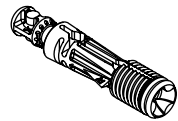
10A SLIDE CAM - 2



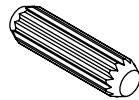
1F HIDDEN CAM - 4



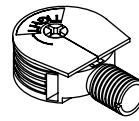
2F CAM DOWEL - 4



15F WOOD DOWEL - 4



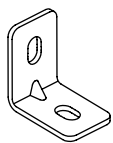
36F TWIST-LOCK® FASTENER - 10



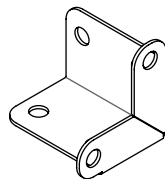
39F BACK CONNECTOR - 12



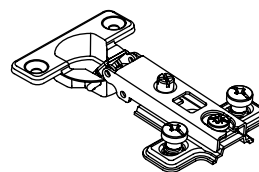
4G METAL BRACKET - 10



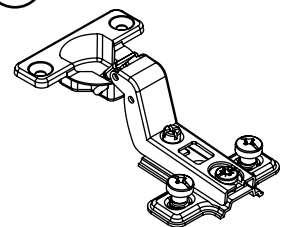
31G CORNER BRACKET - 4



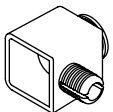
13H HINGE - 2



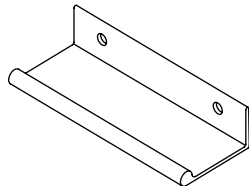
14H HINGE - 2



4I DOOR STOP - 2



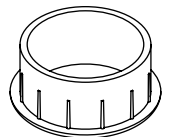
189K PULL - 3



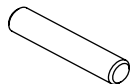
1P GROMMET CAP - 1



10P GROMMET - 1



1R METAL PIN - 8



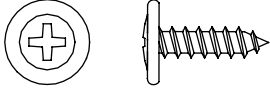
2R RUBBER SLEEVE - 8



Hardware Identification

† Screws are shown actual size. You may receive extra hardware with your unit.

1S BLACK 9/16" LARGE HEAD SCREW - 50



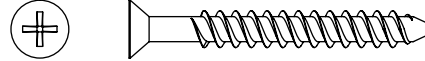
3S GOLD 5/16" FLAT HEAD SCREW - 12



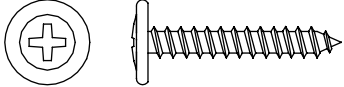
11S BLACK 1/2" FLAT HEAD SCREW - 8



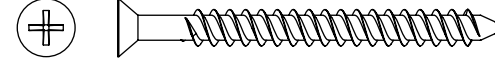
30S BLACK 1-9/16" FLAT HEAD SCREW - 4



102S SILVER 1" LARGE HEAD SCREW - 4



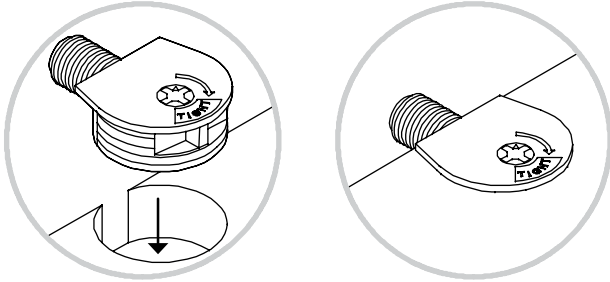
113S BLACK 1-15/16" FLAT HEAD SCREW - 4



Hardware Usage Guide

HOW TO USE A TWIST-LOCK® FASTENER

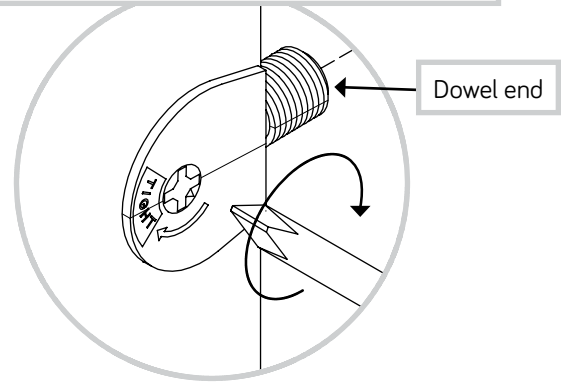
1. Push a TWIST-LOCK® FASTENER into the large hole in the part.



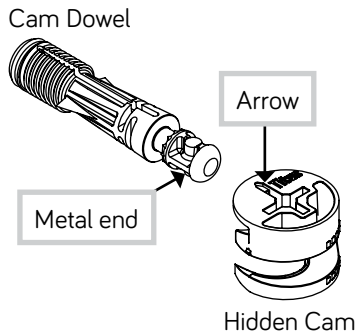
2. 1. Insert the dowel end of the FASTENER into the hole of the adjoining part.

NOTE: The dowel end of the FASTENER must remain fully inserted in the hole of the adjoining part while locking the FASTENER.

2. Tighten the FASTENER with a Phillips screwdriver as tight as possible.

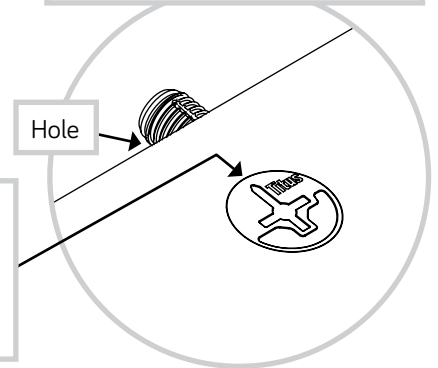


HOW TO USE A HIDDEN CAM & CAM DOWEL



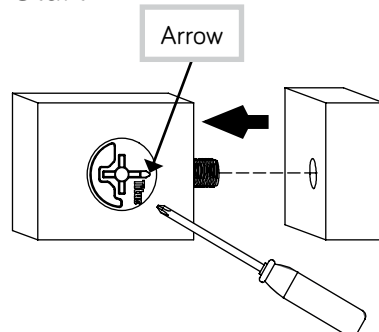
2. Insert the metal end of the CAM DOWEL into the HIDDEN CAM.

1. Push a HIDDEN CAM into the part. The arrow in the HIDDEN CAM must point toward the hole in the edge of the board.



3. **Caution**
Risk of damage or injury. HIDDEN CAMS must be completely tightened. HIDDEN CAMS that are not completely tightened may loosen, and parts may separate. To completely tighten:

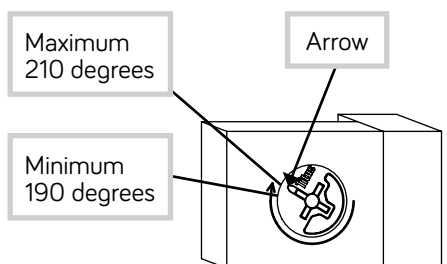
Start



Tighten

Maximum
210 degrees

Minimum
190 degrees

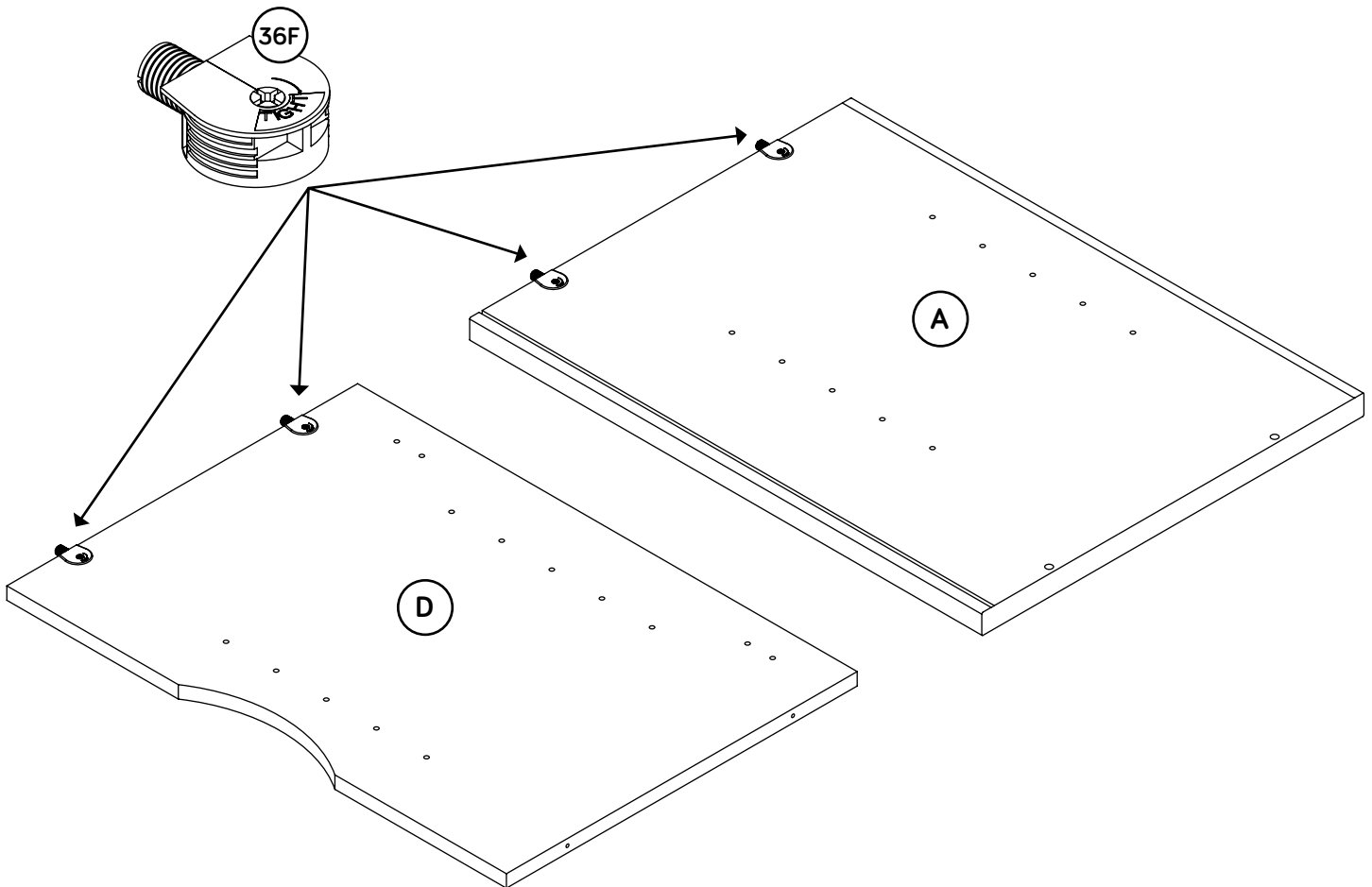


Step 1

- ✚ Assemble your unit on a carpeted floor or on the empty carton to avoid scratching your unit or the floor.
- ✚ Push four TWIST-LOCK FASTENERS (36F) into the large holes in the RIGHT END (A) and RIGHT UPRIGHT (D).

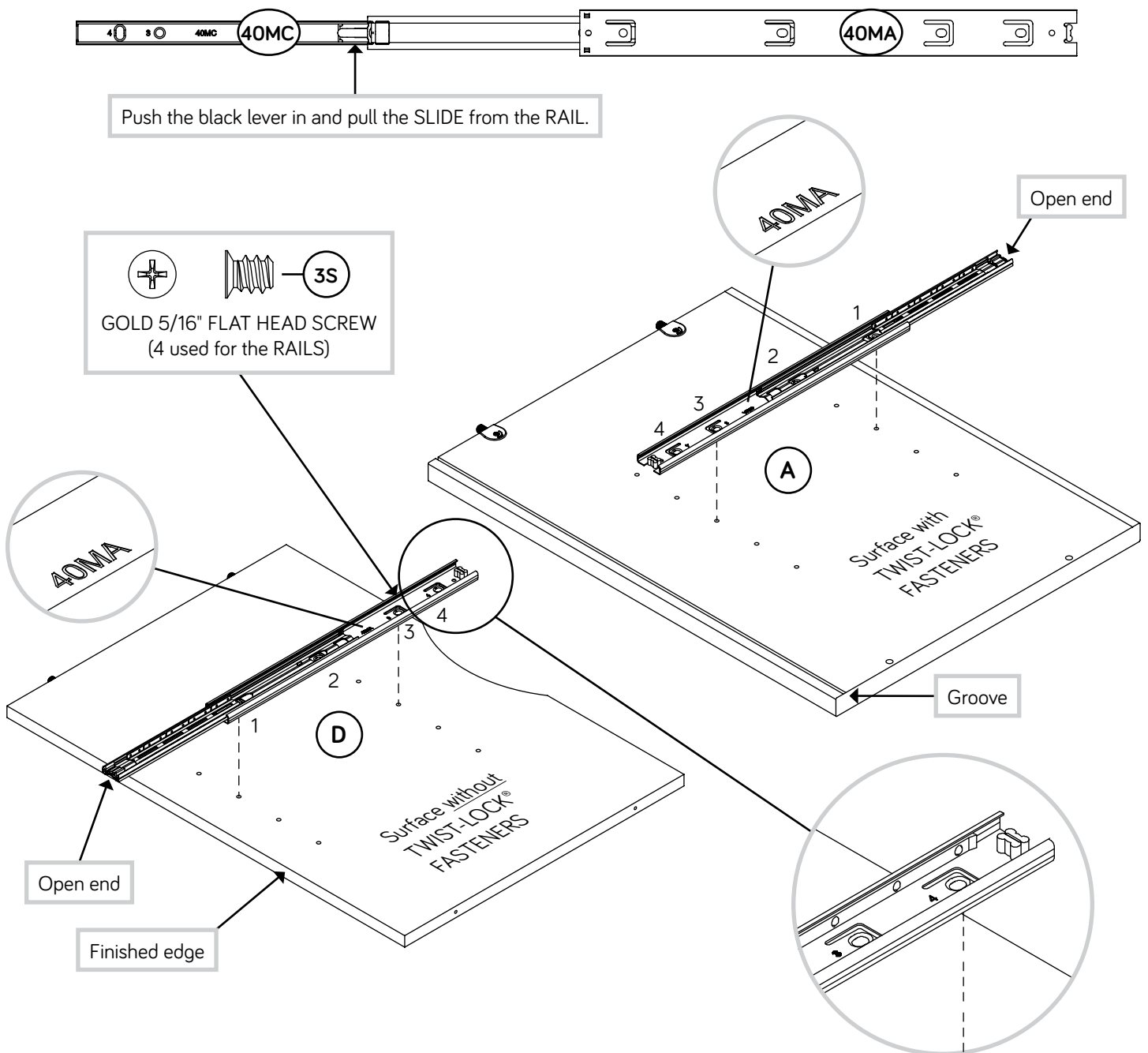


Just think. The sooner you do this, the sooner you do something else.



Step 2

- ✚ Separate the EXTENSION SLIDES (40MC) from the EXTENSION RAILS (40MA) as shown in the upper diagram below. Be prepared, the parts are greasy.
- ✚ Fasten the EXTENSION RAILS (40MA) to the RIGHT UPRIGHT (D). Use four GOLD 5/16" FLAT HEAD SCREWS (3S) through holes #1 and #3.
- ✚ **NOTE:** For each EXTENSION RAIL, turn a SCREW into the hole shown in the enlarged diagram. Then, slide the inner cartridge of the EXTENSION RAIL in to find the other hole that lines up with the hole in the UPRIGHT. Turn a SCREW into this hole.
- ✚ **NOTE:** The EXTENSION SLIDES will be used later for the DRAWERS.

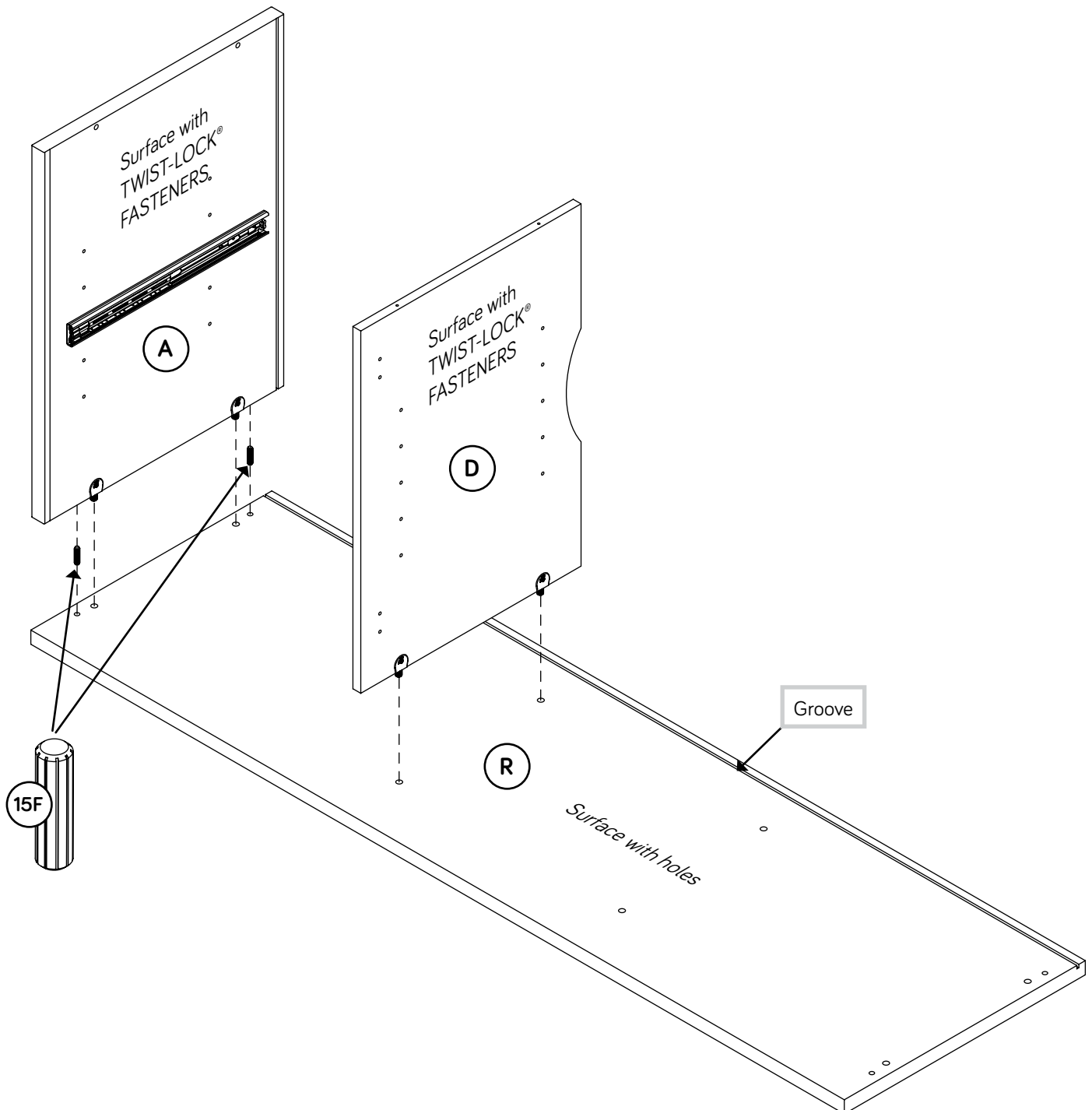


Step 3

- ✚ Insert two WOOD DOWELS (15F) into the TOP (R) using the exact holes shown.
- ✚ Fasten the RIGHT END (A) and RIGHT UPRIGHT (D) to the TOP (R). Tighten four TWIST-LOCK FASTENERS.
- ✚ NOTE: Be sure the WOOD DOWELS in the TOP insert into the RIGHT END.



Do not stand the unit upright without the BACK fastened. The unit may collapse.



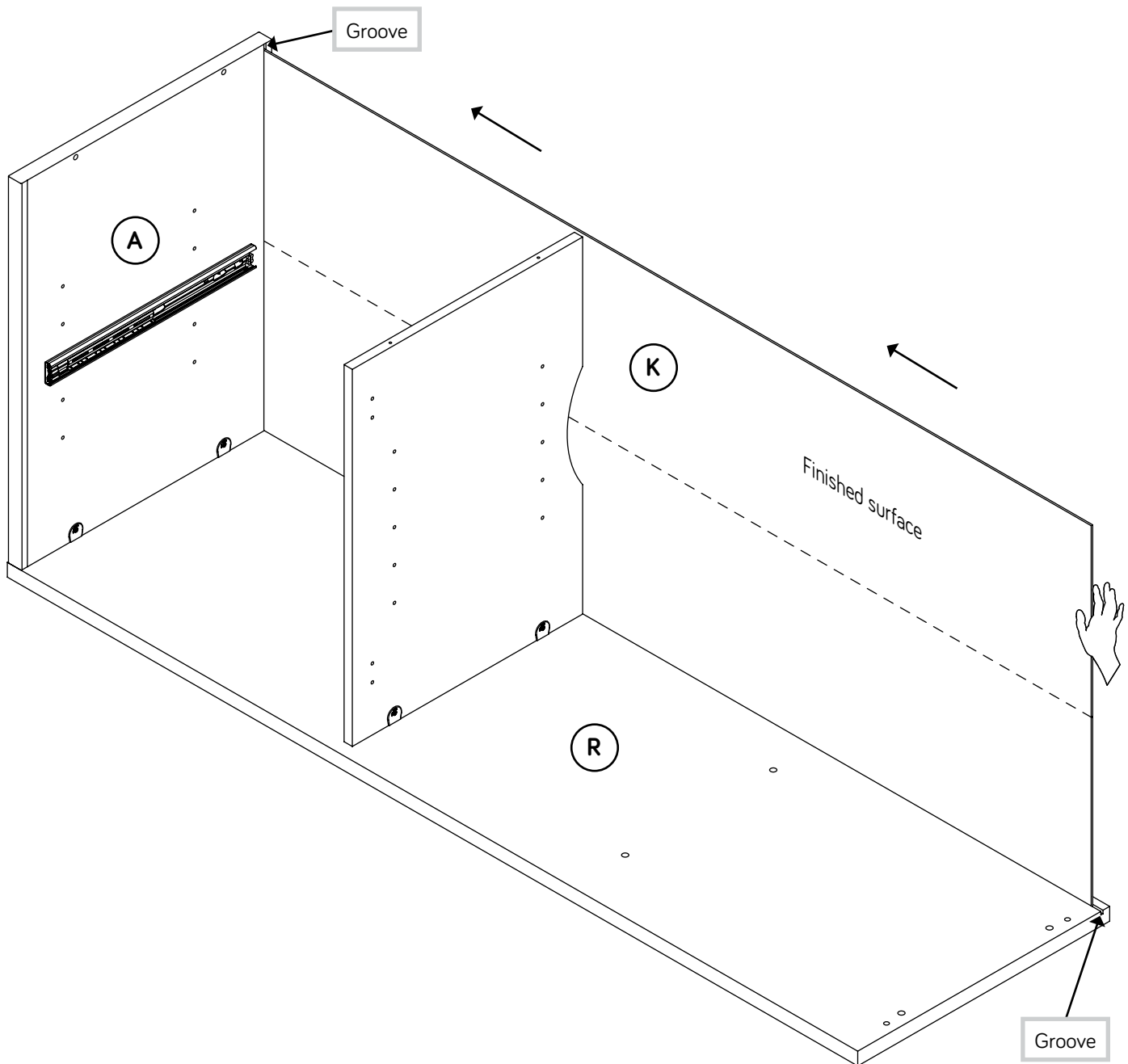
Step 4

- Slide the BACK (K) into the grooves in the END (A) and the TOP (R).



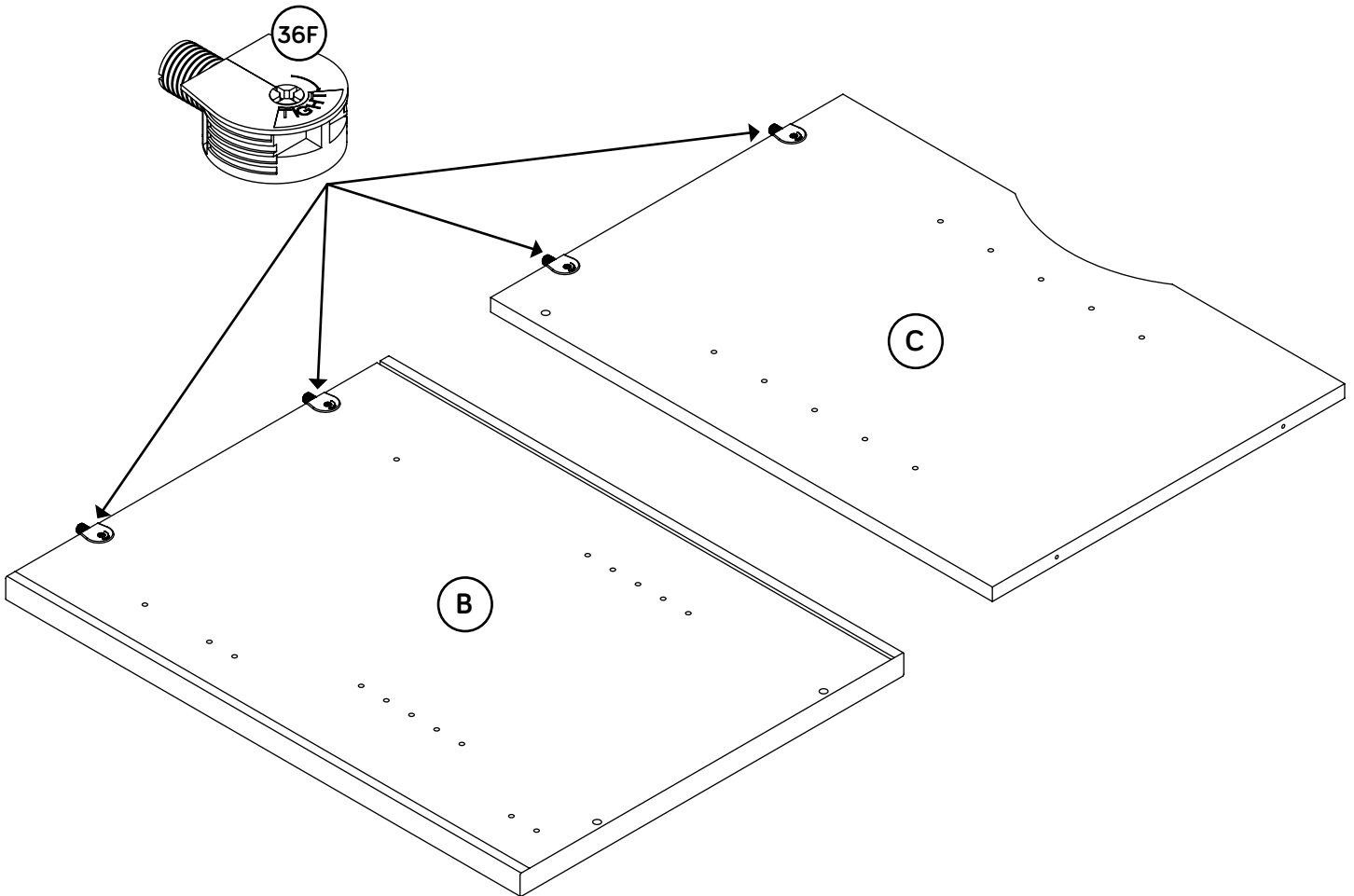
Caution

Do not stand the unit upright without the BACK fastened. The unit may collapse.



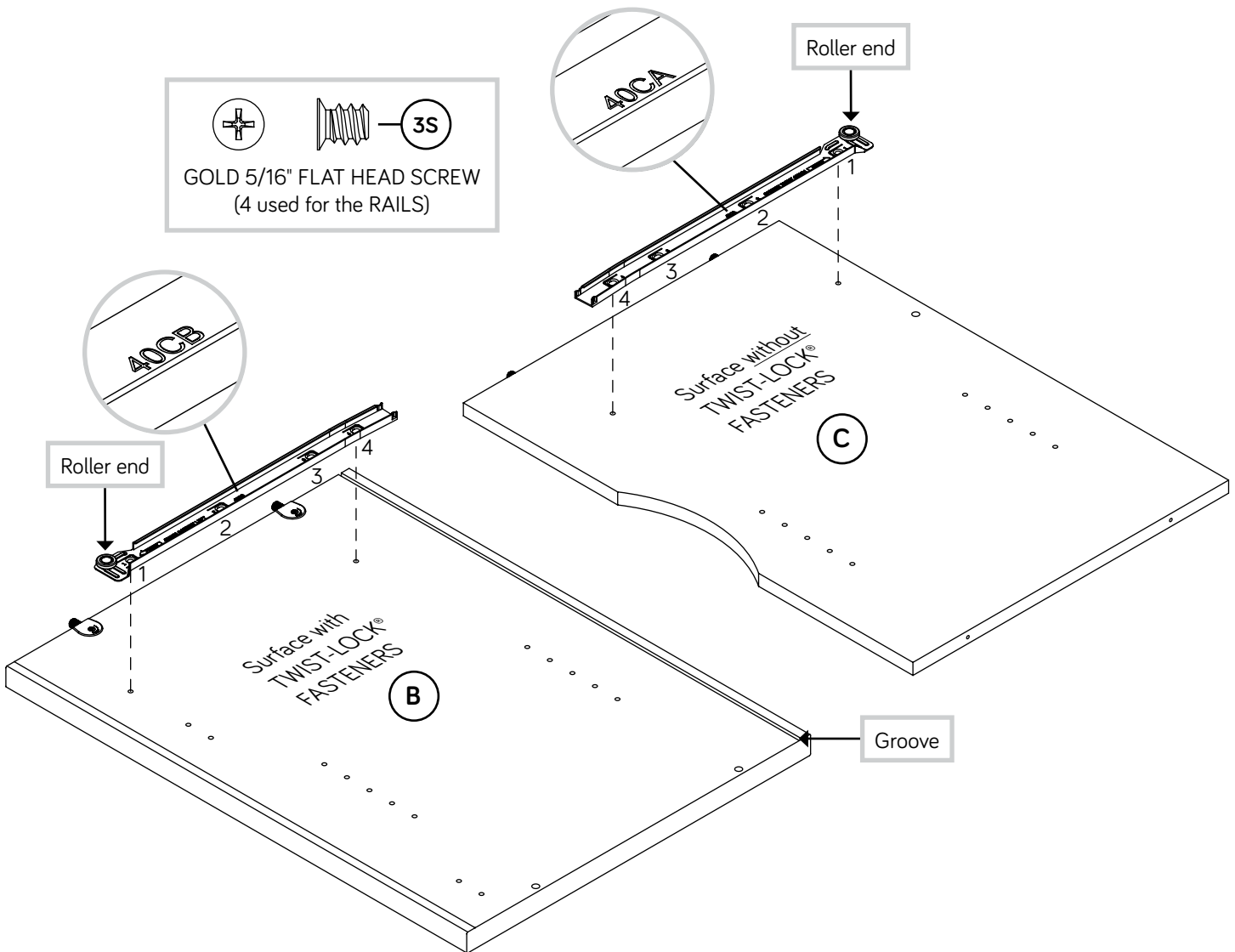
Step 5

- Push four TWIST-LOCK FASTENERS (36F) into the large holes in the LEFT END (B) and LEFT UPRIGHT (C).



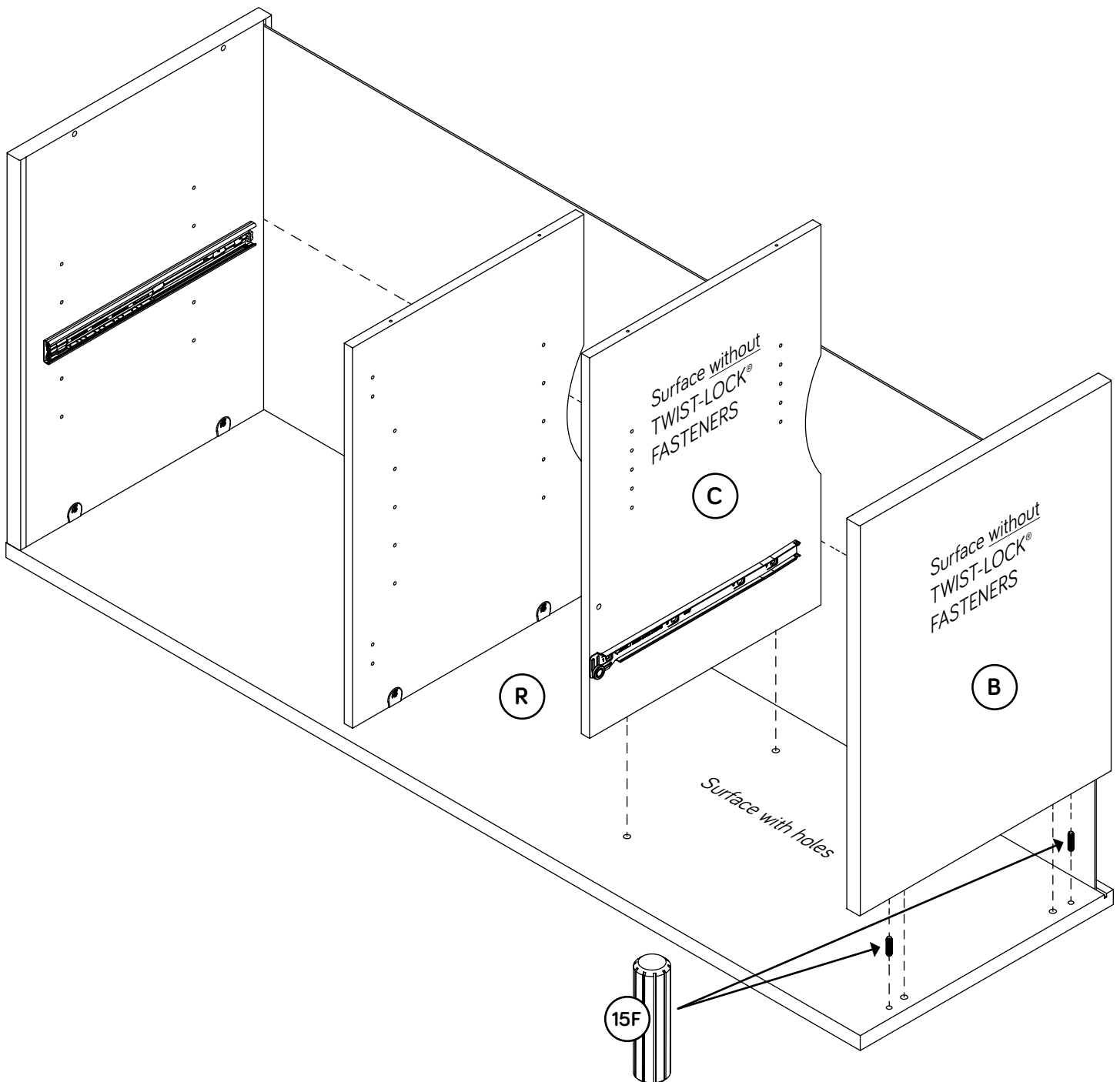
Step 6

- Fasten the CABINET RIGHT (40CA) to the LEFT UPRIGHT (C) and the CABINET LEFT (40CB) to the LEFT END (B). Use four GOLD 5/16" FLAT HEAD SCREWS (3S) through holes #1 and #4.



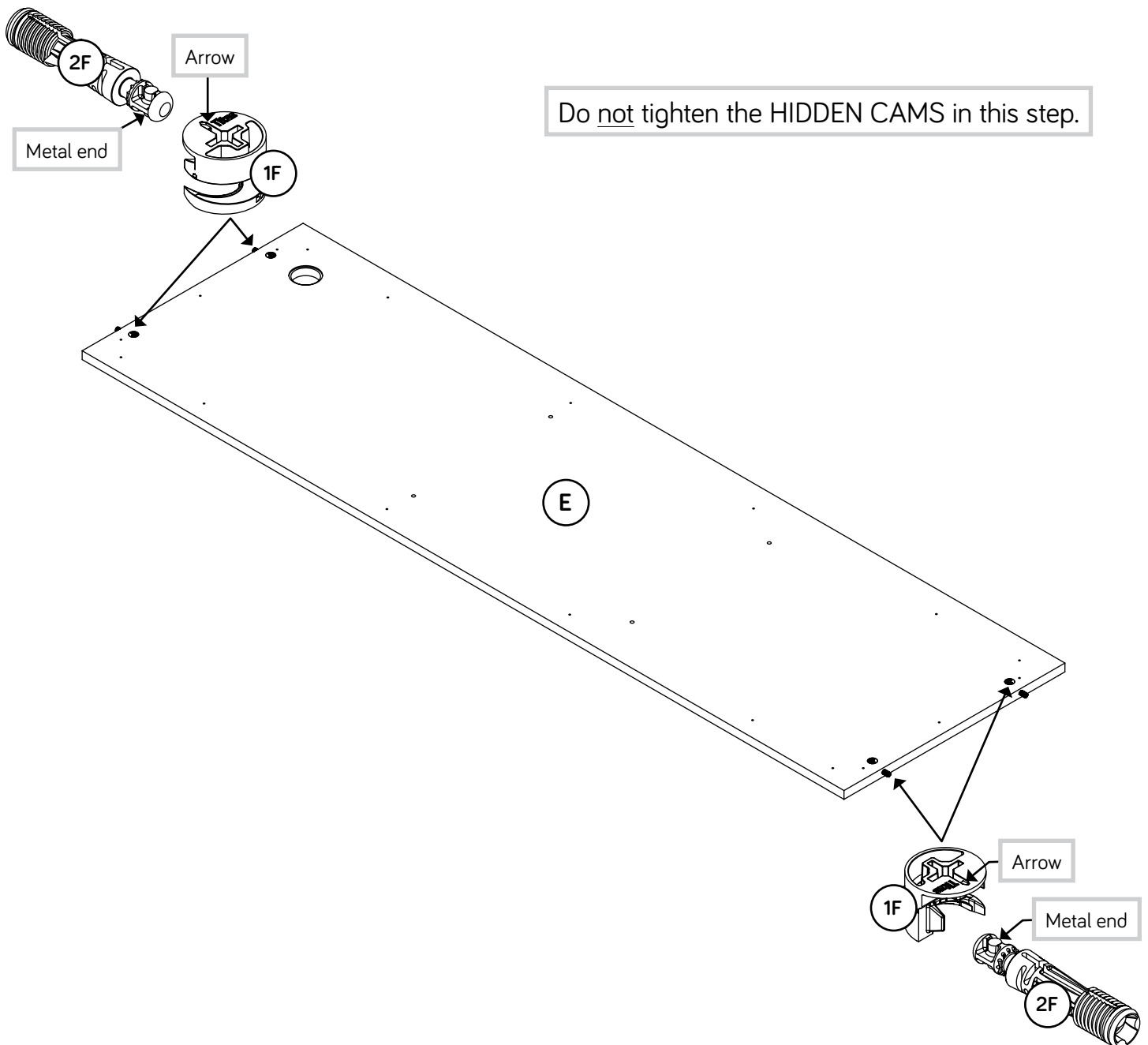
Step 7

- ✚ Insert two WOOD DOWELS (15F) into the TOP (R) using the exact holes shown.
- ✚ Fasten the LEFT END (B) and LEFT UPRIGHT (C) to the TOP (R). Tighten four TWIST-LOCK FASTENERS.
- ✚ NOTE: Be sure the WOOD DOWELS in the TOP insert into the LEFT END.



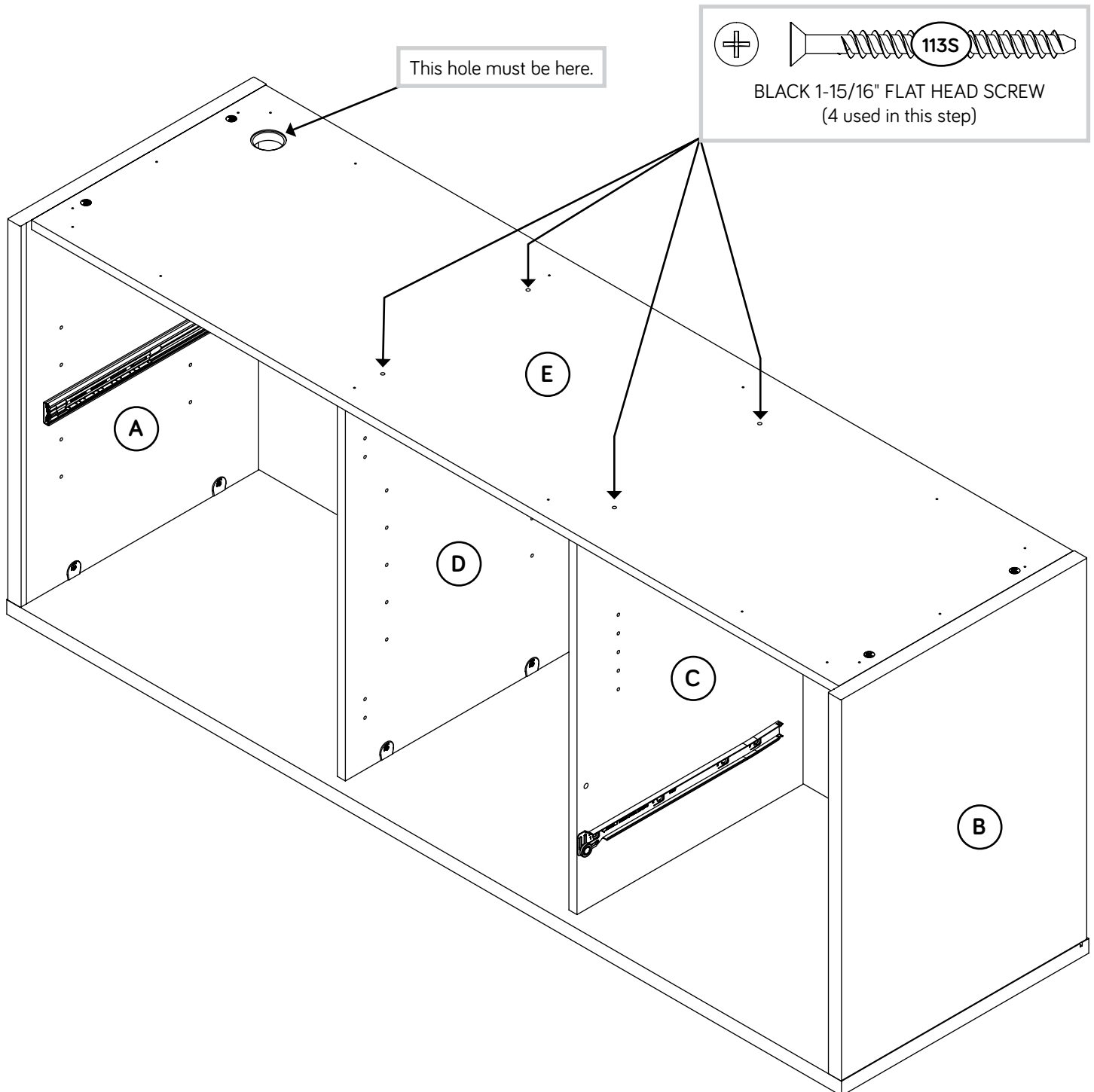
Step 8

- Push four HIDDEN CAMS (1F) into the BOTTOM (E).
Then, insert the metal end of a CAM DOWEL (2F) into each HIDDEN CAM.



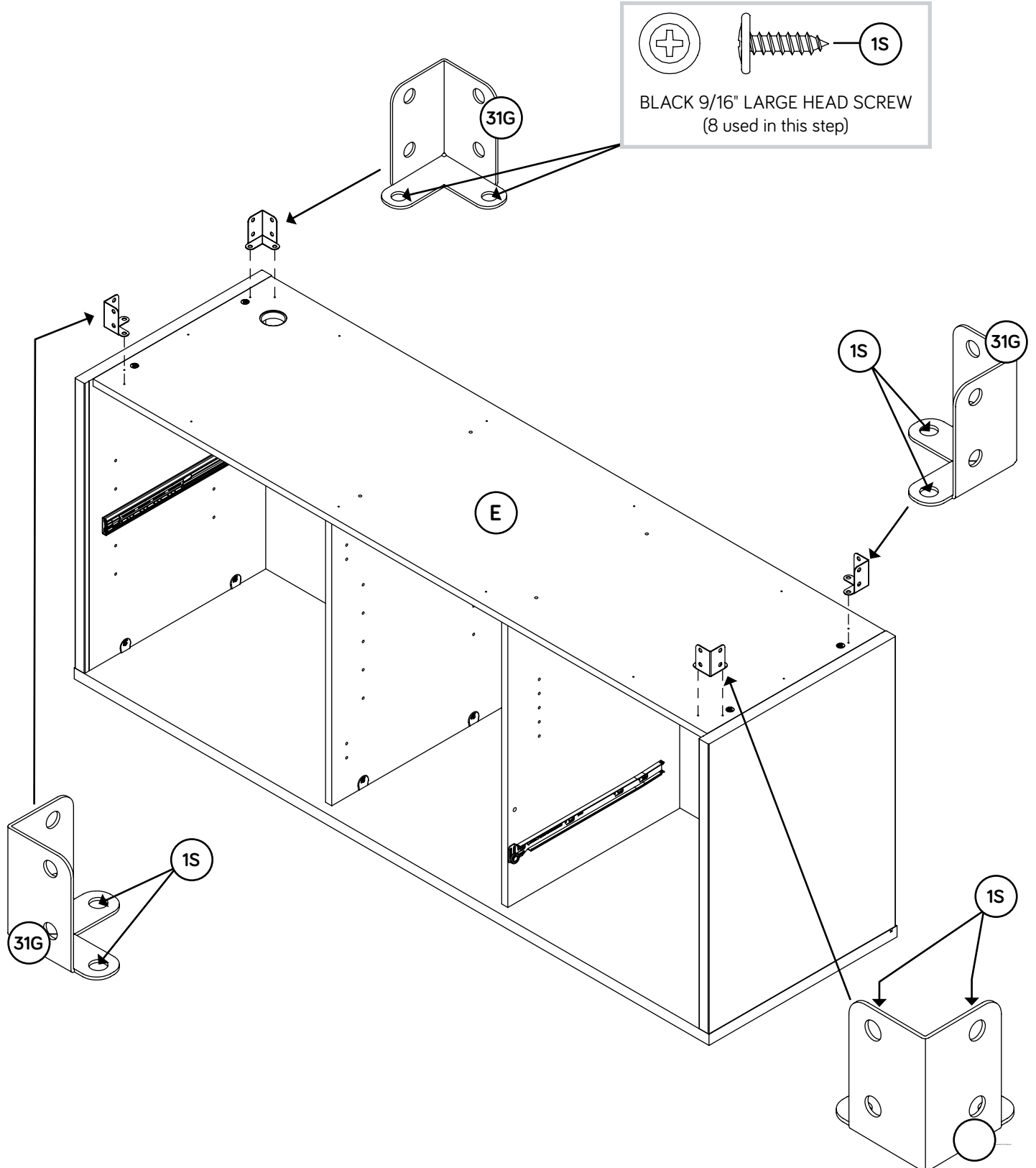
Step 9

- ✚ Fasten the BOTTOM (E) to the ENDS (A and B). Tighten four HIDDEN CAMS.
- ✚ NOTE: You may need to flex the ENDS outward to insert the BOTTOM.
- ✚ Fasten the BOTTOM (E) to the UPRIGHTS (C and D). Use four BLACK 1-15/16" FLAT HEAD SCREWS (113S).



Step 10

Fasten four CORNER BRACKETS (31G) to the BOTTOM (E) exactly as shown. Use eight BLACK 9/16" LARGE HEAD SCREWS (1S).

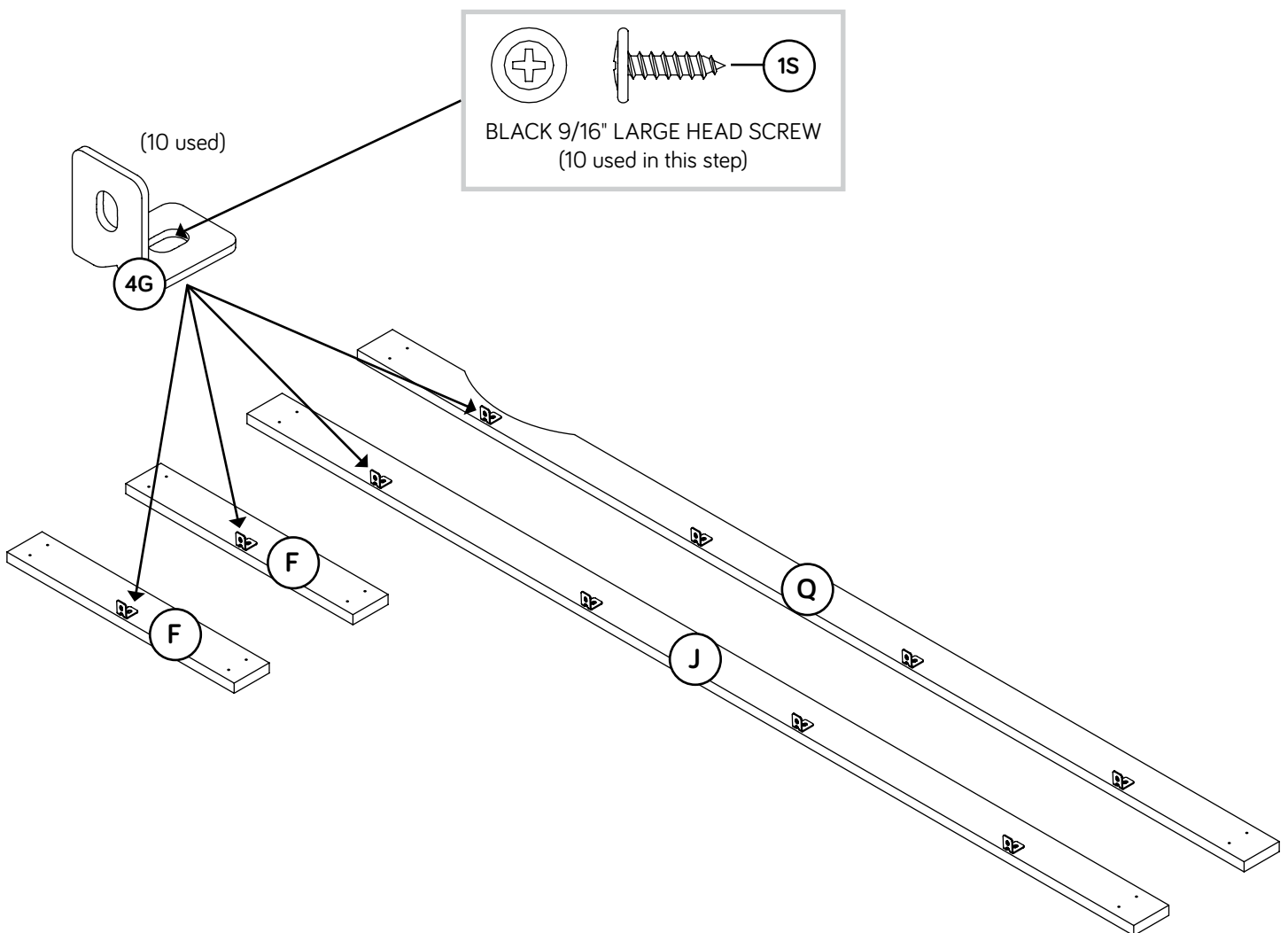


Step 11

- Fasten ten METAL BRACKETS (4G) to the BASES (F, J, and Q). Use ten BLACK 9/16" LARGE HEAD SCREWS (1S).
- NOTE:** Be sure the BRACKETS are even with the edges of the BASES.



Now might be a good time to refresh your drink.

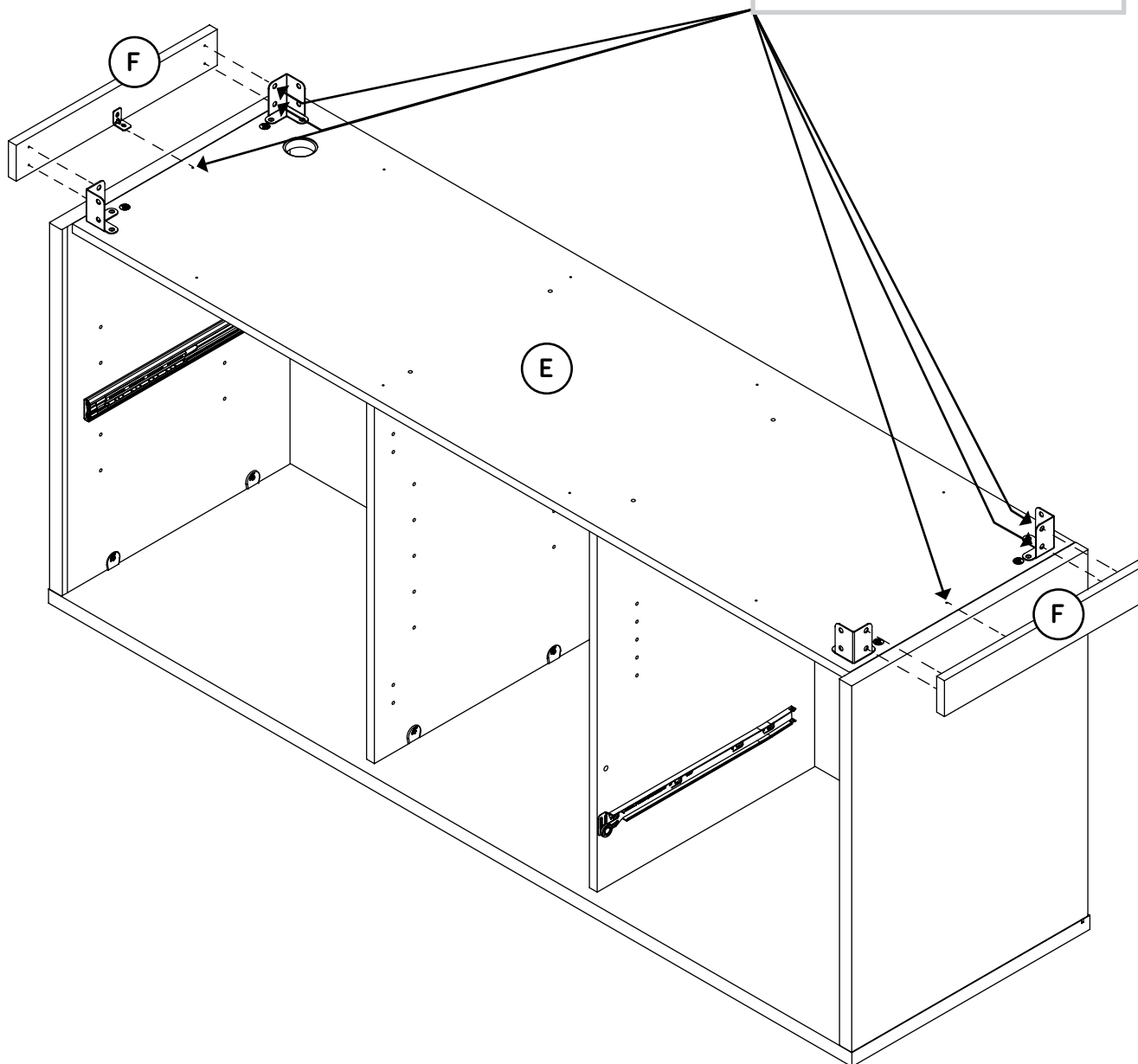
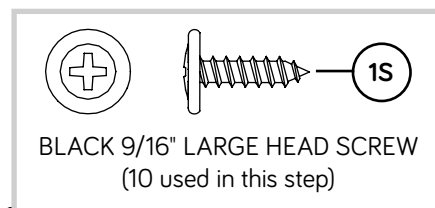


Step 12

✚ Fasten the SIDE BASES (F) to the BOTTOM (E). Use two BLACK 9/16" LARGE HEAD SCREWS (1S) through the METAL BRACKETS on the SIDE BASES and into the BOTTOM.

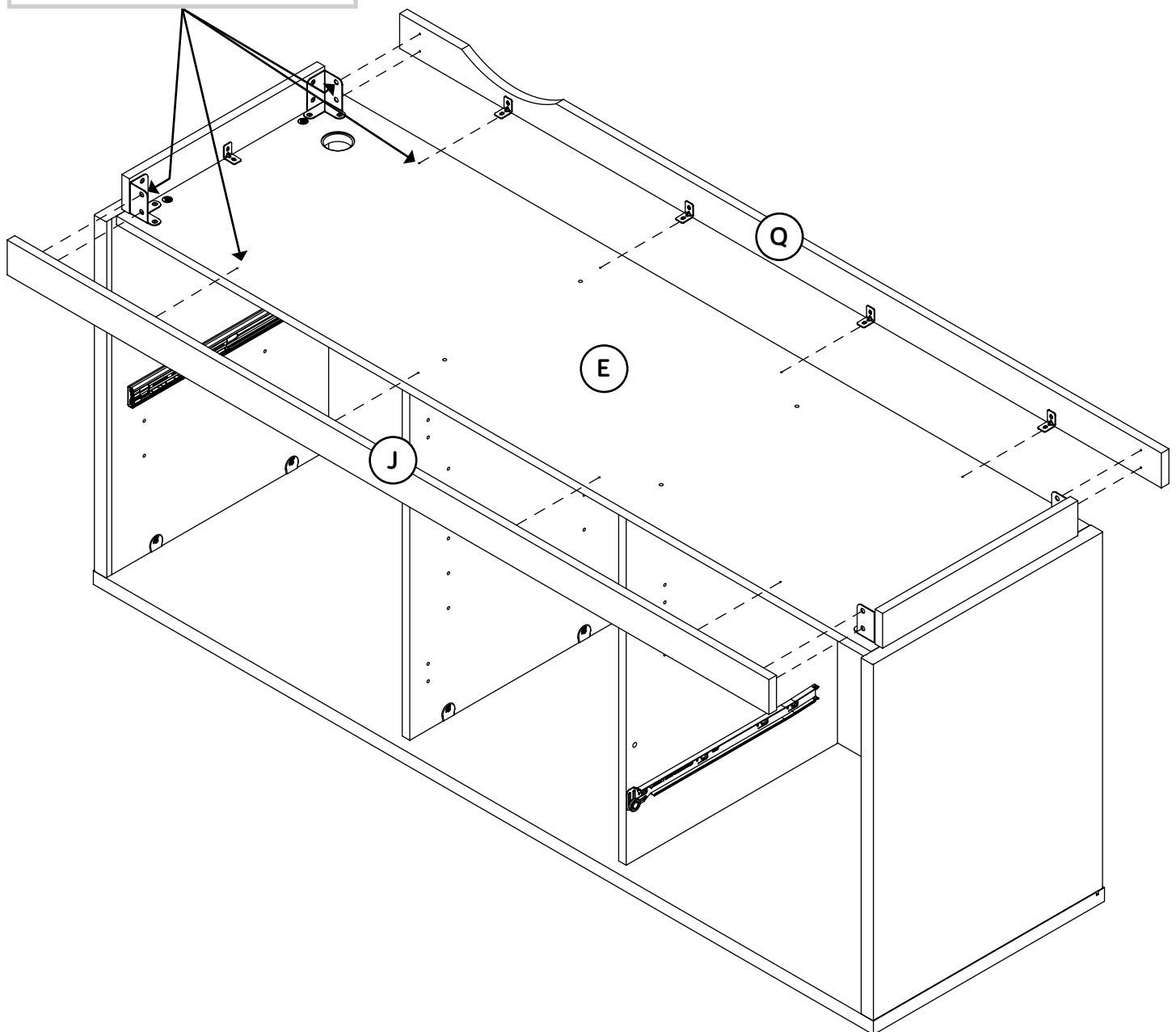
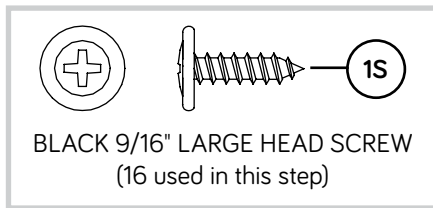
✚ Fasten the SIDE BASES (F) to the CORNER BRACKETS. Use eight BLACK 9/16" LARGE HEAD SCREWS (1S) through the CORNER BRACKETS and into the SIDE BASES.

✚ NOTE: You should start each SCREW a few turns before completely tightening any of them.



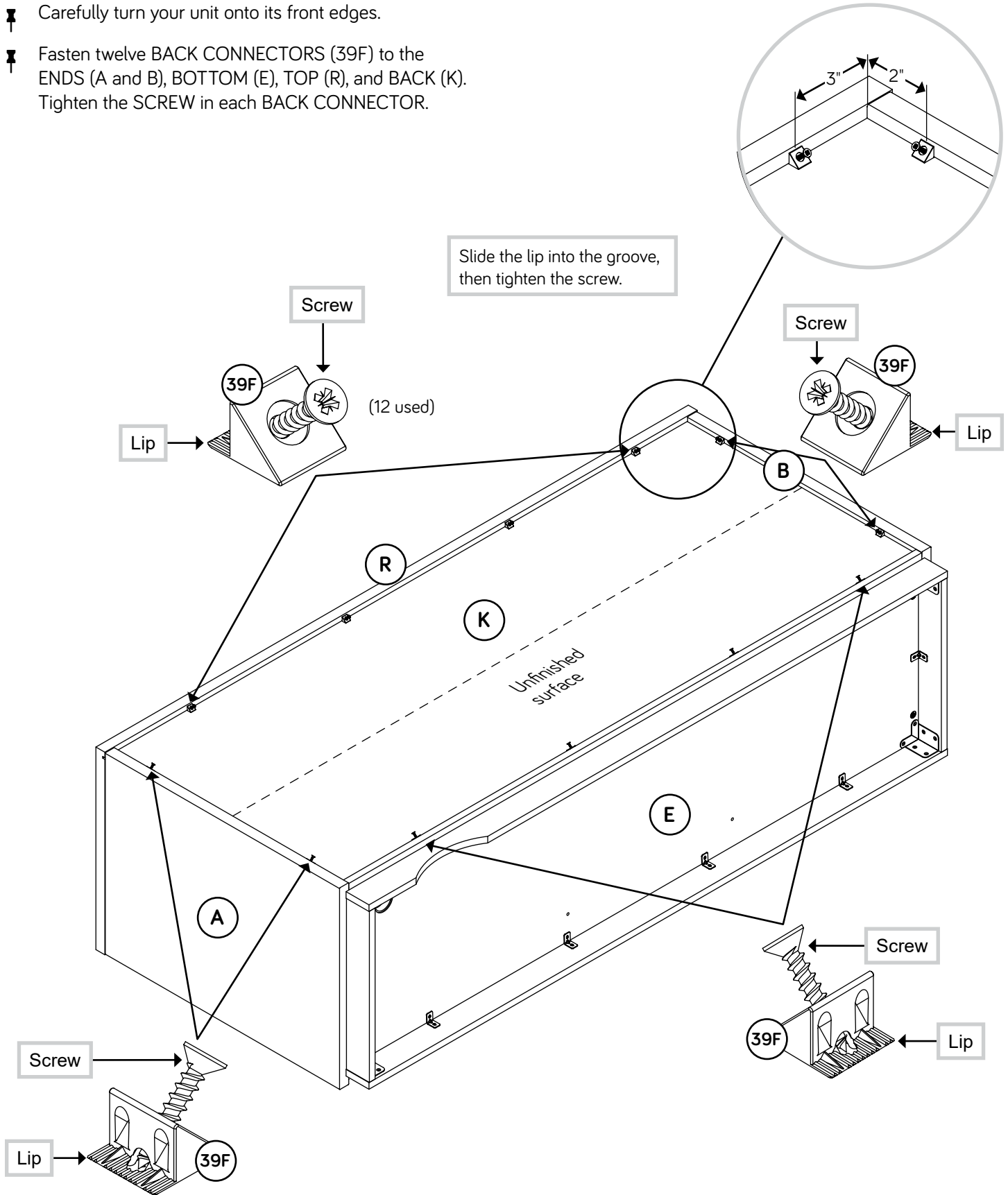
Step 13

- ✚ Fasten the FRONT BASE (J) and the BACK BASE (Q) to the BOTTOM (E). Use eight BLACK 9/16" LARGE HEAD SCREWS (1S) through the METAL BRACKETS on the FRONT and BACK BASES and into the BOTTOM.
- ✚ Fasten the FRONT BASE (J) and the BACK BASE (Q) to the CORNER BRACKETS. Use eight BLACK 9/16" LARGE HEAD SCREWS (1S) through the CORNER BRACKETS and into the FRONT AND BACK BASES.
- ✚ NOTE: You should start each SCREW a few turns before completely tightening any of them.



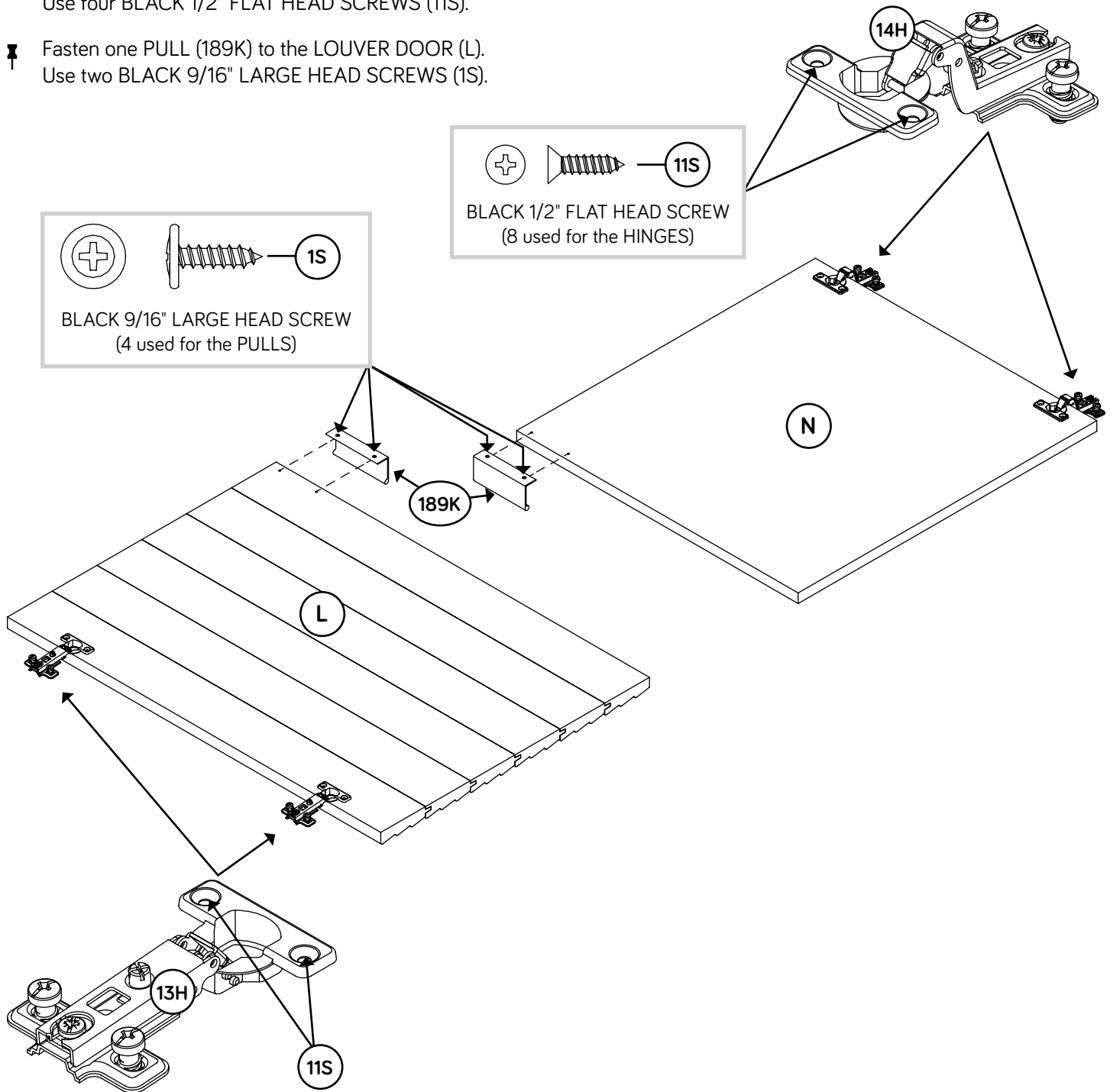
Step 14

- ⚡ Carefully turn your unit onto its front edges.
- ⚡ Fasten twelve BACK CONNECTORS (39F) to the ENDS (A and B), BOTTOM (E), TOP (R), and BACK (K). Tighten the SCREW in each BACK CONNECTOR.



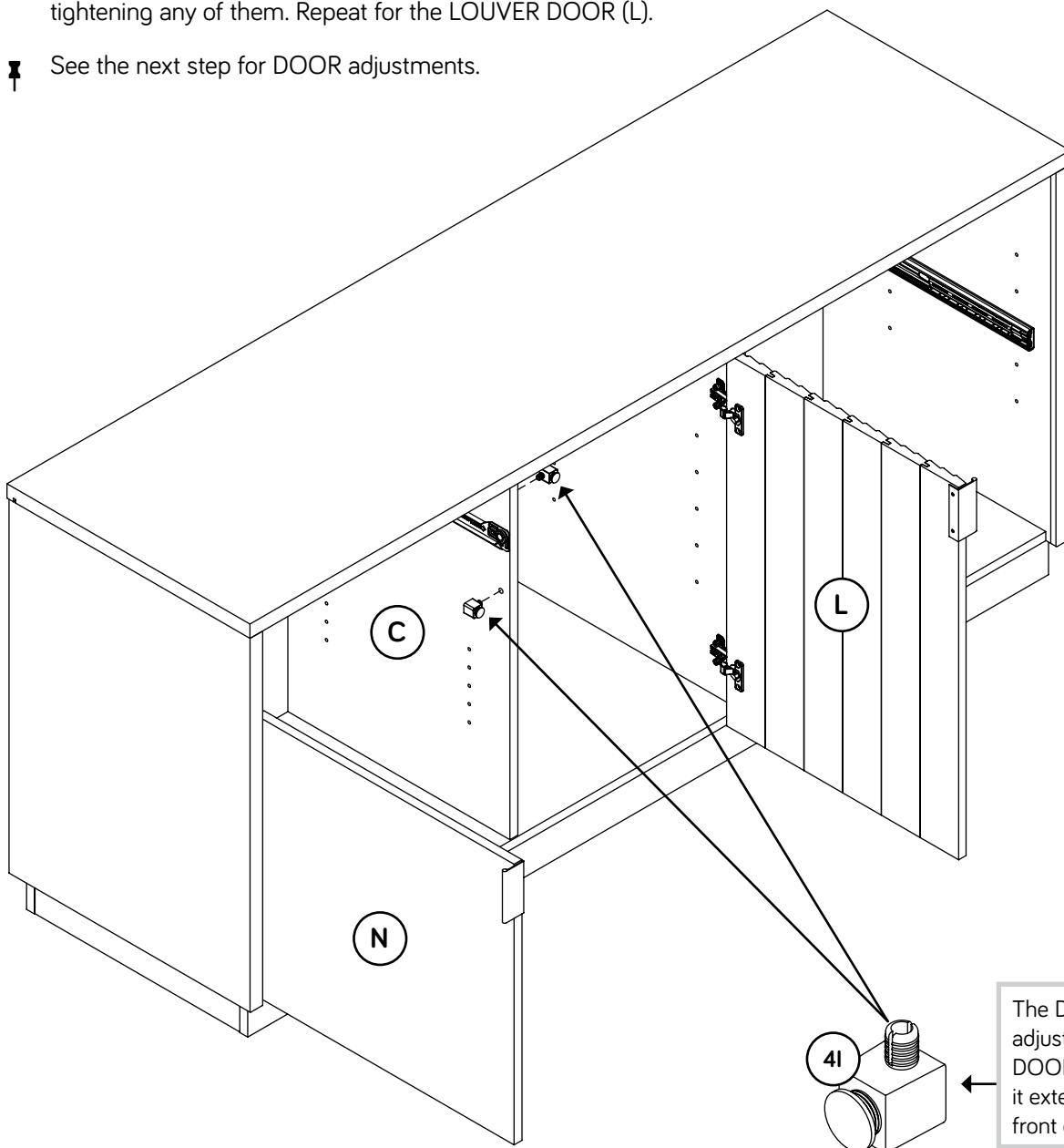
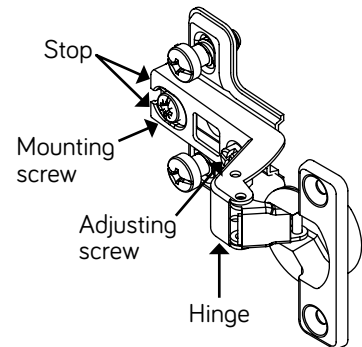
Step 15

- Fasten two HINGES (14H) to the DOOR (N). Use four BLACK 1/2" FLAT HEAD SCREWS (11S).
- Fasten one PULL (189K) to the DOOR (N). Use two BLACK 9/16" LARGE HEAD SCREWS (1S).
- Fasten two HINGES (13H) to the LOUVER DOOR (L). Use four BLACK 1/2" FLAT HEAD SCREWS (11S).
- Fasten one PULL (189K) to the LOUVER DOOR (L). Use two BLACK 9/16" LARGE HEAD SCREWS (1S).



Step 16

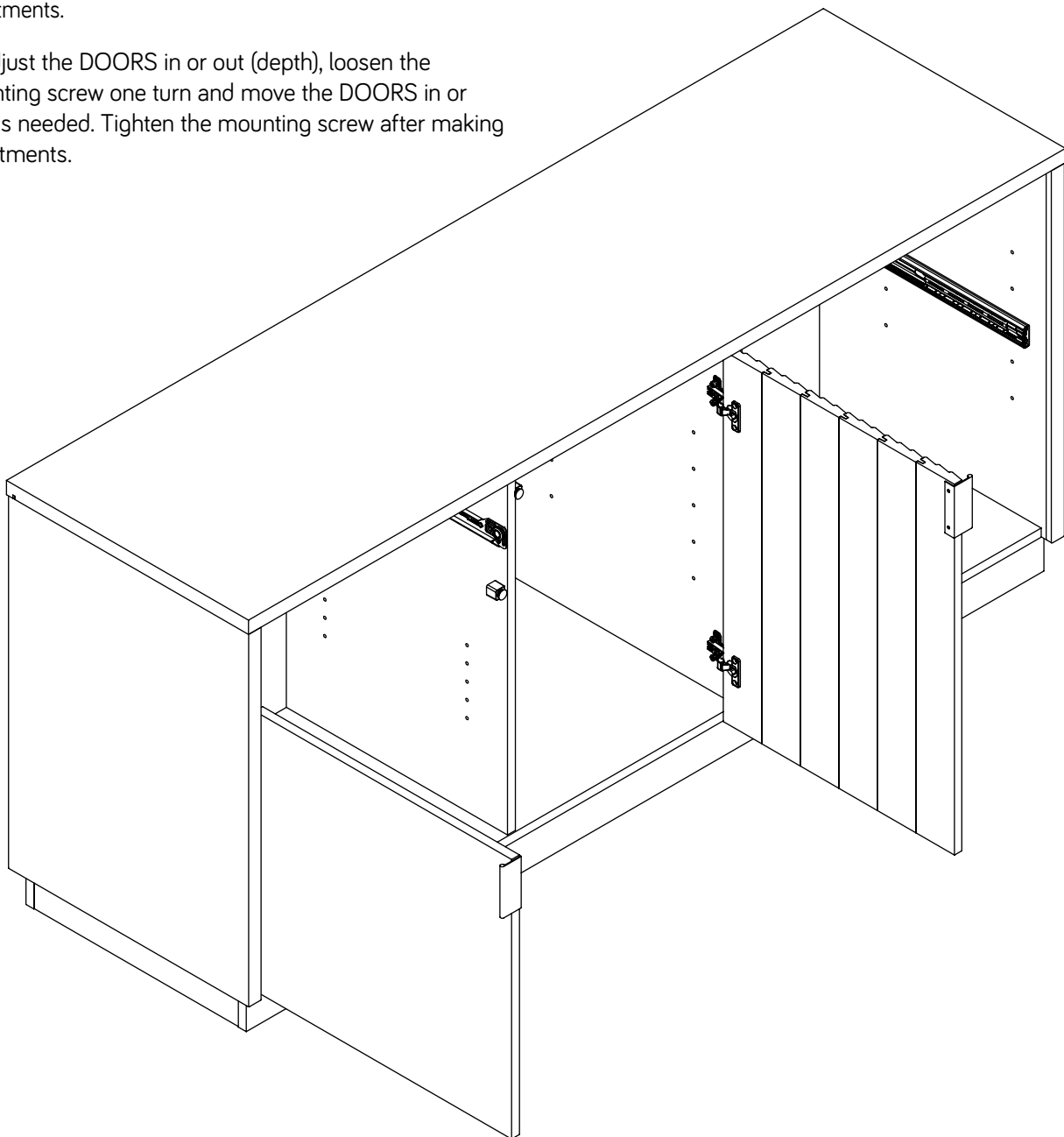
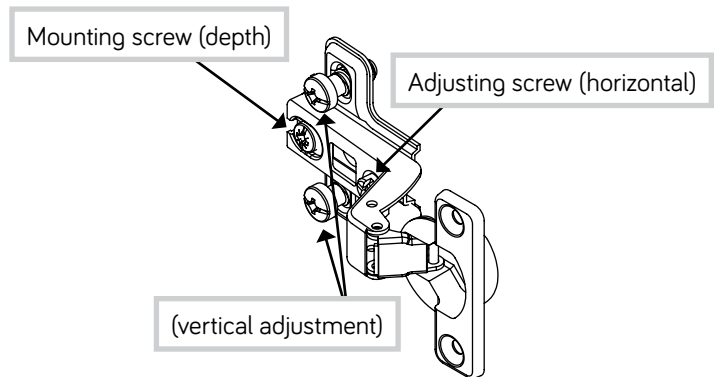
- ✚ Carefully stand your unit upright.
- ✚ Push two DOOR STOPS (4I) into the holes in the LEFT UPRIGHT (C).
- ✚ Before fastening the DOOR to your unit, be sure the mounting screw is against the stops as shown in the right diagram. If it isn't, loosen the adjusting screw and mounting screw to slide it against the stops. Then tighten the mounting screw.
- ✚ Fasten the DOOR (N) to the LEFT END (B) as shown in the lower diagram. Use the screws in the HINGES. You should start each SCREW a few turns before completely tightening any of them. Repeat for the LOUVER DOOR (L).
- ✚ See the next step for DOOR adjustments.



The DOOR STOP is adjustable. If needed, turn the DOOR STOP left or right until it extends slightly past the front edge of the UPRIGHT.

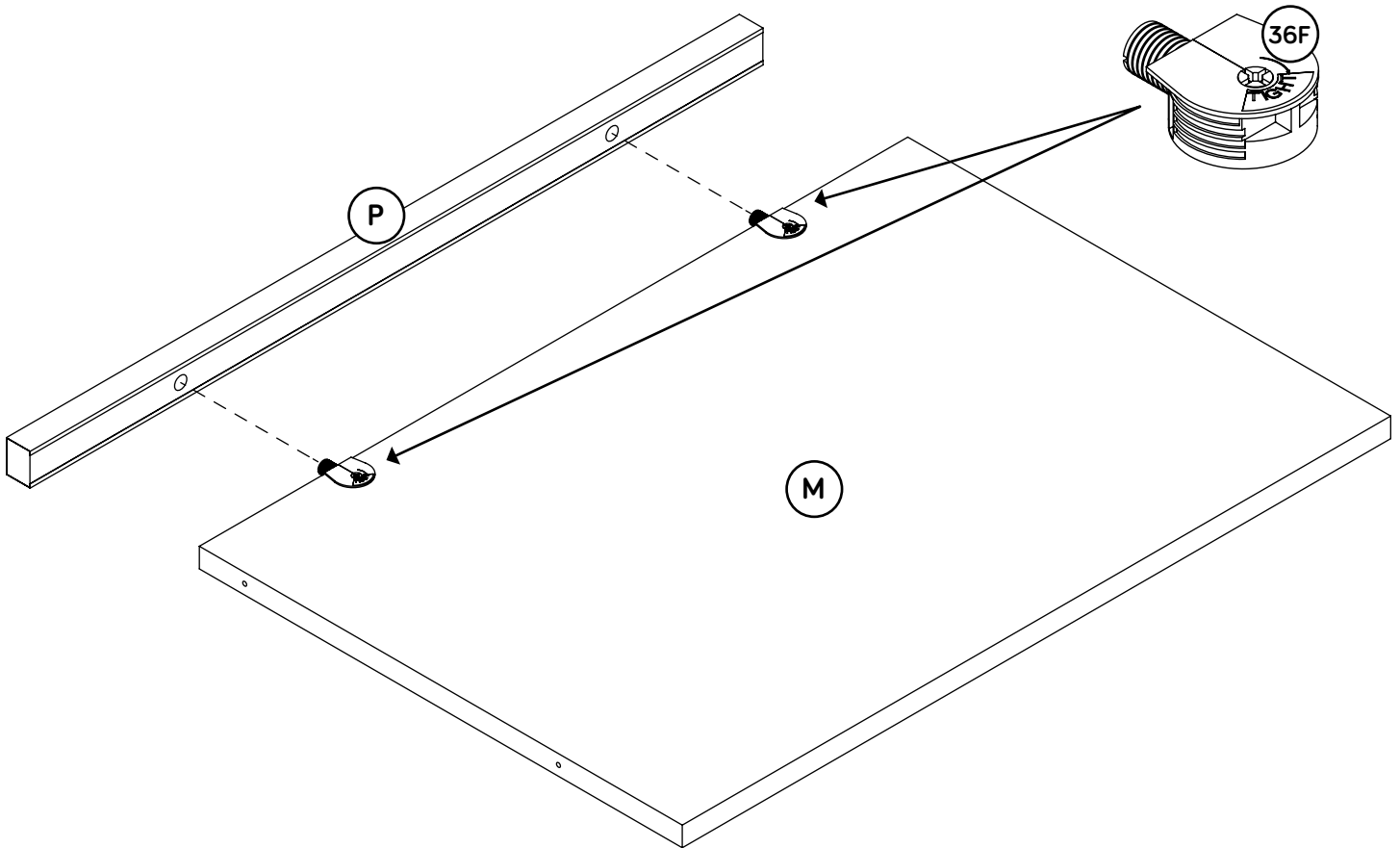
Step 17

- ✚ Refer to the enlarged diagram to identify the parts on the HINGES.
- ✚ The DOORS may need some adjustments. Follow the text below to make needed adjustments.
- ✚ **DOOR ADJUSTMENTS:**
 - To adjust the DOORS from side to side (horizontal), turn the adjusting screw in or out.
 - To adjust the DOORS up and down (vertical), loosen both vertical adjustment screws. Move the DOORS up or down to the desired location. Tighten the screws after making adjustments.
 - To adjust the DOORS in or out (depth), loosen the mounting screw one turn and move the DOORS in or out, as needed. Tighten the mounting screw after making adjustments.



Step 18

- ✚ Push two TWIST-LOCK FASTENERS (36F) into the large holes in the PRINTER SHELF (M).
- ✚ Fasten the PRINTER SHELF MOLDING (P) to the PRINTER SHELF (M). Tighten two TWIST-LOCK FASTENERS.

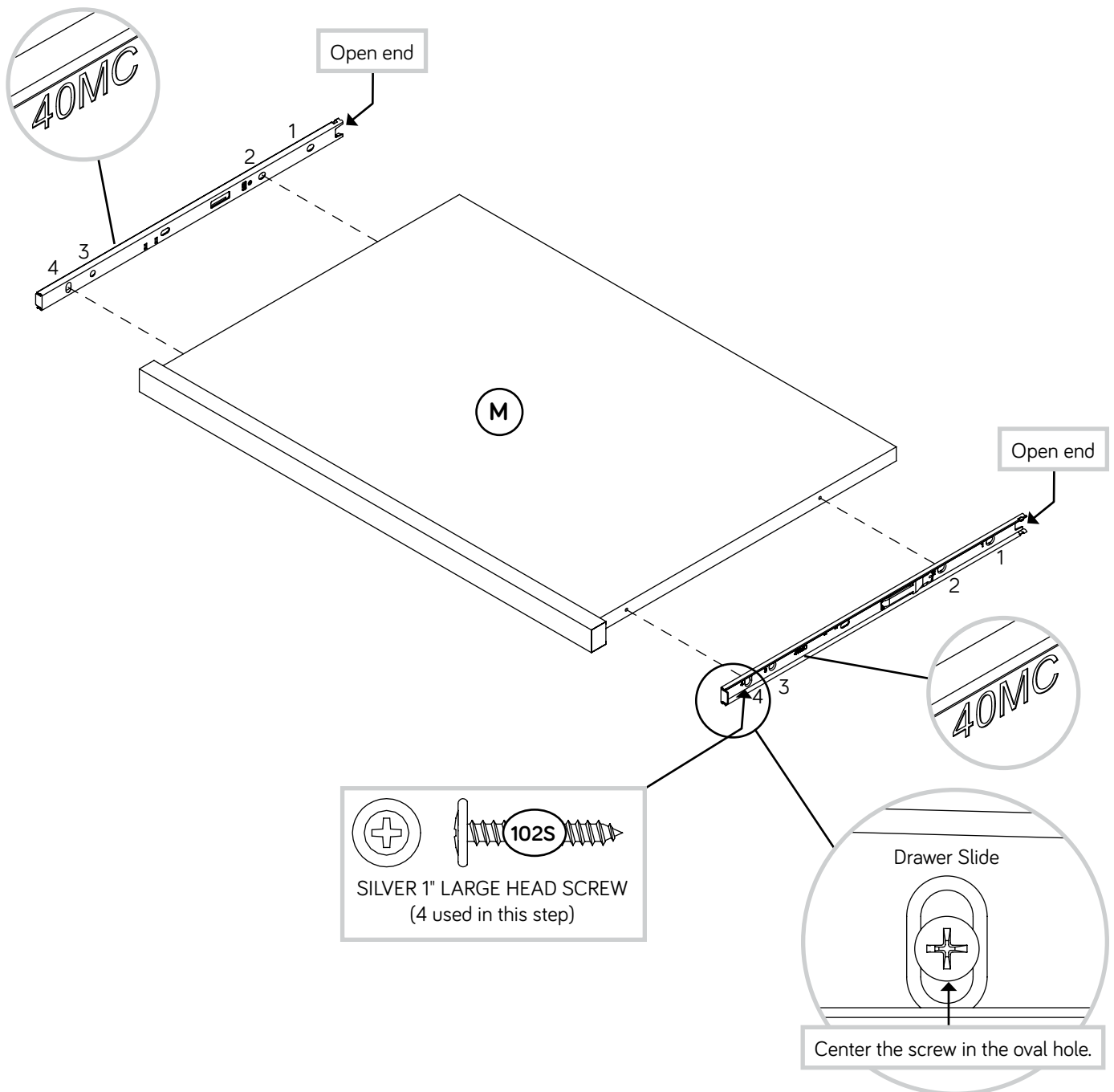


Step 19

Fasten the EXTENSION SLIDES (40MC) to the PRINTER SHELF (M). Use four SILVER 1" LARGE HEAD SCREWS (102S) through holes #2 and #4.



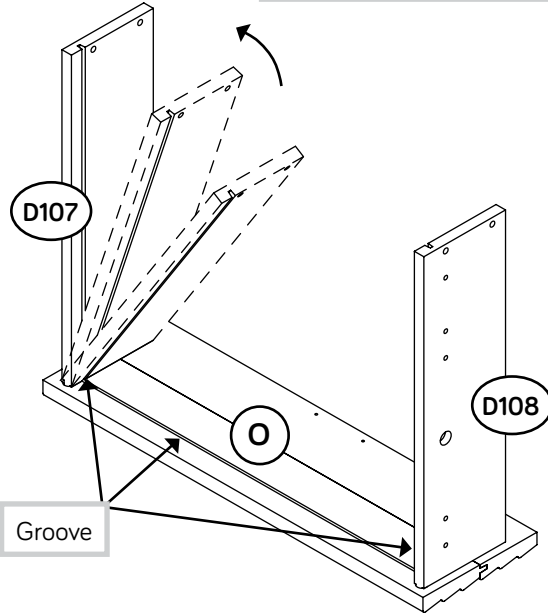
If you're doing this to help a friend, don't leave without a bite.



Step 20

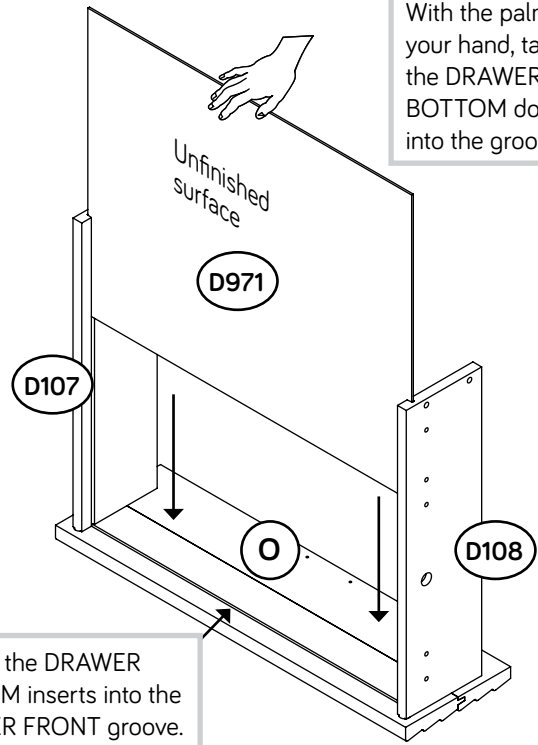
1

The tabs should insert freely into the slots. Gently tilt the DRAWER SIDES side to side until the tabs slip into the slots.



2

With the palm of your hand, tap the DRAWER BOTTOM down into the groove.



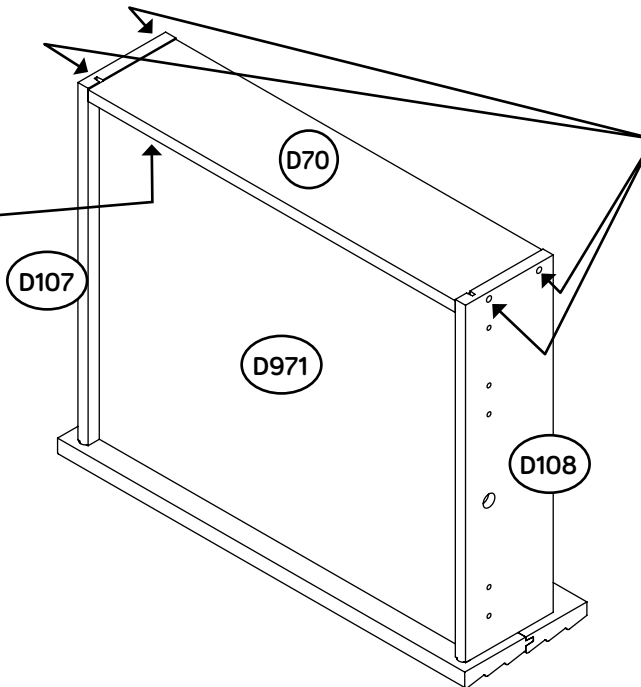
Be sure the DRAWER BOTTOM inserts into the DRAWER FRONT groove.

⚡ Insert the DRAWER SIDES (D107 and D108) at an angle into the slot at each end of the DRAWER FRONT (O).

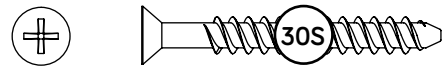
⚡ Slide the DRAWER BOTTOM (D971) into the grooves in the DRAWER SIDES (D107 and D108) and DRAWER FRONT (O).

3

Be sure the DRAWER BOTTOM inserts into the DRAWER BACK groove.



Start each screw a few turns before completely tightening any of them.



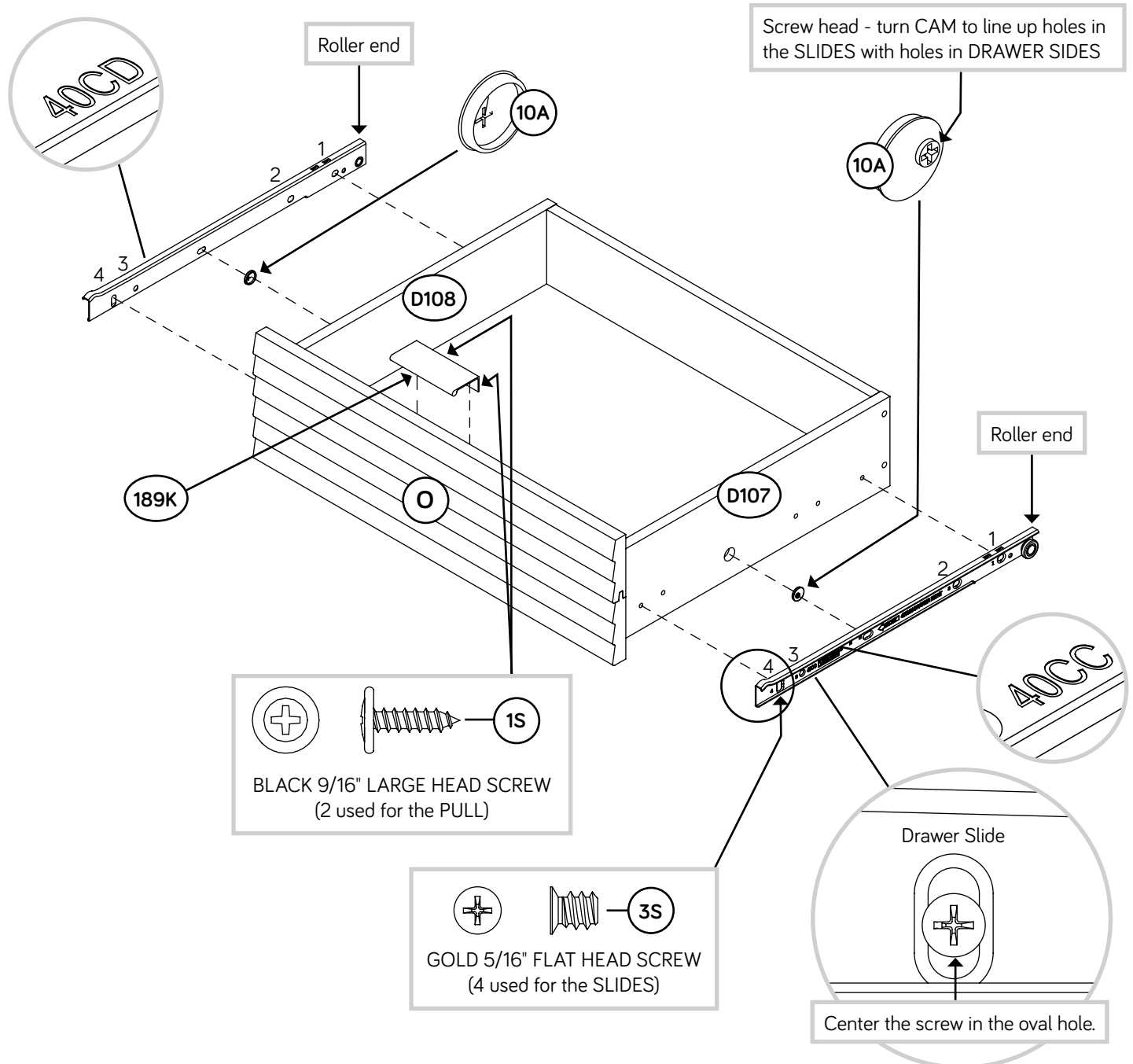
BLACK 1-9/16" FLAT HEAD SCREW
(4 used in this step)

⚡ Fasten the DRAWER BACK (D70) to the DRAWER SIDES (D107 and D108). Use four BLACK 1-9/16" FLAT HEAD SCREWS (30S).

⚡ **NOTE:** Be sure the DRAWER BOTTOM (D971) inserts into the groove of the DRAWER BACK (D70).

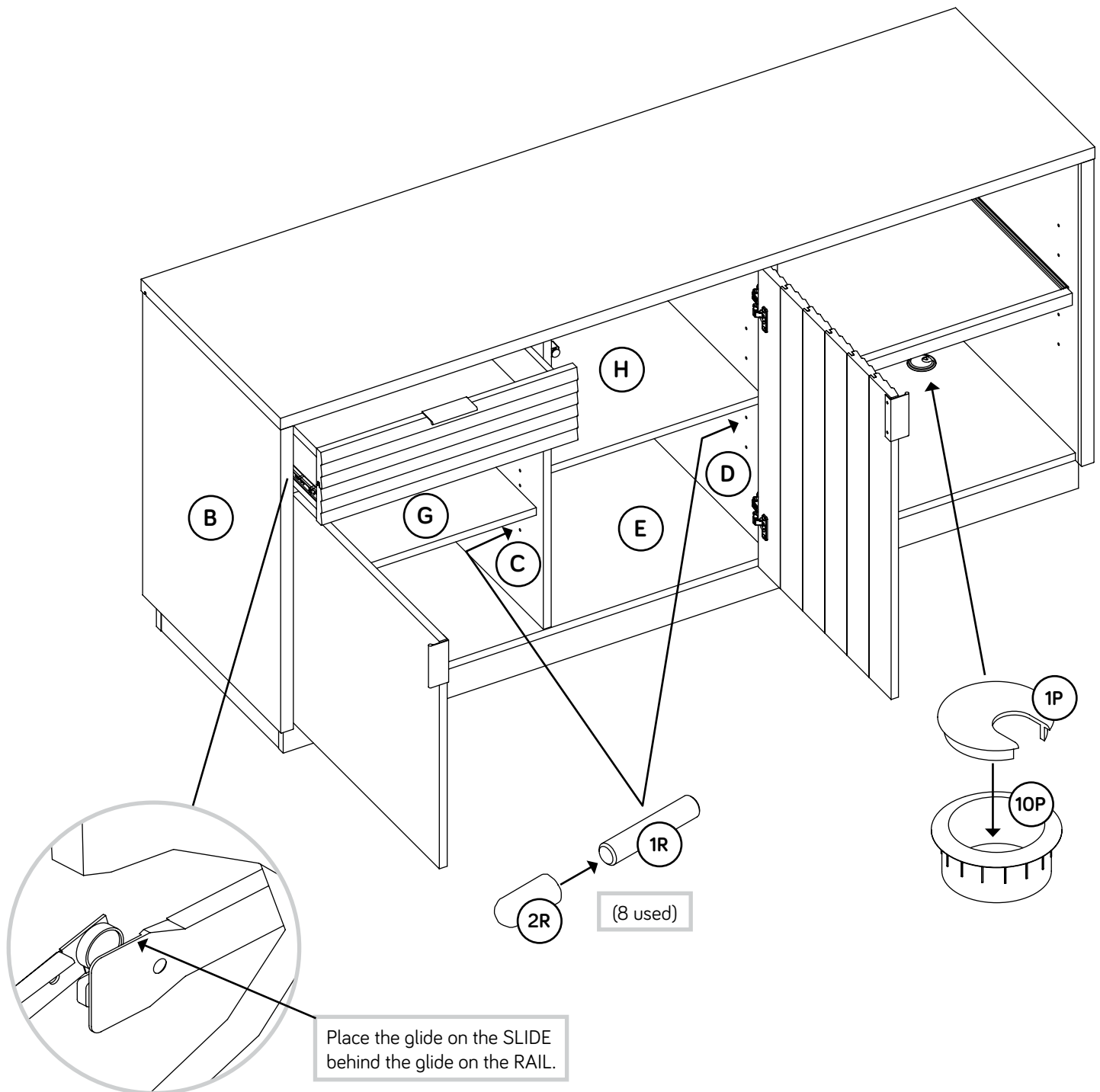
Step 21

- ✚ Insert a SLIDE CAM (10A) into the DRAWER SIDES (D107 and D108).
- ✚ Fasten the DRAWER RIGHT (40CC) to the RIGHT DRAWER SIDE (D107) and the DRAWER LEFT (40CD) to the LEFT DRAWER SIDE (D108). Use four GOLD 5/16" FLAT HEAD SCREWS (3S) through holes #1 and #4.
- ✚ NOTE: The screw head in the CAM must be visible through the slotted hole in the SLIDE.
- ✚ Fasten the PULL (189K) to the LOUVER DRAWER FRONT (O). Use two BLACK 9/16" LARGE HEAD SCREWS (1S).



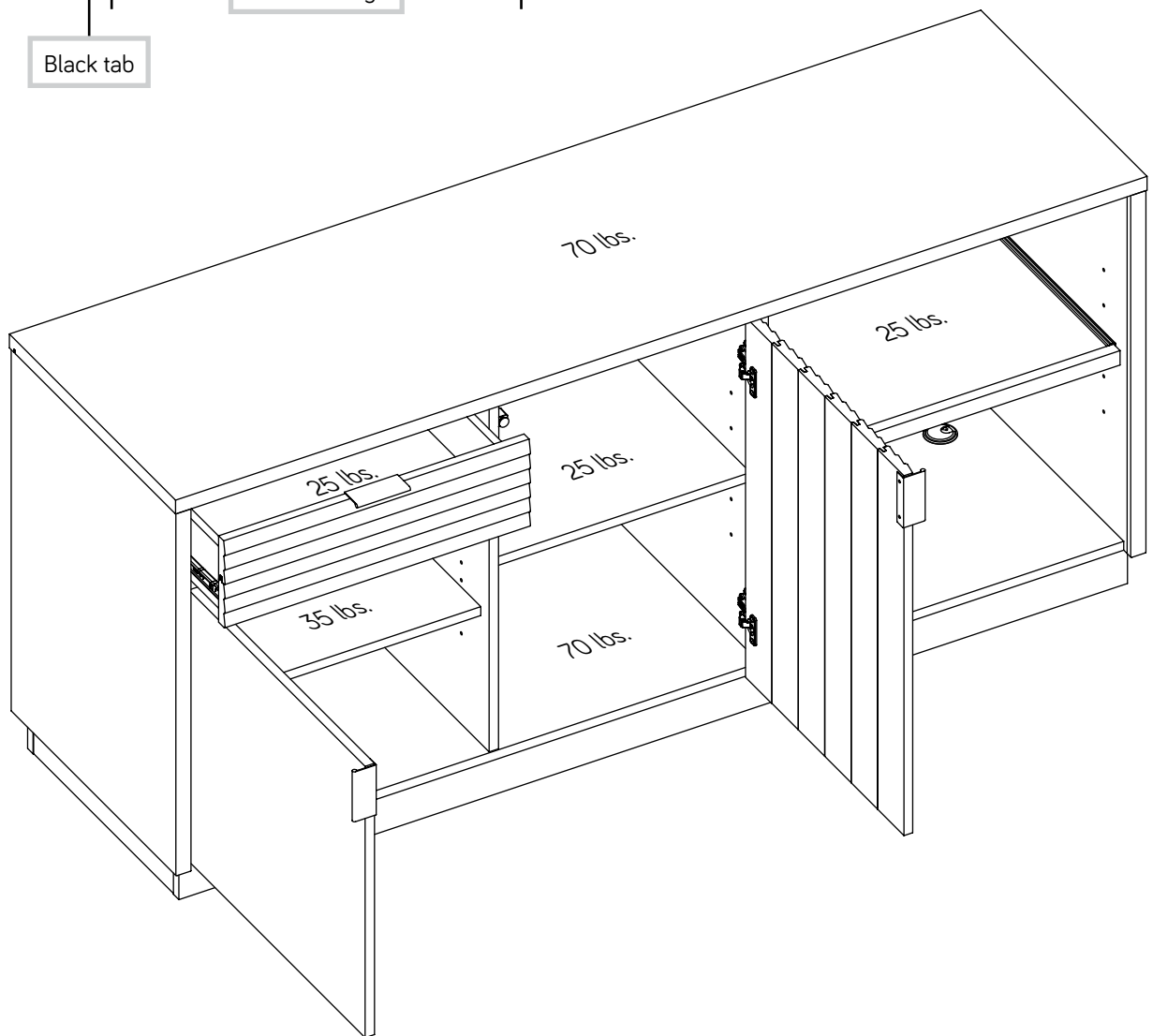
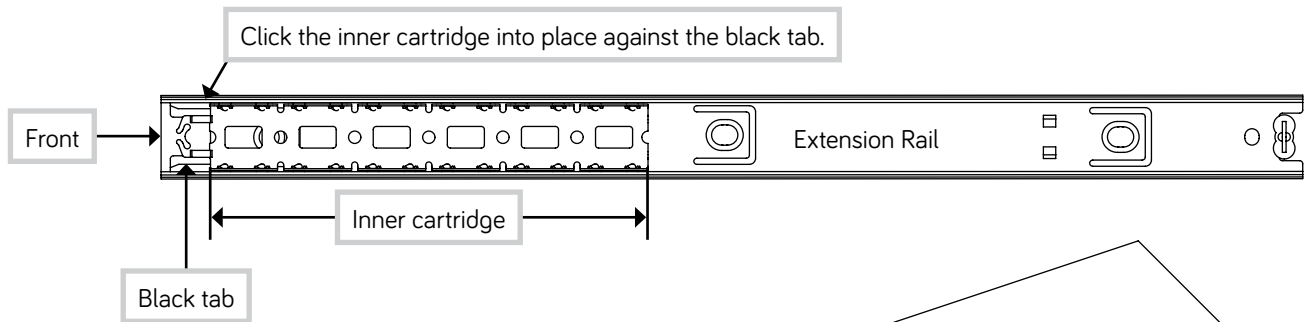
Step 22

- ✚ Insert the GROMMET (10P) and GROMMET CAP (1P) into the large hole in the BOTTOM (E).
- ✚ To insert the drawer into your unit, tip the front of the drawer down and drop the glides on the drawer behind the glides on the unit. Lift the front of the drawer up and slide it into the unit.
- ✚ Push the RUBBER SLEEVES (2R) over the METAL PINS (1R). Insert the METAL PINS (1R) into the hole locations of your choice in the LEFT END (B) and UPRIGHTS (C and D). Set the ADJUSTABLE SHELVES (G and H) onto the METAL PINS.



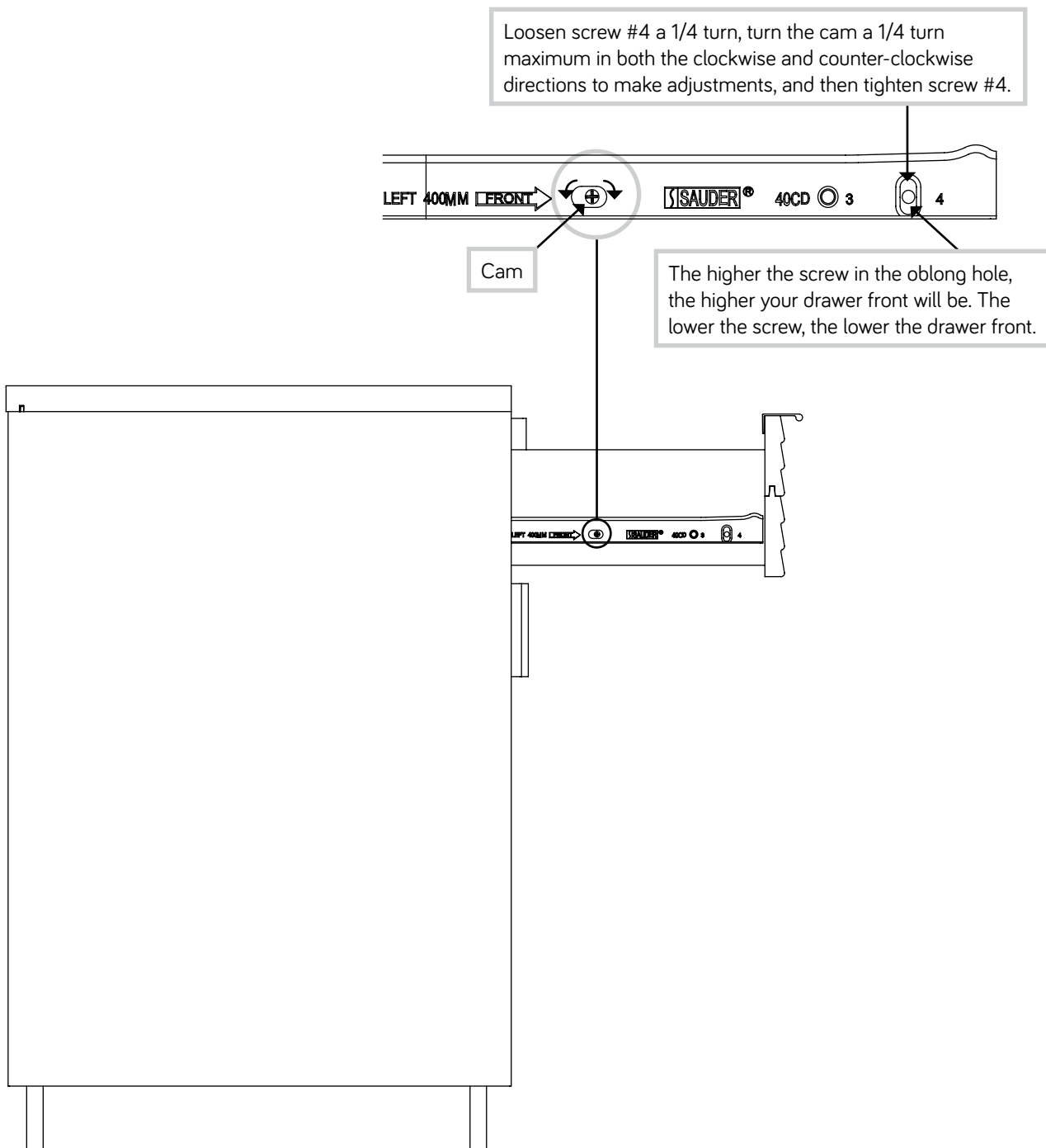
Step 23

- NOTE: Before inserting the PRINTER SHELF, be sure the INNER CARTRIDGE in the EXTENSION RAIL on your unit is all the way forward. The INNER CARTRIDGE should click into place against the BLACK TAB.
- To insert the PRINTER SHELF into your unit, line up the EXTENSION SLIDES on the PRINTER SHELF with the EXTENSION RAILS on the unit and push the PRINTER SHELF into the unit until the PRINTER SHELF is fully inserted. The PRINTER SHELF will push in hard until it is all the way in, then it will slide in and out easier.



Step 24

- ✚ To make adjustments to the drawer, loosen SCREW #4 in the SLIDES a 1/4 turn, then turn the cam clockwise or counter-clockwise. Notice how the drawer raises or lowers as you turn the cam. By adjusting the drawer this way, it will help the DRAWER FRONT line up better when closed. Tighten the SCREWS when finished with adjustments.
- ✚ NOTE: Please read the back pages of the instruction booklet for important safety information.
- ✚ This completes assembly. Clean with a damp cloth. Wipe dry.



⚠ WARNING

Please use your furniture correctly and safely. Improper use can cause safety hazards, or damage to your furniture or household items. ***Carefully read the following chart.***

Look out for:	What can happen:	How to avoid the problem:
<ul style="list-style-type: none">• Overloaded shelves or drawers.• Improper loading can cause the product to be top-heavy.	<ul style="list-style-type: none">• Risk of injury.• Top-heavy furniture can tip over.• Overloaded shelves and drawers can break.	<ul style="list-style-type: none">• Never exceed the weight limits shown in the instructions.• Work from bottom to top when loading shelves and drawers. Place the heavier items on the lower shelves or in lower drawers.
<ul style="list-style-type: none">• Improperly moving furniture that is not designed and equipped with casters.	<ul style="list-style-type: none">• Furniture can tip over or break if improperly moved.• Physical injury. Furniture can be very heavy.• Breakage of tops - particularly with double pedestal furniture (drawers at both ends).	<ul style="list-style-type: none">• Unload shelves and drawers from top to bottom before moving the unit.• Do not push furniture, especially on a carpeted floor. Have a friend help you lift the item and set it in place.• Provide support to the center section of the top when lifting the furniture.
<ul style="list-style-type: none">• Placing TVs on furniture items that are not designed to support a television is hazardous.	<ul style="list-style-type: none">• Risk of injury or death. TVs can be very heavy. Plus the weight and location of the picture tube tends to make TVs unbalanced and prone to tipping forward.	<ul style="list-style-type: none">• This product is not designed to support a television.