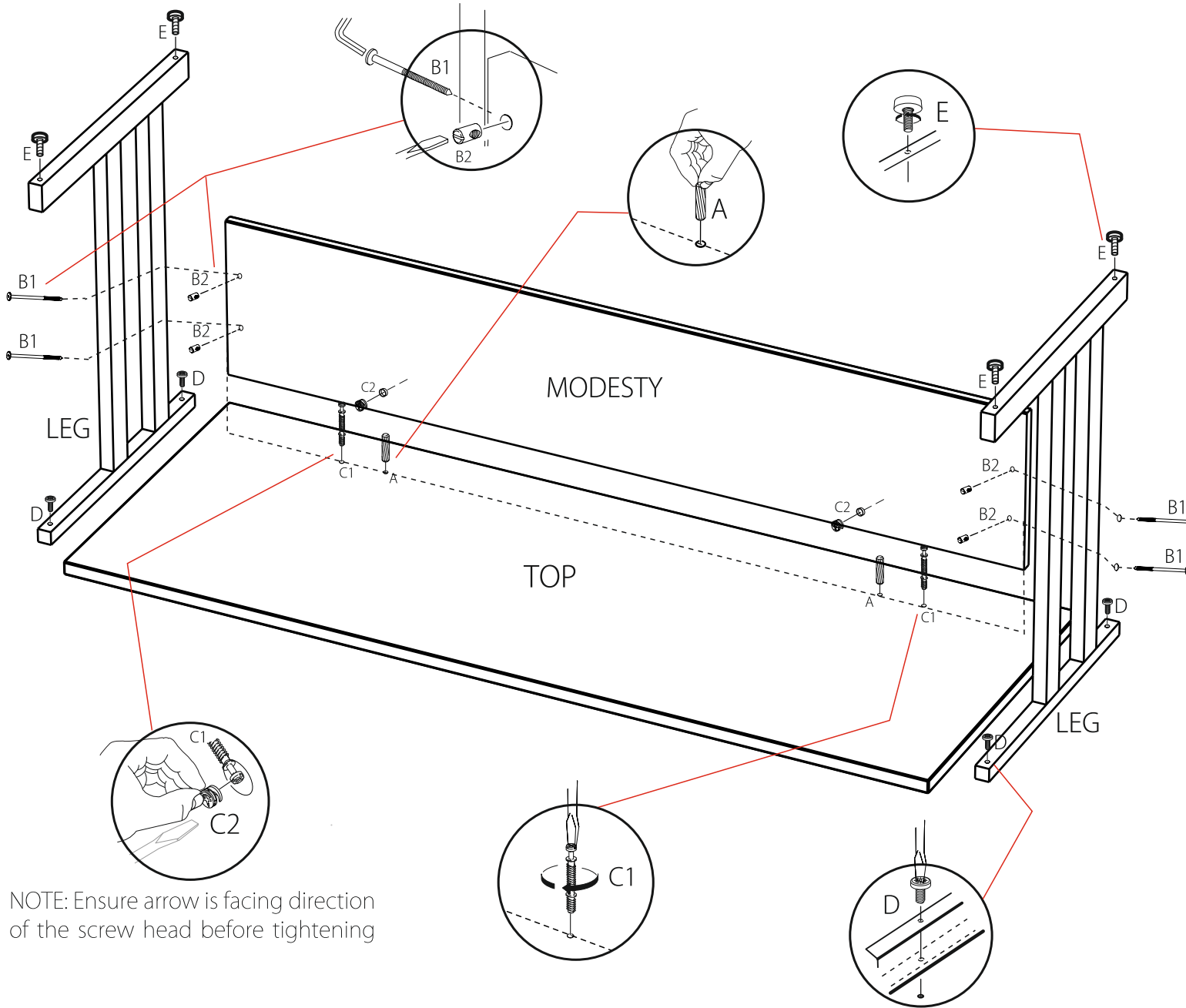


# RETURN DESK-CANTILEVER

## Assembly instruction



- 1) Separate all parts and fittings.
- 2) Check all parts you have received are correct.
- 3) Place the desk top upside down. This will require two people.
- 4) Attach all wooden dowels (A) to the desk top.
- 5) Attach all screws (C1) to the desk top.
- 6) Position the modesty panel on the desk. Ensure the dowels and screws are inserted into the correct holes.
- 7) Place the cam locks (C2) into position in the modesty panel and turn them to lock the modesty panel into place.
- 8) Attach the cantilever legs to the desk top using screws (D).
- 9) Position the cross dowels (B2) in the modesty panels.
- 10) Insert the screws (B1) into their positions on the cantilever leg. Tighten the screws (B1) into the cross dowels (B2) to secure the legs to the desk.
- 11) Screw the height adjusting feet (E) into the legs. Do not tighten too much as you may need to adjust the height when the desk is in position.
- 12) Go around all fittings a final time and ensure they are secure.
- 13) When turning the desk over it is important to remember that a two-person lift will mean you do not damage the assembly.

If your desk requires moving after assembly, please lift with 2 people to prevent any damage to the assembly.

NOTE: Ensure arrow is facing direction of the screw head before tightening

