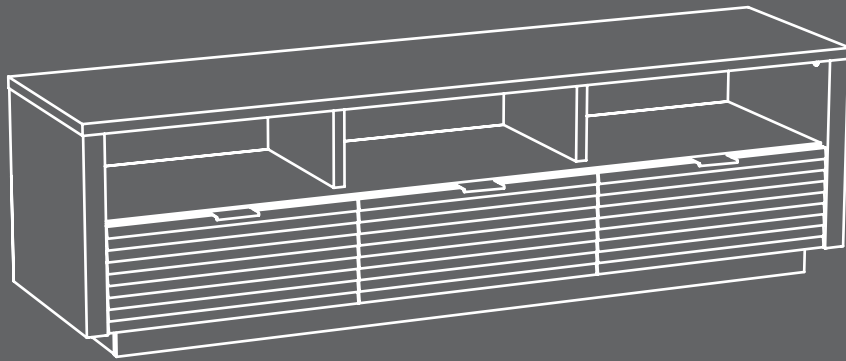


Teknik

www.teknikoffice.co.uk



Your **holder** for all
things awesome.

Hampstead Park TV Stand/Credenza

Model 5420834

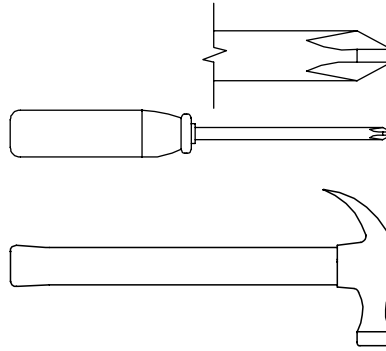
NOTE: THIS INSTRUCTION
BOOKLET CONTAINS **IMPORTANT**
SAFETY INFORMATION.

PLEASE READ AND KEEP FOR
FUTURE REFERENCE.

Table of Contents

Assembly Tools Required

Part Identification	3
Hardware Identification	4
Assembly Steps	5-21
Français	22-24
Español	25-27
Safety	28-30
Warranty	31



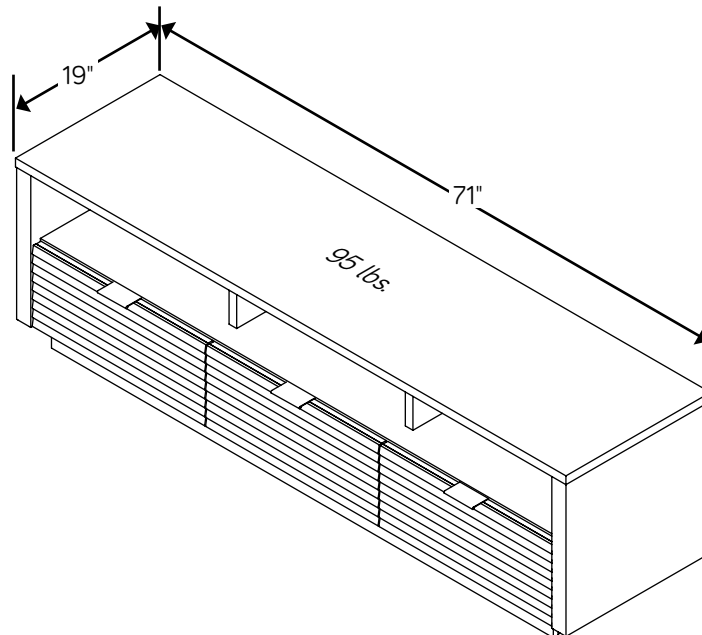
No. 2 Phillips Screwdriver
Tip Shown Actual Size

Hammer
Not actual size 😊

WARNING

Use of a TV that is too heavy or large is hazardous. A TV that is too heavy will create a risk of a tip-over that can cause severe injury or death. A TV that is too large for the available space might be accidentally pushed or bumped off the furniture, or subject to tip-over.

- Check the size and weight of your TV. Compare it to the diagram below – **before you begin assembly!**
- This Sauder unit is designed for use with flat panel televisions weighing less than 95 pounds. **Never** use with a TV that weighs more.
- The size of the television, front-to-back and side-to-side, must fit within the space defined in the diagram.
 - **Never** place the front edge of the TV past the front edge of the TV support shelf (or stop molding – if equipped)
 - **Never** allow the sides of the TV to extend past the side edges of the TV support surface.
- Be sure to apply the warning label as instructed later in the assembly. The label provides important safety related information.



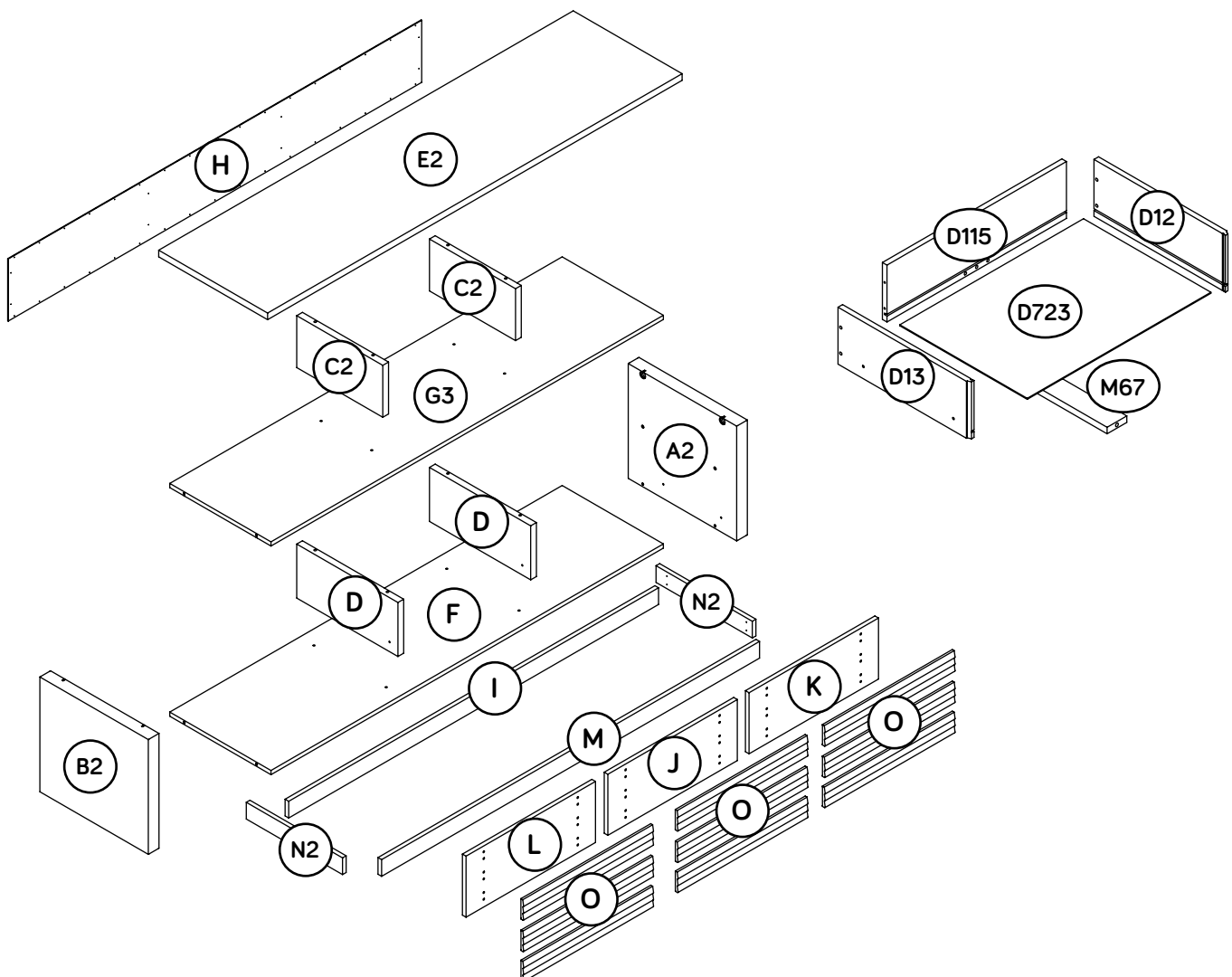
Part Identification

Now you know
our ABCs.



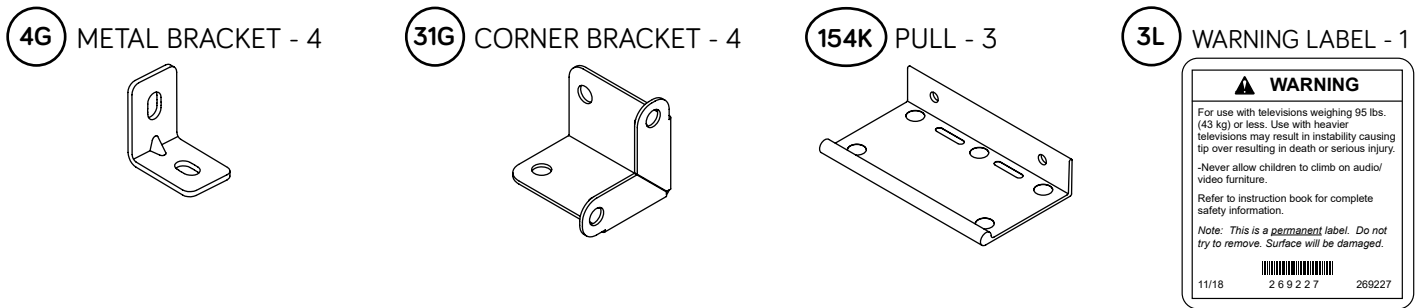
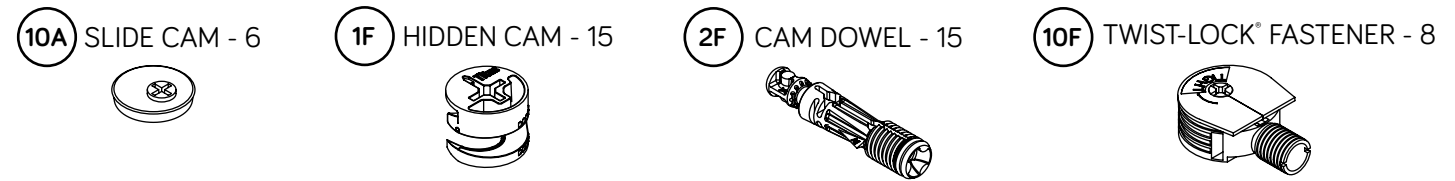
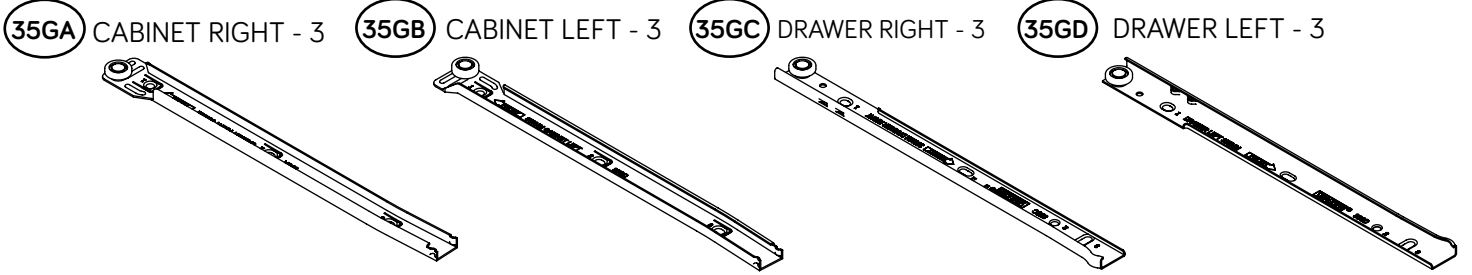
† While not all parts are labeled, some of the parts will have a label or an inked letter on the edge to help distinguish similar parts from each other. Use this part identification to help identify similar parts.

A2	RIGHT END (1)	D723	DRAWER BOTTOM (3)	K	RIGHT DRAWER FRONT (1)
B2	LEFT END (1)	E2	TOP (1)	L	LEFT DRAWER FRONT (1)
C2	UPRIGHT (2)	F	BOTTOM (1)	M	BASE (1)
D	LOWER UPRIGHT (2)	G3	SHELF (1)	M67	DRAWER BRACE (3) (Hidden part using recycled material. Color may vary.)
D12	RIGHT DRAWER SIDE (3)	H	BACK (1)	N2	SIDE BASE (2)
D13	LEFT DRAWER SIDE (3)	I	BRACE (1)	O	MOLDING (9)
D115	DRAWER BACK (3)	J	DRAWER FRONT (1)		

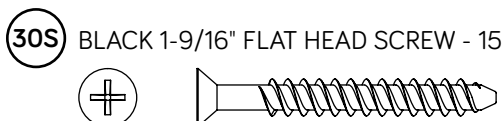
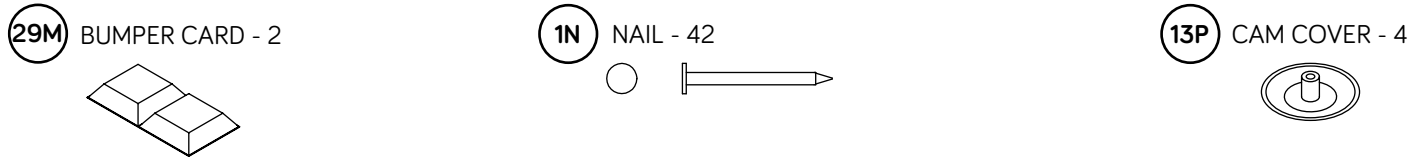


Hardware Identification

† Screws are shown actual size. You may receive extra hardware with your unit.



(Refer to step 16 for proper location and application)



Step 1

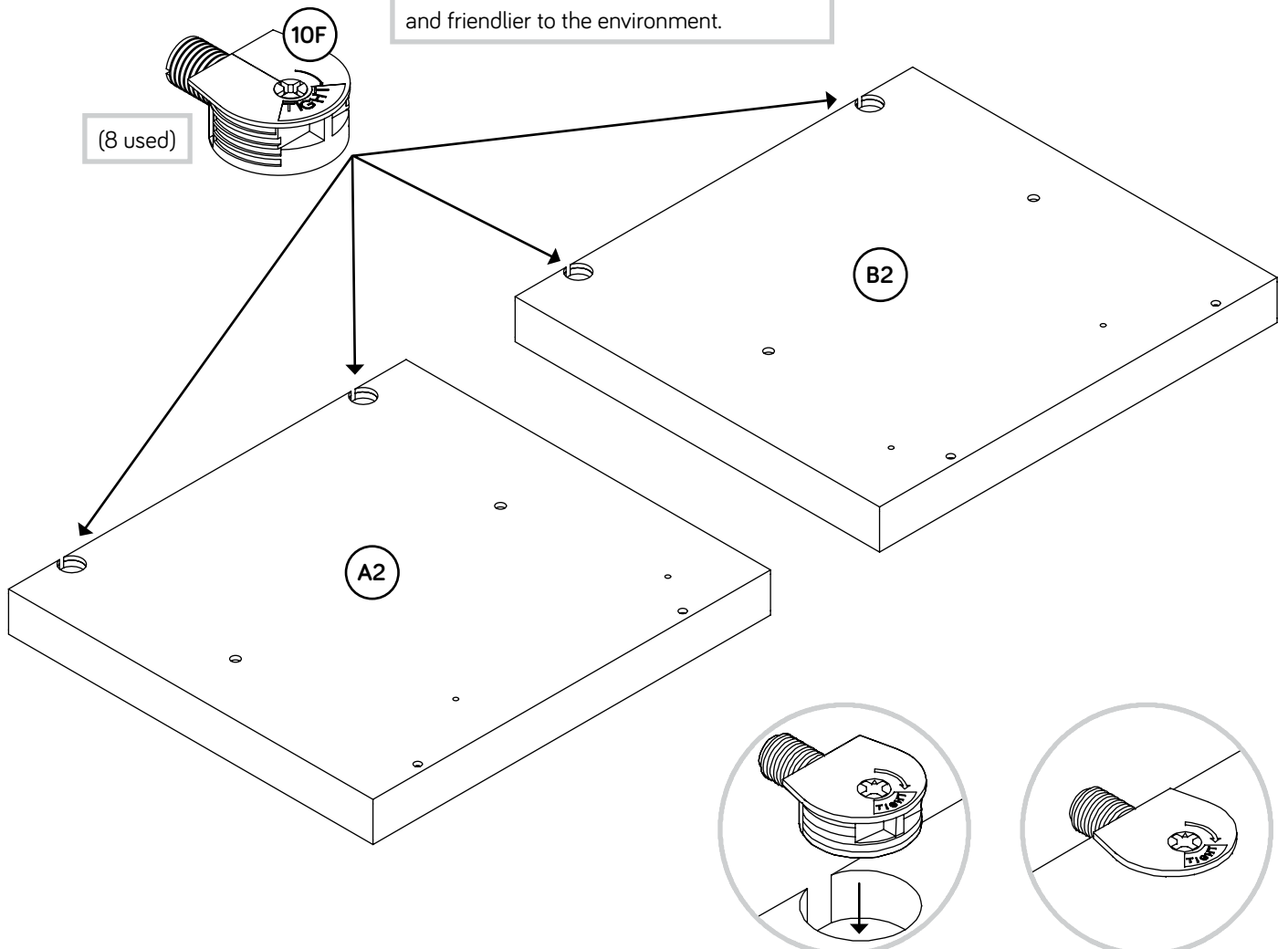
- ✚ Assemble your unit on a carpeted floor or on the empty carton to avoid scratching your unit or the floor.
- ✚ To begin assembly, push a SAUDER TWIST-LOCK® FASTENER (10F) into the large holes in the ENDS (A2 and B2).
- ✚ Repeat this step for the SHELF (G3).



Some assembly
(and snacks) required.

Do not tighten the TWIST-LOCK® FASTENERS in this step.

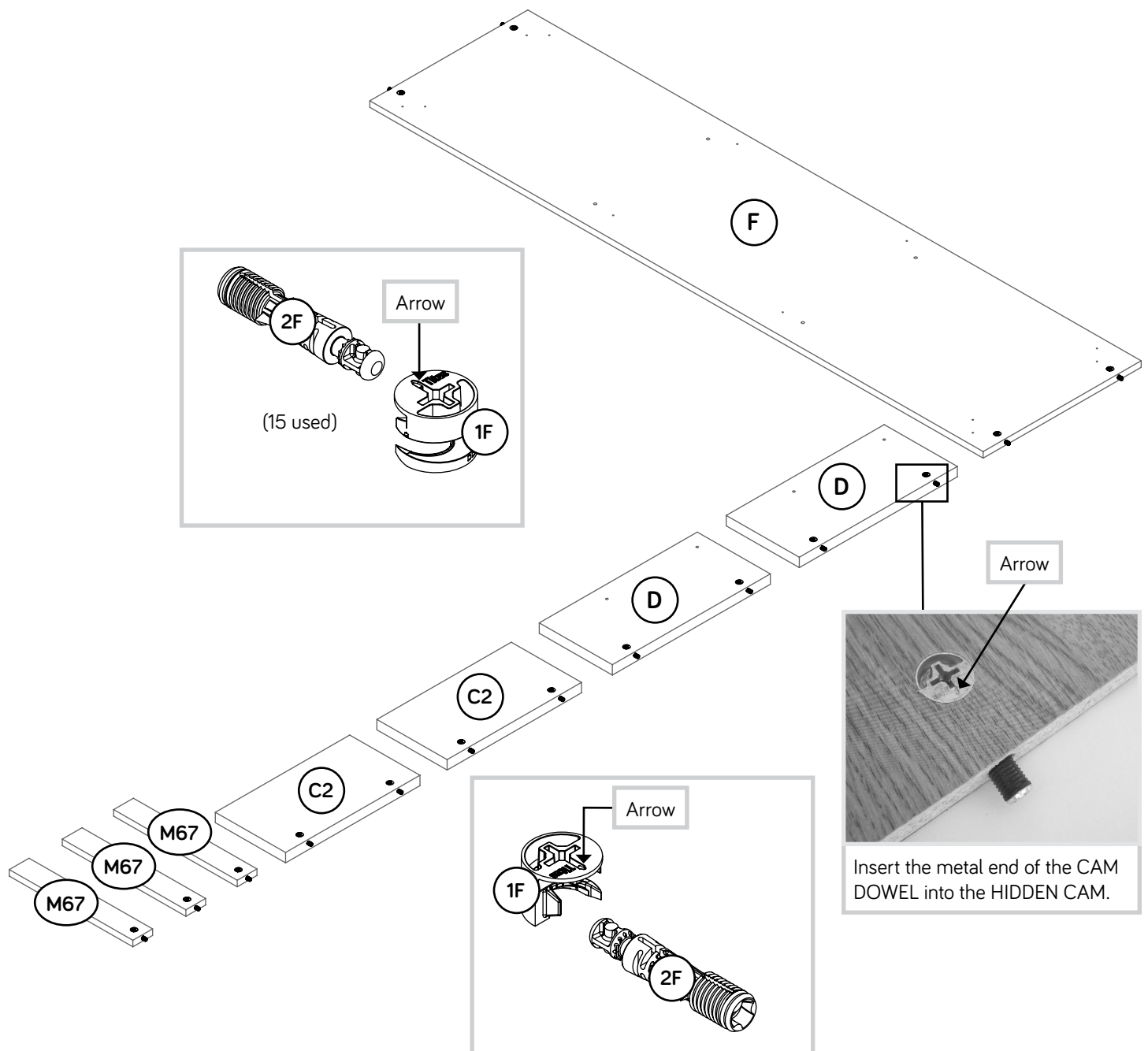
Meet Parts (A2 and B2). These components have been engineered to be lighter, stronger, faster... well ok. Not technically faster. But definitely makes for a sturdier Credenza that's easier to assemble and friendlier to the environment.



Step 2

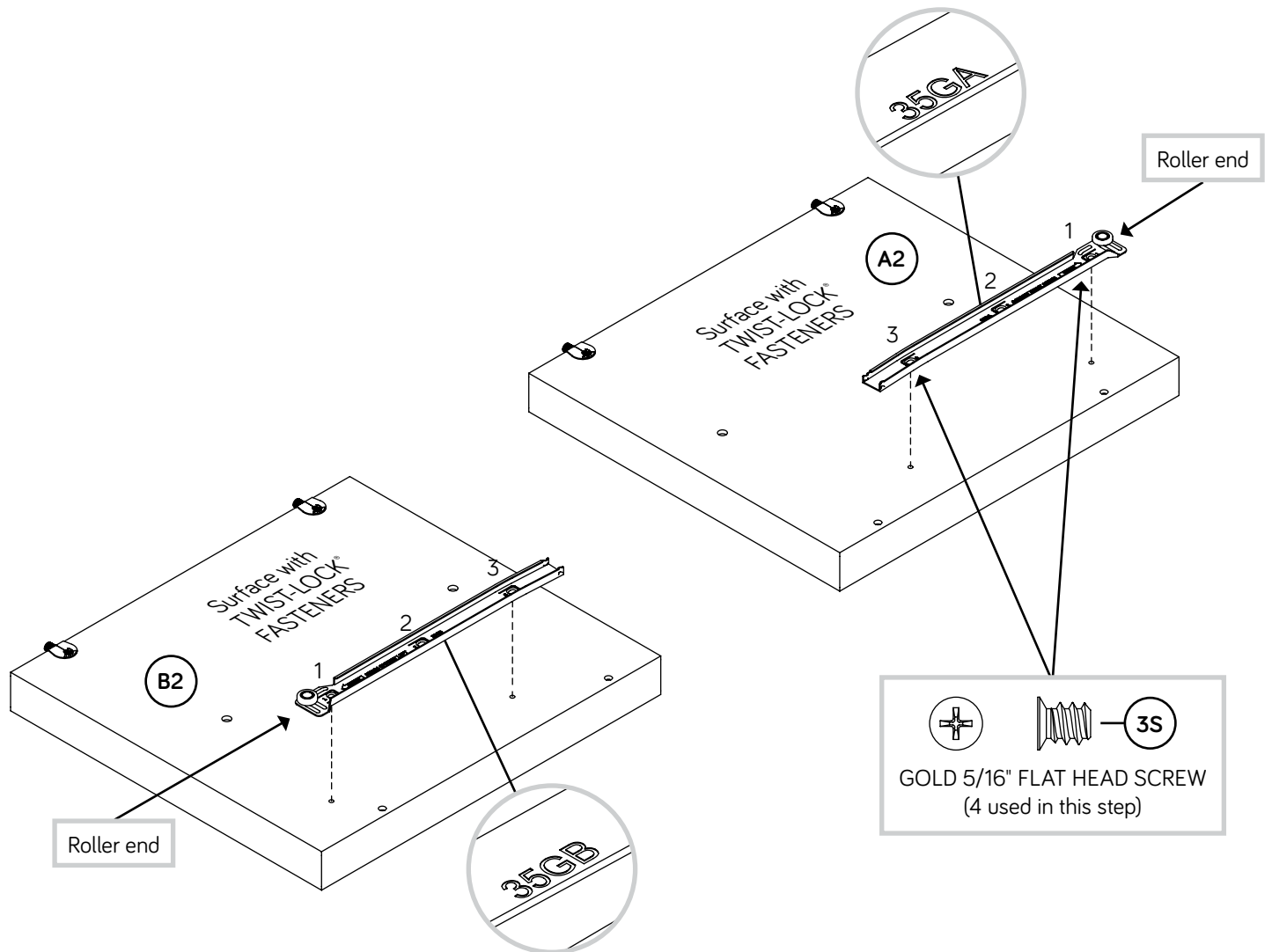
- Push fifteen HIDDEN CAMS (1F) into the UPRIGHTS (C2 and D), BOTTOM (F), and DRAWER BRACES (M67). Then, insert the metal end of a CAM DOWEL (2F) into each HIDDEN CAM.

Do not tighten the HIDDEN CAMS in this step.



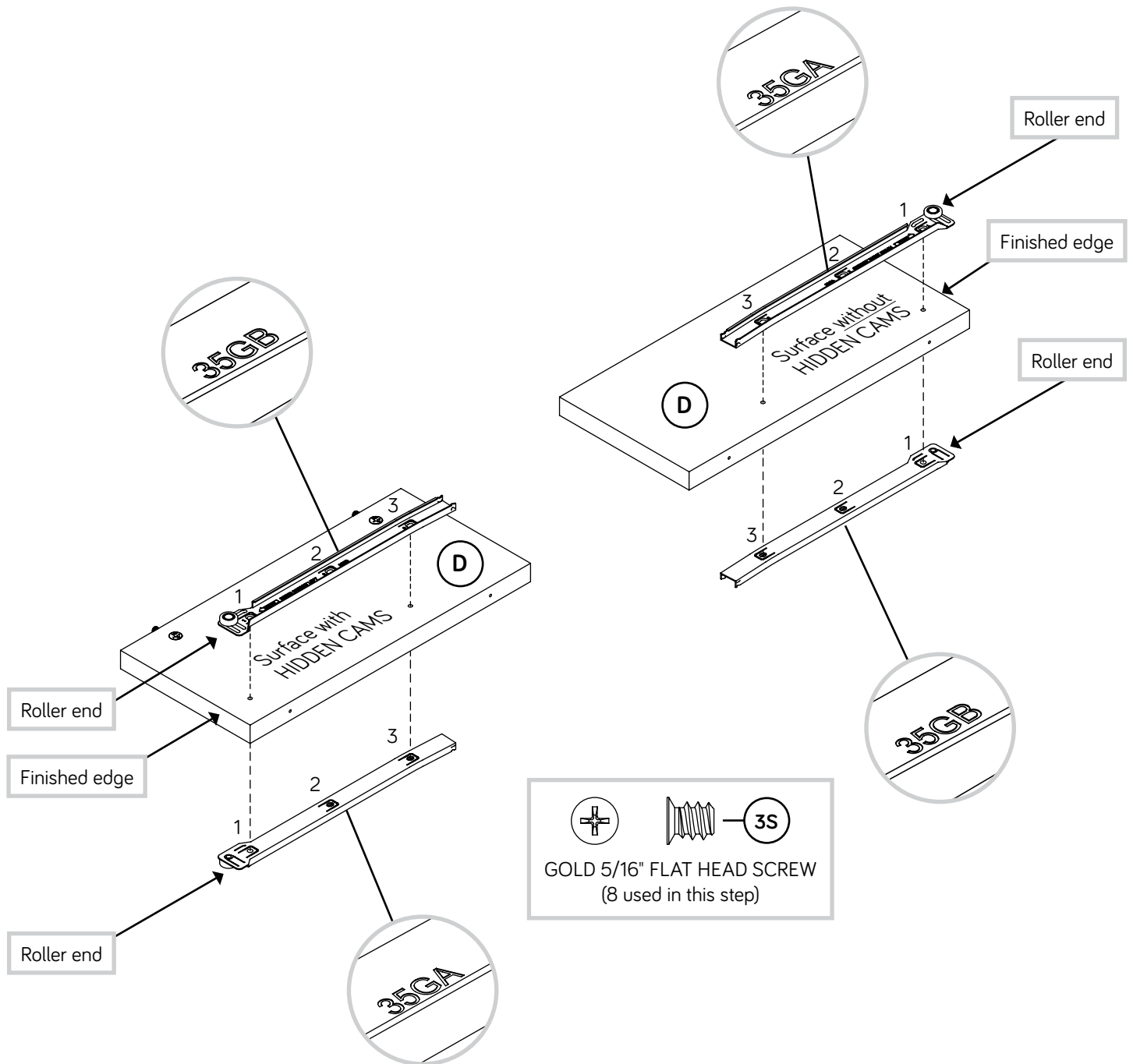
Step 3

- Fasten a CABINET RIGHT (35GA) to the RIGHT END (A2) and a CABINET LEFT (35GB) to the LEFT END (B2). Use four GOLD 5/16" FLAT HEAD SCREWS (3S) through holes #1 and #3.



Step 4

- Fasten the CABINET RIGHTS (35GA) and CABINET LEFTS (35GB) to the LOWER UPRIGHTS (D). Use eight GOLD 5/16" FLAT HEAD SCREWS (3S) through holes #1 and #3.

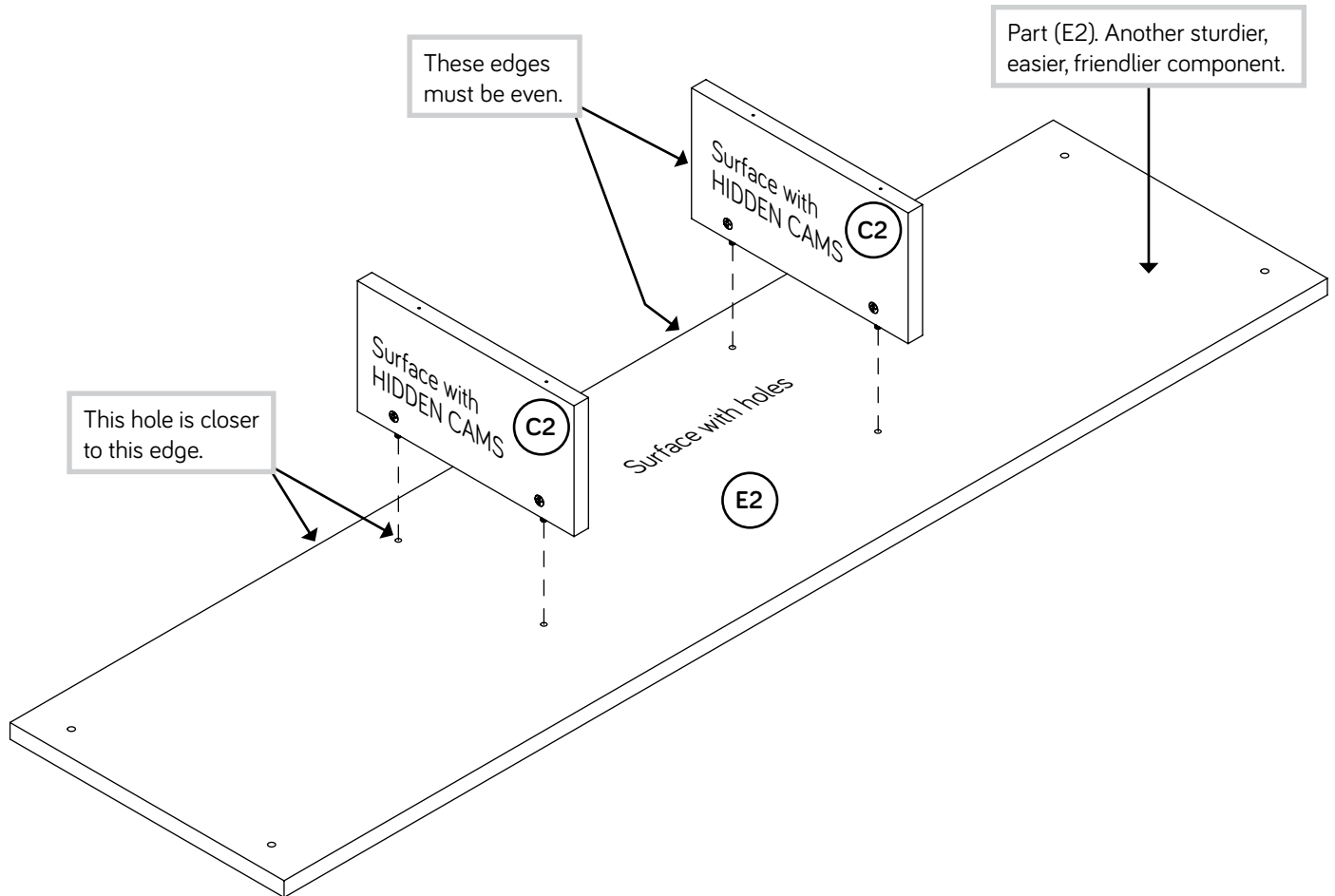


Step 5

- Fasten the UPRIGHTS (C2) to the TOP (E2). Tighten four HIDDEN CAMS.



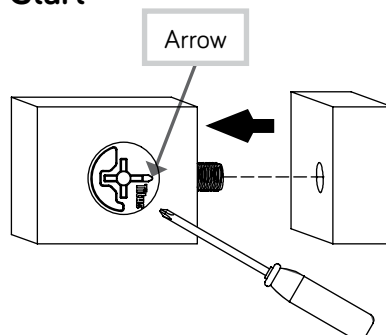
Do not stand the unit upright without the BACK fastened. The unit may collapse.



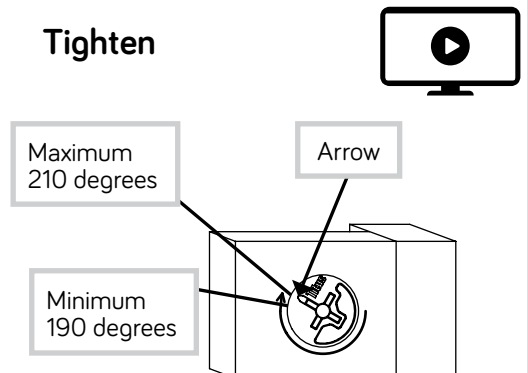
⚠ Caution

Risk of damage or injury. HIDDEN CAMS must be completely tightened. HIDDEN CAMS that are not completely tightened may loosen, and parts may separate. To completely tighten:

Start

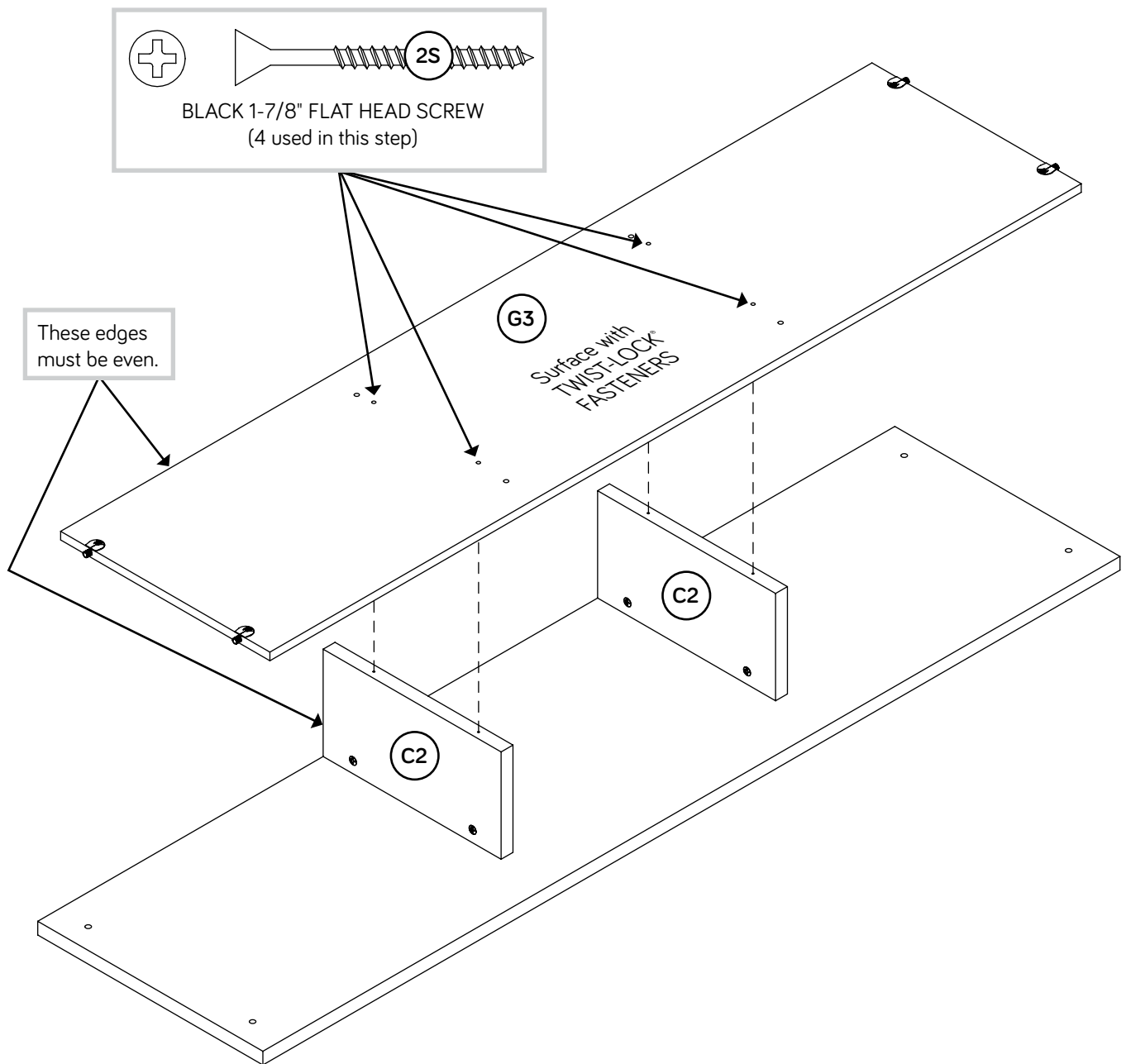


Tighten



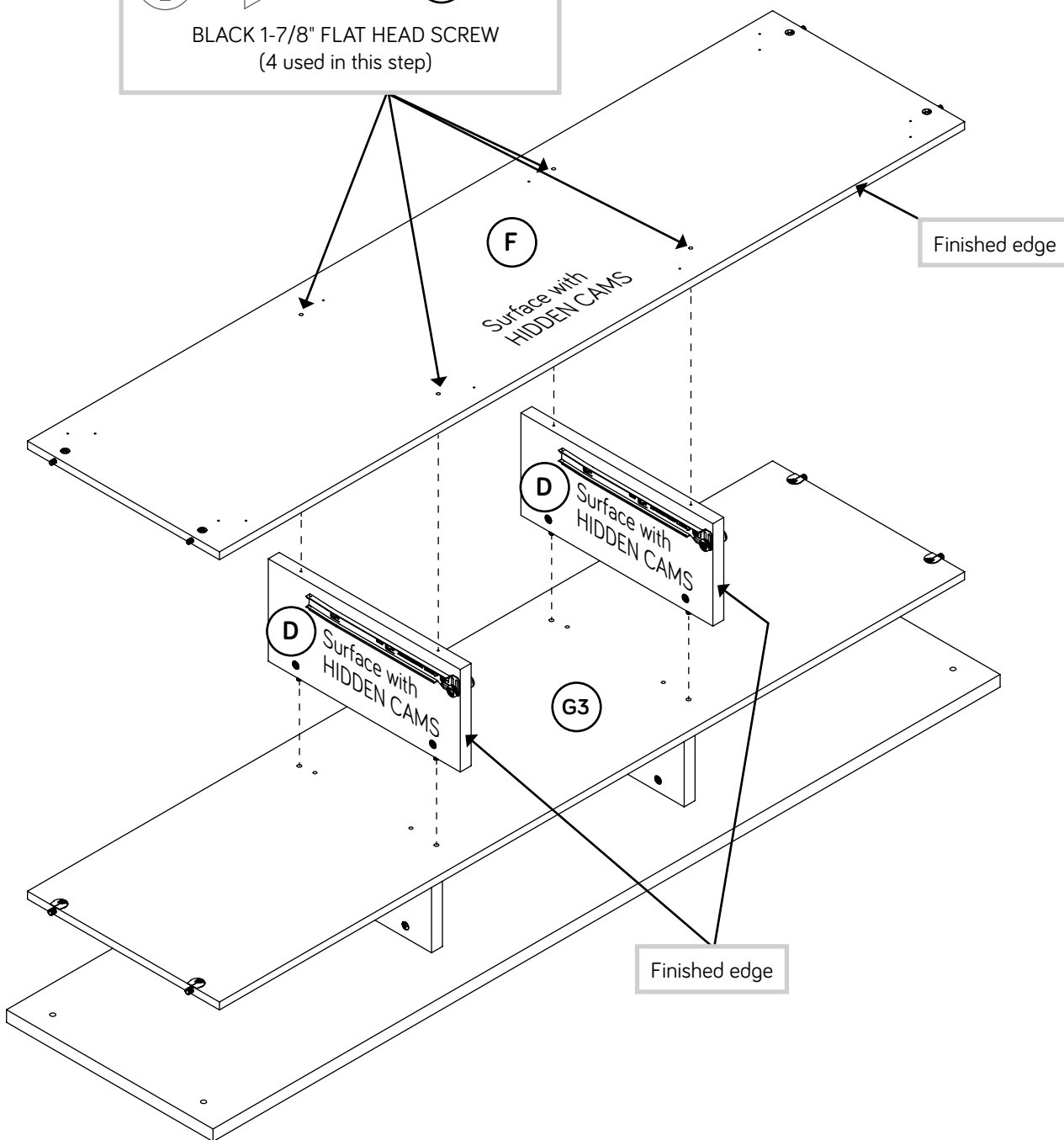
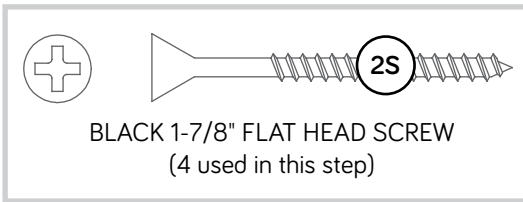
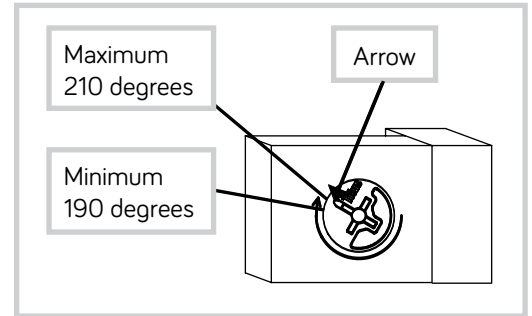
Step 6

- Fasten the SHELF (G3) to the UPRIGHTS (C2). Use four BLACK 1-7/8" FLAT HEAD SCREWS (2S).



Step 7

- Fasten the LOWER UPRIGHTS (D) to the SHELF (G3).
Tighten four HIDDEN CAMS.
- Fasten the BOTTOM (F) to the LOWER UPRIGHTS (D).
Use four BLACK 1-7/8" FLAT HEAD SCREWS (2S).



Step 8

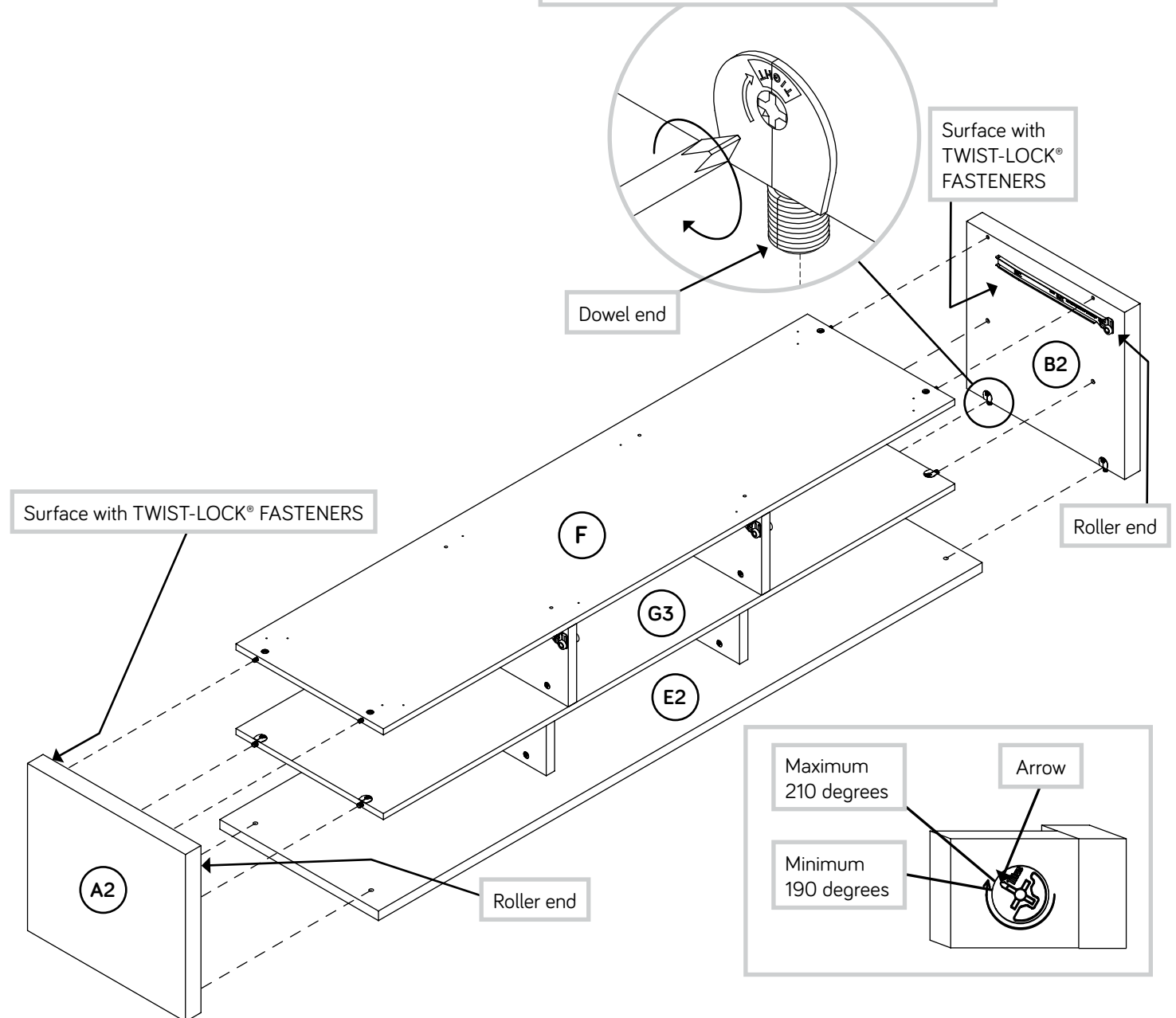
- Fasten the ENDS (A2 and B2) to the TOP (E2), BOTTOM (F), and SHELF (G3). Tighten eight TWIST-LOCK® FASTENERS and four HIDDEN CAMS.

How to use the SAUDER TWIST-LOCK® FASTENER

1. Insert the dowel end of the FASTENER into the hole of the adjoining part.

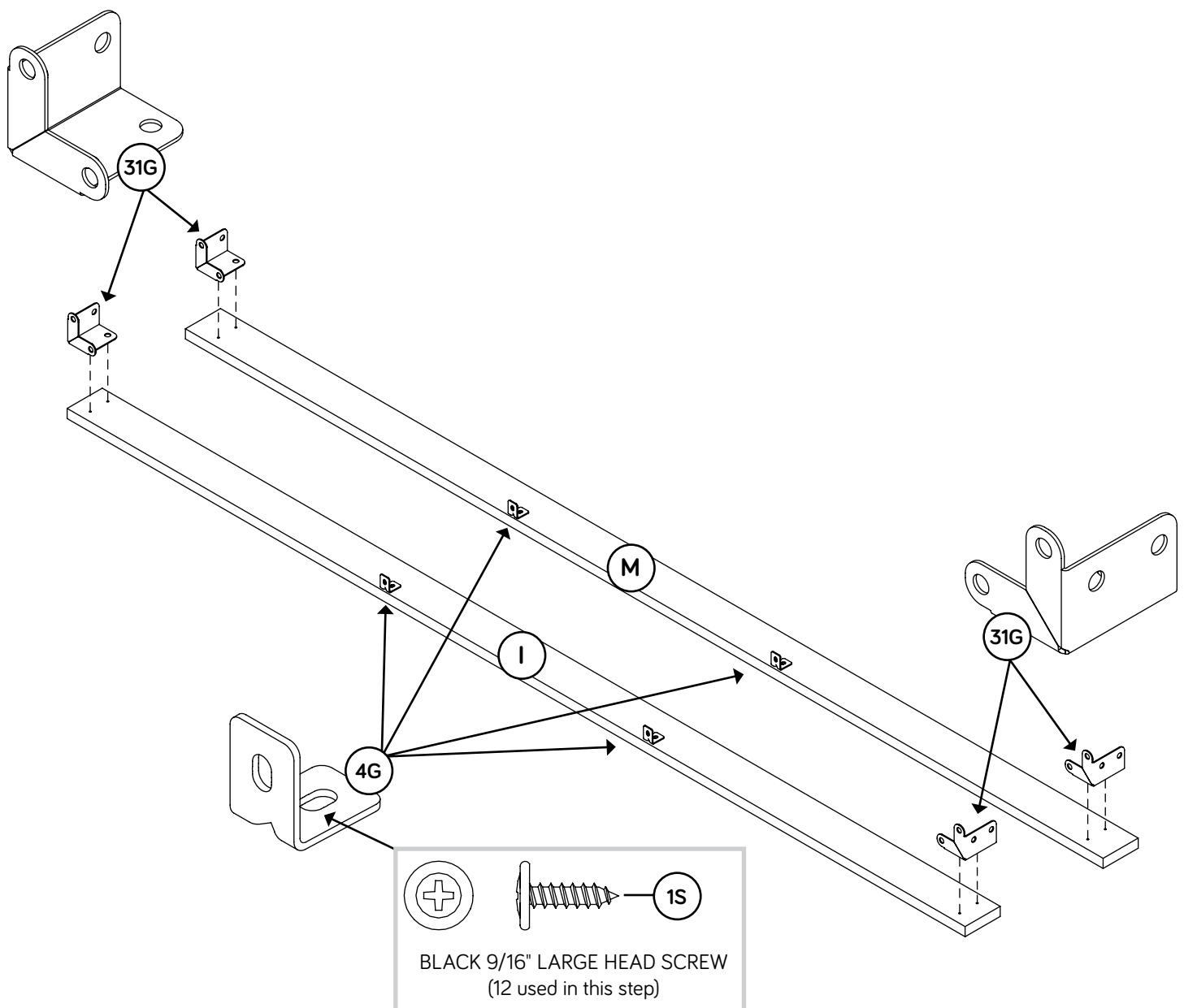
NOTE: The dowel end of the FASTENER must remain fully inserted in the hole of the adjoining part while locking the FASTENER.

2. Tighten the FASTENER with a Phillips screwdriver as tight as possible.



Step 9

- Fasten four CORNER BRACKETS (31G) to the BRACE (I) and BASE (M). Use eight BLACK 9/16" LARGE HEAD SCREWS (1S).
- Fasten four METAL BRACKETS (4G) to the BRACE (I) and BASE (M). Use four BLACK 9/16" LARGE HEAD SCREWS (1S).
- NOTE:** Be sure the BRACKETS are even with the edges of the BRACE and BASE.

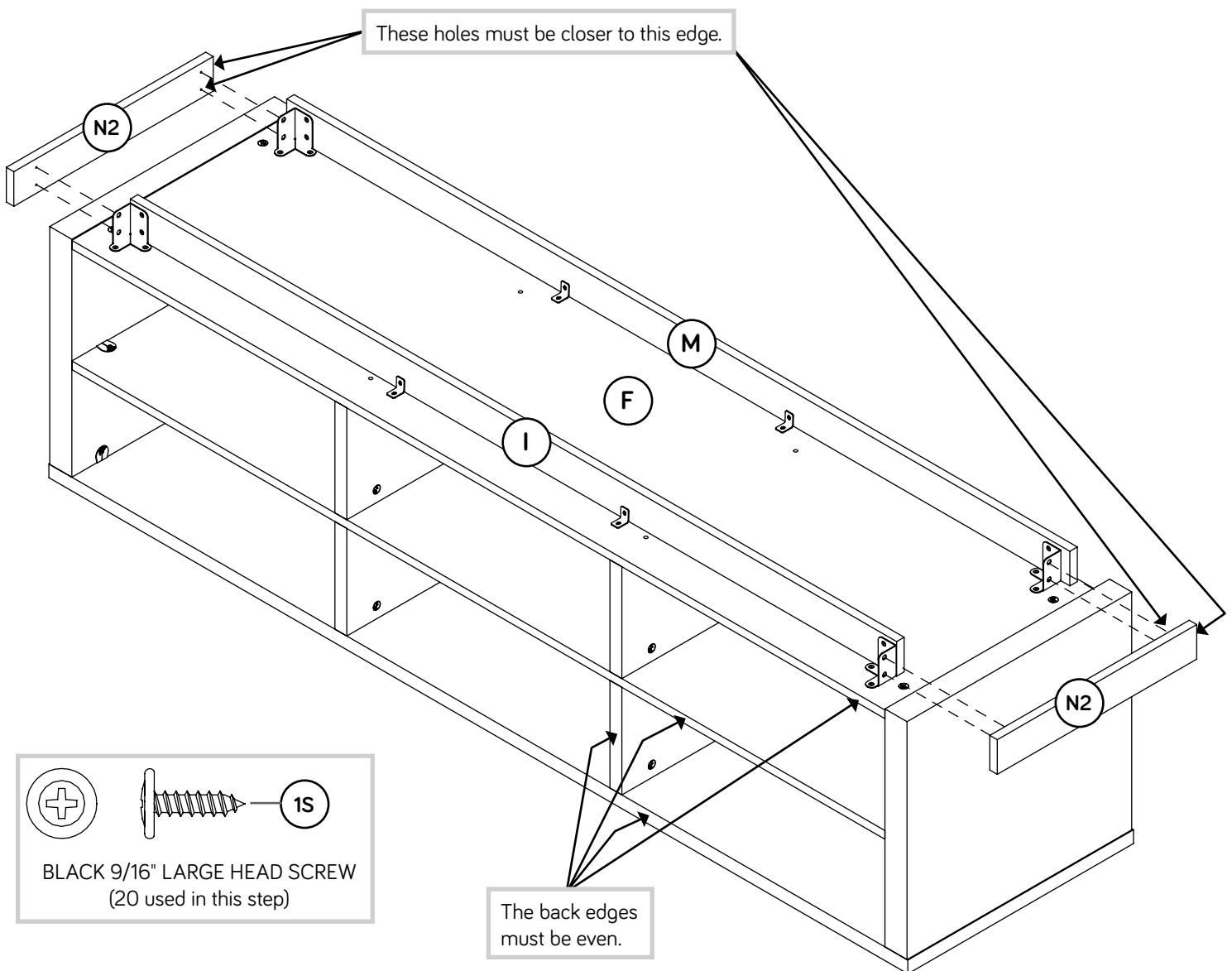


Step 10

- Fasten the BRACE (I) and BASE (M) to the BOTTOM (F). Use twelve BLACK 9/16" LARGE HEAD SCREWS (1S) through the BRACKETS on the BRACE and BASE and into the BOTTOM.
- Fasten the SIDE BASES (N2) to the CORNER BRACKETS on the BRACE (I) and BASE (M). Use eight BLACK 9/16" LARGE HEAD SCREWS (1S).



Hey! It's starting to look like something!



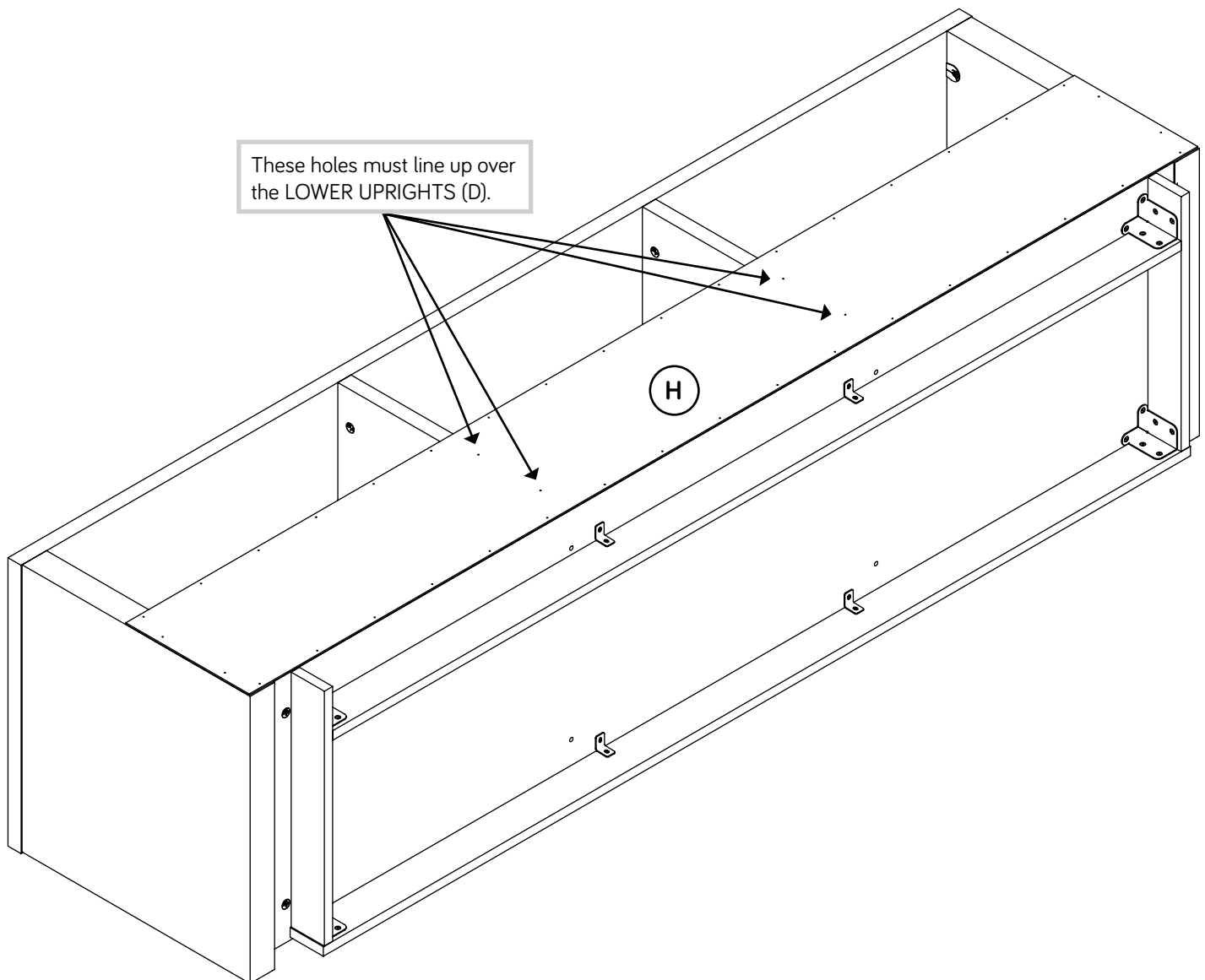
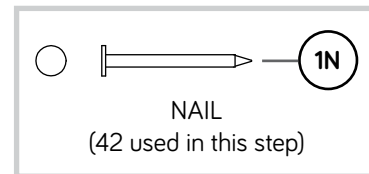
Step 11

- ✚ Carefully turn your unit over onto its front edges. Lay the BACK (H) over your unit.
- ✚ Make equal margins along all four edges of the BACK (H). Push on opposite corners of your unit if needed to make it "square".
- ✚ Fasten the BACK (H) to your unit using the NAILS (1N).
- ✚ **NOTE:** Be sure to tap NAILS into the holes that line up over the LOWER UPRIGHTS (D).



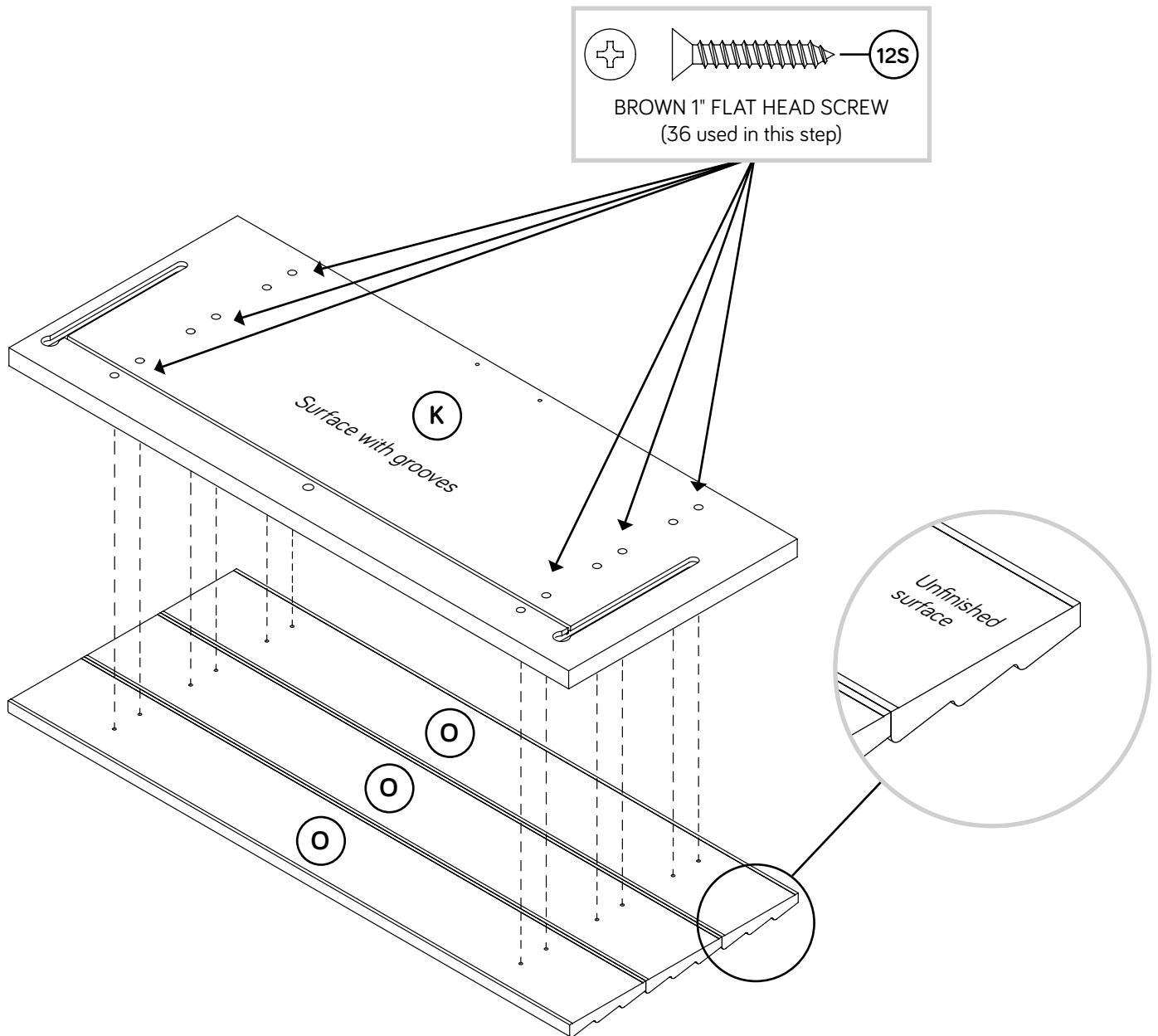
Caution

Do not stand the unit upright without the BACK fastened. The unit may collapse.



Step 12

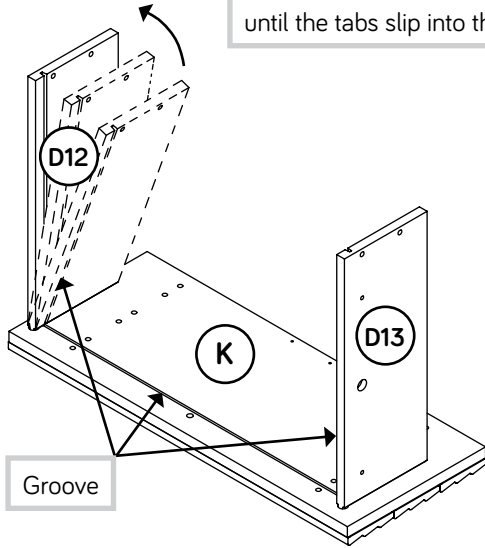
- Fasten the RIGHT DRAWER FRONT (K) to three MOLDINGS (O). Use twelve BROWN 1" FLAT HEAD SCREWS (12S).
- NOTE:** Be sure to position the MOLDINGS exactly as shown in the enlarged diagram.
- Repeat this step for the other DRAWER FRONTS (J and L).



Step 13

1

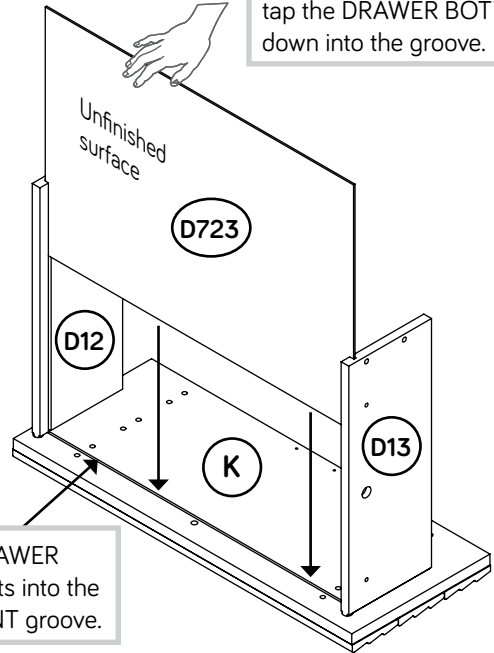
The tabs should insert freely into the slots. Gently tilt the DRAWER SIDES side to side until the tabs slip into the slots.



Insert the DRAWER SIDES (D12 and D13) at an angle into the slot at each end of the DRAWER FRONT (K).

2

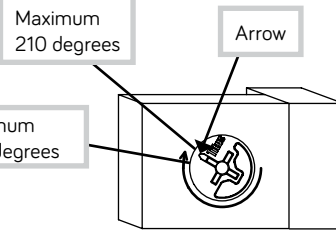
With the palm of your hand, tap the DRAWER BOTTOM down into the groove.



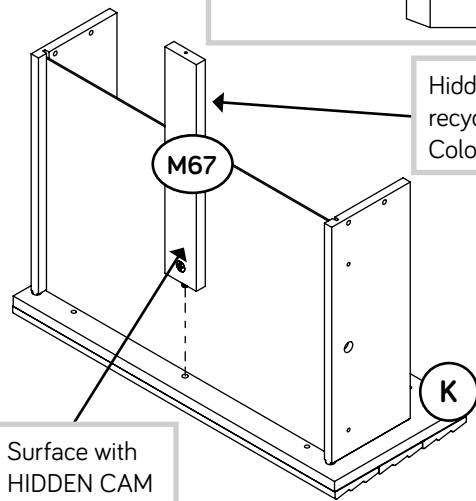
Be sure the DRAWER BOTTOM inserts into the DRAWER FRONT groove.

Slide the DRAWER BOTTOM (D723) into the grooves in the DRAWER SIDES (D12 and D13) and DRAWER FRONT (K).

3



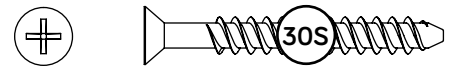
Hidden part using recycled material. Color may vary.



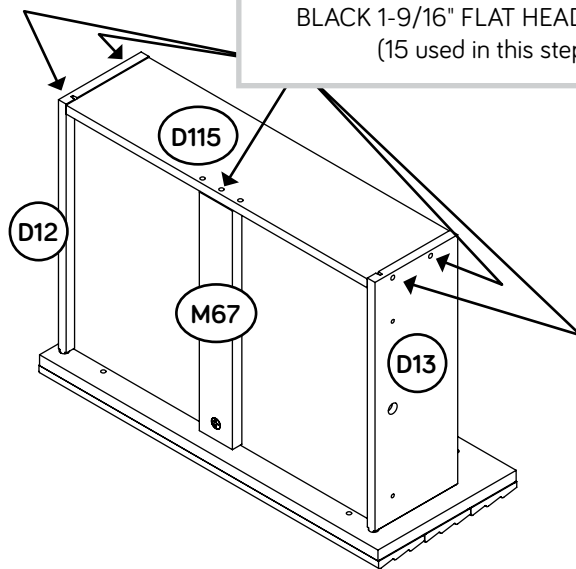
Fasten the DRAWER BRACE (M67) to the DRAWER FRONT (K). Tighten one HIDDEN CAM.

4

Start each screw a few turns before completely tightening any of them.



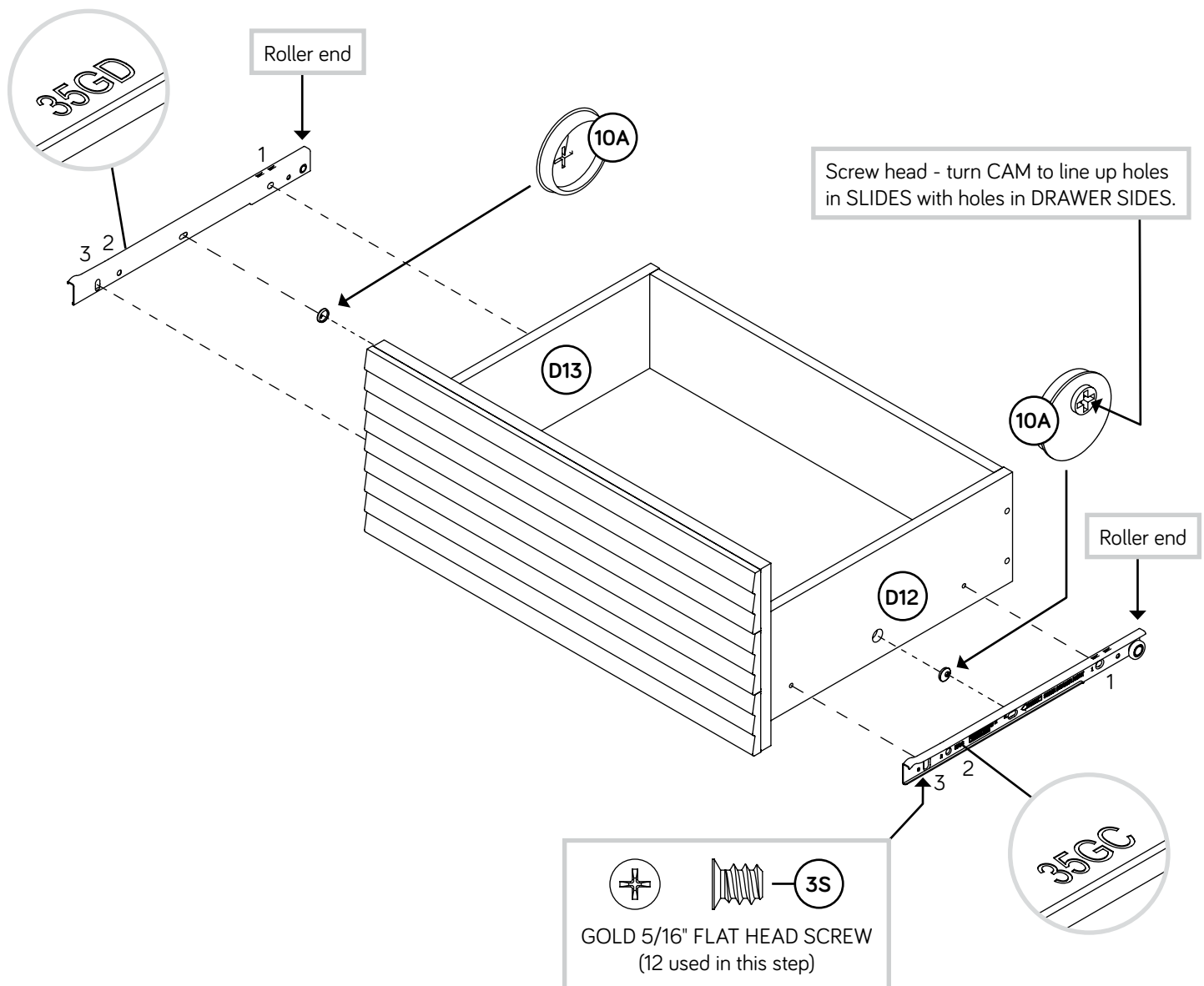
BLACK 1-9/16" FLAT HEAD SCREW (15 used in this step)



Fasten the DRAWER BACK (D115) to the DRAWER SIDES (D12 and D13) and DRAWER BRACE (M67). Use five BLACK 1-9/16" FLAT HEAD SCREWS (30S). Repeat this step for the other DRAWERS (J and L).

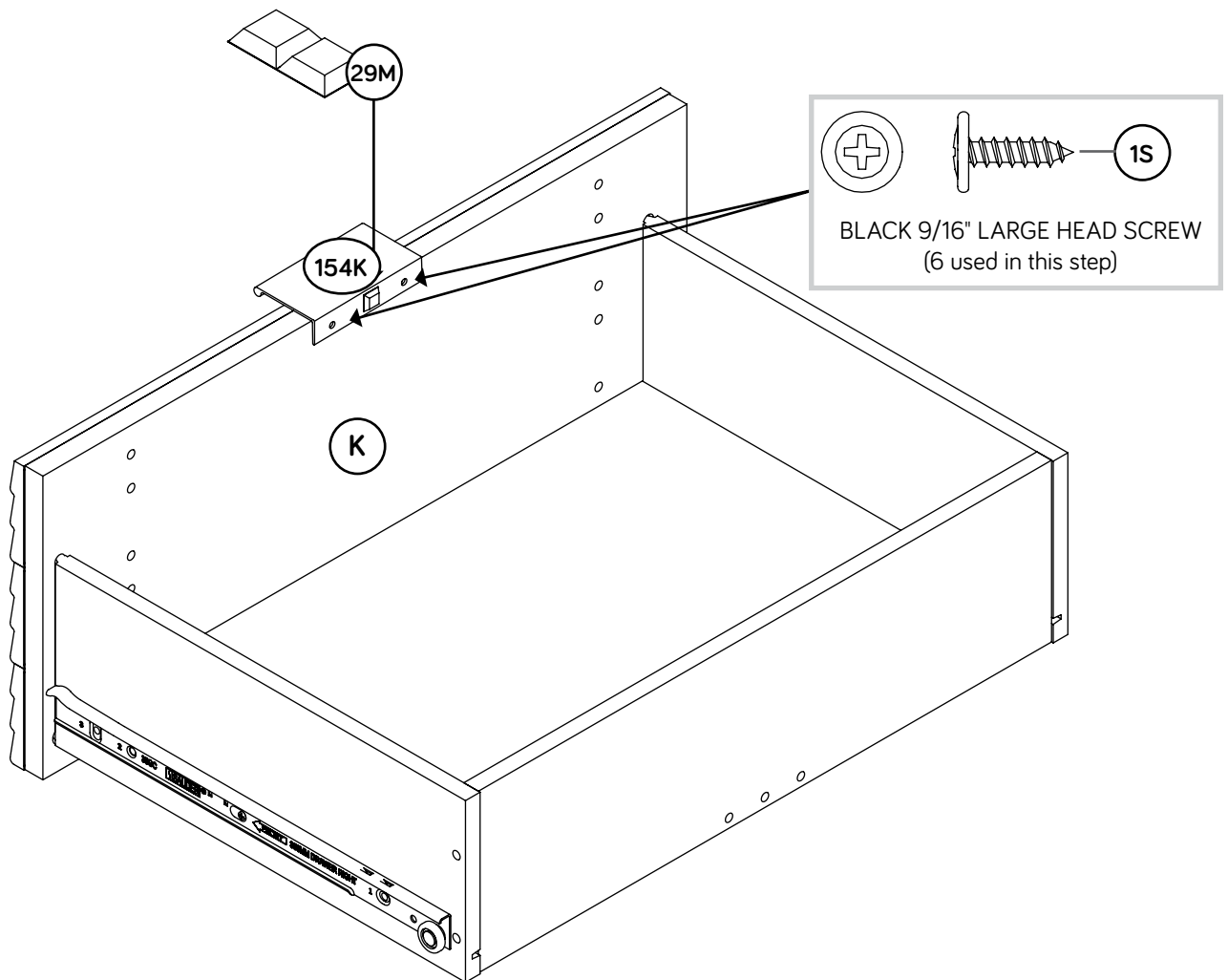
Step 14

- ✚ Insert a SLIDE CAM (10A) into the DRAWER SIDES (D12 and D13).
- ✚ Fasten a DRAWER RIGHT (35GC) to the RIGHT DRAWER SIDE (D12) and a DRAWER LEFT (35GD) to the LEFT DRAWER SIDE (D13). Use four GOLD 5/16" FLAT HEAD SCREWS (3S) through holes #1 and #3.
- ✚ **NOTE:** The screw head in the CAM must be visible through the slotted hole in the SLIDE.
- ✚ Repeat this step for the other drawers.



Step 15

- Fasten a PULL (154K) to the RIGHT DRAWER FRONT (K).
Use two BLACK 9/16" LARGE HEAD SCREWS (1S).
- Peel a BUMPER from the BUMPER CARD (29M) and stick it on the PULL (154K) as shown.
- Repeat this step for the other drawers.



Step 16

- ✚ Carefully stand your unit upright.
- ✚ To insert the drawer into your unit, tip the front of the drawer down and drop the rollers on the drawer behind the rollers on the unit. Lift the front of the drawer up and slide it into the unit.
- ✚ Push a CAM COVER (13P) onto each visible HIDDEN CAM in the UPRIGHTS (C2).
- ✚ Apply the WARNING LABEL (3L) to the TOP (E2). You should be able to read the label when the TV is removed from the unit. When the TV is in place, it should hide the label. Peel off the backing and apply the label as shown in the diagram.
- ✚ **NOTE:** This is a permanent label intended to last for the life of the product. Once applied, do not try to remove it.

⚠ WARNING

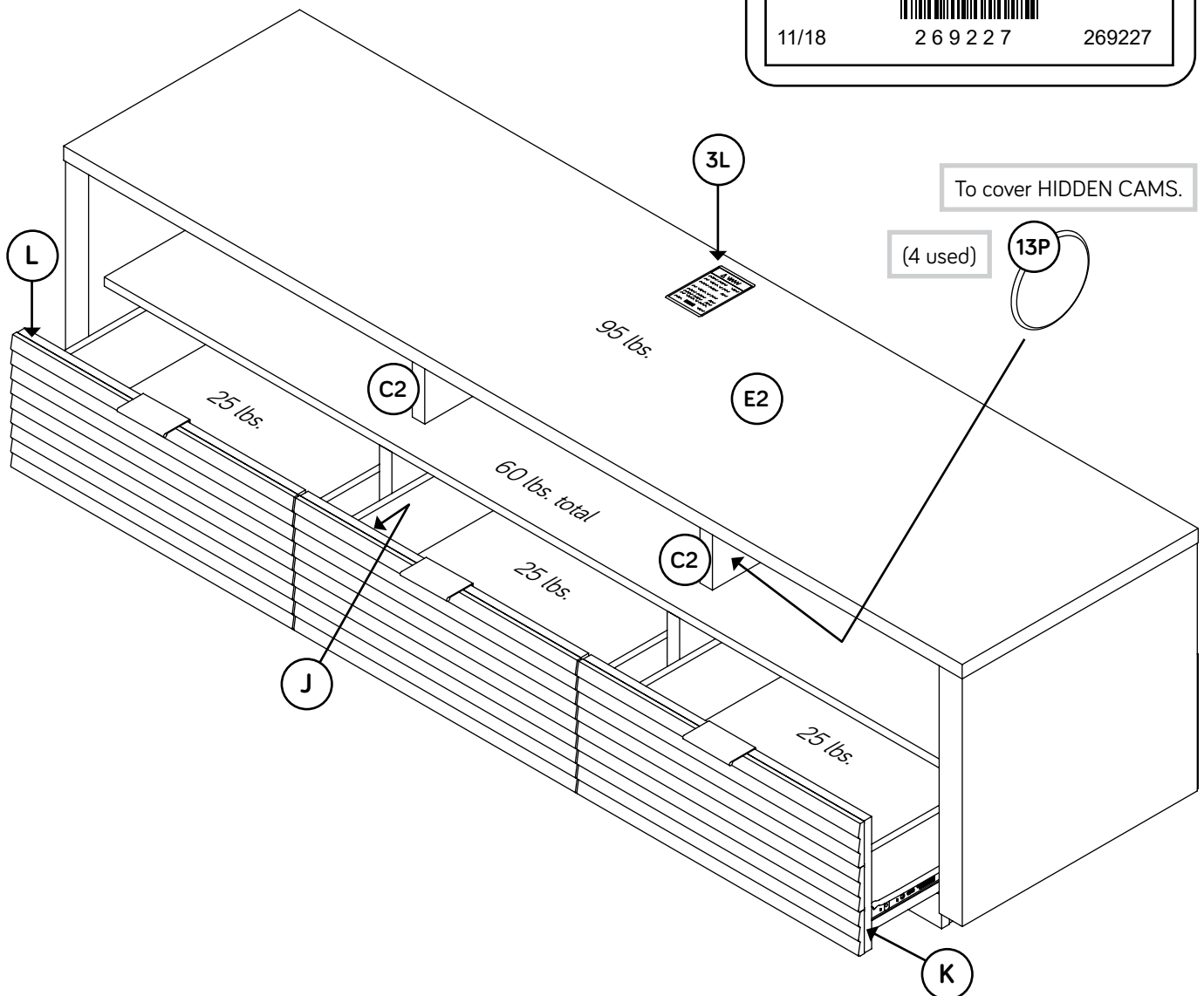
For use with televisions weighing 95 lbs. (43 kg) or less. Use with heavier televisions may result in instability causing tip over resulting in death or serious injury.

-Never allow children to climb on audio/video furniture.

Refer to instruction book for complete safety information.

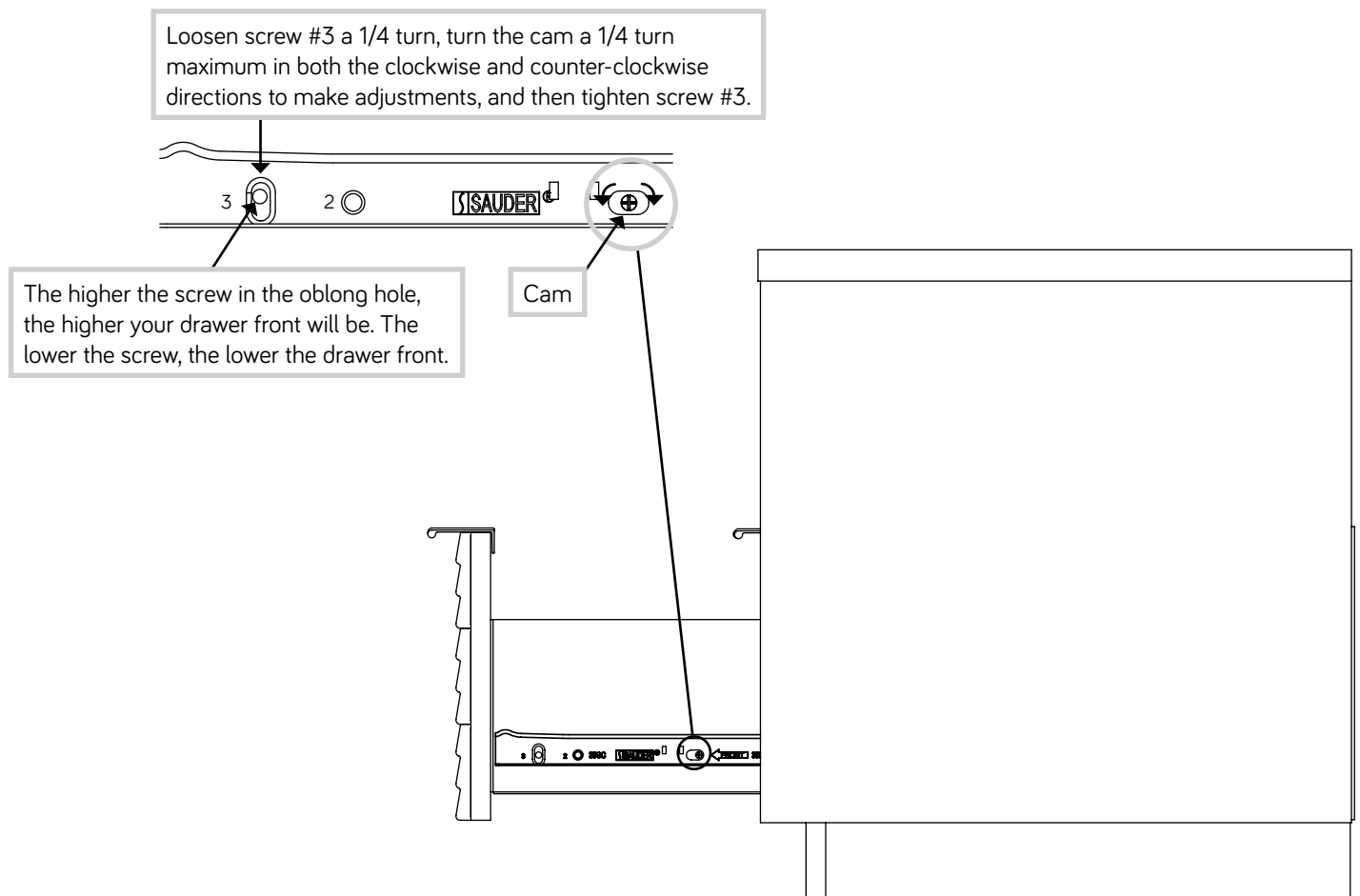
Note: This is a permanent label. Do not try to remove. Surface will be damaged.

11/18 2 6 9 2 2 7 269227



Step 17

- To make adjustments to the drawers, loosen SCREW #3 in the SLIDES a 1/4 turn, then turn the CAM clockwise or counter-clockwise. Notice how the drawer raises or lowers as you turn the CAM. The higher the screw in the oblong hole, the higher your drawer front will be. The lower the screw, the lower the drawer front. By adjusting the drawers this way, it will help the DRAWER FRONTS line up better when closed. Tighten the SCREW when finished with adjustments.
- NOTE:** Please read the back pages of the instruction booklet for important safety information.
- This completes assembly. Clean with a damp cloth. Wipe dry.



⚠ WARNING

Please use your furniture correctly and safely. Improper use can cause safety hazards, or damage to your furniture or household items. Carefully read the following safety information.

Death or serious injury may occur when children climb on audio and/or video equipment furniture. A remote control or toys placed on the furnishing may encourage a child to climb on the furnishing and as a result may tip over onto the child.

NEVER allow children to climb or play with the TV or furnishing supporting the TV.

NEVER place toys, food, remote, etc. on top of the TV or TV furnishing.

ALWAYS use either the safety hardware as instructed or other wall anchoring device.

Relocating audio and/or video equipment to furniture not specifically designed to support audio and/or video equipment may result in death or serious injury due to furniture collapse or over turning onto a child.

NEVER place a TV on furniture that is not intended to support a TV.

NEVER exceed the maximum size and weight of the TV shown in the instructions.

Be sure to apply the TV warning label as shown in the instructions.

Overloading drawers and shelves may result in furniture that can break or sag, or tip-over which may result in injury.

NEVER exceed the weight limits shown in the instructions.

Place the heavier items on lower shelves as far back from the front as possible.

Load the bottom surfaces first to avoid top-heavy furniture.

Moving furniture that is not designed to be moved or equipped with casters may result in injury or damage to furnishings or personal property.

ALWAYS unload shelves and drawers, starting with the top surfaces, before moving.

NEVER push or pull furniture on carpet. Have a friend help lift properly to move and/or reposition it.