

Get your gear a
mobile home.

Craft Cart

Craft Collection | Model 5417047

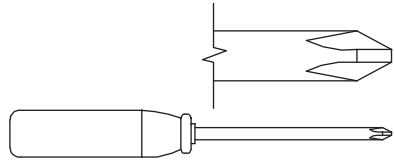
NOTE: THIS INSTRUCTION BOOKLET CONTAINS **IMPORTANT** SAFETY INFORMATION.

PLEASE READ AND KEEP FOR FUTURE REFERENCE.

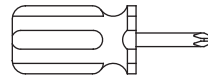
Table of Contents

Assembly Tools Required

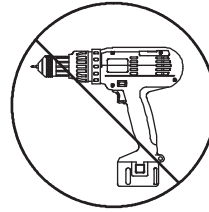
Part Identification	3
Hardware Identification	4
Assembly Steps	5-29
Français	30-33
Español	34-37
Safety	38
Warranty	39



No. 2 Phillips Screwdriver
Tip Shown Actual Size



Short Screwdriver



Skip the power trip.
This time.

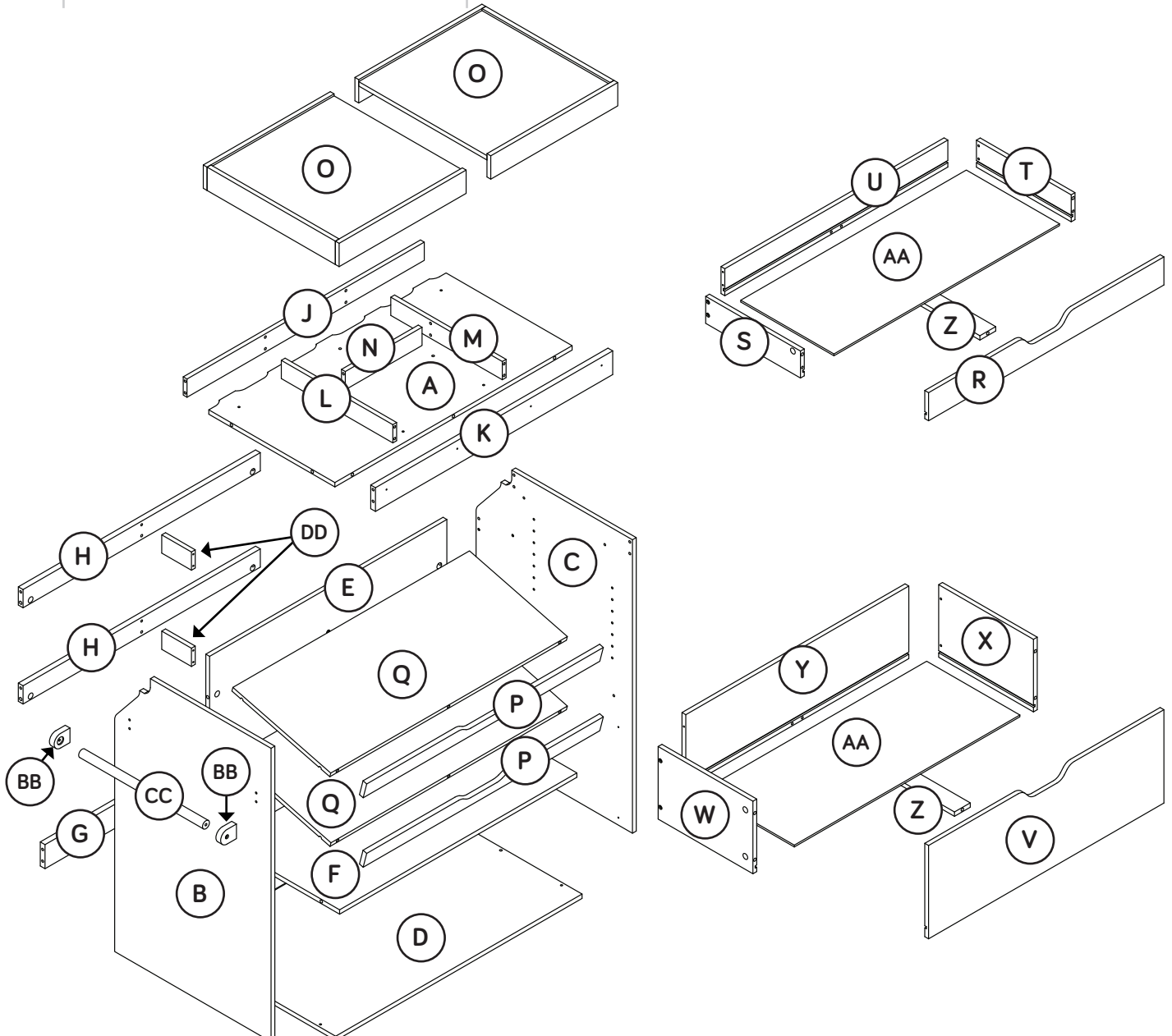
Part Identification

Now you know
our ABCs.



† While not all parts are labeled, some of the parts will have a label or an inked letter on the edge to help distinguish similar parts from each other. Use this part identification to help identify similar parts.

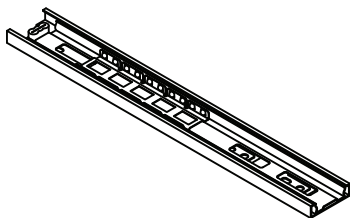
A	TRAY BOTTOM (1)	L	LEFT TRAY UPRIGHT (1)	V	LARGE DRAWER FRONT (1)
B	LEFT END (1)	M	RIGHT TRAY UPRIGHT (1)	W	LARGE LEFT DRAWER SIDE (1)
C	RIGHT END (1)	N	TRAY DIVIDER (1)	X	LARGE RIGHT DRAWER SIDE (1)
D	BOTTOM (1)	O	SLIDING TOP (2)	Y	LARGE DRAWER BACK (1)
E	BACK (1)	P	ADJUSTABLE SHELF FRONT (2)	Z	DRAWER BRACE (2)
F	SHELF (1)	Q	ADJUSTABLE SHELF (2)	AA	DRAWER BOTTOM (2)
G	LOWER BACK RAIL (1)	R	SMALL DRAWER FRONT (1)	BB	ROD CAP (2)
H	UPPER BACK RAIL (2)	S	SMALL LEFT DRAWER SIDE (1)	CC	ROD (1)
J	TRAY BACK (1)	T	SMALL RIGHT DRAWER SIDE (1)	DD	BACK DIVIDER (2)
K	TRAY FRONT (1)	U	SMALL DRAWER BACK (1)		



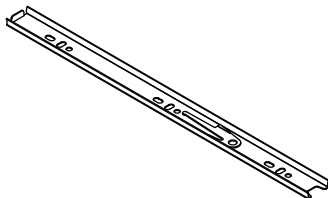
Hardware Identification

† Screws are shown actual size. You may receive extra hardware with your unit.
(EXTENSION SET SHOWN SEPARATED)

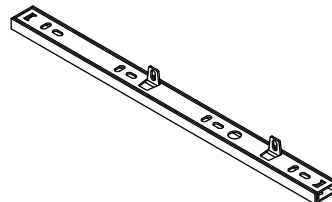
1 EXTENSION RAIL - 4



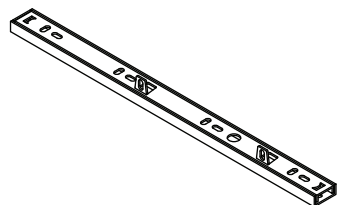
2 EXTENSION SLIDE - 4



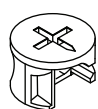
3 LEFT DRAWER SLIDE - 2



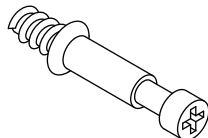
4 RIGHT DRAWER SLIDE - 2



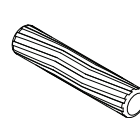
5 HIDDEN CAM - 35



6 CAM SCREW - 35



7 WOOD DOWEL - 40



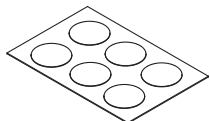
8 METAL PIN - 8



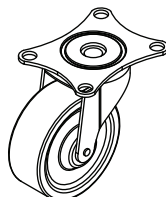
9 CLAMP - 4



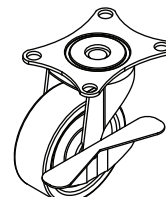
10 APPLIQUE CARD - 5



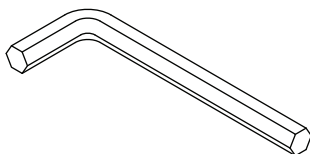
11 CASTER - 2



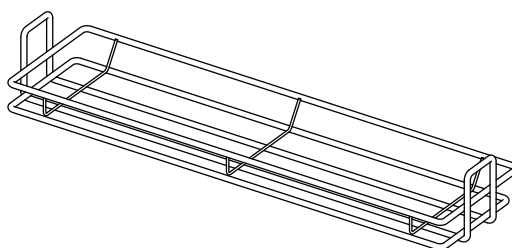
12 LOCKING CASTER - 2



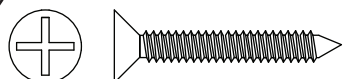
13 L-WRENCH - 1



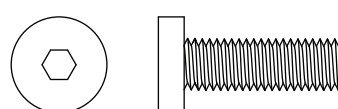
14 WIRE TRAY - 2



15 SILVER 1-3/16" FLAT HEAD SCREW - 30



16 SILVER 13/16" HEX HEAD SCREW - 2



17 SILVER 1/2" PAN HEAD SCREW - 16



18 SILVER 1/2" FLAT HEAD SCREW - 32

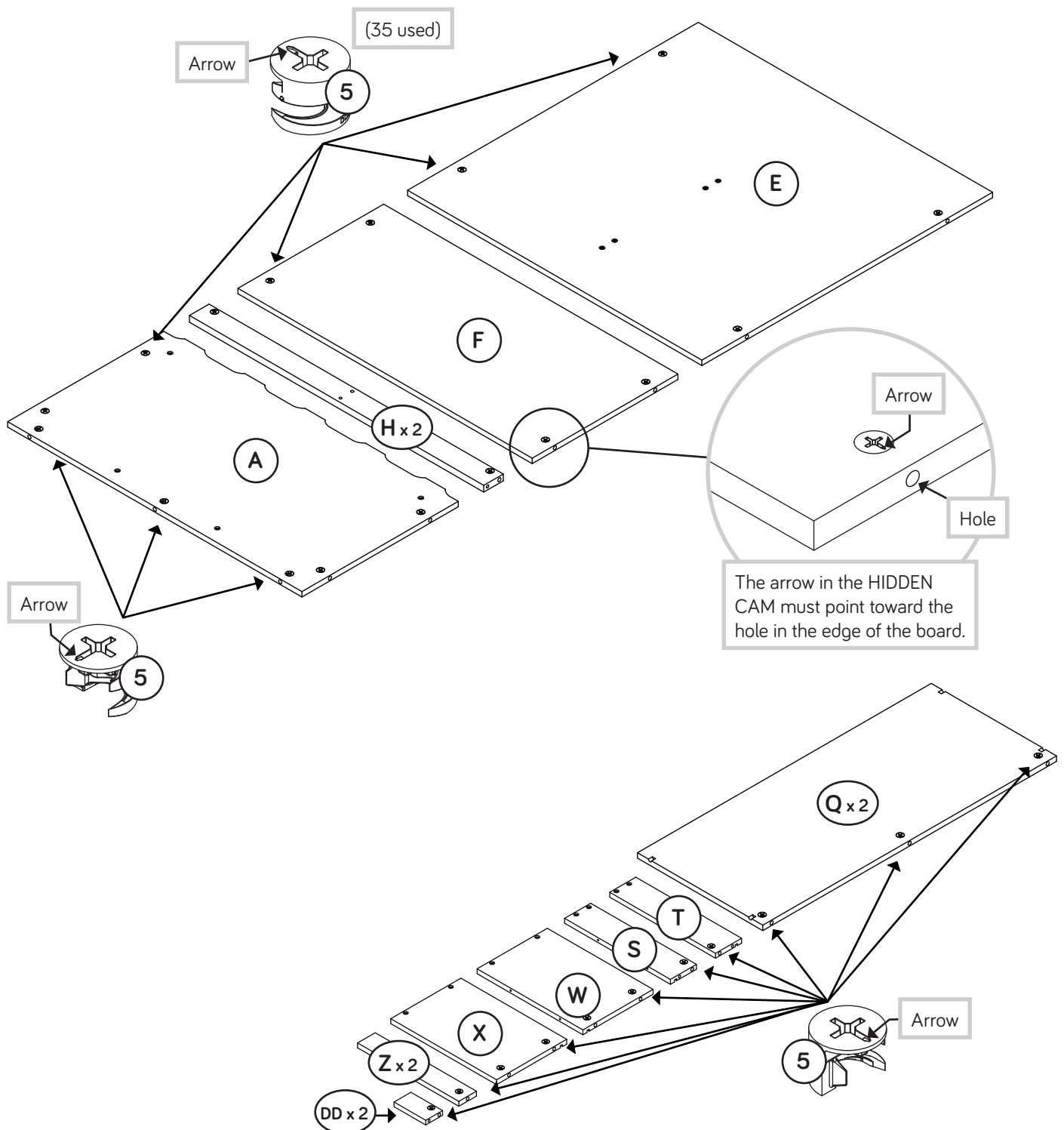


19 SMALL SILVER 1/2" PAN HEAD SCREW - 8



Step 1

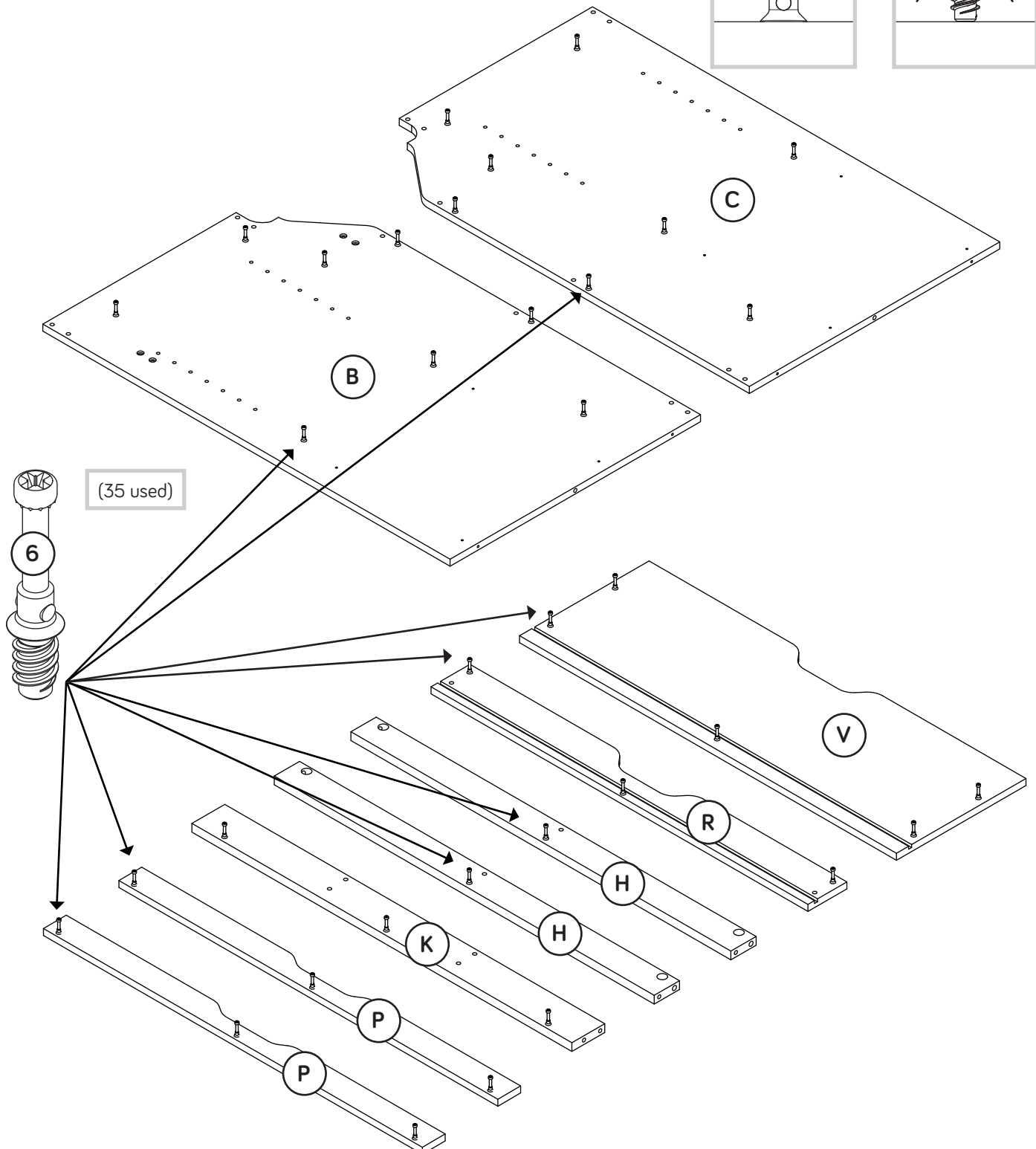
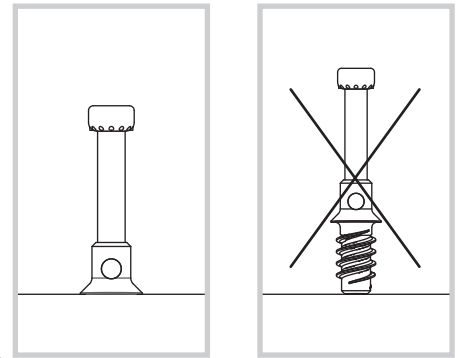
- ✚ Assemble your unit on a carpeted floor or on the empty carton to avoid scratching your unit or the floor.
- ✚ Push thirty-five HIDDEN CAMS (5) into the TRAY BOTTOM (A), BACK (E), SHELF (F), UPPER BACK RAILS (H), ADJUSTABLE SHELVES (Q), DRAWER SIDES (S, T, W, and X), DRAWER BRACES (Z), and BACK DIVIDERS (DD).



Step 2

- Turn thirty-five CAM SCREWS (6) into the ENDS (B and C), UPPER BACK RAILS (H), TRAY FRONT (K), ADJUSTABLE SHELF FRONT (P), SMALL DRAWER FRONT (R), and LARGE DRAWER FRONT (V).

NOTE: Use the exact holes shown.



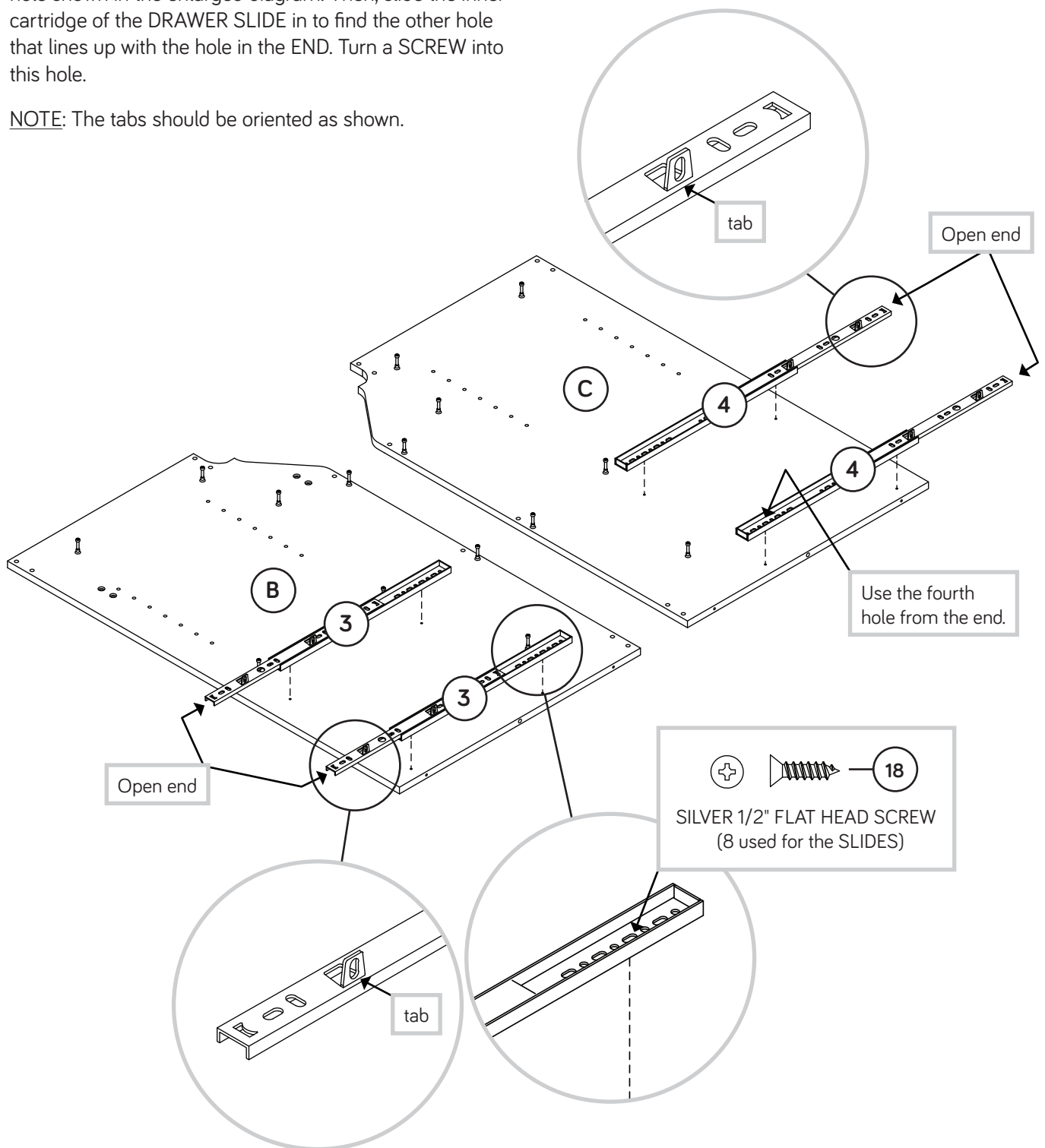
Step 3

Fasten the LEFT DRAWER SLIDES (3) to the LEFT END (B) and the RIGHT DRAWER SLIDES (4) to the RIGHT END (C). Use eight SILVER 1/2" FLAT HEAD SCREWS (18).

NOTE: For each DRAWER SLIDE, turn a SCREW into the hole shown in the enlarged diagram. Then, slide the inner cartridge of the DRAWER SLIDE in to find the other hole that lines up with the hole in the END. Turn a SCREW into this hole.

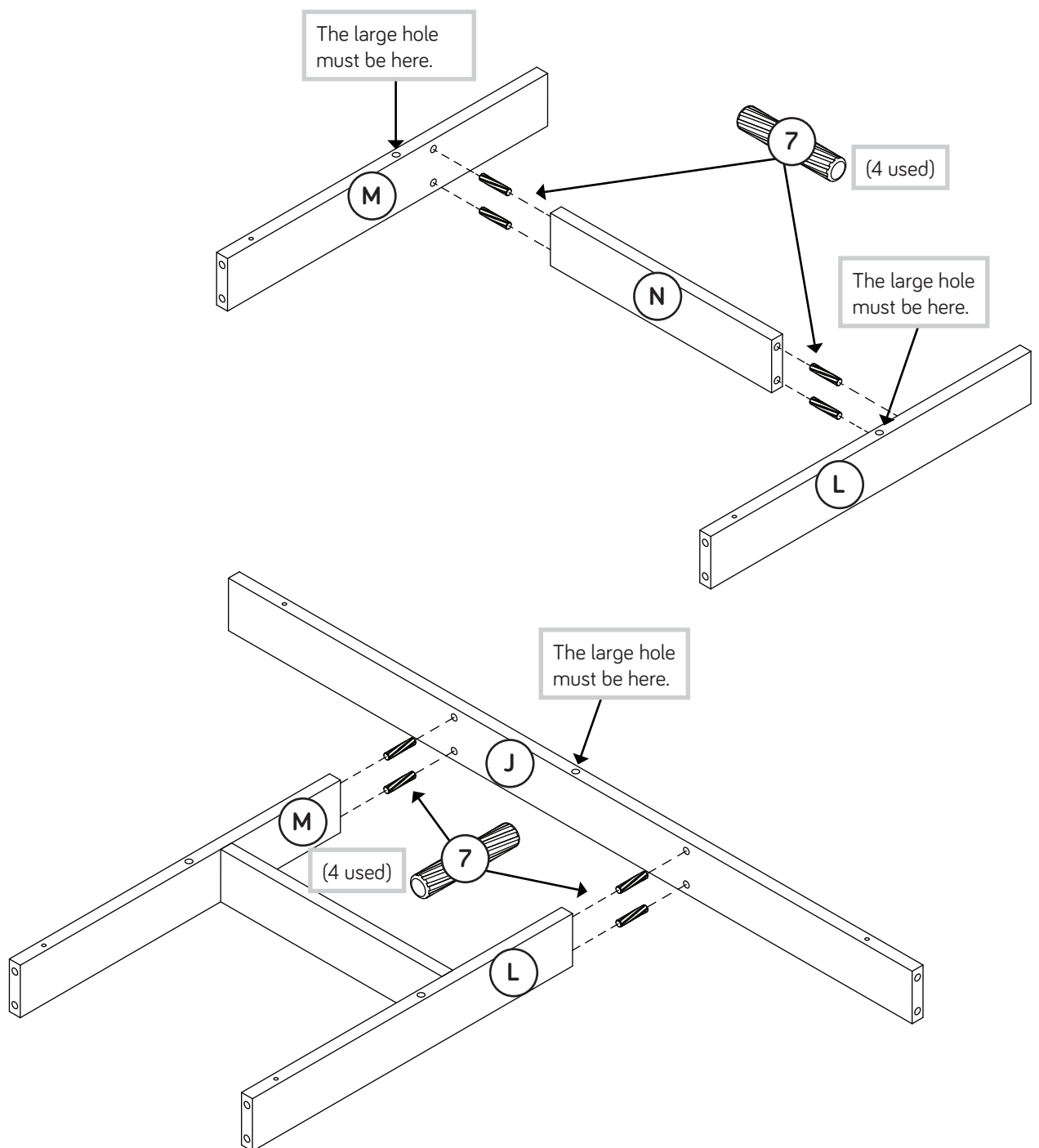
NOTE: The tabs should be oriented as shown.

 Some assembly (and snacks) required.



Step 4

- ✚ Insert four WOOD DOWELS (7) into the short edges of the TRAY DIVIDER (N) as shown in the upper diagram.
- ✚ Push the TRAY UPRIGHTS (L and M) onto the WOOD DOWELS in the TRAY DIVIDER.
- ✚ Insert four WOOD DOWELS (7) into the short edges of the TRAY UPRIGHTS (L and M) as shown in the lower diagram.
- ✚ Push the TRAY BACK (J) onto the WOOD DOWELS in the TRAY UPRIGHTS (L and M).



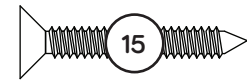
Step 5

✚ Insert three WOOD DOWELS (7) into the top edges of the TRAY BACK (J) and TRAY UPRIGHTS (L and M).

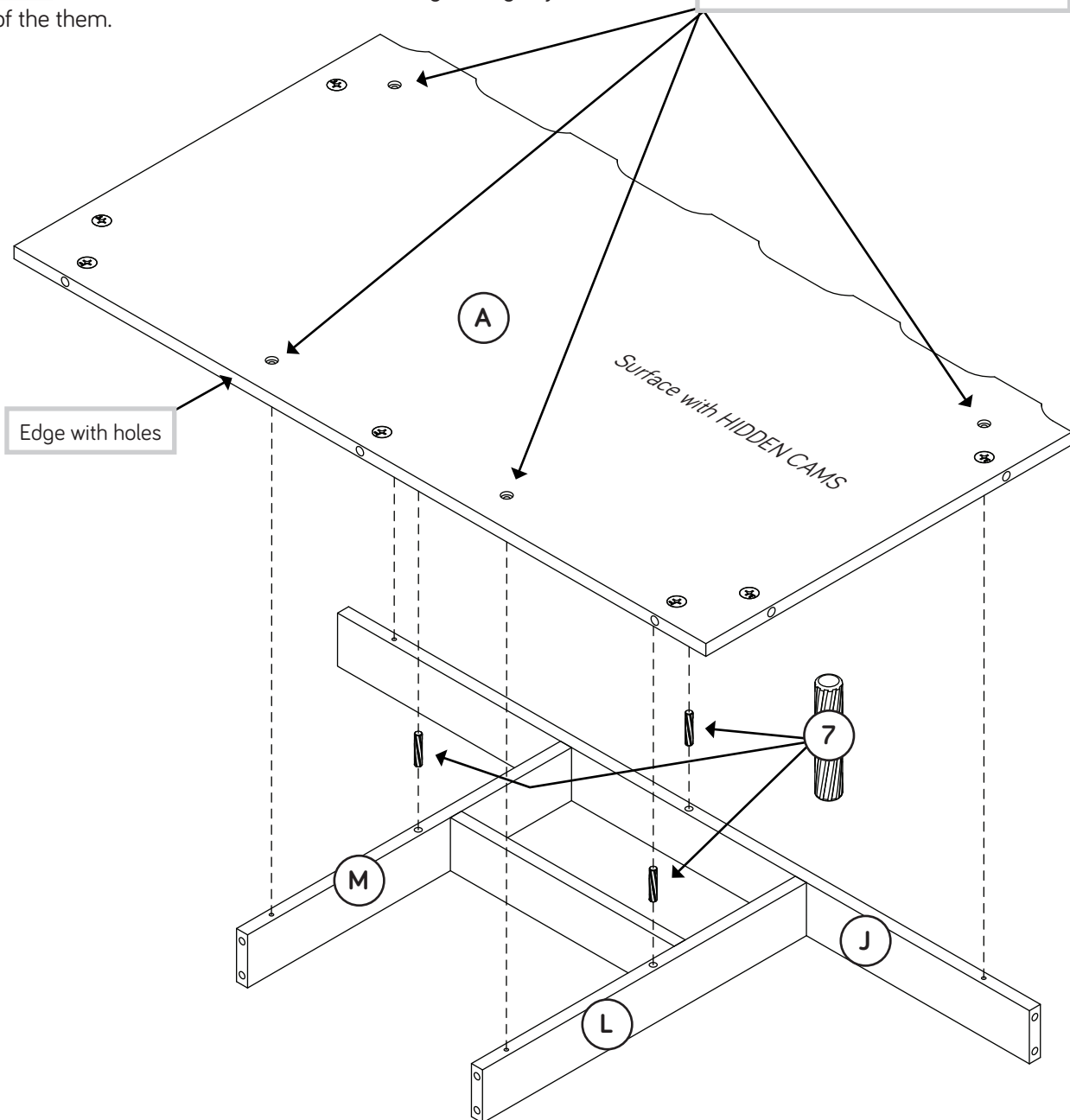
✚ Fasten the TRAY BOTTOM (A) to the TRAY BACK (J) and TRAY UPRIGHTS (L and M). Use four SILVER 1-3/16" FLAT HEAD SCREWS (15).

✚ NOTE: Be sure the WOOD DOWELS in the TRAY BACK and TRAY UPRIGHTS insert into the TRAY BOTTOM.

✚ NOTE: Start each screw a few turns before tightening any of the them.

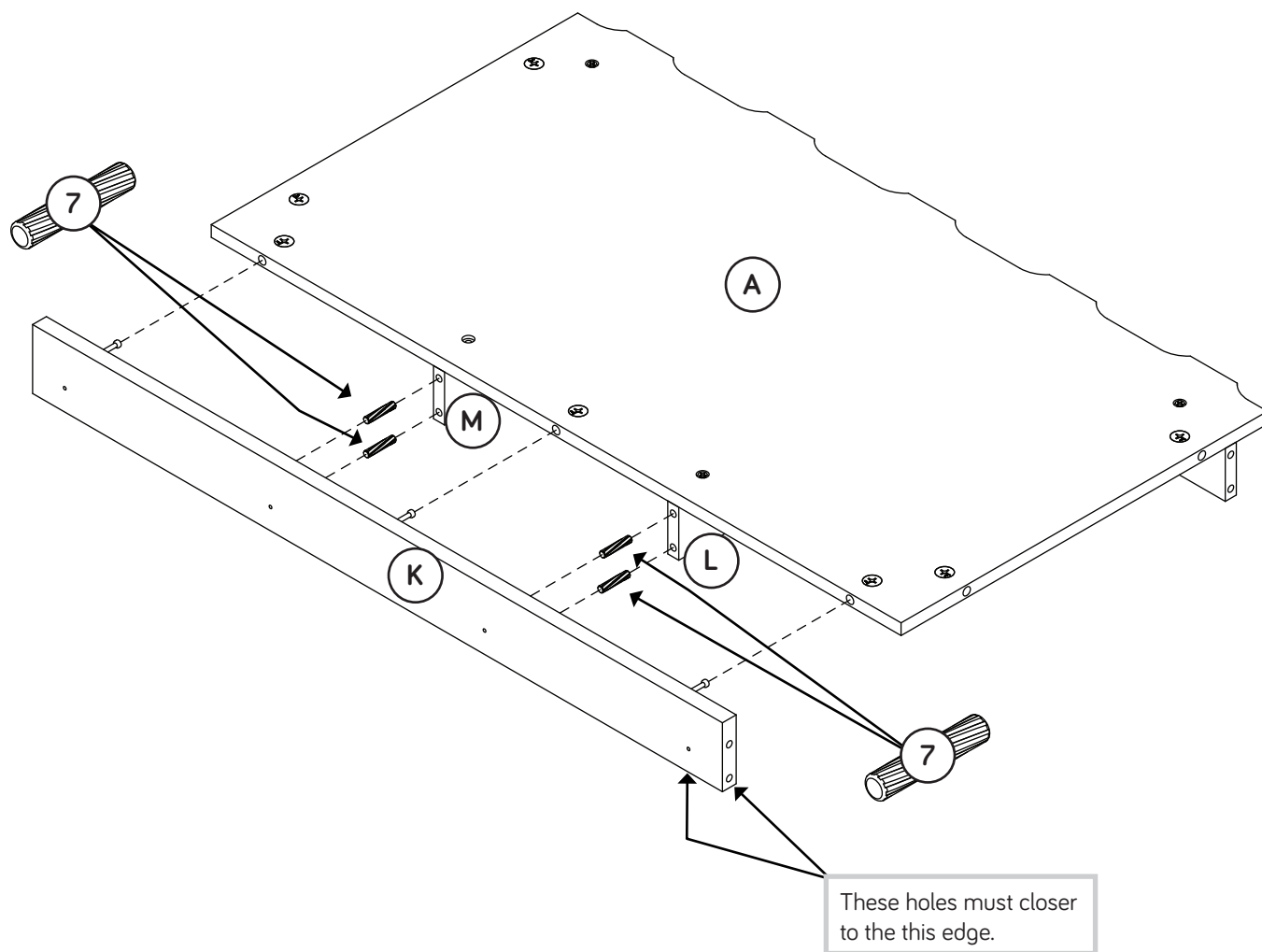
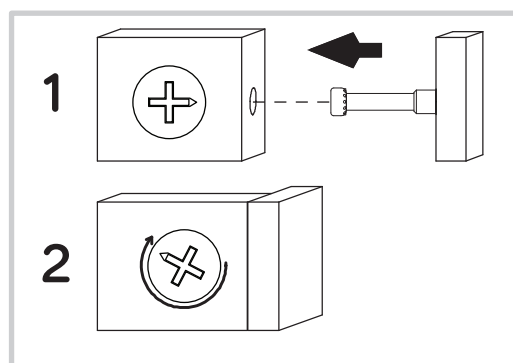


SILVER 1-3/16" FLAT HEAD SCREW
(4 used for the TRAY BOTTOM)



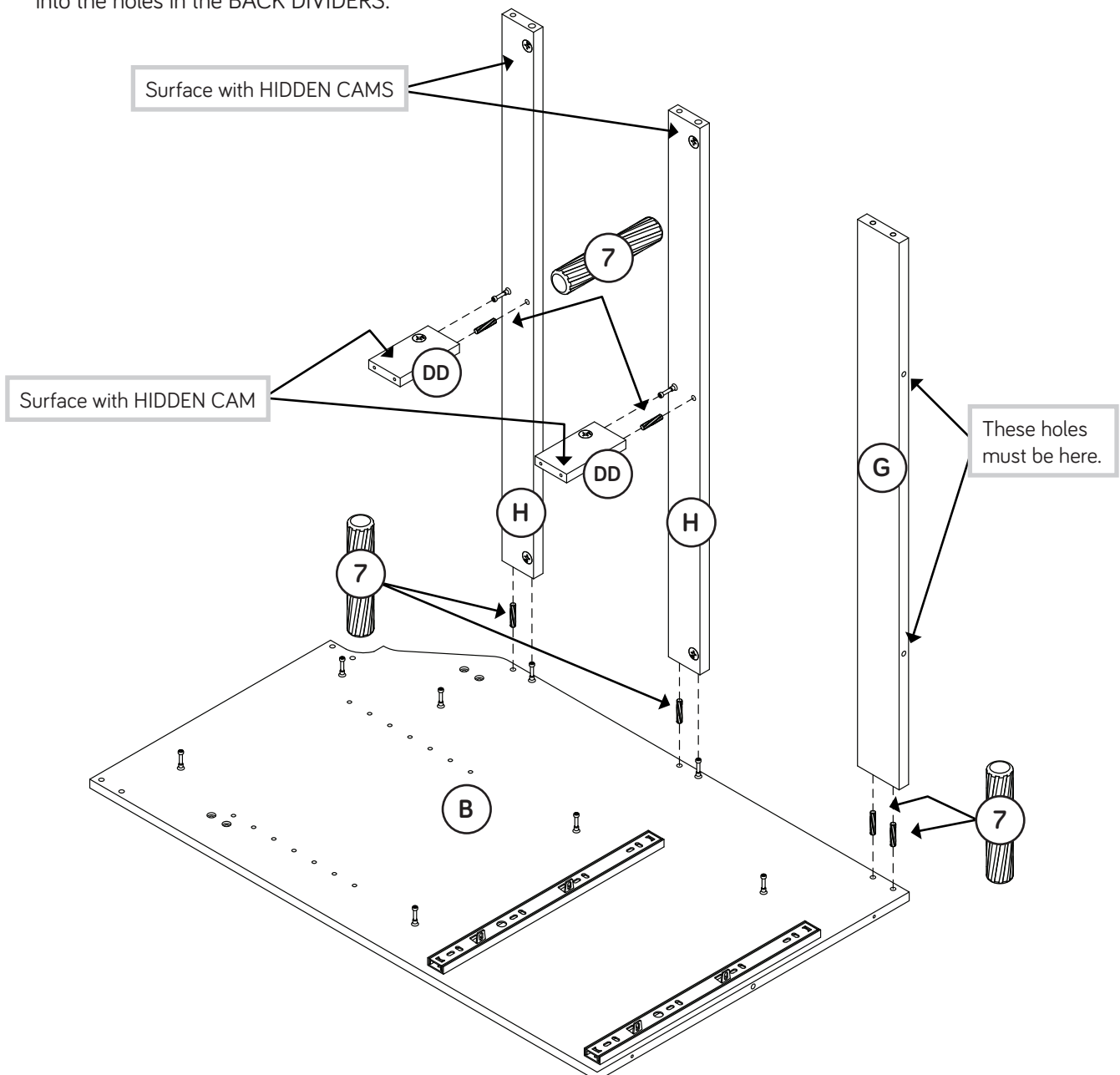
Step 6

- ✚ Insert four WOOD DOWELS (7) into the short edges of the TRAY UPRIGHTS (L and M).
- ✚ Fasten the TRAY FRONT (K) to the TRAY BOTTOM (A). Tighten three HIDDEN CAMS.
- ✚ **NOTE:** Be sure the WOOD DOWELS in the TRAY UPRIGHTS insert into the holes in the TRAY FRONT.



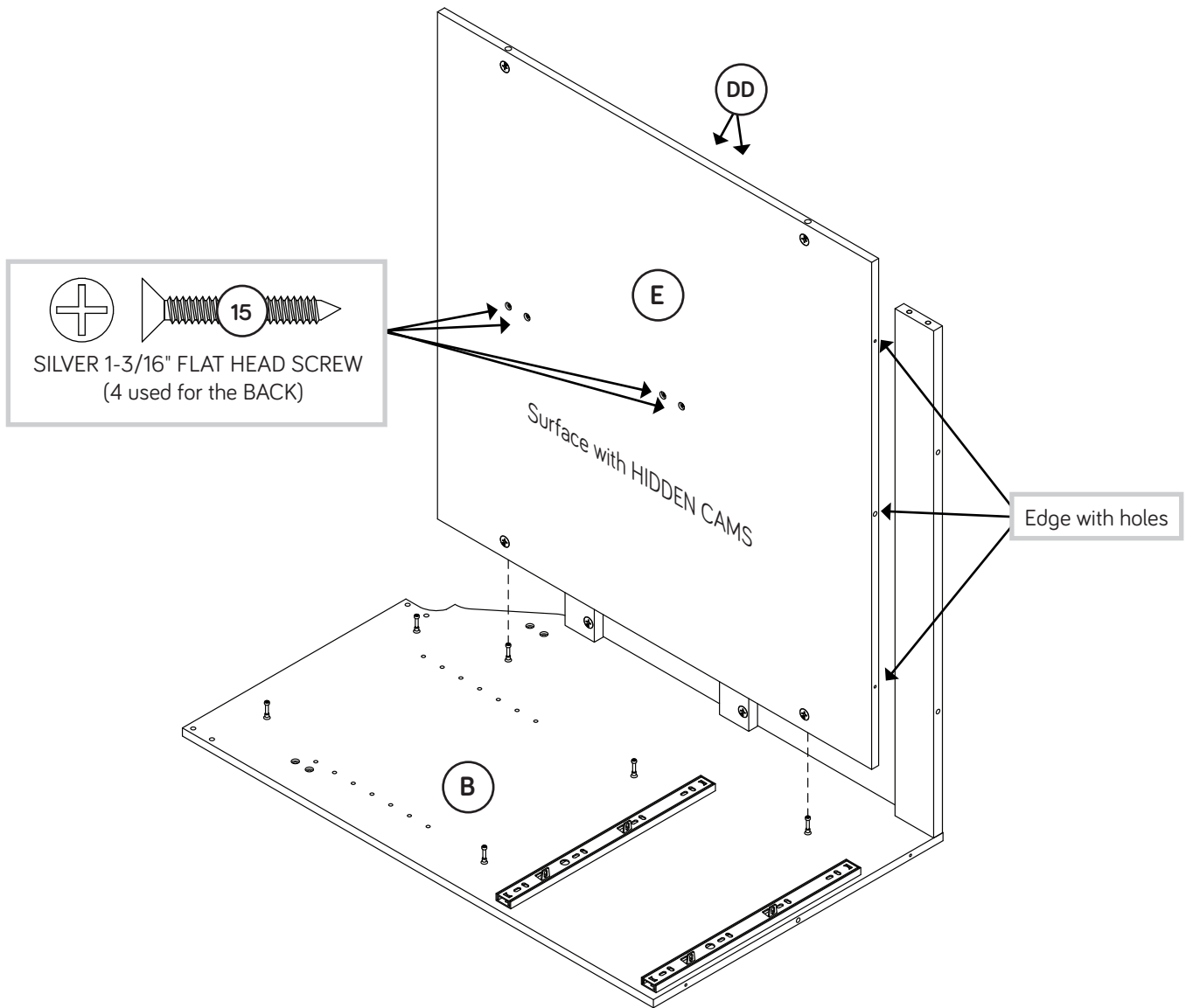
Step 7

- ✚ Insert four WOOD DOWELS (7) into the LEFT END (B).
- ✚ Push the LOWER BACK RAIL (G) onto the two WOOD DOWELS in the LEFT END (B) as shown.
- ✚ Fasten the UPPER BACK RAILS (H) to the LEFT END (B). Tighten two HIDDEN CAMS.
- ✚ **NOTE:** Be sure the WOOD DOWELS in the LEFT END insert into the holes in the UPPER BACK RAILS.
- ✚ Insert two WOOD DOWELS (7) into the UPPER BACK RAILS (H). Fasten the BACK DIVIDERS (DD) to the UPPER BACK RAILS (H). Tighten two HIDDEN CAMS.
- ✚ **NOTE:** Be sure the WOOD DOWELS in the UPPER BACK RAILS insert into the holes in the BACK DIVIDERS.



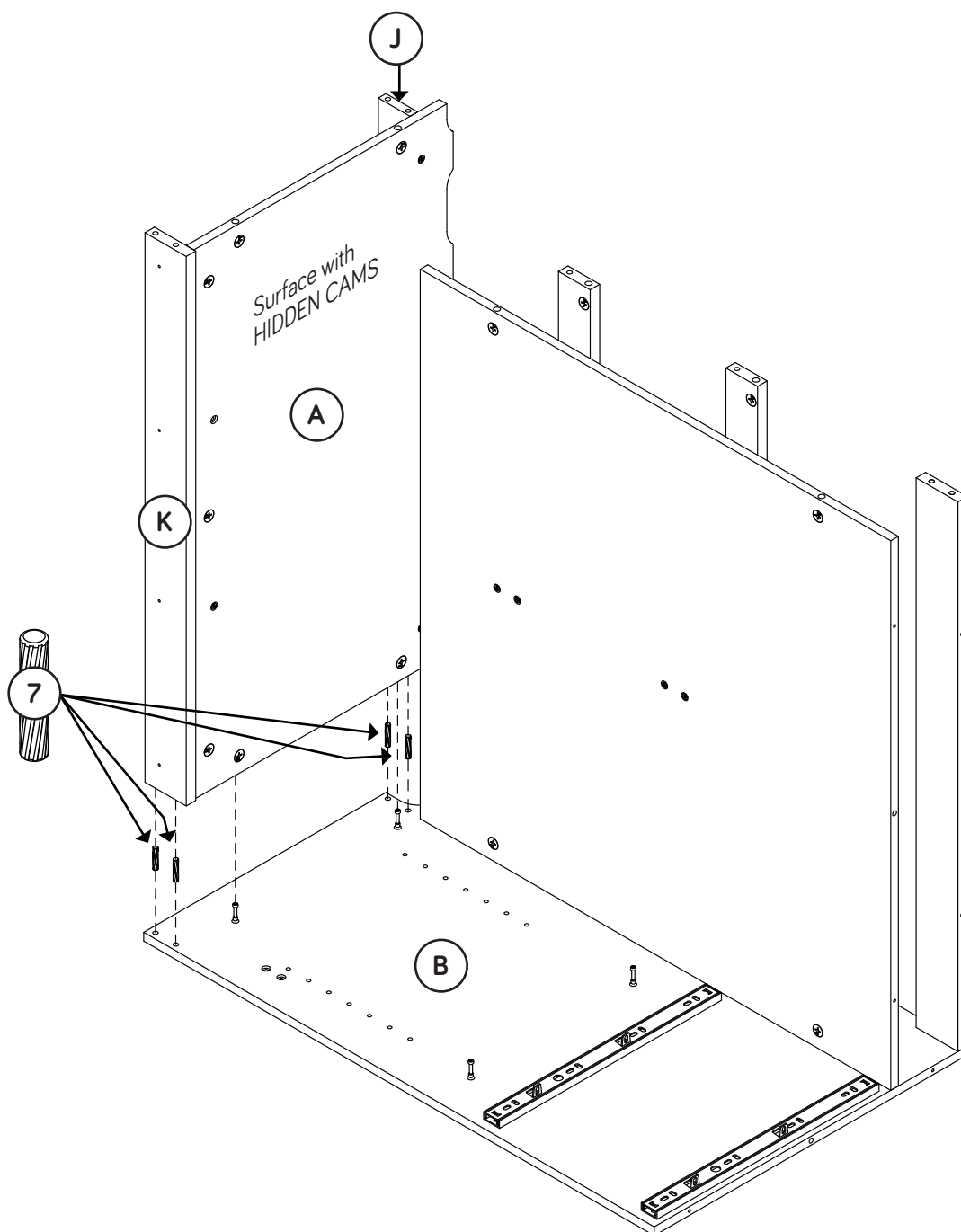
Step 8

- Fasten the BACK (E) to the LEFT END (B). Tighten two HIDDEN CAMS.
- Fasten the BACK (E) to the BACK DIVIDERS (DD). Use four SILVER 1-3/16" FLAT HEAD SCREWS (15).



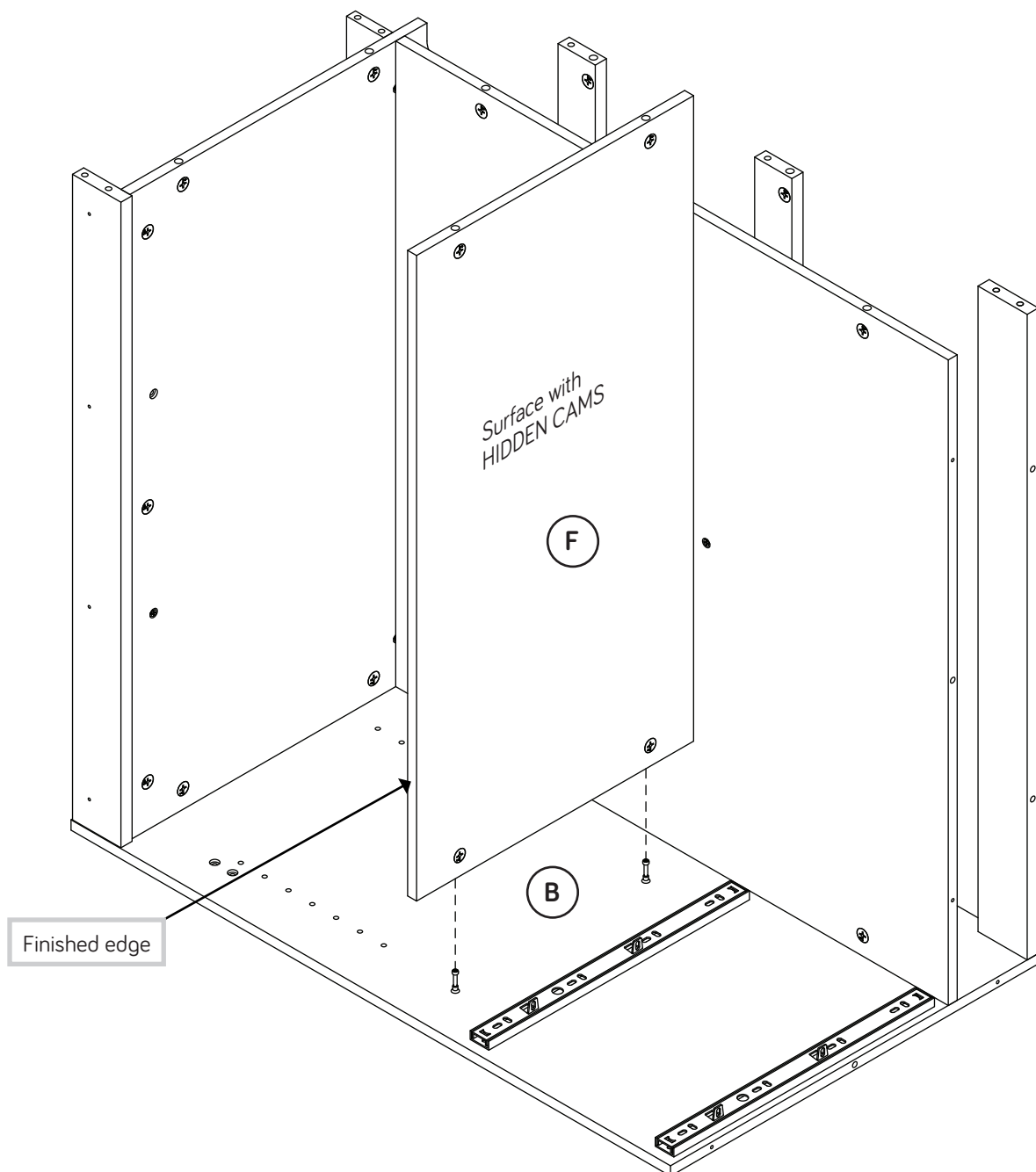
Step 9

- ✚ Insert four WOOD DOWELS (7) into the LEFT END (B).
- ✚ Fasten the TRAY BOTTOM (A) to the LEFT END (B).
Tighten two HIDDEN CAMS.
- ✚ **NOTE:** Be sure the WOOD DOWELS in the LEFT END insert into the holes in the TRAY FRONT and TRAY BACK.



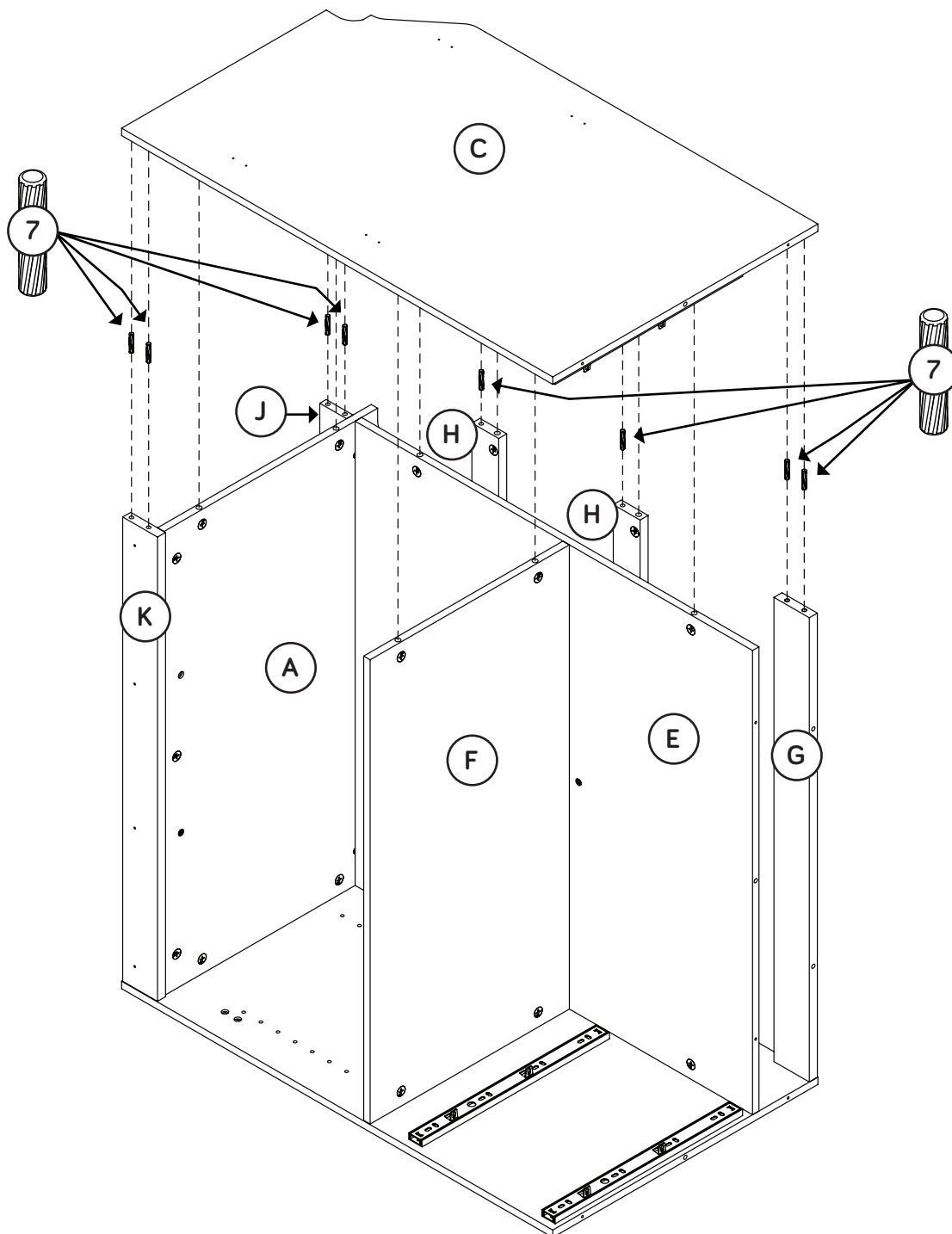
Step 10

- Fasten the SHELF (F) to the LEFT END (B). Tighten two HIDDEN CAMS.



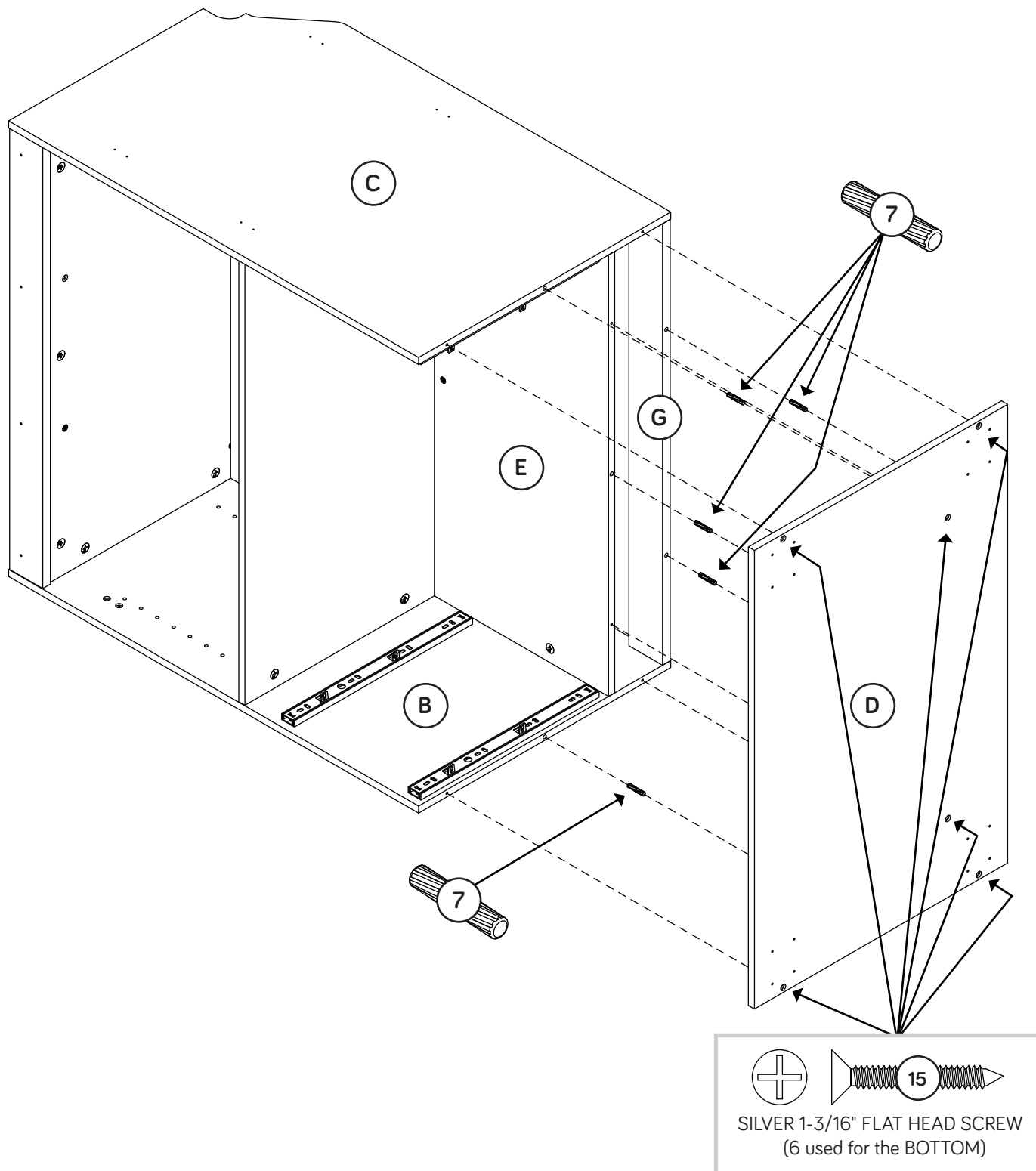
Step 11

- ✚ Insert eight WOOD DOWELS (7) into the BACK RAILS (G and H), TRAY BACK (J), and TRAY FRONT (K).
- ✚ Fasten the RIGHT END (C) to the TRAY BOTTOM (A), BACK (E), SHELF (F) and UPPER BACK RAILS (H). Tighten eight HIDDEN CAMS.
- ✚ **NOTE:** Be sure the WOOD DOWELS in the BACK RAILS, TRAY BACK, and TRAY FRONT insert into the holes in the RIGHT END.



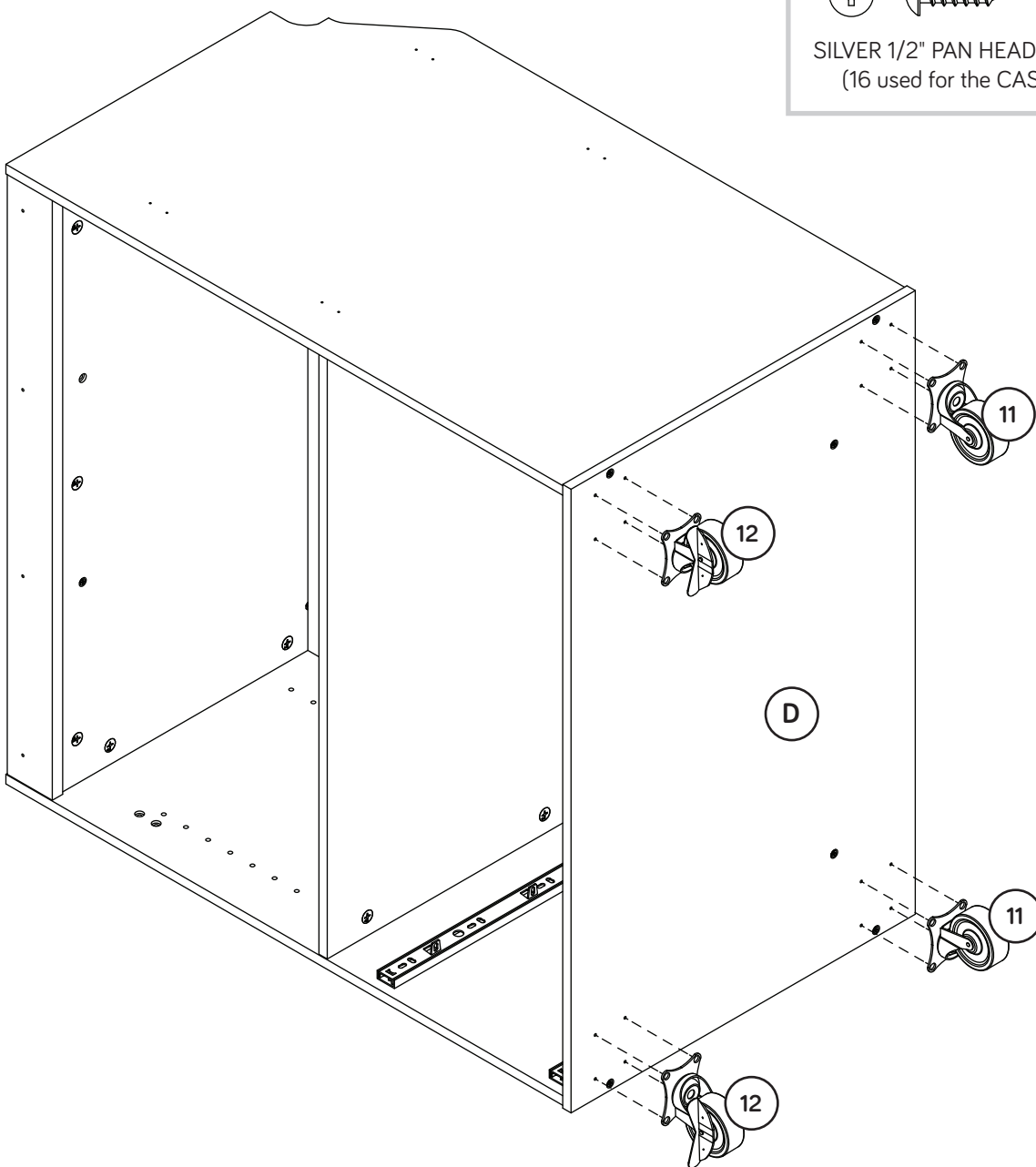
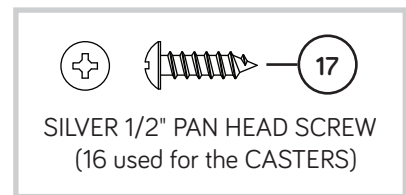
Step 12

- ✚ Insert five WOOD DOWELS (7) into the BOTTOM (D).
- ✚ Fasten the BOTTOM (D) to the ENDS (B and C) and BACK (E).
Use six SILVER 1-3/16" FLAT HEAD SCREWS (15).
- ✚ **NOTE:** Be sure the WOOD DOWELS in the BOTTOM insert into the holes in the ENDS (B and C) and BACK (E), LOWER BACK RAIL (G).



Step 13

- NOTE: The SILVER 1/2" PAN HEAD SCREW (17) is larger than the SMALL SILVER 1/2" PAN HEAD SCREW (19). SCREW (17) will be used in this step.
- Fasten the CASTERS (11 and 12) to the BOTTOM (D). Use sixteen SILVER PAN HEAD SCREWS (17).



Step 14

Fasten the WIRE TRAYS (14) to the RIGHT END (C). Use four CLAMPS (9) and eight SMALL SILVER 1/2" PAN HEAD SCREWS (19).

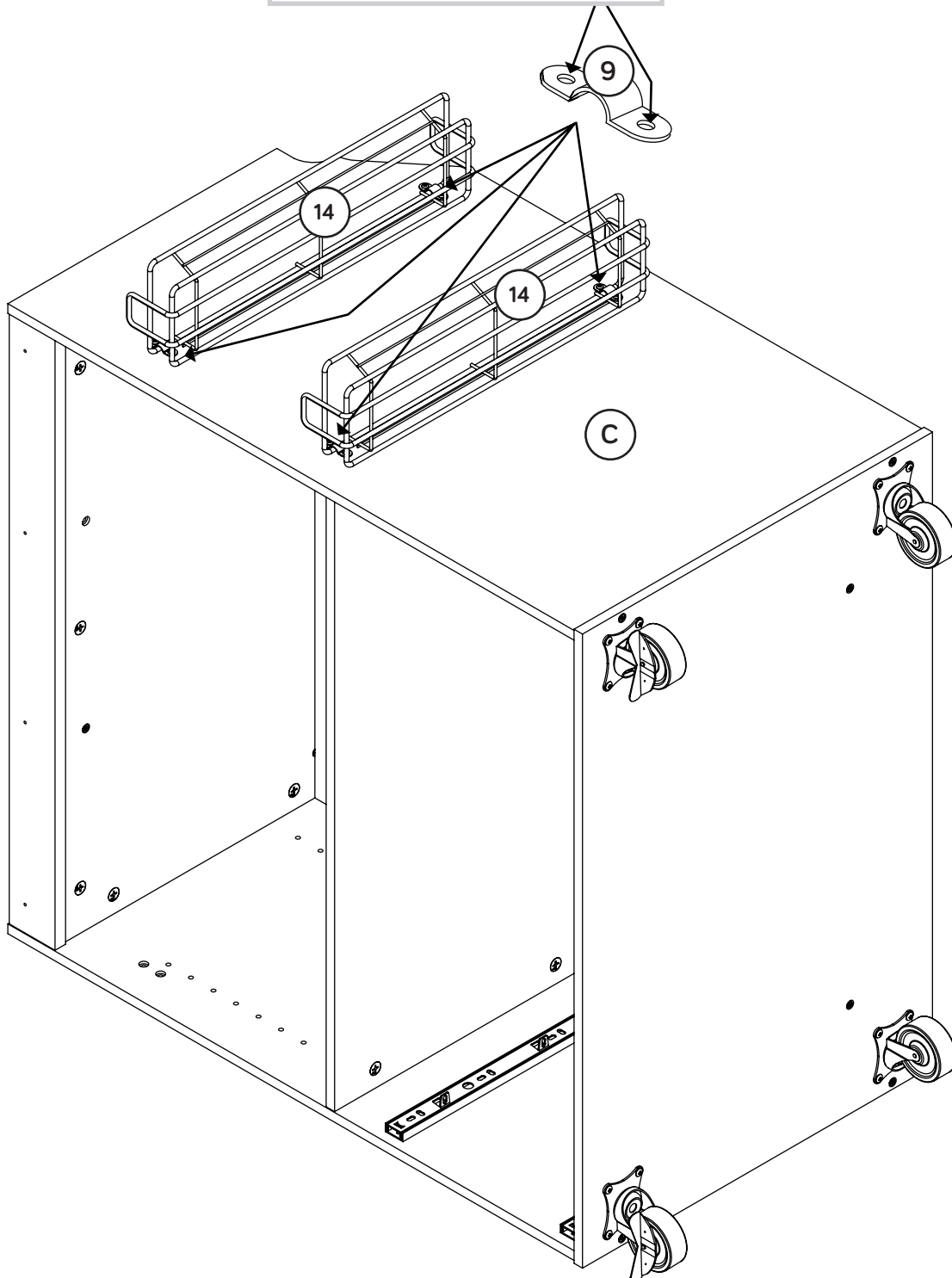


Don't worry. It isn't Rome. This can be built in a day.



19

SMALL SILVER 1/2" PAN HEAD SCREW
(8 used for the CLAMPS)

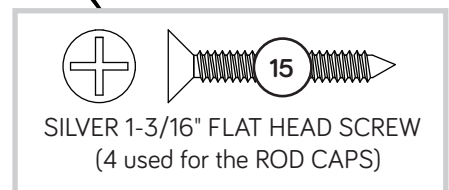
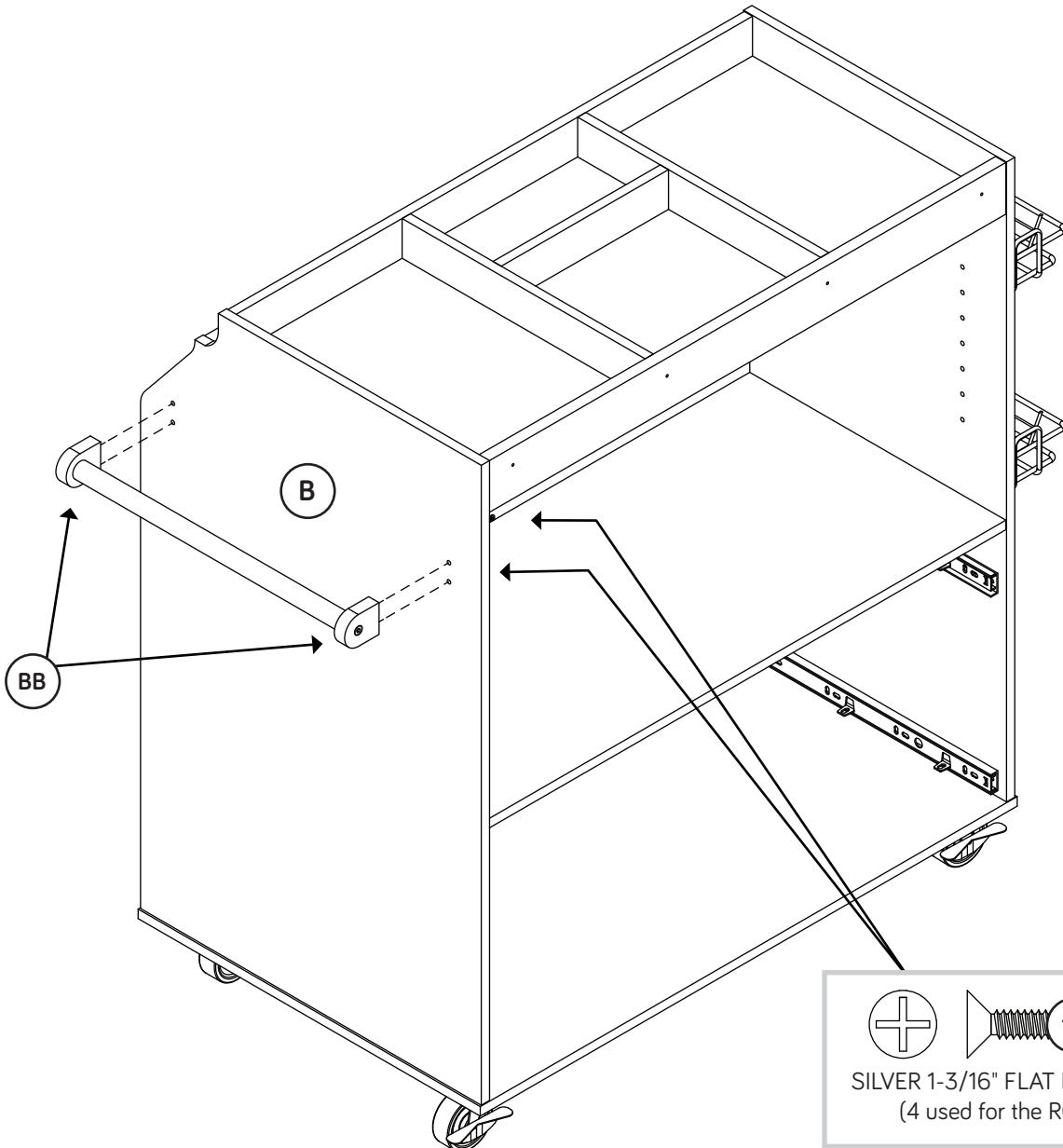
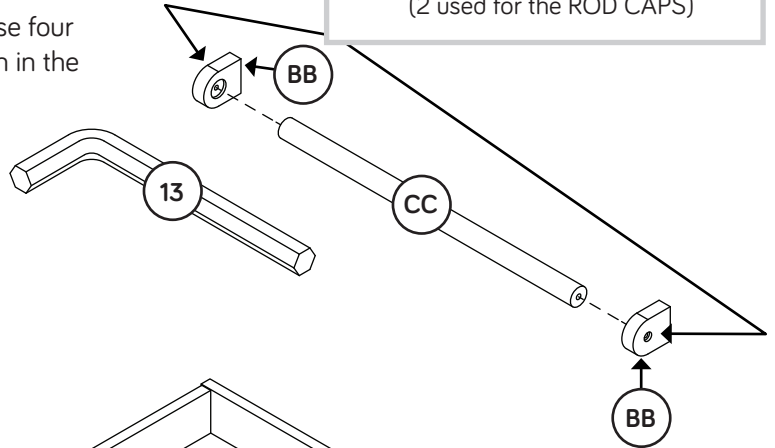
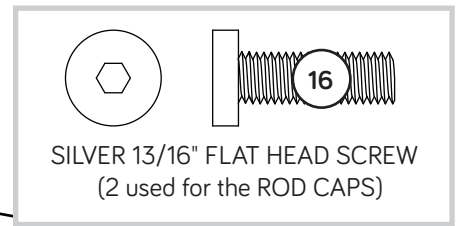


Step 15

Fasten two ROD CAPS (BB) to the ROD (CC). Tighten two SILVER 13/16" HEX HEAD SCREWS (16) using the L-WRENCH (13) as shown in the upper diagram.

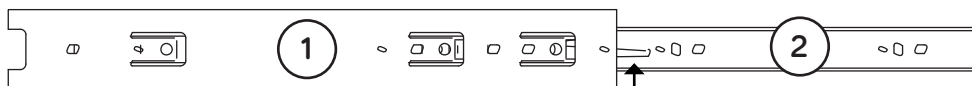
Carefully stand your unit upright.

Fasten the ROD CAPS (BB) to the LEFT END (B). Use four SILVER 1-3/16" FLAT HEAD SCREWS (15) as shown in the lower diagram.

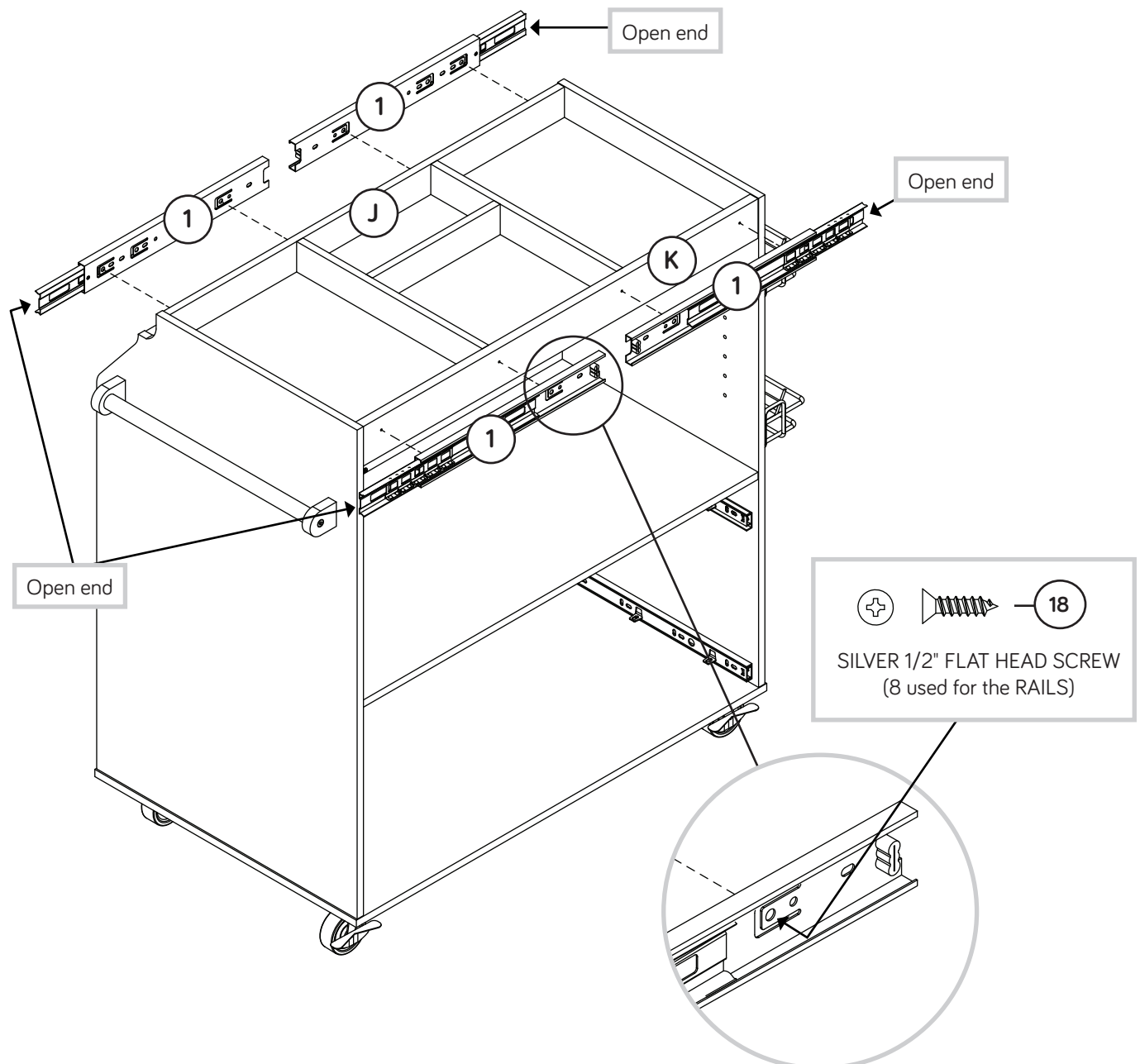


Step 16

- ✦ Separate the EXTENSION SLIDES (2) from the EXTENSION RAILS (1) as shown in the upper diagram below. Be prepared, the parts are greasy.
- ✦ Fasten the EXTENSION RAILS (1) to the TRAY BACK (J) and TRAY FRONT (K). Use eight SILVER 1/2" FLAT HEAD SCREWS (18).
- ✦ **NOTE:** For each EXTENSION RAIL, turn a SCREW into the hole shown in the enlarged diagram. Then, slide the inner cartridge of the EXTENSION RAIL in to find the other hole that lines up with the hole in the TRAY FRONT/TRAY BACK. Turn a SCREW into this hole.
- ✦ **NOTE:** The EXTENSION SLIDES will be used in the next step.

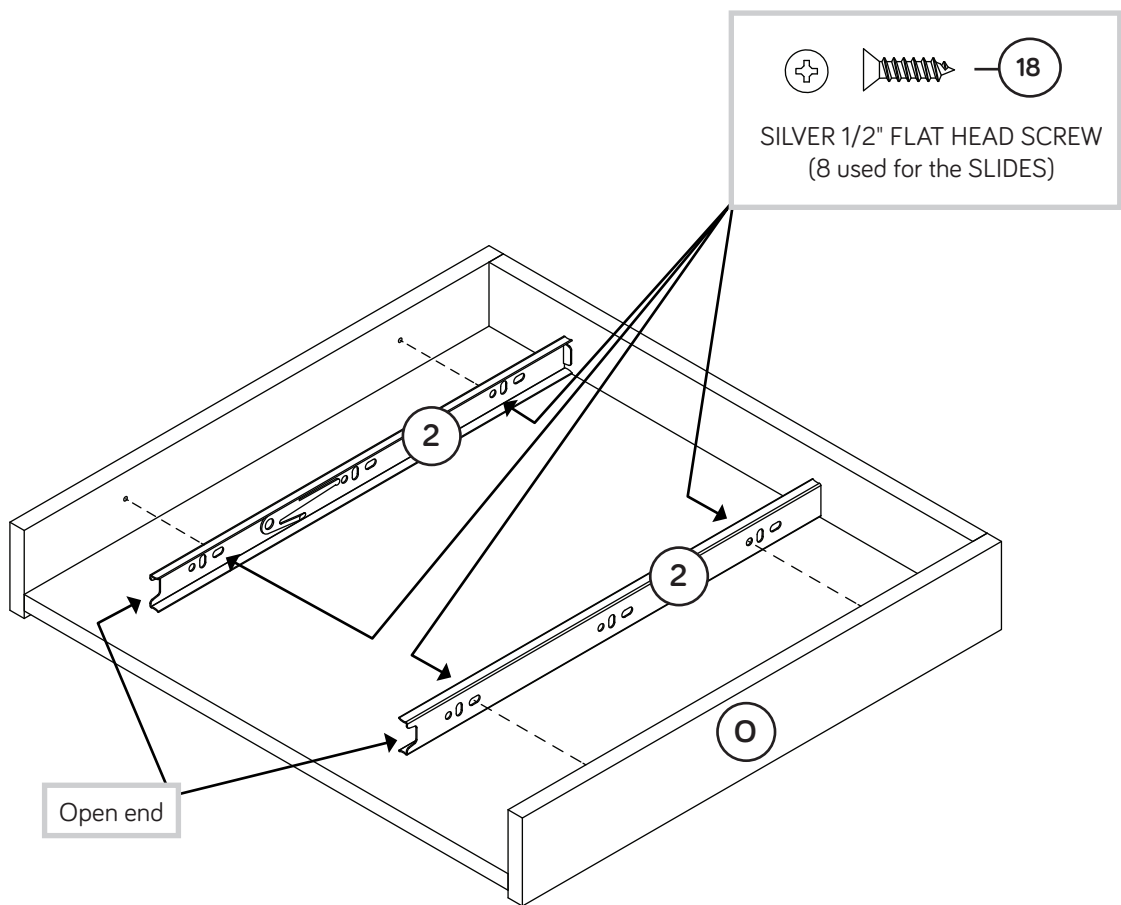


Push up on the black lever and pull the SLIDE from the RAIL.



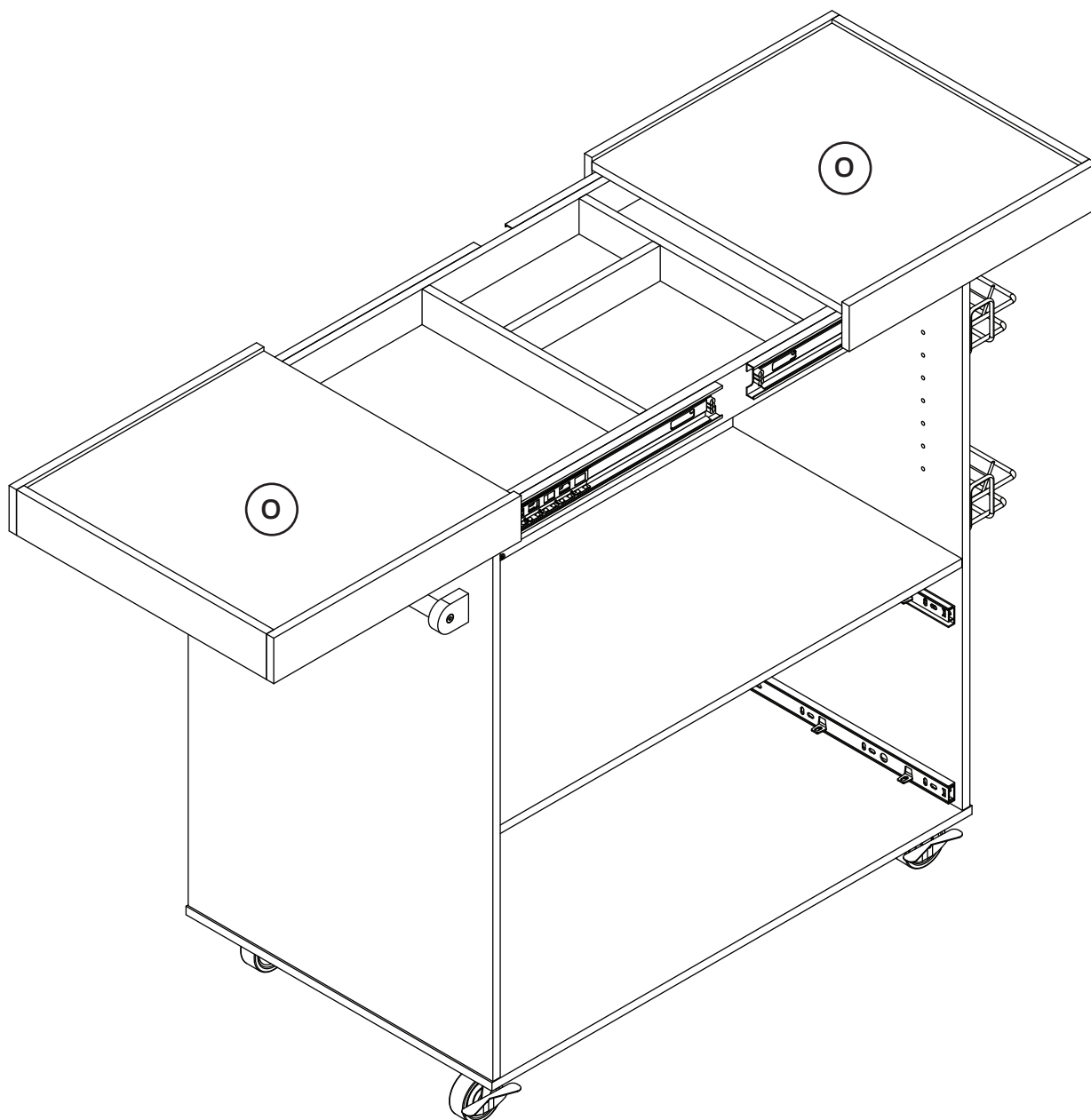
Step 17

- Fasten two EXTENSION SLIDES (2) to a SLIDING TOP (0) as shown. Use four SILVER 1/2" FLAT HEAD SCREWS (18) through the indicated holes in each EXTENSION SLIDE.
- Repeat this step for the other SLIDING TOP (0).



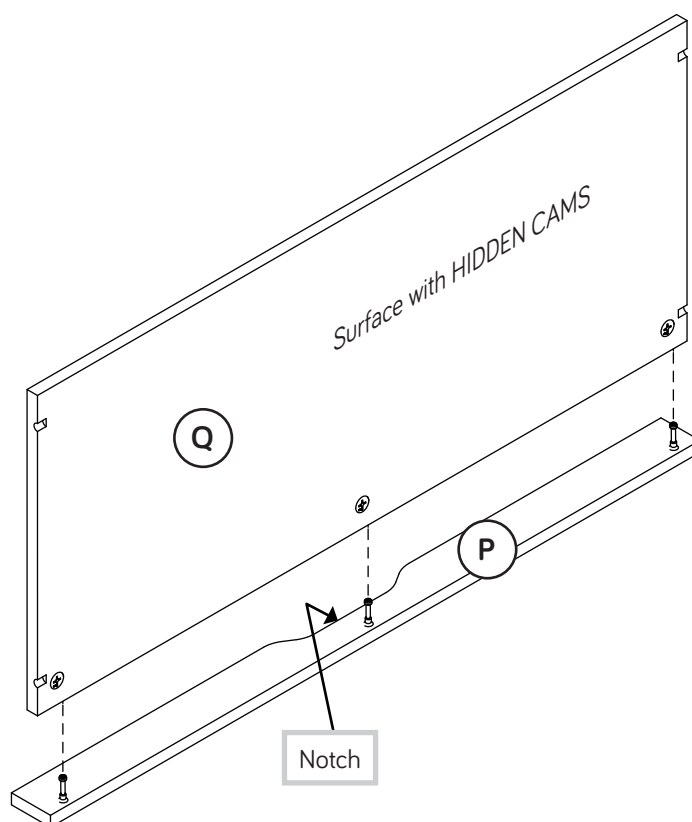
Step 18

- ✦ To insert the SLIDING TOPS (O) onto your unit, line up the EXTENSION SLIDES on the SLIDING TOPS with the EXTENSION RAILS on the unit. Push the SLIDING TOPS onto the unit until they are fully closed. The TOPS will push on hard until they are all the way on, then they will open and close easier.

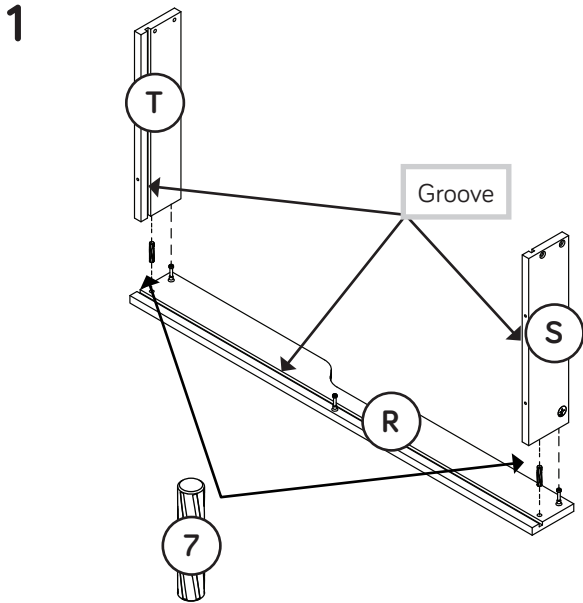


Step 19

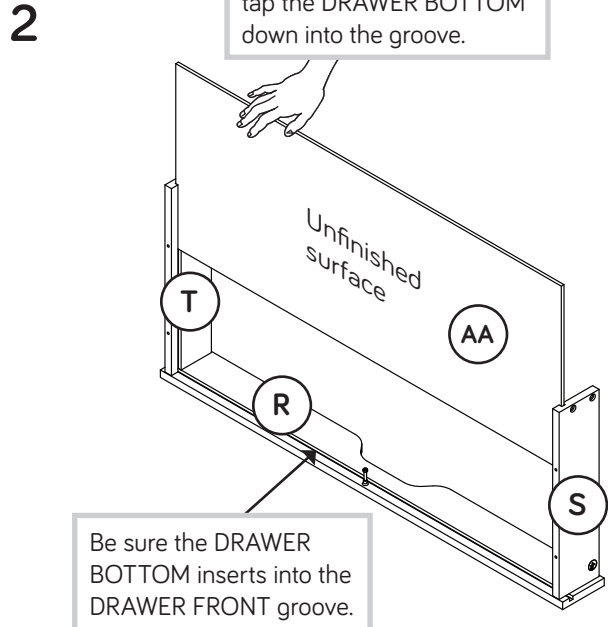
- Fasten an ADJUSTABLE SHELF (Q) to an ADJUSTABLE SHELF FRONT (P). Tighten three HIDDEN CAMS.
- Repeat this step.



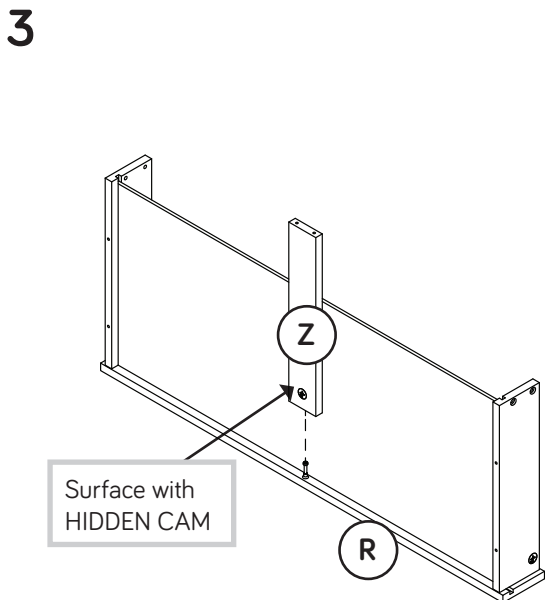
Step 20



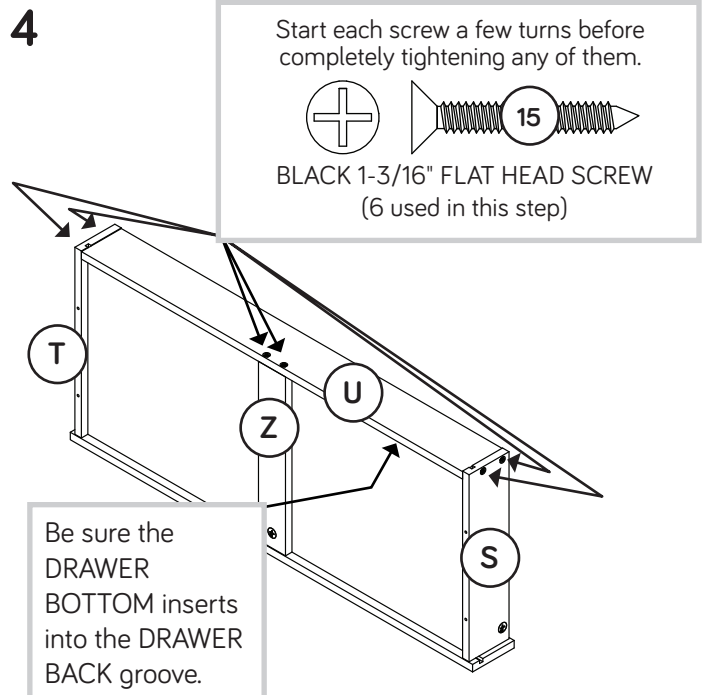
- 1 Insert two WOOD DOWELS (7) into the holes in the SMALL DRAWER FRONT (R).
- 2 Fasten the SMALL DRAWER SIDES (S and T) to the SMALL DRAWER FRONT (R). Tighten two HIDDEN CAMS.



- 1 With the palm of your hand, tap the DRAWER BOTTOM down into the groove.
- 2 Be sure the DRAWER BOTTOM inserts into the DRAWER FRONT groove.
- 3 Slide a SMALL DRAWER BOTTOM (AA) into the grooves in the SMALL DRAWER SIDES (S and T) and DRAWER FRONT (R).



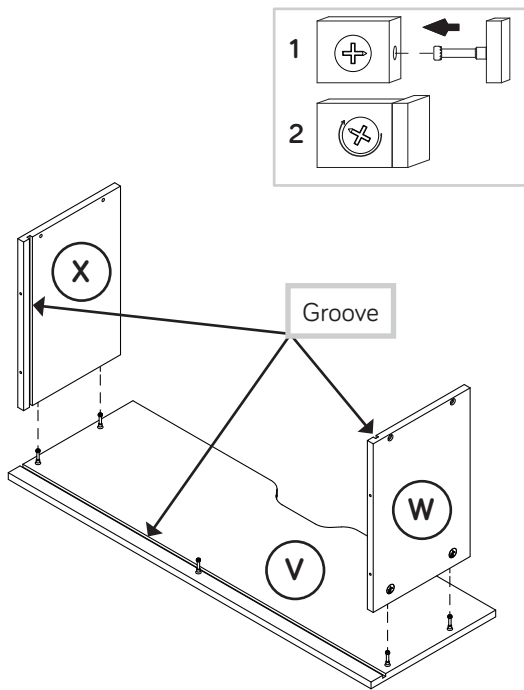
- 1 Fasten a DRAWER BRACE (Z) to the SMALL DRAWER FRONT (R). Tighten one HIDDEN CAM.



- 1 Be sure the DRAWER BOTTOM inserts into the DRAWER BACK groove.
- 2 Fasten the SMALL DRAWER BACK (U) to the SMALL DRAWER SIDES (S and T) and DRAWER BRACE (Z). Use six BLACK 1-3/16" FLAT HEAD SCREWS (15).

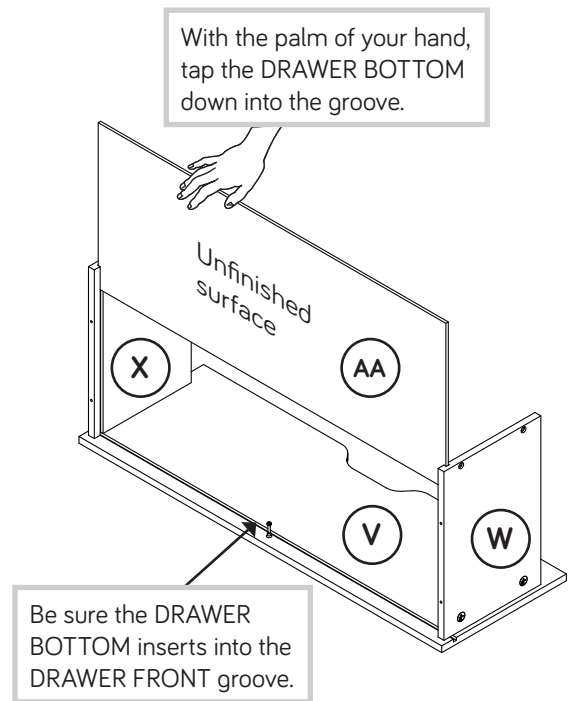
Step 21

1



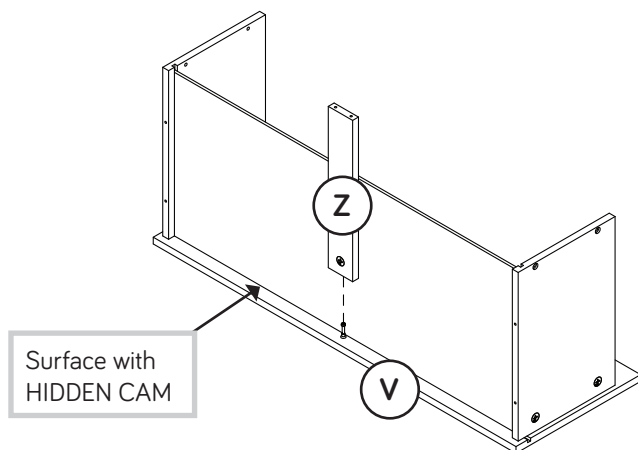
- Fasten the LARGE DRAWER SIDES (W and X) to the LARGE DRAWER FRONT (V). Tighten four HIDDEN CAMS.

2



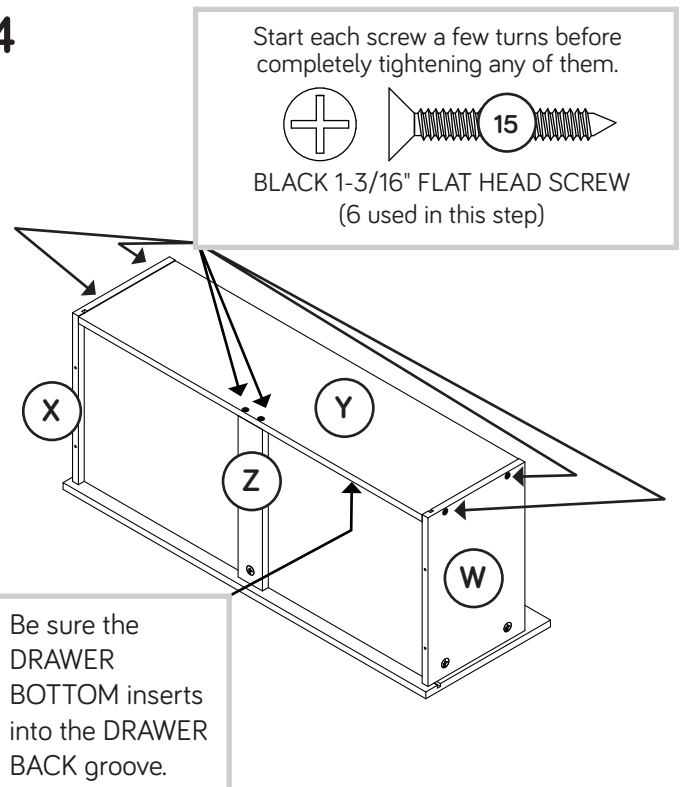
- Slide a DRAWER BOTTOM (AA) into the grooves in the LARGE DRAWER SIDES (W and X) and LARGE DRAWER FRONT (V).

3



- Fasten a DRAWER BRACE (Z) to the LARGE DRAWER FRONT (V). Tighten one HIDDEN CAM.

4

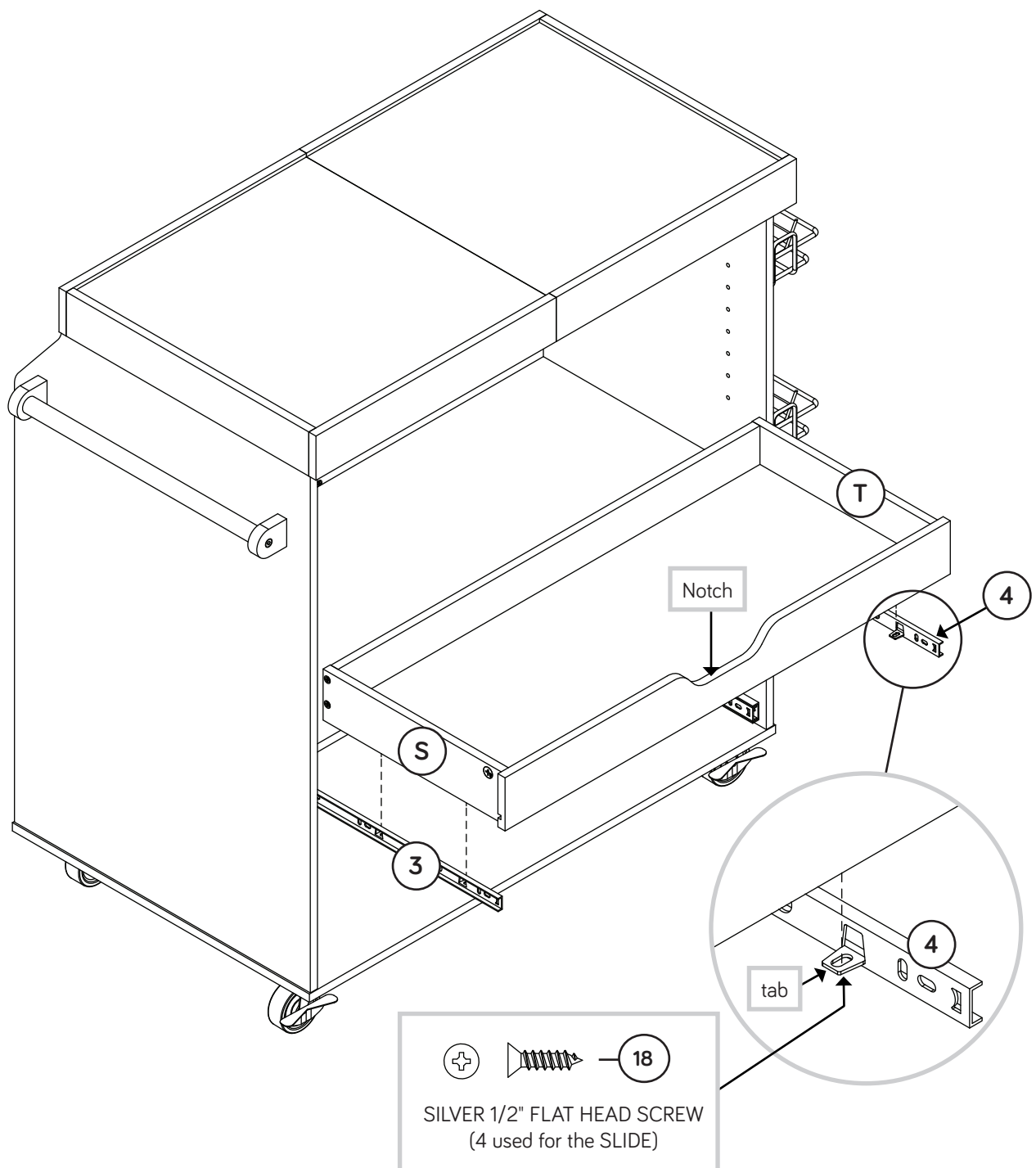


- Fasten the LARGE DRAWER BACK (Y) to the LARGE DRAWER SIDES (W and X) and DRAWER BRACE (Z). Use six BLACK 1-3/16" FLAT HEAD SCREWS (15).

Step 22

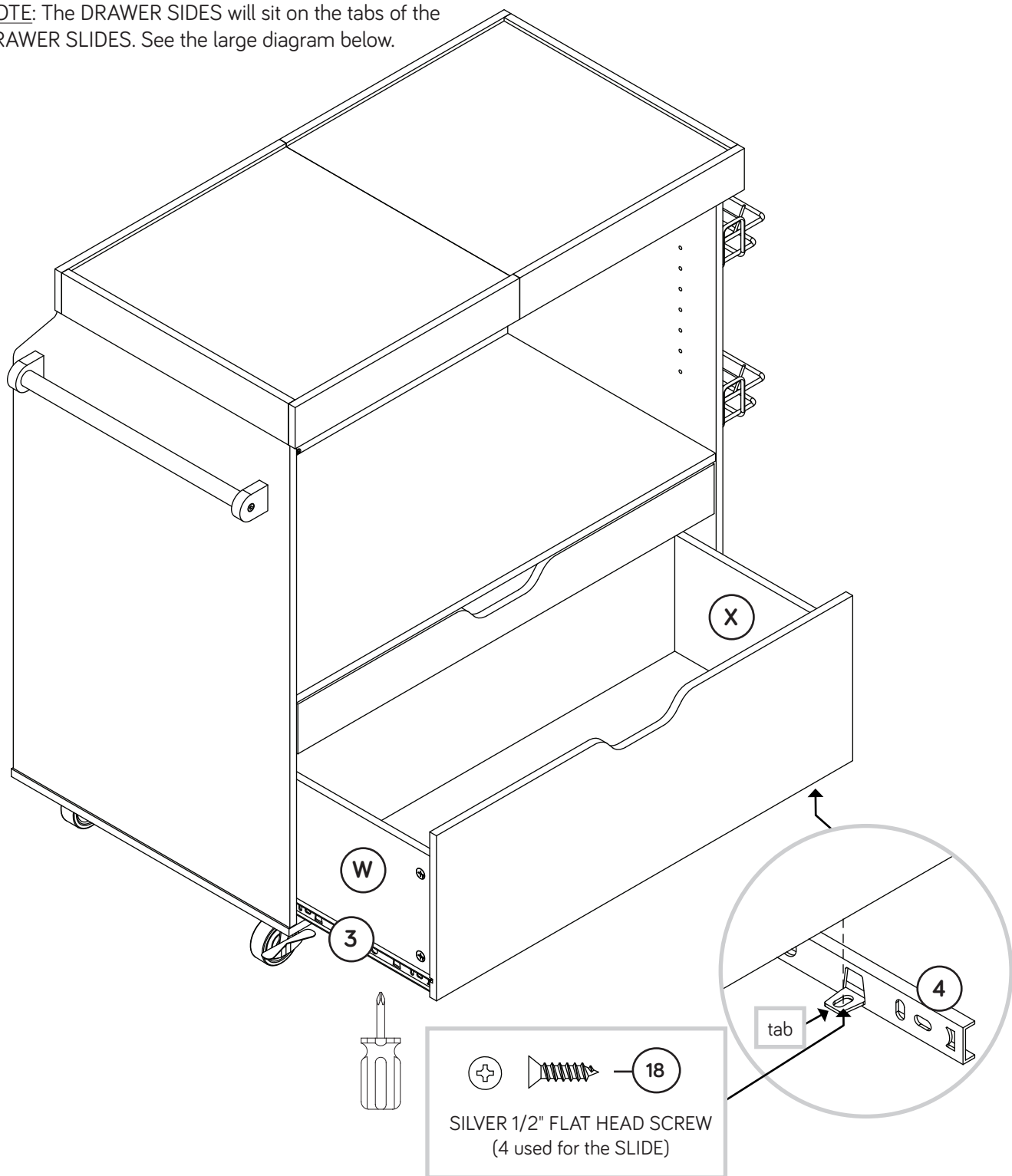
Fasten the SMALL LEFT DRAWER SIDE (S) to the upper LEFT DRAWER SLIDE (3) and the SMALL RIGHT DRAWER SIDE (T) to the upper RIGHT DRAWER SLIDE (4). Use four SILVER 1/2" FLAT HEAD SCREWS (18).

NOTE: The DRAWER SIDES will sit on the tabs of the DRAWER SLIDES. See the large diagram below.



Step 23

- ✚ **NOTE:** You will need a short screwdriver in this step.
- ✚ Fasten the **LARGE LEFT DRAWER SIDE (W)** to the **lower LEFT DRAWER SLIDE (3)** and the **LARGE RIGHT DRAWER SIDE (X)** to the **lower RIGHT DRAWER SLIDE (4)**. Use four **SILVER 1/2" FLAT HEAD SCREWS (18)**.
- ✚ **NOTE:** The **DRAWER SIDES** will sit on the **tabs** of the **DRAWER SLIDES**. See the large diagram below.

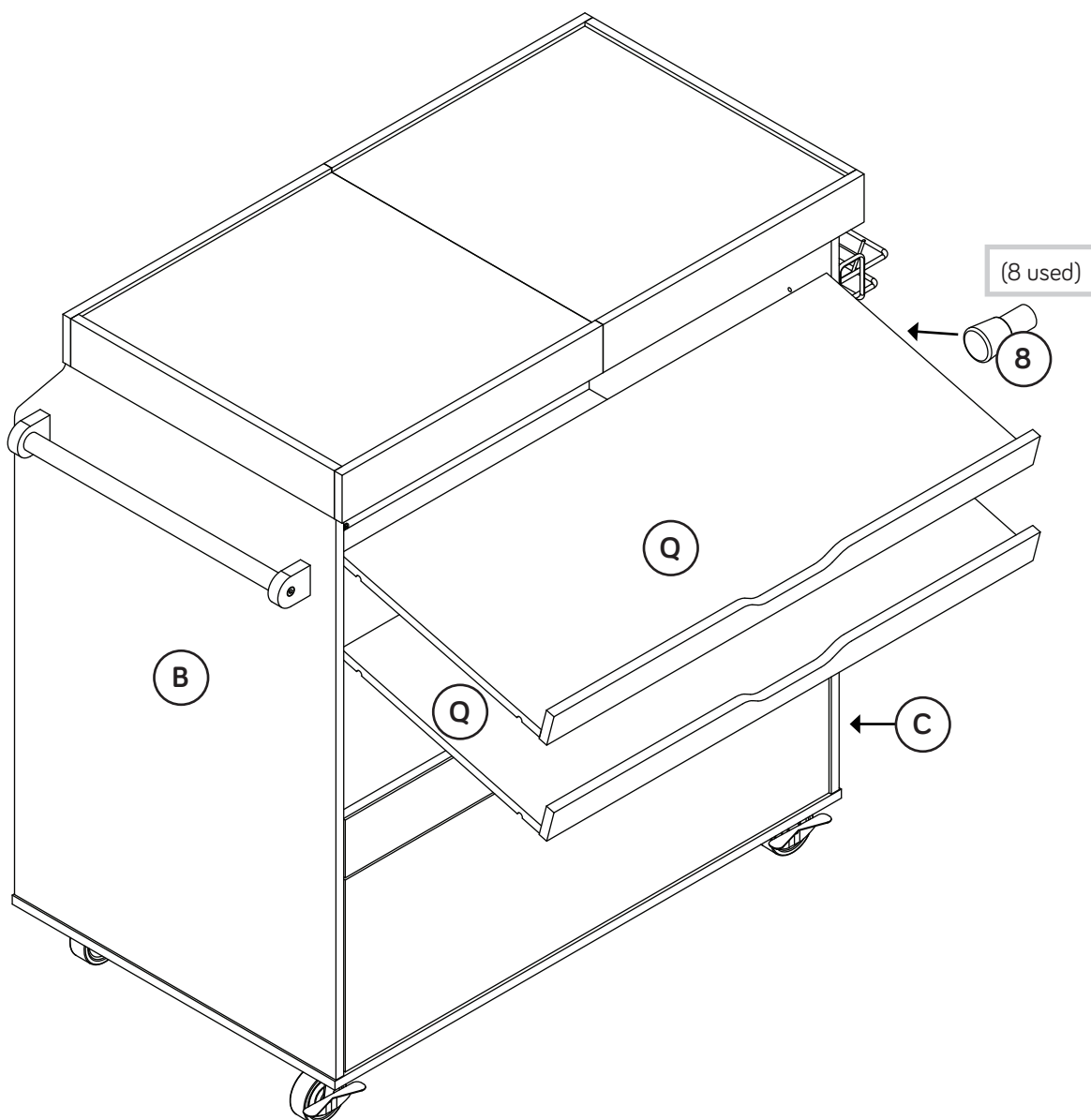
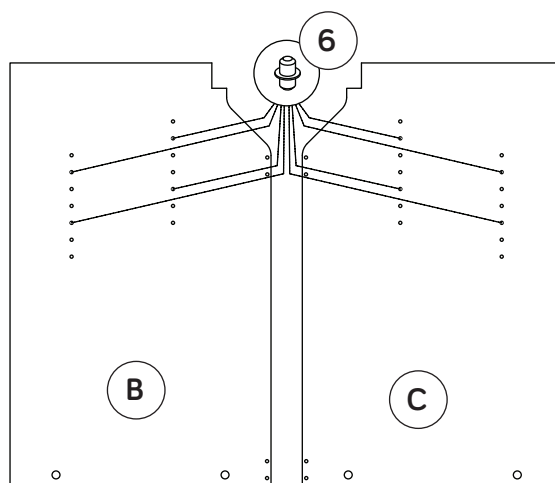


Step 24

✚ The ADJUSTABLE SHELVES (Q) will set on the METAL PINS (8) on an angle. There are two sets of seven holes in each END (B and C) as shown to the right. If you choose to insert a METAL PIN in the third hole from the bottom hole, then a pin must also be inserted in the third hole from the bottom hole on the other set of seven holes in each END (B and C).

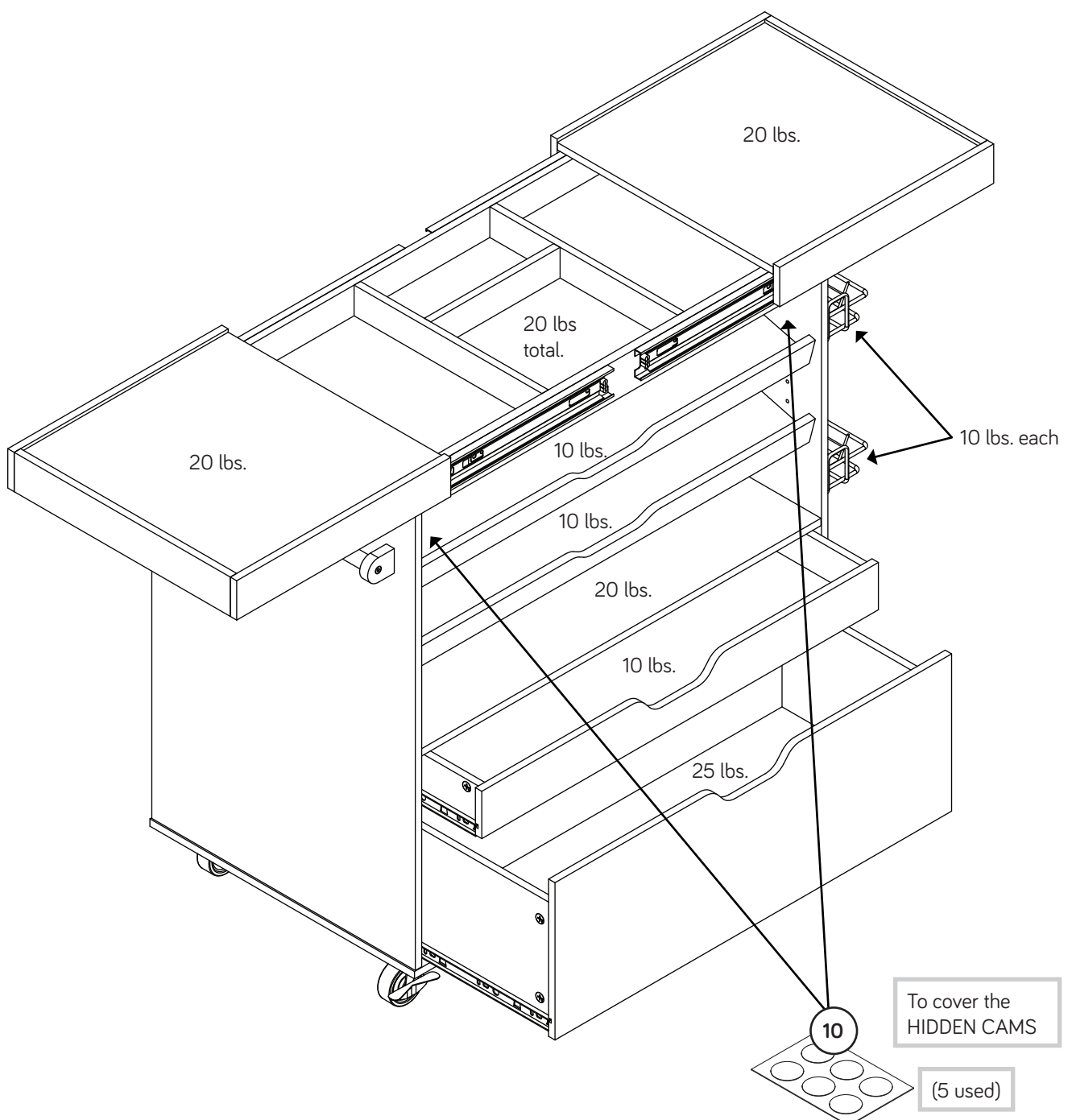
✚ Insert eight METAL PINS (8) into the holes of your choice in the ENDS (B and C).

✚ Place the ADJUSTABLE SHELVES (Q) on the METAL PINS (8).



Step 25

- ✦ Peel APPLIQUES from the APPLIQUE CARD (10) and stick them on each visible HIDDEN CAM.
- ✦ **NOTE:** Please read the back pages of the instruction booklet for important safety information.
- ✦ This completes assembly. Clean with your favorite furniture polish or a damp cloth. Wipe dry.



WARNING

Please use your furniture correctly and safely. Improper use can cause safety hazards, or damage to your furniture or household items. ***Carefully read the following chart.***

Look out for:	What can happen:	How to avoid the problem:
<ul style="list-style-type: none">Overloaded drawers or shelves.	<ul style="list-style-type: none">Risk of injury.Top-heavy furniture can tip over.Overloaded drawers or shelves can break.	<ul style="list-style-type: none">Never exceed the weight limits shown in the instructions.Work from bottom to top when loading shelves and drawers. Place the heavier items on the lower shelves or in lower drawers.
<ul style="list-style-type: none">Improperly moving the cart.	<ul style="list-style-type: none">Risk of injury or equipment damage.The cart can tip if not moved carefully over obstacles or across a changing floor surface (for example, from a wood floor to a carpeted floor).	<ul style="list-style-type: none">Lift the cart so the casters clear any obstacles or abrupt changes in the floor surface.
<ul style="list-style-type: none">Placing TVs on furniture items that are not designed to support a television is hazardous.	<ul style="list-style-type: none">Risk of injury or death. TVs can be very heavy. Plus the weight and location of the picture tube tends to make TVs unbalanced and prone to tipping forward.	<ul style="list-style-type: none">This product is not designed to support a television.