

MEET UP

The complete
mobile board system



ARTVERUM

The multifunctional
glass whiteboards and magnetic boards



WORKBOOK



SPACE FOR IDEAS



CHANGES WITHIN THE WORLD OF WORK
CALL FOR A NEW APPROACH.

Nowadays, people frequently use the office as a place of collaboration, a place to meet, exchange ideas and inspire each other.

Many offices are not yet equipped for these changes, and do not yet provide the necessary space for inspiration and creativity. There is often no room for new, compelling ideas.

Just as a sheet of paper inspires a writer, or an empty canvas a painter, a white office board provides the space that thoughts and ideas need to develop and grow.

SIGEL office boards are designed for this exact purpose. They support people collaborating creatively and generating new ideas as a team. From a small flash of inspiration to a world-shaking innovation – anything can originate from a SIGEL office board. Be inspired!





**“ONE THOUGHT
CANNOT AWAKE
WITHOUT
AWAKENING
OTHERS.”**

© MARIE EBNER-ESCHENBACH

MEET UP

THE COMPLETE MOBILE BOARD SYSTEM

Meet up has been specially developed for agile, creative work methods such as brainstorming, Scrum or Kanban. Slotted into one or both sides of the mobile stand, **Meet up boards** can be quickly transported to an impromptu meeting. They enable greater transparency, flexibility and efficiency for project work and teamwork.



KEY FACTS

- Whiteboards: write on both sides, easy to clean, magnetic
- Multifunctional – in the stand or wall rail
- Extra-lightweight boards
- Simple, award-winning design

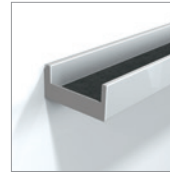
PRODUCT DETAILS

MU020 - WHITEBOARD



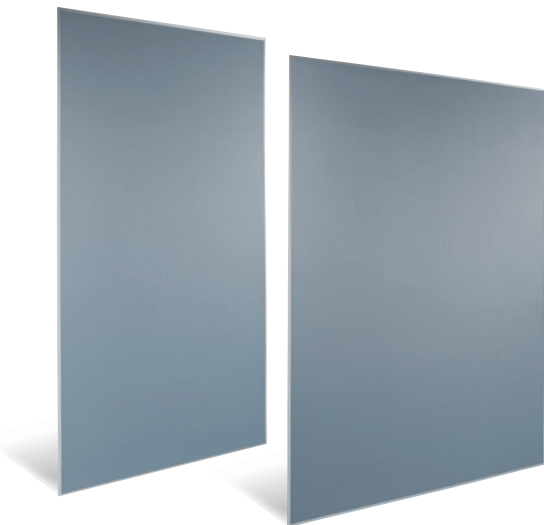
- HxWxD: 180 x 90 x 1.7 cm
- Material: coated metal surface, aluminium
- Colour: white
- Weight: 9.5 kg
- For double-sided use: magnetic, to write on, stick on notes, wipe clean

MU060 – WALL RAIL



- HxWxD: 200 x 9.3 x 4.4 cm
- Material: aluminium
- Colour: silver
- Weight: 3.8 kg
- Easy to mount
- Expandable from both ends

MU010 / MU011 - PINBOARD



MU010

- HxWxD: 180 x 90 x 1.7 cm
- Weight: 4.7 kg

MU011

- HxWxD: 180 x 120 x 1.7 cm
- Weight: 6.3 kg
- Material: fabric surface, aluminium
- Colour: grey
- For double-sided use: pin on notes; also suitable for static notes

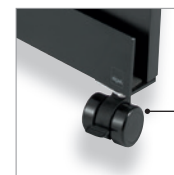


Narrow aluminium profile

MU050 - STAND



- LxWxH: 46.4 x 52.3 x 55 cm
- Material: lacquered MDF
- Colour: black
- Weight: 9.1 kg
- Larger castors for soft floors to purchase separately – MU051



Lockable castors for hard floors



Double-sided brush profile



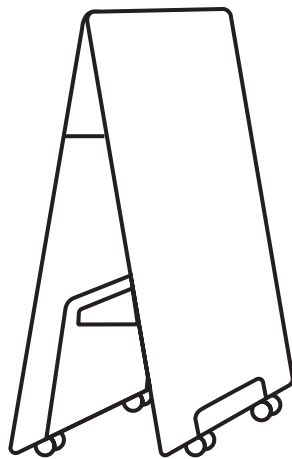
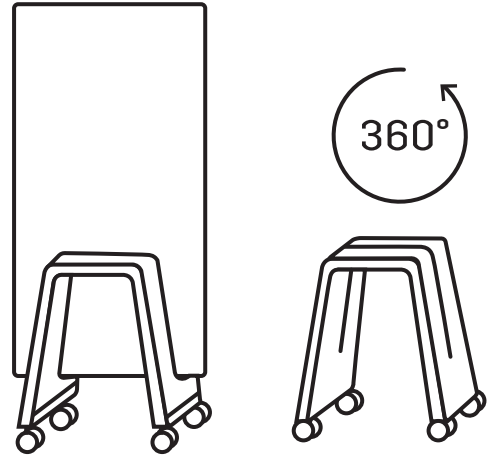
WORKING INNOVATIVELY

Due to agile, collaborative work methods, it is becoming increasingly common for several teams to work together or even simultaneously. To do so effectively, it is important to have the most productive work surface available, even when space is limited. The mobile board system means meetings can be held on the spur of the moment with a minimum of effort, even when no meeting room is available – any time and anywhere.

RANGE OF APPLICATIONS

SINGLE USE

Simply take one of the extra-lightweight Meet up whiteboards and place it in the centre of the mobile stand. This instantly creates more space for ideas, as it can be used on both sides, either to write on or to attach notes magnetically. At the same time, it can be used as a room divider in an open-plan office.

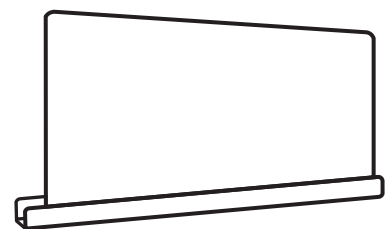


TENT USE

There's more to the mobile stand. You can also place two boards back to back to build a "tent". And when you turn the boards around in the stand, you have four whole surfaces to fill with ideas – and all of this within the smallest space. What's more, the stand is easy to move around the office thanks to the integrated castors.

WALL RAIL

After an impromptu brainstorming session using Meet up, simply take the boards and lean them against the wall. Once placed in the wall rail, they are clearly visible to all team members, either permanently or temporarily. When it's time for another meeting, simply remove the board from the wall rail and roll it in the mobile stand to wherever it is needed next.



AGILE WORK ENVIRONMENTS THANKS TO MEET UP



Innovation Natives, a development office for innovations

Matthias Abel, the managing director, offered his employees the opportunity to design their own workplace in the way that “works best for them”. **And what they chose was Meet up.**

The staff can now get creative around the mobile office board in any way they like – sitting on the carpet or standing at the lectern, as Meet up adapts quickly and easily to any situation. The mobile stand can be rolled swiftly around the office to wherever it is needed.



“Teams can initiate, organise, learn and optimise very different dynamics, very different kinds of interactions with each other, if you only give them the freedom to create the space they need to do so.”

Matthias Abel
Innovation Natives GmbH

ARTVERUM

THE MULTIFUNCTIONAL GLASS WHITEBOARDS AND MAGNETIC BOARDS

SIGEL's Artverum range adds value to any workplace, with everything from small boards for the home office to the XXL version for prestigious meeting rooms: high-quality safety glass without a frame creates a elegant setting for the best ideas. Easy to write on and magnetic, the glass whiteboards are perfect for agile work methods.

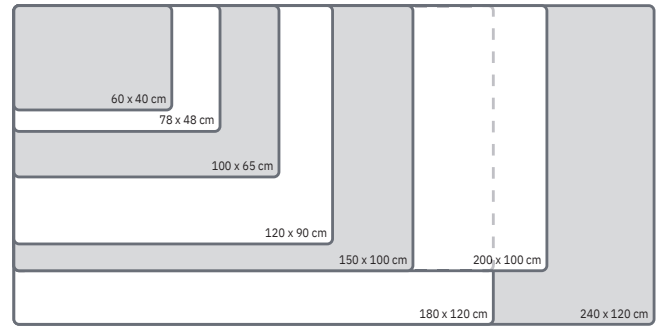
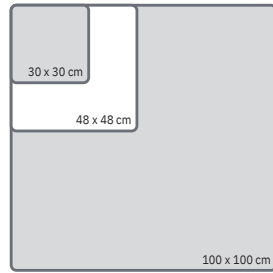
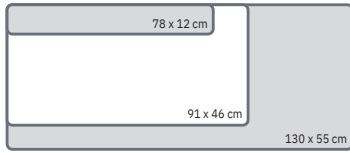


KEY FACTS

- Elegant glass surface for a clean, open look
- Free-floating, without the restrictions of a frame
- High-quality safety glass (EN 12150-1)
- Robust, scratch-resistant, extremely durable
- Easy to clean

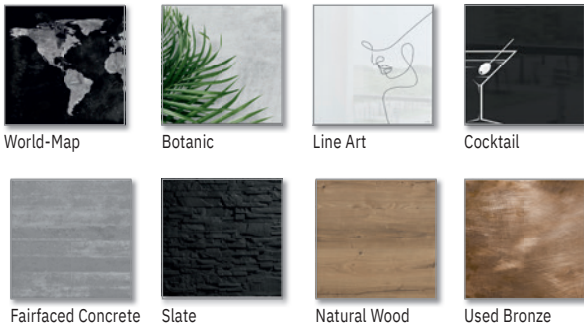
PRODUCT DETAILS

FORMATS

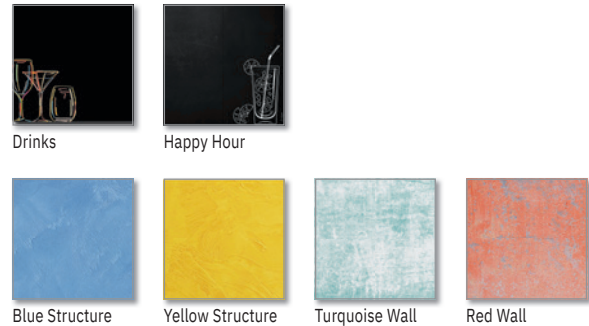


DESIGNS

GLOSSY SURFACE



MATT SURFACE



COLOURS

GLOSSY SURFACE



MATT SURFACE



MOUNTING

The magnetic glass board can be mounted in portrait or landscape format. The enclosed drilling template makes it easier to mark the position of the drill holes. The wall fittings are screwed securely to the wall with screws and anchors.

ARTVERUM GLASS WHITEBOARDS FROM THE SIGEL RANGE GUARANTEE THE HIGHEST LEVEL OF SAFETY!



THE FOUR TYPES OF ARTVERUM

ARTVERUM GLASS WHITEBOARDS, MATT



An absolute highlight:

The magnetic Artverum glass whiteboard with a matt surface is a multifunctional tool for meetings and project work. Thanks to the matt surface, the whiteboards are perfect for difficult lighting conditions. There is considerably less reflection, even of sunrays, and the results of the meeting can easily be photographed.

ARTVERUM GLASS WHITEBOARDS



The Artverum glass whiteboards are multifunctional, prestigious whiteboards for efficient interactions and organisation. The large-format boards are ideal for agile work methods such as Scrum, Kanban or Design Thinking. The clean, open look has won many international design awards.

ARTVERUM DESIGNER MAGNETIC BOARDS

The Artverum magnetic glass boards with a choice of a glossy or matt surface can be written on and are the contemporary alternative to a pinboard or classic whiteboard; they are also ideal as a designer element in the office or home. An Artverum magnetic board is the perfect place to record ideas and to-do lists: they are clearly visualised and can be rearranged as often as required. .



ARTVERUM LED MAGNETIC BOARDS

Fitted with LED lighting, these Artverum magnetic glass boards are genuine all-rounders. They act as a pinboard, notice board and, at the same time, illuminate the room beautifully. The room is bathed in warm white light for up to 25,000 hours, creating a pleasantly stimulating working or living ambience.



ELEGANT GLASS SURFACE FOR CREATIVE WORK



EXPANDABLE WRITING SURFACE

Large surfaces for big ideas: the whiteboards are easy to combine with other formats and colours in the Artverum magnetic glass board range.



TEAMWORK PAR EXCELLENCE

Developing ideas together on the whiteboard and visualising information helps facilitate teamwork.



MULTIFUNCTIONAL GLASS SURFACE

The glossy or matt surface is easy to write on and wipe clean, and is also magnetic.



AWARD-WINNING DESIGN

The unique, elegant, high-quality design of the Artverum glass whiteboards has won numerous awards.



CUSTOMIZED GLASS WHITEBOARDS & MAGNETIC BOARDS

Order a **bespoke** size, shape and colour for your Artverum magnetic glass boards!

INSPIRATIONAL WORK ENVIRONMENT WITH ARTVERUM



“The large glass whiteboards proved so popular that we ordered more for our training room.”

Büro Optimal, a planning and interiors business, always provides its customers with individual consultations.

For the redesign of the marketing department at a branch of a well-known bank, the staff were offered the choice of working without distractions in a quiet environment or being able to get together in open-plan rooms for the creative exchange of ideas.

Using SIGEL's custom-made Artverum glass whiteboards and the Meet up mobile board system, a creative space with a timeless, elegant look was developed.



“The support we had von SIGEL was excellent, and we’re really keen to work with them again. Let me put it this way: you’ve won me over.”

Reinhard Flügel
Büro Optimal Planungs- und Einrichtungs-GmbH

SUSTAINABLE BOARD ACCESSORIES

Indispensable for meetings, workshops and seminars: SIGEL board accessories are ideal for agile, creative work on whiteboards, magnetic glass boards and pinboards. The accessories are perfect for use with all SIGEL boards!

STARTER SETS

FOR ALL SIGEL BOARDS

The starter set comprises: board markers, wooden magnets, one wooden board eraser incl. spare pad, one washable cleaning cloth (magnetic), one board cleaning spray and wooden pins.



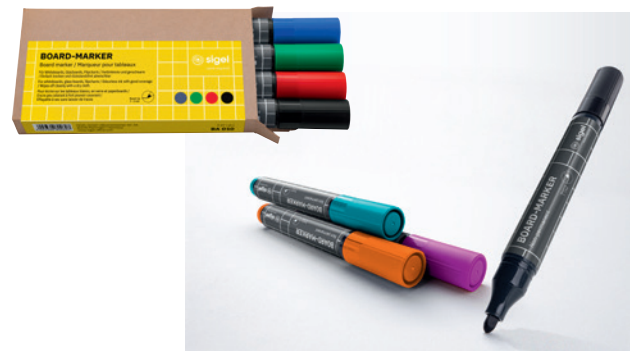
FOR MAGNETIC GLASS BOARDS

Board accessories for use on the SIGEL whiteboards and magnetic glass boards. With board markers, wooden magnets, a wooden board eraser incl. washable spare pad, cleaning cloth and board cleaning spray.



BOARD MARKERS

The board markers are available in a choice of colours and are perfect for all whiteboards, magnetic glass boards, acrylic boards and flipcharts.



MAGNETS AND PINS

The magnet set comprises four neodymium magnets, set in a pinewood casing and nickel-plated. The high-quality, sustainably produced pins have a light-coloured, solid wood head.



CLEANING CLOTH AND BOARD CLEANING SPRAY

The microfibre cloth is the fast way to remove ink and dust from all boards. It holds on both whiteboards and magnetic glass boards due to the integrated magnet. The board cleaning spray removes writing and dirt, leaving the board clean and streak-free.



WOODEN BOARD ERASER

Magnetic board eraser made of light pinewood for the fast dry-erasing of whiteboards and glass boards (incl. a spare pad).



ACCESSORIES FOR ARTVERUM

PENCIL CUP

More organisation on and around the Artverum magnetic glass boards: the anthracite-coloured pencil cup S (for approx. 5 pens) or M (for approx. 10 pens) from the Clip & Organise accessories range keeps everything neat and tidy. The magnetic clip is attached to the side or bottom of the board and the pencil cup is then clicked into place.



STORAGE TRAY

The anthracite-coloured storage tray has plenty of space for all important utensils such as sticky notes, presentation cards, letters or a bunch of keys, as well as all other necessary items for working with a glass board.

The tray is suitable for all standard glass boards (with a thickness of 3-5 mm; excluding the Artverum LED light magnetic glass board) and holds up to 500g in weight.



SUPERDYM MAGNETS

High-quality, strong SuperDym magnets with a choice of holding forces and different shapes and colours. The magnets are integrated into the highly polished aluminium casing.



ACCESSORIES FOR MEET UP

STICKY NOTES

SIGEL sticky notes are indispensable for any meeting, seminar or workshop, as well as for working on whiteboards or pinboards. Thanks to their 80% adhesive surface, they hold securely on all smooth surfaces (including fabric) and do not curl up from the bottom, leaving the whole surface clearly legible. They peel off cleanly without leaving residue.



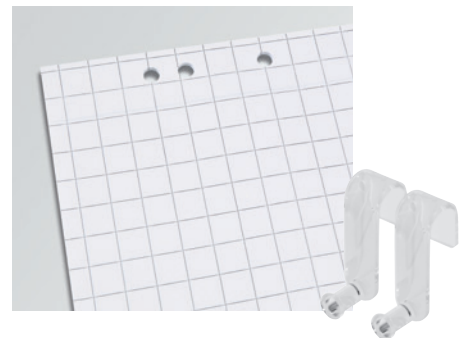
BROWN PAPER

The SIGEL brown paper is designed for presentations and is a practical addition to the Meet up pinboards. Simply pin it directly onto the board. The paper is ideal for writing on. Made of strong brown 80 gsm kraft paper.



FLIPCHART HOOKS & FLIPCHART PAD

The SIGEL flipchart pad provides plenty of space for ideas and planning. It is ideal for hanging onto the mobile, agile pinboards and whiteboards from the Meet up range using the flipchart hooks.



MAGNETS

The SIGEL magnets are the best way to attach presentation cards and papers to metallic, magnetic surfaces such as the Meet up whiteboards or a fridge (not suitable for magnetic glass boards). They are coated underneath to prevent scratching the whiteboard surface.



SIGEL – WORK INSPIRED

Every new development aims to support people who want to make a difference – whether on a small or large scale. SIGEL paves the way for talent. After all, every idea needs a place to grow.

SIGEL is the company that gives shape to ideas.



BP 232 205 EN

SIGEL GmbH

Bäumenheimer Str. 10
86690 Mertingen
Germany

Phone +49 90 78 81-0
kontakt@sigel.de
www.sigel-office.com



sigel-office.com