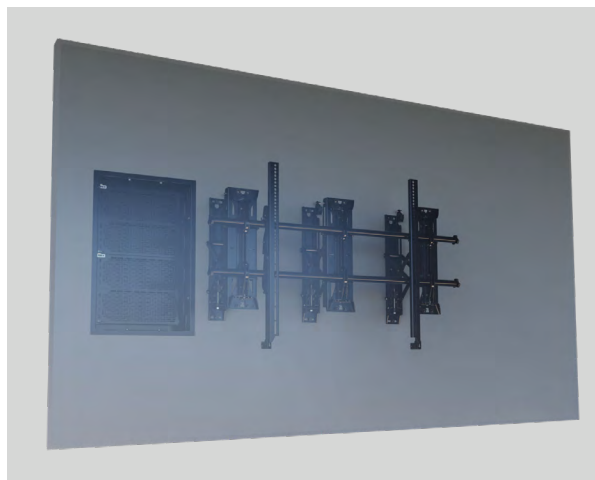


FUSION™ PULL OUT ACCESSORIES

OPTIMIZE LARGE AND EXTRA-LARGE DISPLAY INSTALLS

Optimal for easy servicing of large and extra-large displays, the Fusion™ Pull Out Accessory (**FCAV1U**) and Extra-Large Pull Out Accessory (**FCAXV1U**) offers up to 11.54" (293 mm) of display extension from the wall when paired with Fusion mounts. Great for recessed applications, Fusion Pull Out Accessories feature plumb adjustment and locking mount position for perfect placement of displays.



Fusion Extra-Large Pull Out Accessory with 98" display, XSM1U and PAC527L (display, mount and accessory sold separately)

WHAT'S INCLUDED

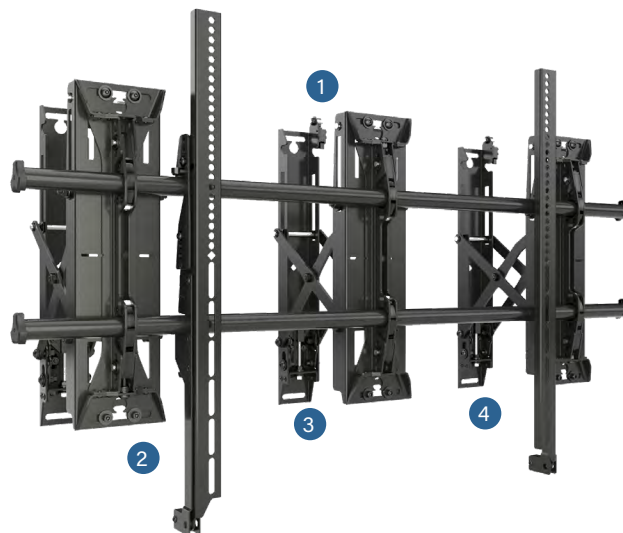


FCAV1U
2x scissor arm assemblies
& hardware



FCAXV1U
3x scissor arm assemblies,
1x wall plate & hardware

- 1 Screw Driven Retainer Latch
- 2 Wall to display: 11.75" (293 mm) from wall to mount interface brackets
- 3 Scissor Extension: 9.5" (240 mm) from wall
- 4 Plum Adjust Screw: max down 0.5° max up 2°



LEGRAND | AV COMMERCIAL BRANDS

C2G | Chief | Da-Lite | Luxul | Middle Atlantic | Vaddio | Wiremold

FUSION™ PULL OUT ACCESSORIES

Concealing AV components and accessories behind displays also improves aesthetics. Install Chief Proximity® storage solutions such as the **PAC527L** in-wall box or on-wall **CSPR** component storage panel to secure AV equipment behind the display.

FCAV1U is compatible with display mount models: **MSM1U**, **LSM1U**, **XSM1U**, **MTM1U**, **LTM1U**, **XTM1U** and **MTMP1U**.
FCAXV1U is compatible with display mount models: **XSM1U** and **XTM1U**.

FEATURES

- Up to 11.54" (293 mm) extension when combined with Fusion mount - great for recessed applications
- Scissor assembly extends out 9.5"
- Plumb adjustment to keep display in line with the wall
- Screw driven retainer latch to secure mount in home position
- UL Listed

WATCH THE VIDEO 



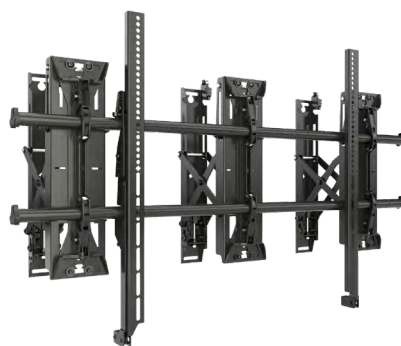
FCAV1U WEIGHT CAPACITY

MOUNTING SUBSTRATE	WITH MSM1U, MTM1U, MTMP1U* (LBS)	WITH LSM1U, LTM1U (LBS)	WITH XTM1U, XSM1U (LBS)
16" on center 2" x 4" wood studs with max. 5/8" drywall	125	NA	NA
16" or 24" on center 2" x 4" wood studs with max. 5/8" drywall	NA	150	NA
24" or 32" on center 2" x 4" wood studs with max. 5/8" drywall	NA	NA	150
Bare 8" concrete wall	125	150	150
8"x8"x16" concrete block wall	125	150	150

*MTMP1U has a weight capacity of 125 lbs when mounted to single 2"x4" wood stud; 150 lbs when mounted to double 2"x4" wood studs



FCAV1U (shown with LTM1U mount, sold separately)



FCAXV1U (shown with XSM1U mount, sold separately)

FCAXV1U WEIGHT CAPACITY

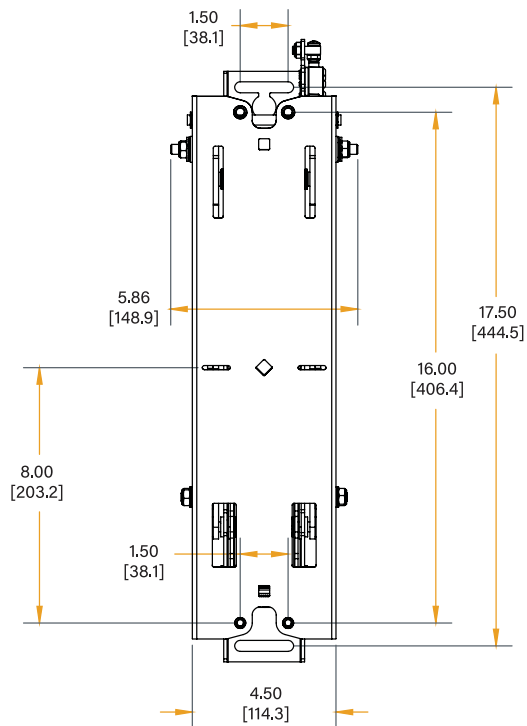
MOUNTING SUBSTRATE	WITH XTM1U	WITH XSM1U
Triple 16" on center steel studs	200 lbs. (90 kg)	200 lbs. (90 kg)
Triple 16" on center wood studs	250 lbs. (113 kg)	200 lbs. (90 kg)
3/4" plywood backed steel studs	250 lbs. (113 kg)	200 lbs. (90 kg)
Solid concrete block	250 lbs. (113 kg)	200 lbs. (90 kg)
Hollow concrete block	250 lbs. (113 kg)	200 lbs. (90 kg)

LEGRAND | AV COMMERCIAL BRANDS

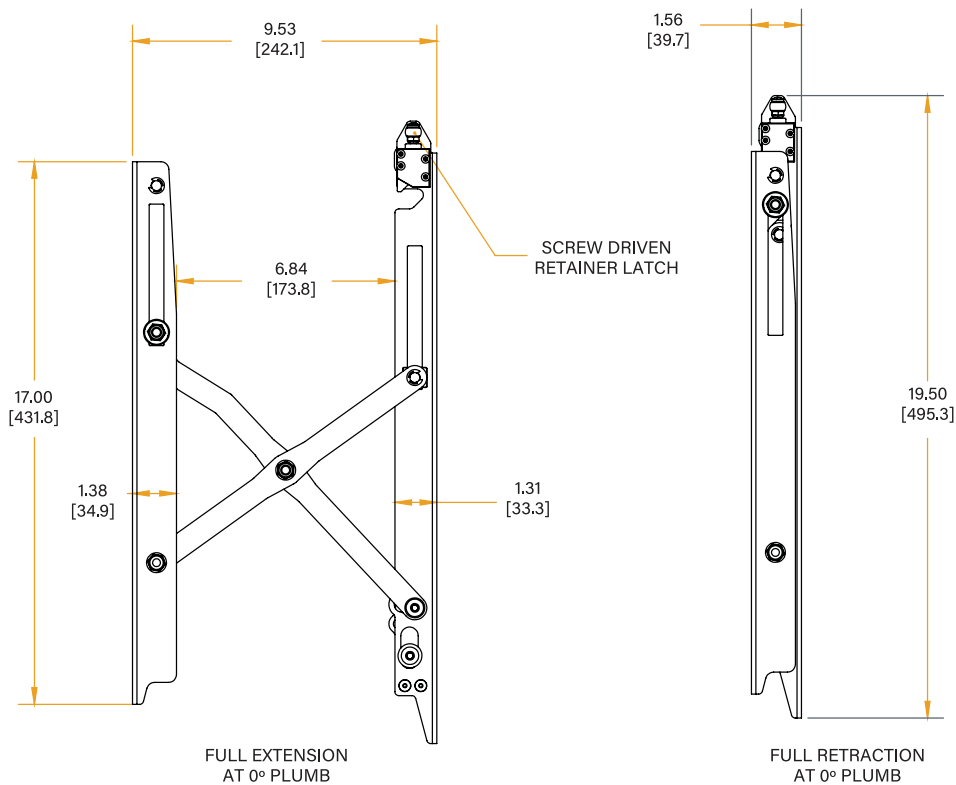
C2G | Chief | Da-Lite | Luxul | Middle Atlantic | Vaddio | Wiremold

FCAV1U

FUSION LARGE PULL OUT ACCESSORY



FCAV1U INCLUDES TWO ASSEMBLIES



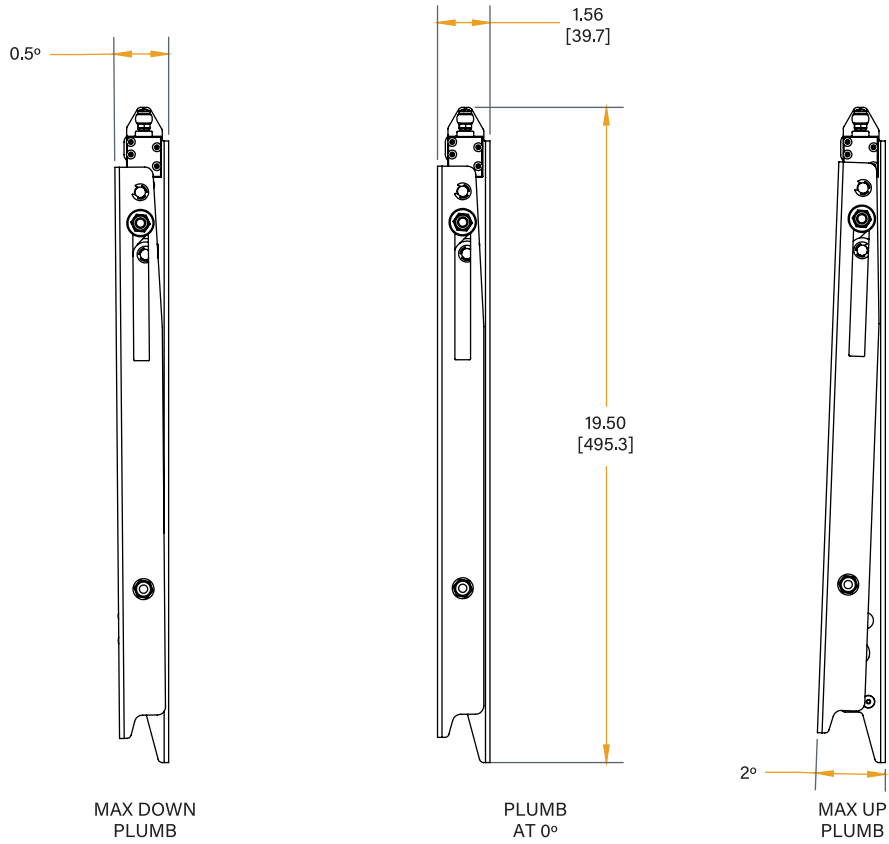
Measurements within brackets [xx.xx] are mm, measurements outside of brackets are inches.

LEGRAND | AV COMMERCIAL BRANDS

C2G | Chief | Da-Lite | Luxul | Middle Atlantic | Vaddio | Wiremold

FCAV1U

FUSION LARGE PULL OUT ACCESSORY



Measurements within brackets [xx.xx] are mm,
measurements outside of brackets are inches.

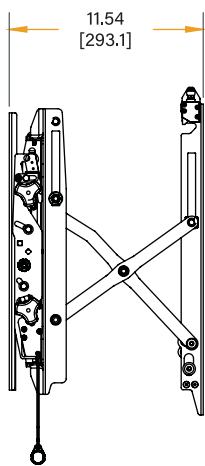
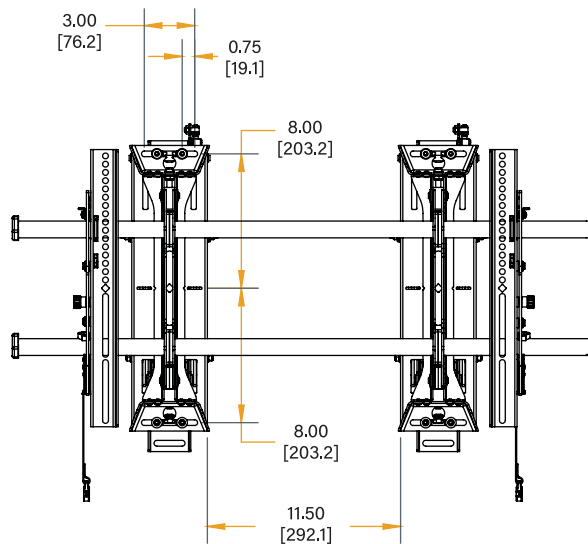
LEGRAND | AV COMMERCIAL BRANDS

C2G | Chief | Da-Lite | Luxul | Middle Atlantic | Vaddio | Wiremold

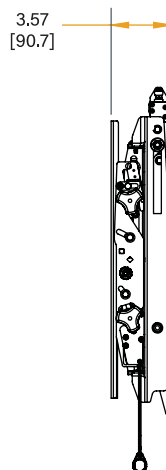
FCAV1U

FUSION LARGE PULL OUT ACCESSORY

SHOWN WITH
LATERAL SHIFT ON CENTER



FULL EXTENSION AT
0° PLUMB WITH LTM1U
(SOLD SEPARATELY)



FULL RETRACTION AT
0° PLUMB WITH LTM1U
(SOLD SEPARATELY)

Measurements within brackets [xx.xx] are mm,
measurements outside of brackets are inches.

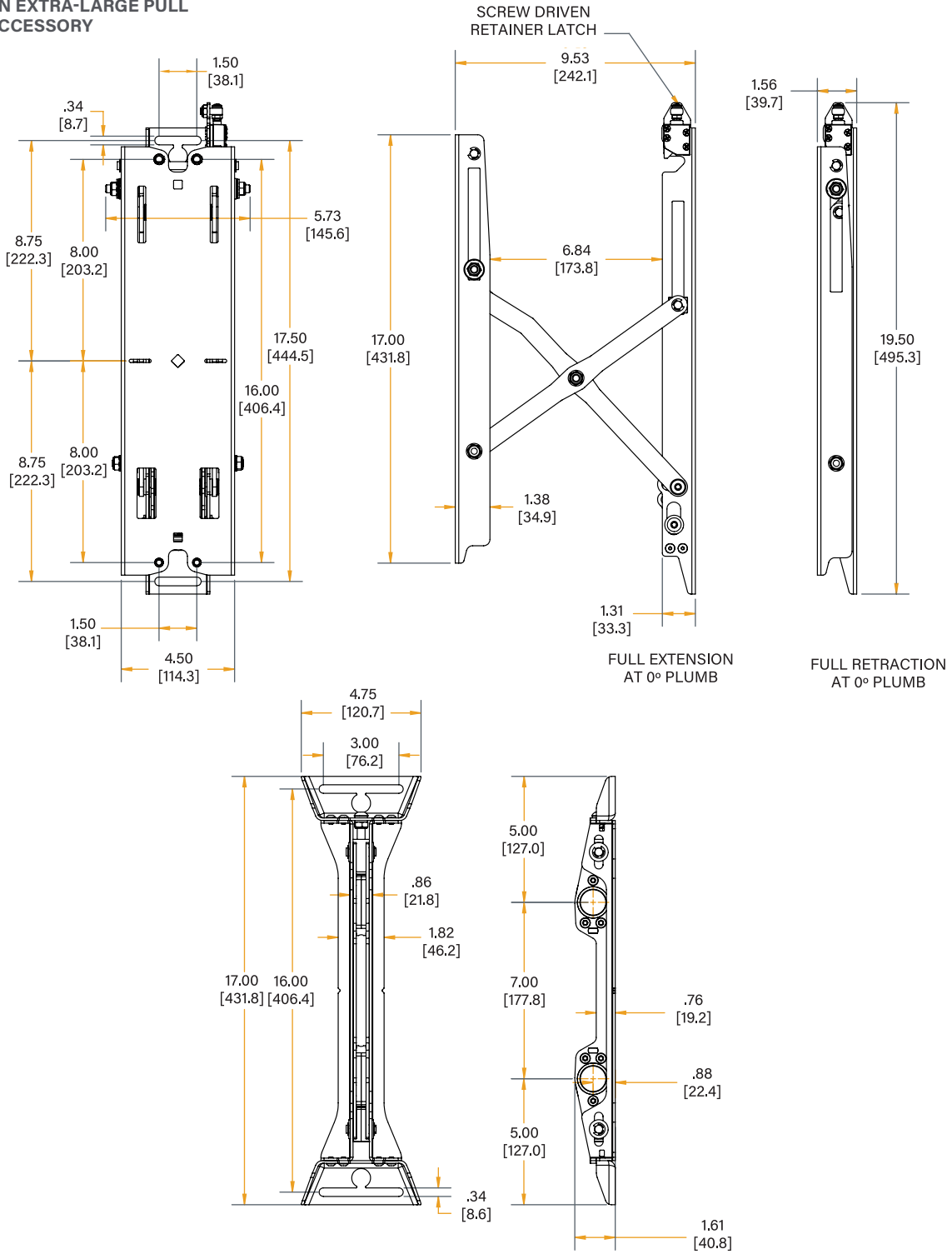
LEGRAND | AV COMMERCIAL BRANDS

C2G | Chief | Da-Lite | Luxul | Middle Atlantic | Vaddio | Wiremold

FCAXV1U

FCAXV1U CONTAINS THREE SCISSORS ASSEMBLIES AND ONE FUSION WALL ASSEMBLY

FUSION EXTRA-LARGE PULL OUT ACCESSORY



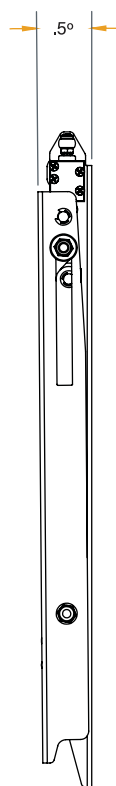
Measurements within brackets [xx.xx] are mm, measurements outside of brackets are inches.

LEGRAND | AV COMMERCIAL BRANDS

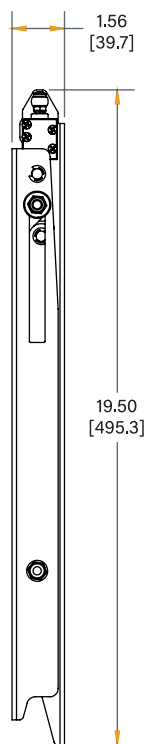
C2G | Chief | Da-Lite | Luxul | Middle Atlantic | Vaddio | Wiremold

FCAXV1U

FUSION EXTRA-LARGE PULL OUT ACCESSORY



MAX DOWN
PLUMB



PLUMB
AT 0°



MAX UP
PLUMB

Measurements within brackets [xx.xx] are mm,
measurements outside of brackets are inches.

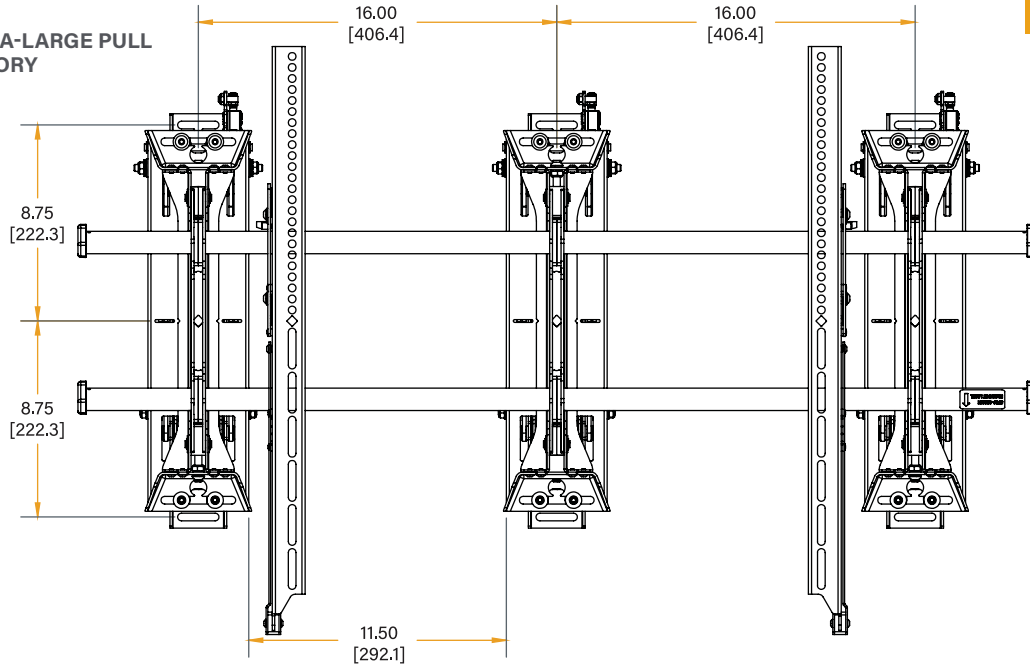
LEGRAND | AV COMMERCIAL BRANDS

C2G | Chief | Da-Lite | Luxul | Middle Atlantic | Vaddio | Wiremold

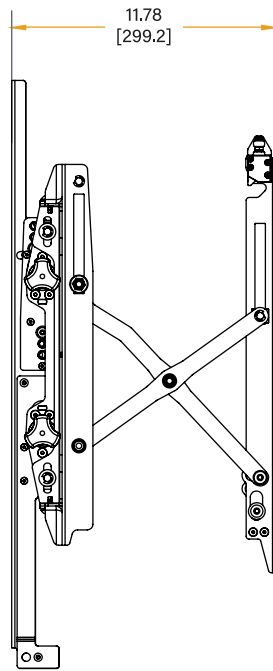
FCAXV1U

FUSION EXTRA-LARGE PULL OUT ACCESSORY

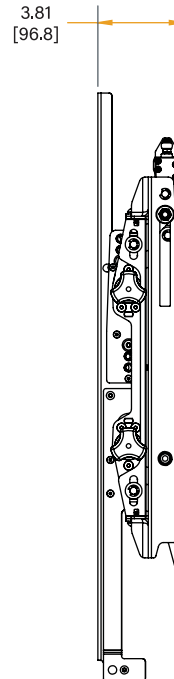
SHOWN WITH LATERAL
SHIFT ON CENTER



SHOWN WITH XSM1U
(SOLD SEPARATELY)



FULL EXTENSION AT
0° PLUMB WITH XSM1U
(SOLD SEPARATELY)



FULL RETRACTION AT
0° PLUMB WITH XSM1U
(SOLD SEPARATELY)

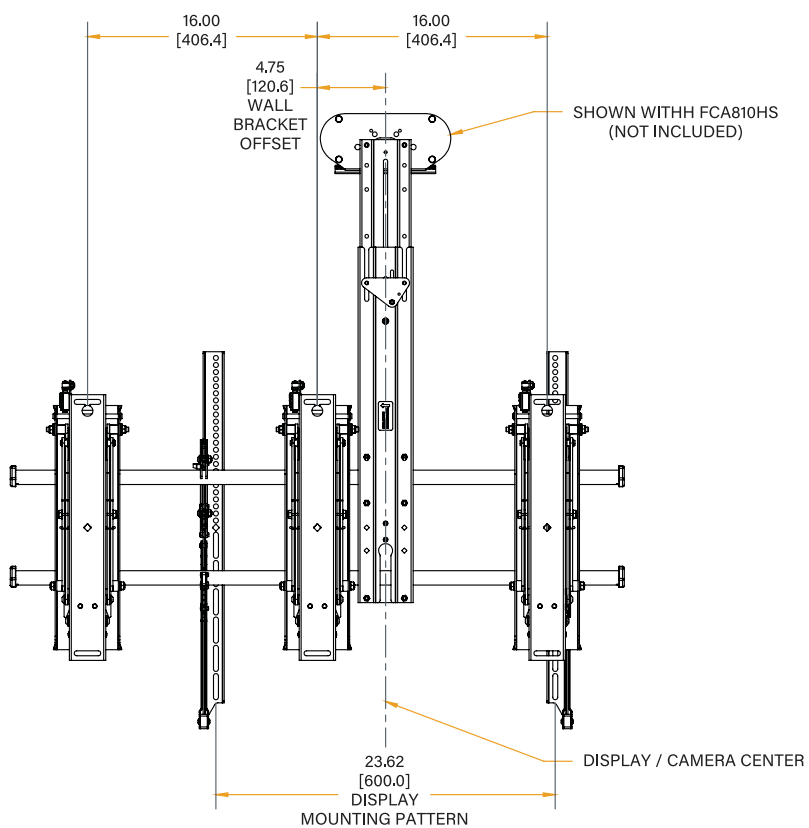
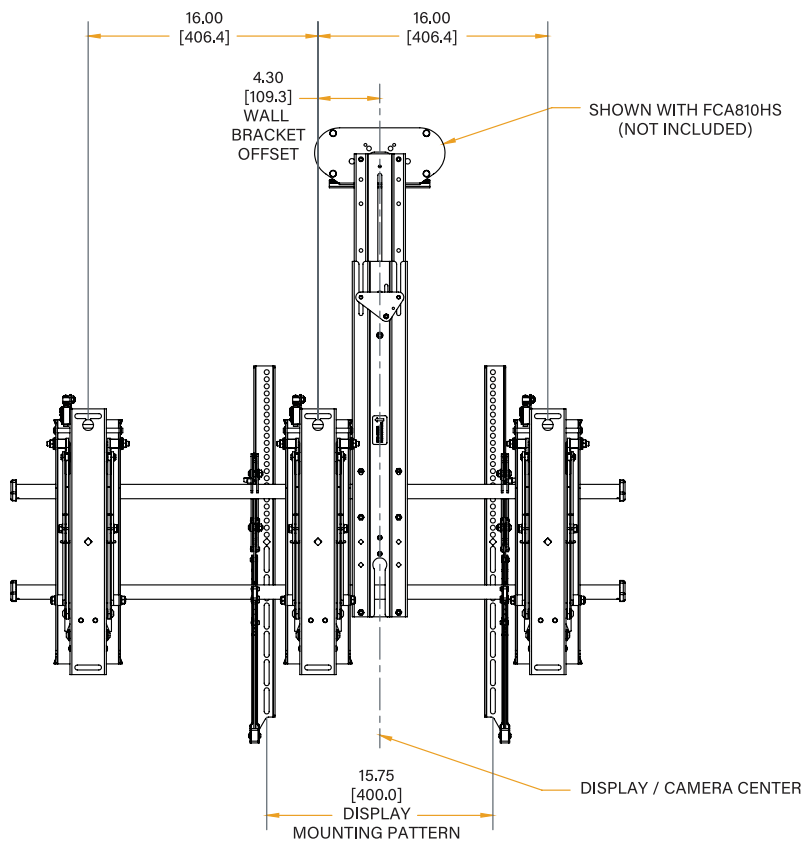
Measurements within brackets [xx.xx] are mm,
measurements outside of brackets are inches.

LEGRAND | AV COMMERCIAL BRANDS

C2G | Chief | Da-Lite | Luxul | Middle Atlantic | Vaddio | Wiremold

FCAXV1U

FUSION EXTRA-LARGE PULL OUT ACCESSORY



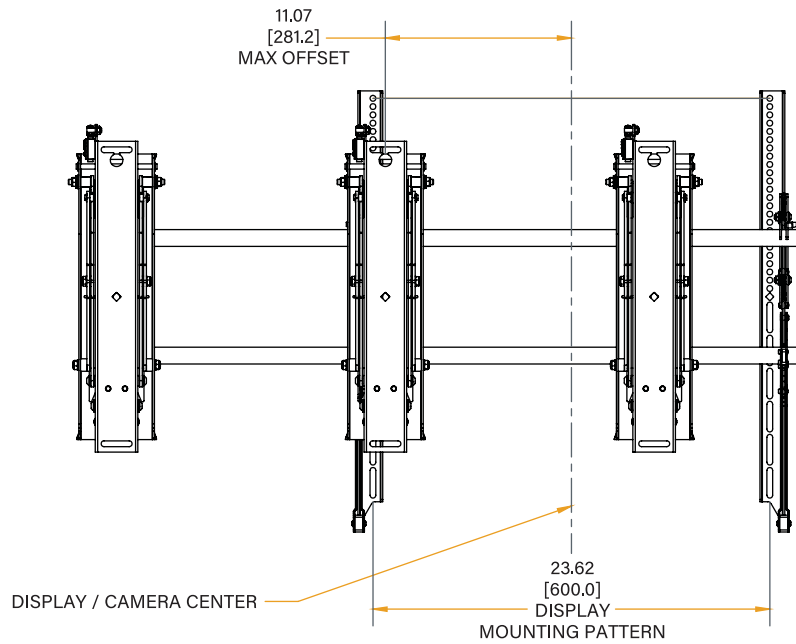
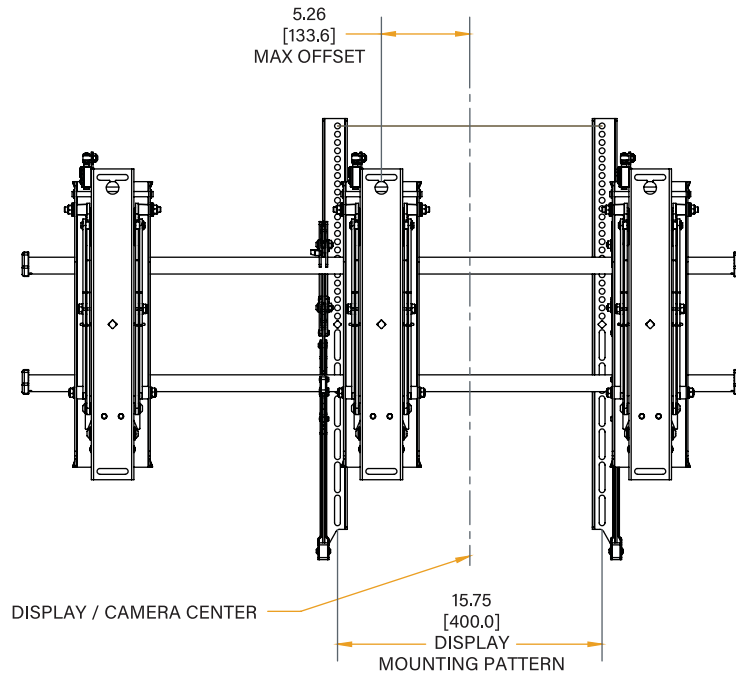
Measurements within brackets [xx.xx] are mm, measurements outside of brackets are inches.

LEGRAND | AV COMMERCIAL BRANDS

C2G | Chief | Da-Lite | Luxul | Middle Atlantic | Vaddio | Wiremold

FCAXV1U

FUSION EXTRA-LARGE PULL OUT ACCESSORY



Measurements within brackets [xx.xx] are mm,
measurements outside of brackets are inches.

LEGRAND | AV COMMERCIAL BRANDS

C2G | Chief | Da-Lite | Luxul | Middle Atlantic | Vaddio | Wiremold

INSTALLER INSPIRED | legrandav.com

USA 866.977.3901 av.chief.support@legrand.com CANADA 877.345.4329 av.chief.canada@legrand.com

EMEA +31 495 580 840 av.emea.sales@legrand.com APAC +852 2145 4099 av.asia.sales@legrand.com

©2021 Legrand AV Inc. 200412 Rev A 6/21 Chief is a registered trademark of Legrand AV Inc. All other brand names or marks are used for identification purposes and are trademarks of their respective owners. All patents are protected under existing designations. Other patents pending.