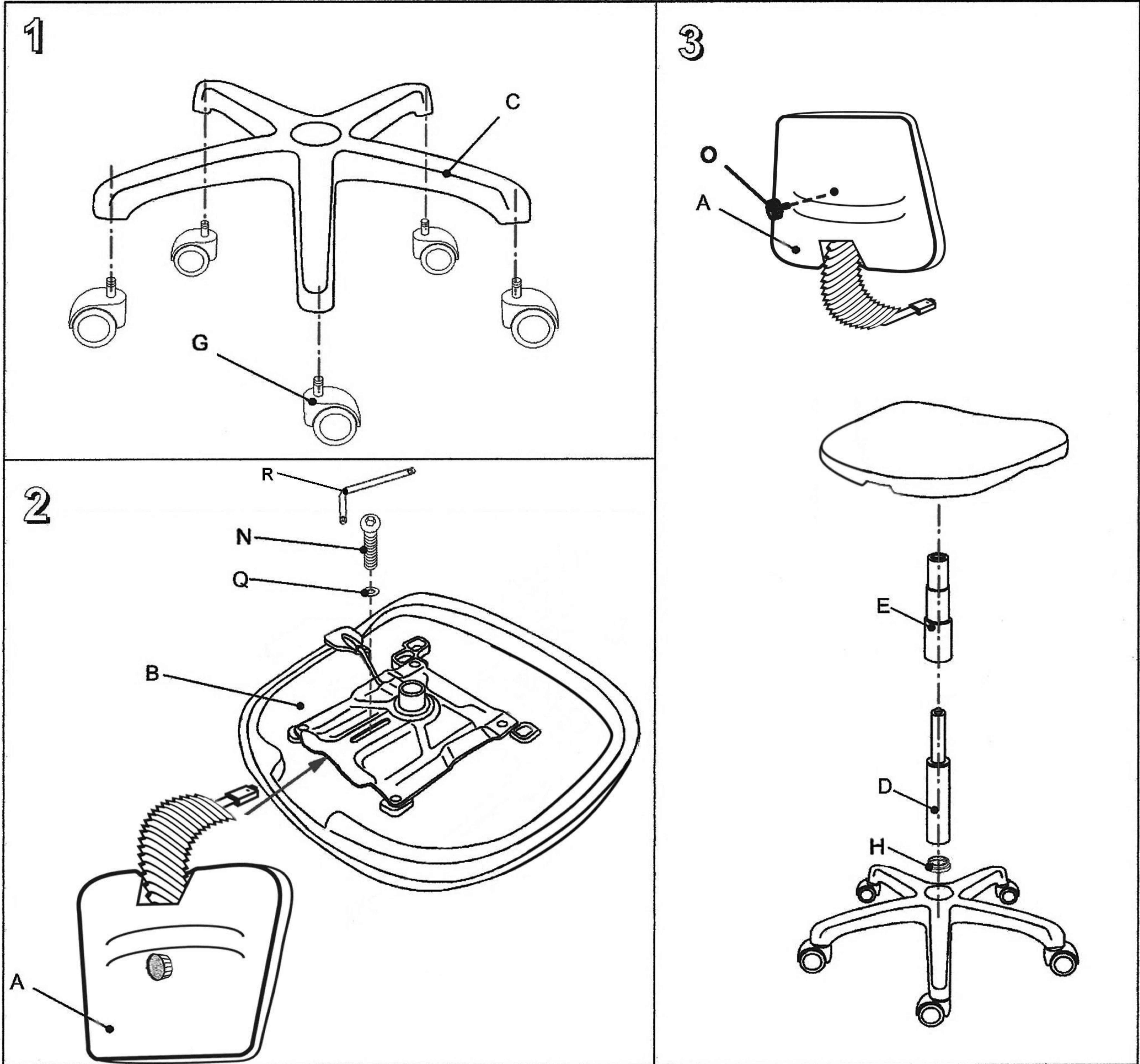




## ERGO BLASTER



A	B	C	D	E	
x1	x1	x1	x1	x1	
G	H	N	O	Q	R
x5	x1	x2	x1	x1	x1

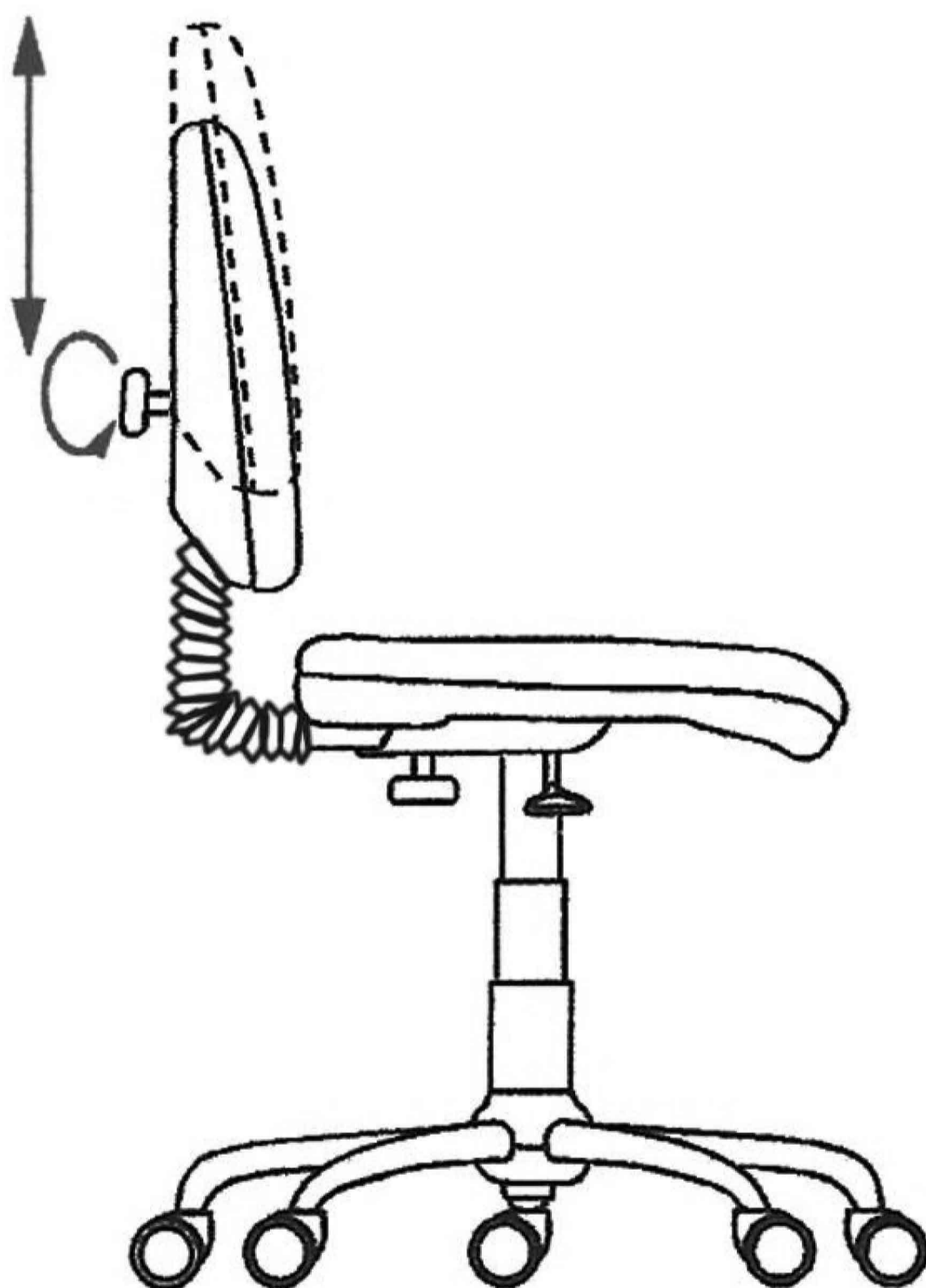
This part is attached to the bottom of 'E'

To ensure chair is 'tamper resistant' use the second 'N' bolt in place of the 'O' hand wheel

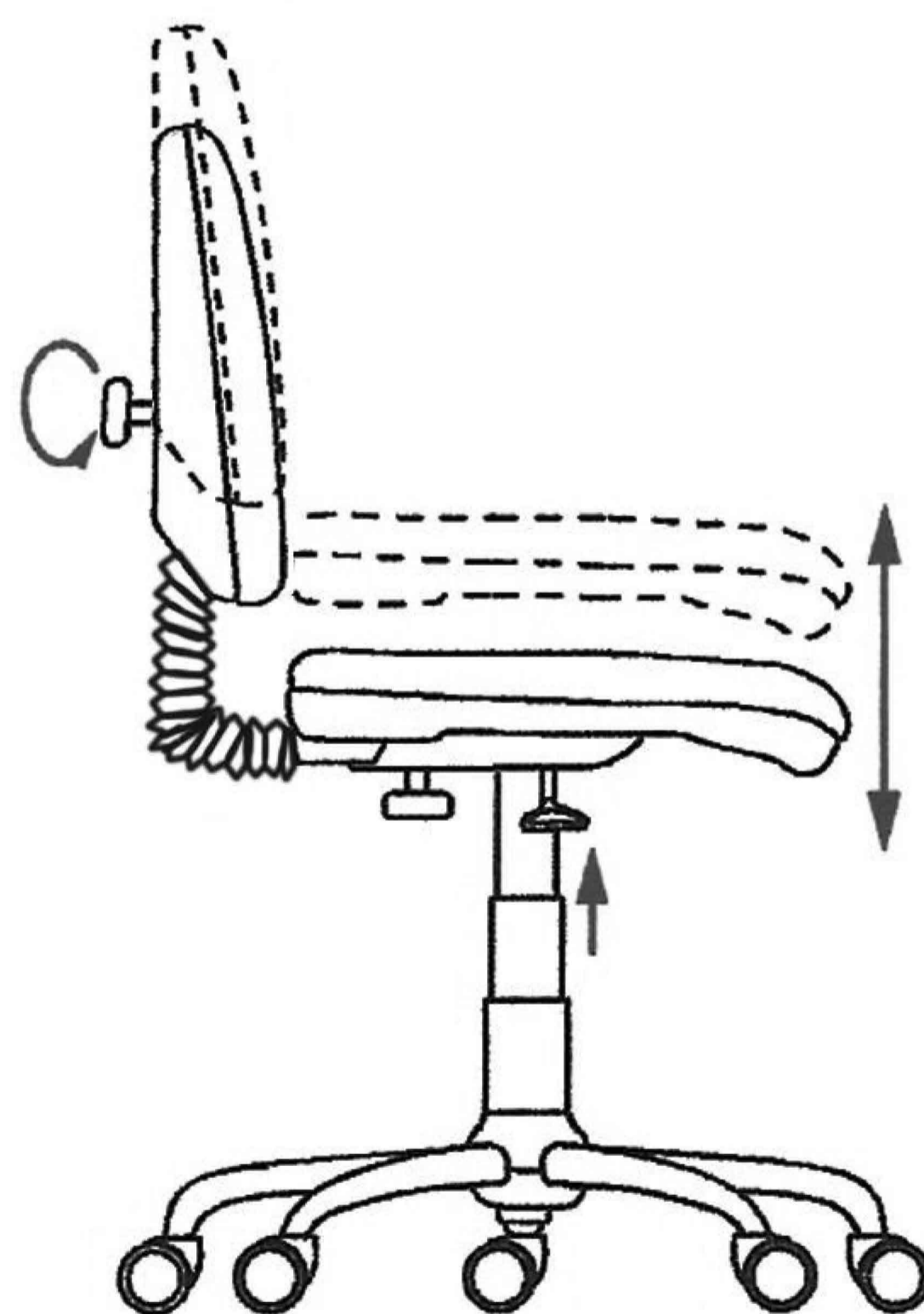
Please do not throw away the packaging until you are completely satisfied with the chair.  
 All returns must be made in original packaging.



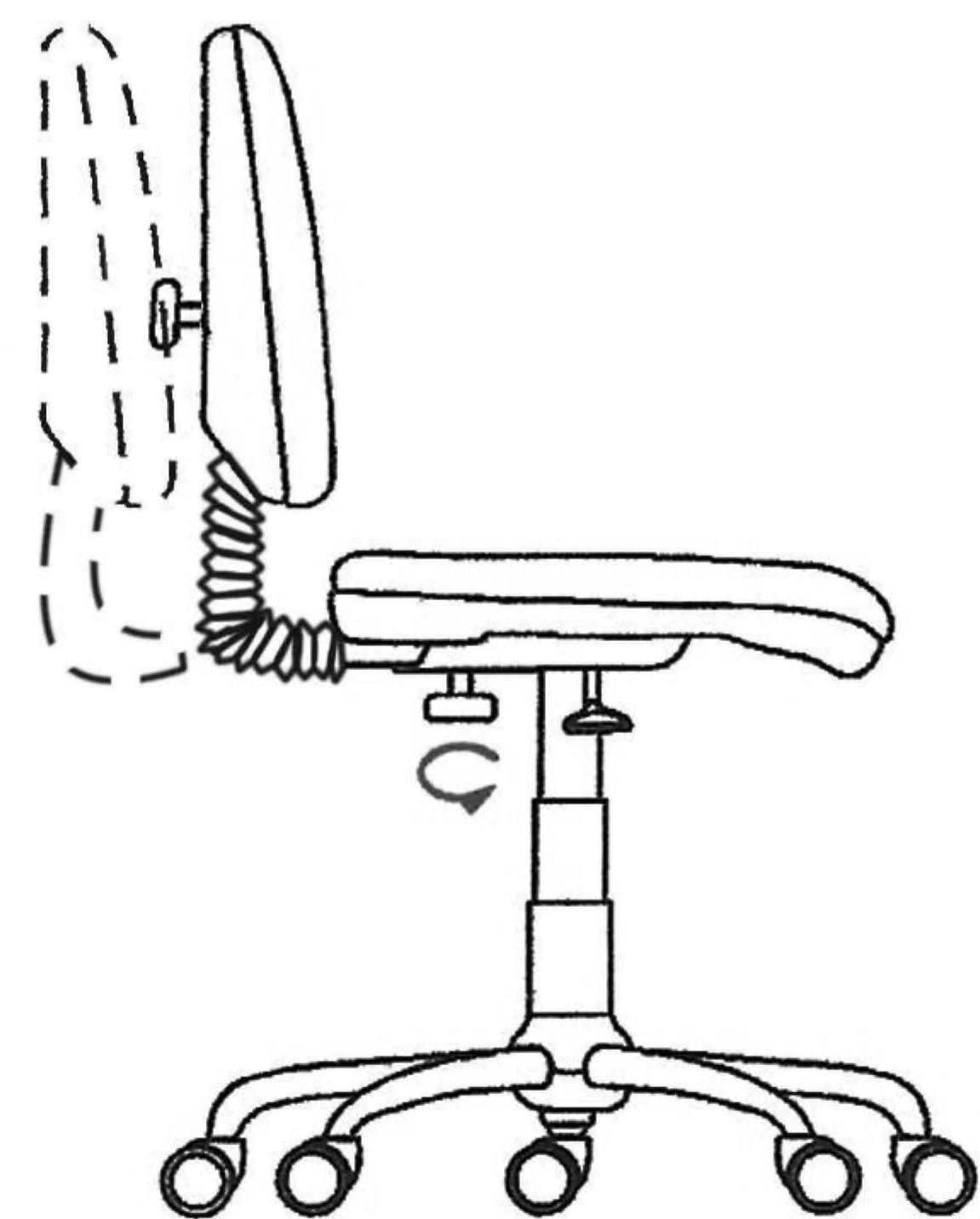
## ERGO BLASTER



Altezza schienale  
Höhenverstellung der Rücken  
Règlage hauteur du dossier  
Height adjustment of the back



Altezza seduta  
Höhenverstellung dem Sitz  
Règlage hauteur du siège  
Height adjustment of the seat



Regolazione schienale  
Rücken vor und zurück  
Règlage du dossier d'avant en arrière  
Back and forth adjustment of the back