

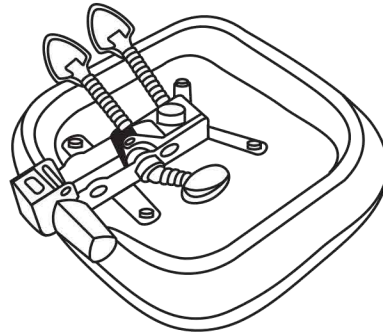
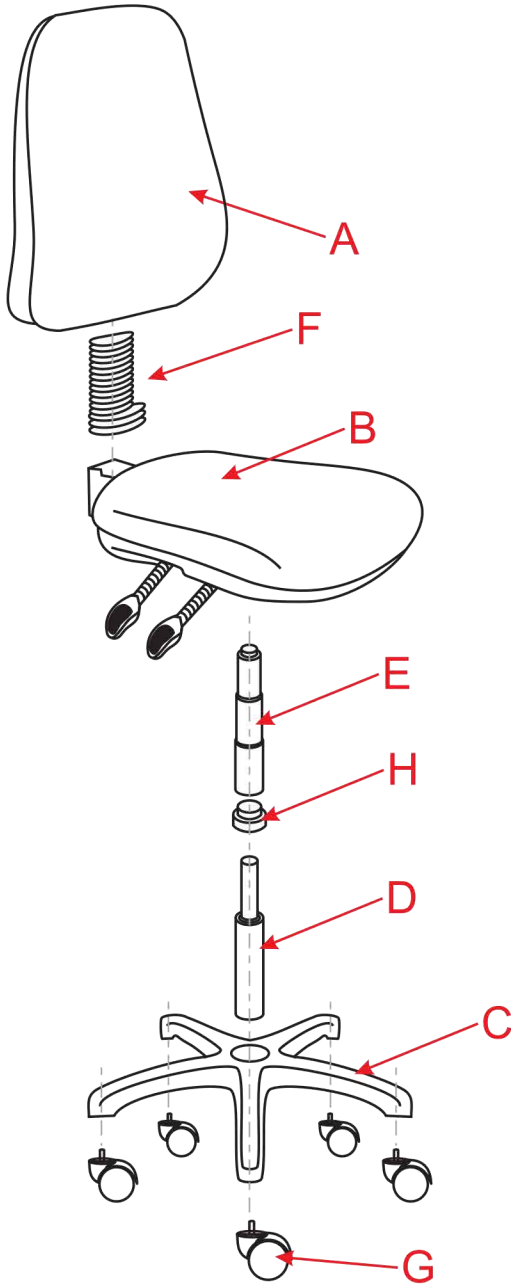
TEKNIK OFFICE LTD.

Phone: 01234 328804

Fax: 01234 342446

E-mail: CustomerService@teknikoffice.co.uk

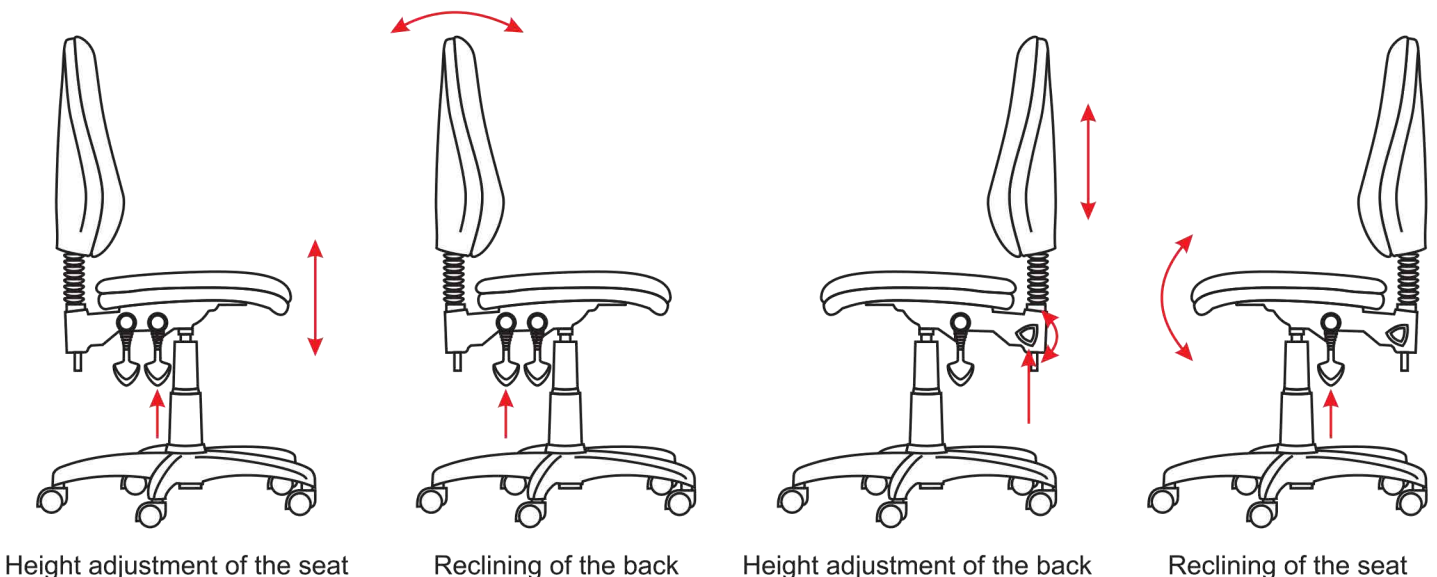
ASSEMBLY INSTRUCTION PRACTICA



A	x1	B	x1	C	x1

D	x1	E	x1	F	x1	G	x5	H	x1

OPERATING INSTRUCTION



Height adjustment of the seat

Reclining of the back

Height adjustment of the back

Reclining of the seat