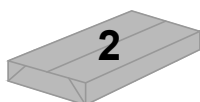
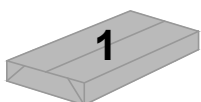
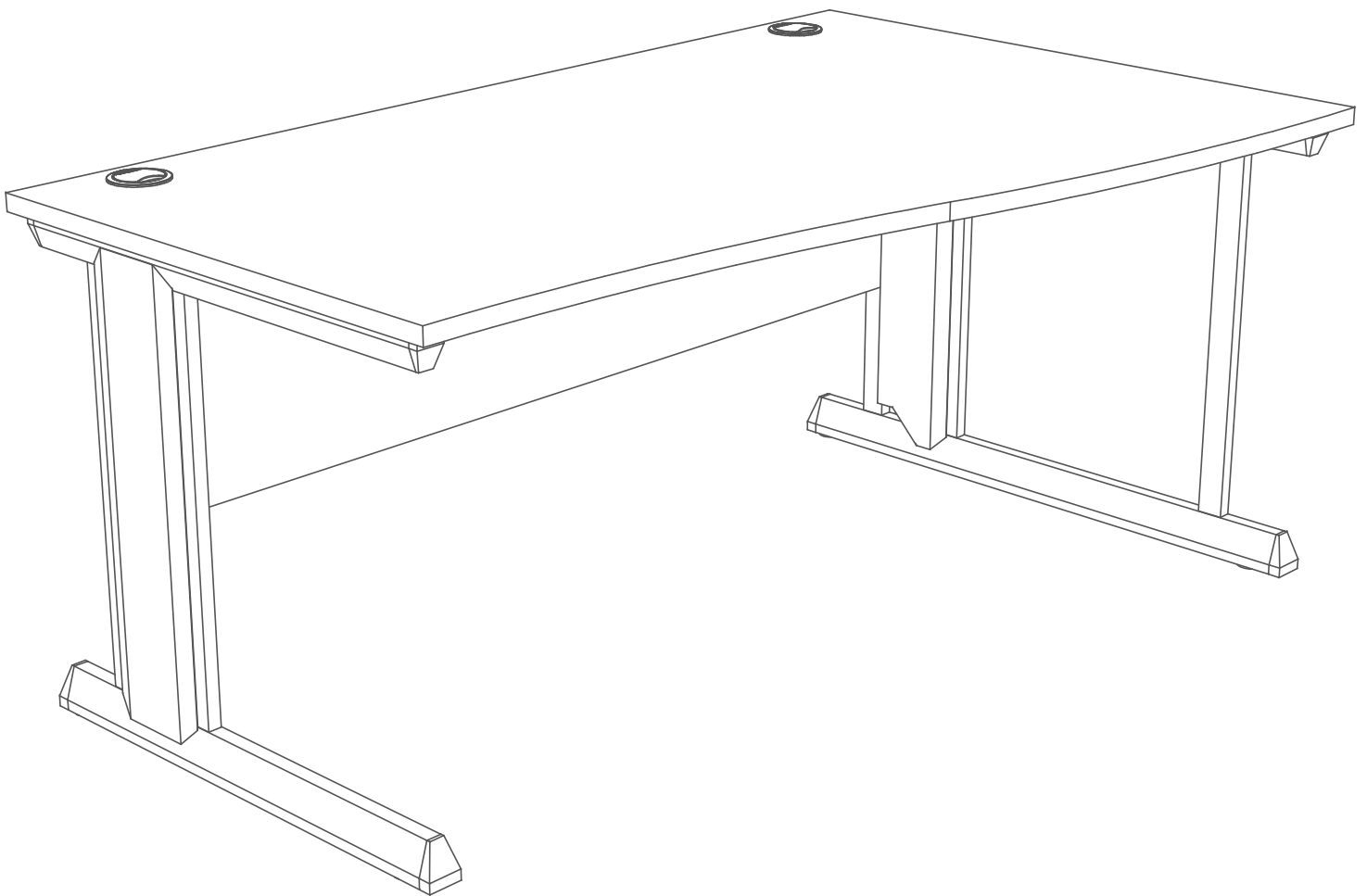
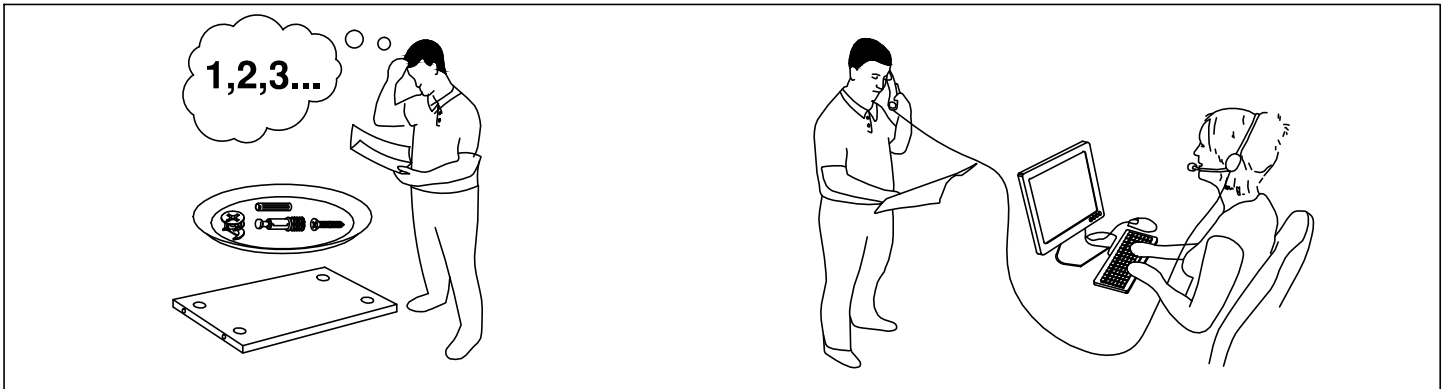
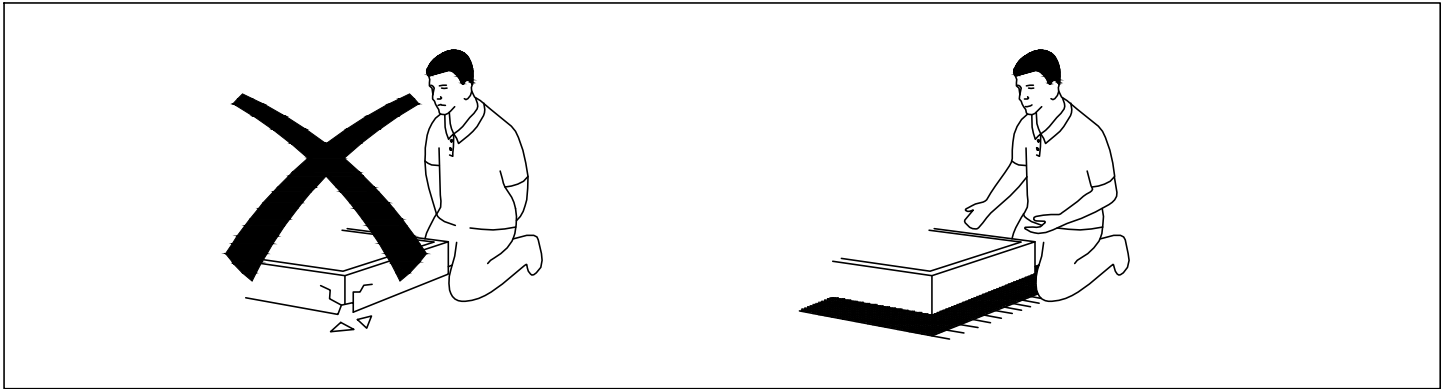
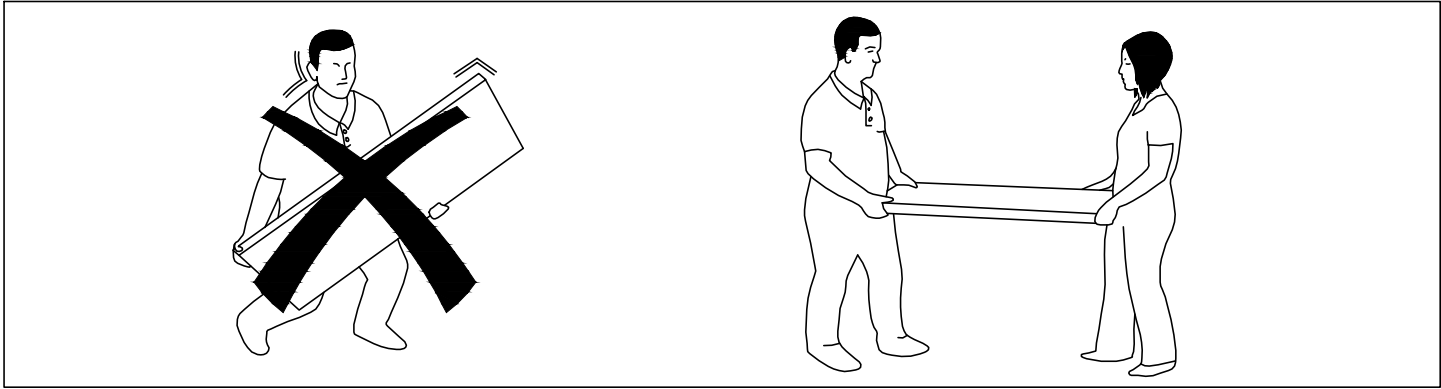
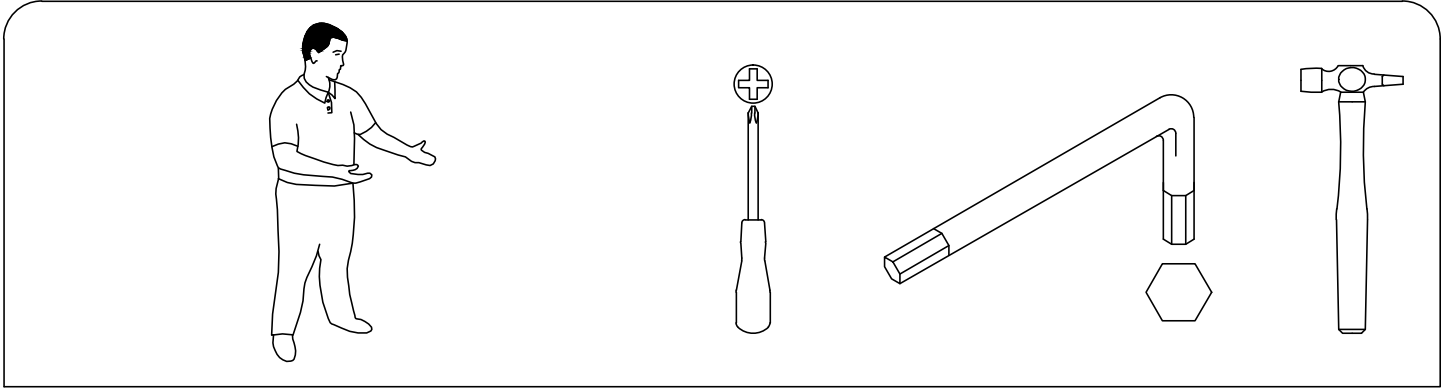


VIVO II Wave Desk (V2WL)

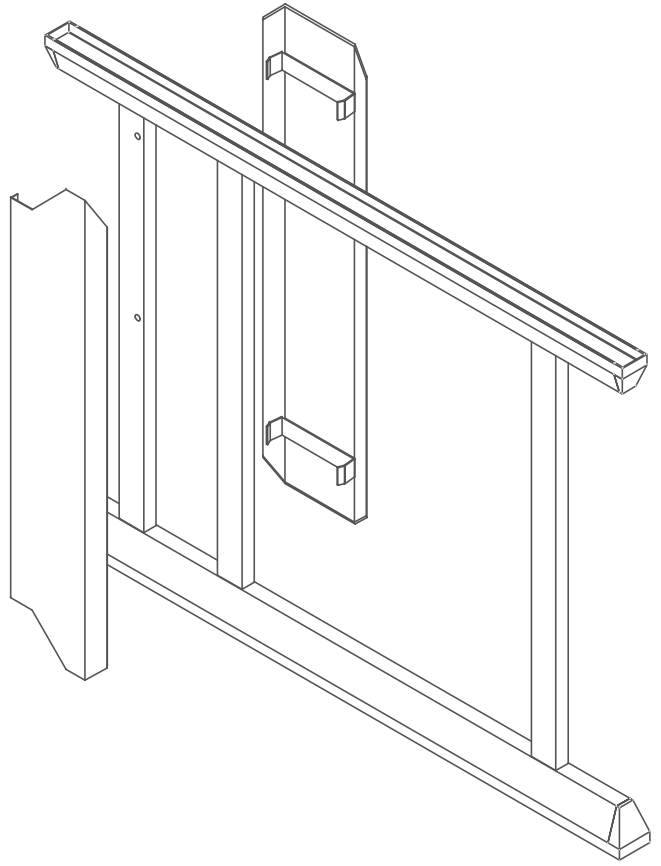
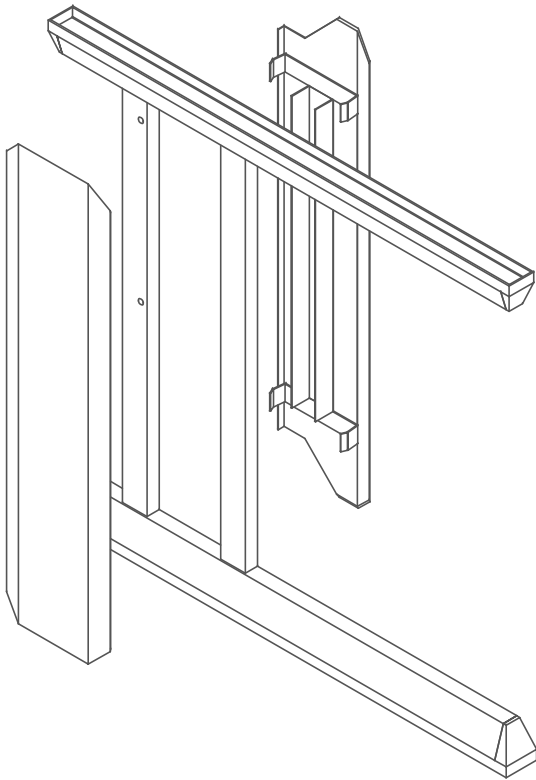
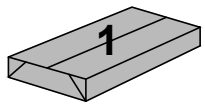
VWL12 / 14 / 16

VWR12 / 14 / 16

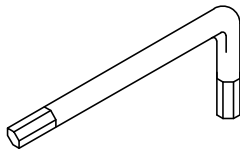




**Before disposing of any packaging
Please check that you have all the fittings!**



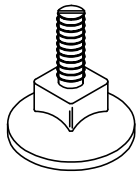
1 4mm Allen Key
RM-ALK01



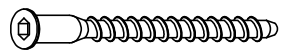
4 Nylon M6x10 Socket
RM-PAR05



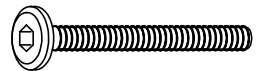
4 Adjustable Foot Dia 38mm
RM-FRL20



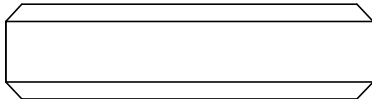
4 Confirmat Screw 70mm (Silver)
RM-CFM04



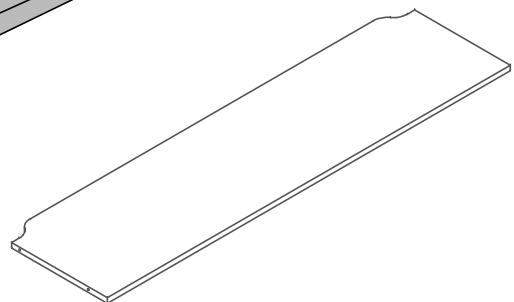
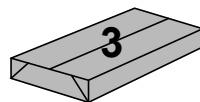
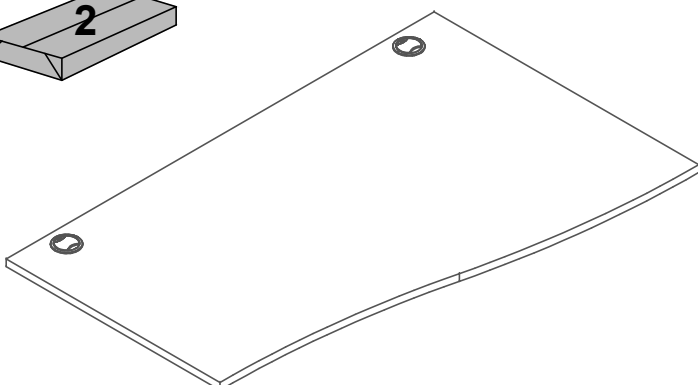
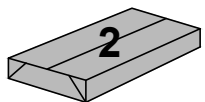
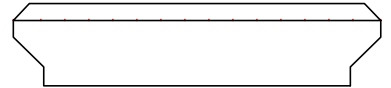
4 Connect Bolt M6x55mm
RM-BLT37



2 Outer Leg Cover
RM-LCV01

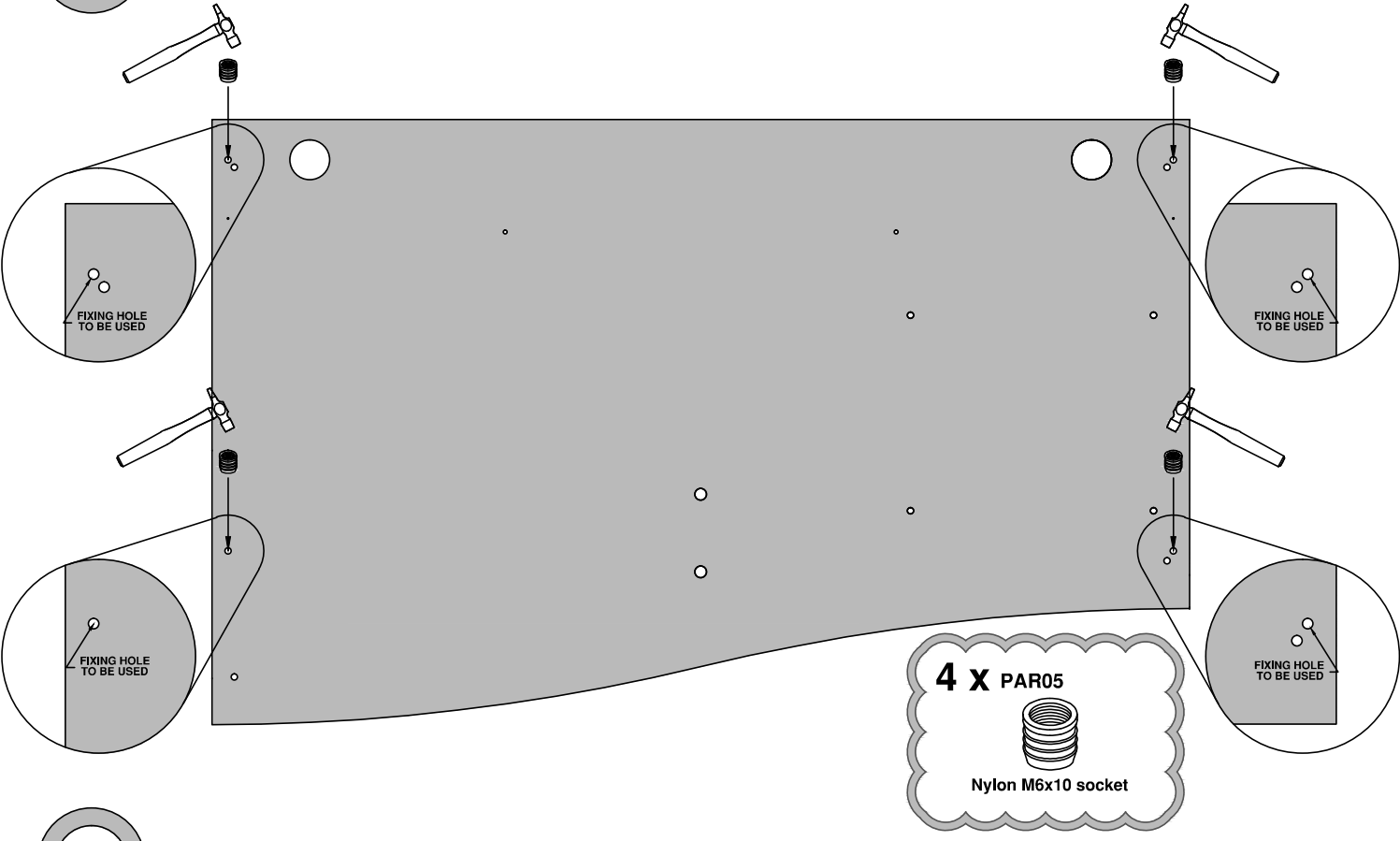


2 Inner Leg Cover
RM-LCV02

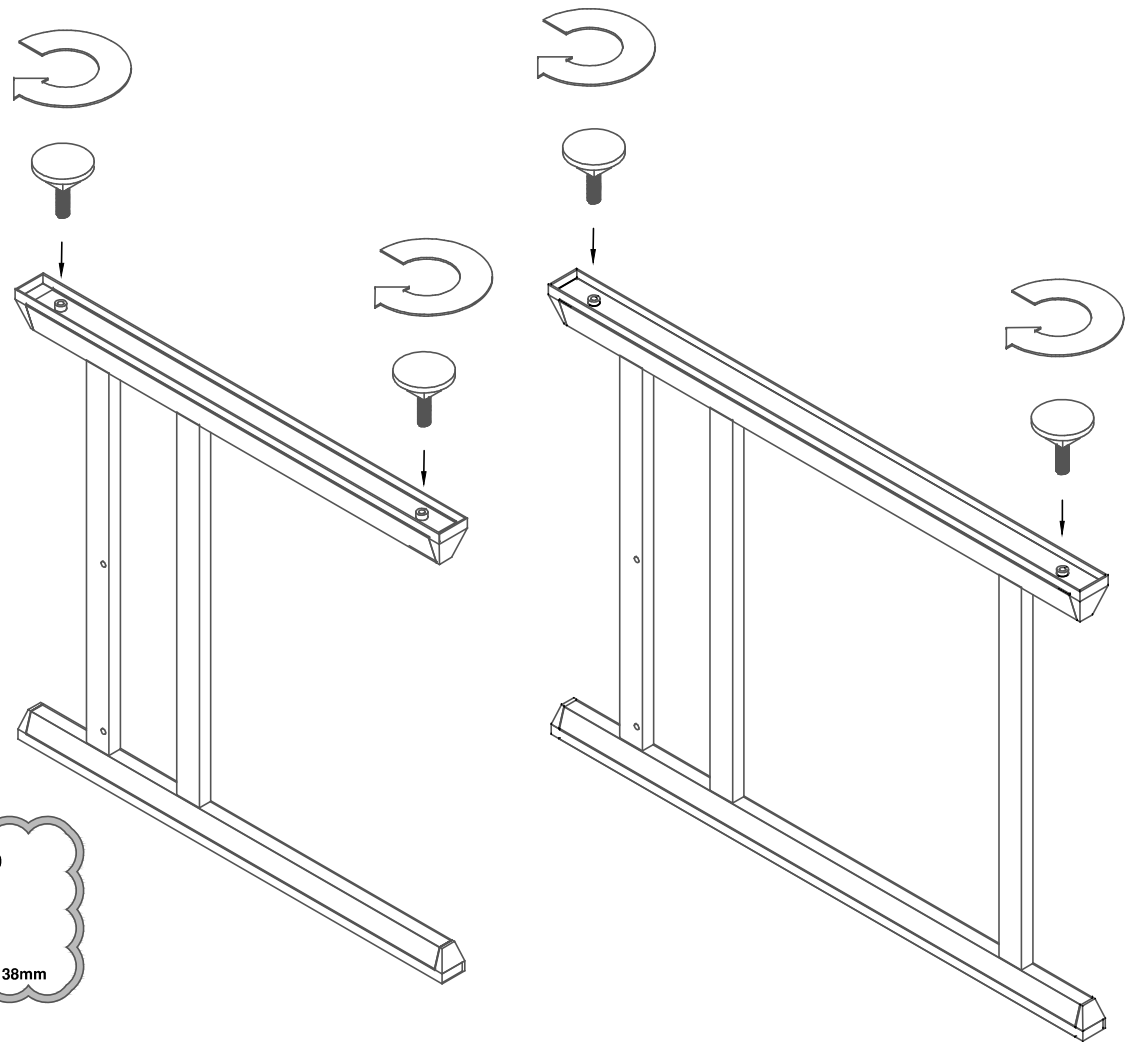


CABLE PORTS SUPPLIED WITH DESK TOP

1

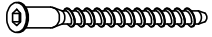


2

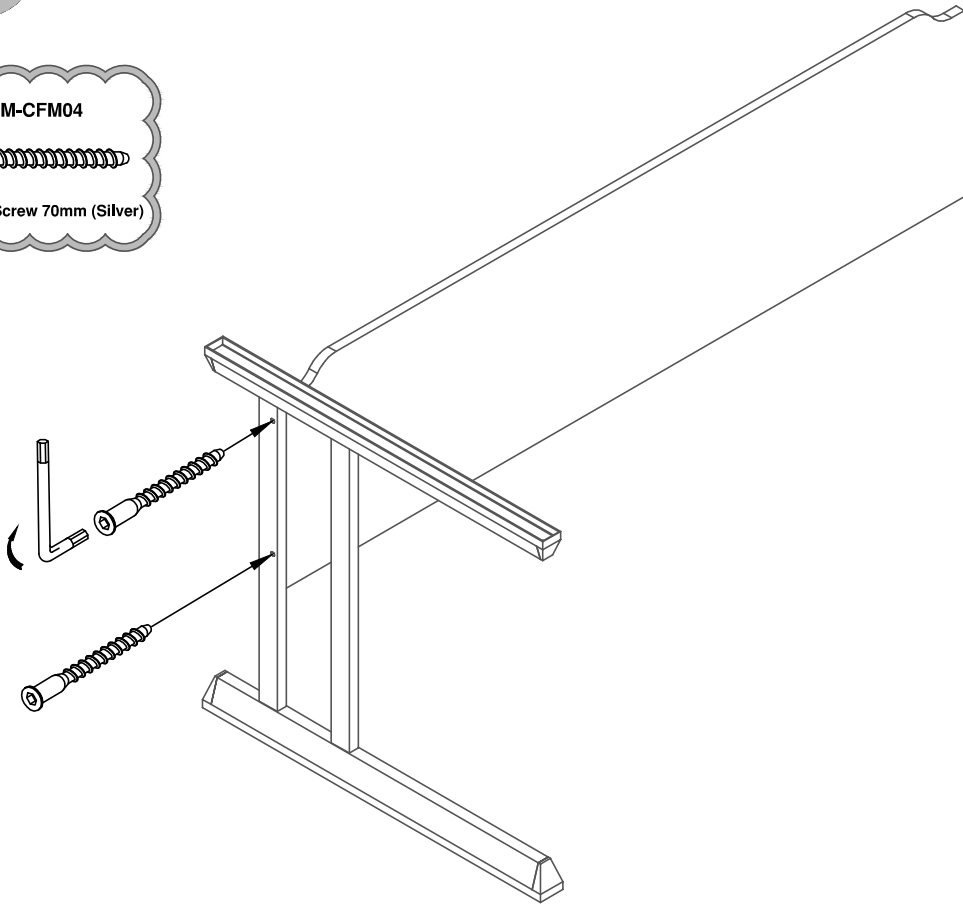


3

2 X RM-CFM04



Confirmat Screw 70mm (Silver)

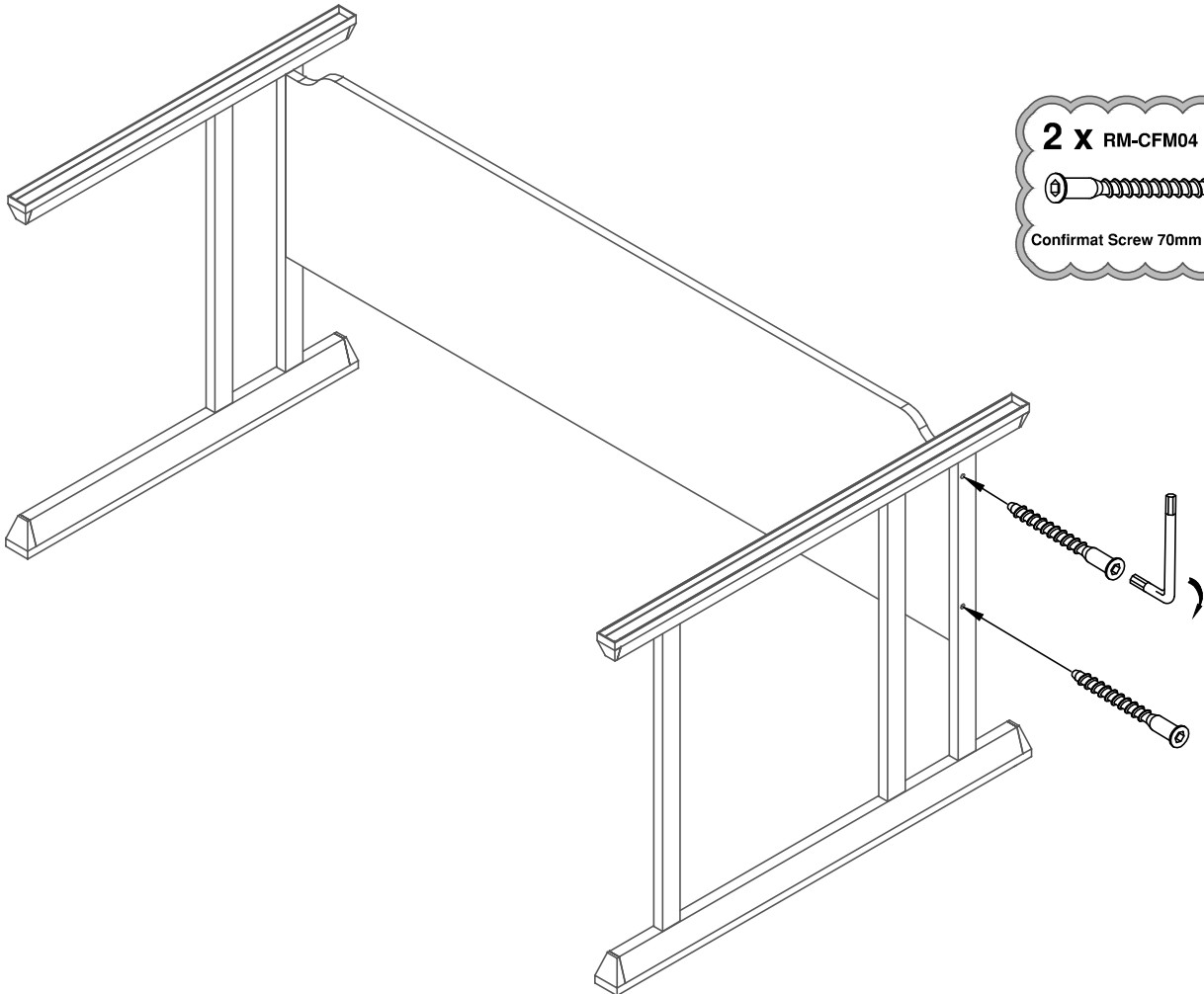


4

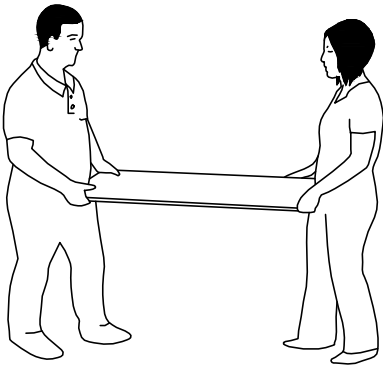
2 X RM-CFM04



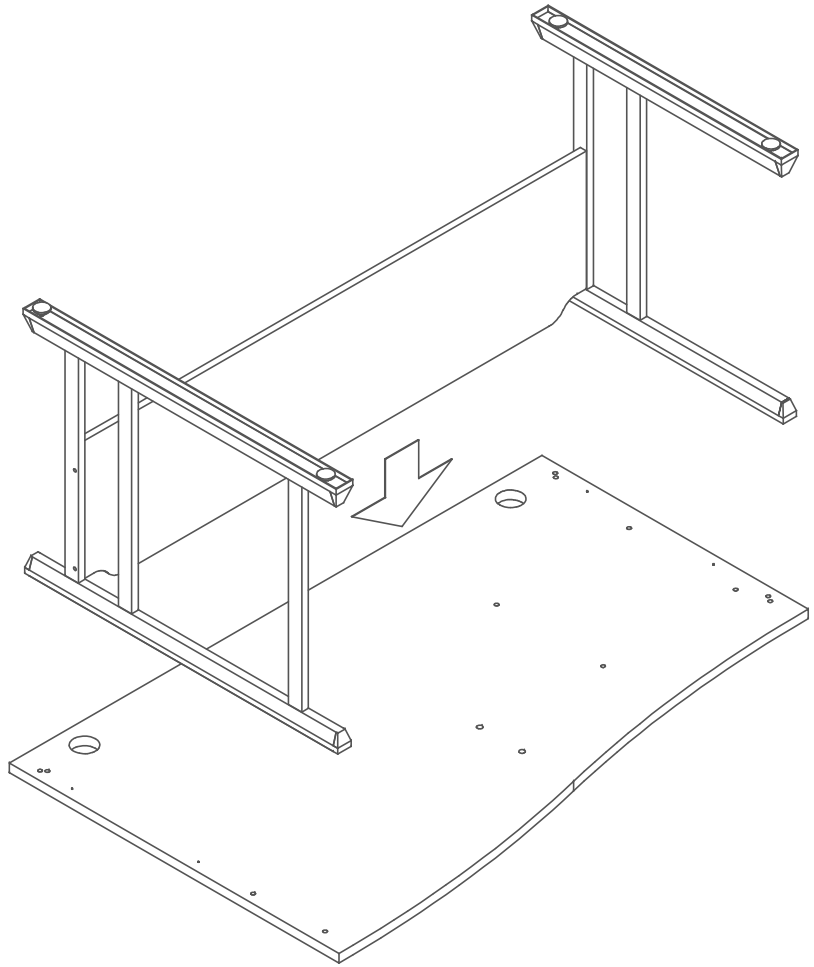
Confirmat Screw 70mm (Silver)



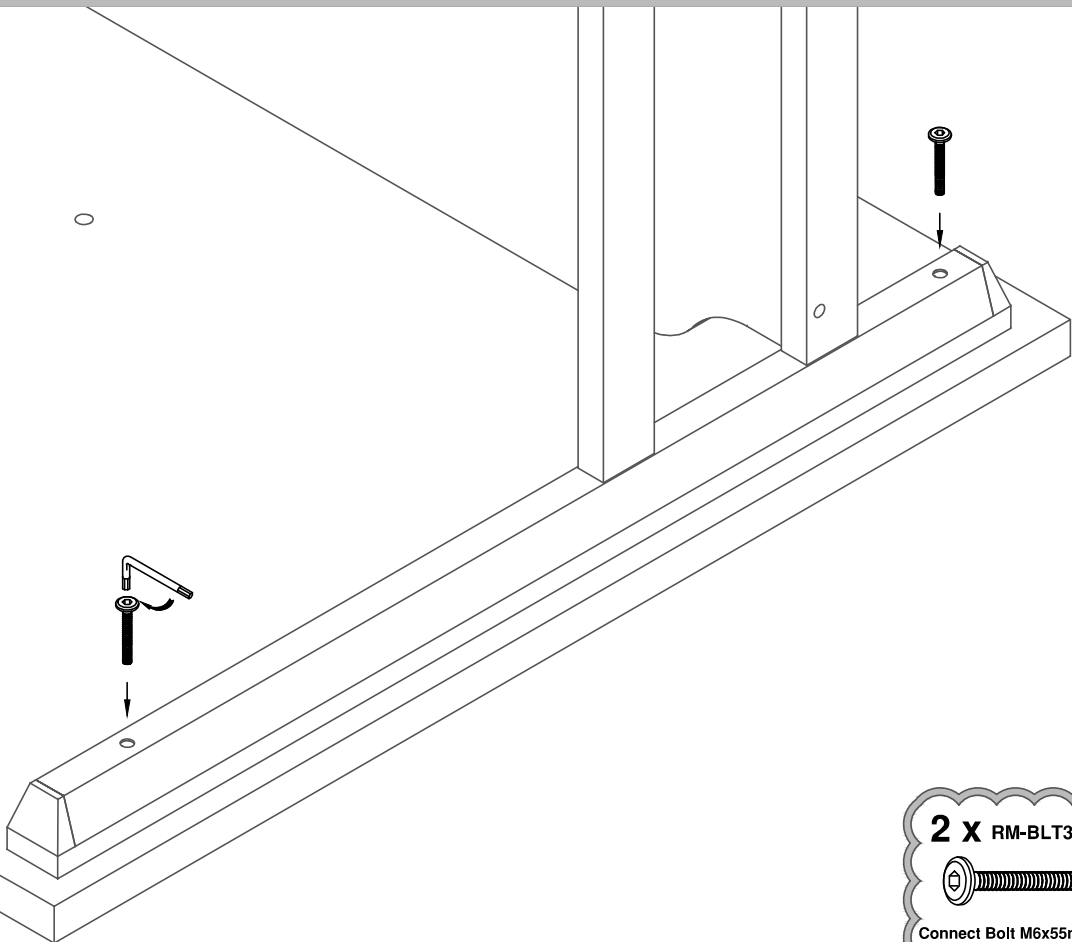
5



2 Man Lift Required



6

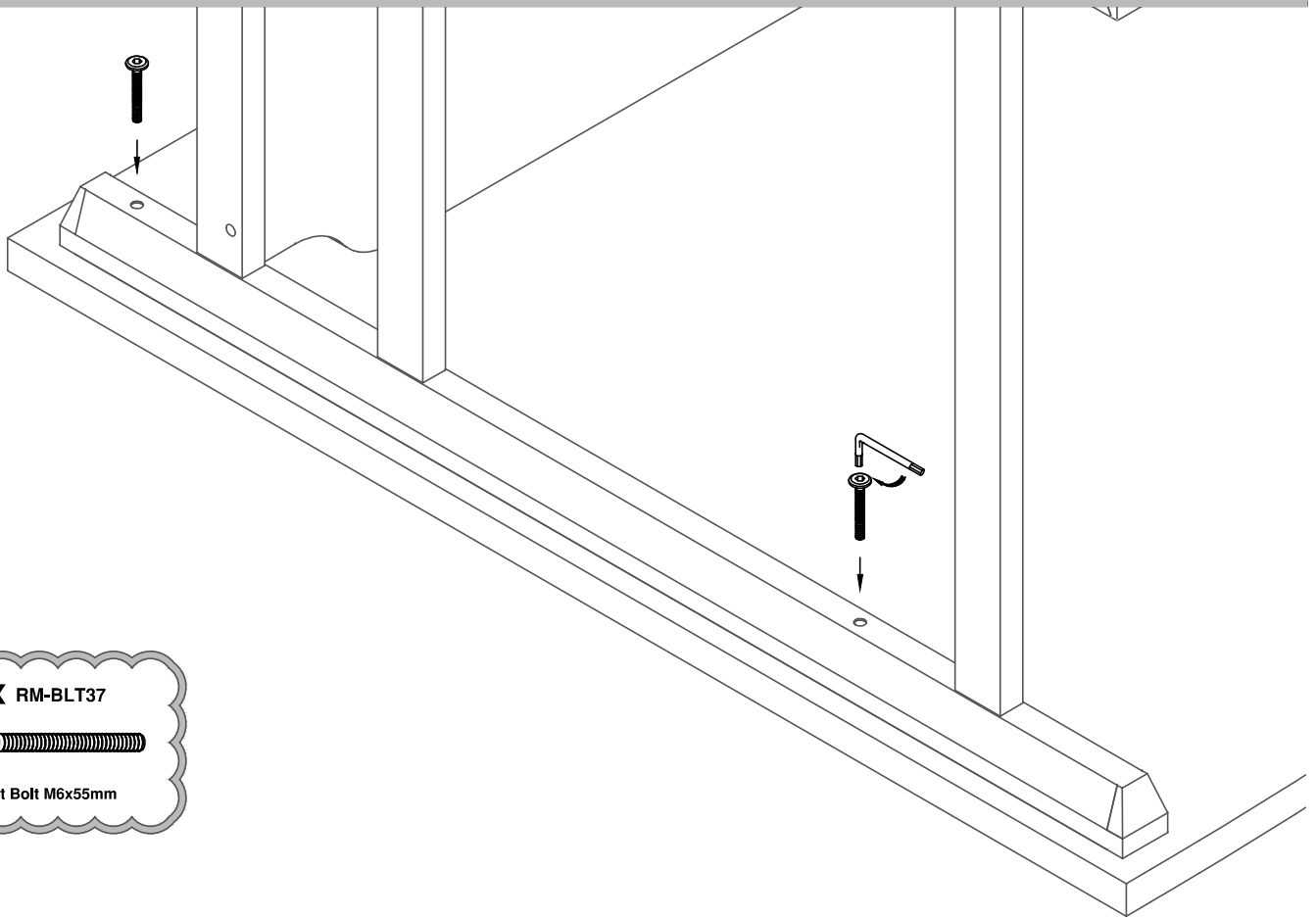


2 X RM-BLT37



Connect Bolt M6x55mm

7



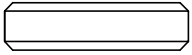
2 X RM-BLT37



Connect Bolt M6x55mm

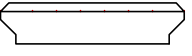
8

2 X RM-LCV01

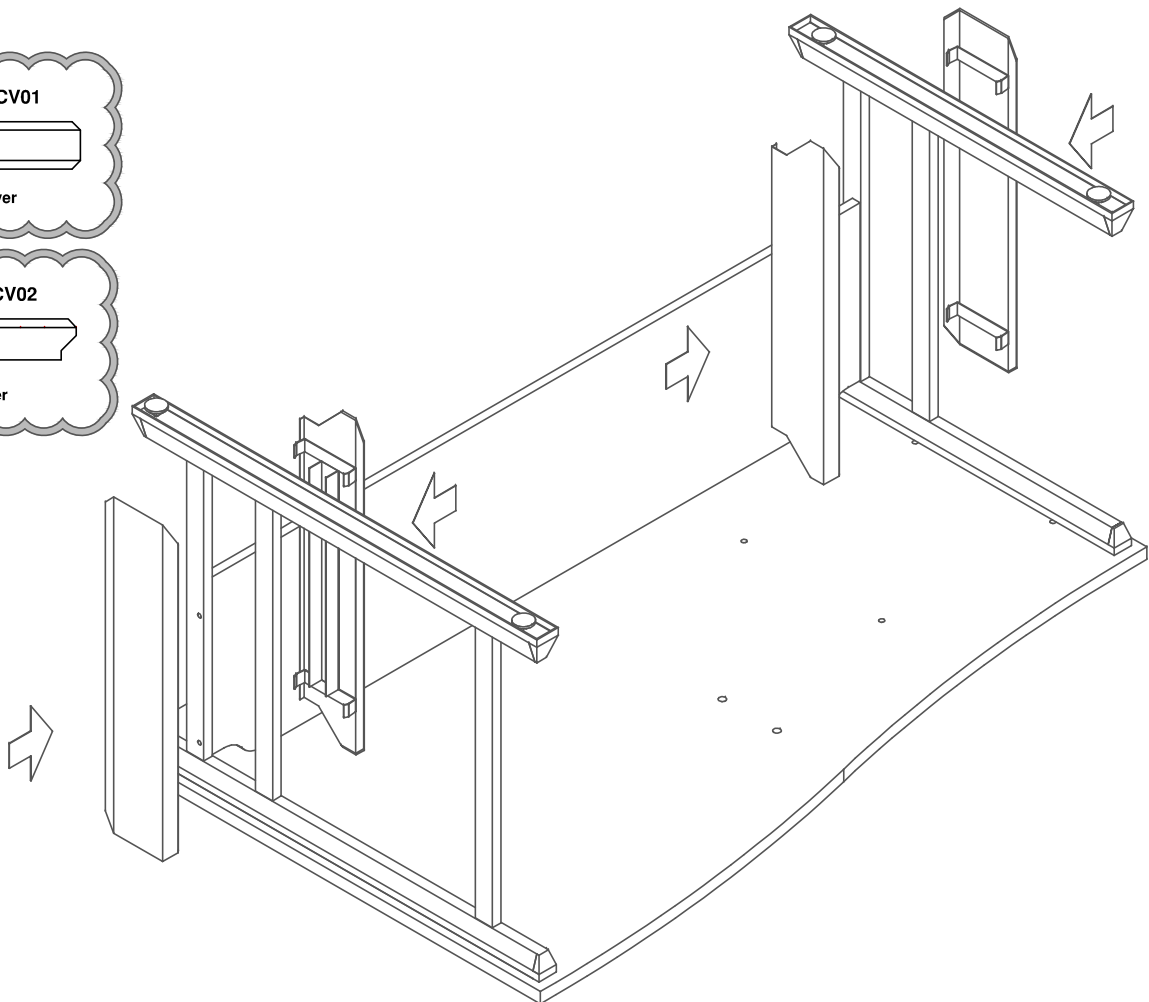


External Leg Cover

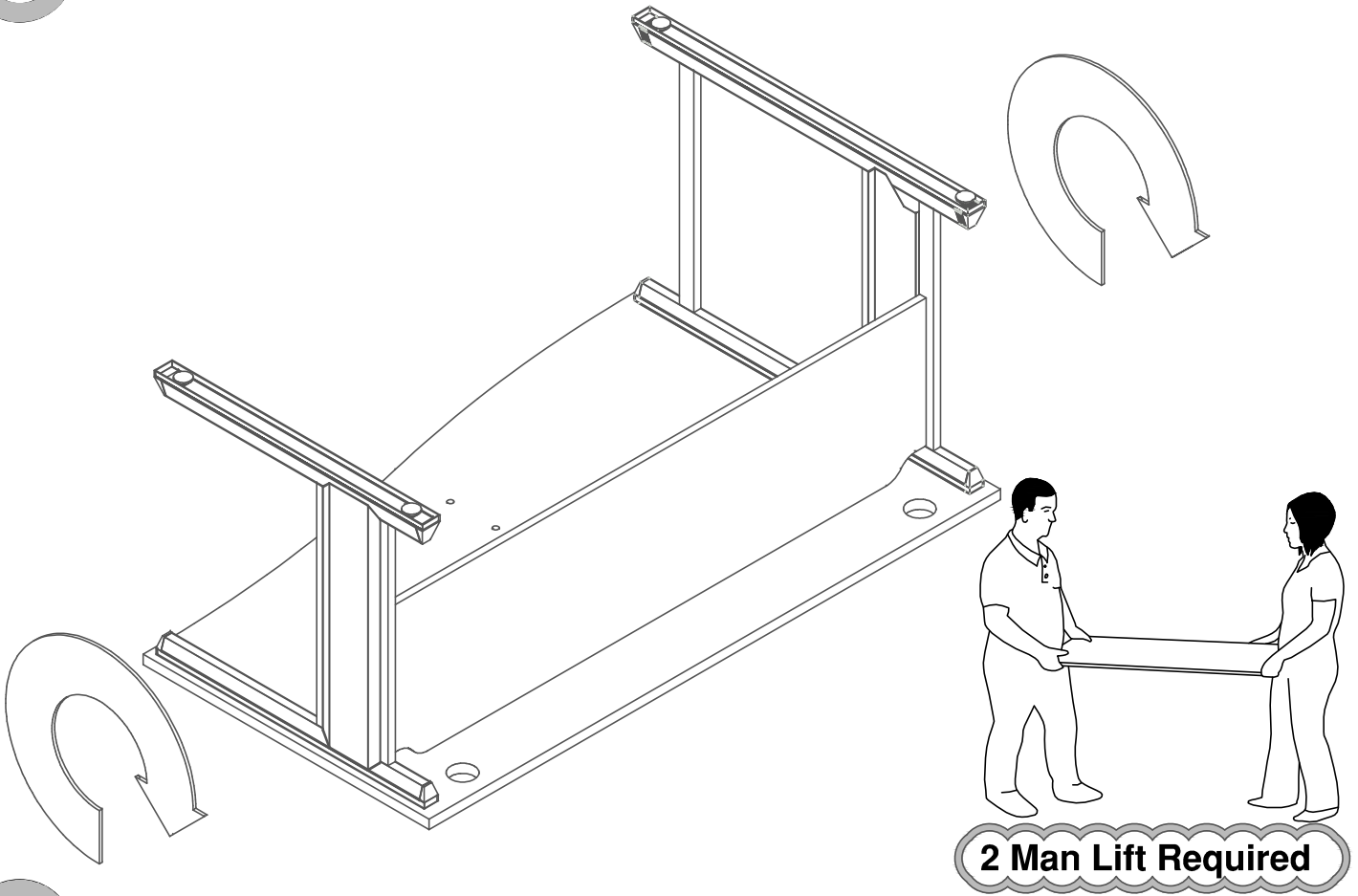
2 X RM-LCV02



Internal Leg Cover



9



10

