

TAMBOUR CUPBOARDS / DOUBLE DOOR CUPBOARDS

HT TAT TM LT

Start the assembly of this product by familiarising yourself with each component and this instruction sheet, this will make assembly easier.
Once all parts have been identified, follow the instructions carefully and do not proceed until each step has been completed.

Z20T / Z16T / Z12T / Z8T - TAMBOURS

SHUTTERS x2

Z8S / Z12S / Z16S / Z20S - STEEL SKINS

STEEL SKINS x2

TAMBOUR FILLETS x2

TAMBOUR TRACKS x4

HT / TAT / TM / LT - CABINET PACKS

LH SIDE x1 RH SIDE x1 BACK x2

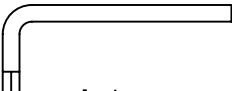


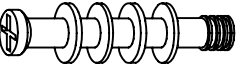
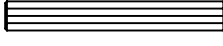


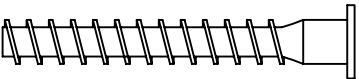
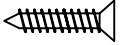

TOP PLINTH x1

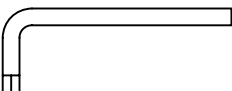
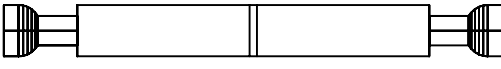

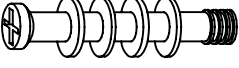


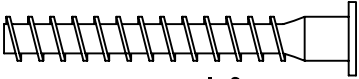
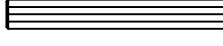
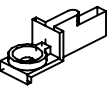
BASE x1

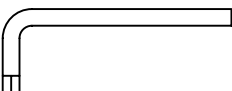
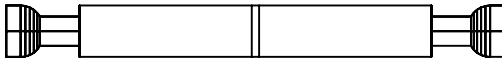


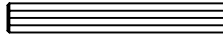


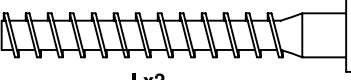
PLINTH x1

TOP x1

FITTINGS GUIDE

<h2>HT / TAT</h2>	<h2>Z8S / Z12S / Z16S / Z20S</h2>
 <p>A x1 111-22-032</p>  <p>B x4 000-00-020</p>  <p>D x1 111-22-110</p>  <p>E x22 012-01-042</p>  <p>F x22 012-01-074</p>  <p>G x2 012-01-027</p>  <p>H x30 111-22-021</p>  <p>I x2 111-22-087</p>	 <p>G x30 012-01-027</p>  <p>C x8 012-01-079</p>

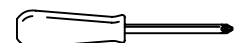
<h2>TM</h2> <h3>1200mm HIGH TAMBOUR UNIT</h3>	<h2>Z8T / Z12T / Z16T / Z20T</h2>
 <p>A x1 111-22-032</p>  <p>B x4 000-00-020</p>  <p>D x1 111-22-110</p>  <p>E x22 012-01-042</p>  <p>H x30 111-22-021</p>  <p>G x2 012-01-027</p>  <p>I x2 111-22-087</p>  <p>F x16 012-01-074</p>	<p>Please note Doors stops are taped to the tambour door.</p>  <p>J x2 000-00-135</p>

<h2>LT</h2> <h3>800mm HIGH TAMBOUR UNIT</h3>	
 <p>A x1 111-22-032</p>  <p>B x3 000-00-020</p>  <p>D x1 111-22-110</p>  <p>E x20 012-01-042</p>  <p>F x16 012-01-074</p>  <p>G x2 012-01-027</p>  <p>H x26 111-22-021</p>  <p>I x2 111-22-087</p>	

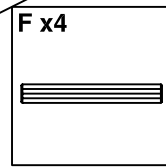
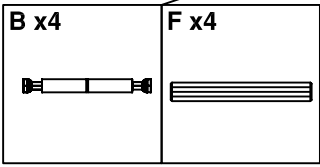
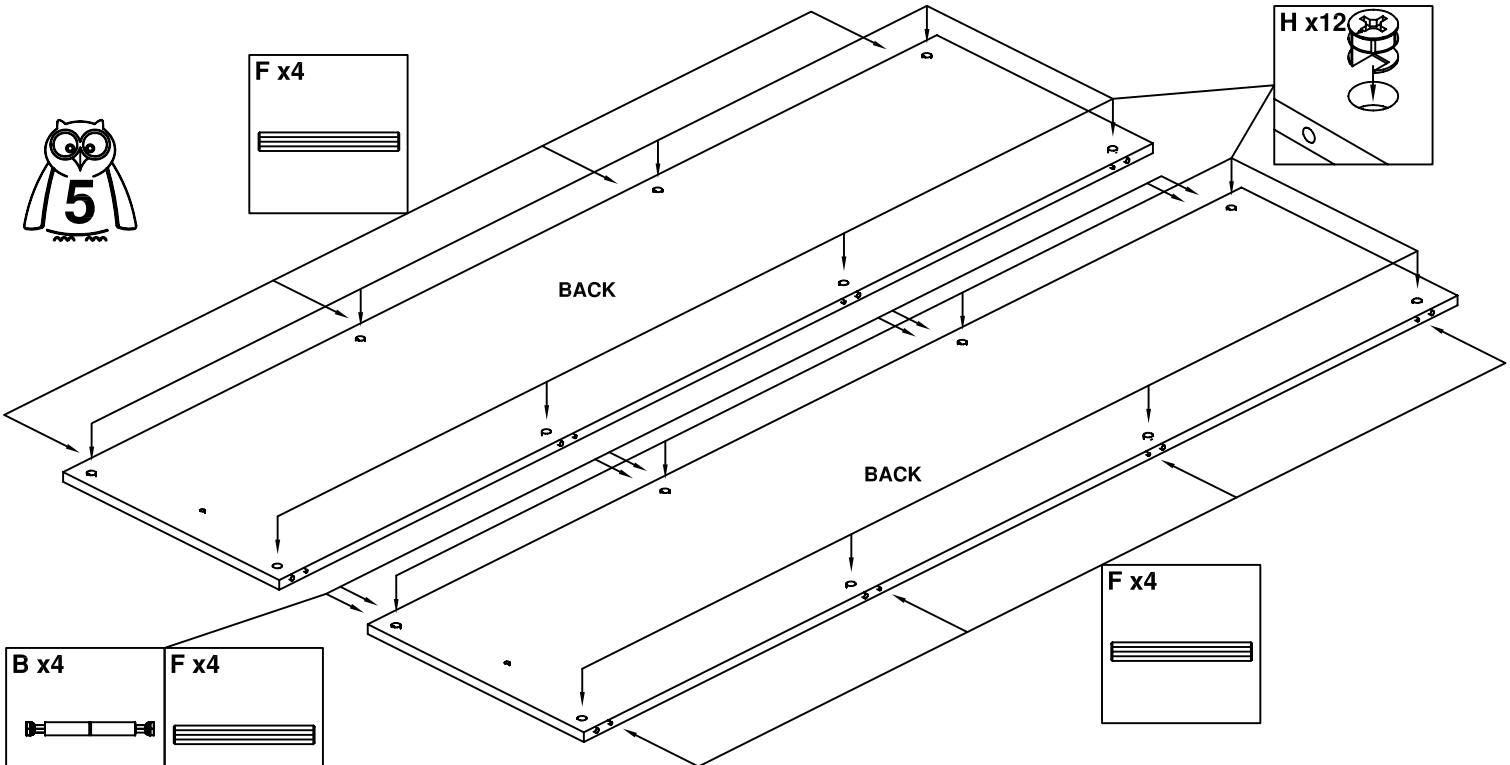
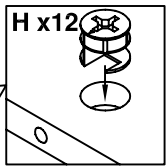
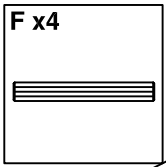
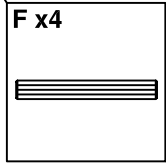
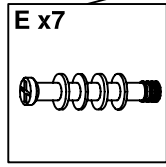
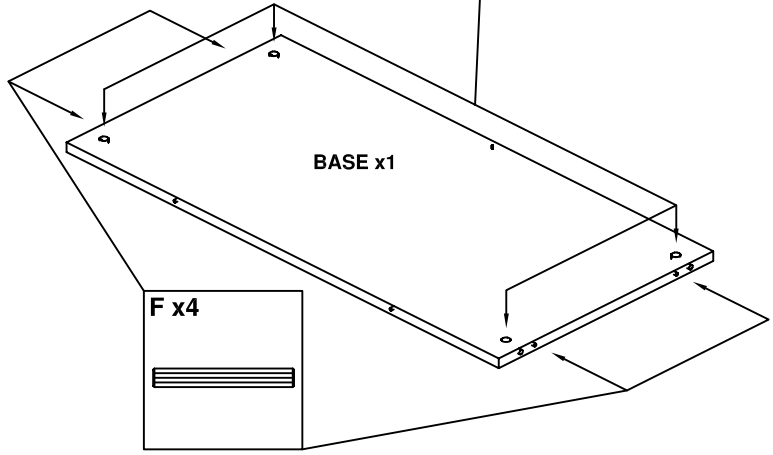
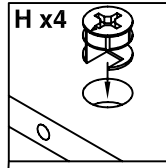
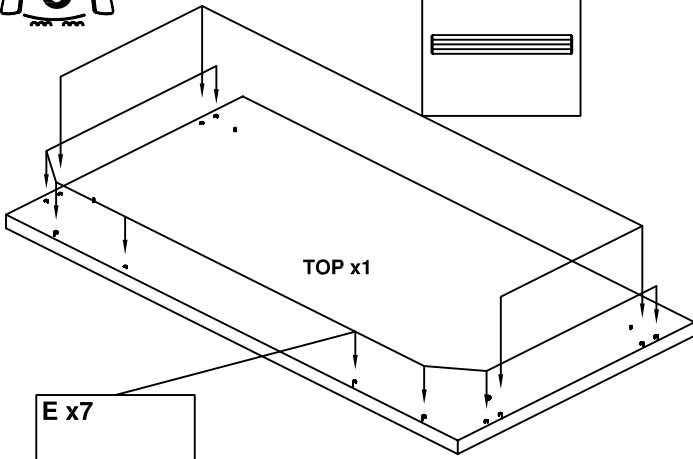
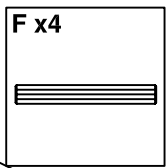
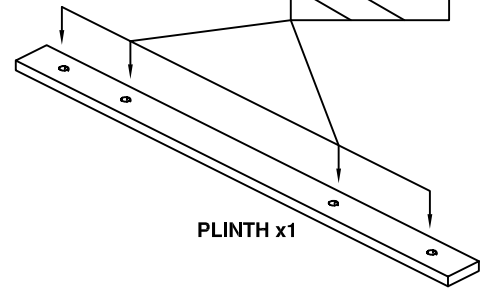
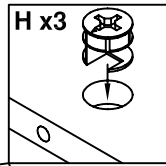
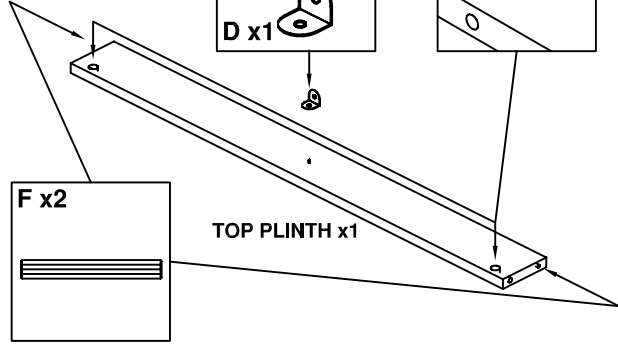
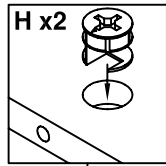
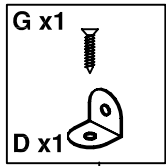
**PLEASE NOTE THE ILLUSTRATED INSTRUCTION IS FOR THE HT - 2000mm TAMBOUR UNIT
ALL TAMBOUR UNITS ARE ASSEMBLED IN THE SAME MANNER HOWEVER NUMBER OF FITTINGS WILL VARY.**

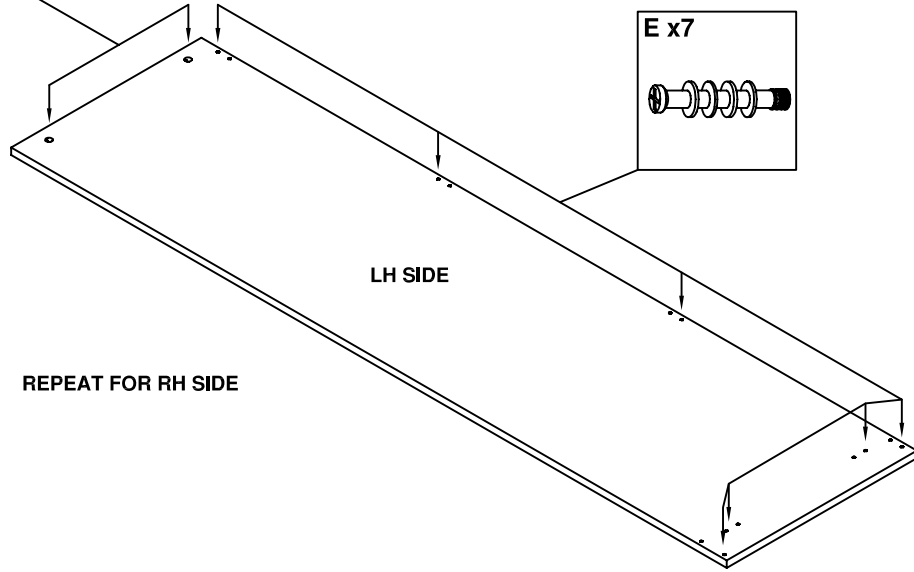
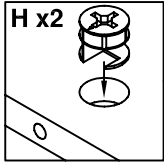


Start the assembly of this product by familiarising yourself with each component and this instruction sheet, this will make assembly easier. Once all parts have been identified, follow the instructions carefully and do not proceed until each step has been completed.

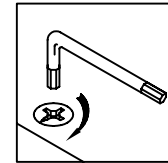
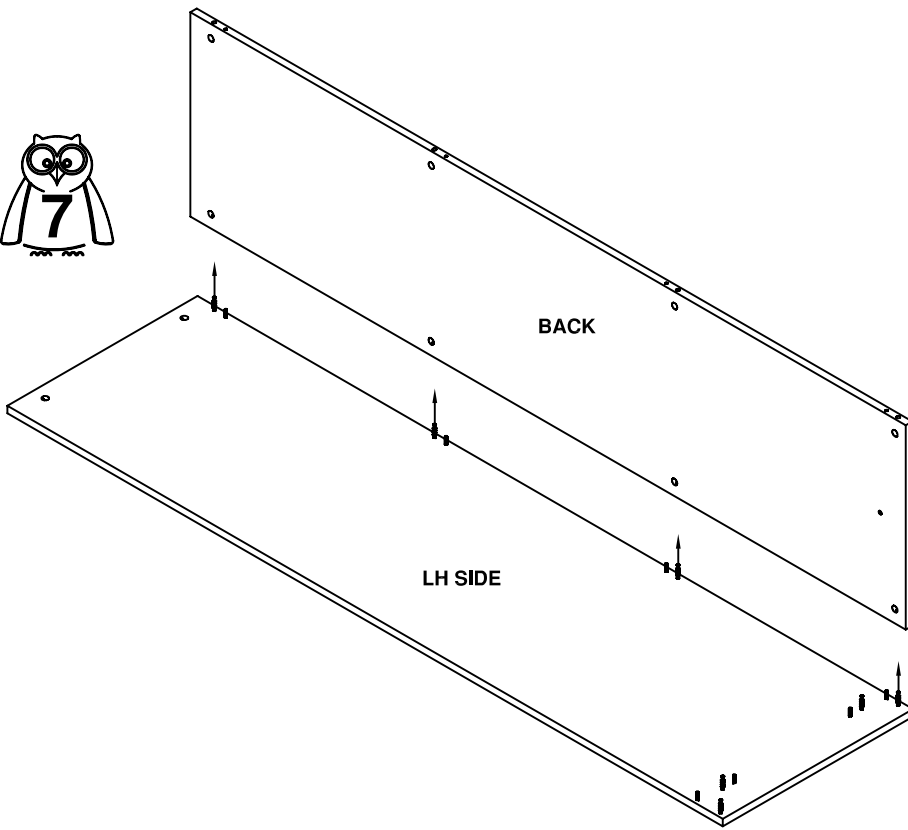


Tools required for use in assembly.





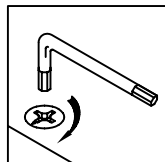
REPEAT FOR RH SIDE



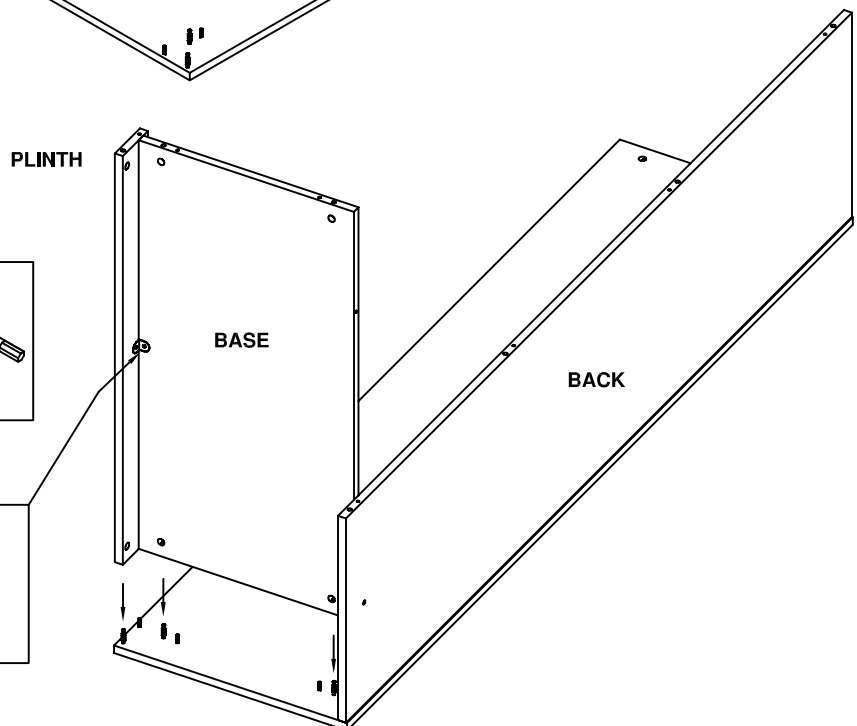
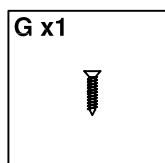
Position the back onto the LH side side and lock cams.

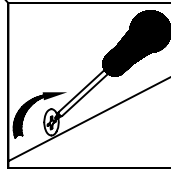
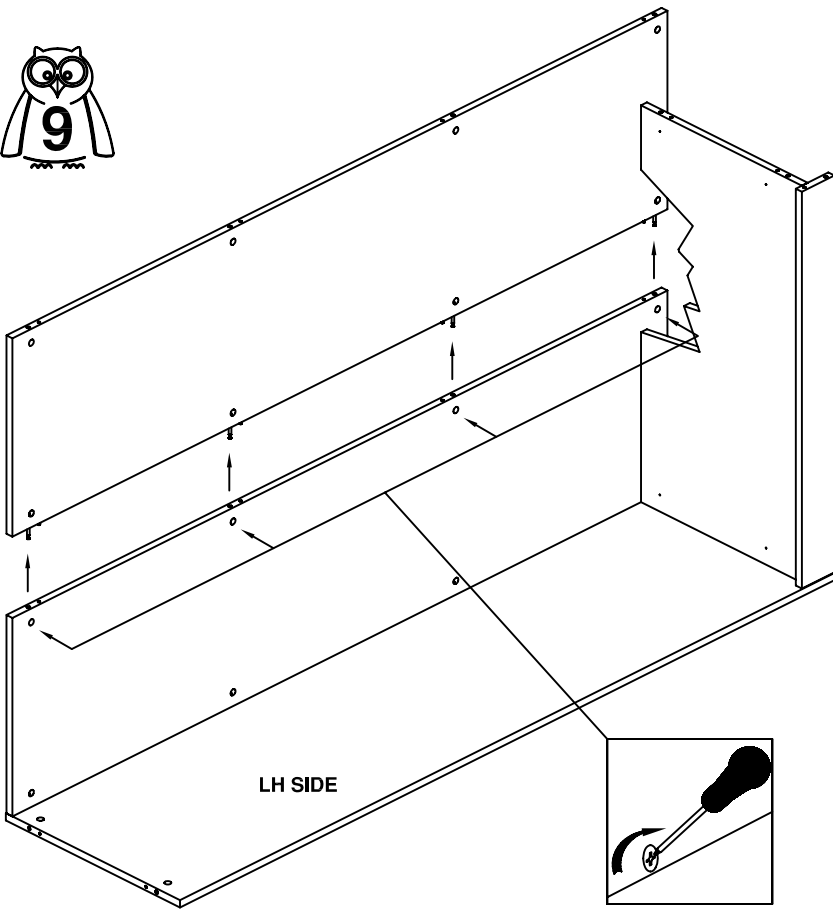



Position the base and the plinth onto the side and lock cams.

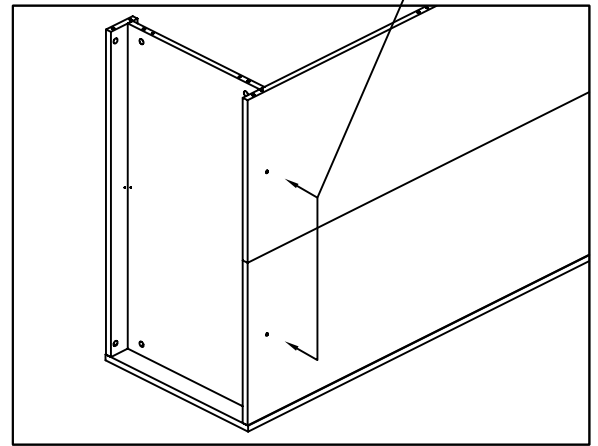


Fix one screw through the L-bracket to secure plinth to base.

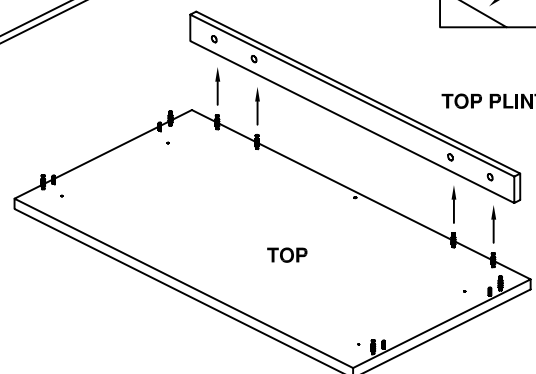
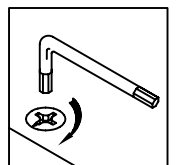
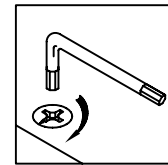
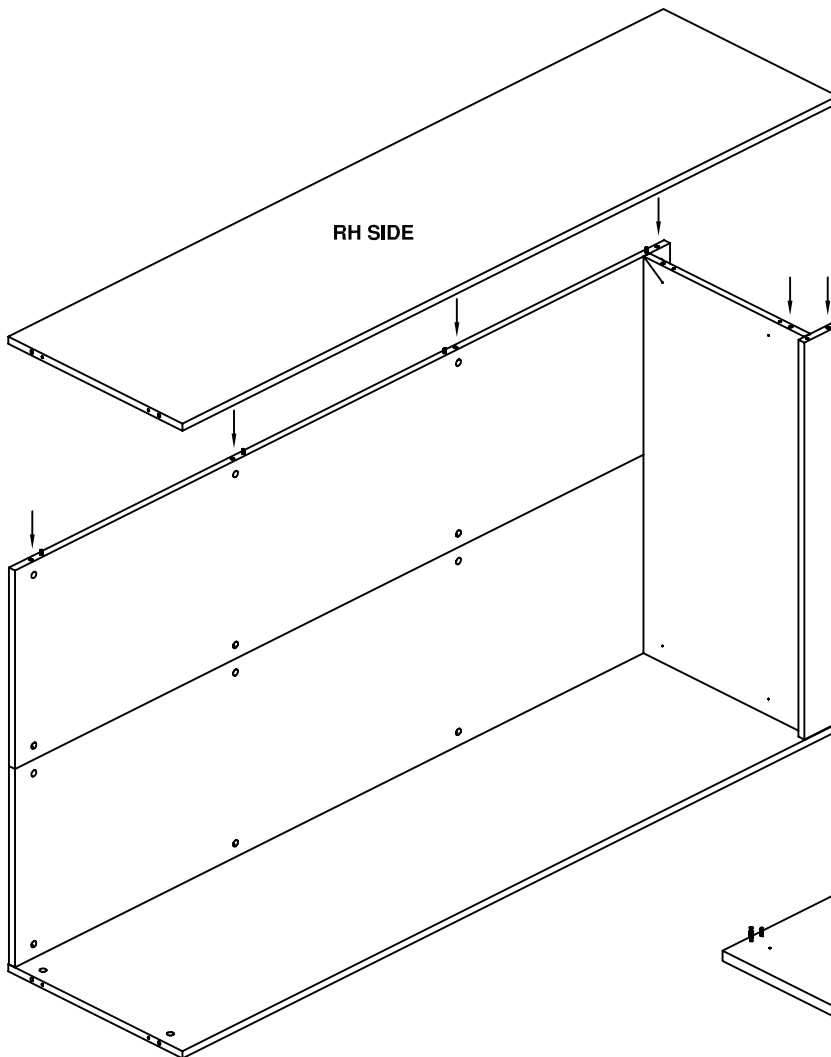


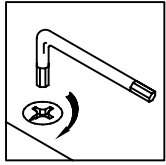
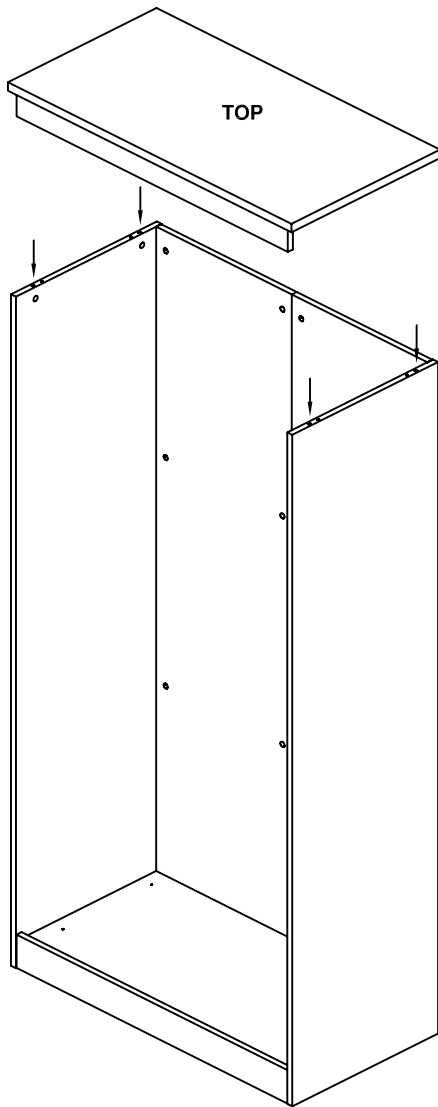


1 x 2

 Use allen key



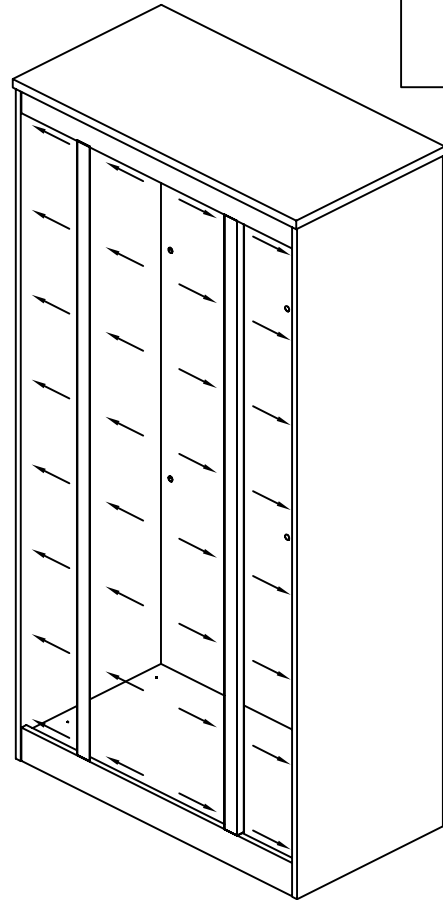
REAR OF CABINET



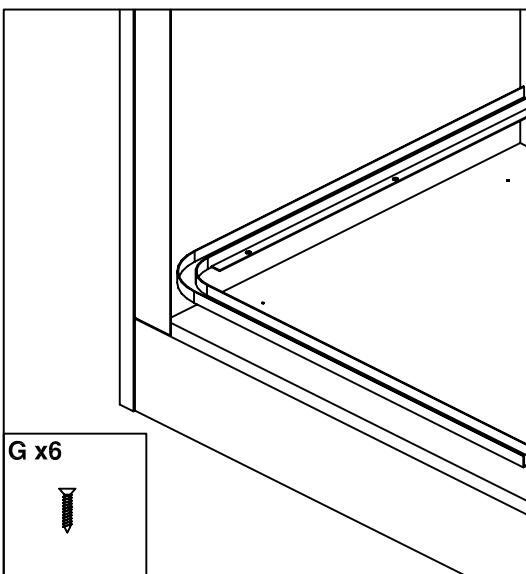


Position fillets 15mm from edge of unit.

G x16



FITTING OF TRACK

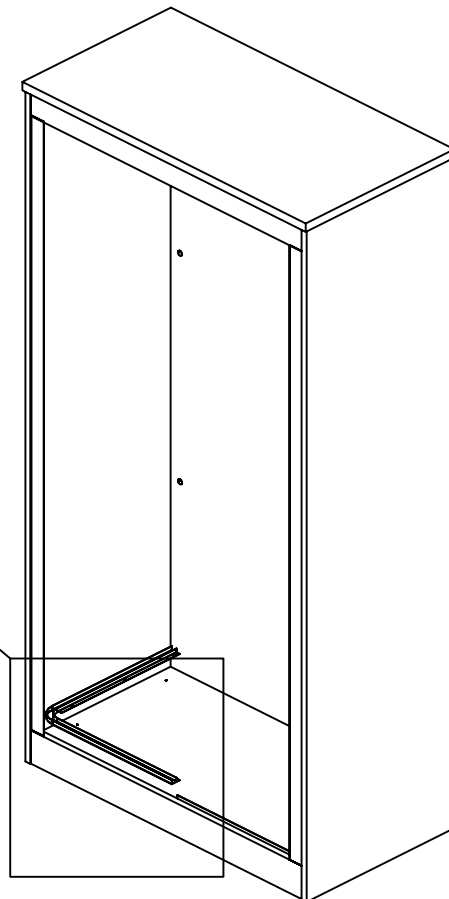


G x6



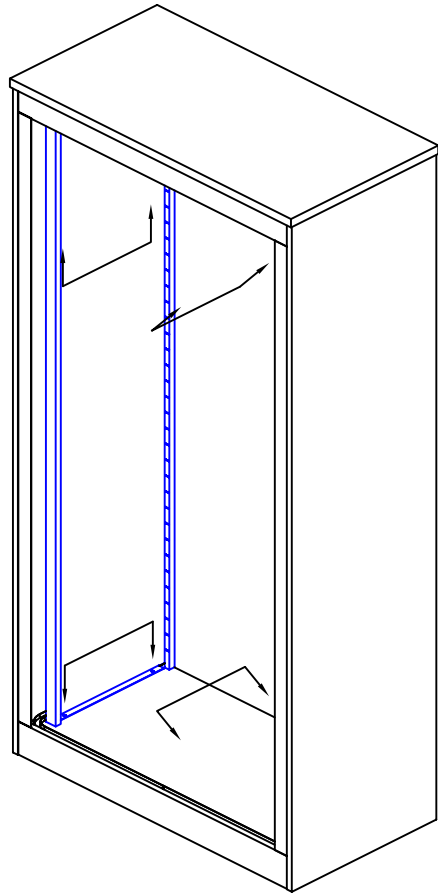
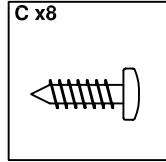
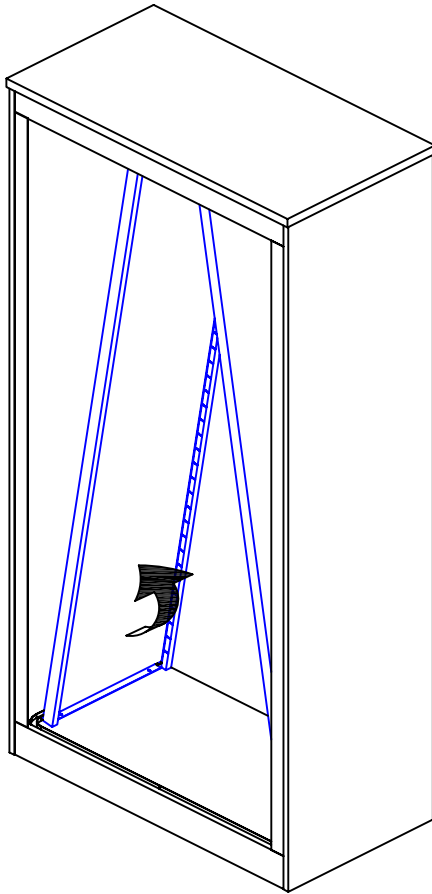
Ensure the track is pushed over to the left hand side and up pushed up against the front plinth.
Secure each track using 6 screws

REPEAT FOR RIGHT HAND SIDE AND FOR TOP TRACK





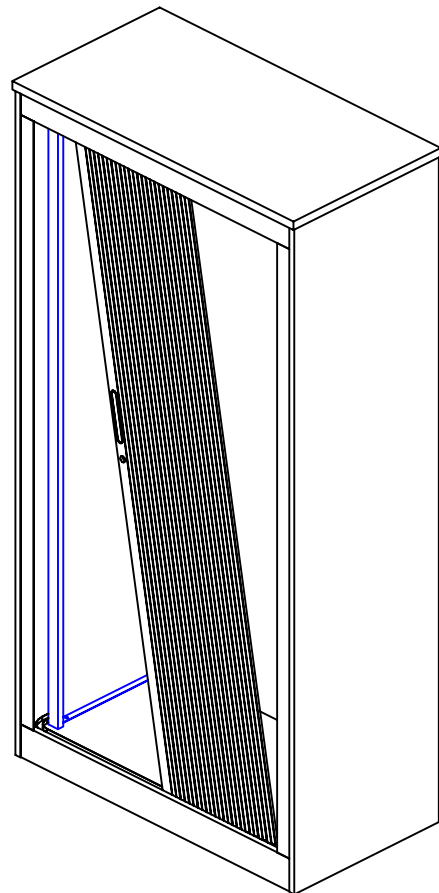
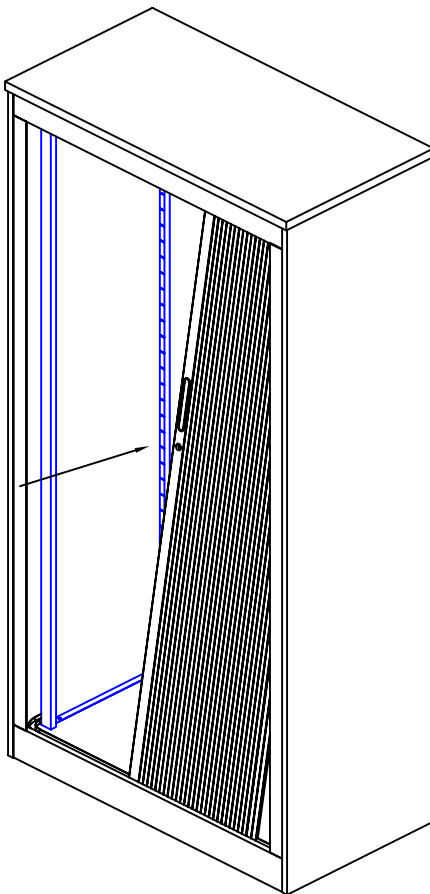
STEEL SKINS x2



Screw the steel skins into place.



Shutter with Lock



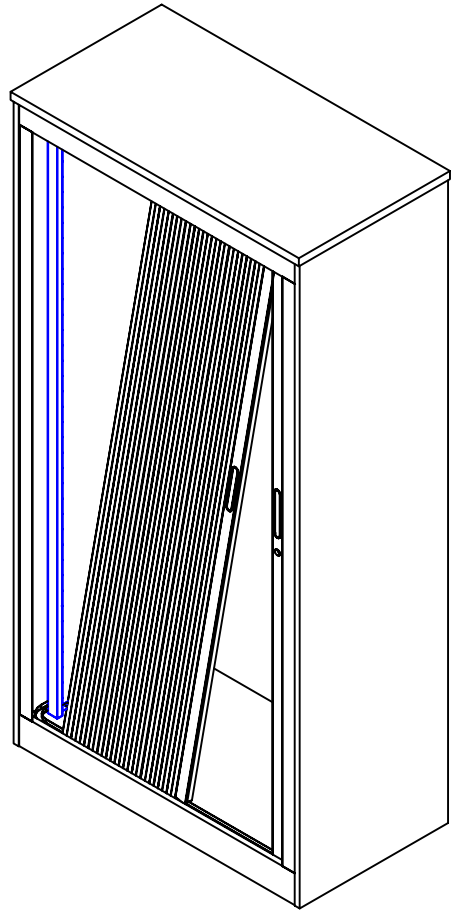
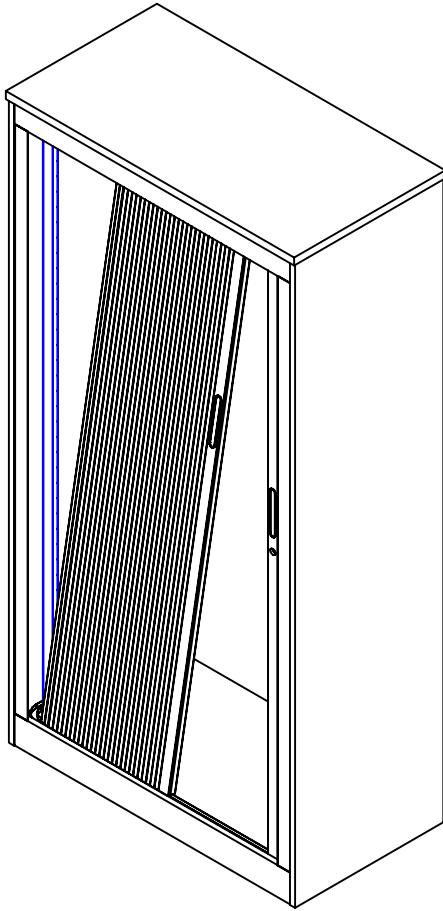
Step 1
Tilt tambour shutter into the top of the cabinet.

Step 2
Locate shutter into the bottom track.

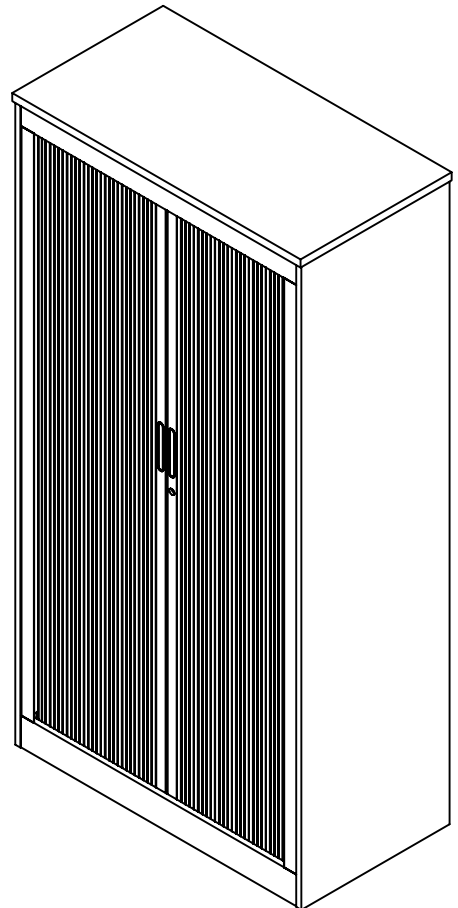
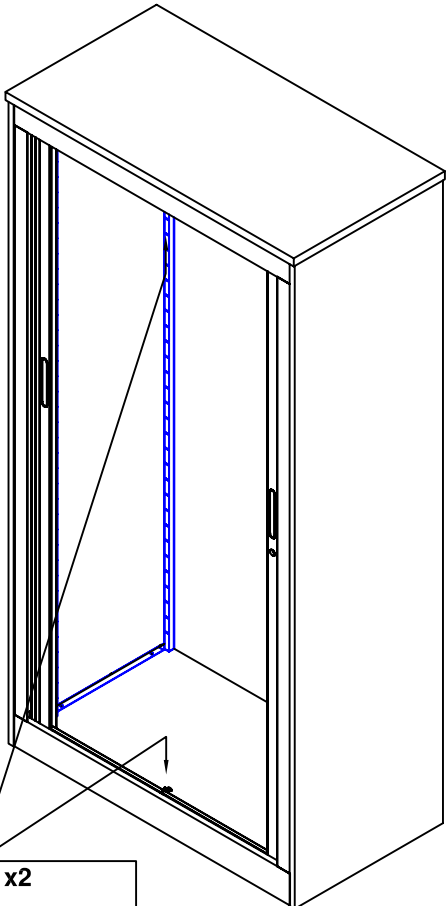
Step 3
Peel tape from the back of the shutter.

Step 4
Tilt towards LH whilst locating into the top track.

Step 5
Keeping the shutter vertical push into the open position.



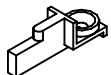
POSITION THE OTHER SHUTTER AS IN FIG 18 + 19.



G x2



J x2





COMBINATION CUPBOARDS ONLY

Please read carefully before assembly begins.

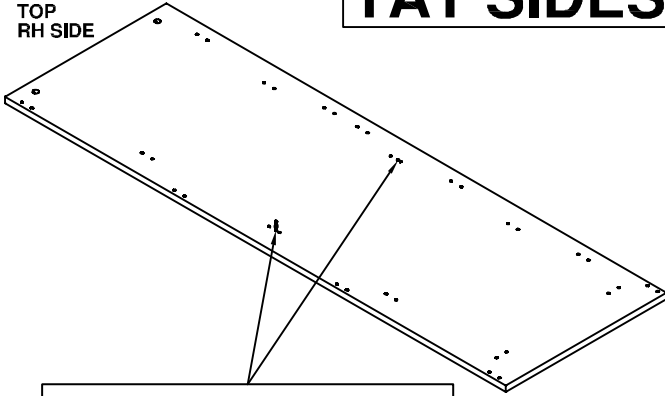
Start the assembly of this product by familiarising yourself with each component and this instruction sheet, this will make assembly easier.

Once all parts have been identified, follow the instructions carefully and do not proceed until each step has been completed.

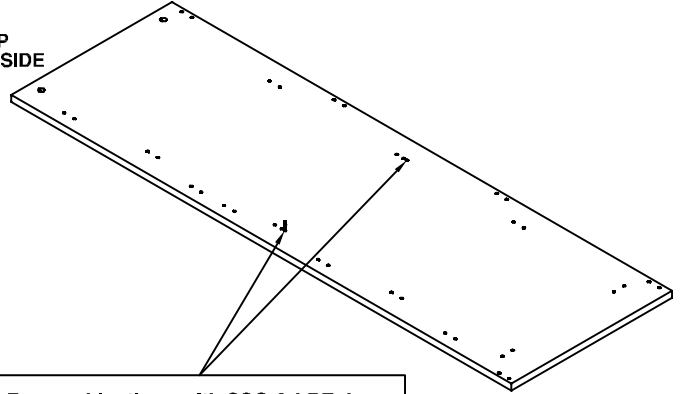
For combinations with SSG & Z8T doors as in Fig (1).
For combinations with SSG & LDZ doors as Fig (2).

TAT SIDES

TOP
RH SIDE



TOP
LH SIDE



For combinations with SSG & Z8T doors
locate fitting in second hole.

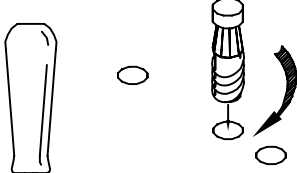


Fig (1)

For combinations with SSG & LDZ doors
locate fitting in first hole.

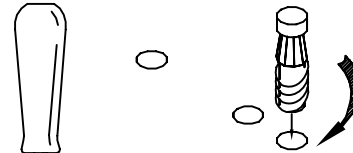


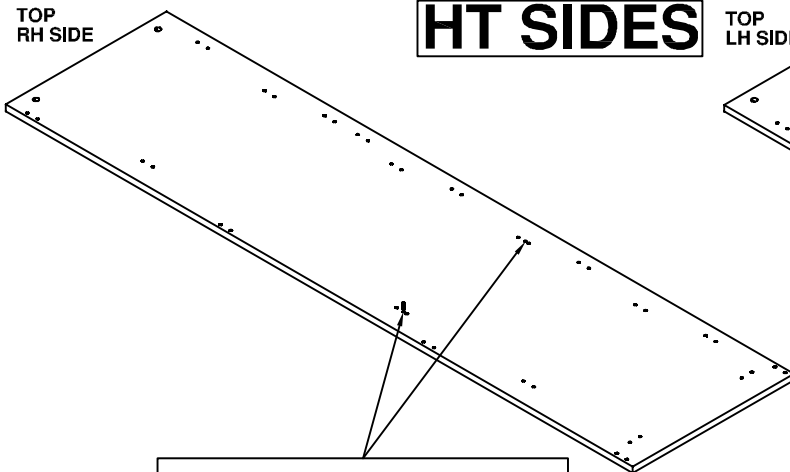
Fig (2)



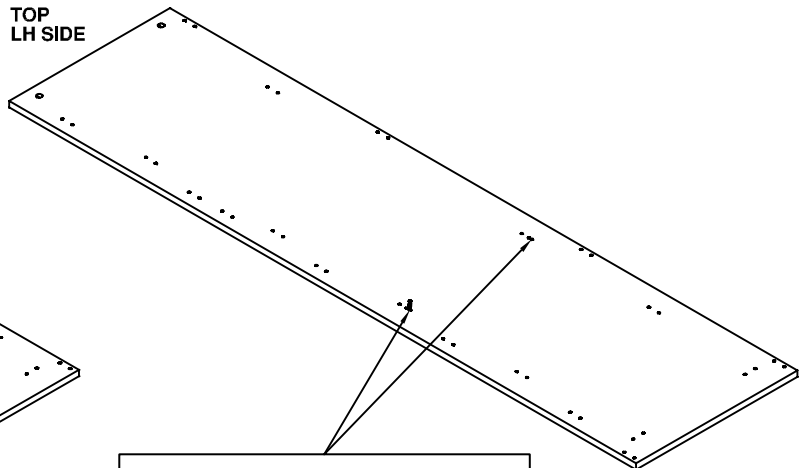
For combinations with SLG & Z8T doors as in Fig (1).
For combinations with SLG & LDZ doors as Fig (2).

HT SIDES

TOP
RH SIDE



TOP
LH SIDE



For combinations with SSG & Z8T doors
locate fitting in second hole.

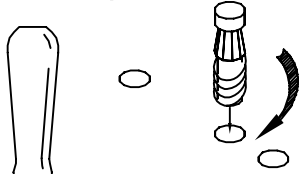


Fig (1)

For combinations with SSG & LDZ doors
locate fitting in first hole.

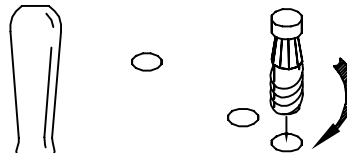
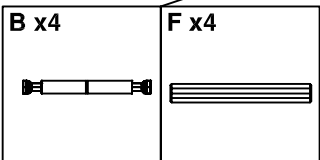
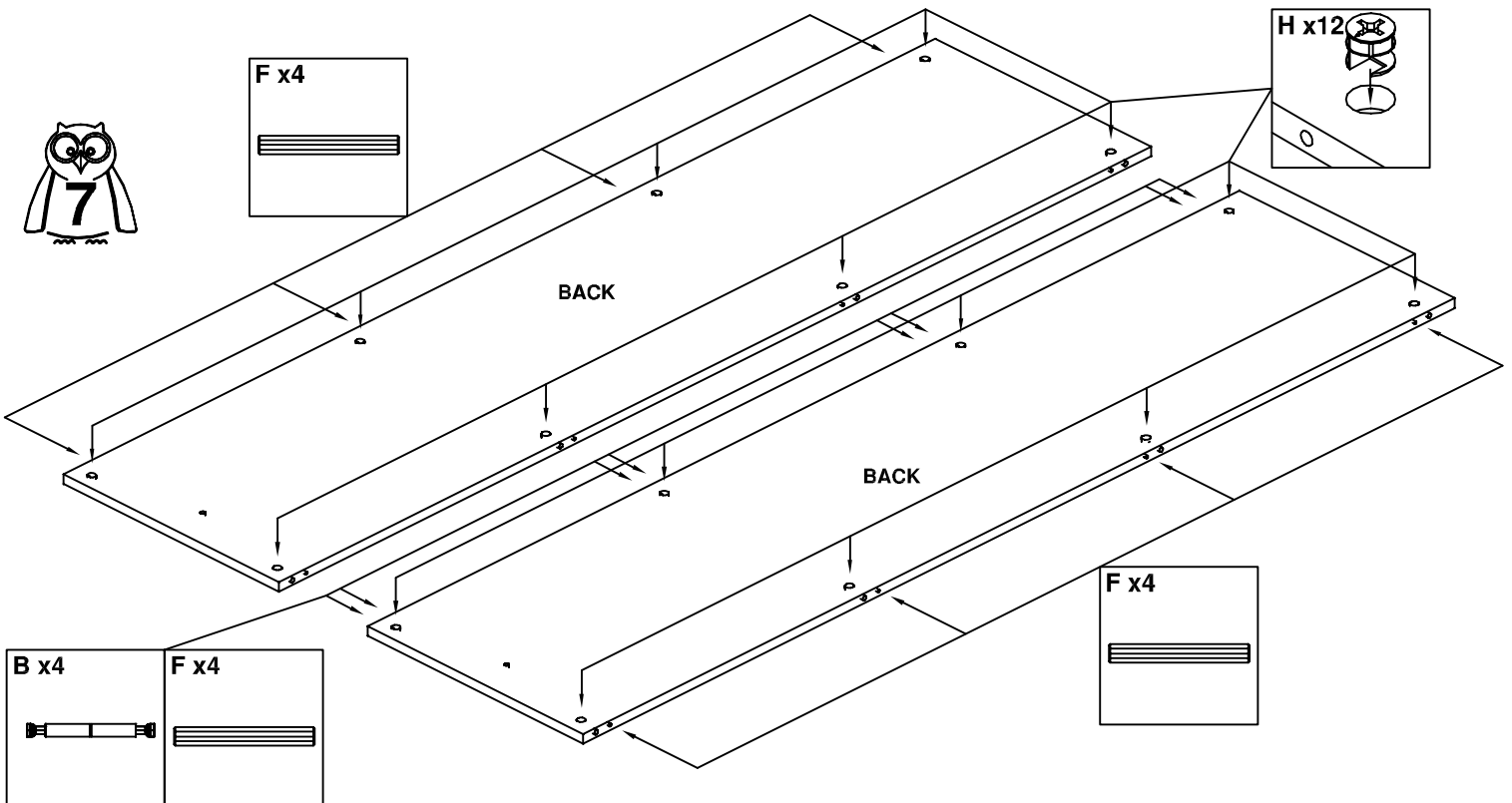
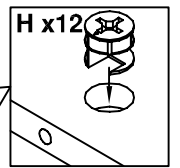
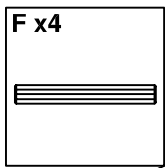
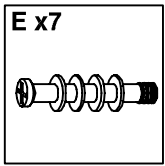
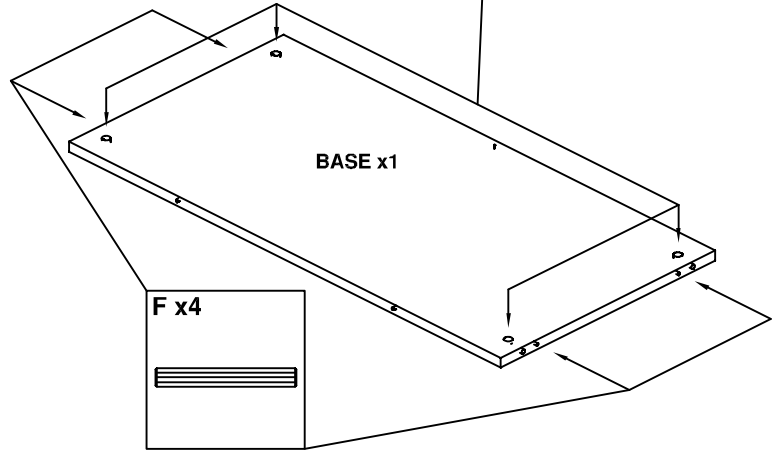
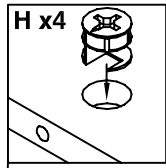
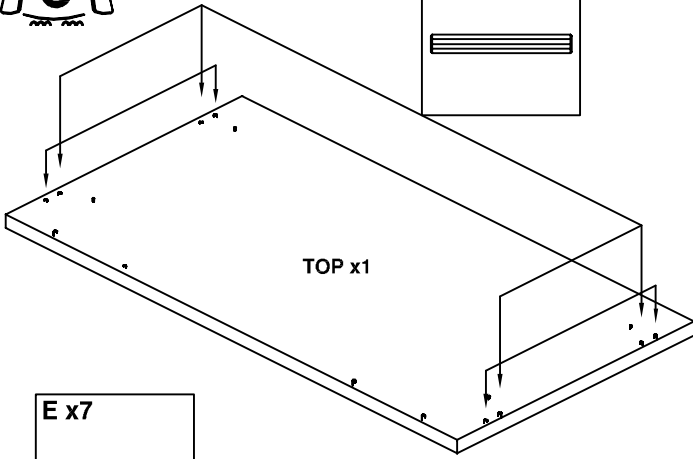
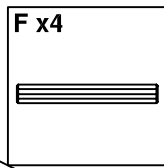
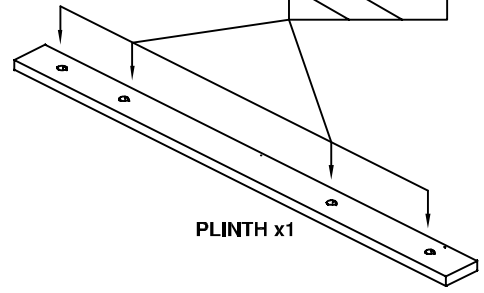
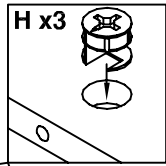
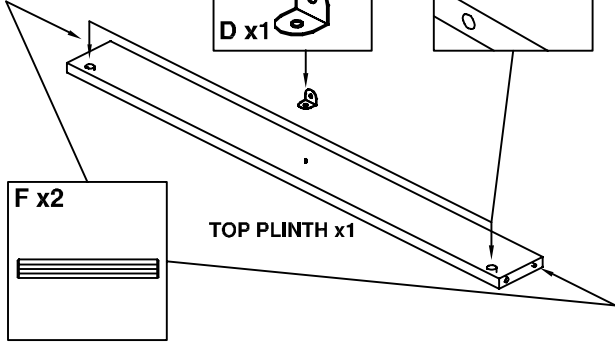
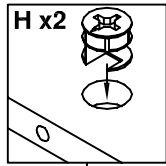
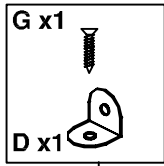
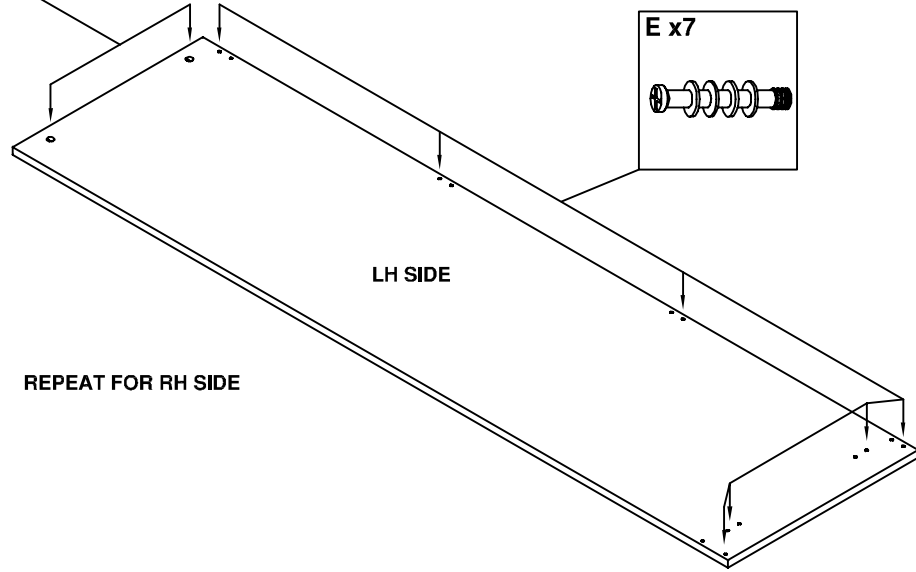
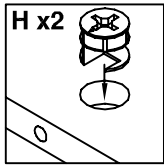
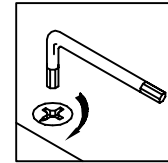
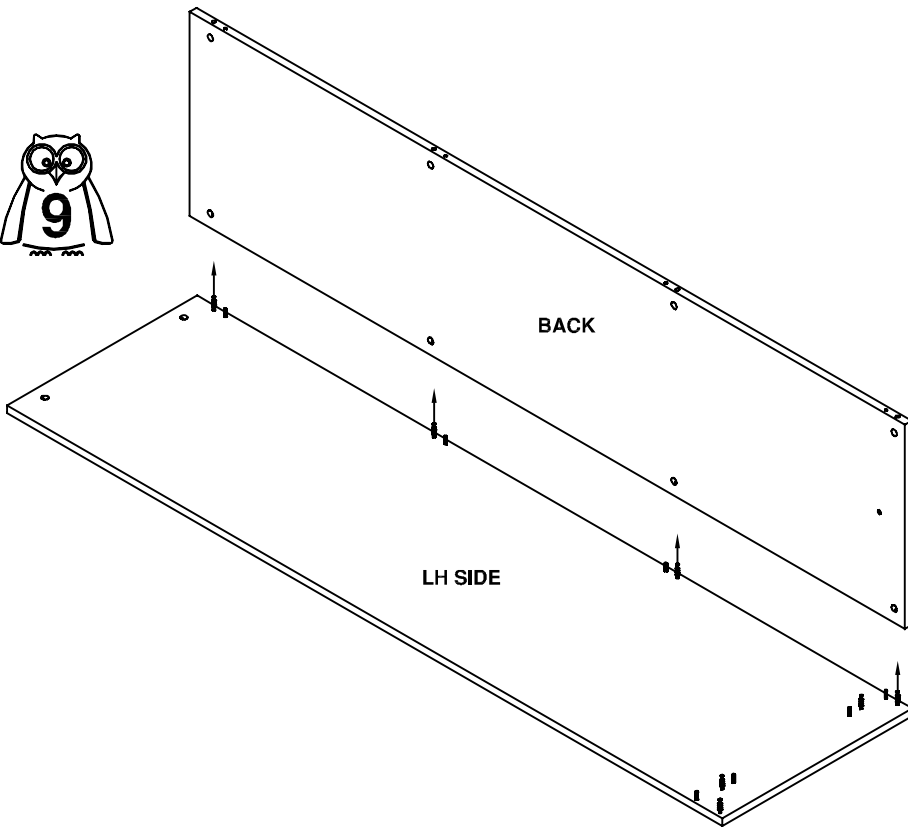


Fig (2)





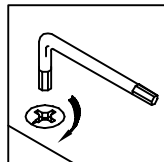
REPEAT FOR RH SIDE



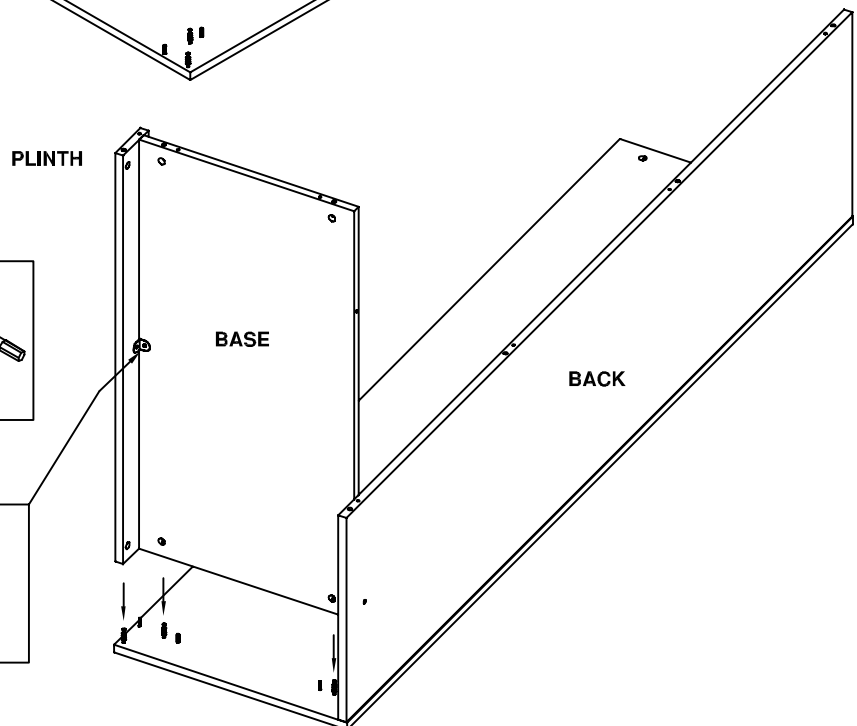
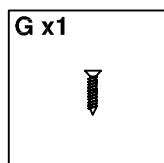
Position the back onto the LH side side and lock cams.

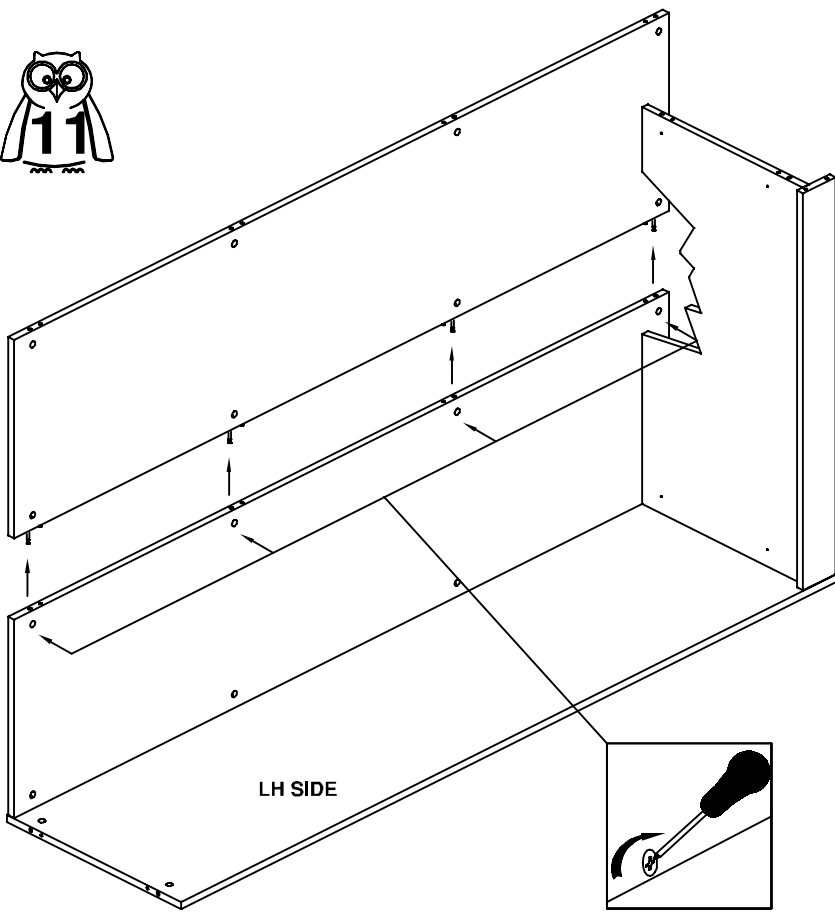


Position the base and the plinth onto the side and lock cams.



Fix one screw through the L-bracket to secure plinth to base.

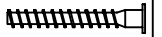




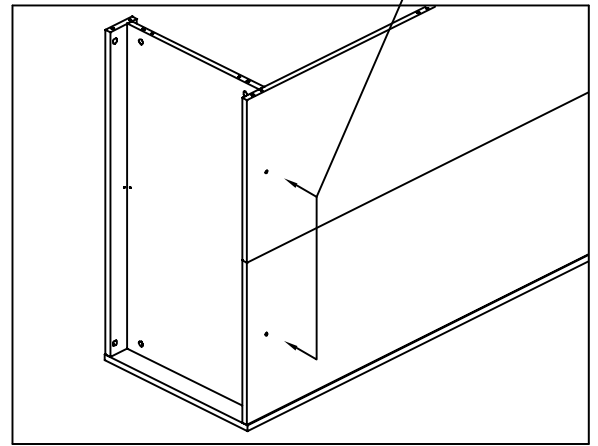
LH SIDE



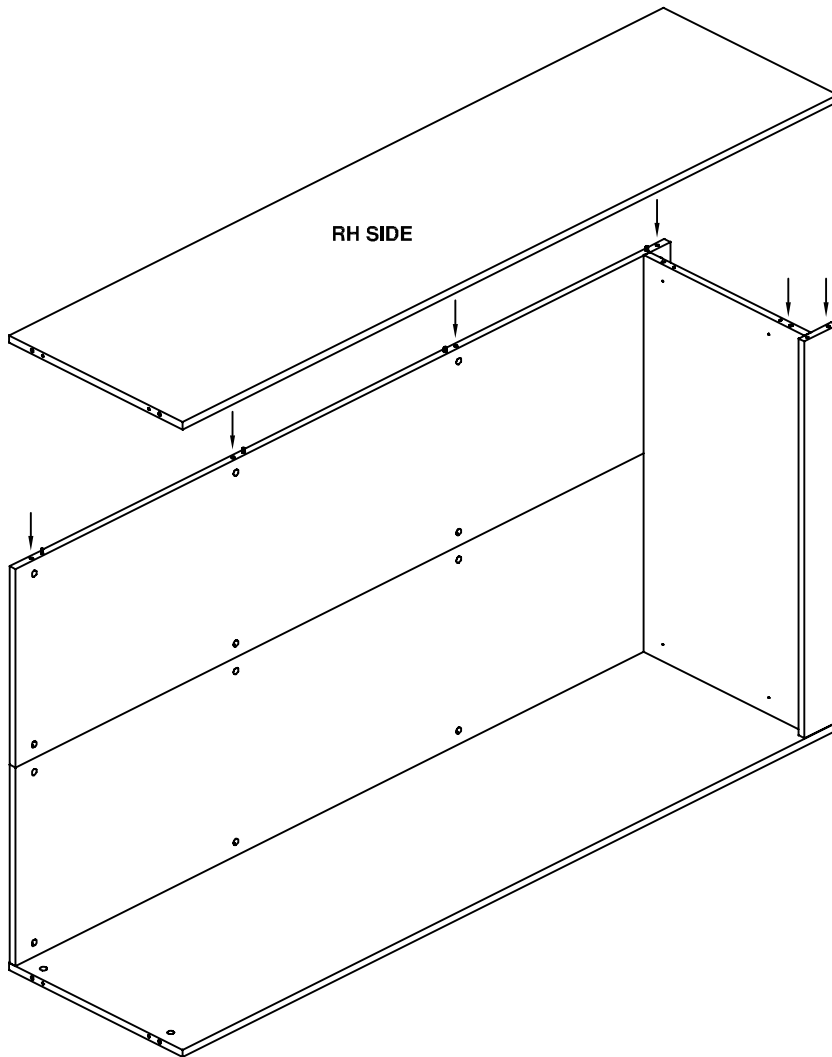
1 x 2



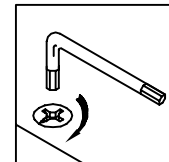
Use allen key



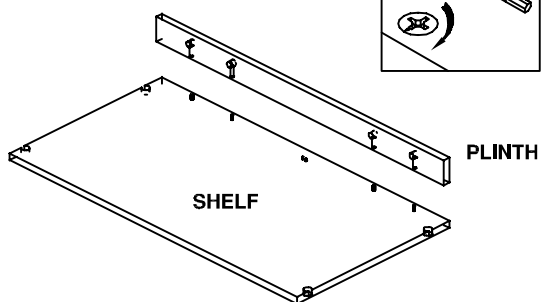
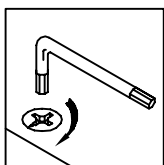
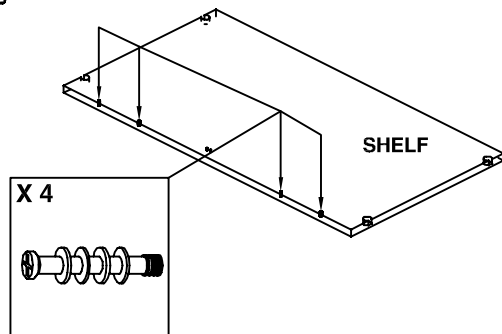
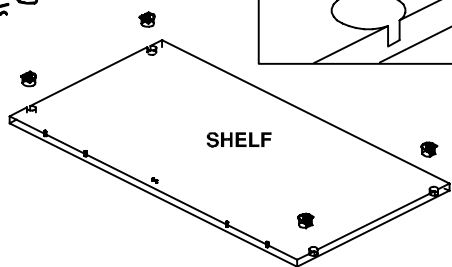
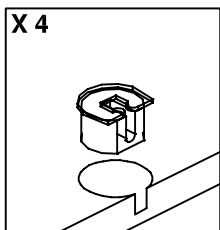
REAR OF CABINET



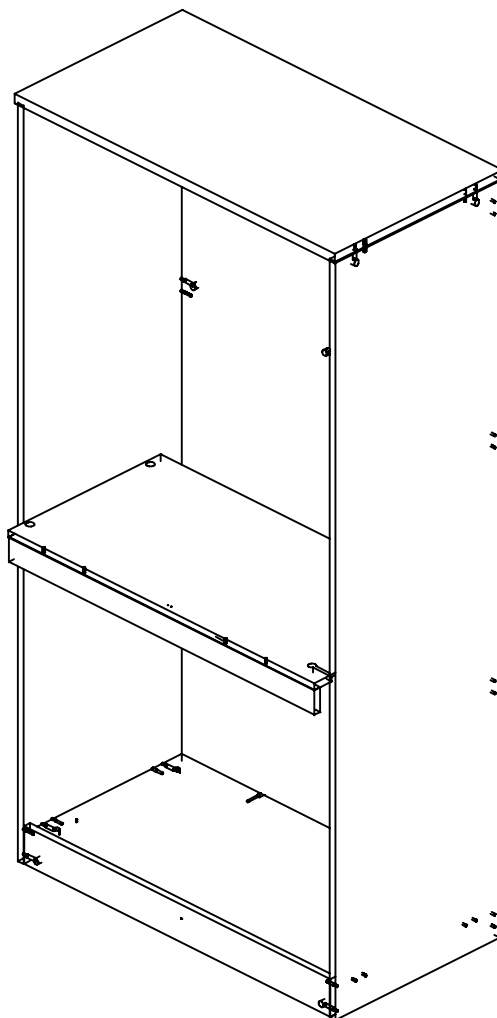
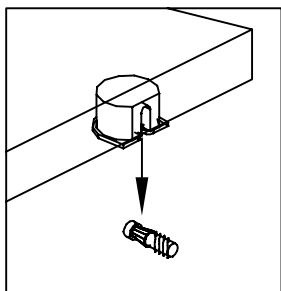
RH SIDE

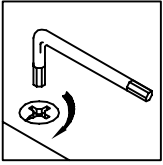
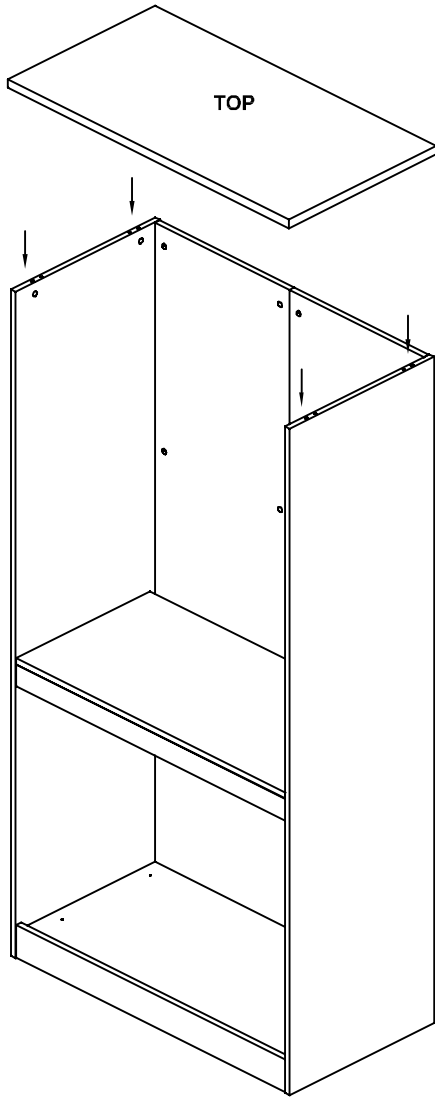


SZ



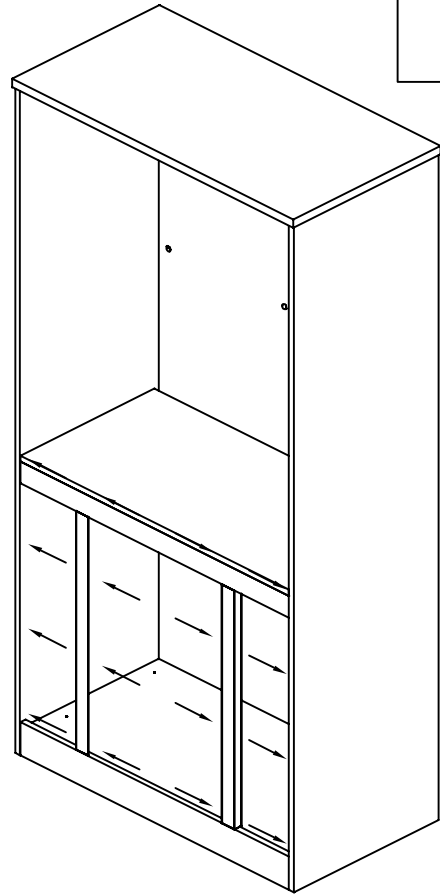
Slide shelf into carcass until the shelf cannot go back any further, push down on the shelf and locate to the pins in the side panels.



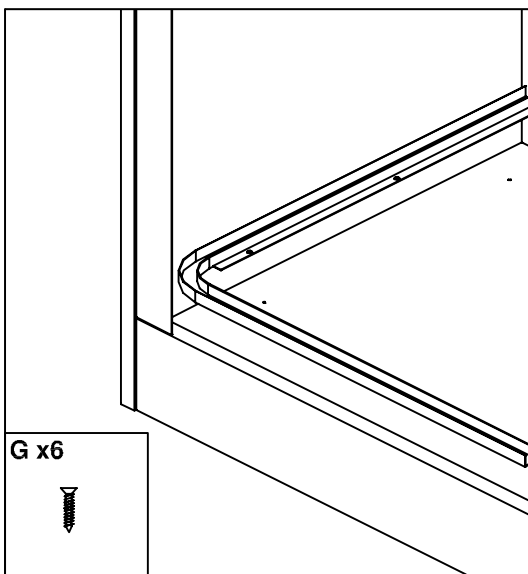


Position fillets 15mm from edge of unit.

G x16



FITTING OF TRACK

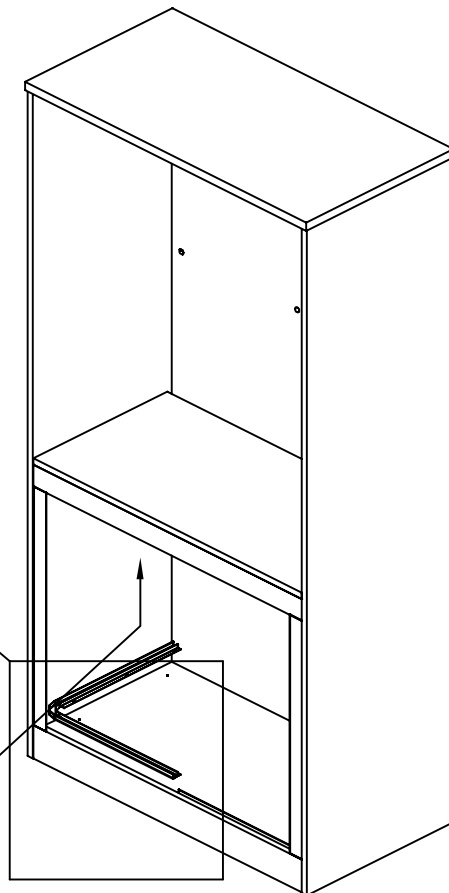


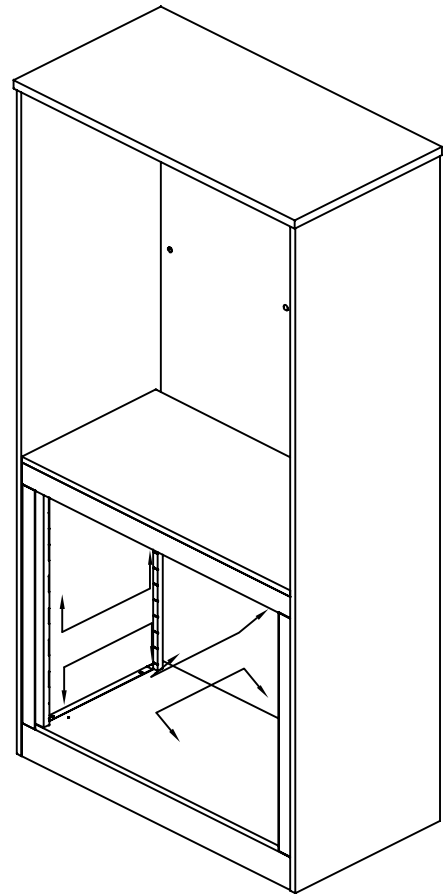
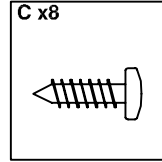
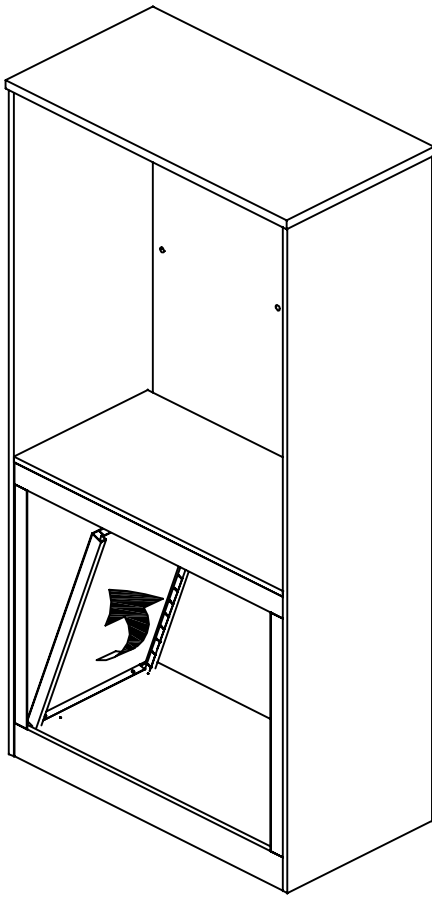
G x6



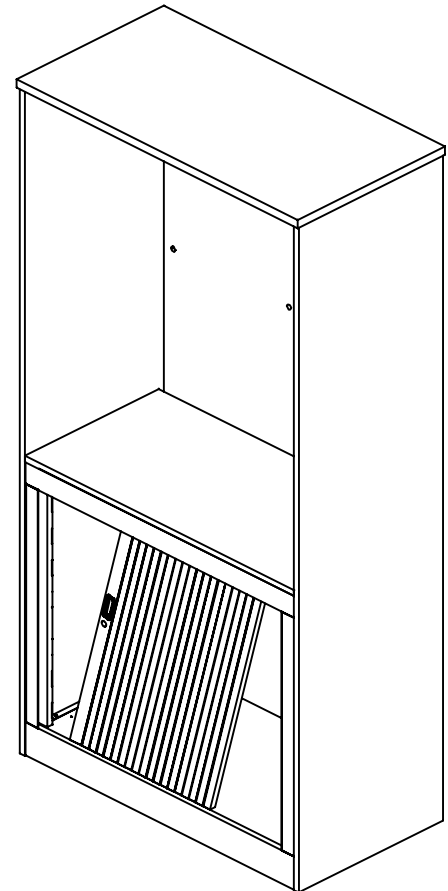
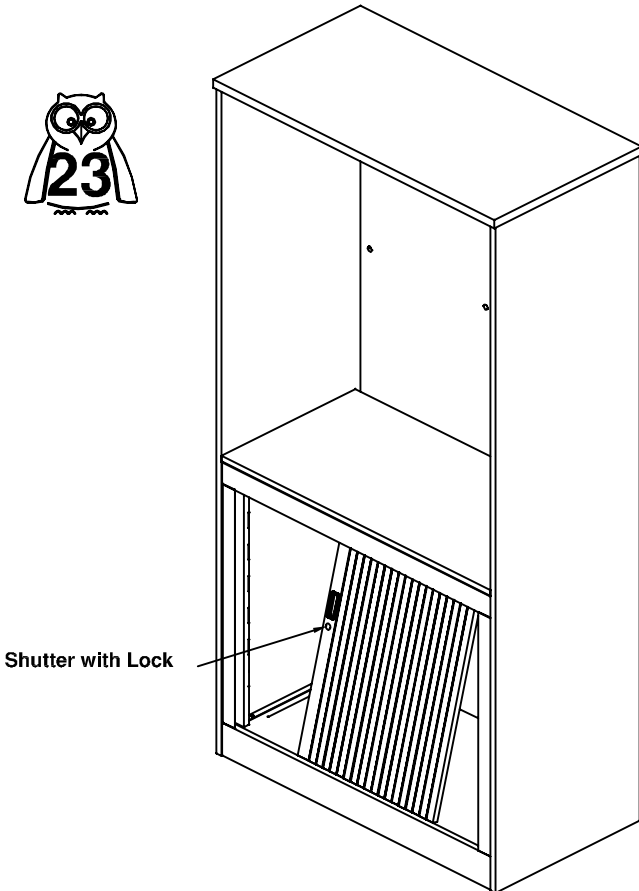
Ensure the track is pushed over to the left hand side and pushed up against the front plinth.
Secure each track using 6 screws

REPEAT FOR RIGHT HAND SIDE AND FOR MIDDLE SHELF





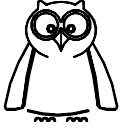
Screw the steel inners Z8T into place.



- Step 1**
Tilt tambour shutter into the top of the cabinet.
- Step 2**
Locate shutter into the bottom track.
- Step 3**
Peel tape from the back of the shutter.

- Step 4**
Tilt towards LH whilst locating into the top track.
- Step 5**
Keeping the shutter vertical, push into the open position.
- Step 6**
Repeat step 1 to 5 for left hand shutter.

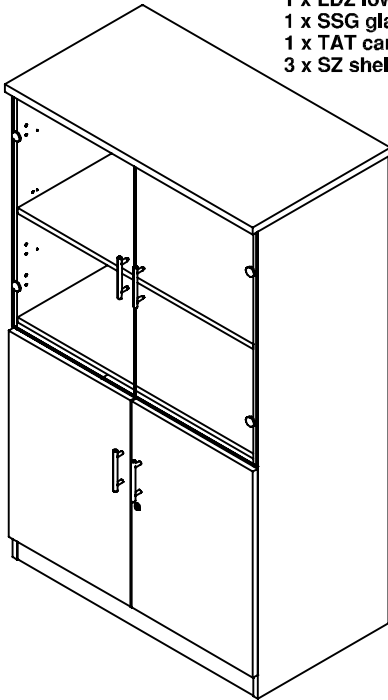
See LDZ, SSG & SLG instructions for assembling doors.
SEE EXAMPLES BELOW



DG16 using products TAT / SDZ / SSG & SZ

DG16

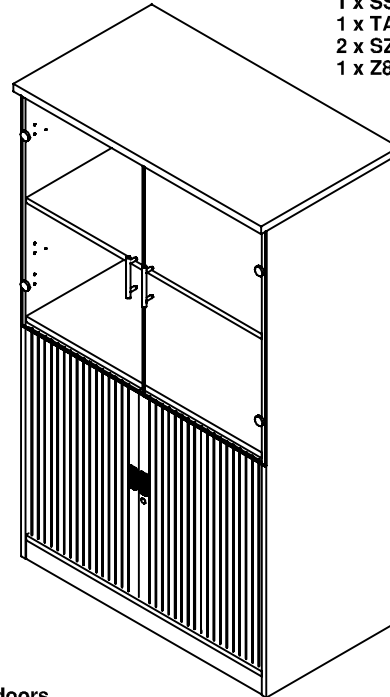
Products required
1 x LDZ low wood doors
1 x SSG glass doors
1 x TAT carcass
3 x SZ shelves



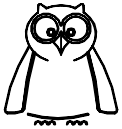
TG16 using products TAT / Z8T / SSG / Z8S & SZ

TG16

Products required
1 x Z8T Tambour doors
1 x SSG glass doors
1 x TAT carcass
2 x SZ shelves
1 x Z8S Steel inners



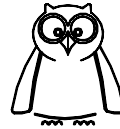
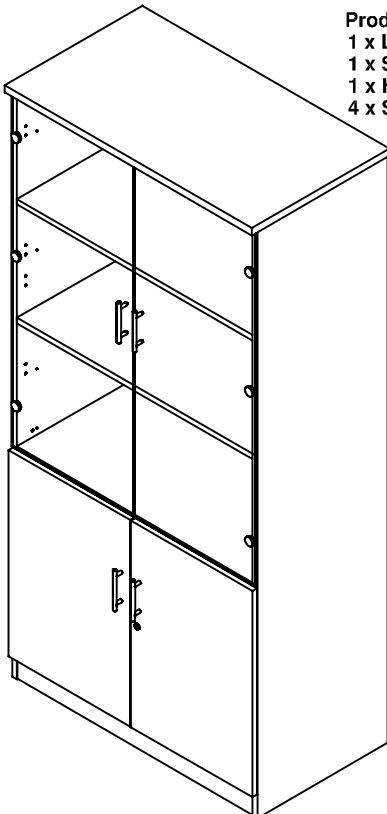
For installation of glass doors & Wood doors see assembly instructions packed with doors.



DG20 using products HT / SDZ / SLG & SZ

DG20

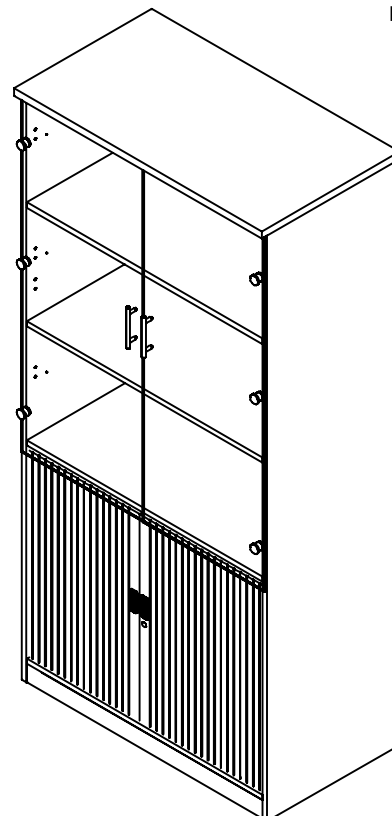
Products required
1 x LDZ low wood doors
1 x SLG glass doors
1 x HT carcass
4 x SZ shelves



TG20 using products HT / Z8T / SLG / Z8S & SZ

TG20

Products required
1 x Z8T Tambour doors
1 x SLG glass doors
1 x HT carcass
3 x SZ shelves
1 x Z8S Steel inners



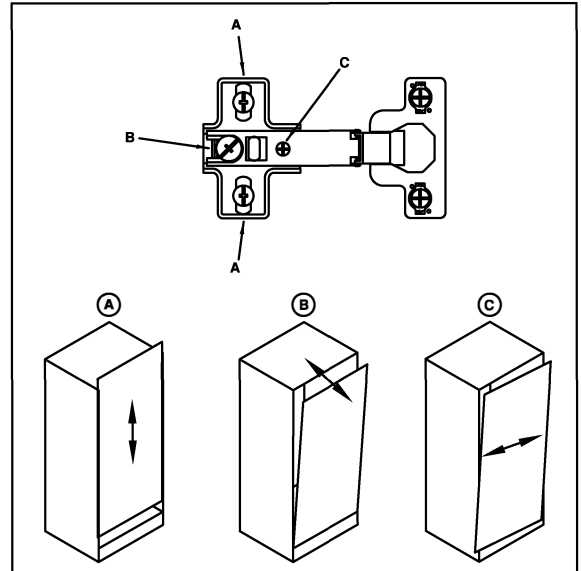
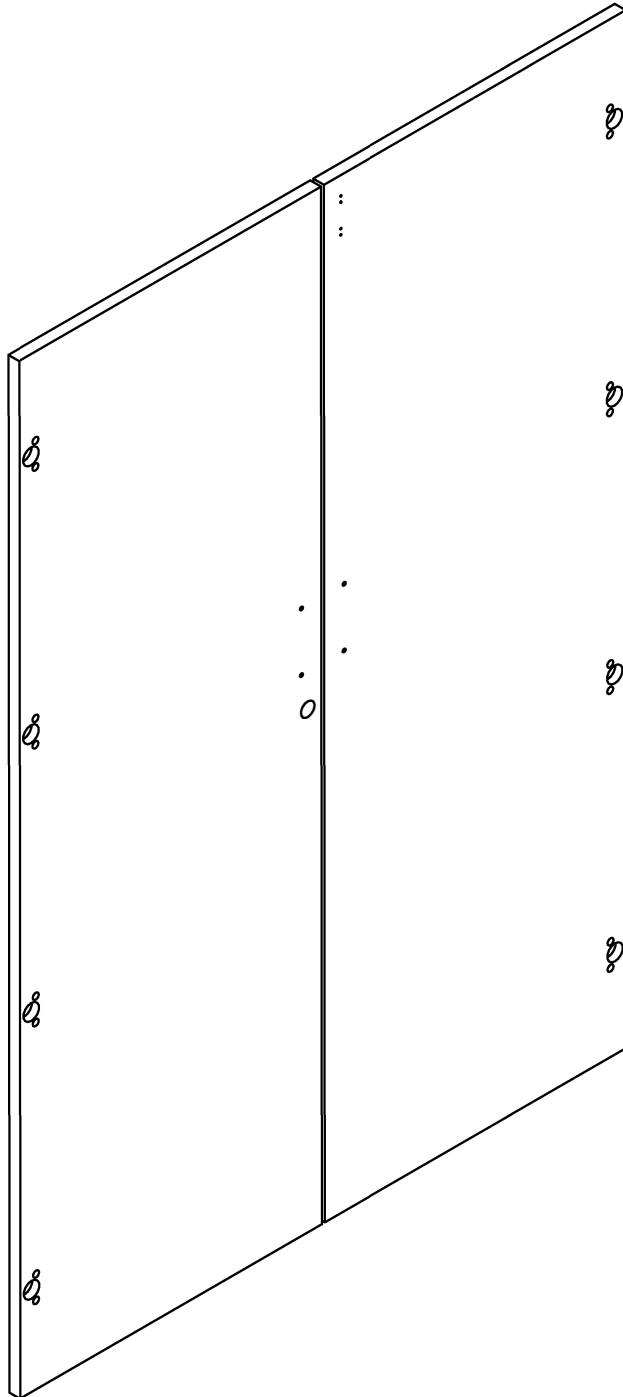
For installation of glass doors & Wood doors see assembly instructions packed with doors.

TDZ &





TALL DOOR

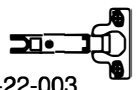

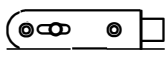


HDZ

HIGH DOOR



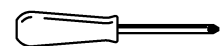
If the doors are not correctly alligned, see diagram above to rectify.

FITTINGS	
	2
012-01-005 3/4 X 7 SCREW	A
	4
012-01-027 3.5 X 15 SCREW	B
	1
012-01-027 LOCK	C
	4
000-00-018 M4 x 22 SCREW	D

	8
111-22-003 HINGE	E
	8
111-22-004 HINGE PLATE	F
	1
	G
012-01-019 LATCH AND CLIP	
	2
000-00-017 LARGO HANDLE	H



Start the assembly of this product by familiarising yourself with each component and this instruction sheet, this will make assembly easier. Once all parts have been identified, follow the instructions carefully and do not proceed until each step has been completed.

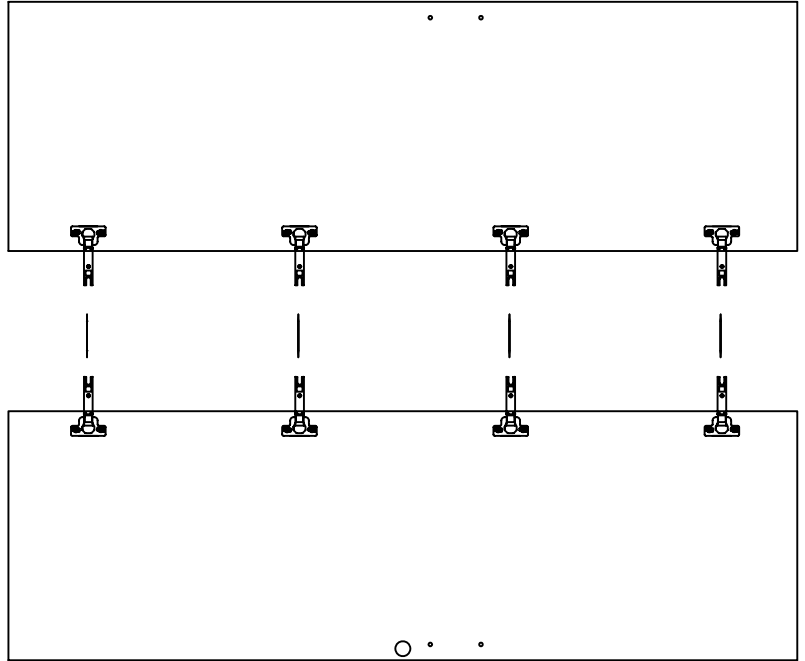
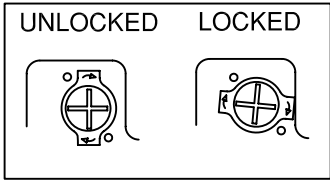
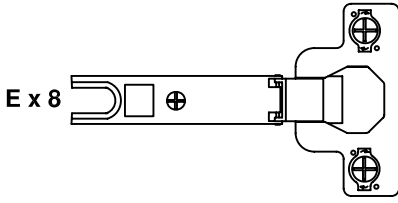


Required for use in assembly.

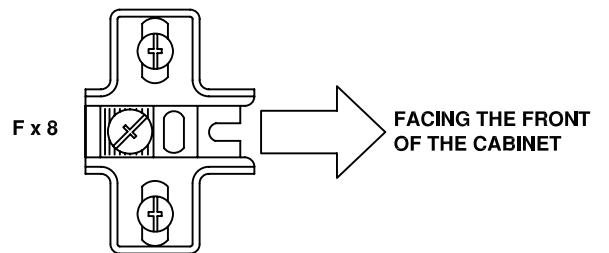
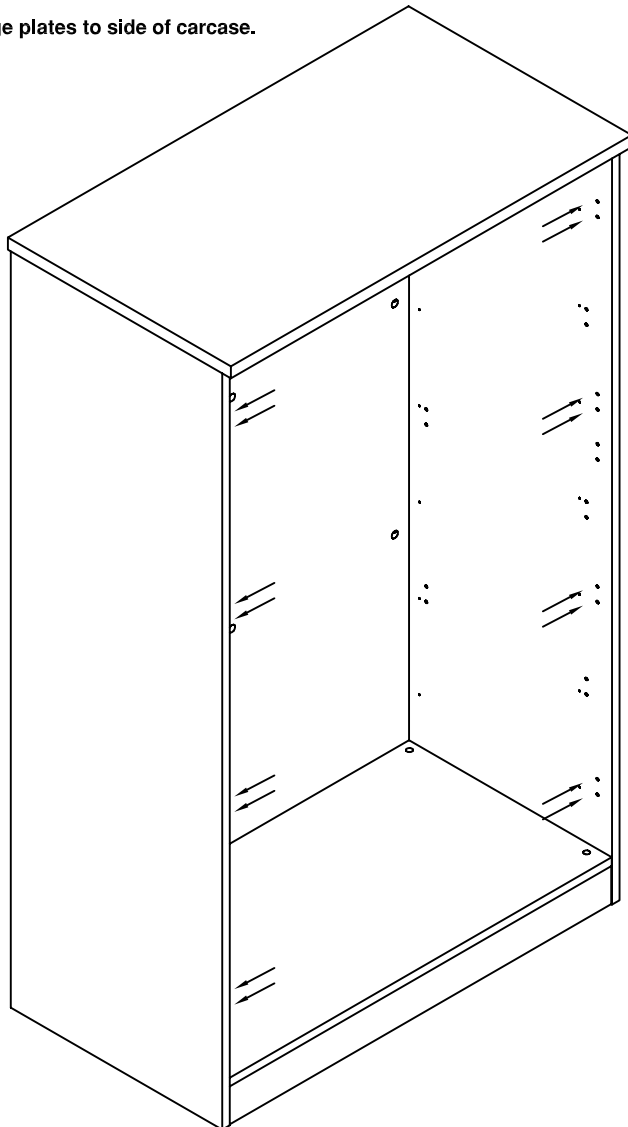
Note: Instruction shows tall doors fitted to tall cupboards. The same principle is repeated for the other size doors.



Position hinges as shown and push the plastic inserts into the pre-drilled holes.
Once in position turn the screws into the locked position.

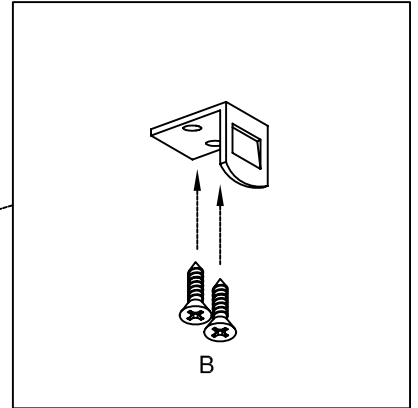
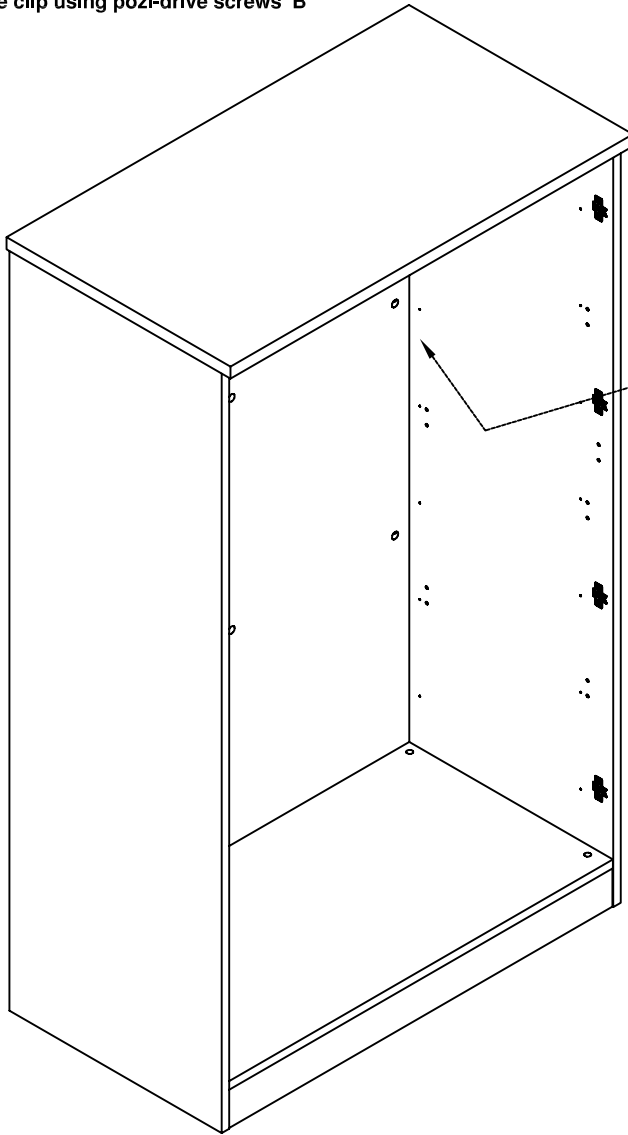


Screw hinge plates to side of carcass.





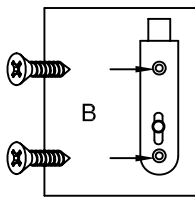
Attach the clip using pozi-drive screws 'B'



Attach the latch to the LH door.



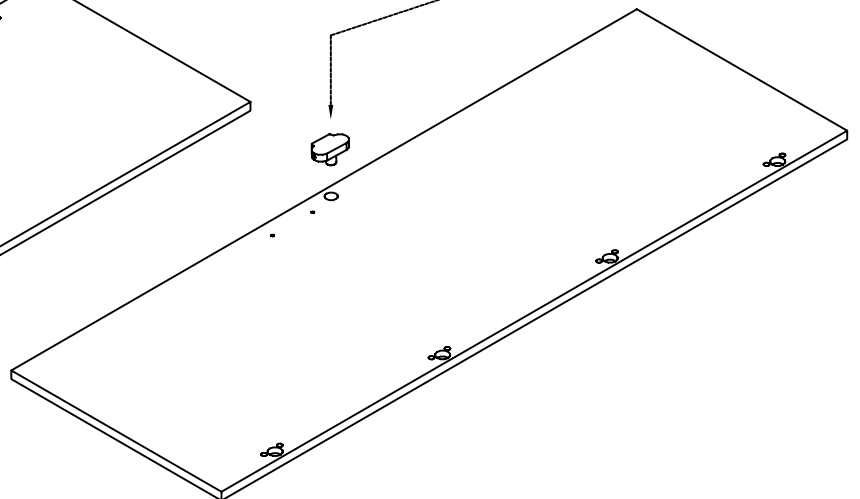
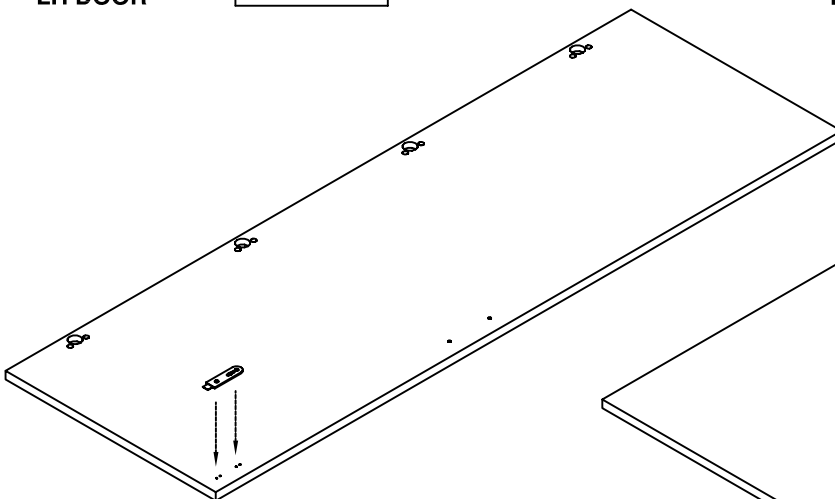
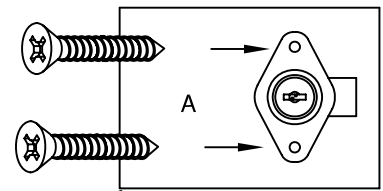
LH DOOR



Attach the lock to the RH door.



RH DOOR



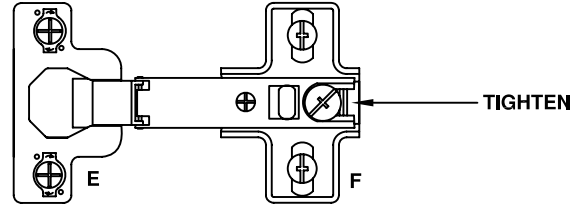
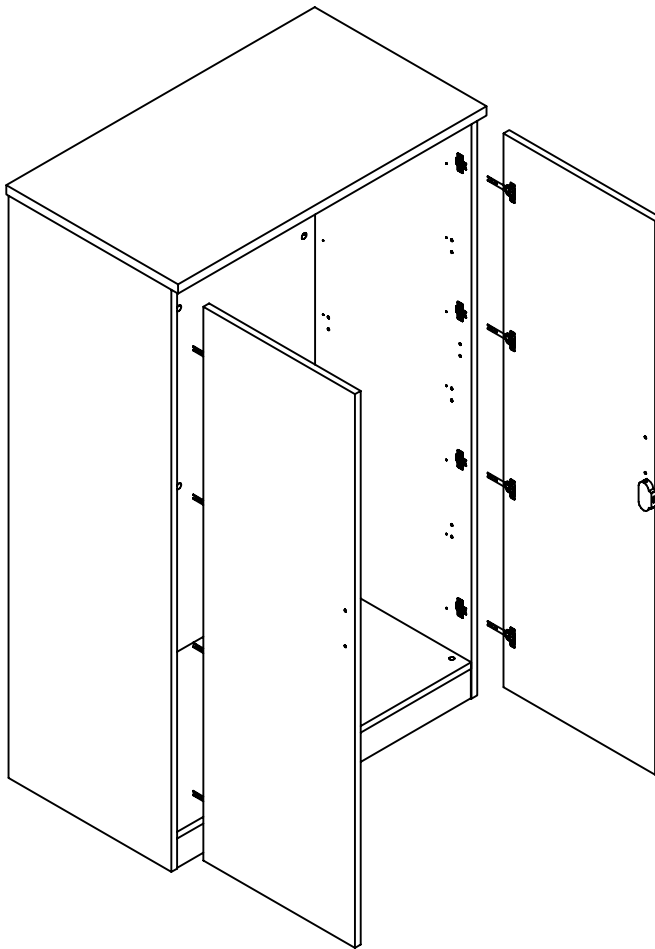
Fix the latch at the top hole when fitting full height doors



Locate hinge part 'E' onto the hinge plate part 'F' inside the cupboard.

Once in place tighten the screw to hold the door in place.

(Please note once all doors have been fixed into place refer to front page of this instruction to align doors).



Attach the handles with the screws supplied.

