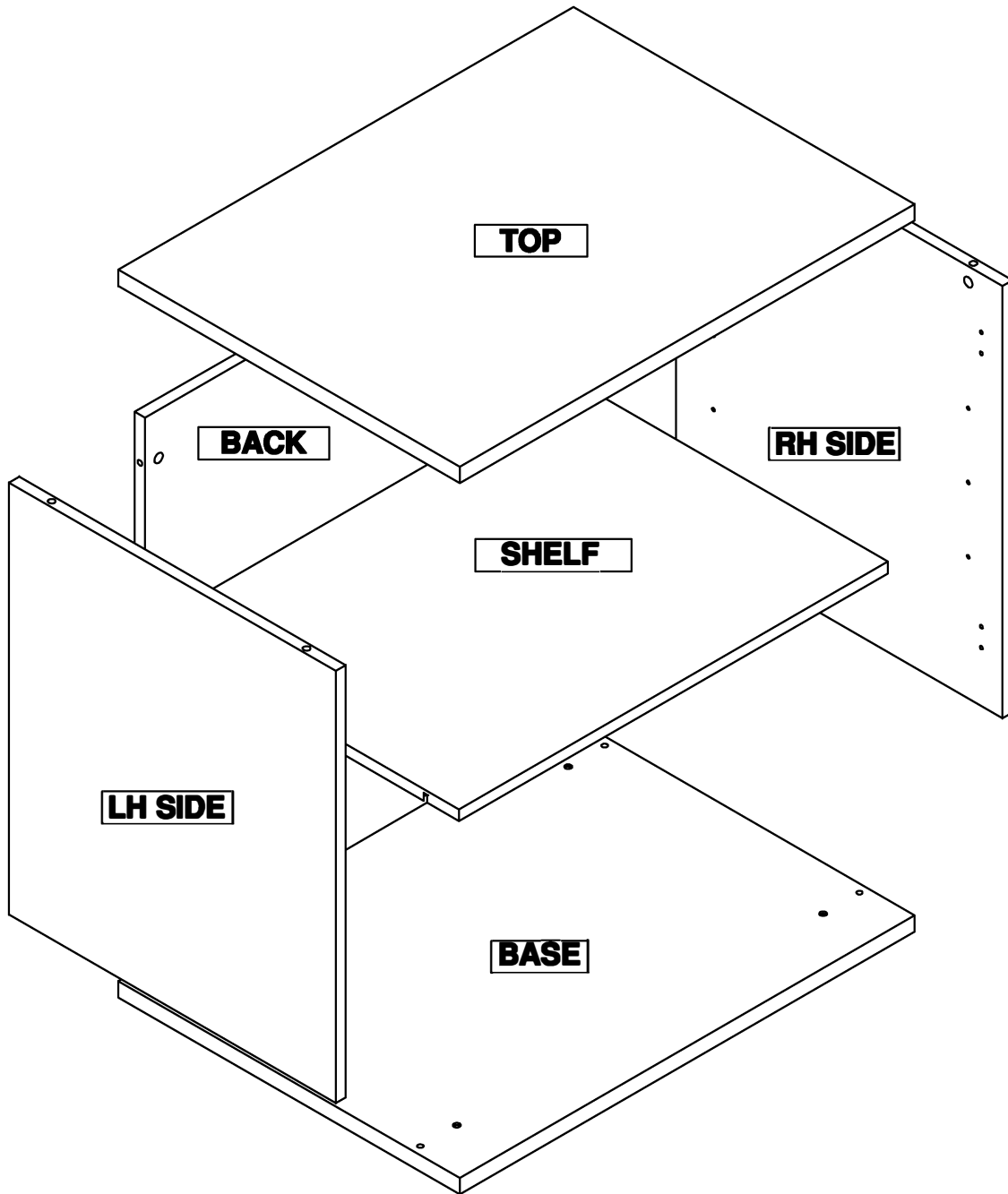


DHBC
DESK HIGH BOOKCASE



Tools Required

A hammer and a screwdriver are shown as the tools required for assembly.

<p>Dia 38mm Foot 000-00-004</p> <p>Quantity: 4</p>	<p>M8 T-Nut 012-01-026</p> <p>Quantity: 4</p>	<p>Titus pin 011-01-014</p> <p>Quantity: 6</p>	<p>Confirmat screw 50 111-22-067</p> <p>Quantity: 6</p>
<p>Quick fix pin 012-01-099</p> <p>Quantity: 10</p>	<p>Cam 15N 111-22-021</p> <p>Quantity: 10</p>	<p>Titus bung 011-01-013</p> <p>Quantity: 6</p>	

1

Cam 15N
111-22-021

Quantity: 6



BACK

2

Quick fix pin
012-01-099

Quantity: 4



TOP

3

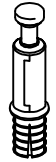
RH SIDE

LH SIDE



Quick fix pin
012-01-099

Quantity: 3



Cam 15N
111-22-021

Quantity: 2



4

Titus bung
011-01-013

Quantity: 6



SHELF

5

LAY PANEL ON A FLAT HARD SURFACE BEFORE
KNOCKING T-NUTS INTO THE BASE.

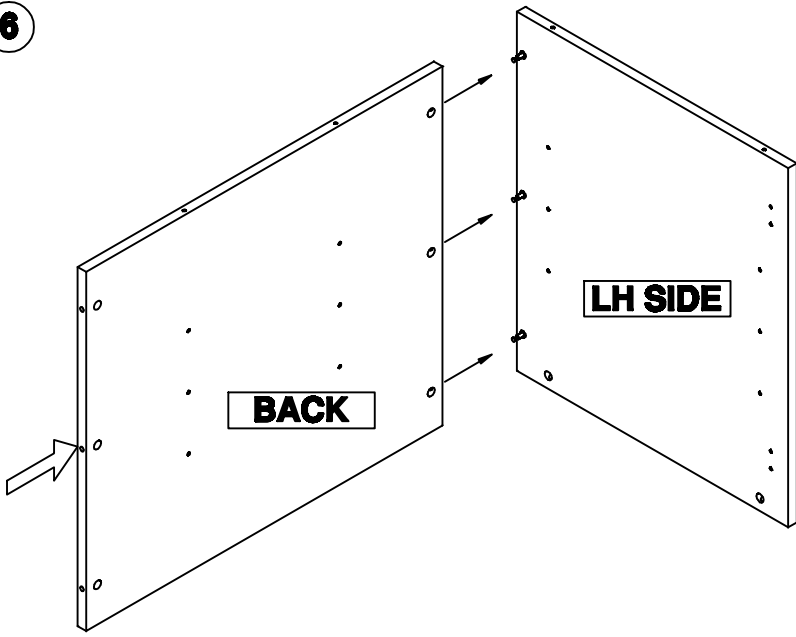
M8 T-Nut
012-01-026

Quantity: 4

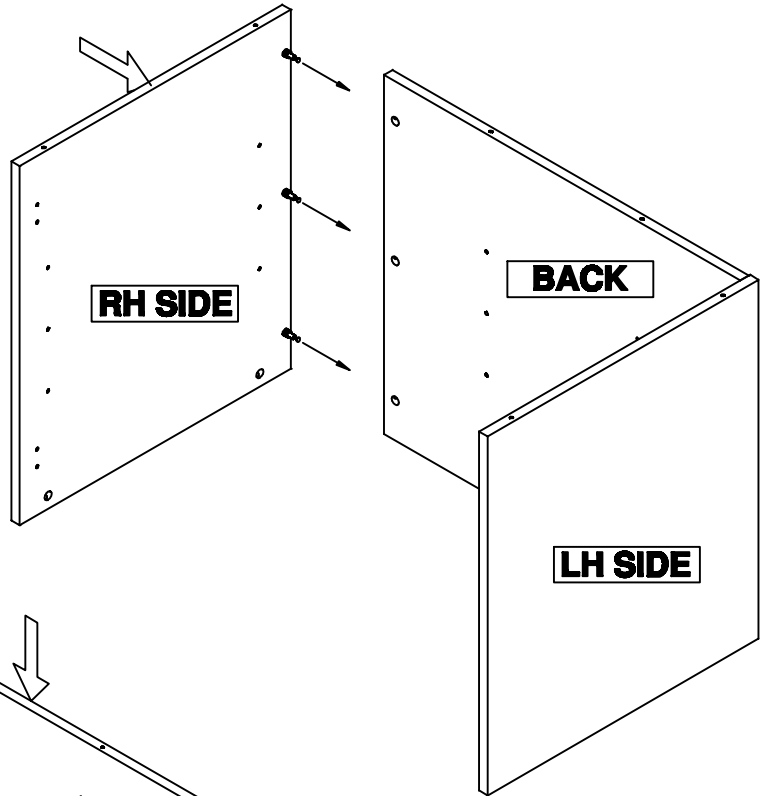


BASE

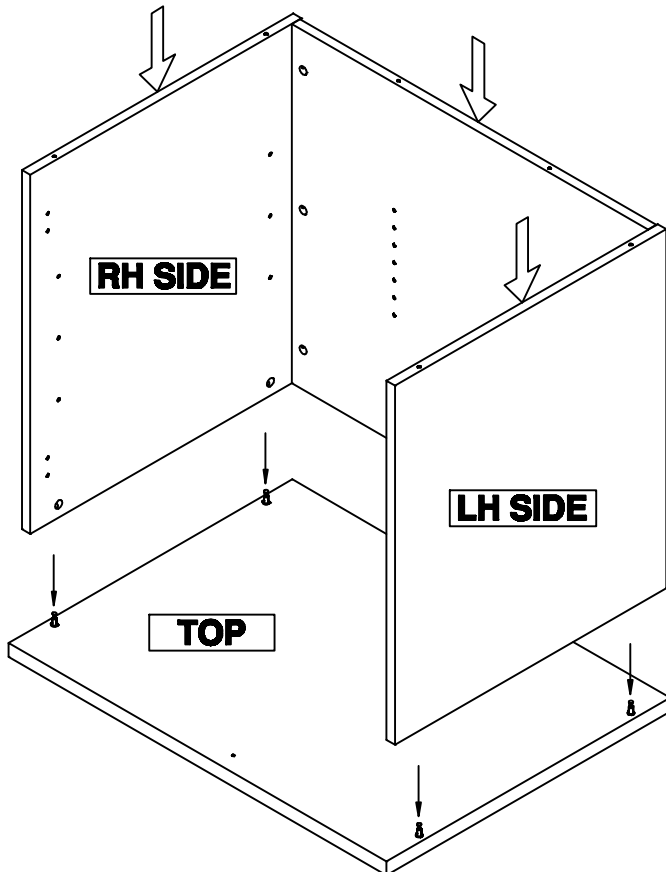
6



7



8

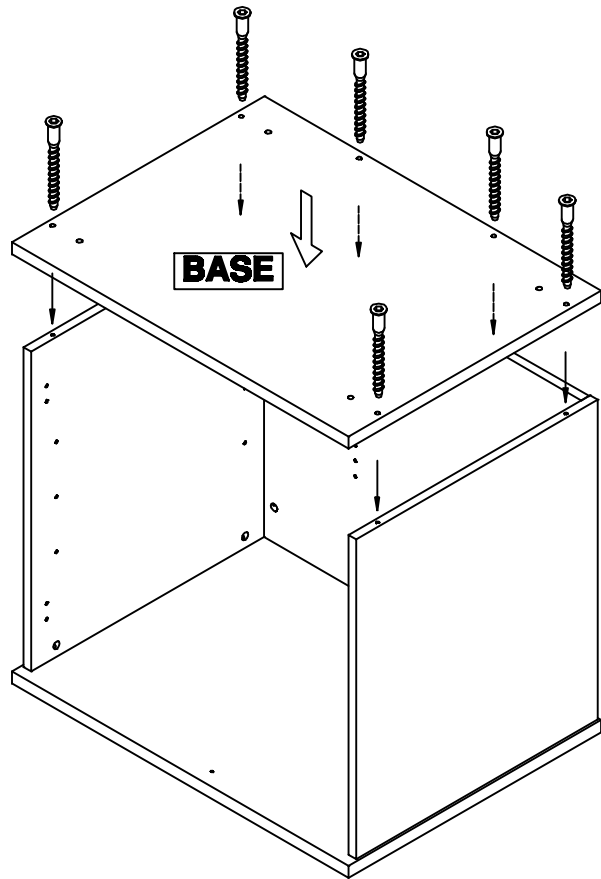


9

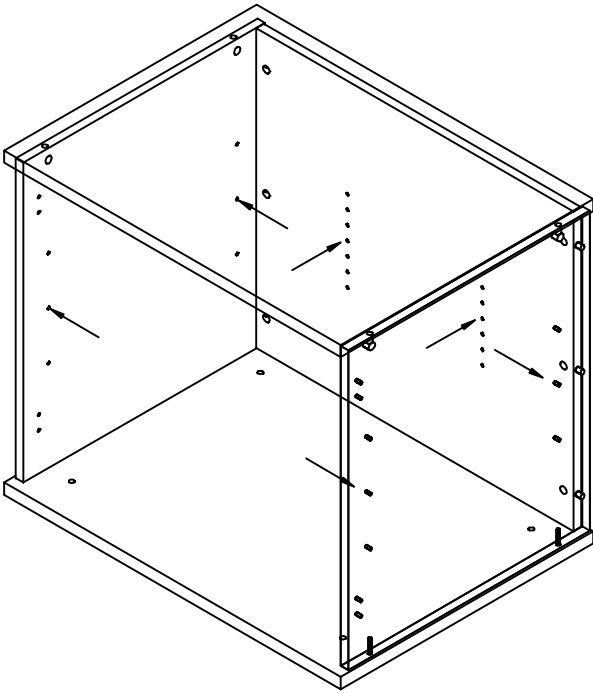
Confirmat screw 50
111-22-087



Quantity: 6



10



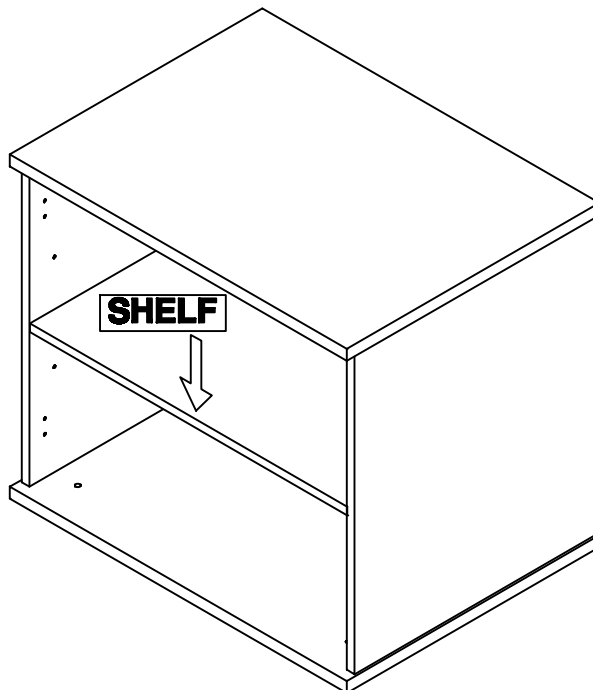
Titus pin
011-01-014



Quantity: 6

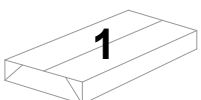
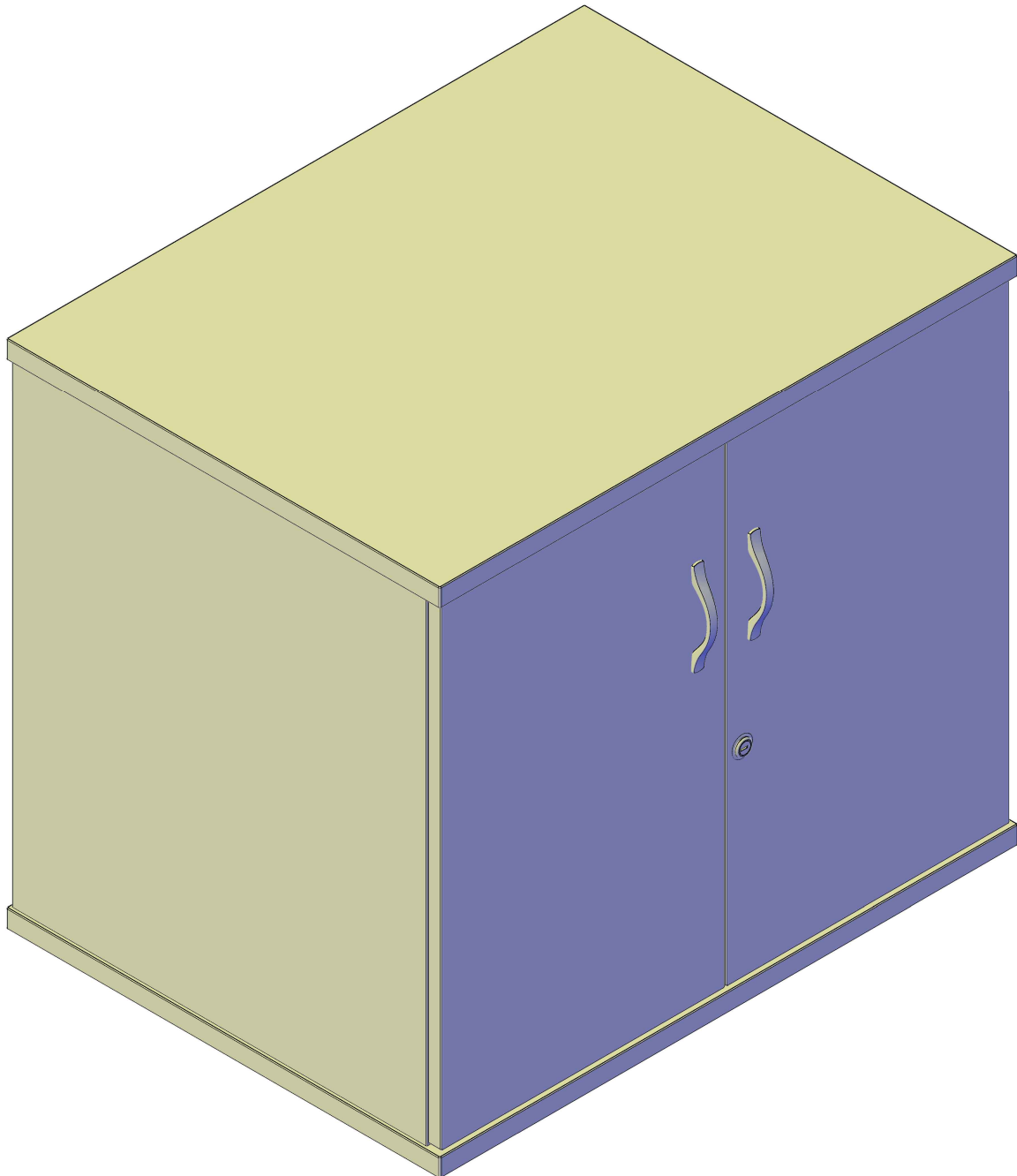
SCREW THE PINS INTO THE DESIRED POSITION
(2 PER SIDE + 2 ON THE BACK PANEL)

11

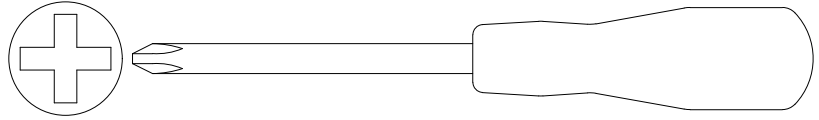


DPDHD

Desk High Door Pack

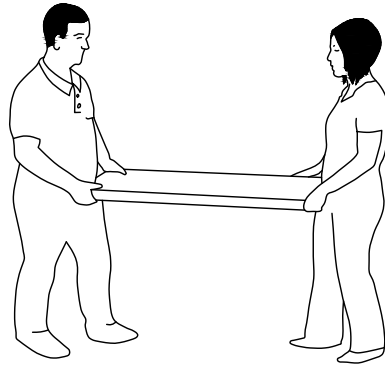
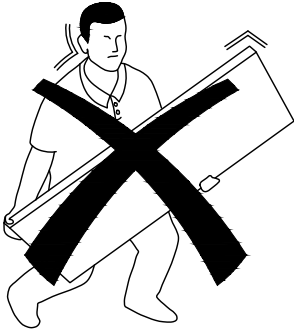


**TOOLS REQUIRED
FOR ASSEMBLY**

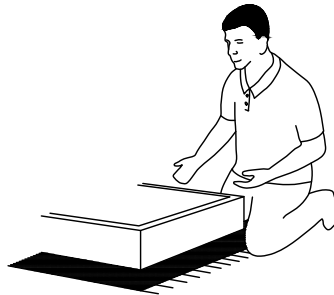
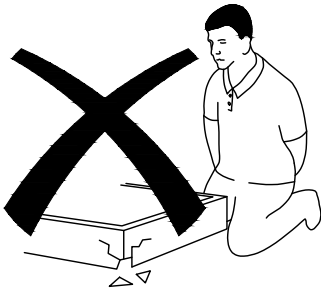


PHILLIPS (PH2) OR POZI (PZ2) SCREWDRIVER

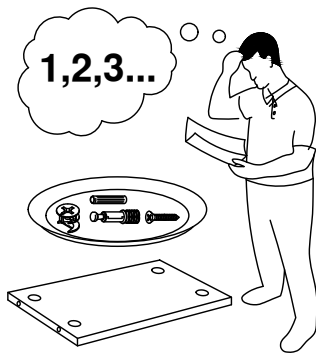
**DONT STRUGGLE
2 MAN LIFT**



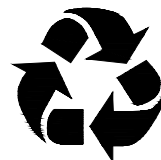
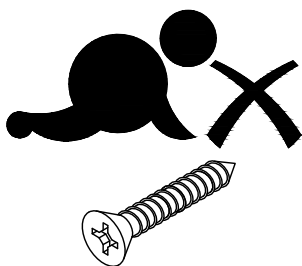
**ALWAYS HANDLE
ITEMS WITH CARE**



**IF UNSURE CALL
FOR ASSISTANCE**

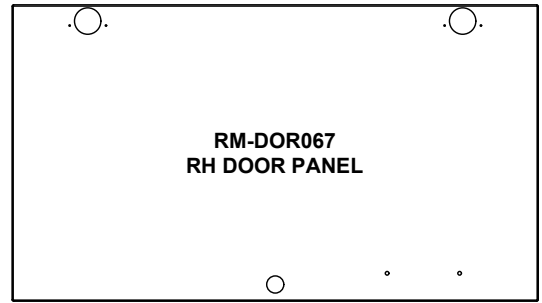


**KEEP FITTINGS AWAY
FROM CHILDREN**



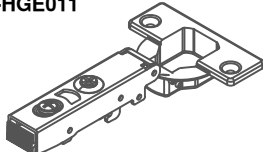
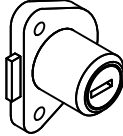

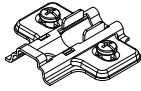
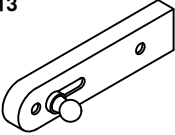
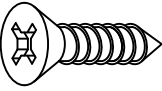
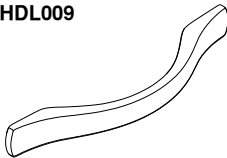
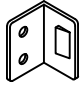
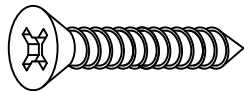


Please check that you have all the panels!



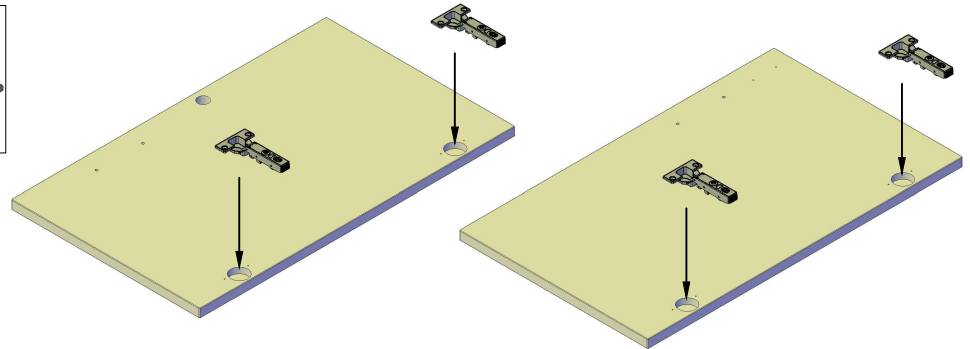
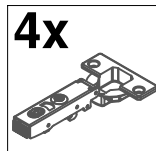
Please check that you have all the fittings!



4	110' Clip On - Soft Close Hinge RM-HGE011 	1	Door Lock RM-LOK11 	4	M4x22mm Handle Screw RM-SCR25 
4	Clip On Hinge Plate RM-HGP011 	1	Door Latch RM-LOK13 	10	3.5x15mm Wood Screw RM-SCR26 
2	96mm Bow Handle RM-HDL009 	1	Door Clip RM-LOK12 	4	4.0 X 20mm Wood Screw RM-SCR37 

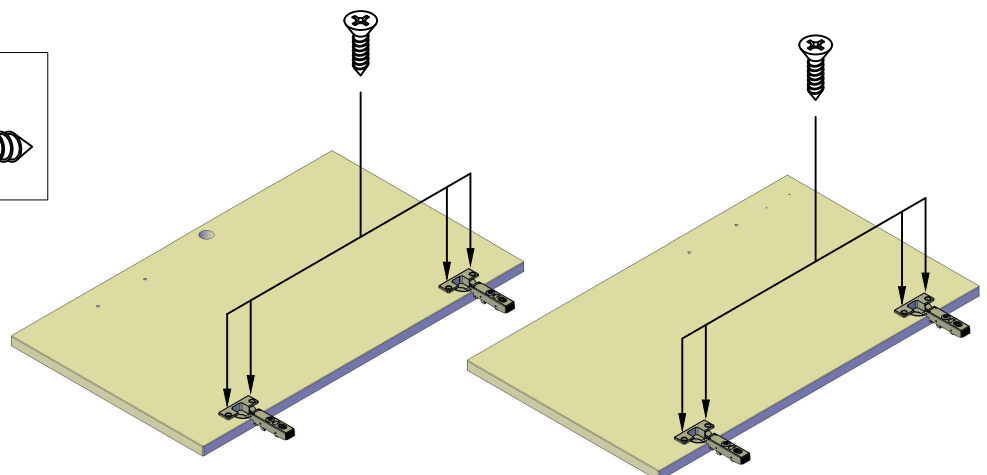
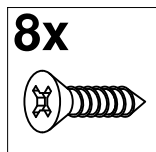
1

Step 1
Place the hinges into the pre drilled holes on the inside face of each door panel.



2

Step 2
Attach the hinges using the 3.5 x 15mm wood screws, 2 screws per hinge.



3

Step 3
Attach the hinge plates to the pre drilled holes on the inside face of the bookcase side panels, these plates are fitted with pre attached screws.

Ensure the plate is fitted as per diagram 1.

4x

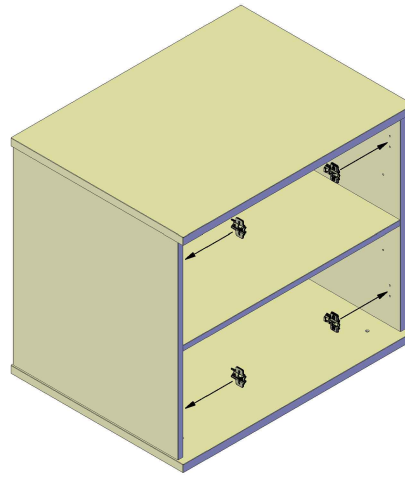
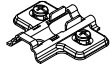
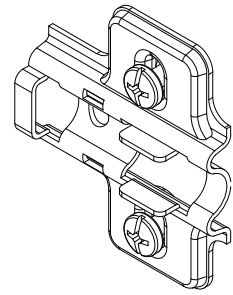


Diagram 1



EDGE OF BOOKCASE

4

Step 4
Attach both doors to the bookcase. Diagrams 2 & 3 show how to lock the hinge to the plate.

Always lock the top hinge into place first before repeating for all hinges.

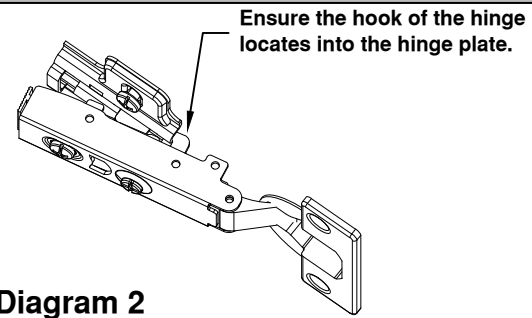
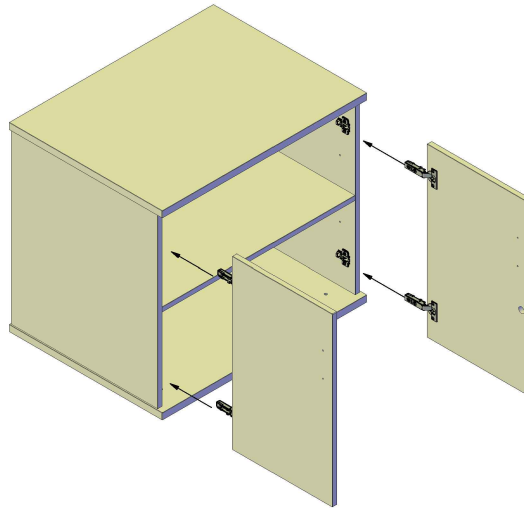


Diagram 2

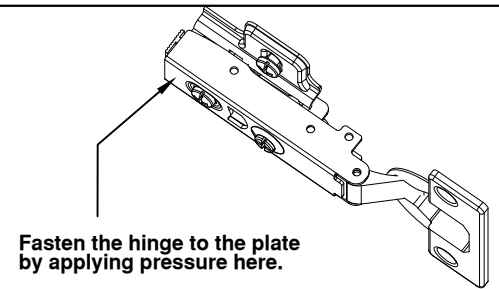


Diagram 3

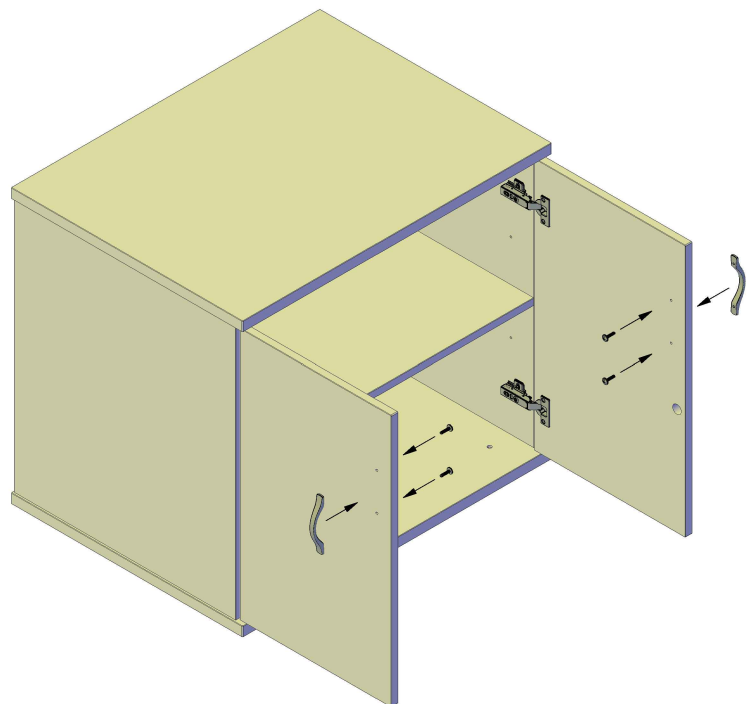
5

Step 5
Attach handles to both doors using the M4x22 screws.

2x



4x



6

Step 6
 Insert the lock into the back face of the RH door, the rosette should be placed over the exposed lock barrel on the front face of the door.

Align the lock with the edge of the door as shown in diagram 4.

Fix the lock in place using two of the 4x20mm wood screws.

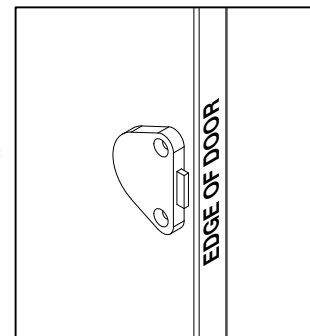
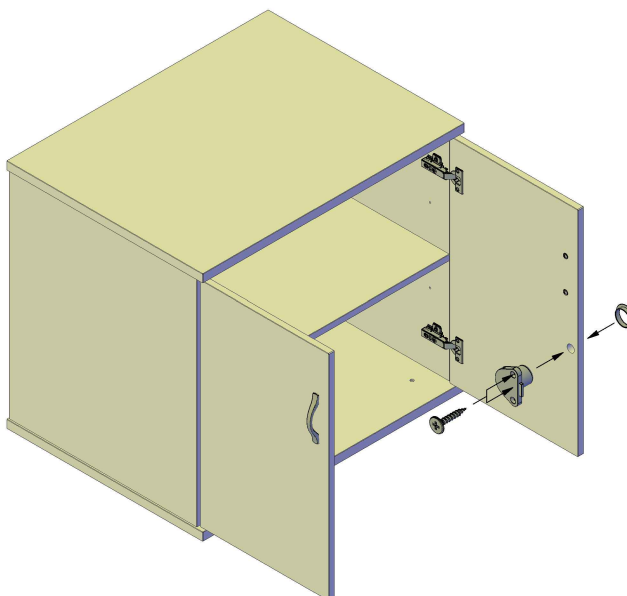
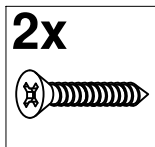


DIAGRAM 4

7

Step 7
 Attach the door latch to the rear face of the LH door.

See diagram 5 for fixing position to be used for both standard double door or combination units.

Fix the lock in place using the remaining x 4x20mm wood screws.

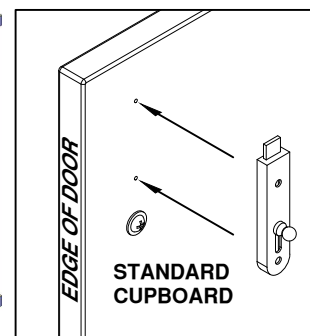
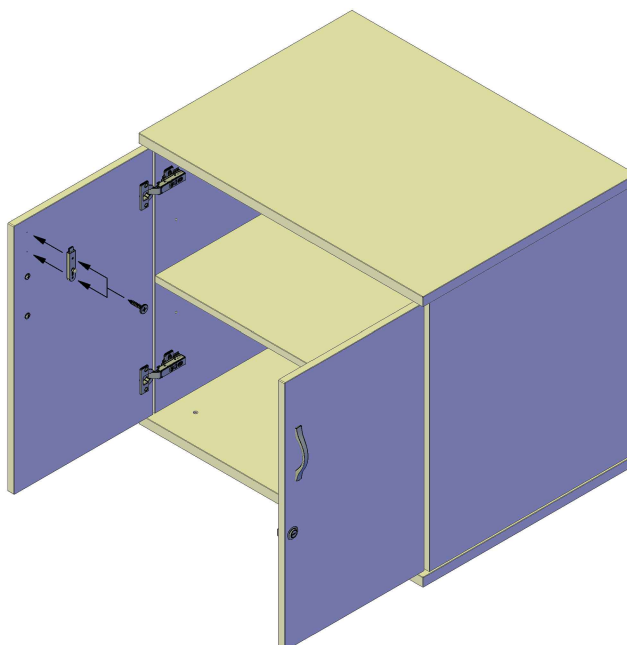
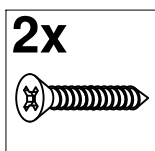
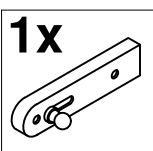


DIAGRAM 5

8

Step 8
 Attach the latch strike plate to the underside of the bookcase top.

This should be fitted to the 2 pre drilled holes and aligned with the front edge of the bookcase top as shown in diagram 6.

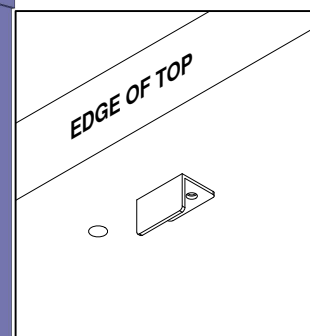
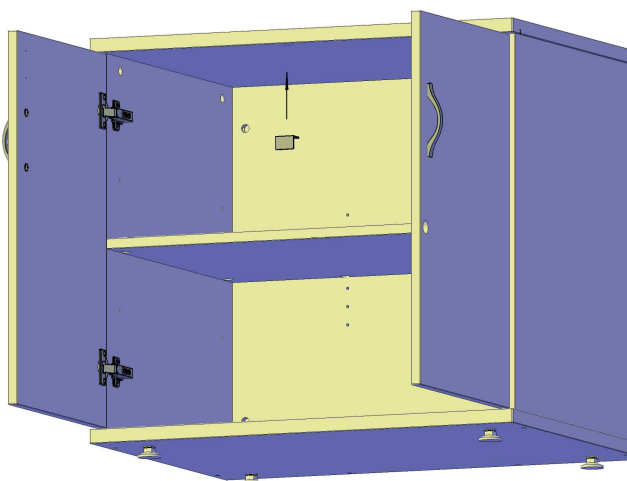
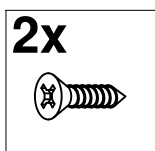
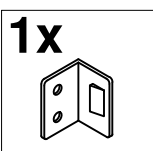
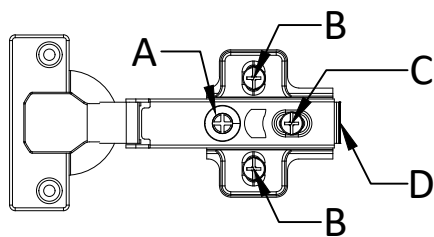
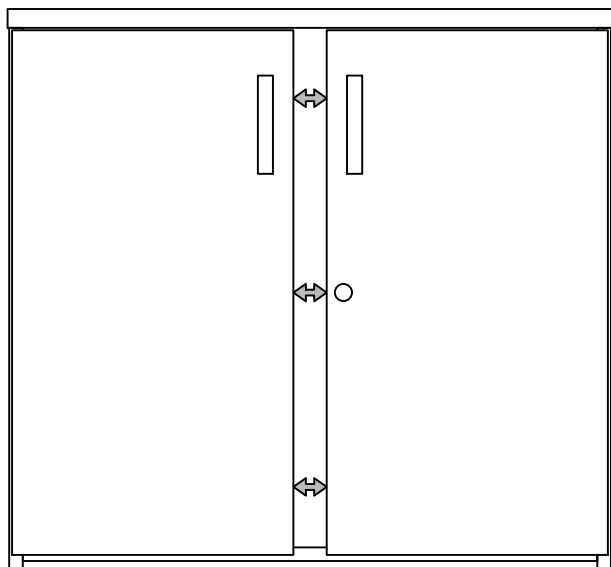


DIAGRAM 6

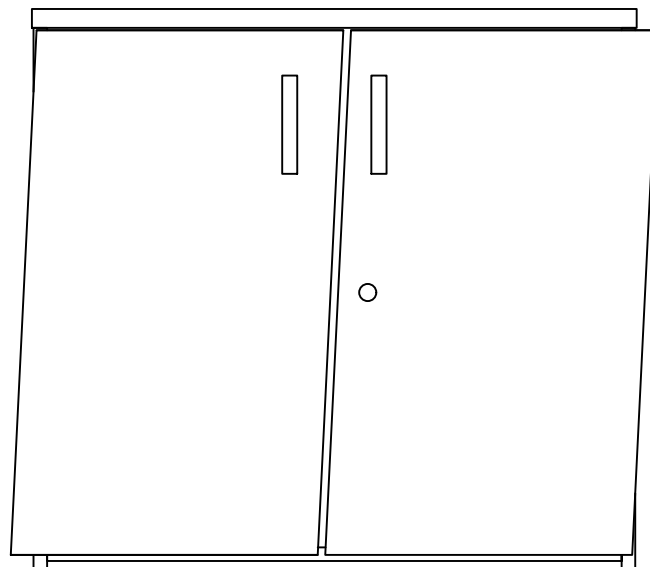
DOOR ADJUSTMENT AND ALIGNMENT



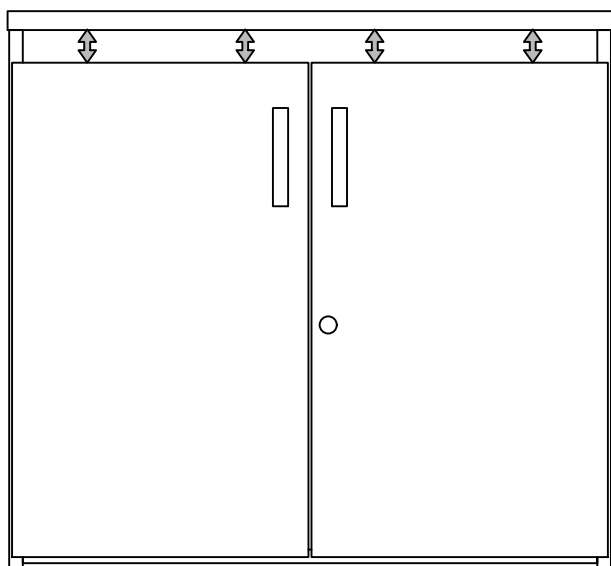
- A - SIDE ADJUSTMENT
- B - HEIGHT ADJUSTMENT
- C - DEPTH ADJUSTMENT
- D - DOOR RELEASE BUTTON



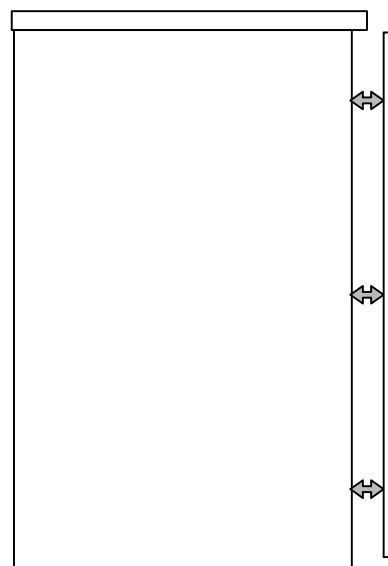
TO ADJUST THE GAP BETWEEN DOORS
 Apply equal adjustment to point A on all hinges.
 Tighten to make the gap smaller.
 Loosen to make the gap larger.



TO RE ALIGN SKEWED DOORS
 Adjust point A on individual hinges to re align accordingly.
 Tightening the top hinges will rotate the door clockwise.
 Tightening the bottom hinges will rotate the door anti-clockwise.



TO ADJUST THE GAP BETWEEN DOOR AND TOP
 Loosen all point B screws without removing them.
 Once loose lift the door to close any gap.
 Whilst the door is held in its preferred position
 re tighten all point B screws again.



TO ADJUST THE GAP BETWEEN DOOR AND SIDE PANEL
 Loosen point C screws on all hinges.
 Slide the hinge to your preferred position
 and re tighten point C screws.

TO COMPLETELY REMOVE DOORS ACTIVATE BUTTON D ON ALL HINGES

POWER TOOLS SHOULD NEVER BE USED FOR ANY ADJUSTMENTS