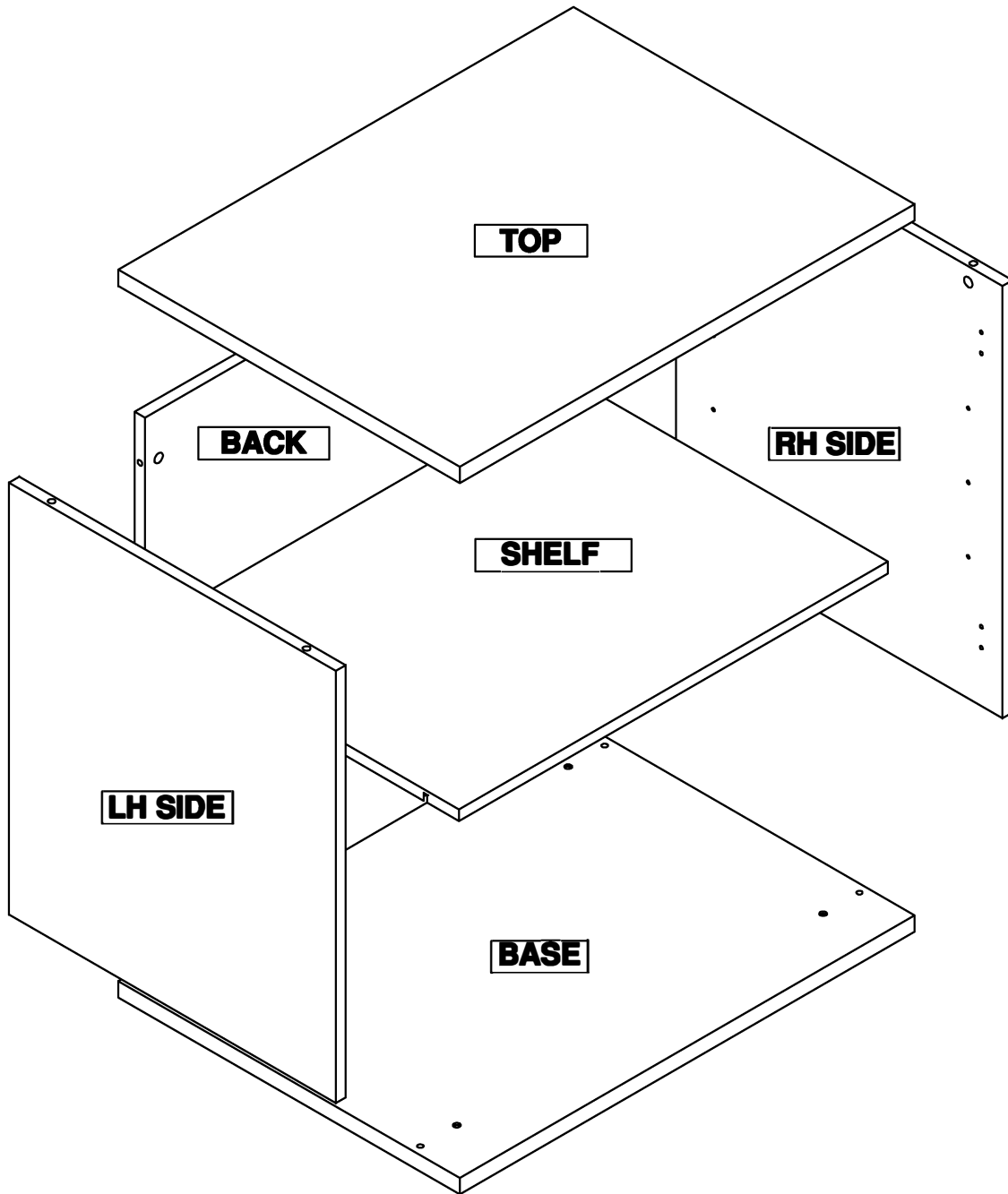


DHBC
DESK HIGH BOOKCASE



Tools Required

A hammer and a screwdriver are shown as the tools required for assembly.

<p>Dia 38mm Foot 000-00-004</p> <p>Quantity: 4</p>	<p>M8 T-Nut 012-01-026</p> <p>Quantity: 4</p>	<p>Titus pin 011-01-014</p> <p>Quantity: 6</p>	<p>Confirmat screw 50 111-22-067</p> <p>Quantity: 6</p>
<p>Quick fix pin 012-01-099</p> <p>Quantity: 10</p>	<p>Cam 15N 111-22-021</p> <p>Quantity: 10</p>	<p>Titus bung 011-01-013</p> <p>Quantity: 6</p>	

1

Cam 15N
111-22-021

Quantity: 6



BACK

2

Quick fix pin
012-01-099

Quantity: 4



TOP

3

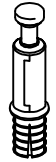
RH SIDE

LH SIDE



Quick fix pin
012-01-099

Quantity: 3



Cam 15N
111-22-021

Quantity: 2



4

Titus bung
011-01-013

Quantity: 6



SHELF

5

LAY PANEL ON A FLAT HARD SURFACE BEFORE
KNOCKING T-NUTS INTO THE BASE.

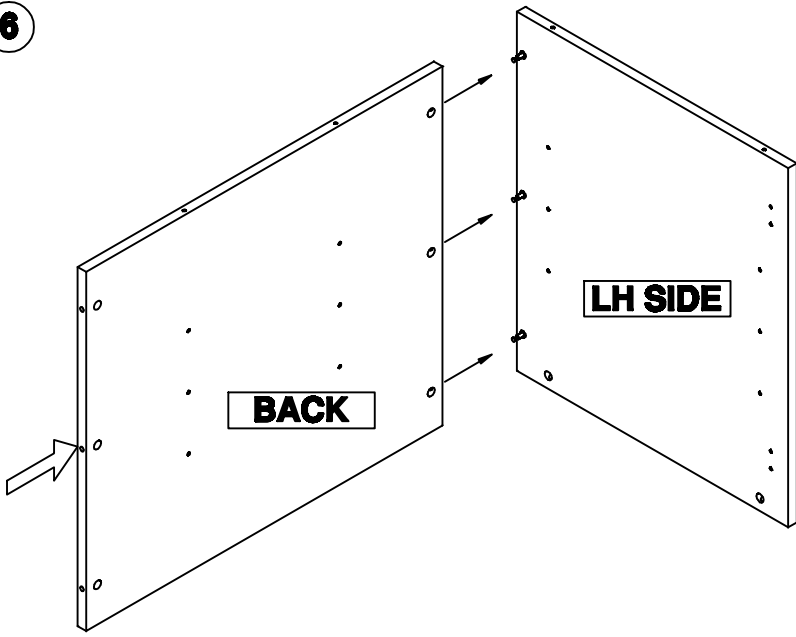
M8 T-Nut
012-01-026

Quantity: 4

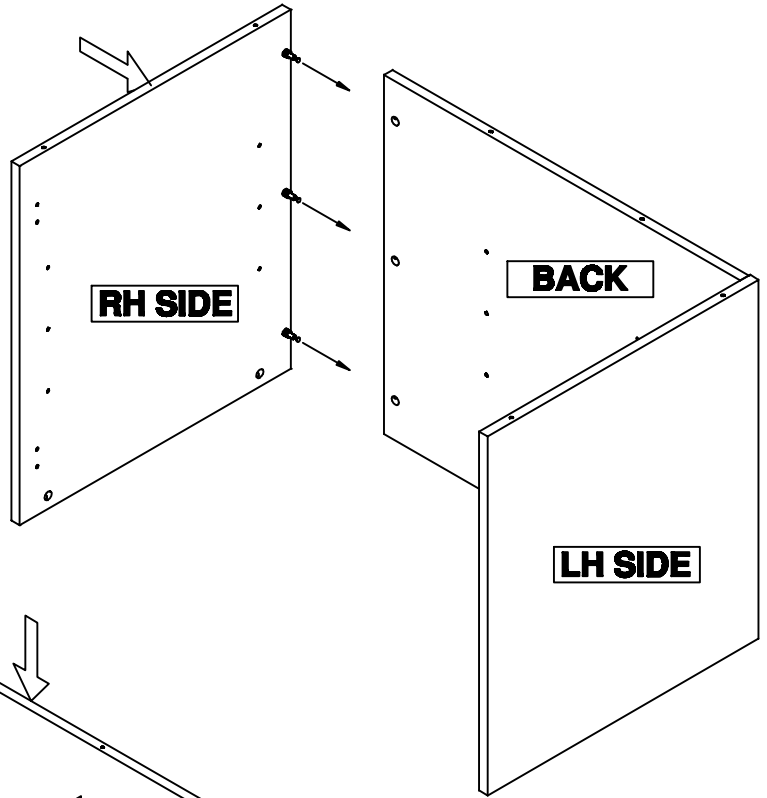


BASE

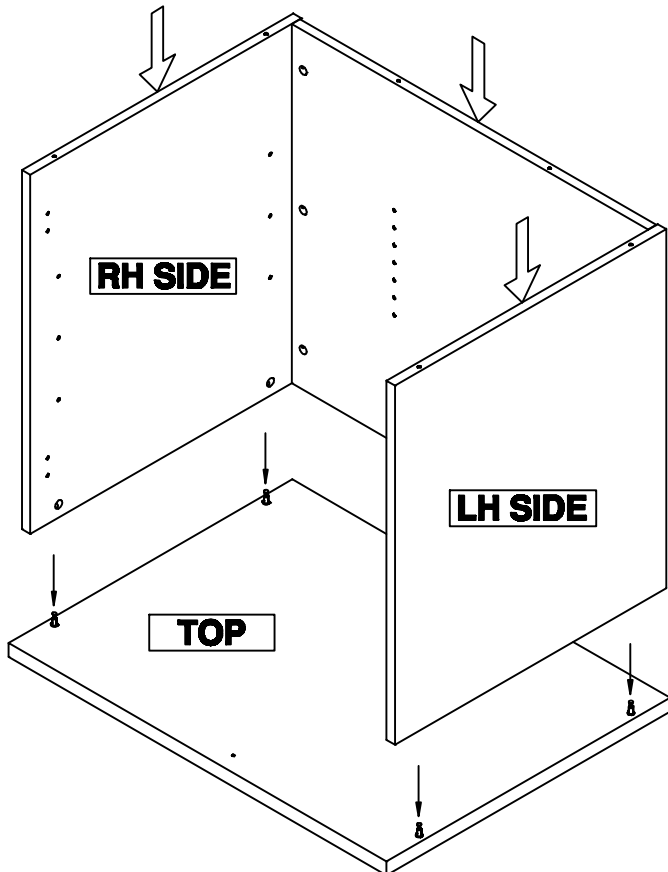
6



7



8

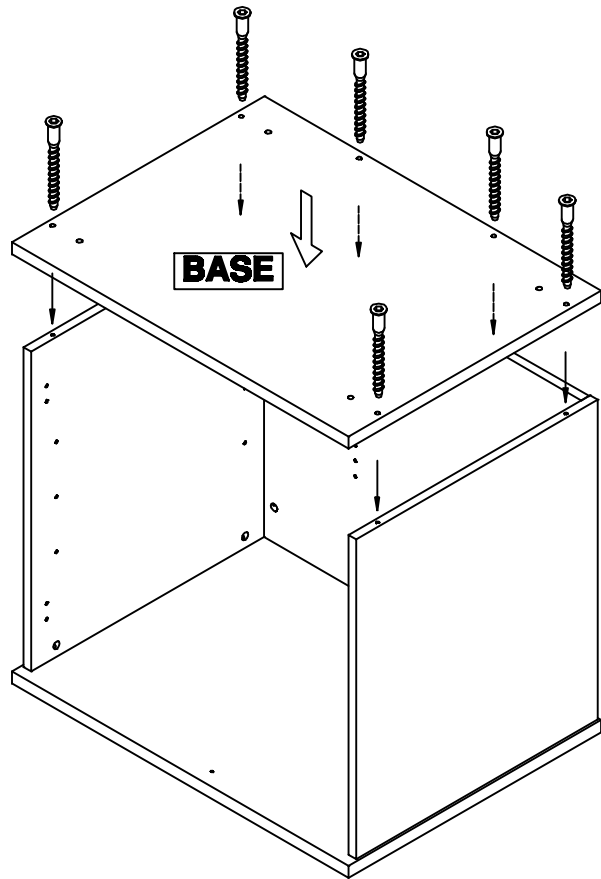


9

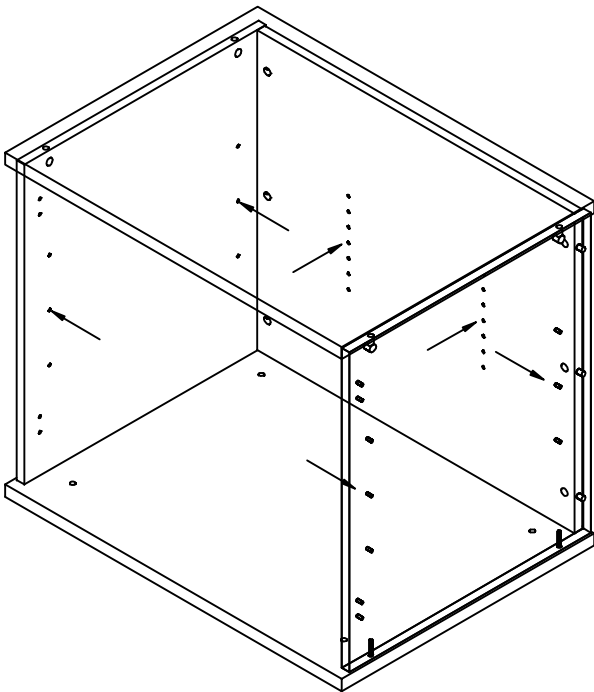
Confirmat screw 50
111-22-087



Quantity: 6



10



Titus pin
011-01-014



Quantity: 6

SCREW THE PINS INTO THE DESIRED POSITION
(2 PER SIDE + 2 ON THE BACK PANEL)

11

