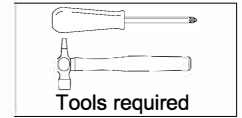




Please read before assembling the product



Carefully open packaging.

Check you have all the components shown on instructions sheets. Some products, instructions and fittings are packed in more than one box.

Handle Panels with care. Complete each stage before going to the next one.

Please keep packaging until assembly is complete. We hope that you are happy with the product.



Please recycle packaging



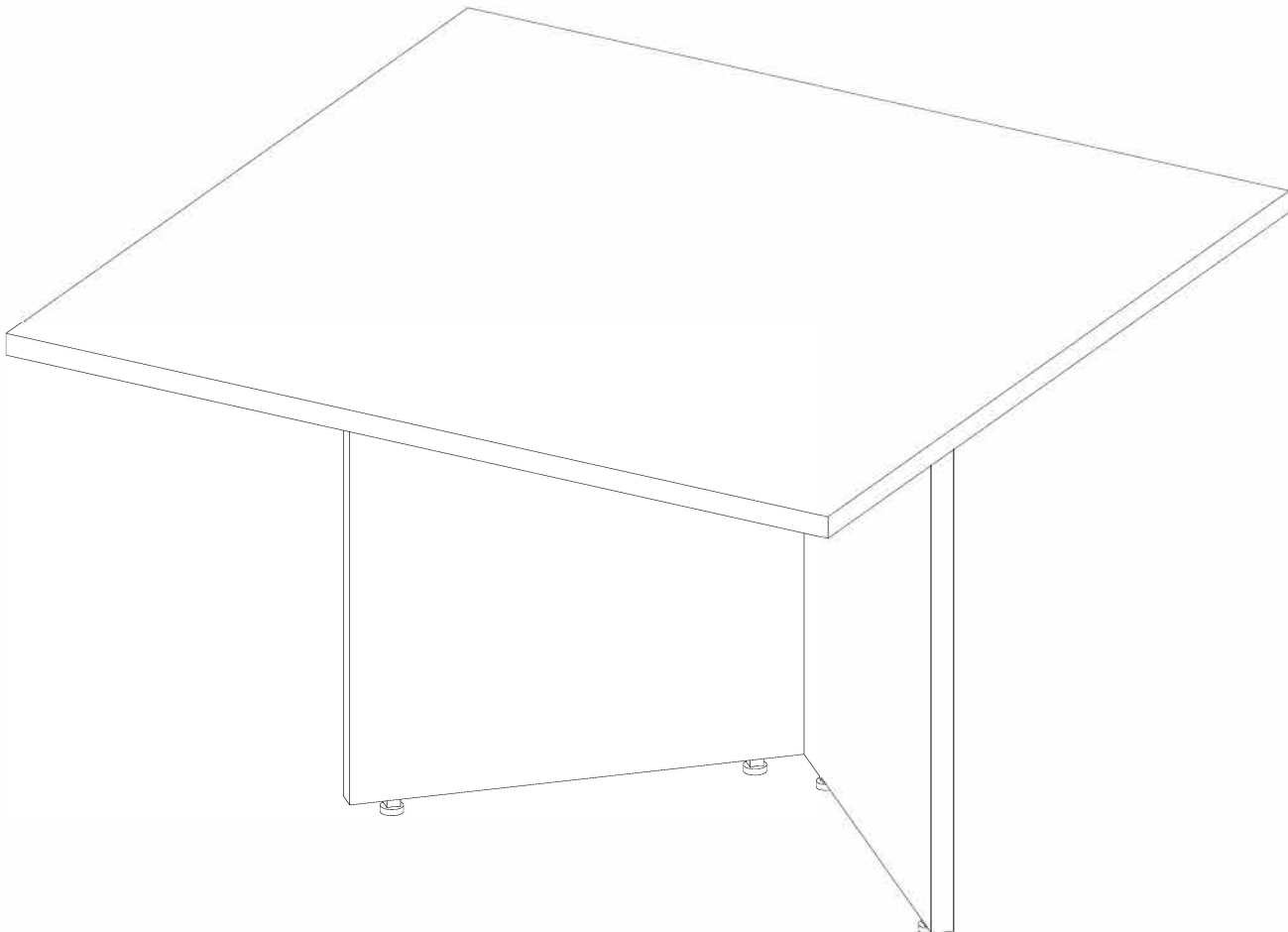
Keep fittings away from children



No power tools when inserting cam pins



No power tools when tightening cams





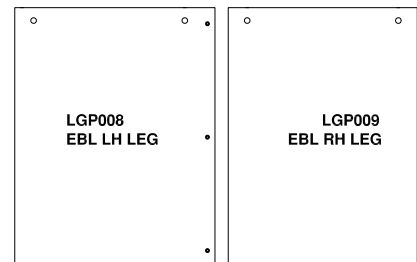
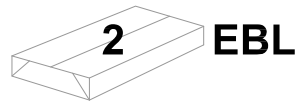
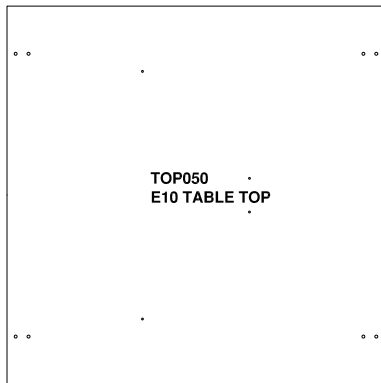
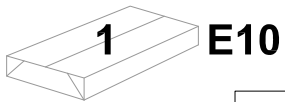
Please check that you have all the fittings



E10D							
4	PIN05 34mm WOODFIX PIN		4	FRL19 25mm ADJUSTABLE FOOT		3	CFM04 Confirmat screw 70mm (Silver)
4	CAM03 18mm MINIFIX CAM	4	NUT04 M8 GESIPA INSERT	4	SCR04 3/4 x 14 SCREW	1	BRKT25 EB BRACKET



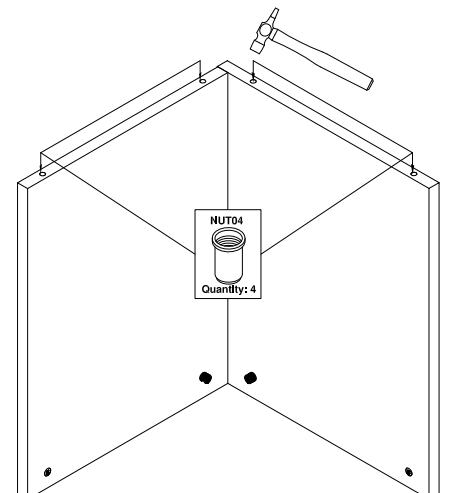
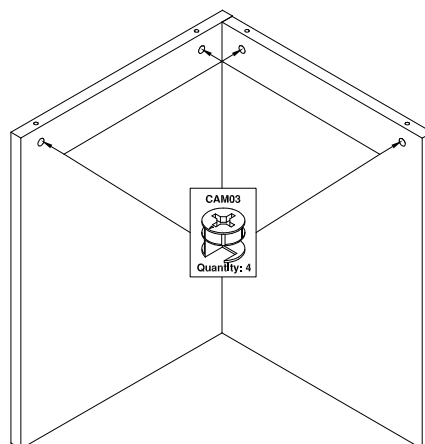
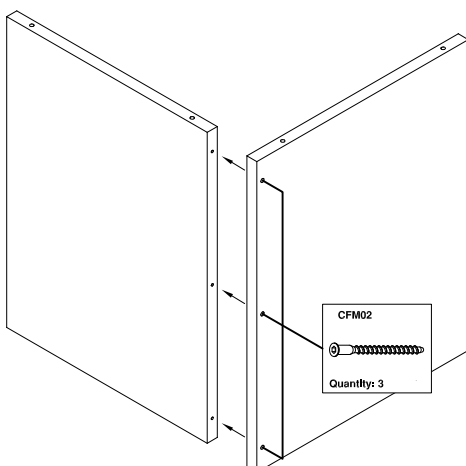
Please check that you have all the panels



1

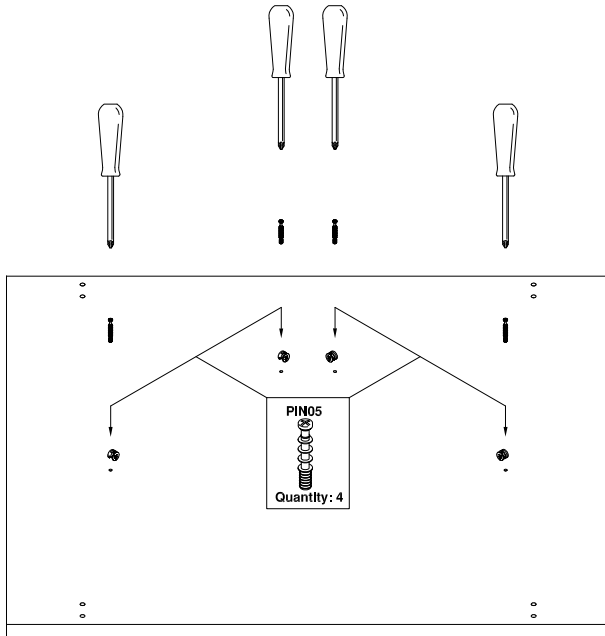
2

3



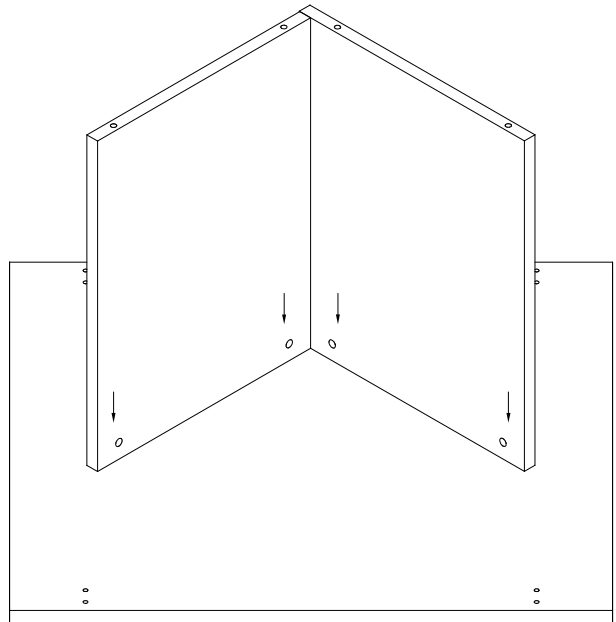
4

Screw in the woodfix pins by hand
No need to use power tools

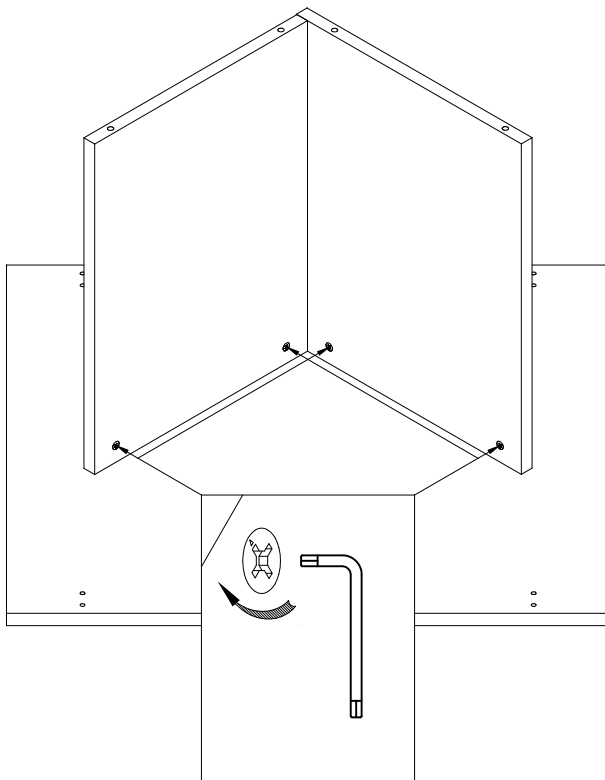


5

Position the legs over the pins
and place down gently ensuring
all pins are inserted into holes



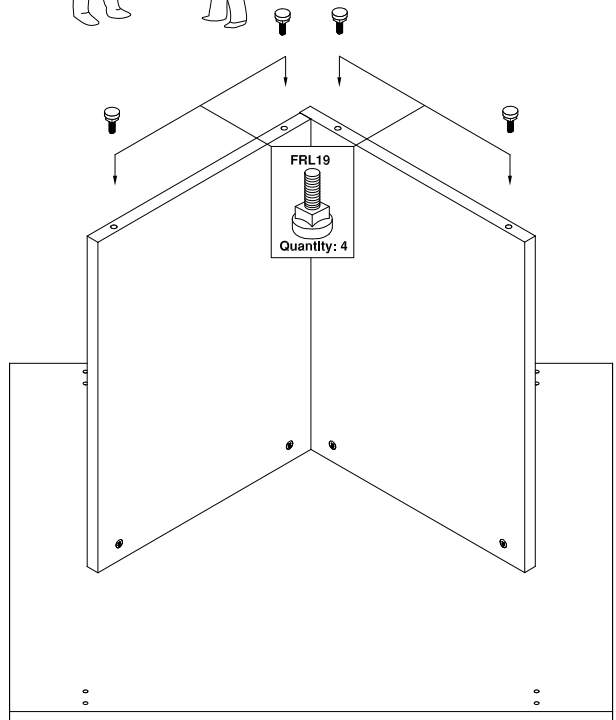
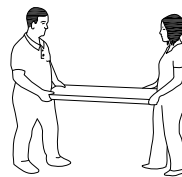
6



Tighten the cams.
Make sure you turn the cams
as far as they will easily go -
more than half a turn.

7

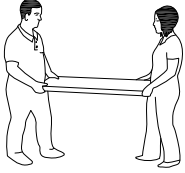
Screw in the feet and carefully turn the table over
2 people recommended



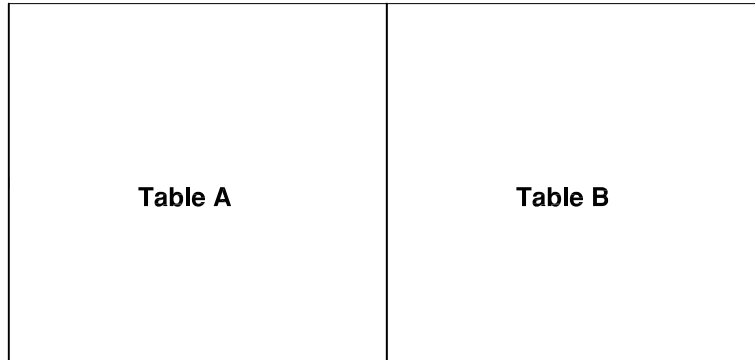


When linking more than one table it is recommended that 2 people are required to move the tables into position! Do not drag or push tables, this will result in damage to the legs, always lift tables completely off the ground!

8

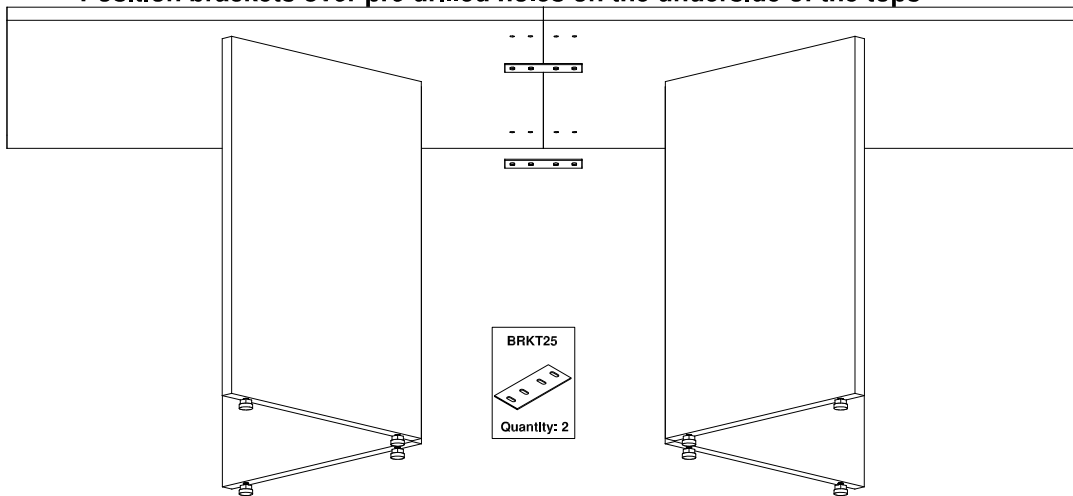


Move tables to the place in the room where they will stay.
Position tables side by side, try to eliminate any wobble or movement in the tables by adjusting the foot levellers, this will prevent any movement once the tables are linked.



9

Underside view of table
Position brackets over pre drilled holes on the underside of the tops



10

Underside view of table
Fix brackets to table using the screws provided

