







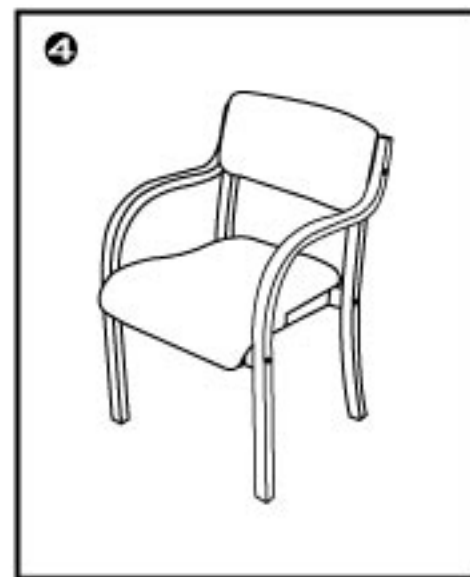
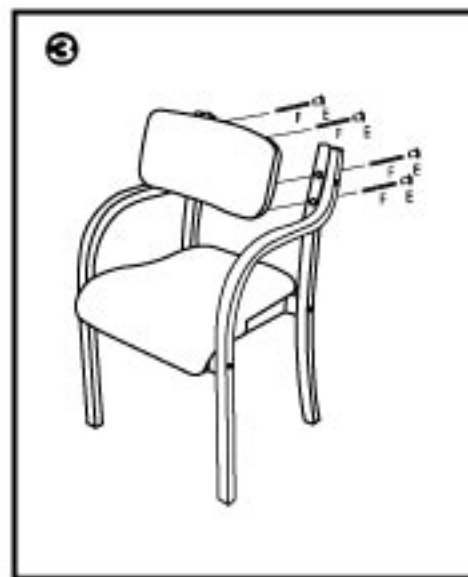
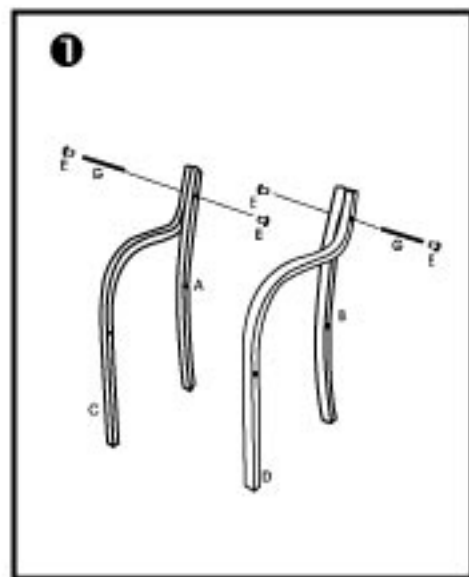




<b>A</b>  1PCS	<b>B</b>  1PCS	<b>C</b>  1PCS	<b>D</b>  1PCS
<b>E</b>  12PCS	<b>F</b>  4PCS	<b>G</b>  2PCS	<b>H</b>  4PCS











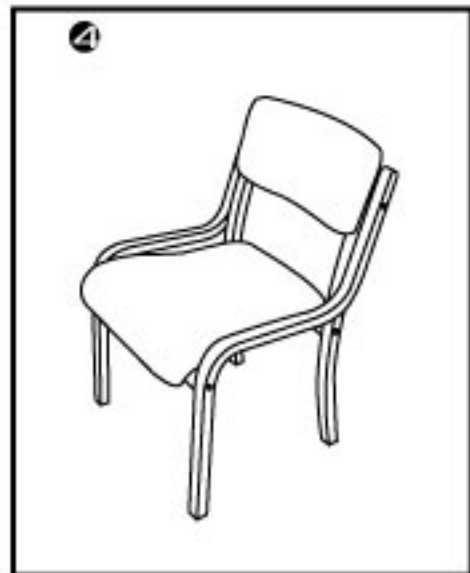
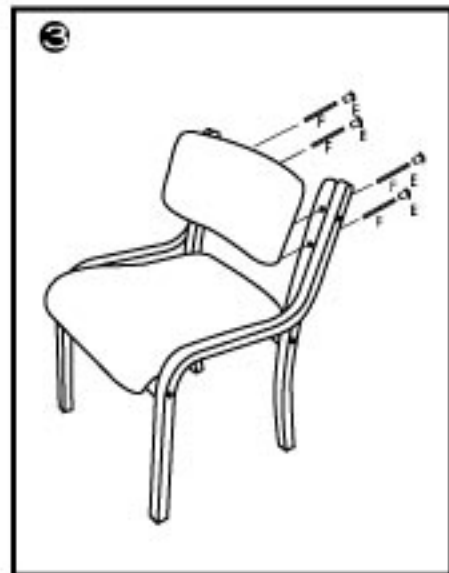
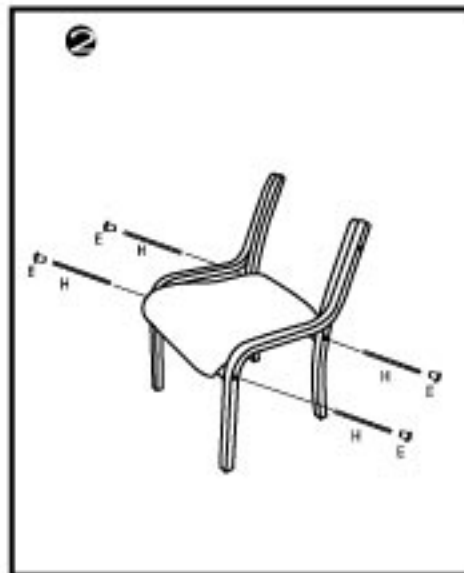
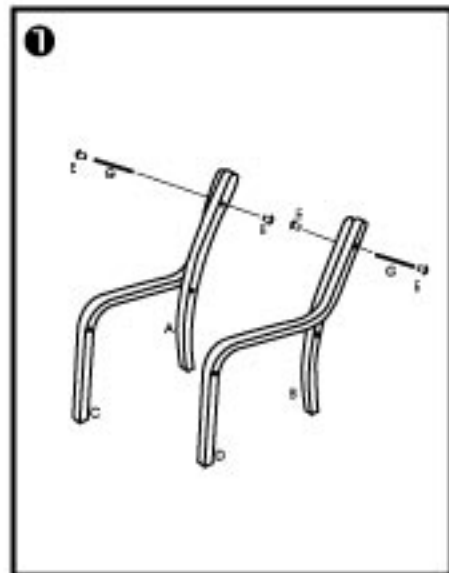
## WARNING

- DO NOT STAND ON THIS CHAIR DO NOT USE THIS CHAIR AS STEP LADDER
- USE THIS PRODUCT ONLY FOR SEATING ONE PERSON AT A TIME
- DO NOT USE THIS CHAIR UNLESS ALL BOLTS SCREWS AND KNOBS ARE FIRMLY SECURED
- AT LEAST EVERY 4 MONTHS ,CHECK ALL BOLTS, SCREWS AND KNOBS TO BE SURE THEY ARE TIGHT
- IF PARTS ARE MISSING, BROKEN, DAMAGED OR WORN, STOP USE OF THIS PRODUCT UNTIL REPAIRS ARE MADE USING FACTORY AUTHORIZED PARTS
- FAILURE TO FOLLOW THESE WARNINGS COULD RESULT IN SERIOUS INJURY

PRA50001



<b>A</b>  1PCS	<b>B</b>  1PCS	<b>C</b>  1PCS	<b>D</b>  1PCS
<b>E</b>  12PCS	<b>F</b>  4PCS	<b>G</b>  2PCS	<b>H</b>  4PCS



## WARNING

- DO NOT STAND ON THIS CHAIR DO NOT USE THIS CHAIR AS STEP LADDER
- USE THIS PRODUCT ONLY FOR SEATING ONE PERSON AT A TIME
- DO NOT USE THIS CHAIR UNLESS ALL BOLTS SCREWS AND KNOBS ARE FIRMLY SECURED
- AT LEAST EVERY 4 MONTHS ,CHECK ALL BOLTS, SCREWS AND KNOBS TO BE SURE THEY ARE TIGHT
- IF PARTS ARE MISSING, BROKEN, DAMAGED OR WORN, STOP USE OF THIS PRODUCT UNTIL REPAIRS ARE MADE USING FACTORY AUTHORIZED PARTS
- FAILURE TO FOLLOW THESE WARNINGS COULD RESULT IN SERIOUS INJURY

PRA50002