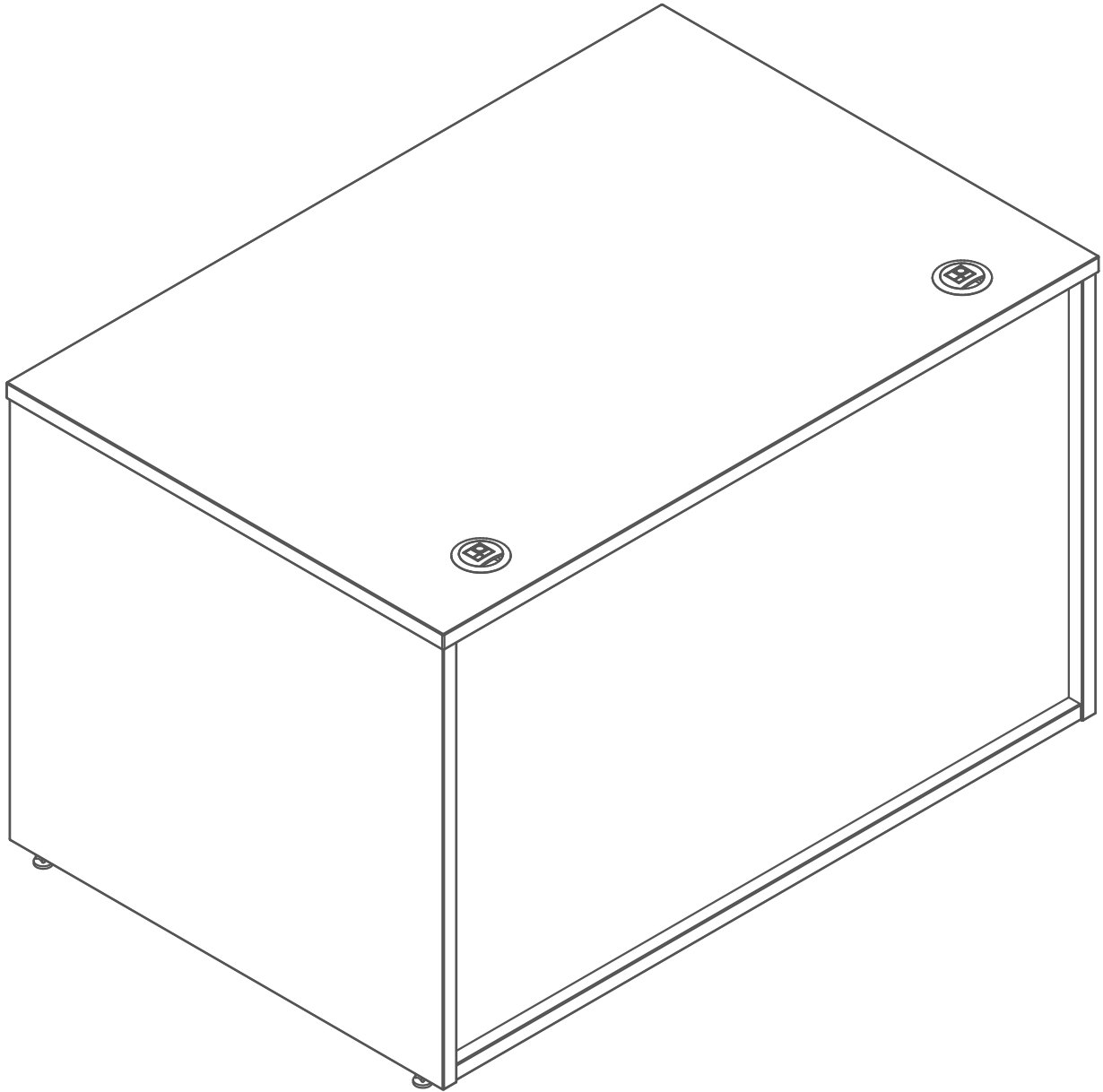
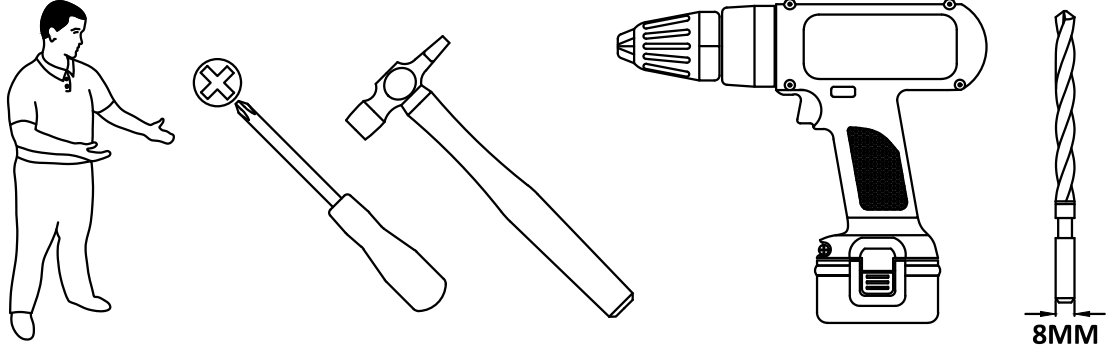


# RU12DT

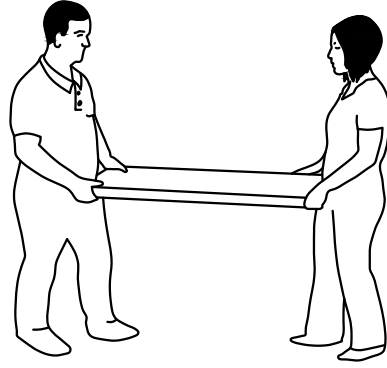
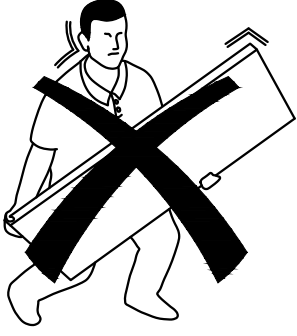
1200mm Straight Reception Desk



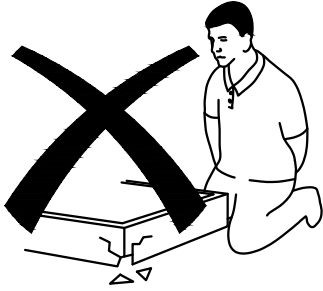
**TOOLS REQUIRED  
FOR ASSEMBLY**



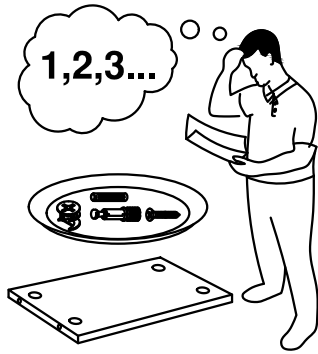
**DONT STRUGGLE  
2 MAN LIFT**



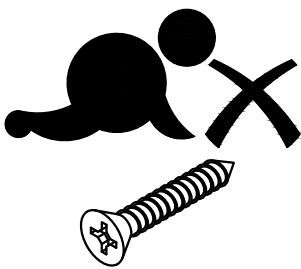
**ALWAYS HANDLE  
ITEMS WITH CARE**



**IF UNSURE CALL  
FOR ASSISTANCE**

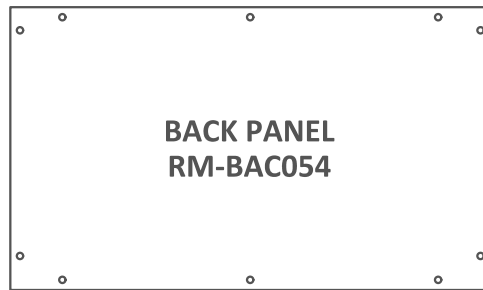
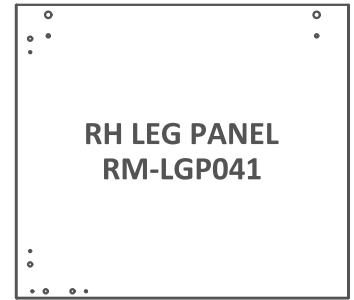
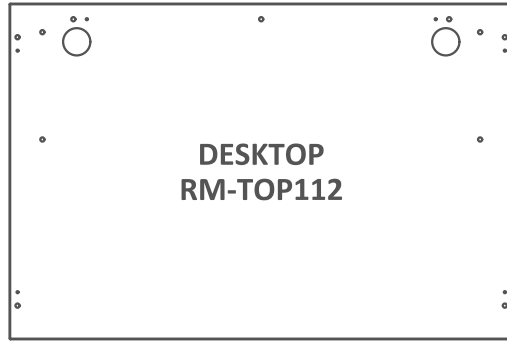


**KEEP FITTINGS AWAY  
FROM CHILDREN**

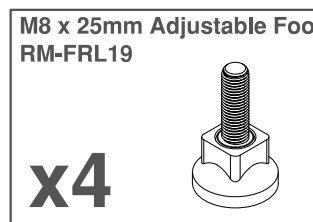
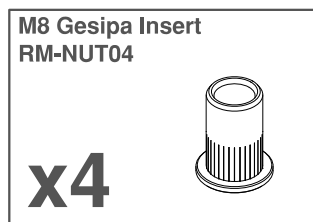
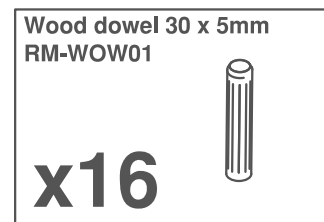
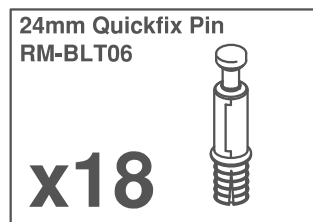
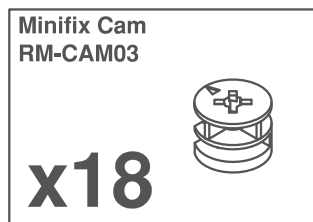




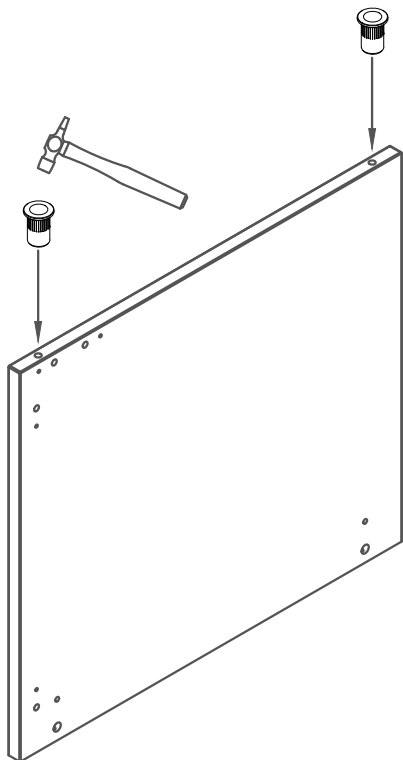
Please check that you have all the panels!



Please check that you have all the fittings!

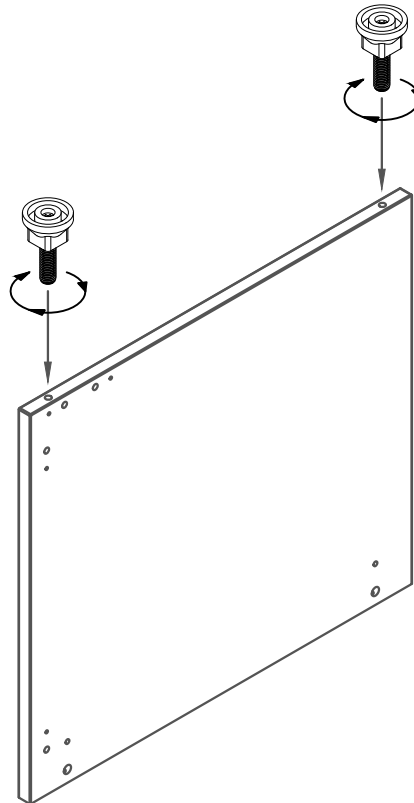


1



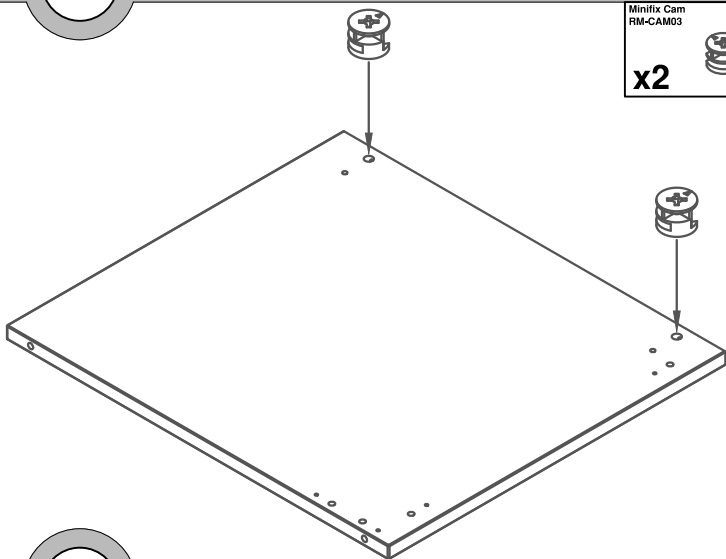
M8 Gesipa Insert  
RM-NUT04  
**x4**

2



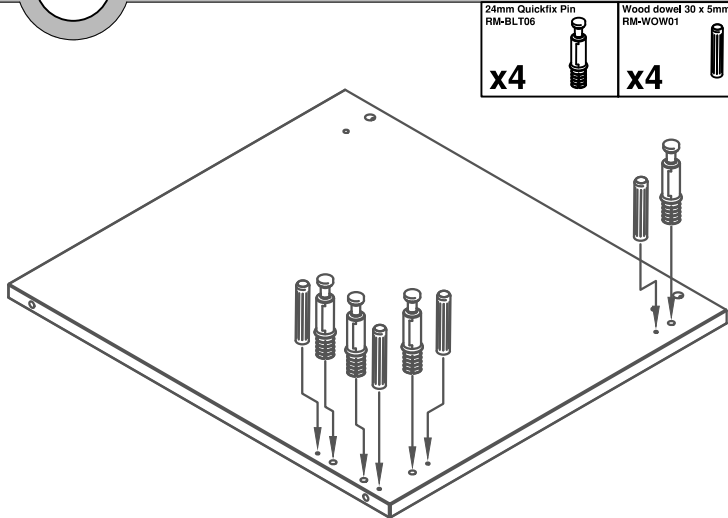
M8 x 25mm Adj Foot  
RM-FRL19  
**x4**

3



Minifix Cam  
RM-CAM03  
**x2**

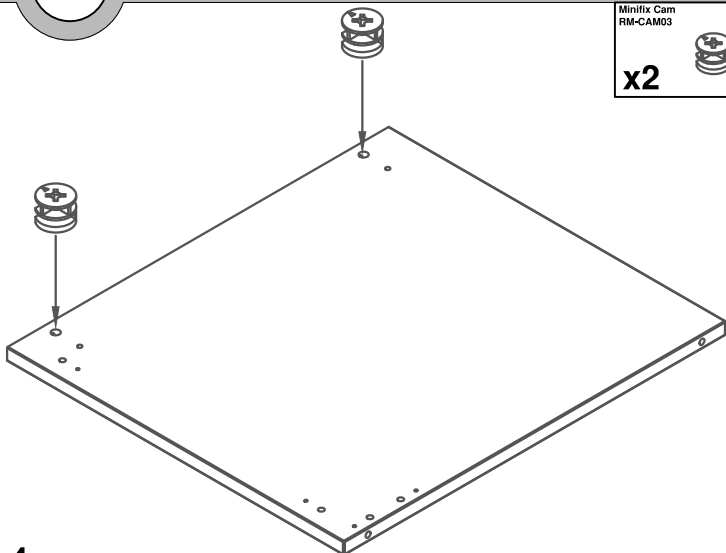
4



24mm Quickfix Pin  
RM-BLT06  
**x4**

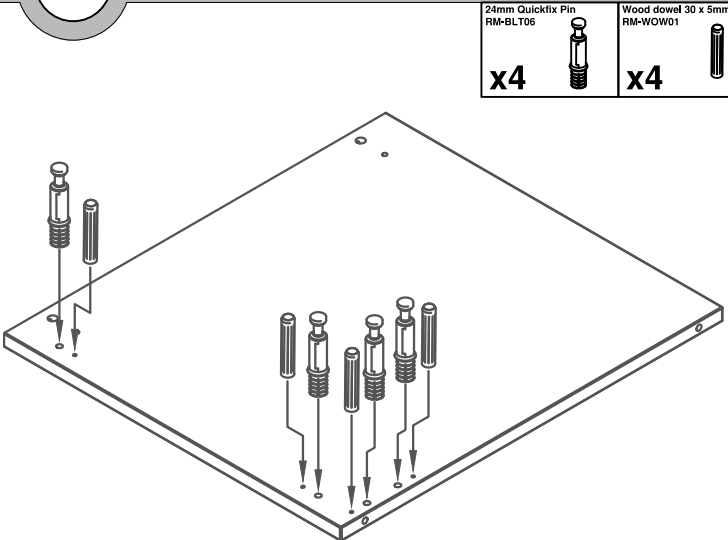
Wood dowel 30 x 5mm  
RM-WOW01  
**x4**

5



Minifix Cam  
RM-CAM03  
**x2**



6

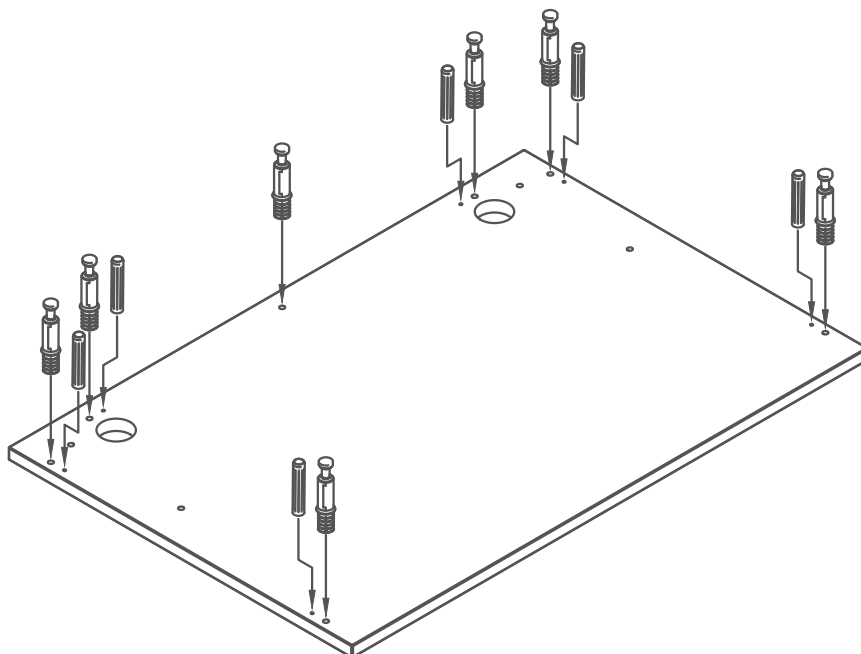


24mm Quickfix Pin  
RM-BLT06  
**x4**


Wood dowel 30 x 5mm  
RM-WOW01  
**x4**

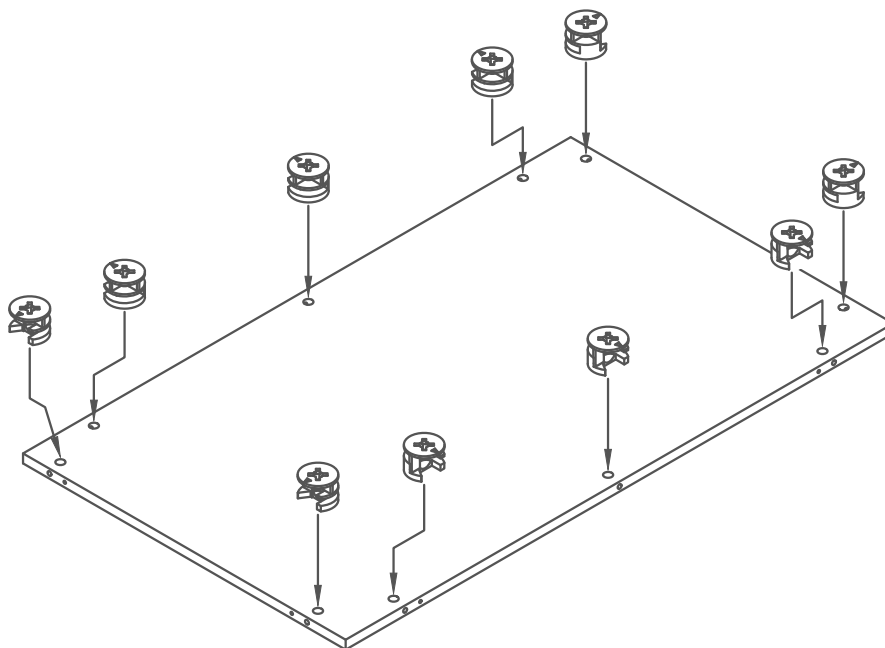
7

24mm Quickfix Pin RM-BLT06		Wood dowel 30 x 5mm RM-WOW01	
<b>x7</b>		<b>x6</b>	



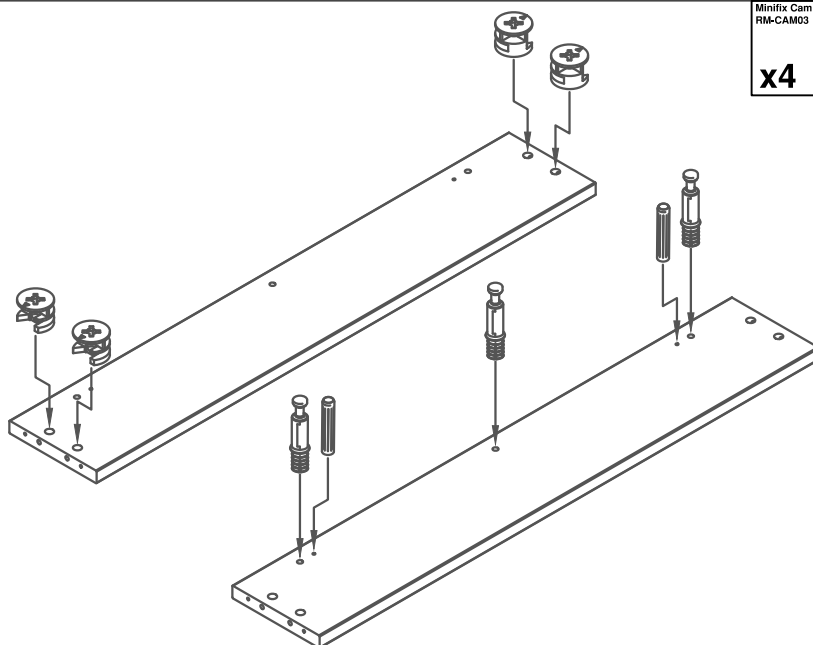
8

Minifix Cam RM-CAM03	
<b>x10</b>	

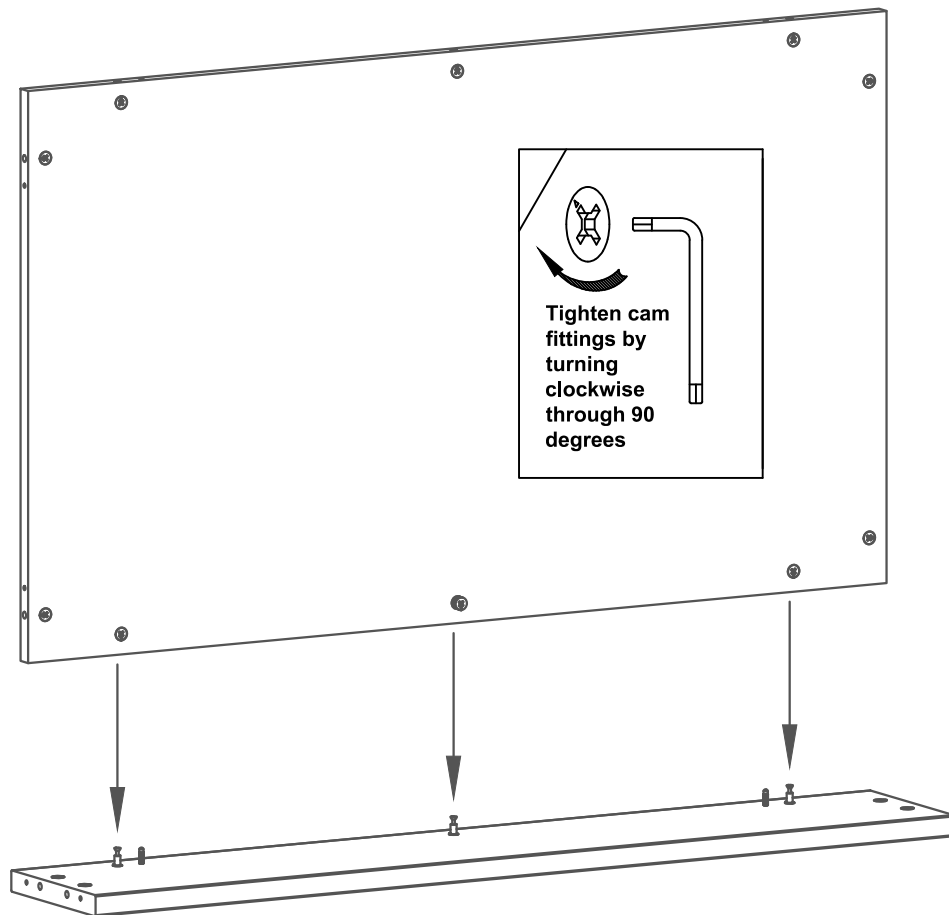


9

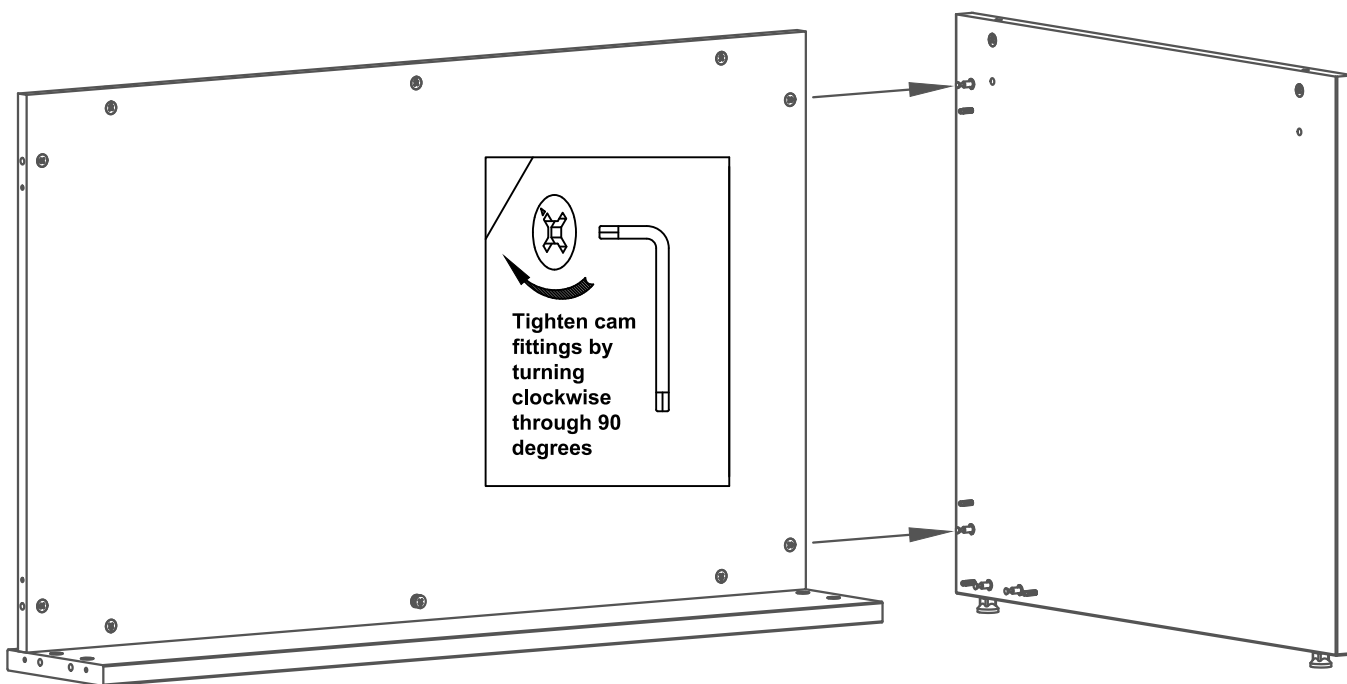
Minifix Cam RM-CAM03		24mm Quickfix Pin RM-BLT06		Wood dowel 30 x 5mm RM-WOW01	
<b>x4</b>		<b>x3</b>		<b>x2</b>	



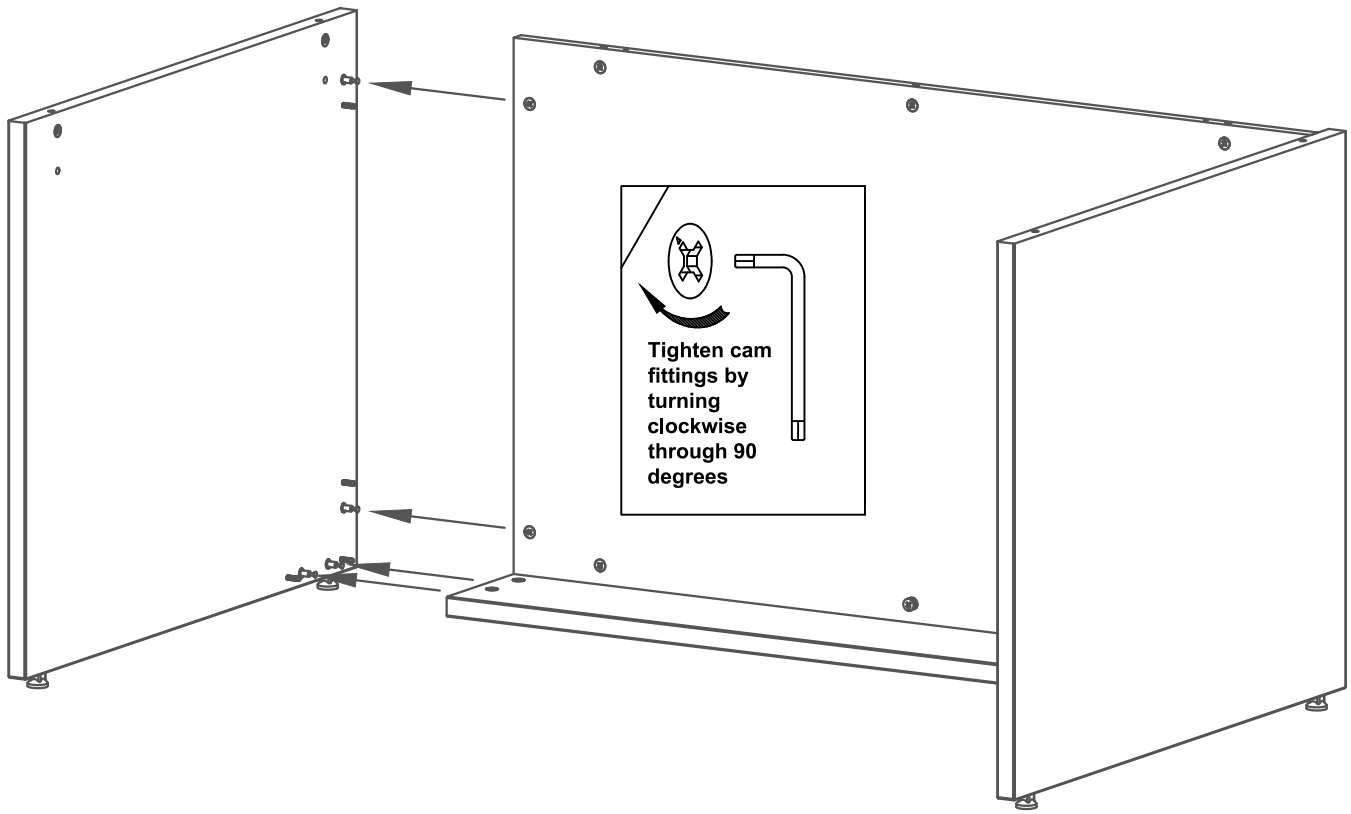
10



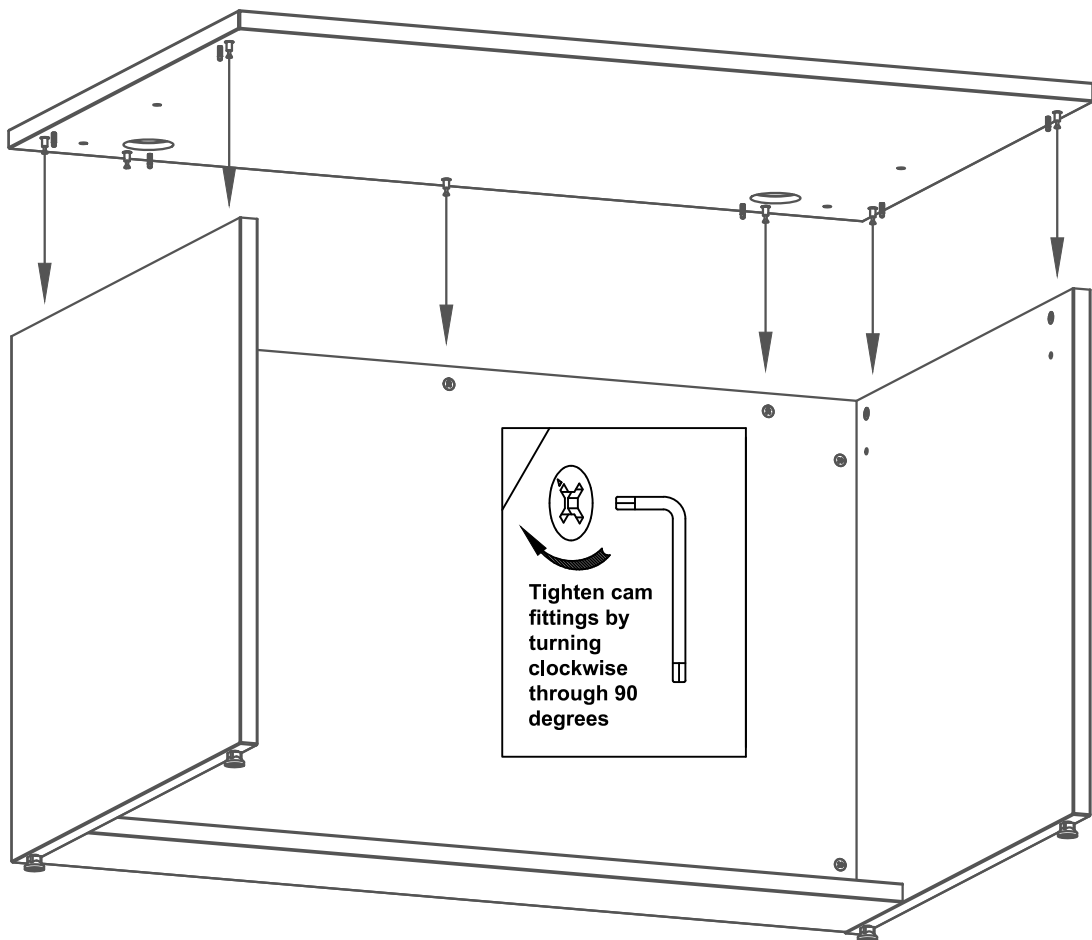
11



12

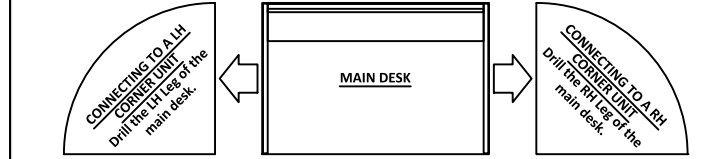
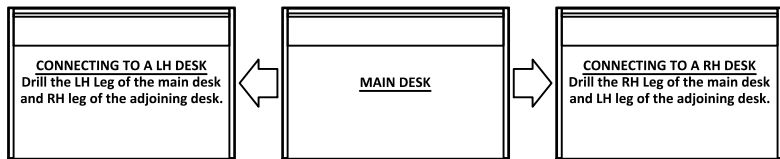
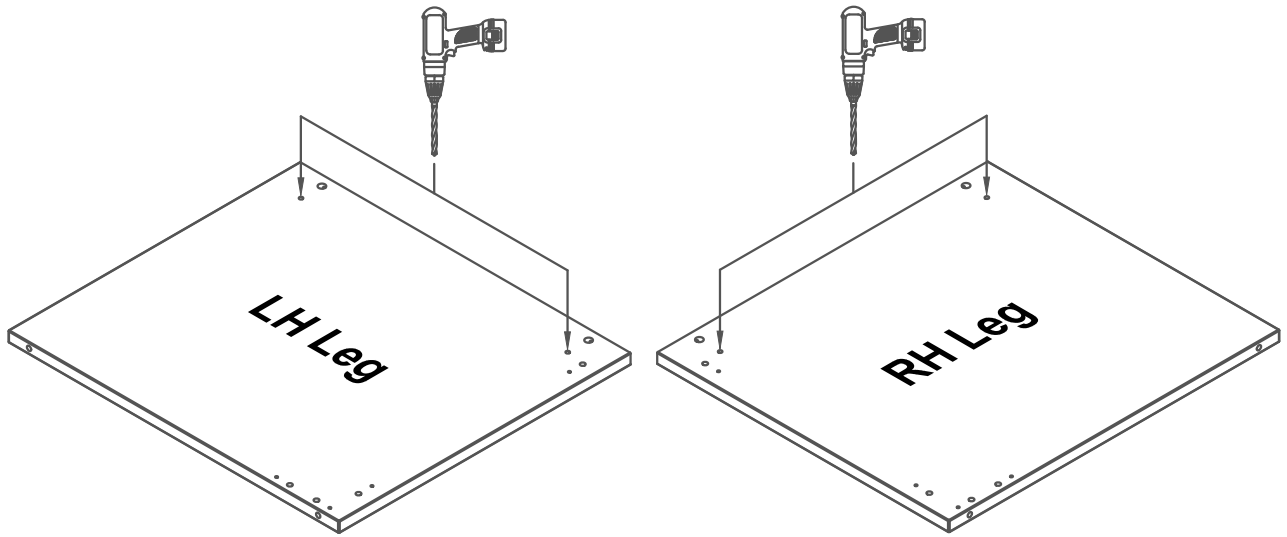


13

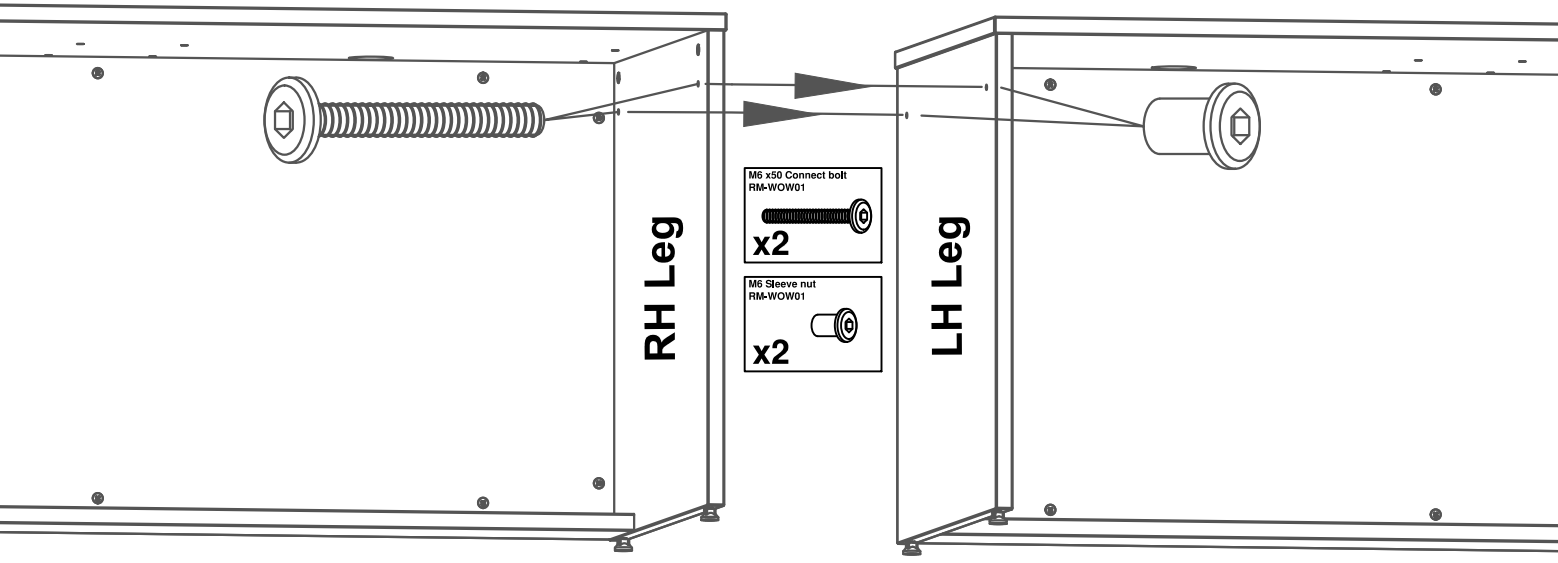




# Linking units together



## Linking desk to desk



## Linking desk to corner base unit

