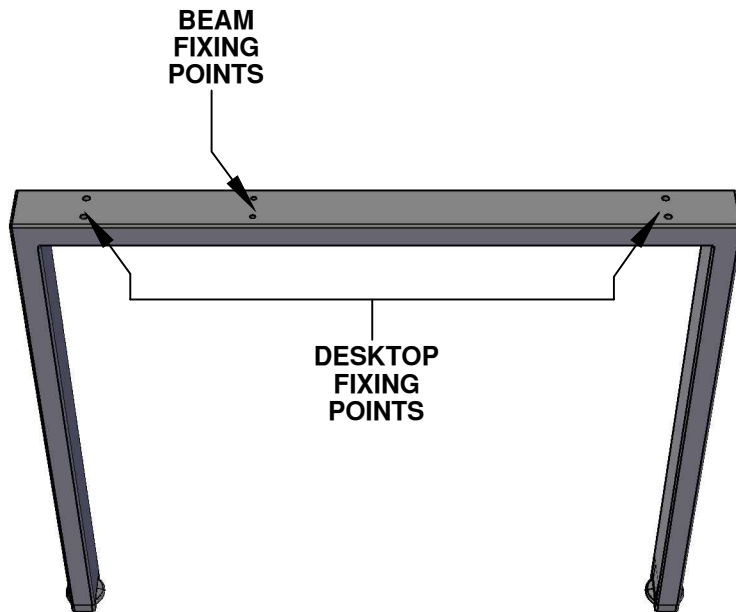
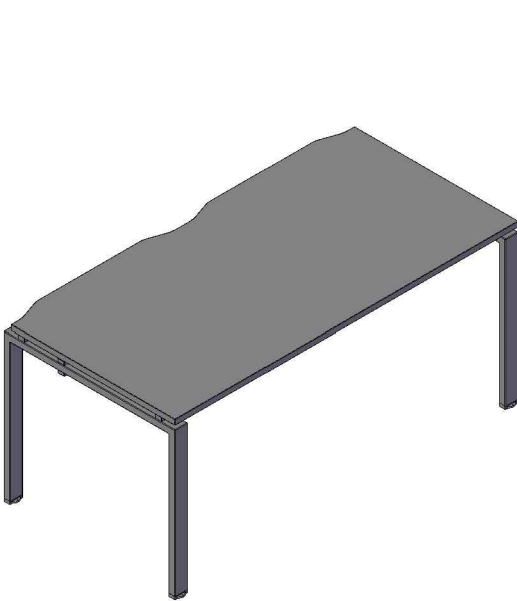


# ED800L / ED600L Adapt II Single Leg

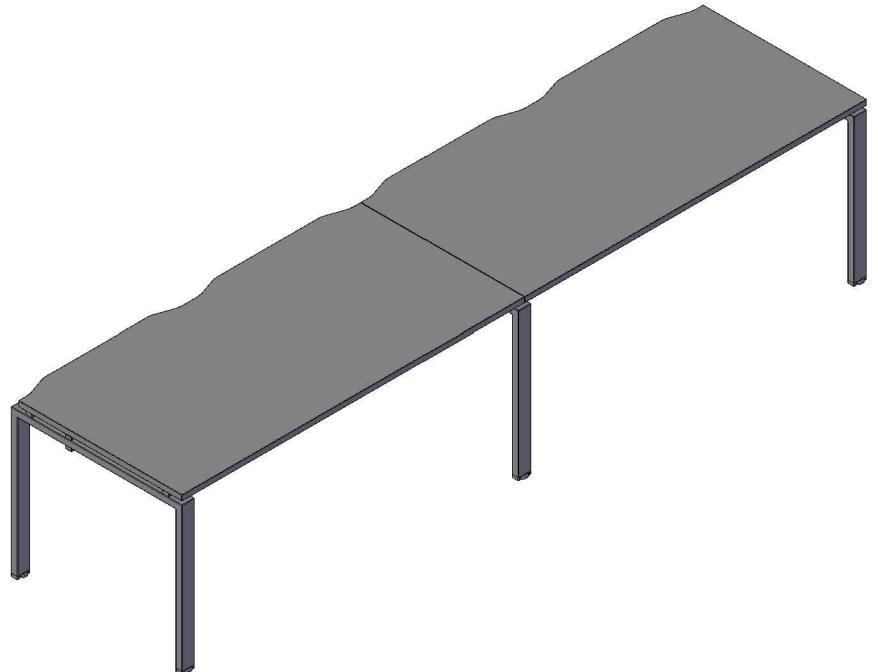


ED800L - 800mm Leg Shown

Used to build

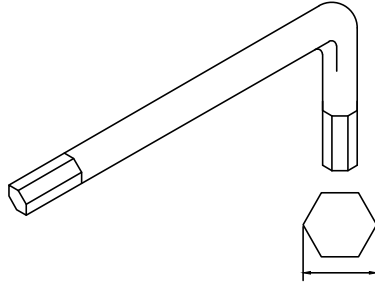
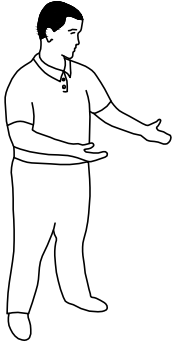


Adapt II Single Desk



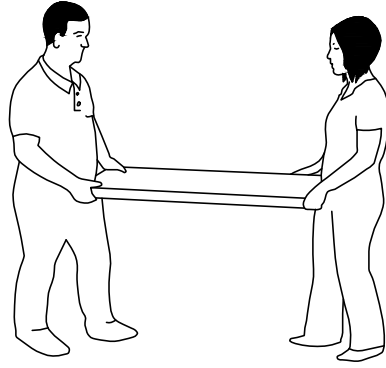
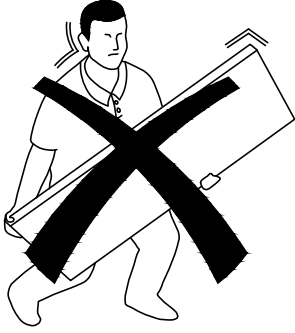
Adapt II Side by Side Desk

**TOOLS REQUIRED  
FOR ASSEMBLY**

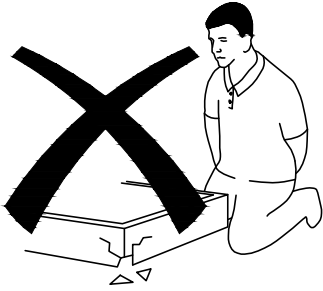


4mm

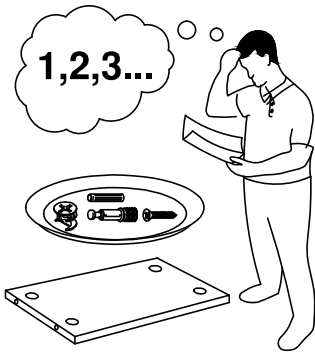
**DONT STRUGGLE  
2 MAN LIFT**



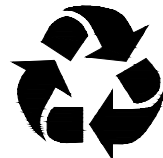
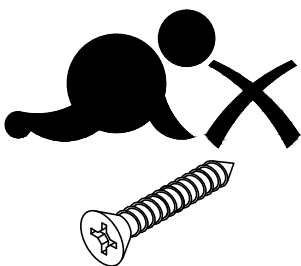
**ALWAYS HANDLE  
ITEMS WITH CARE**



**IF UNSURE CALL  
FOR ASSISTANCE**

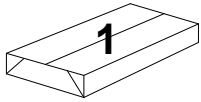


**KEEP FITTINGS AWAY  
FROM CHILDREN**





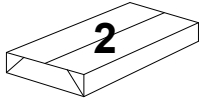
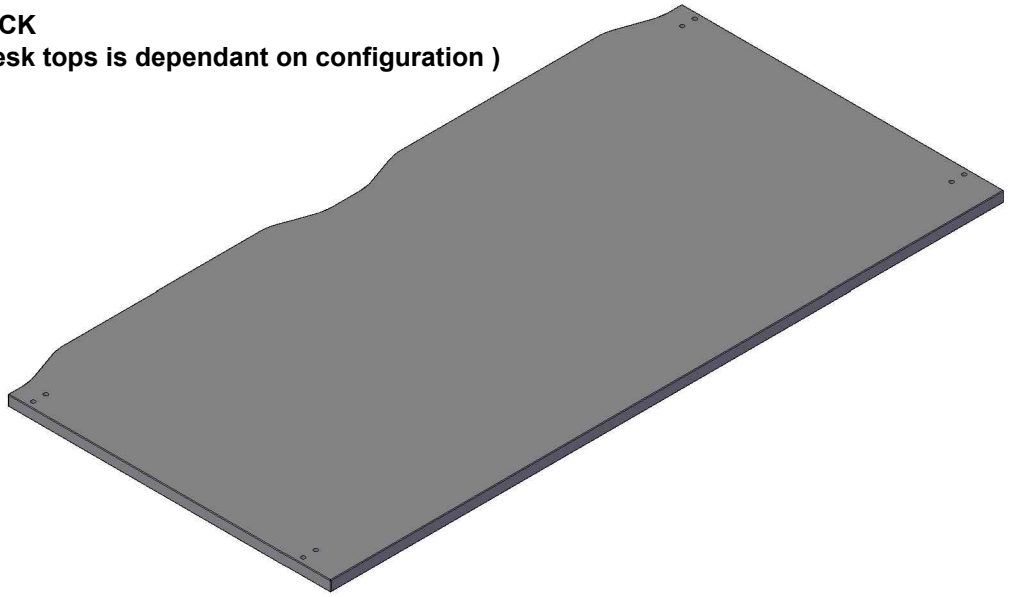
# Please check that you have all the components



**DESK TOP PACK**  
( Number of desk tops is dependant on configuration )

**800mm Deep Tops**  
1200mm = ED128T  
1400mm = ED148T  
1600mm = ED168T

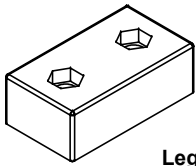
**600mm Deep Tops**  
1200mm = ED126T  
1400mm = ED146T  
1600mm = ED166T



**LEG PACK ( ED800L / ED600L )**  
( Number of legs is dependant on configuration )

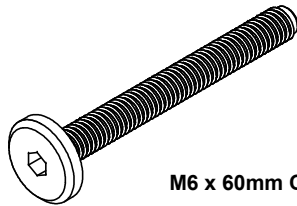
### FITTINGS SUPPLIED WITH LEG

**2x**



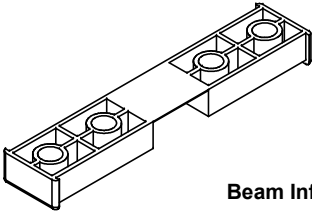
Leg Spacer Block

**4x**



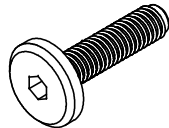
M6 x 60mm Connect Bolt

**2x**

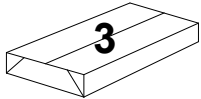
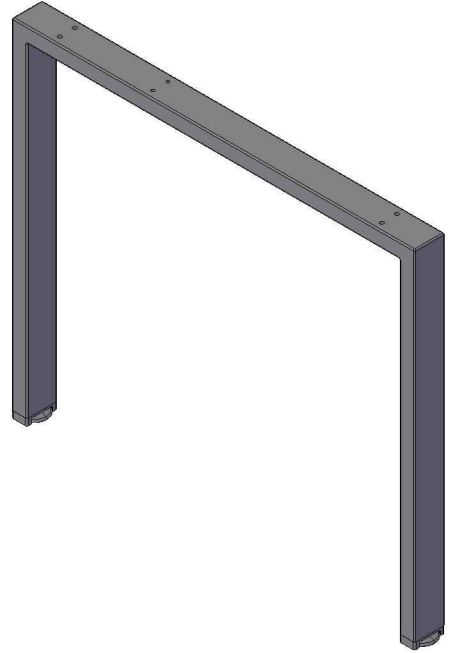


Beam Infill Block

**4x**

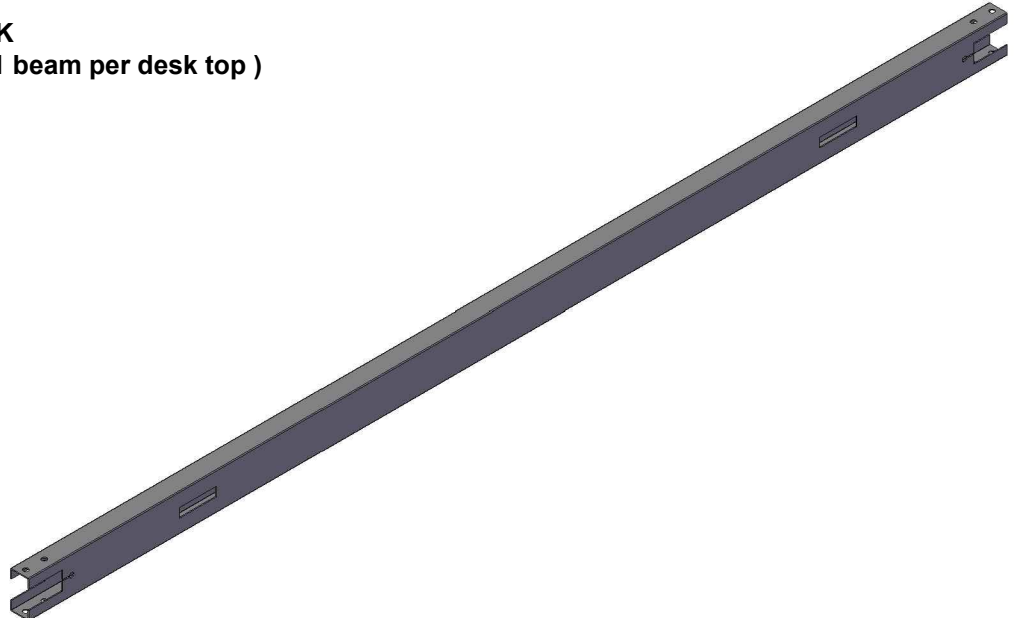


M6 x 25mm Connect Bolt



**BEAM PACK**  
( Requires 1 beam per desk top )

1200mm = ED12BM  
1400mm = ED14BM  
1600mm = ED16BM

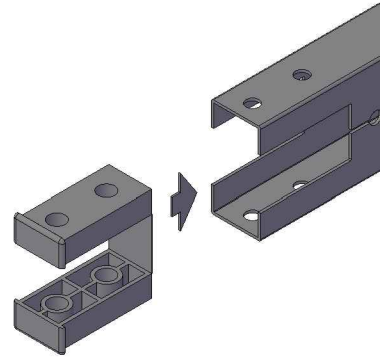
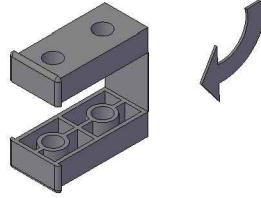
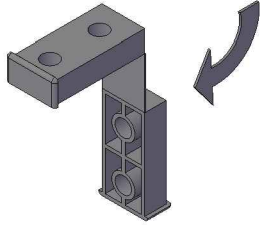
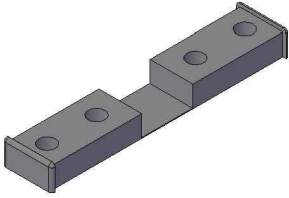


# Single Desk Assembly

1

## Step 1

Insert the beam infill blocks into both ends of the beam.

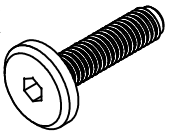


2

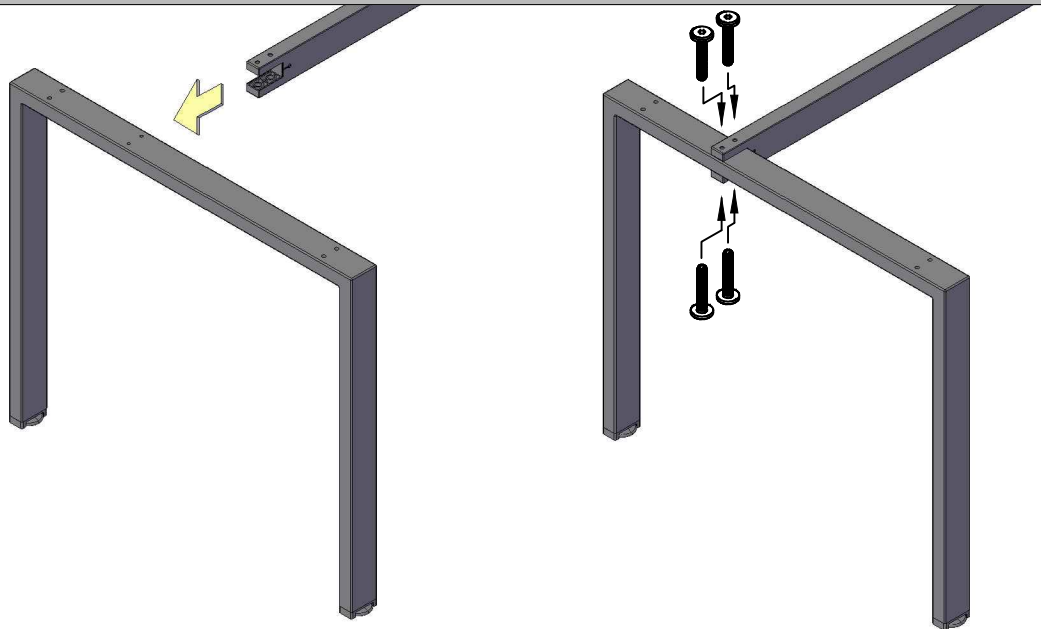
## Step 2

Push the beam onto the 1st leg frame lining up the beam holes with the M6 threaded holes on the leg. Once it is aligned attach using the M6 x 25mm Connect Bolts.

4x



M6 x 25mm Connect Bolt

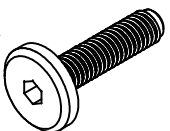


3

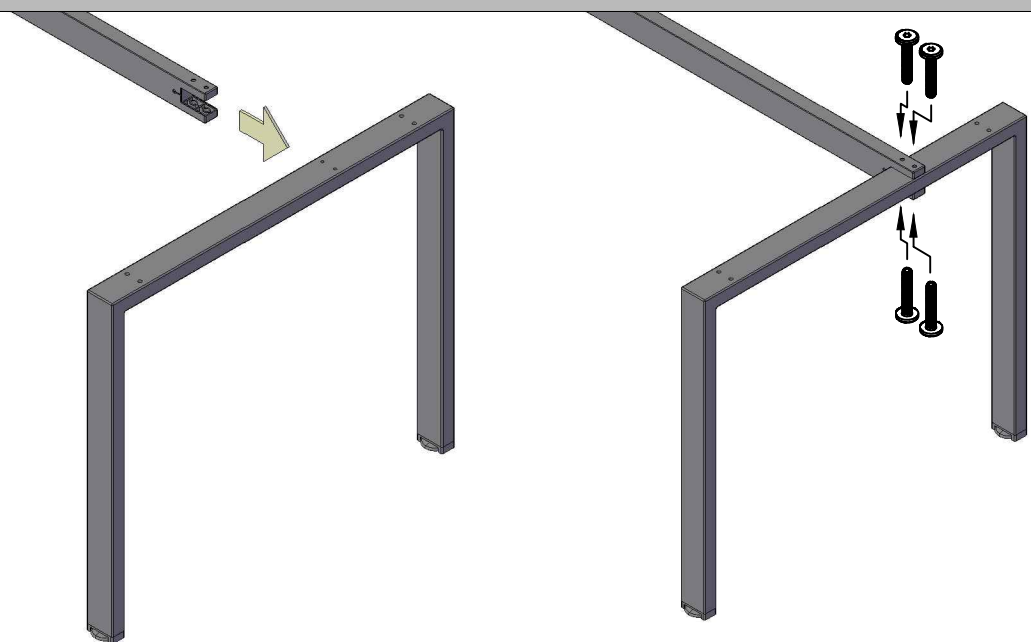
## Step 3

Push the beam onto the remaining leg frame lining up the beam holes with the M6 threaded holes on the leg. Once it is aligned attach using the M6 x 25mm Connect Bolts.

4x



M6 x 25mm Connect Bolt

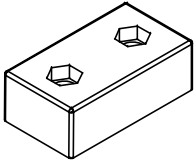


4

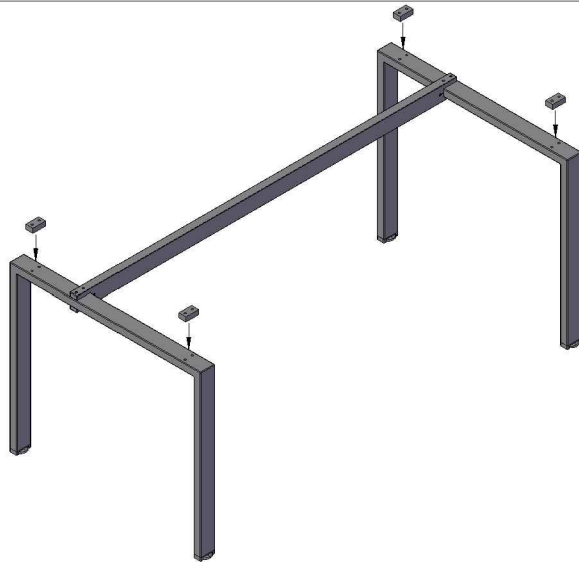
**Step 4**

Position the Spacer Blocks over the holes in the leg frames.

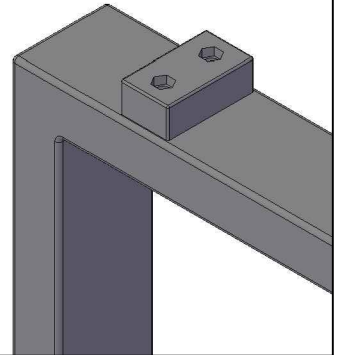
4x



Leg Spacer Block



Ensure that the spacer blocks are placed onto the frame with the recessed nut holes facing upwards.

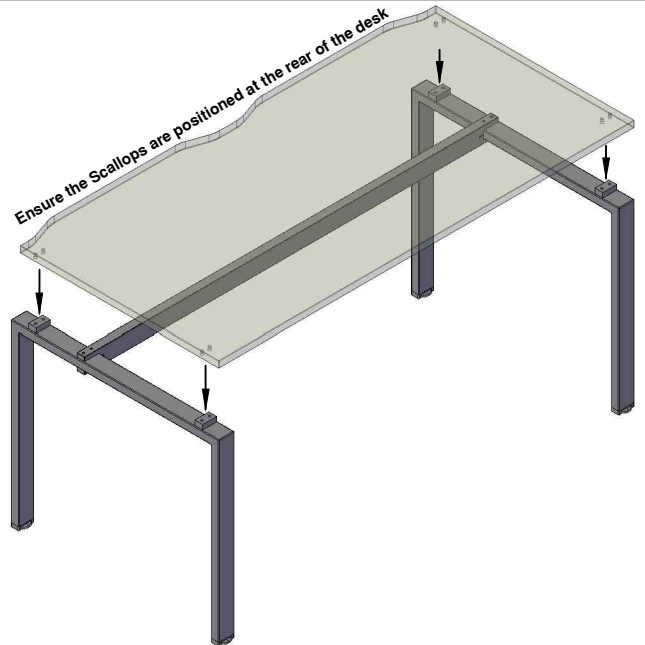


5

**Step 5**

Place the desktop onto the assembled framework ensuring that the edges of the desktop finish parallel with the end of the leg frames.

The framework may be slightly out of square, if this happens loosen the fixing bolts in the beams and align correctly before re tightening the bolts.



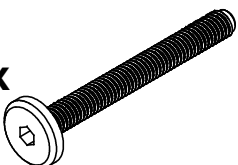
6

**Step 6**

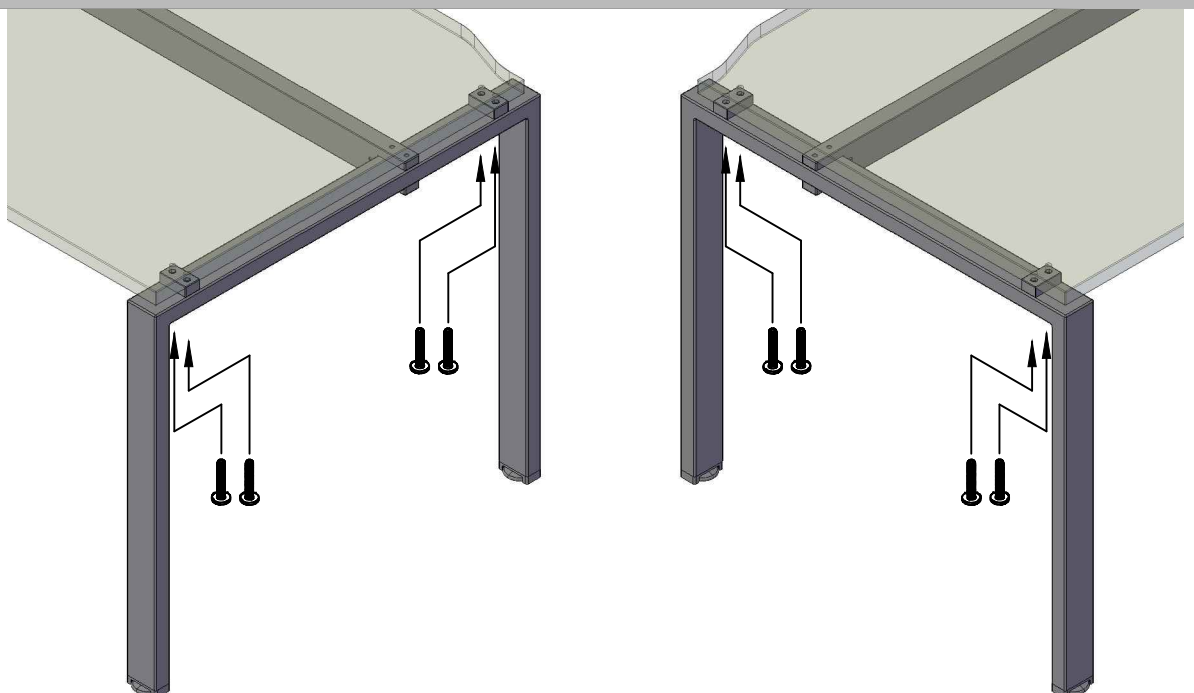
Attach the desktop to the frame using the M6 x 60mm Connect Bolts.

Ensure that the bolt passes through both the leg frame and Spacer Block.

8x



M6 x 60mm Connect Bolt

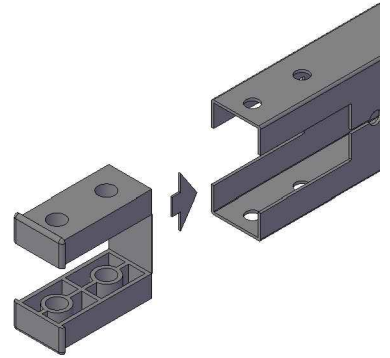
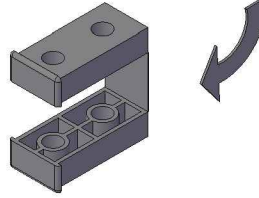
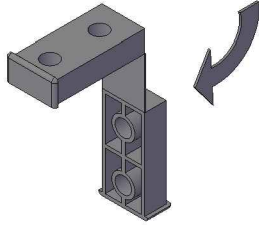
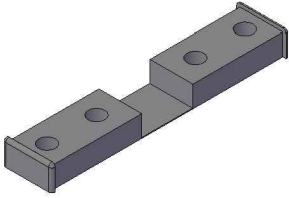


# Multiple Desk Assembly

1

## Step 1

Insert the beam infill blocks into both ends of the beam.

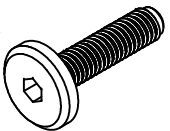


2

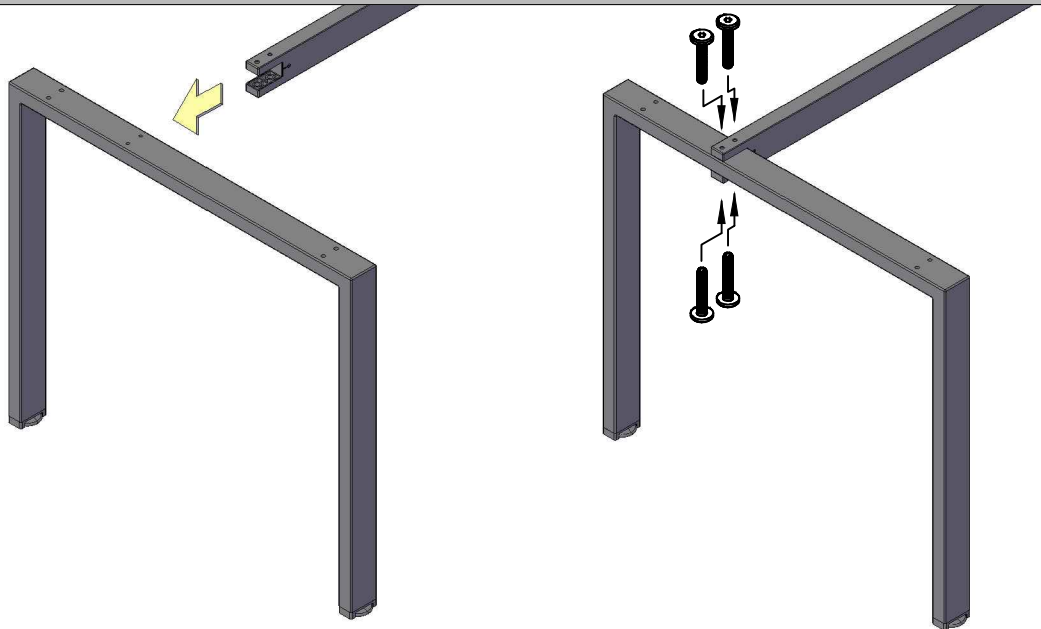
## Step 2

Push the beam onto the 1st leg frame lining up the beam holes with the M6 threaded holes on the leg. Once it is aligned attach using the M6 x 25mm Connect Bolts.

4x



M6 x 25mm Connect Bolt

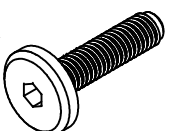


3

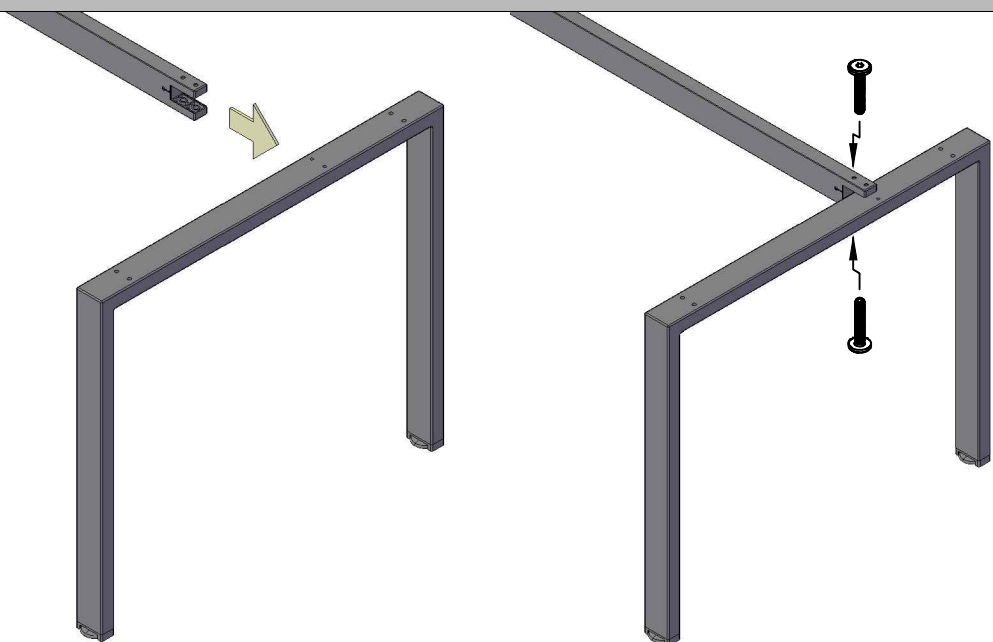
## Step 3

Push the beam onto the next leg frame lining up only the outer beam hole with the M6 threaded hole nearest the edge on the leg. Once it is aligned attach using the M6 x 25mm Connect Bolts.

2x



M6 x 25mm Connect Bolt

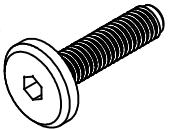


4

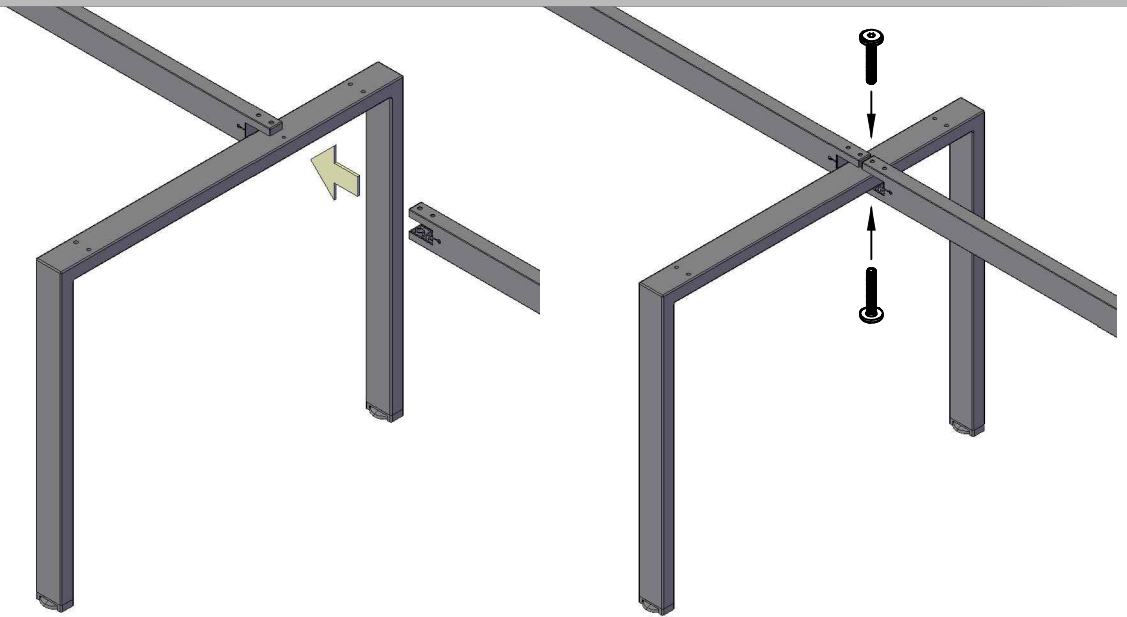
**Step 4**

Push the beam onto the next leg frame lining up only the outer beam hole with the M6 threaded hole nearest the edge on the leg. Once it is aligned attach using the M6 x 25mm Connect Bolts.

2x



M6 x 25mm Connect Bolt

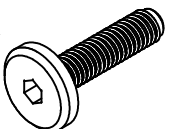


5

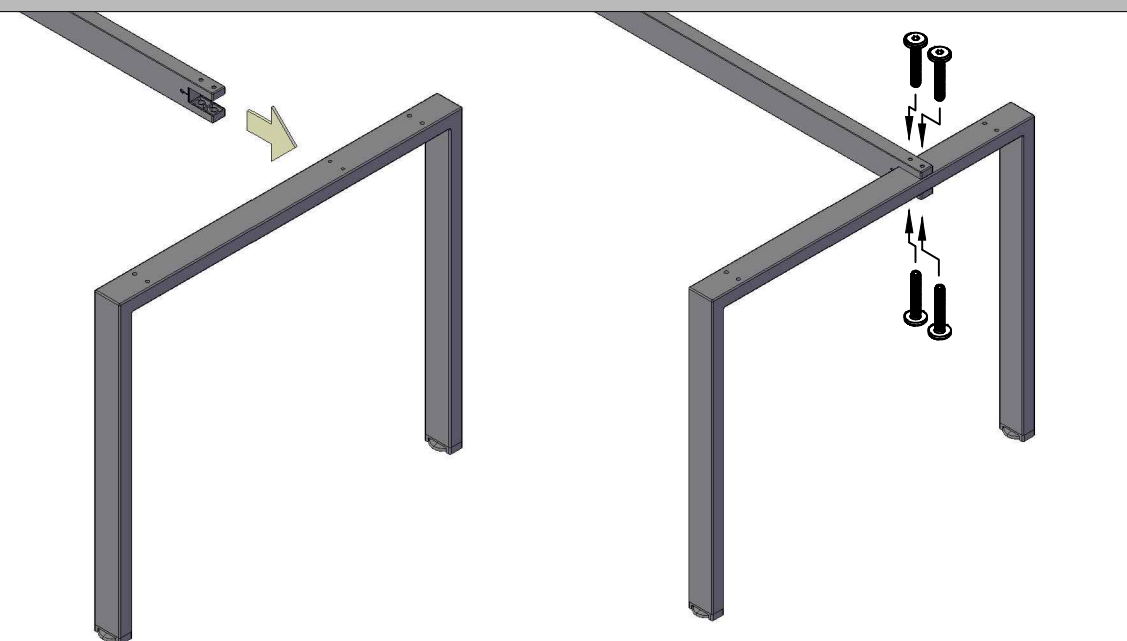
**Step 5**

Push the beam onto the remaining leg frame lining up the beam holes with the M6 threaded holes on the leg. Once it is aligned attach using the M6 x 25mm Connect Bolts.

4x



M6 x 25mm Connect Bolt

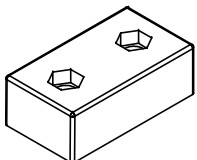


6

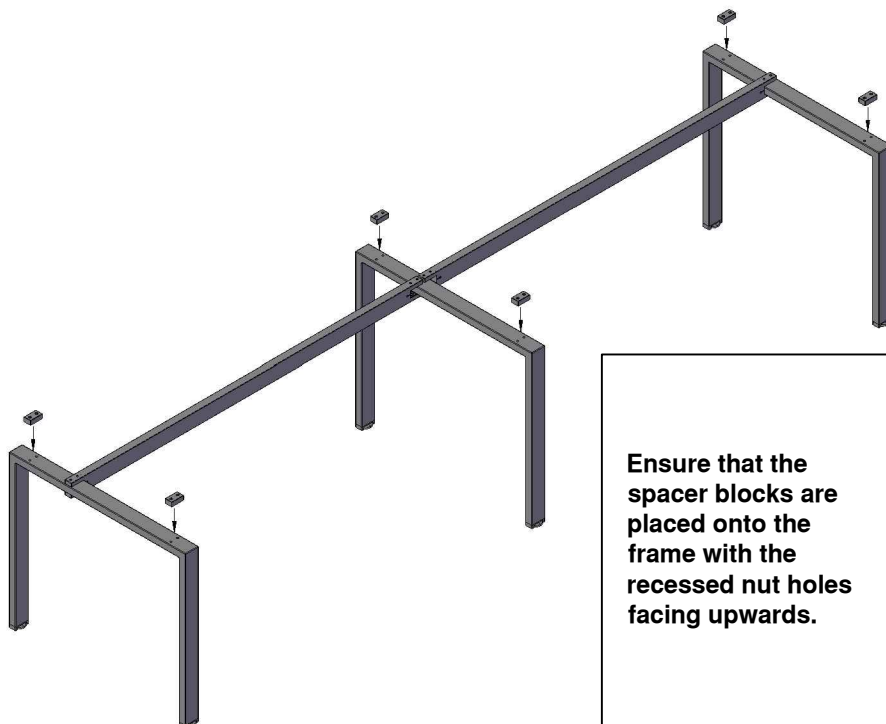
**Step 6**

Position the Spacer Blocks over the holes in the leg frames.

6x



Leg Spacer Block



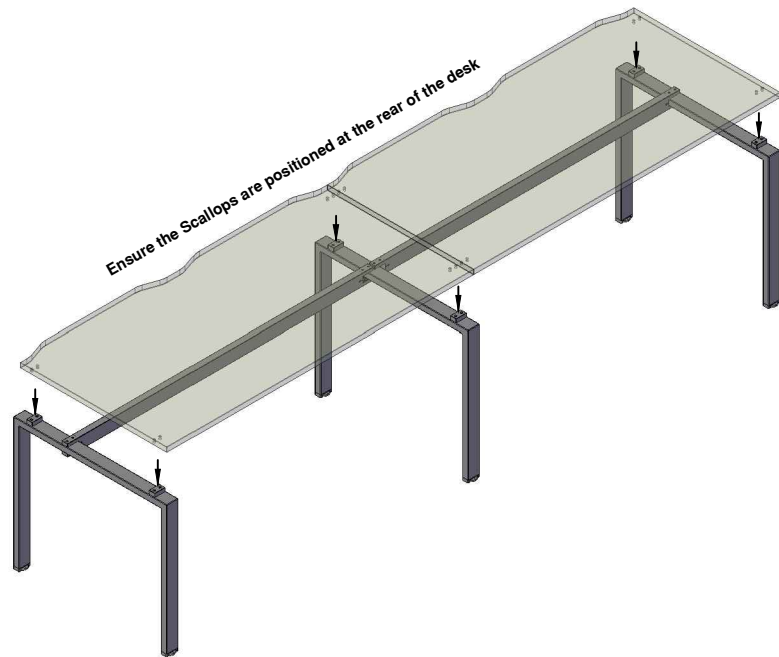
Ensure that the spacer blocks are placed onto the frame with the recessed nut holes facing upwards.



**Step 7**

Place the desktops onto the assembled framework ensuring that the edges of the desktops finish parallel with the end of the leg frames.

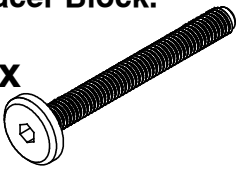
The framework may be slightly out of square, if this happens loosen the fixing bolts in the beams and align correctly before re tightening the bolts.

**Step 8**

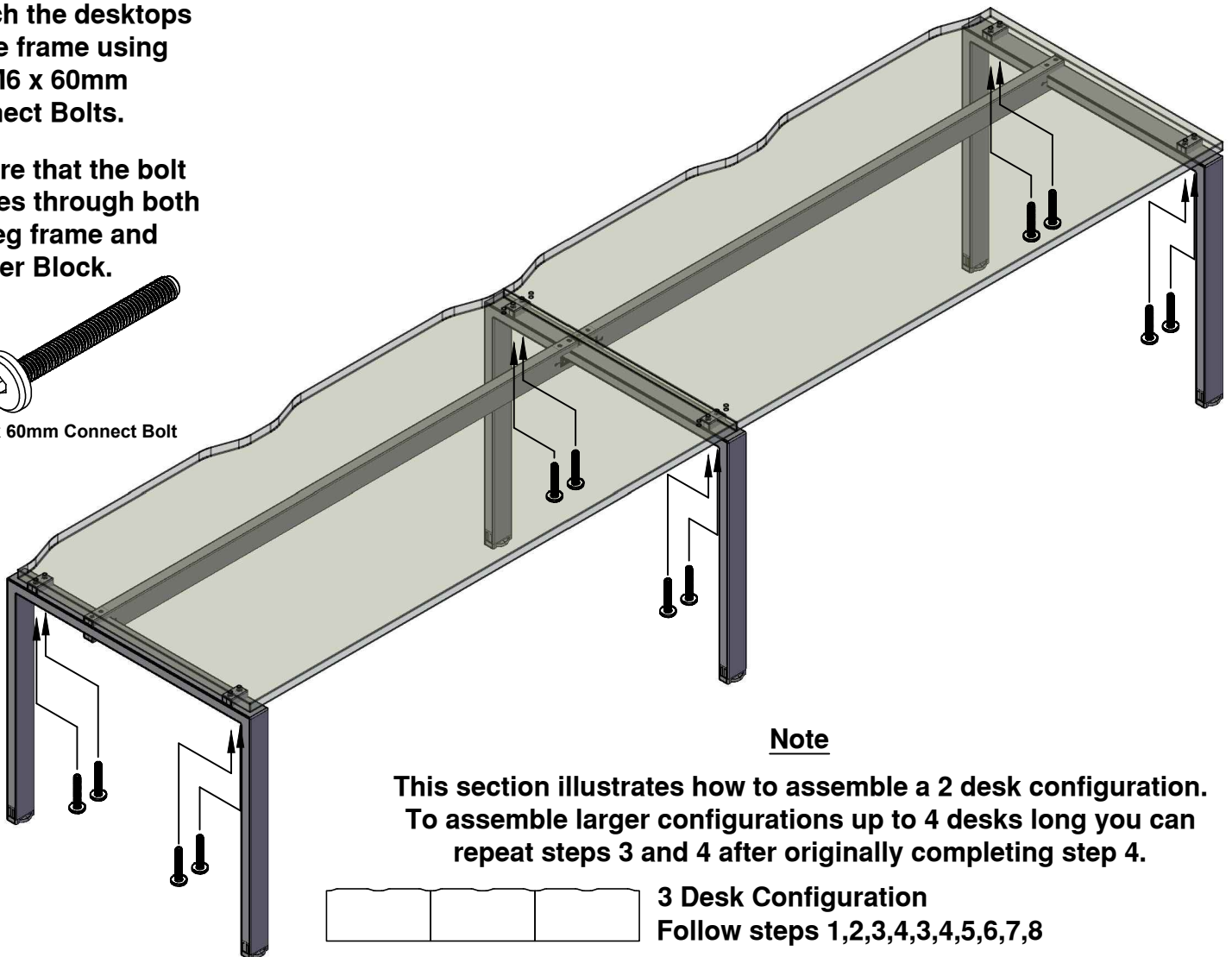
Attach the desktops to the frame using the M6 x 60mm Connect Bolts.

Ensure that the bolt passes through both the leg frame and Spacer Block.

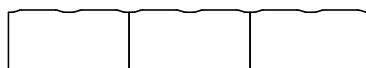
12x



M6 x 60mm Connect Bolt

**Note**

This section illustrates how to assemble a 2 desk configuration. To assemble larger configurations up to 4 desks long you can repeat steps 3 and 4 after originally completing step 4.

**3 Desk Configuration**

Follow steps 1,2,3,4,3,4,5,6,7,8

**4 Desk Configuration**

Follow steps 1,2,3,4,3,4,3,4,5,6,7,8