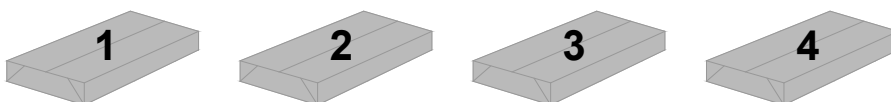
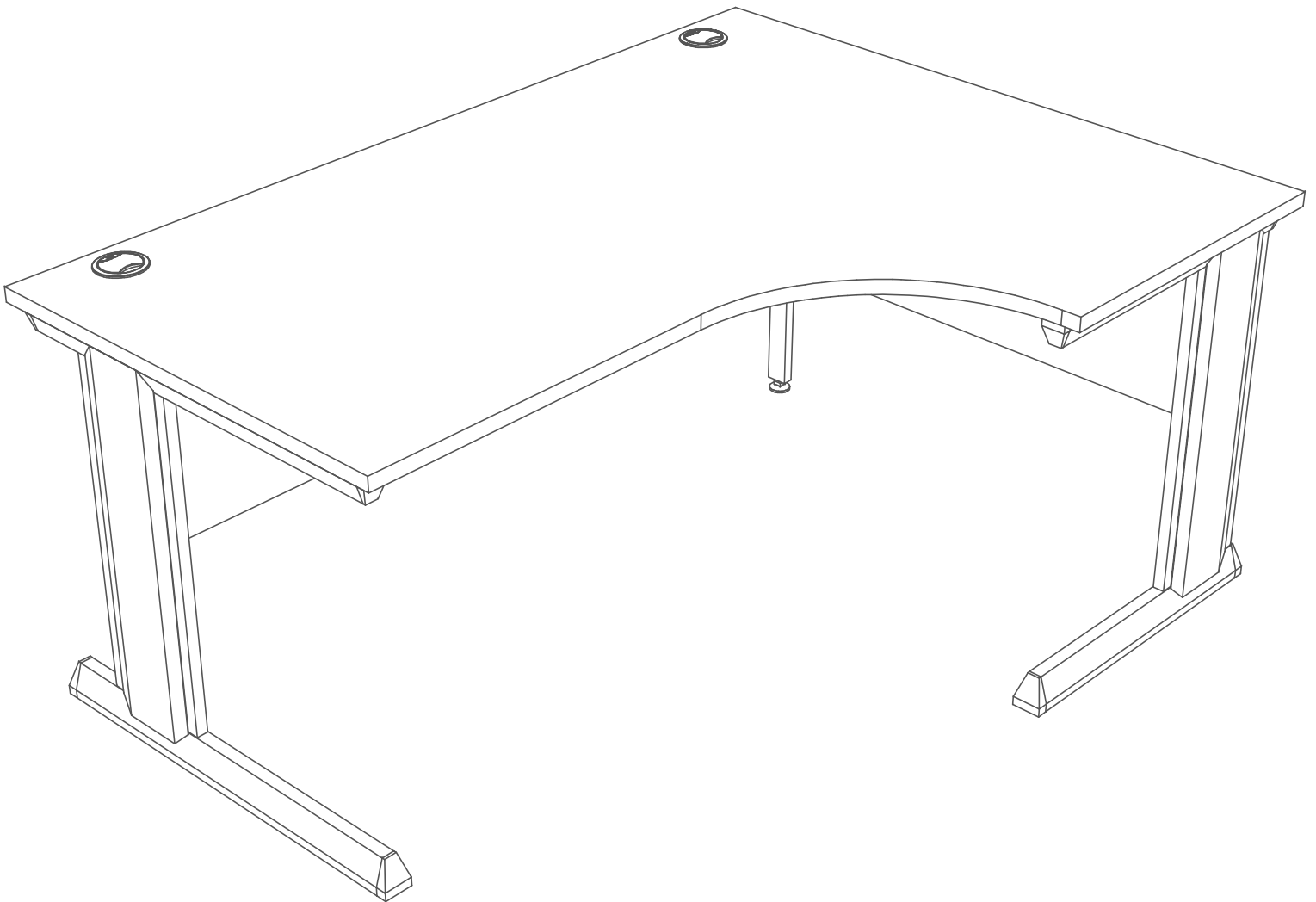
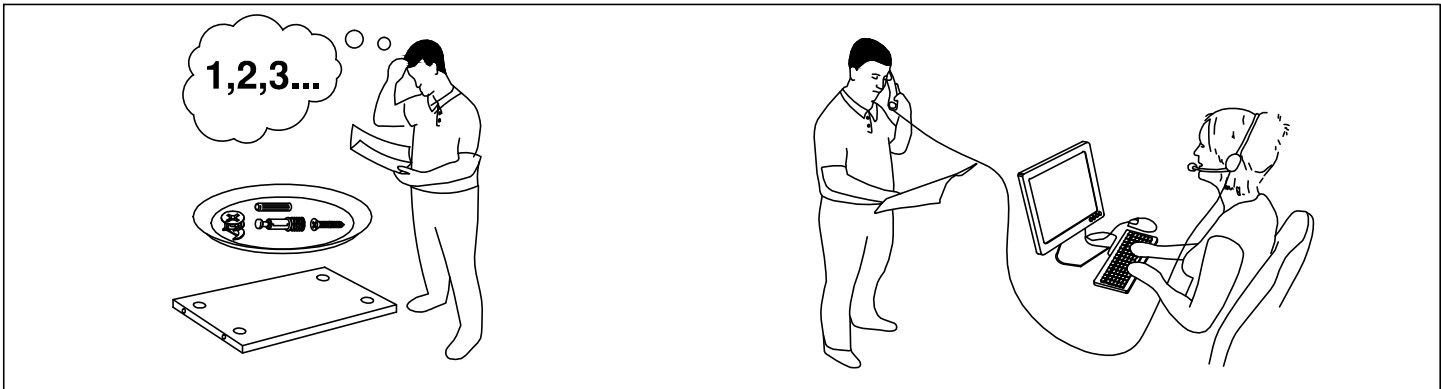
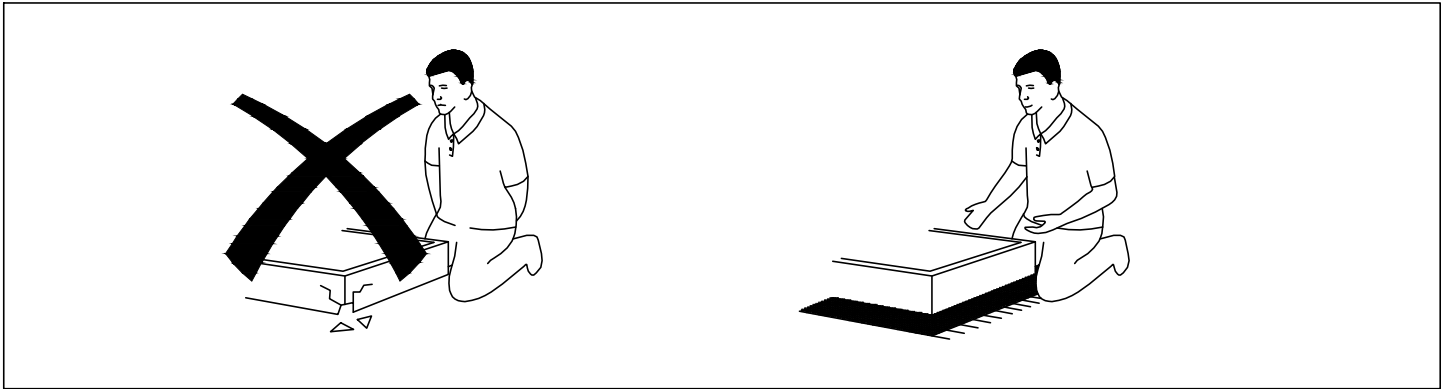
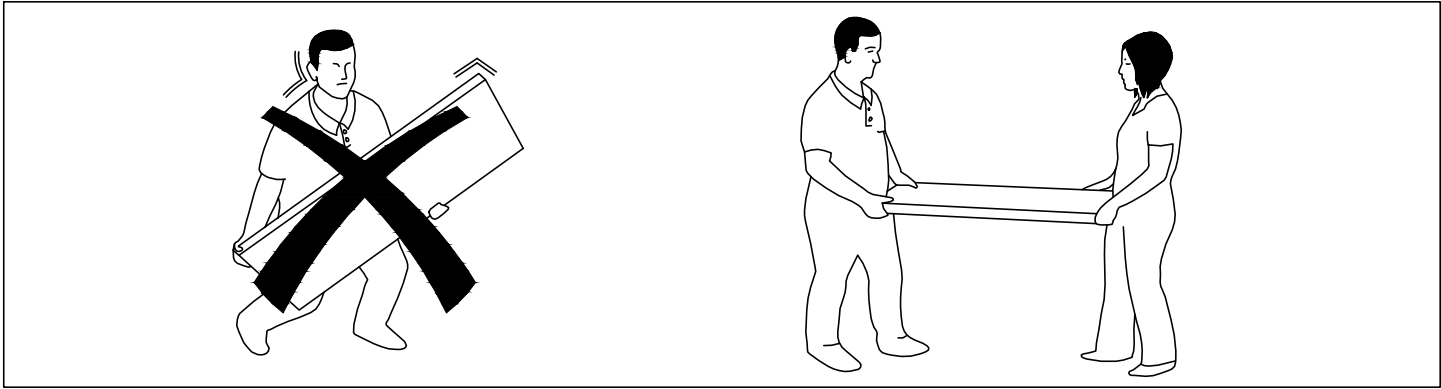
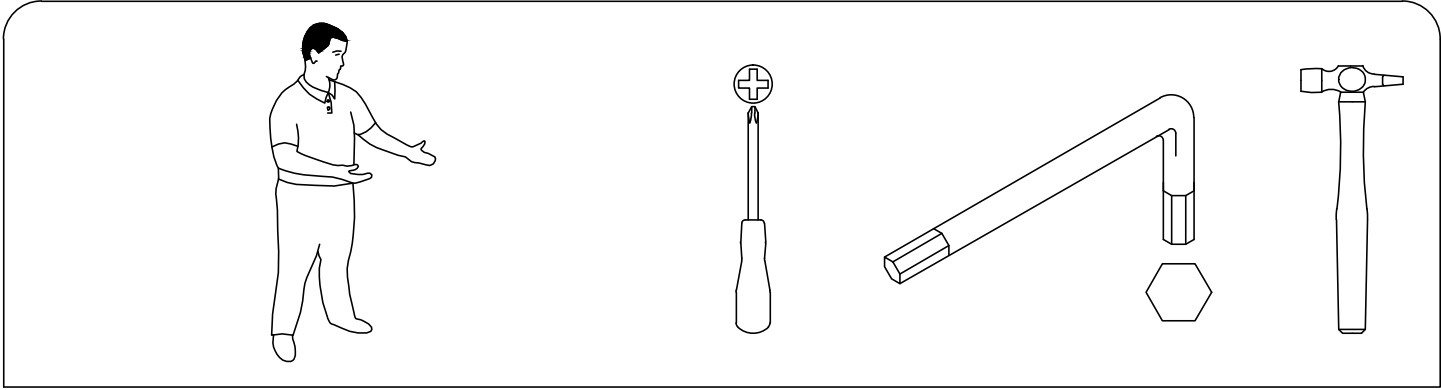


VIVO II Ergonomic Desk (V2EL)

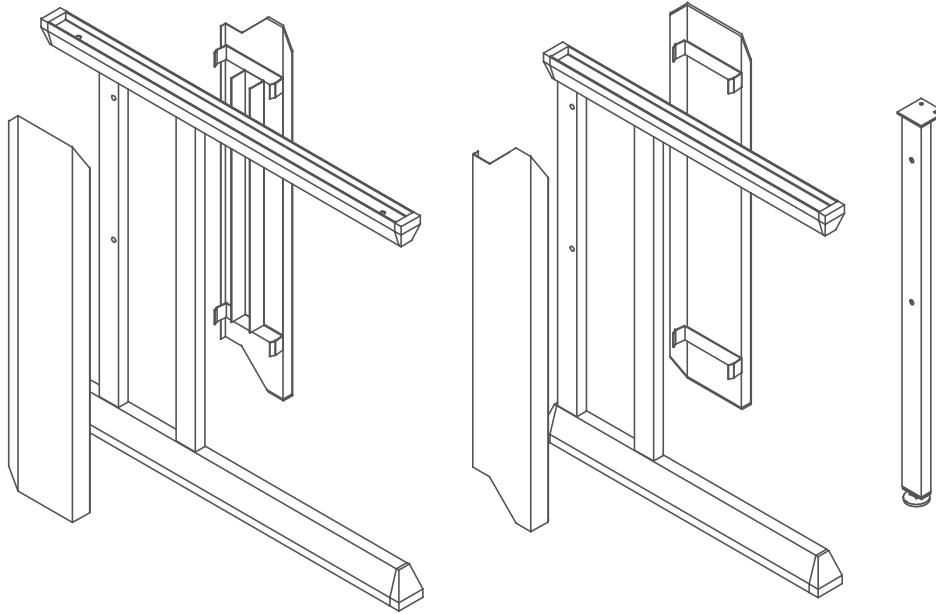
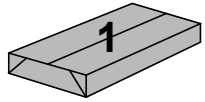
VEL16/ VEL18

VER16/VER18

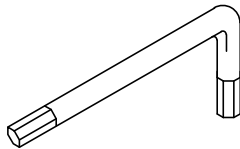




**Before disposing of any packaging
Please check that you have all the fittings!**



1 4mm Allen Key
RM-ALK01



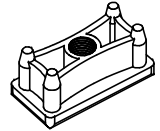
2 M6x8 Brass Insert
RM-PAR03



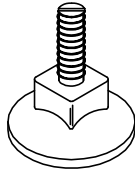
4 Nylon M6x10 Socket
RM-PAR05



1 M8 Tapped Ferrul 40x20
RM-FRL10



5 Adjustable Foot Dia 38mm
RM-FRL20



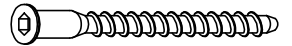
2 3/4" x 7 Screw
RM-SCR37



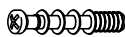
2 Cam 15N
RM-CAM03



6 Conformat Screw 70mm
RM-CFM04



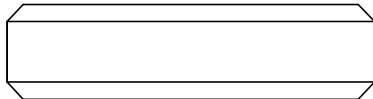
2 Mini Fix Pin 24mm
RM-PIN04



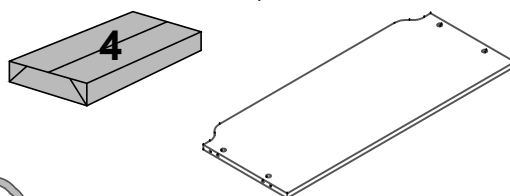
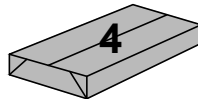
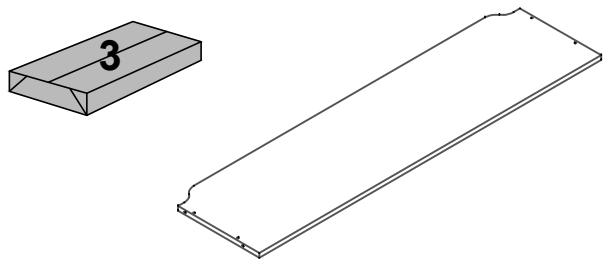
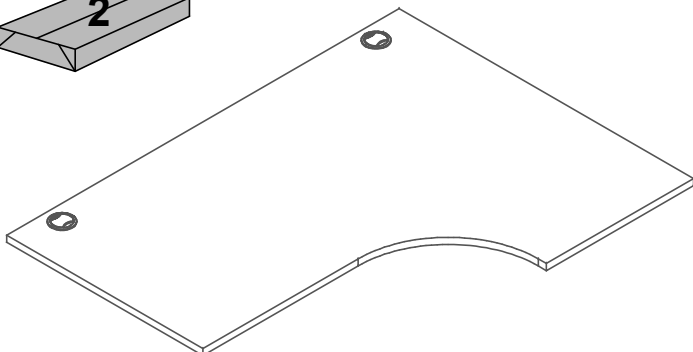
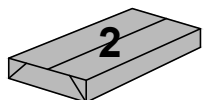
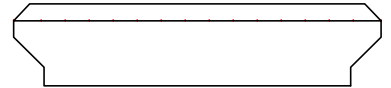
4 Connect Bolt M6x55mm
RM-BLT37



2 Outer Leg Cover
RM-LCV01



2 Inner Leg Cover
RM-LCV02

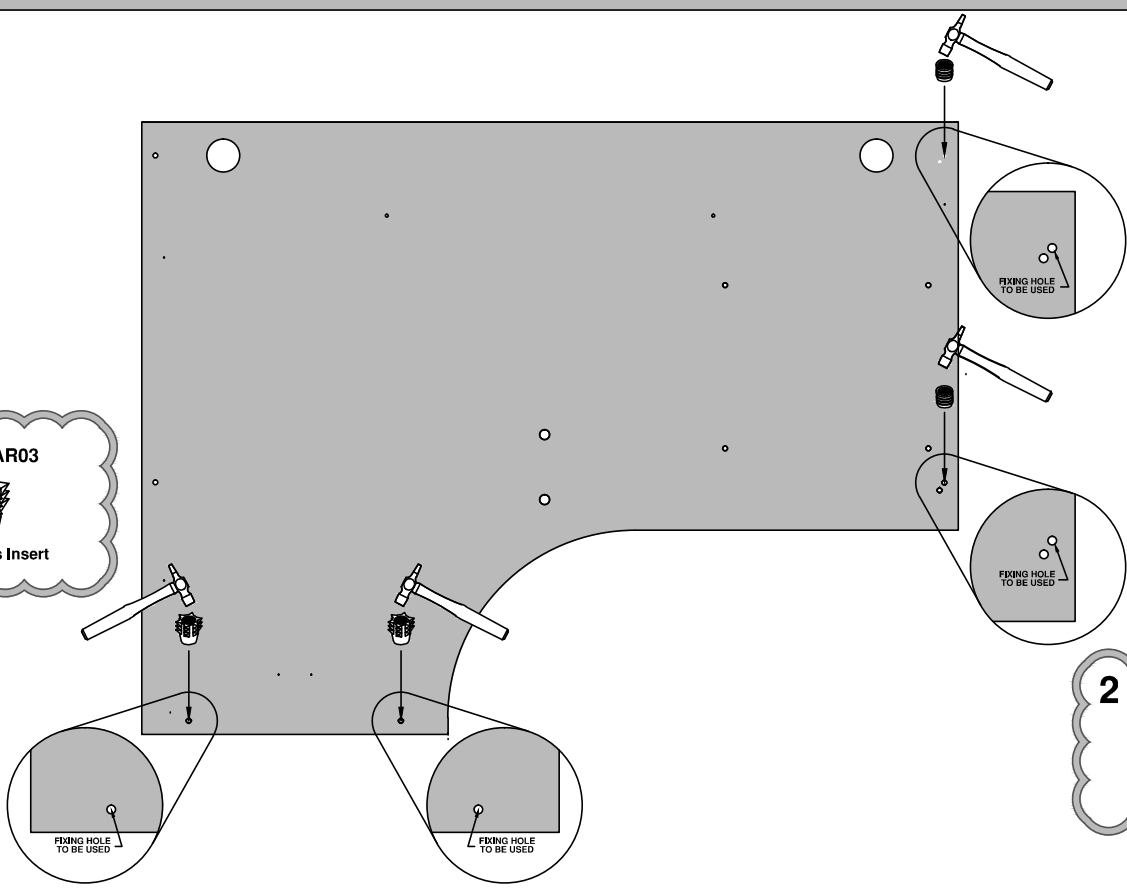


CABLE PORTS SUPPLIED WITH DESK TOP

1

2 X RM-PAR03

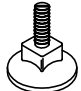
M6x8 Brass Insert

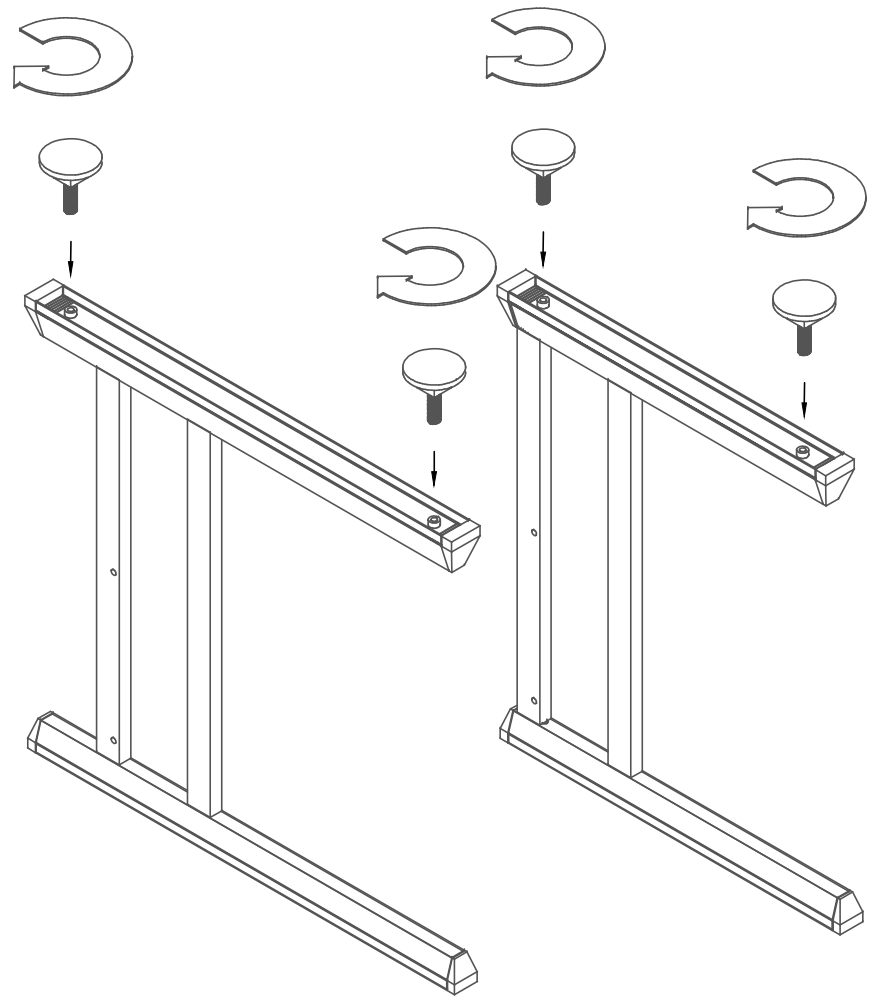


2 X RM-PAR05

Nylon M6x10 Socket

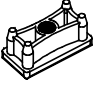
2

4 X RM-FRL20

Adjustable Foot Dia 38mm

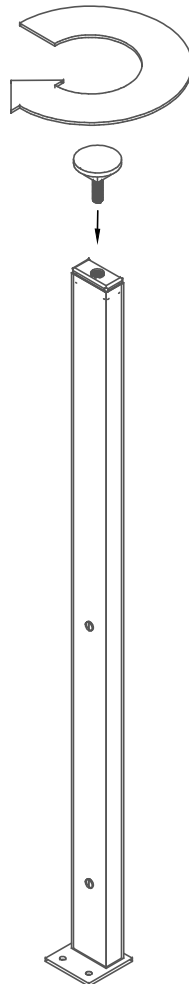


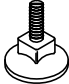
3



1 X RM-FRL10

M8 Tapped Ferrul 40x20

4



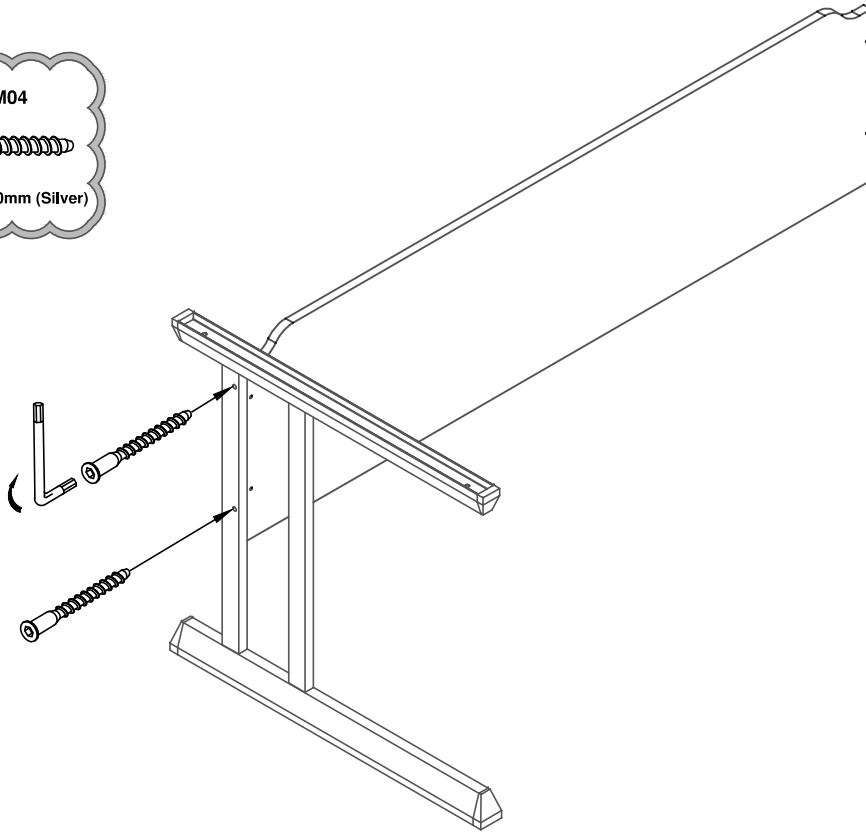
1 X RM-FRL20

Adjustable Foot Dia 38mm

5

2 X RM-CFM04



Confirmat Screw 70mm (Silver)

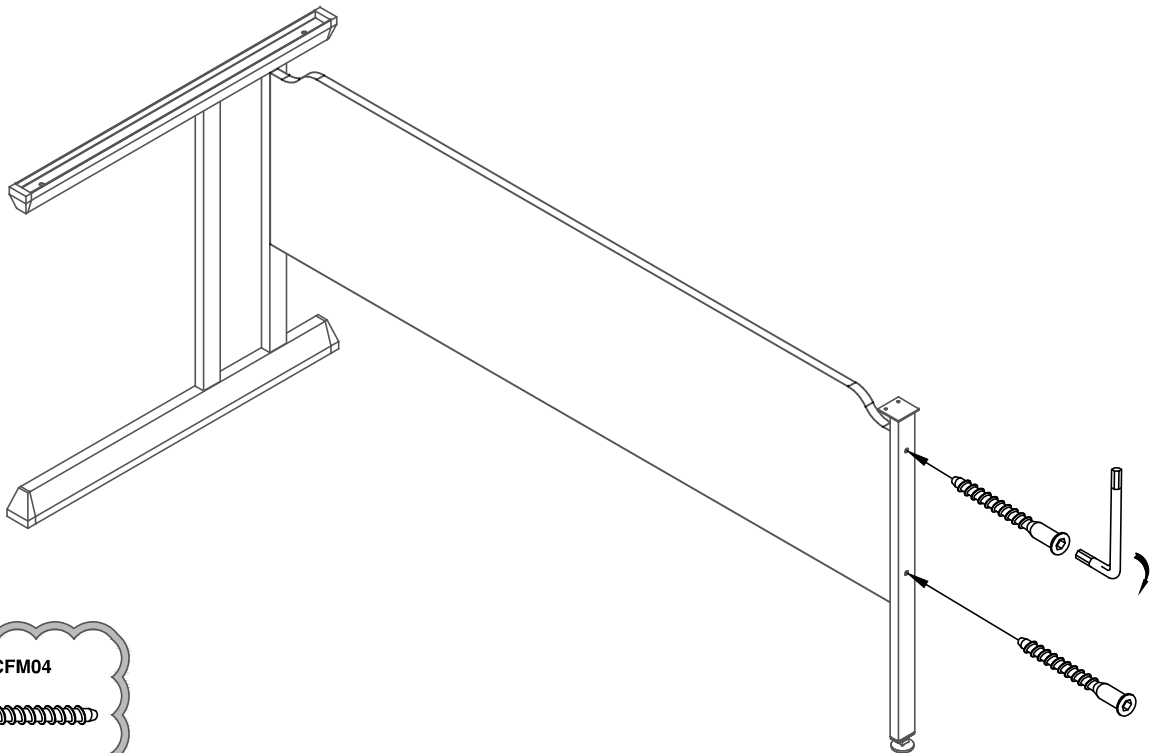


6

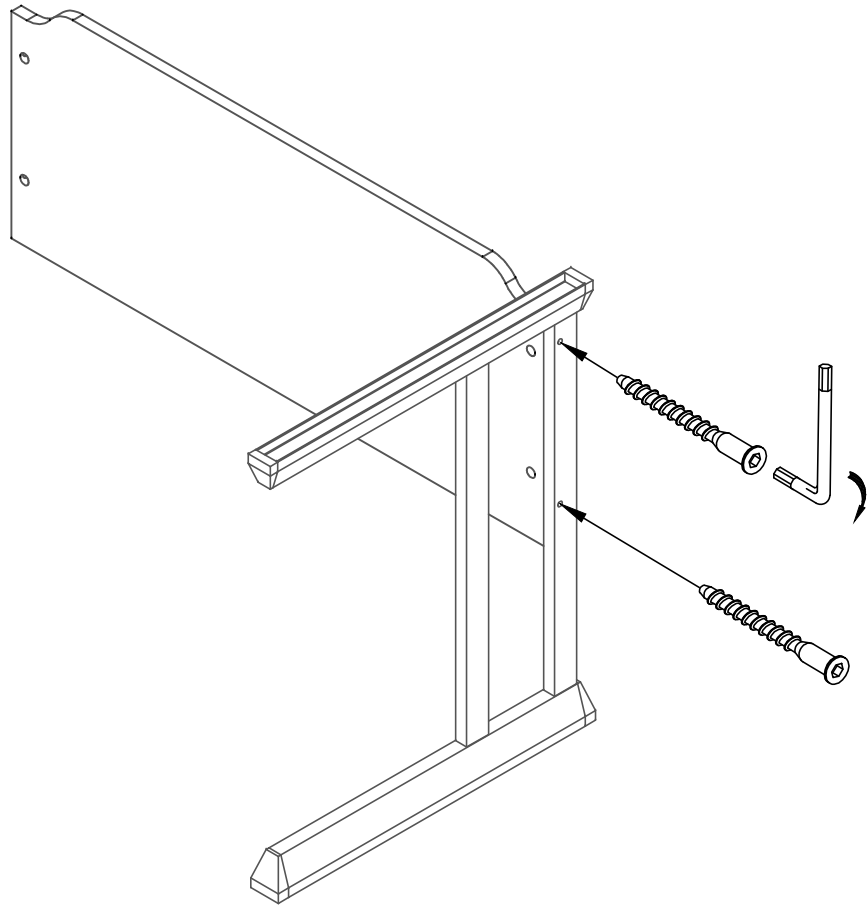
2 X RM-CFM04



Confirmat Screw 70mm (Silver)



7

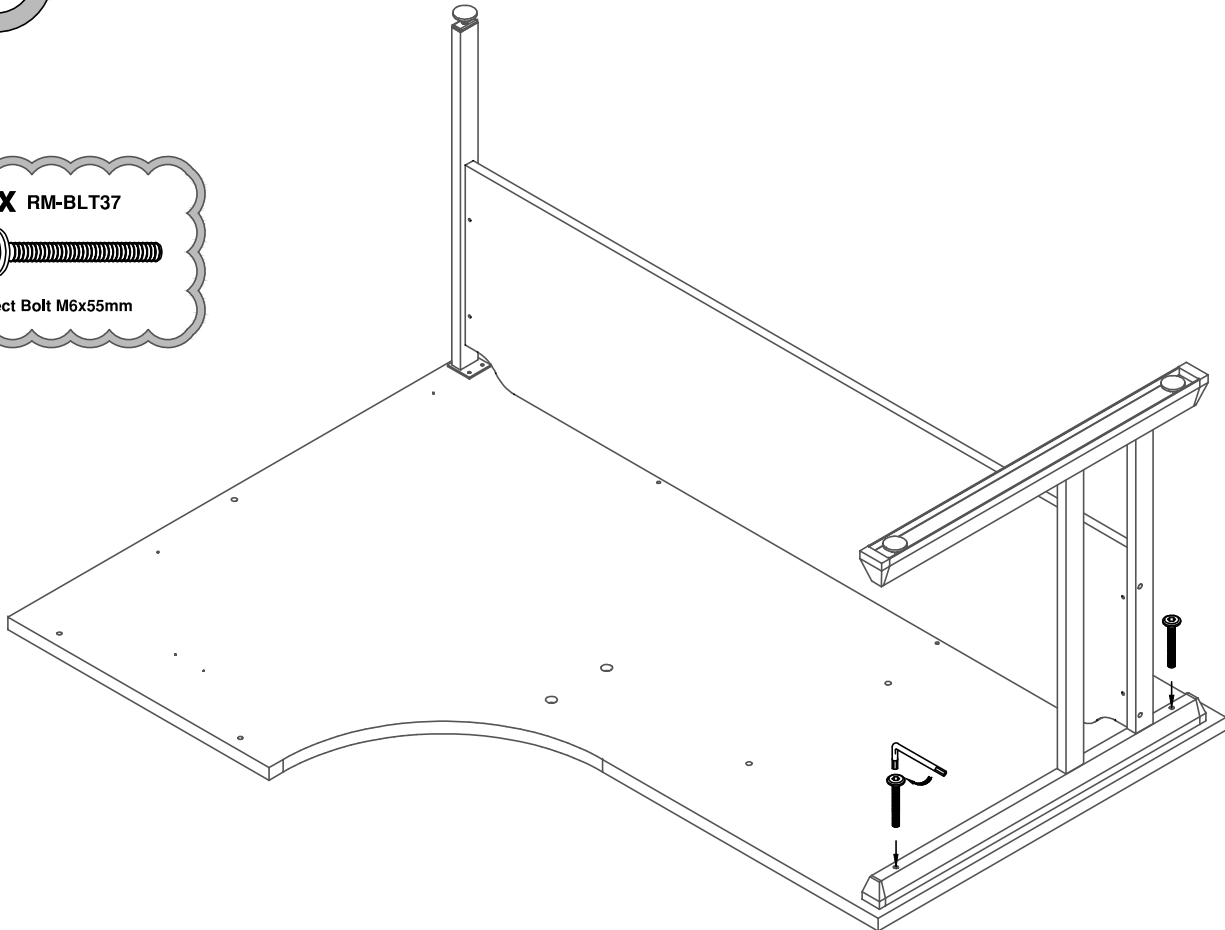


2 X RM-CFM04



Confirmat Screw 70mm (Silver)

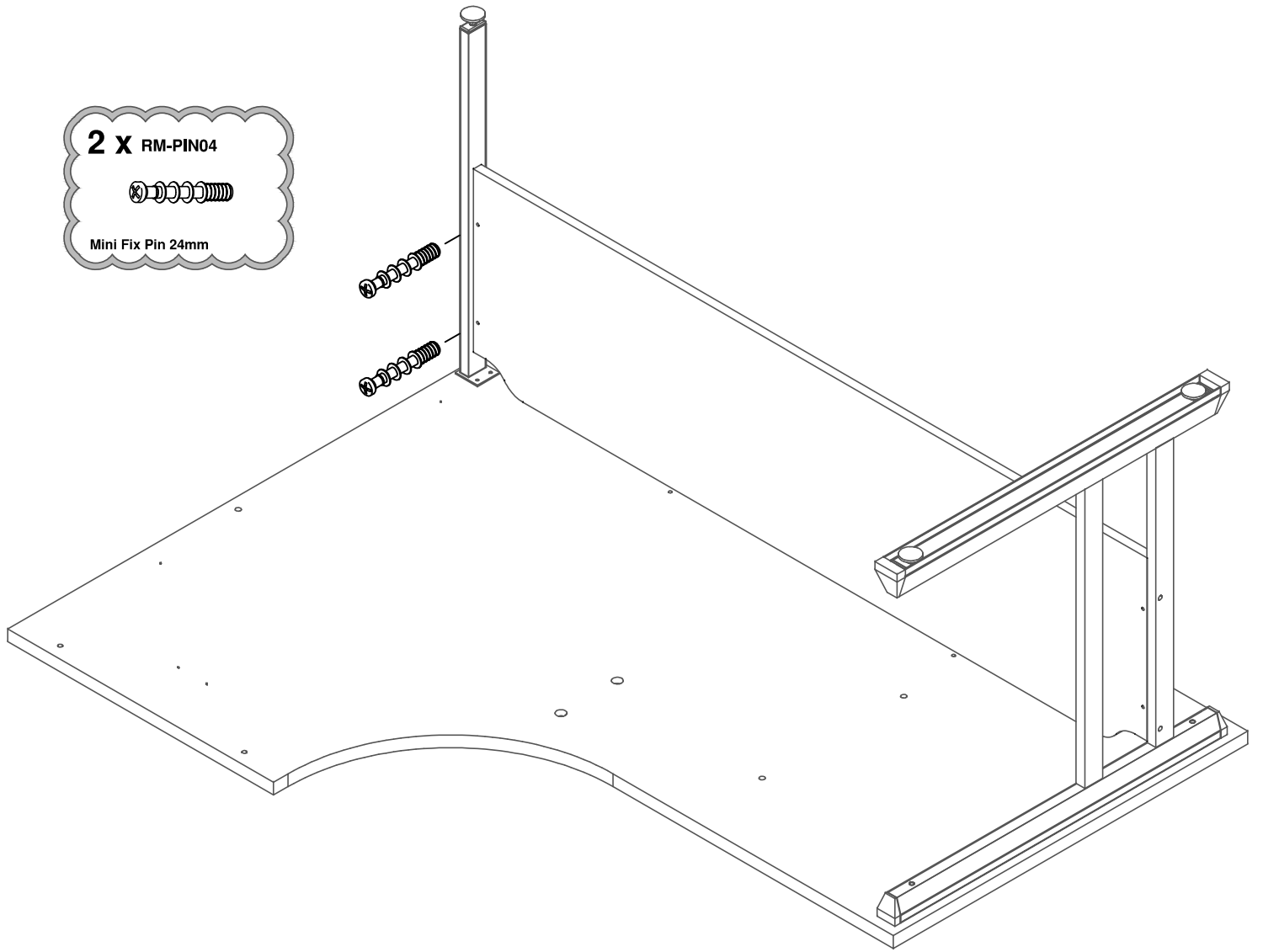
8



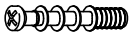
2 X RM-BLT37




Connect Bolt M6x55mm



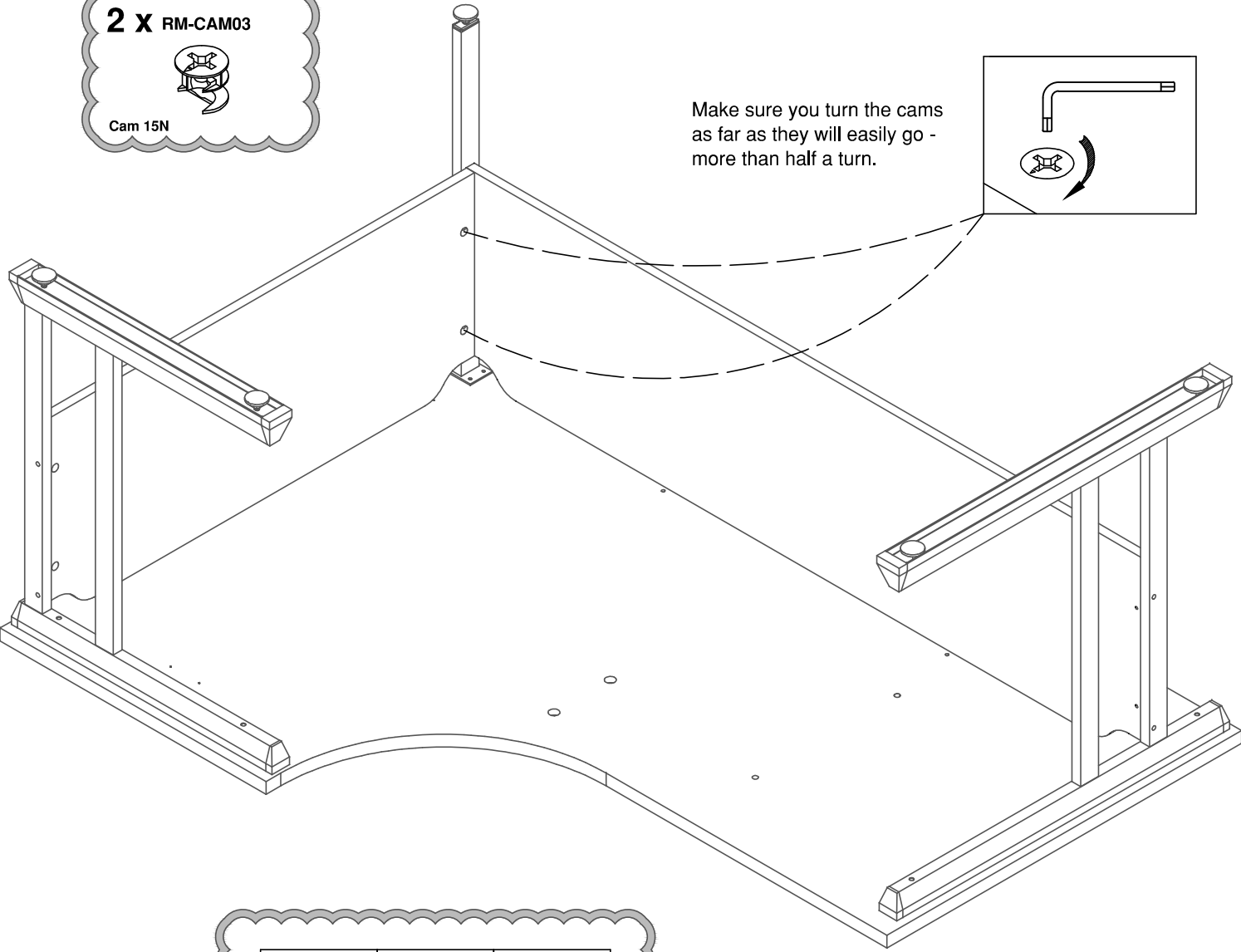
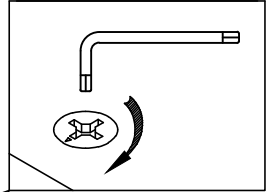
2 x RM-PIN04






Mini Fix Pin 24mm

2 X RM-CAM03

 Cam 15N

Make sure you turn the cams as far as they will easily go - more than half a turn.



<p>CAM</p> 	 EDGE	 EDGE
--	---	---

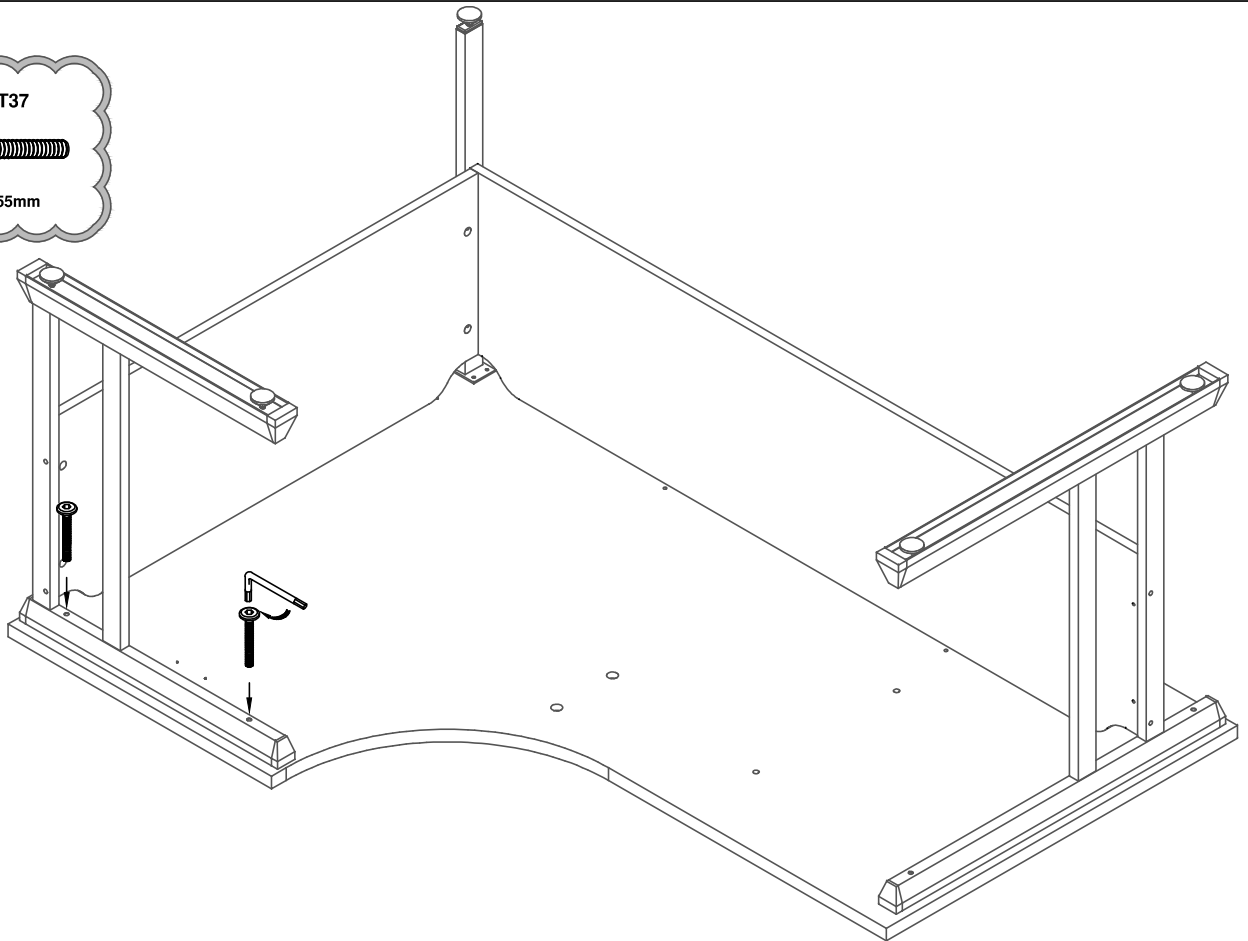
Insert the cam into the 'surface' hole with the arrow aimed at the adjacent edge which has the smaller hole.

11

2 X RM-BLT37



Connect Bolt M6x55mm

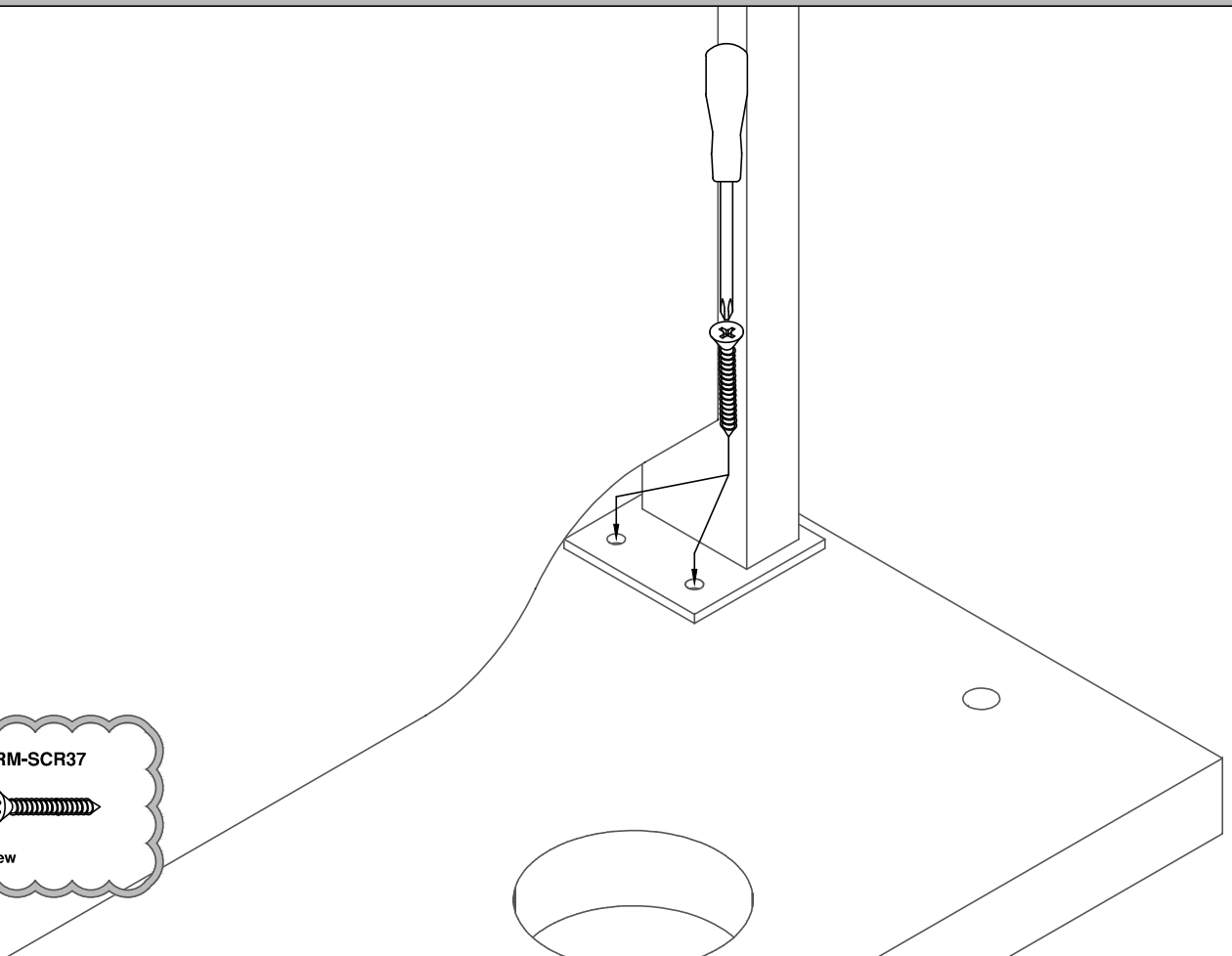


12

2 X RM-SCR37

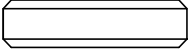


3/4" x 7 Screw



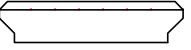
13

1 X RM-LCV01

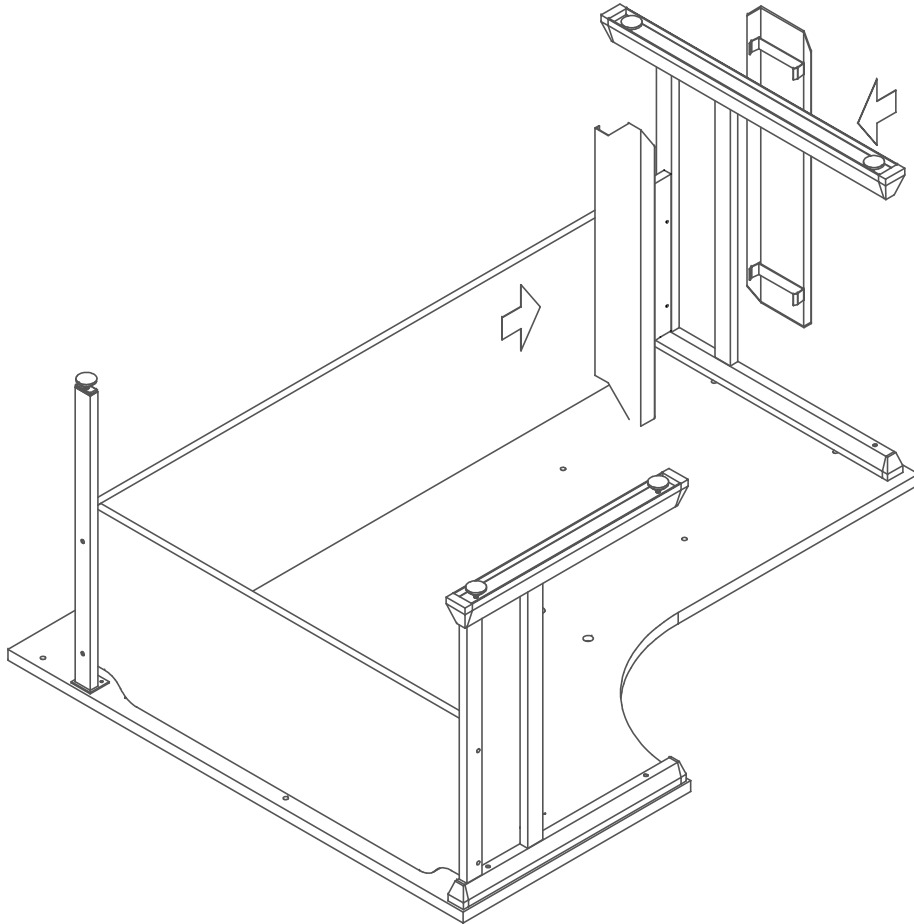


External Leg Cover

1 X RM-LCV02

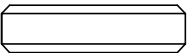


Internal Leg Cover



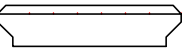
14

1 X RM-LCV01

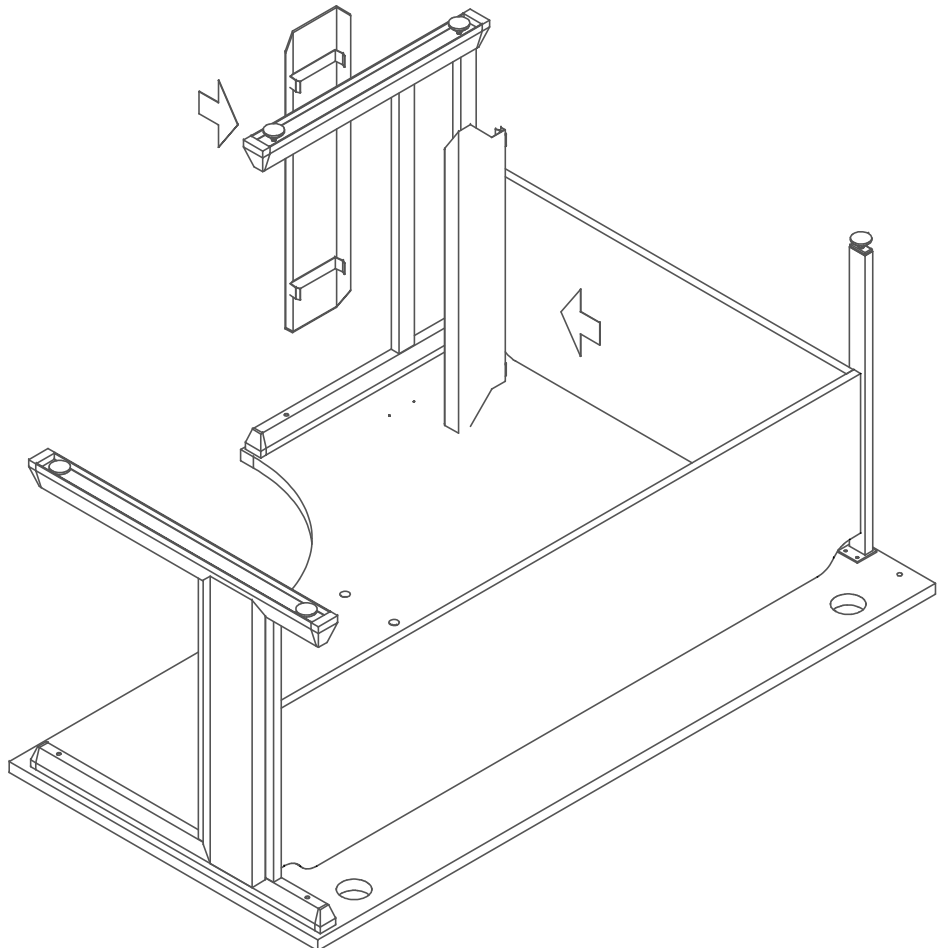


External Leg Cover

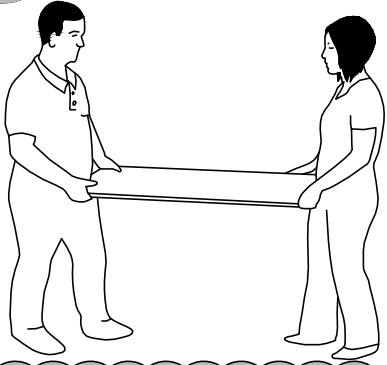
1 X RM-LCV02



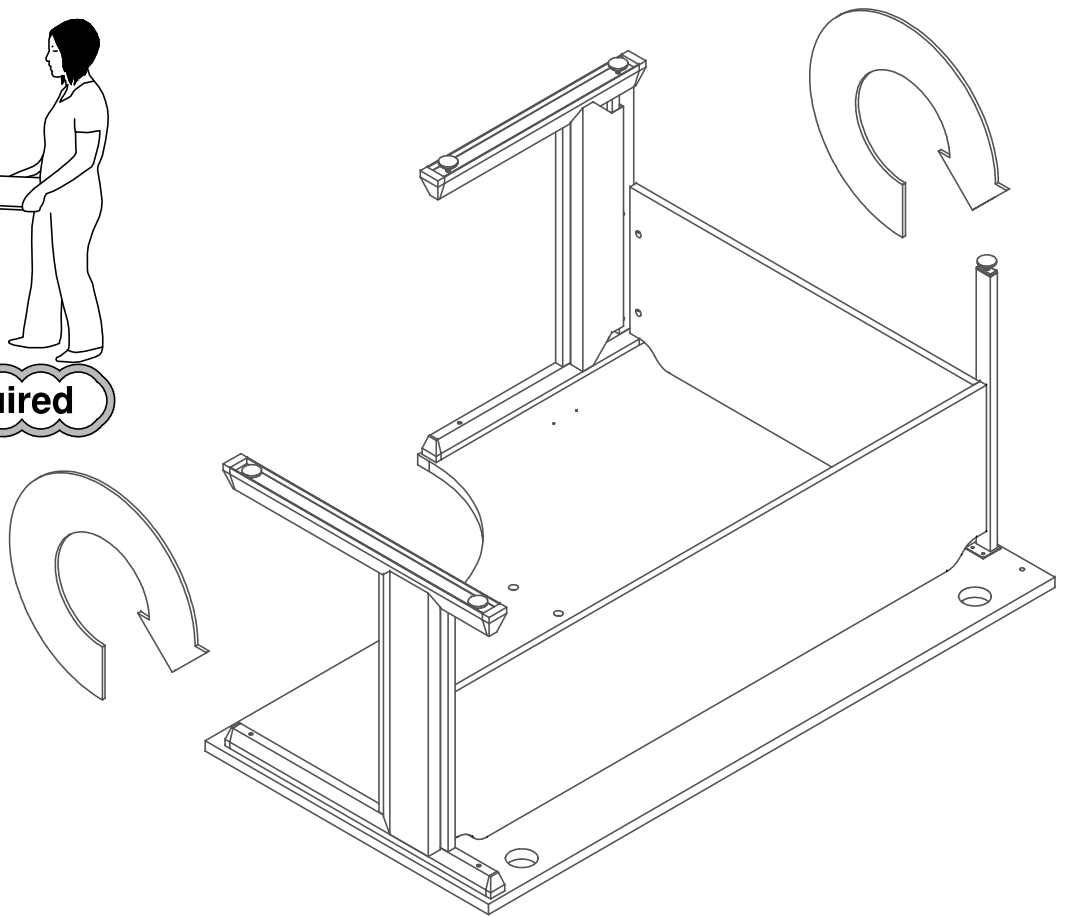
Internal Leg Cover



14



2 Man Lift Required



15

