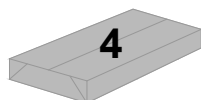
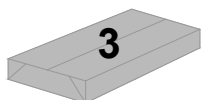
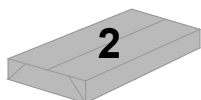
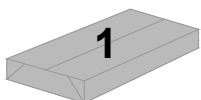
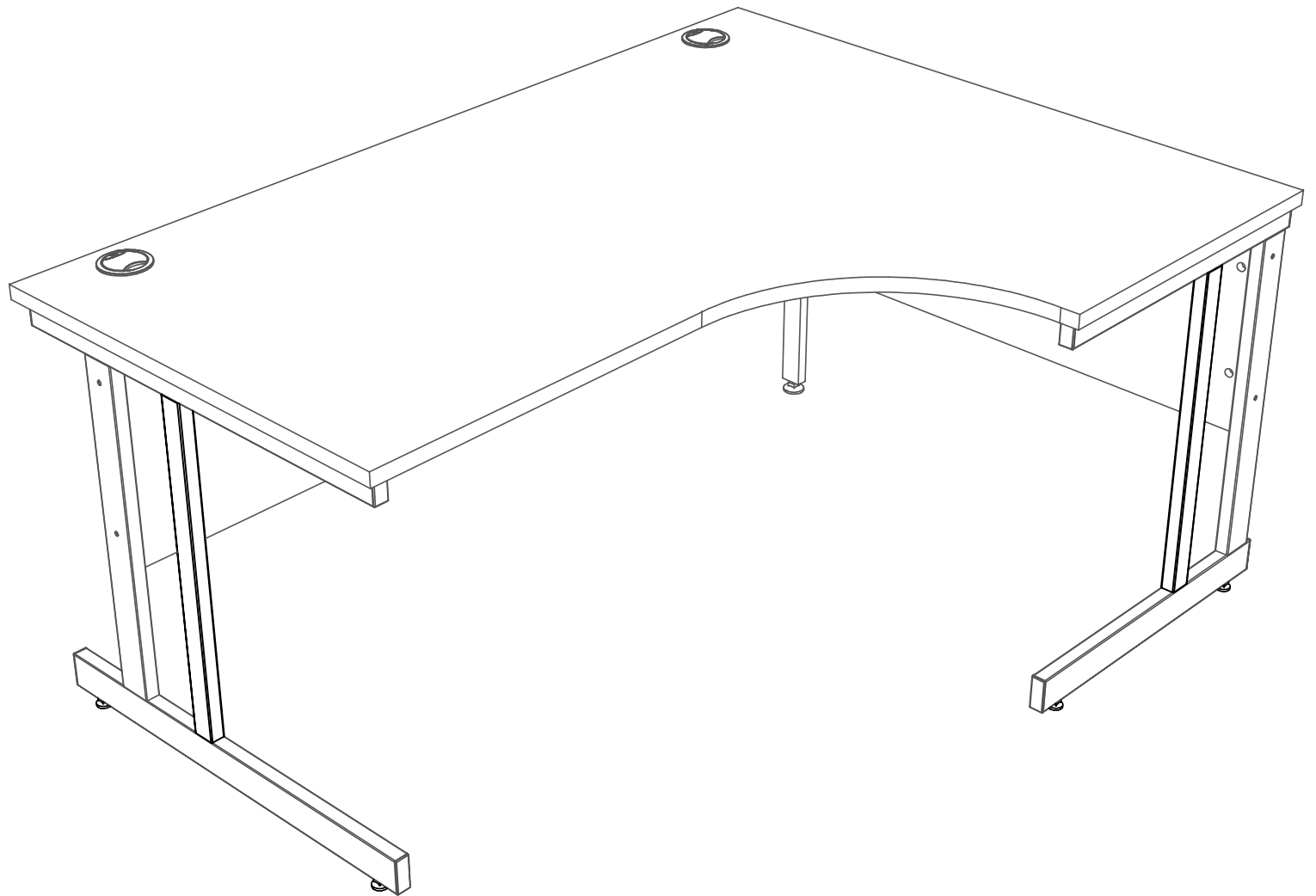
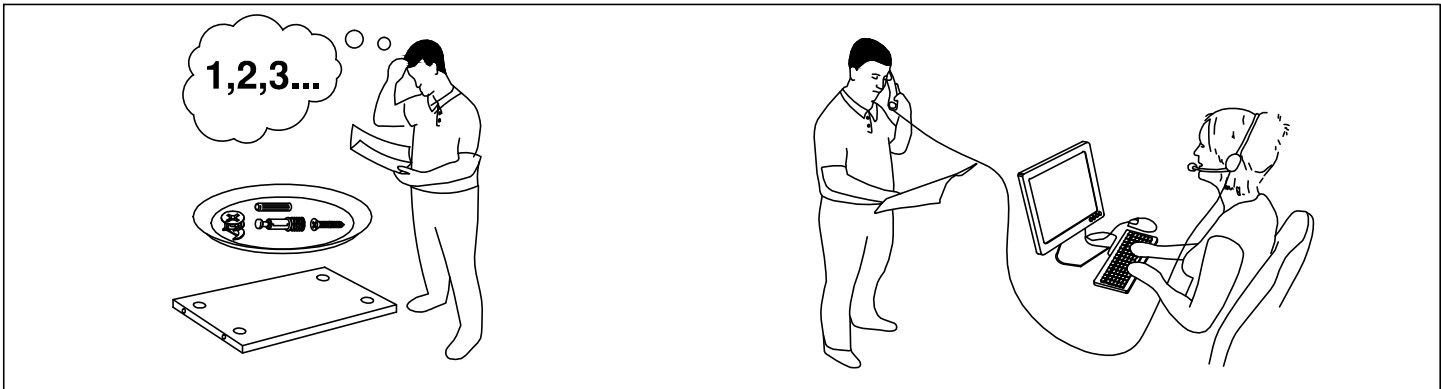
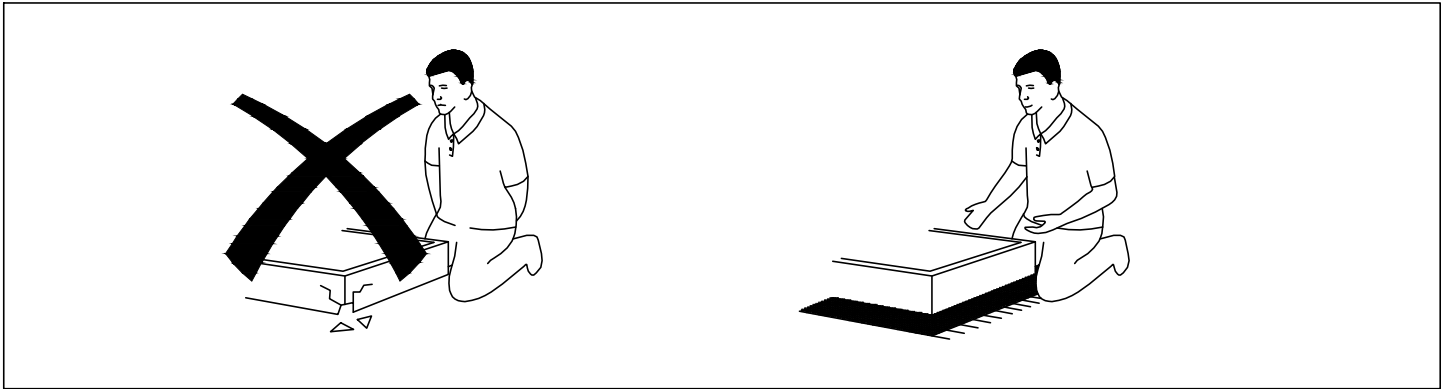
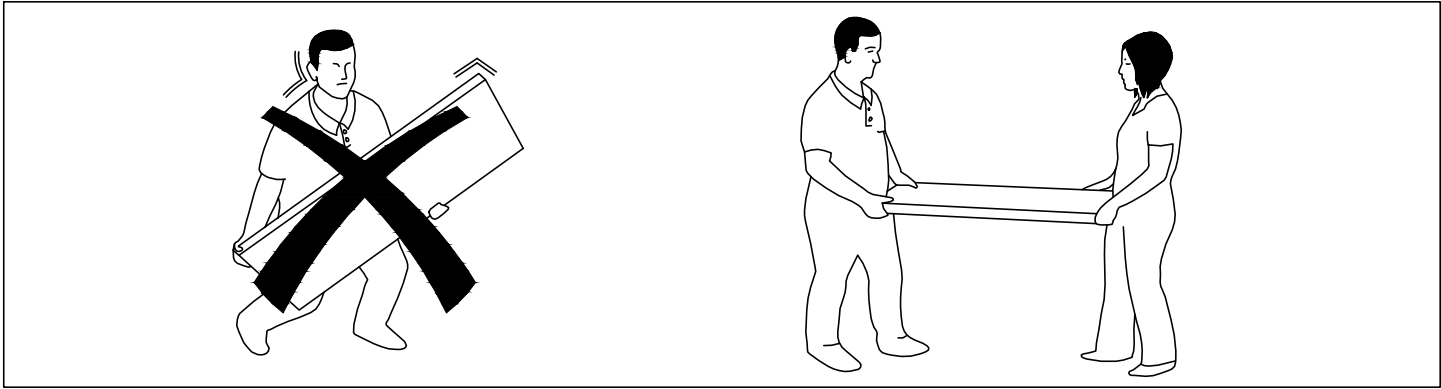
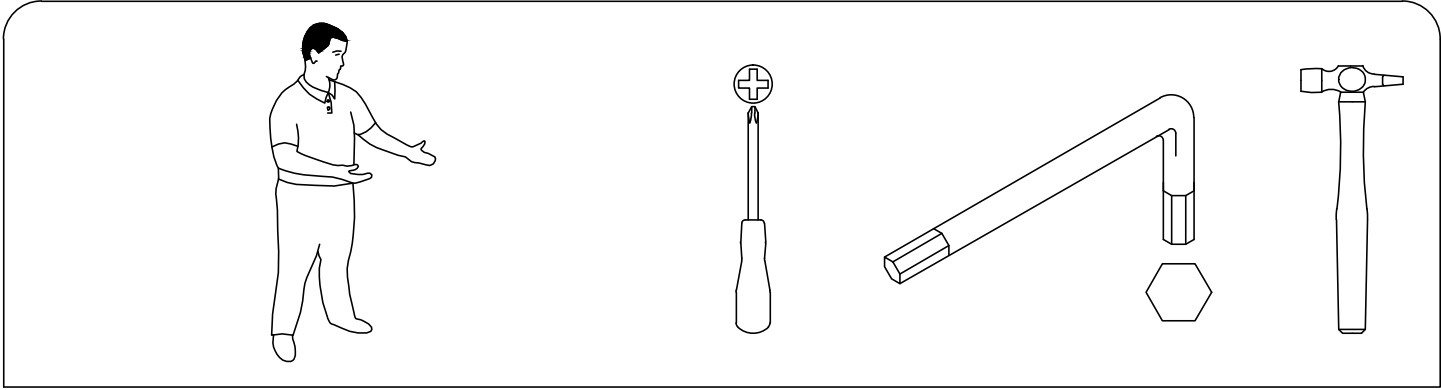
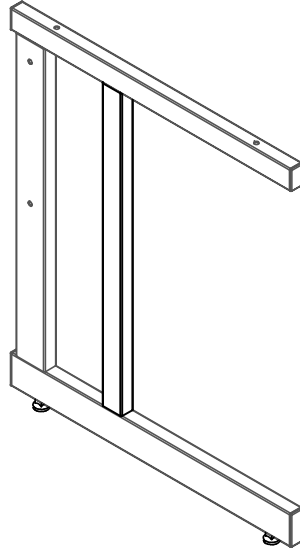
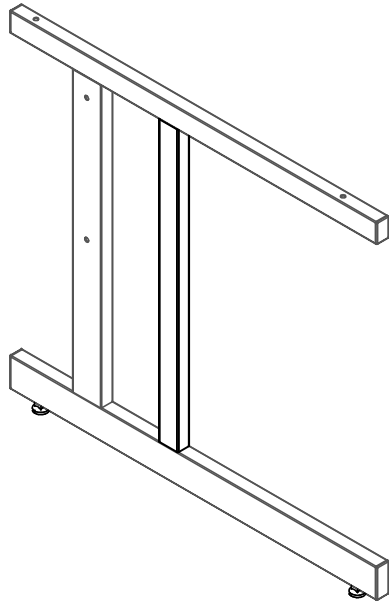
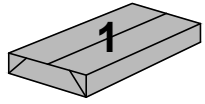


Momento Ergonomic Desk MOEL

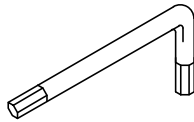




**Before disposing of any packaging
Please check that you have all the fittings!**



1 4mm Allen Key
RM-ALK01



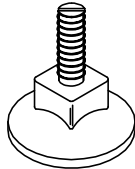
2 Nylon M6x10 Socket
RM-PAR05



2 M6x8 Brass Insert
RM-PAR03



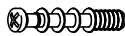
5 Adjustable Foot Dia 25mm
RM-FRL19



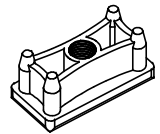
2 Cam 15N
RM-CAM03



2 Mini Fix Pin 24mm
RM-PIN04



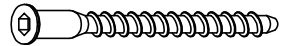
1 M8 Tapped Ferrul 40x20
RM-FRL10



2 3/4" x 7 Screw
RM-SCR37



6 Conformat Screw 70mm
RM-CFM04 (Zinc)



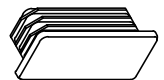
4 Connect Bolt M6x50mm
RM-BLT05



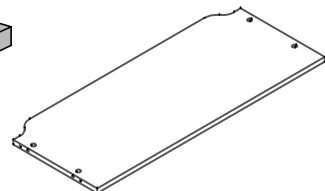
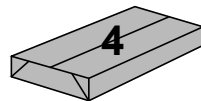
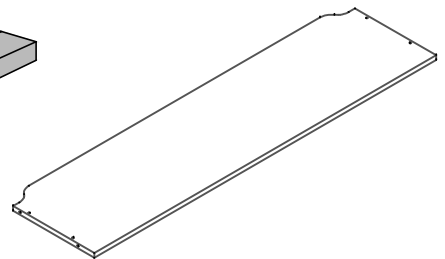
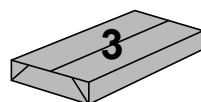
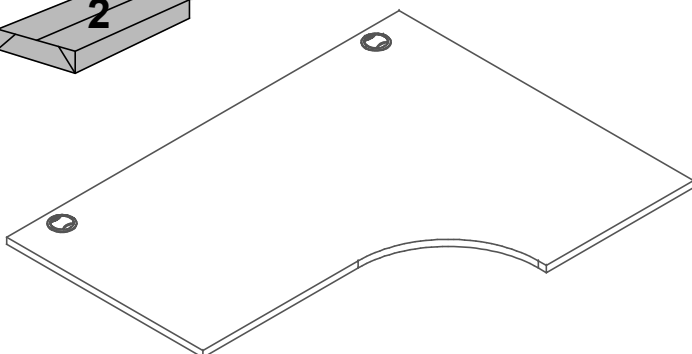
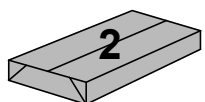
4 Ferrul 40x25
RM-FRL25 (Silver)



4 Ferrul 60x25
RM-FRL33 (Silver)



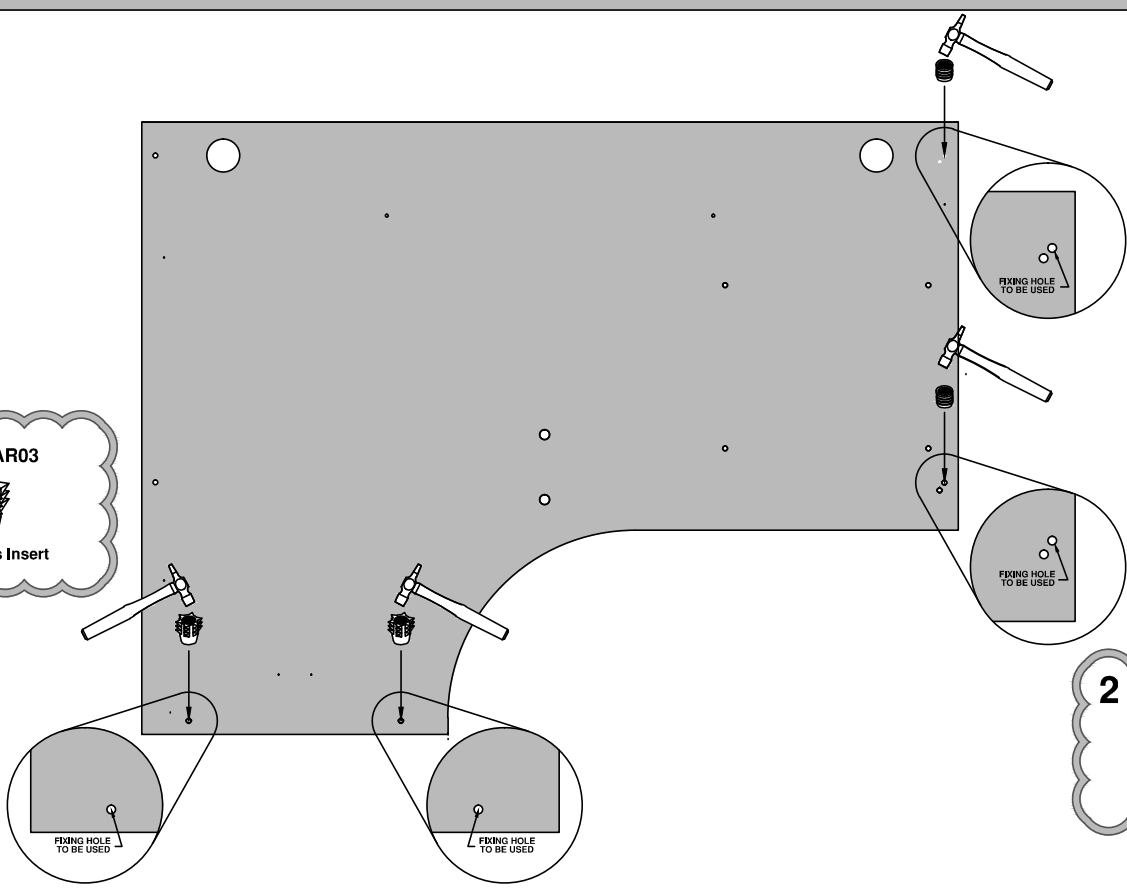
2 15mm Cover Cap
RM-CAP16 (Light Grey)



CABLE PORTS SUPPLIED WITH DESK TOP

1

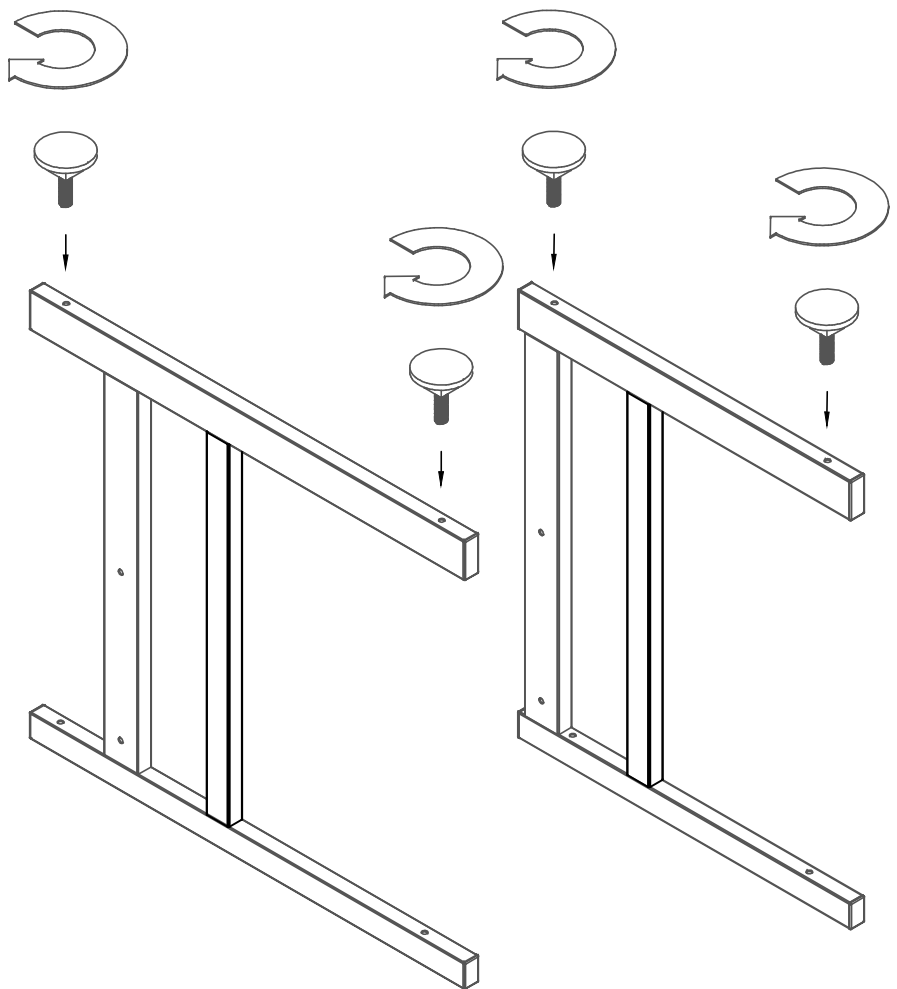
2 X RM-PAR03
M6x8 Brass Insert



2 X RM-PAR05
Nylon M6x10 Socket

2

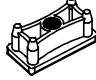
4 X RM-FRL19
Adjustable Foot Dia 25mm



3

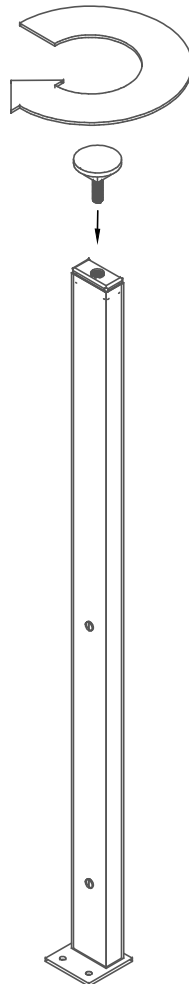


1 X RM-FRL10

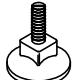


M8 Tapped Ferrul 40x20

4



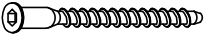
1 X RM-FRL20



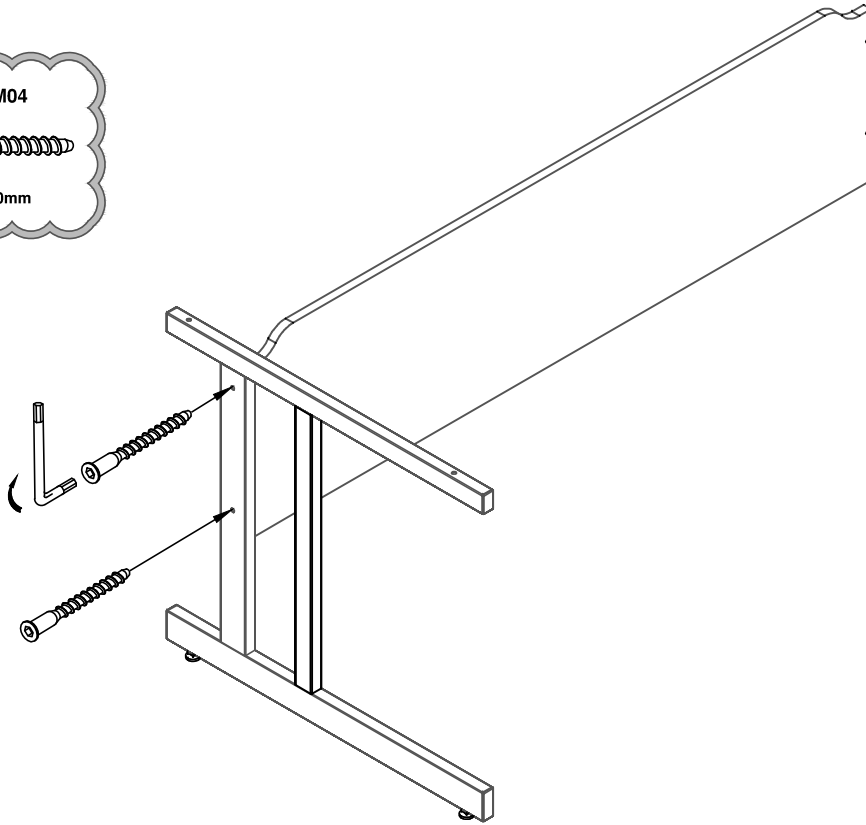
Adjustable Foot Dia 38mm

5

2 X RM-CFM04

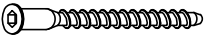


Confirmat Screw 70mm

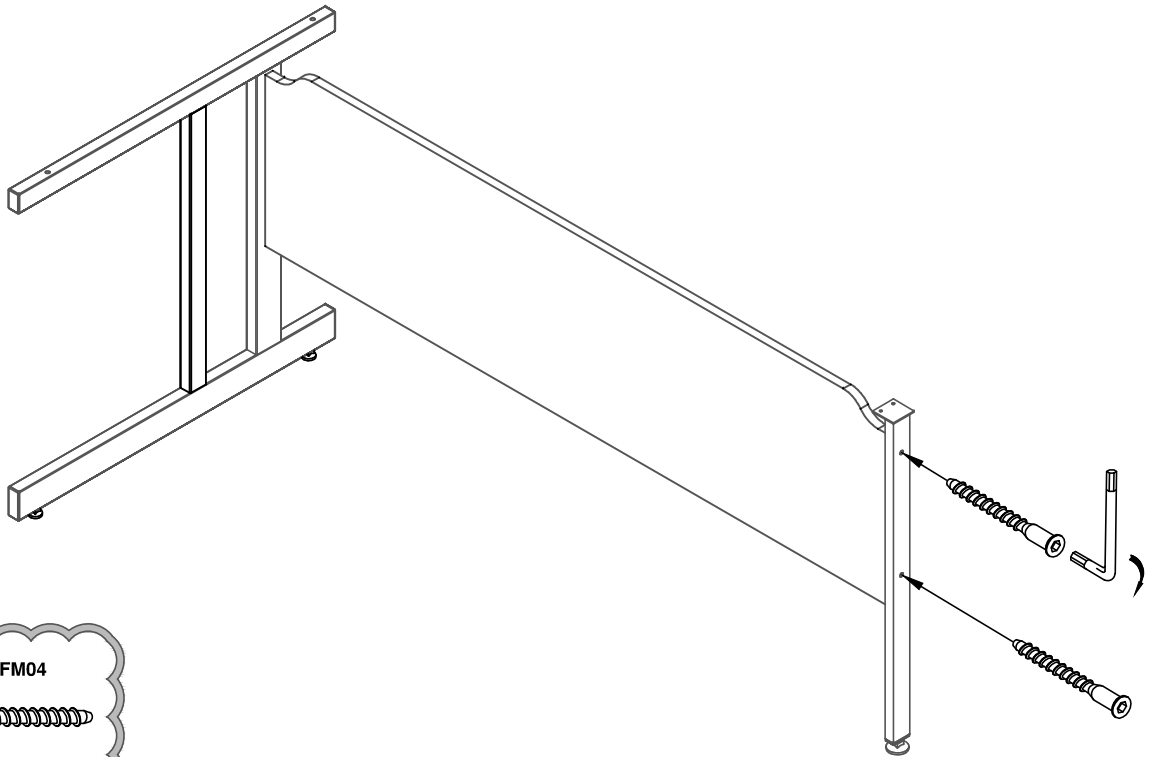


6

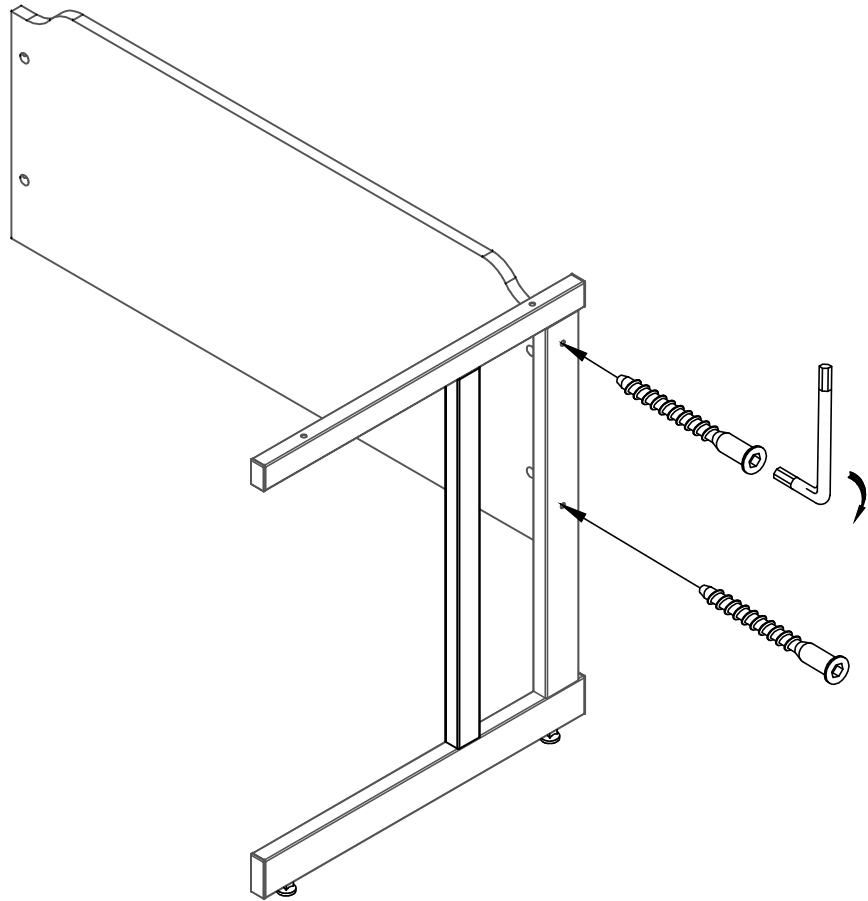
2 X RM-CFM04



Confirmat Screw 70mm



7

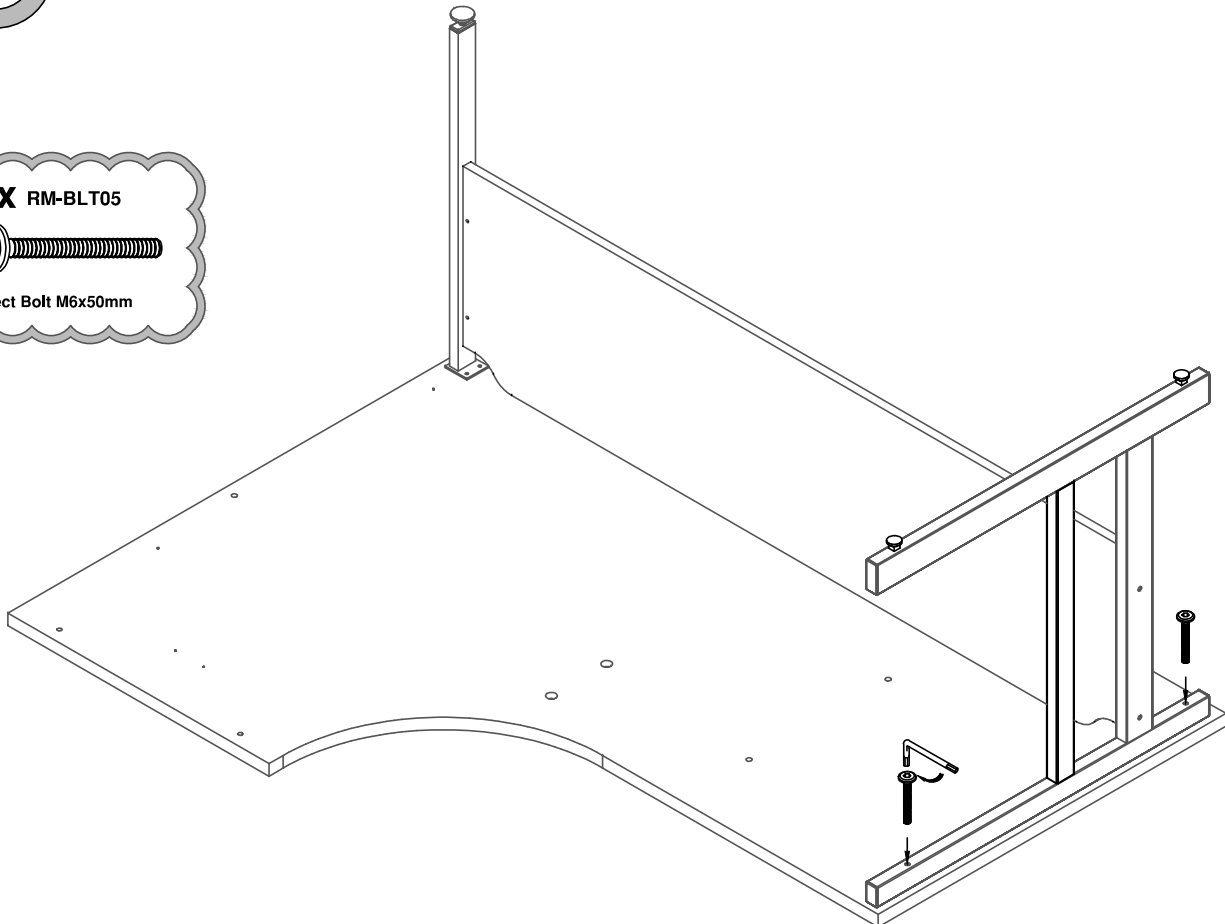


2 X RM-CFM04



Confirmat Screw 70mm

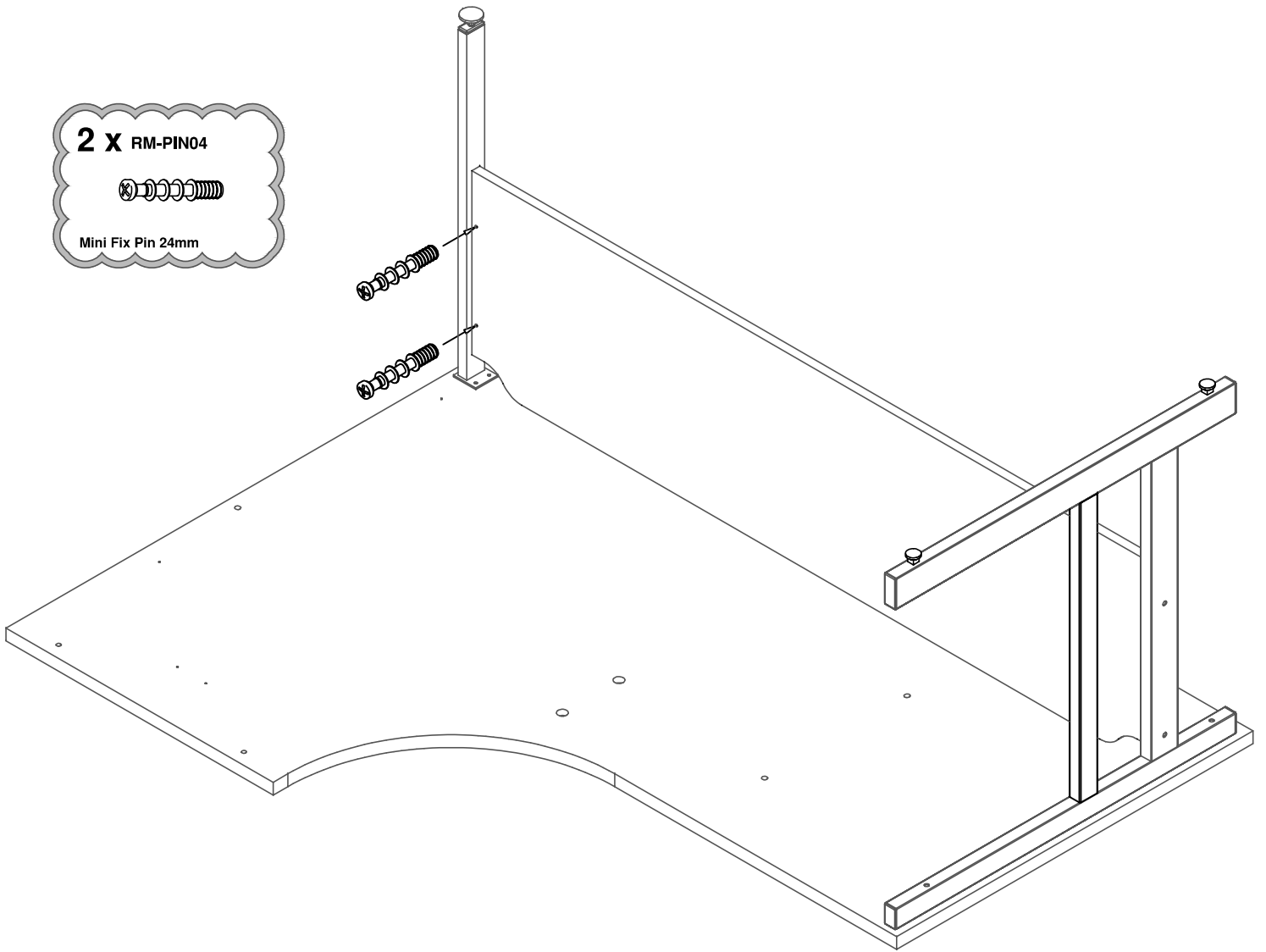
8




2 X RM-BLT05



Connect Bolt M6x50mm

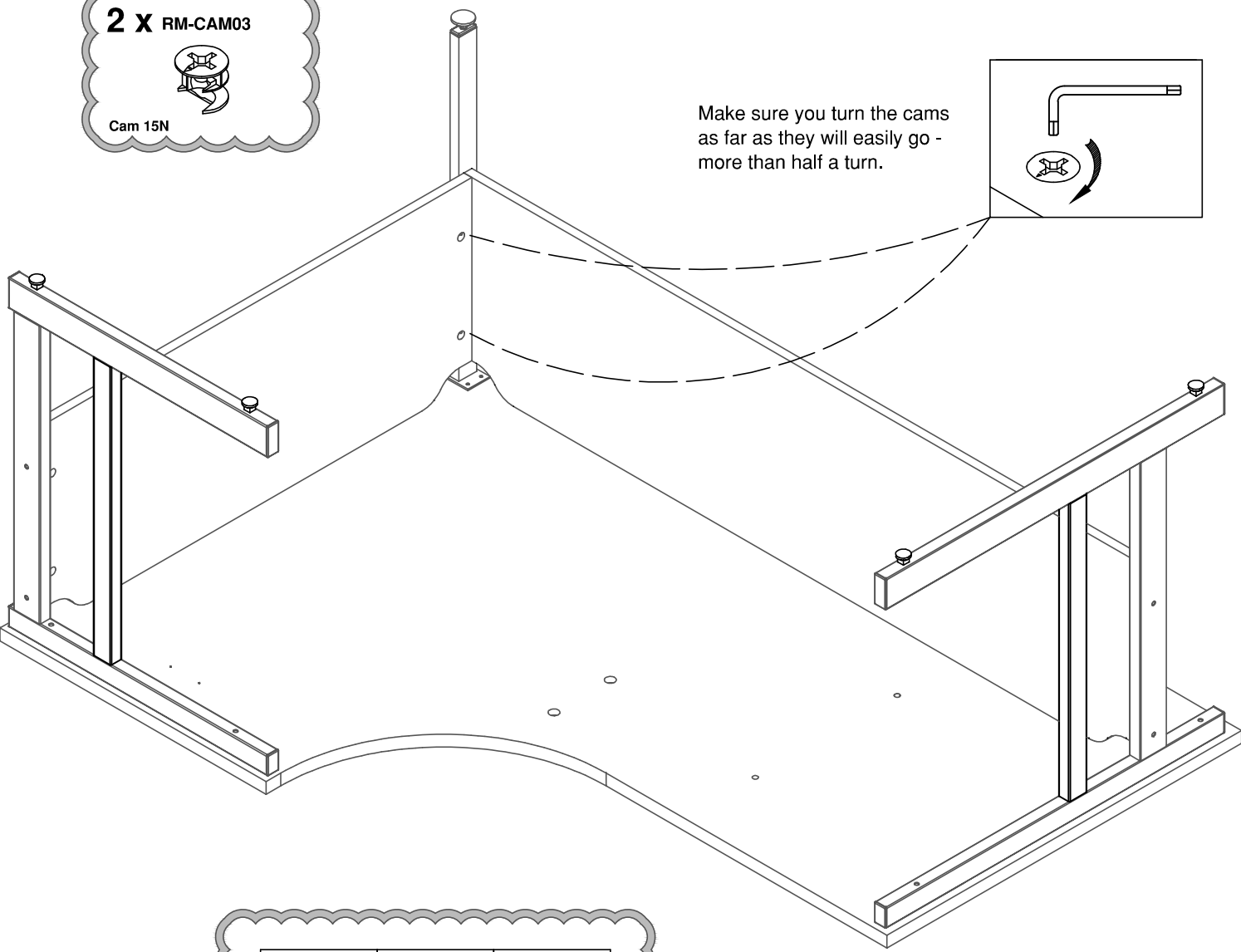
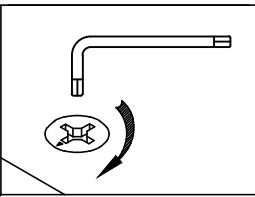





2 X RM-CAM03



Cam 15N

Make sure you turn the cams as far as they will easily go - more than half a turn.

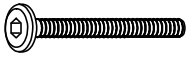


CAM			
		EDGE	EDGE

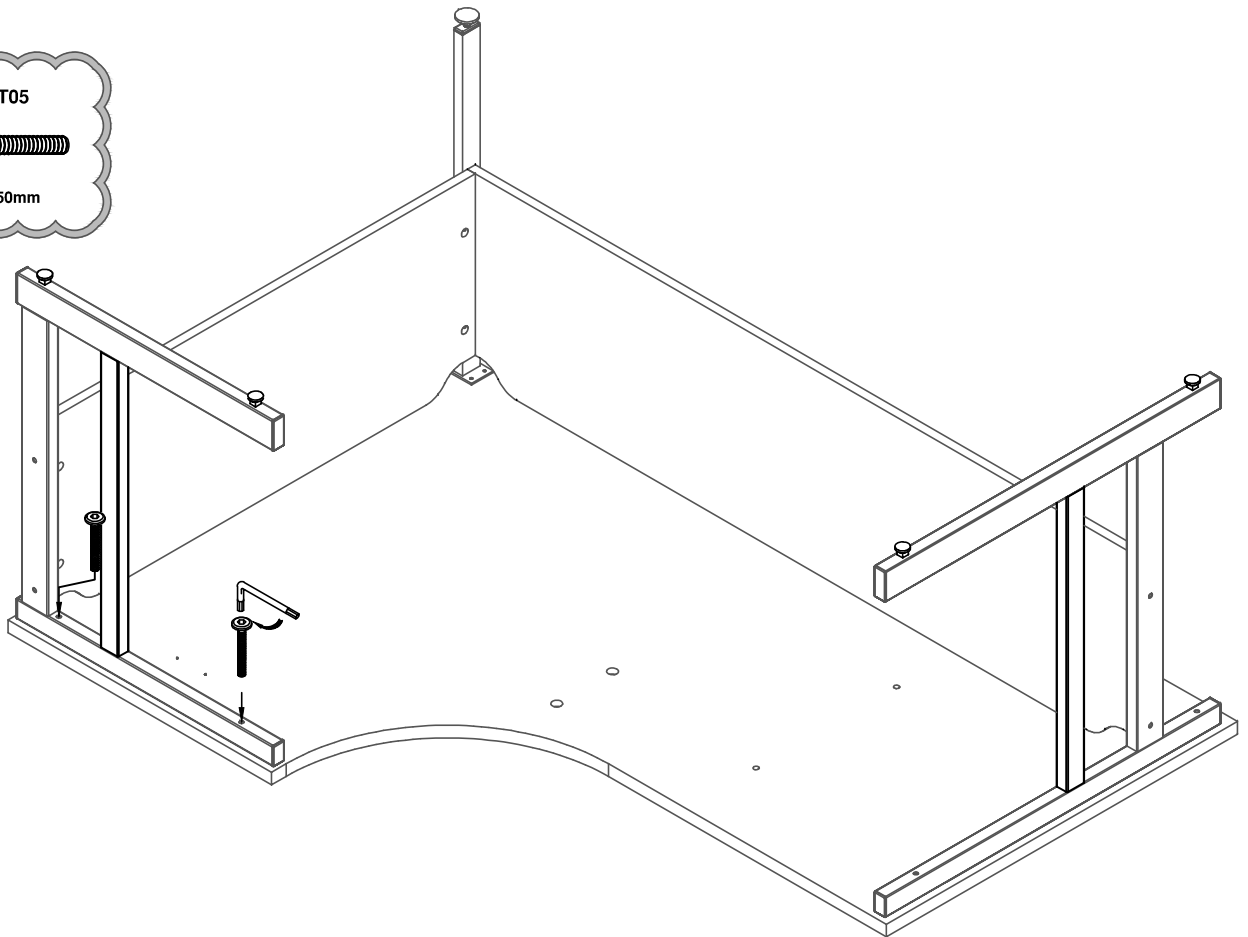
Insert the cam into the 'surface' hole with the arrow aimed at the adjacent edge which has the smaller hole.

11

2 X RM-BLT05



Connect Bolt M6x50mm

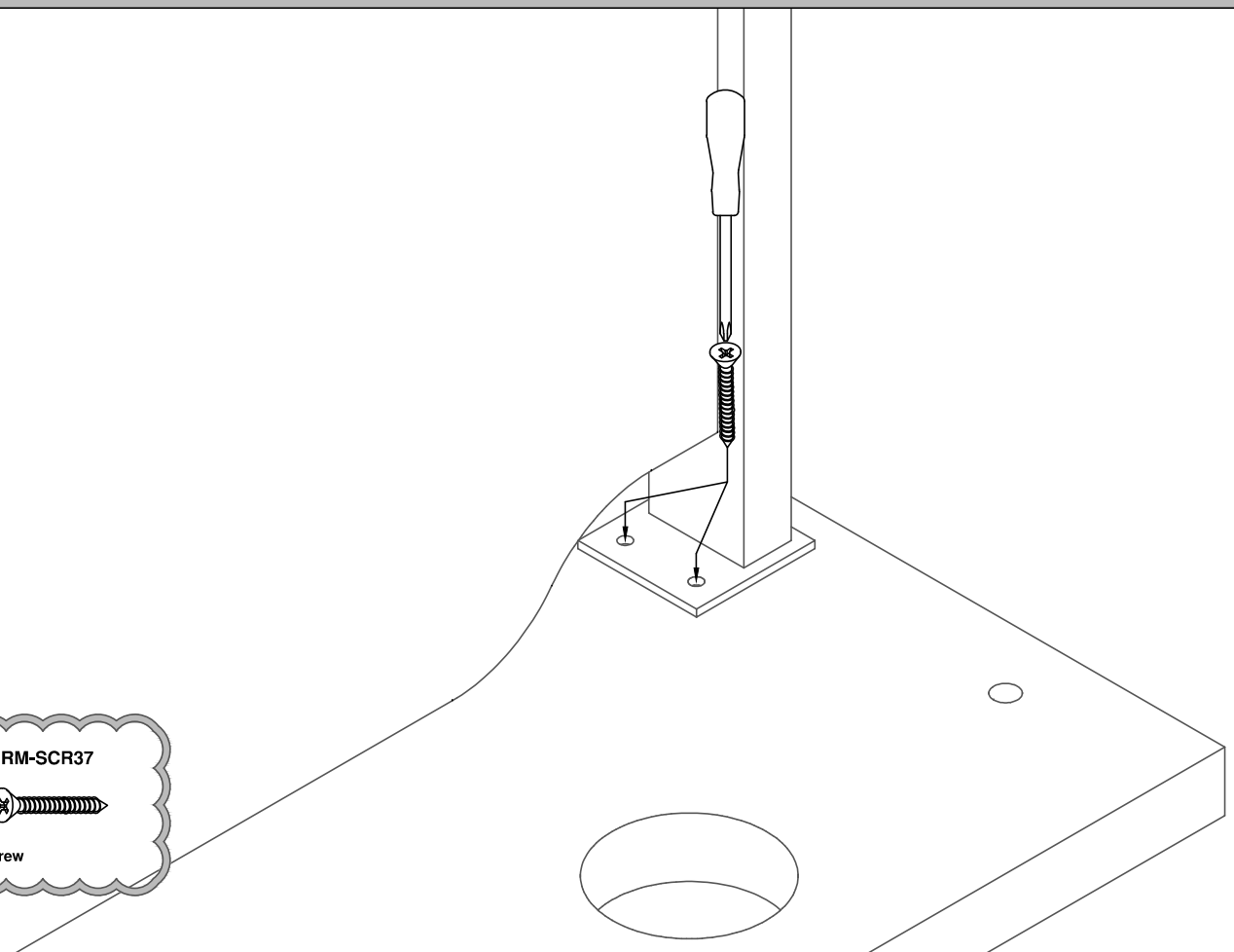


12

2 X RM-SCR37



3/4" x 7 Screw

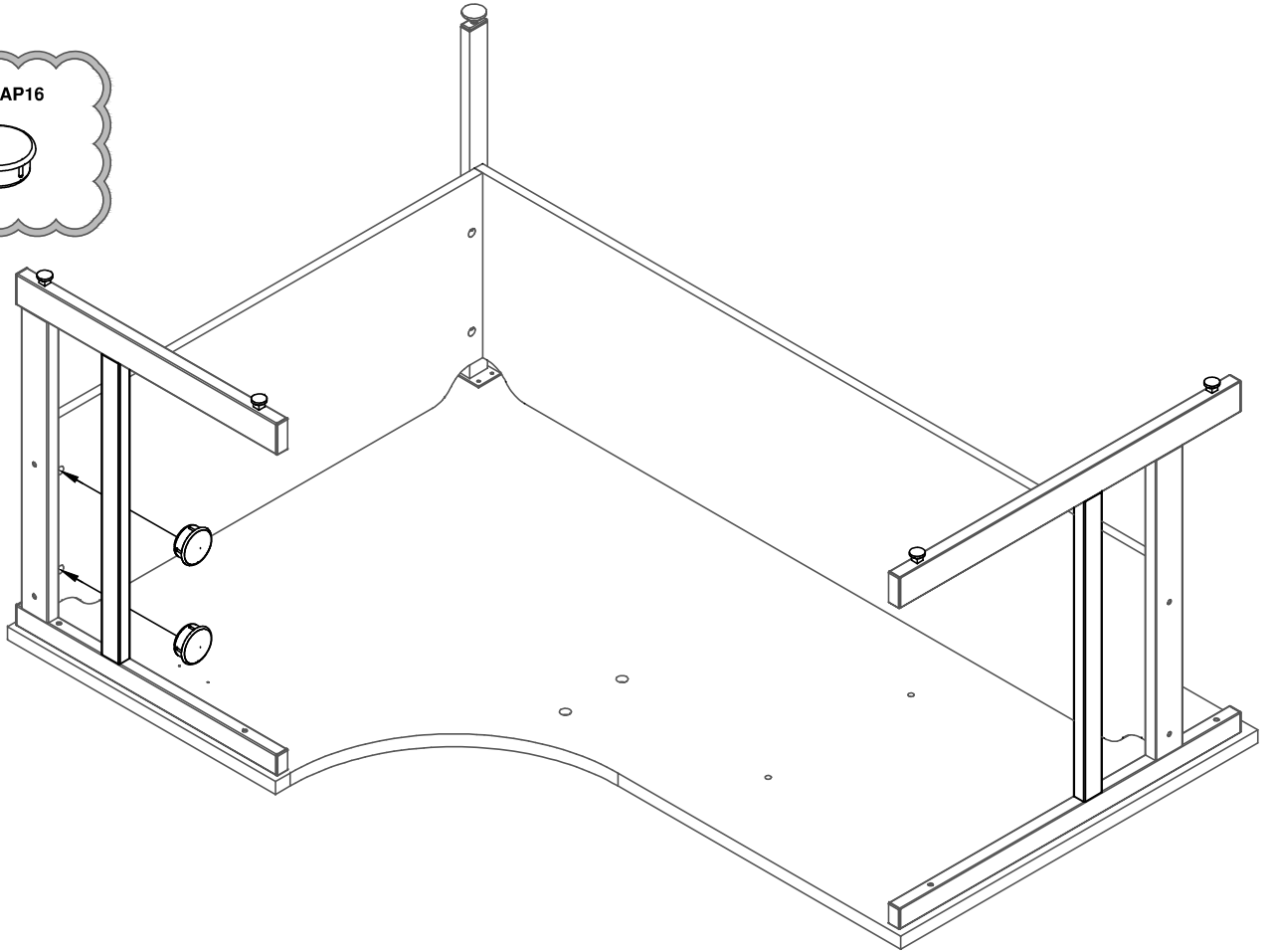


13

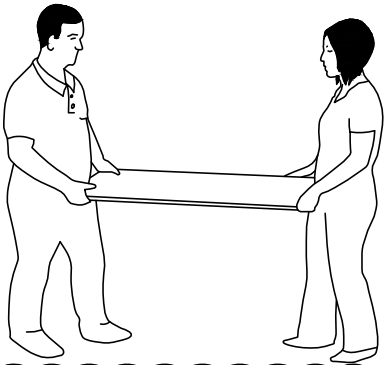
2 x RM-CAP16



15mm Cover Cap



14



2 Man Lift Required

