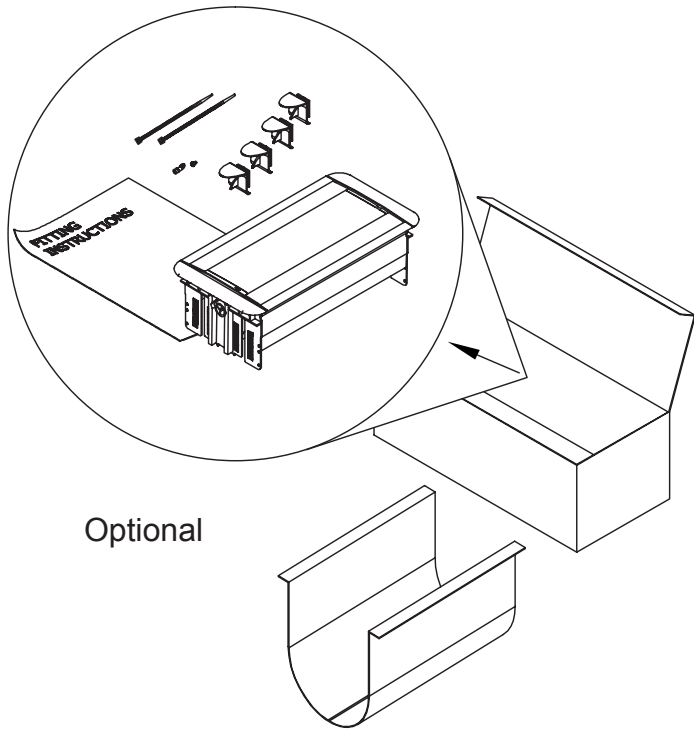


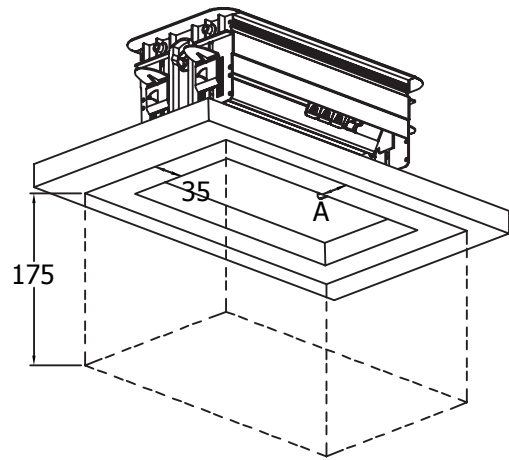
Contents





Optional

ECLIPSE

Underdesk clearance:



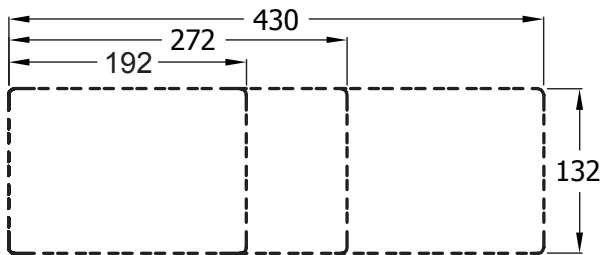
A = 35 mm 
 A = 60 mm 

Orientation
Workstation

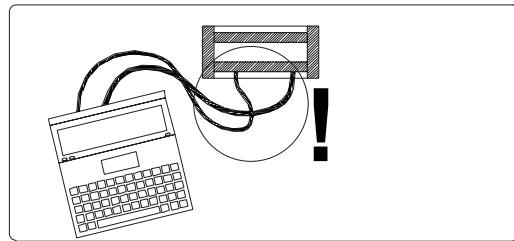
Consider cable exit direction when unit closed

Cutout Dimensions

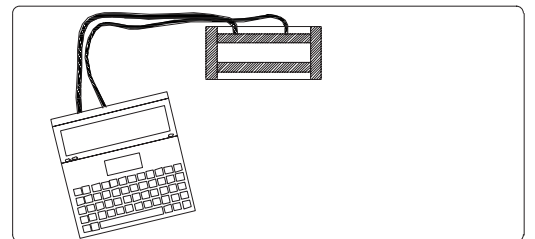
Three standard sizes



For non-standard sizes please call:

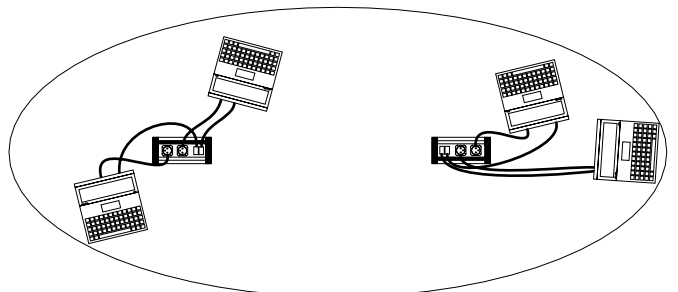


Or

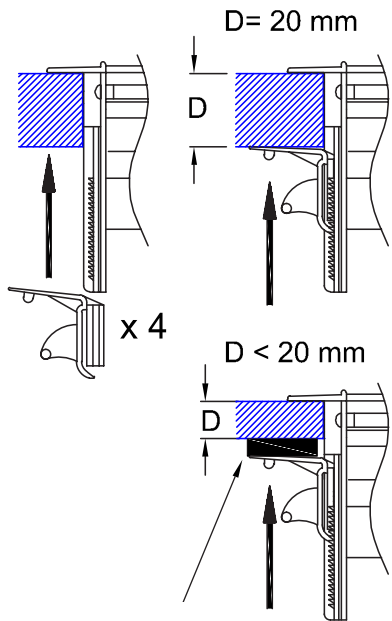


Conference

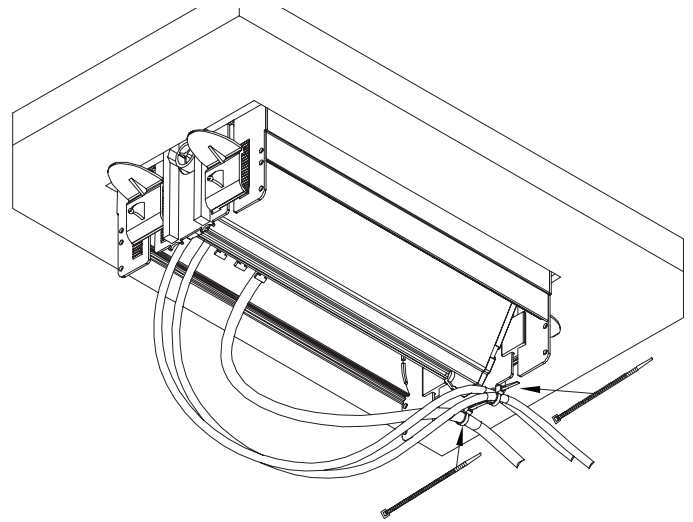
Unit can be accessed from both sides when open



Fixing

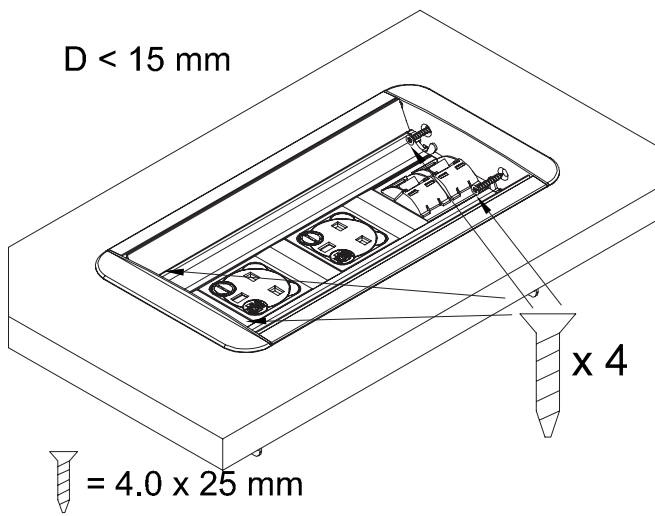


Ratchet spacer

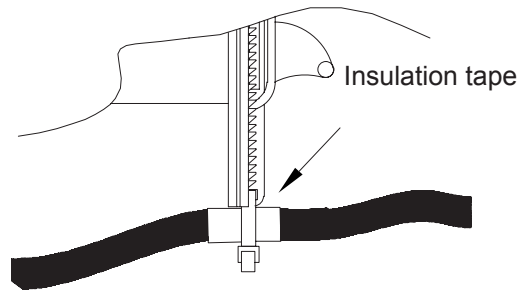
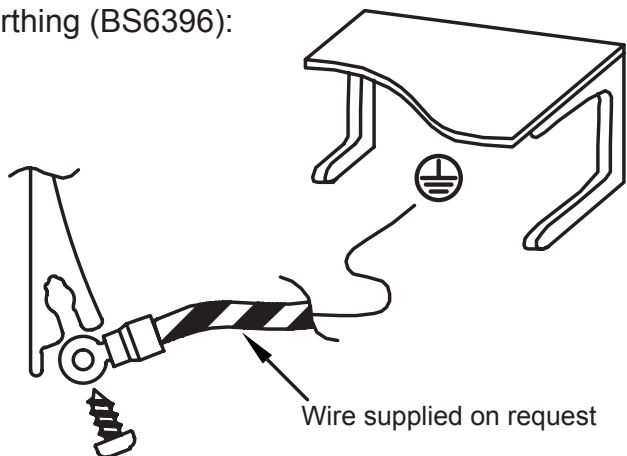


Grip cables at furthest end from data cable outlets

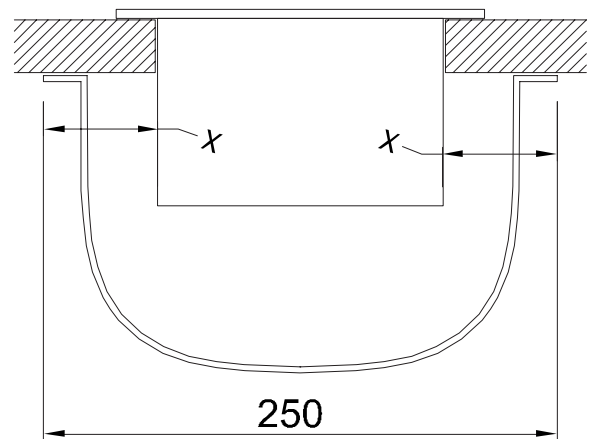
Or



Earthing (BS6396):



Optional cover:



X = 59 mm