



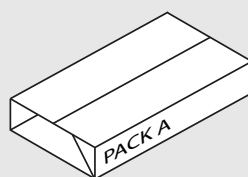
# Elev8<sup>2</sup> Mono - Single Desk

EVM-1200 | EVM-1400 | EVM-1600

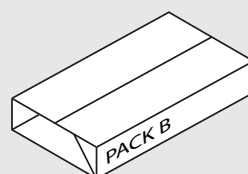


## ASSEMBLY INSTRUCTIONS

Elev8<sup>2</sup> Mono  
Single Desk

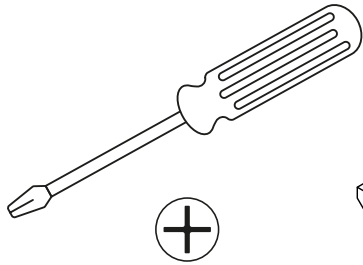


**Pack A:**  
1 x DESKTOP

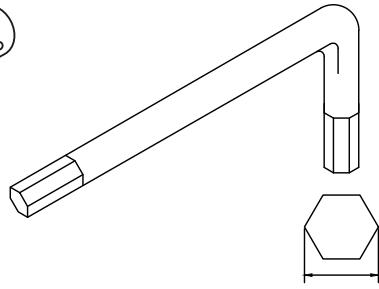


**Pack B:**  
1 x UNDER FRAME

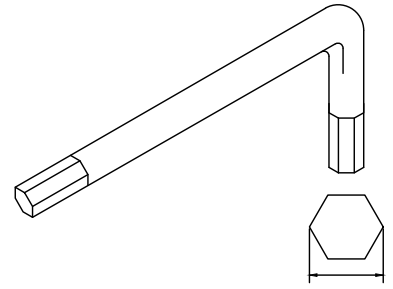
**TOOLS REQUIRED  
FOR ASSEMBLY**



1 x Pozi screwdriver

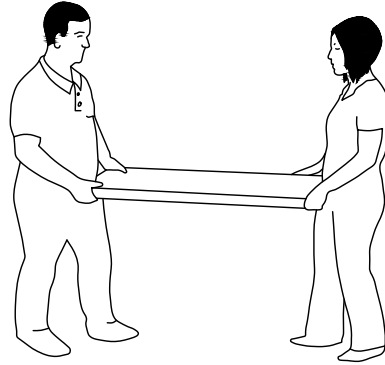
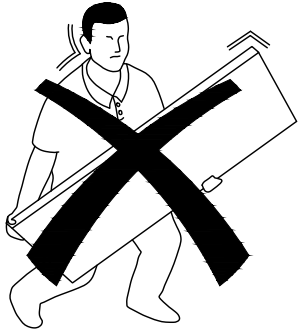


1 x 4mm Allen key

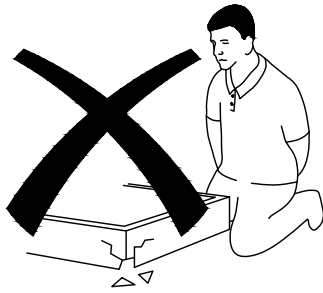


1 x 5mm Allen key

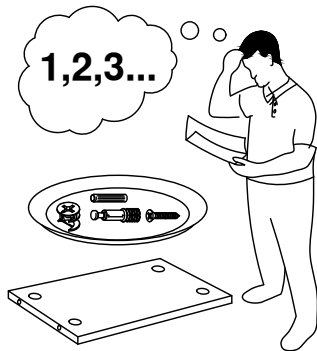
**DONT STRUGGLE  
2 MAN LIFT**



**ALWAYS HANDLE  
ITEMS WITH CARE**



**IF UNSURE CALL  
FOR ASSISTANCE**

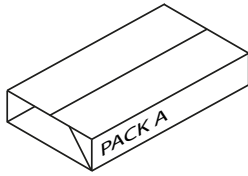


**KEEP FITTINGS AWAY  
FROM CHILDREN**



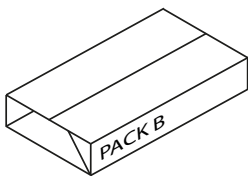


Please check that you have all the components



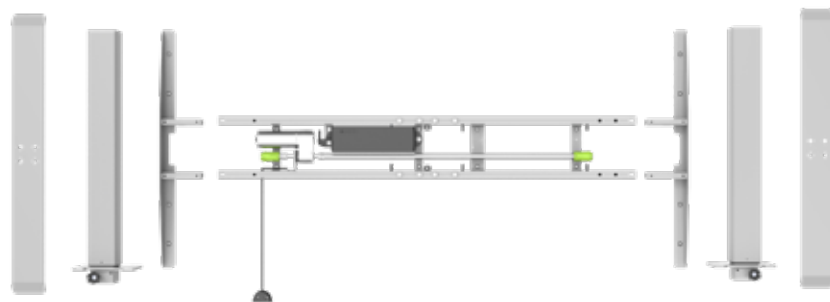
**PACK A:**  
1 x DESKTOP

1200mm = ED128T  
1400mm = ED148T  
1600mm = ED168T

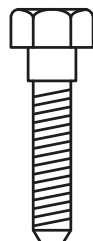


**PACK B:**  
1 x UNDER FRAME

Leg pack code = ST-T-S



**FITTINGS SUPPLIED**

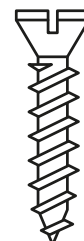


Size

**PCS**

M6 x 16mm  
M10 x 16mm  
M10 x 20mm

**8**  
**8**  
**8**



Size

**PCS**

Ø4 x 25mm  
Ø5 x 20mm

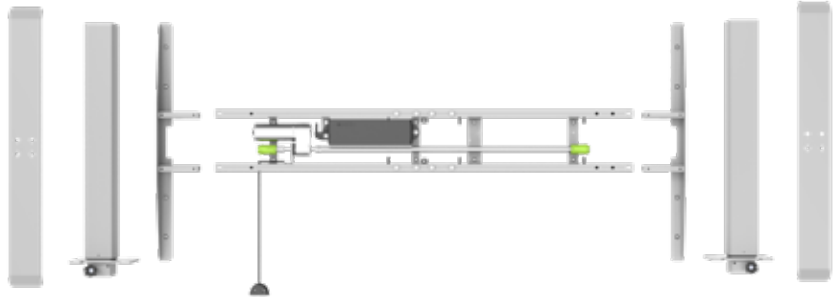
**2**  
**18**

# ELEV8<sup>2</sup> MONO SINGLE DESK ASSEMBLY

## 1

### Step 1

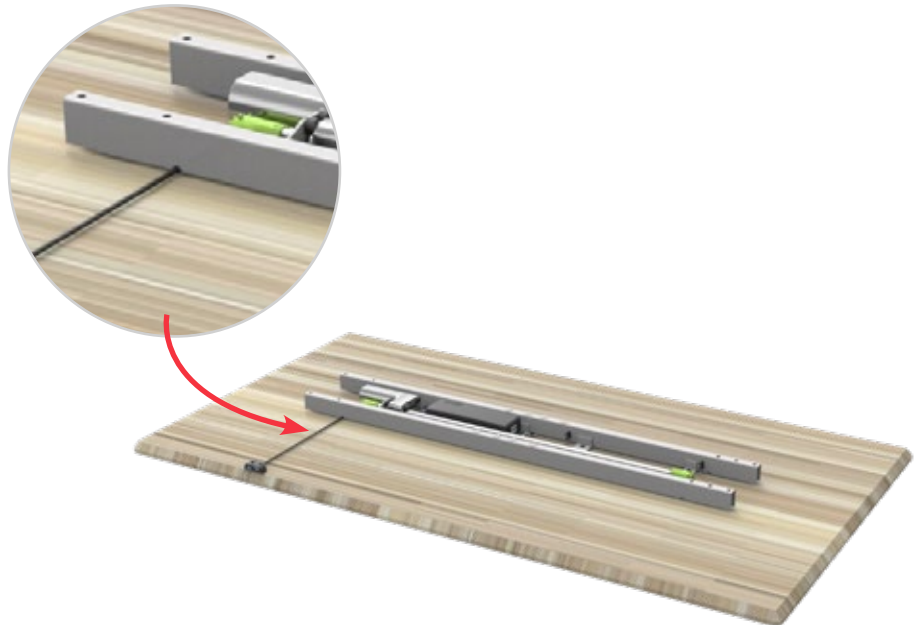
Unpack your new height adjustable desk frame and place on a flat surface.



## 2

### Step 2

Place the frame on the desktop and ensure that the desktop controller passes through the wire protector.



## 3

### Step 3

Extend the frame to the required length. There are pre-drilled holes in the desktop will help you gauge the length. Once at the desired length tighten the grub screws on the frame.



# 4

## **Step 4**

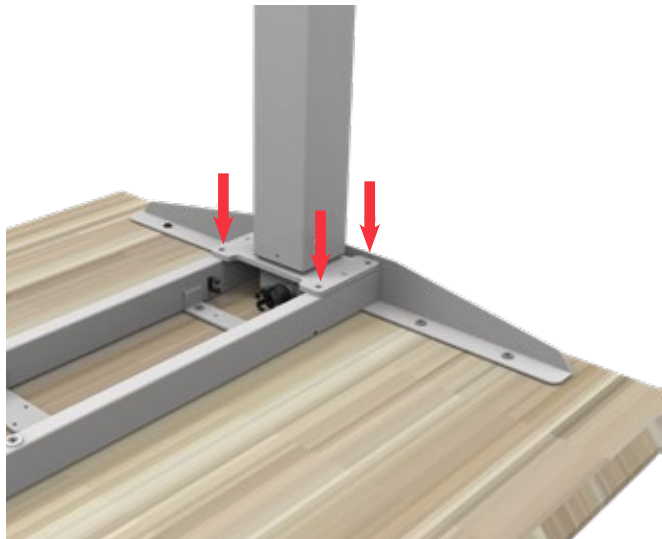
Insert the end rails into the desktop frame cross section.



# 5

## **Step 5**

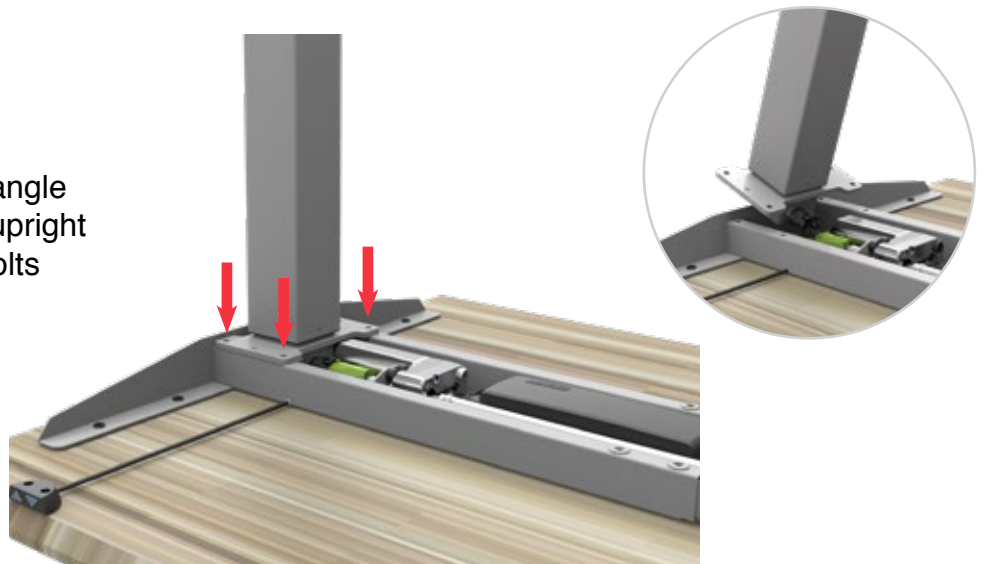
Insert the right leg into the frame and use 4 of the bolts supplied to fix into place.



# 6

## **Step 6**

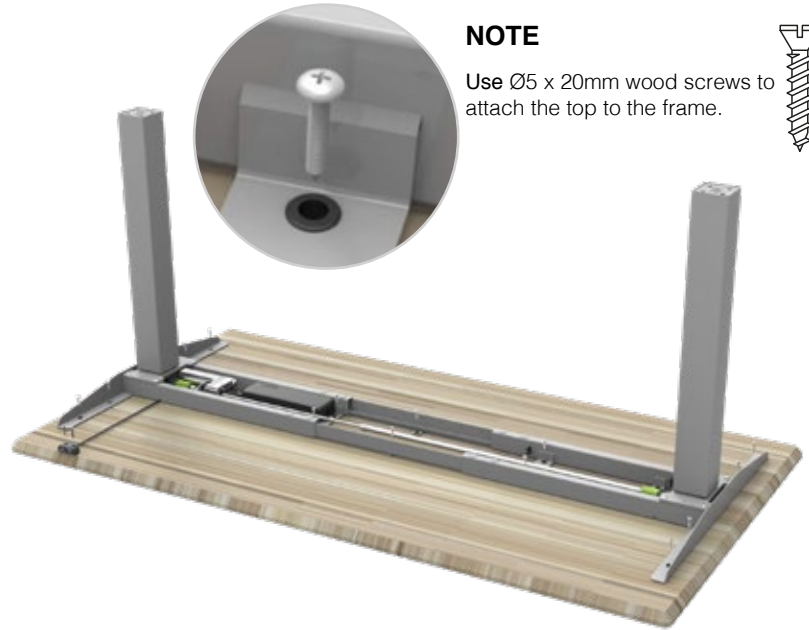
Insert the left leg at a 45° angle before fixing the leg in its upright position with the other 4 bolts provided.



# 7

## Step 7

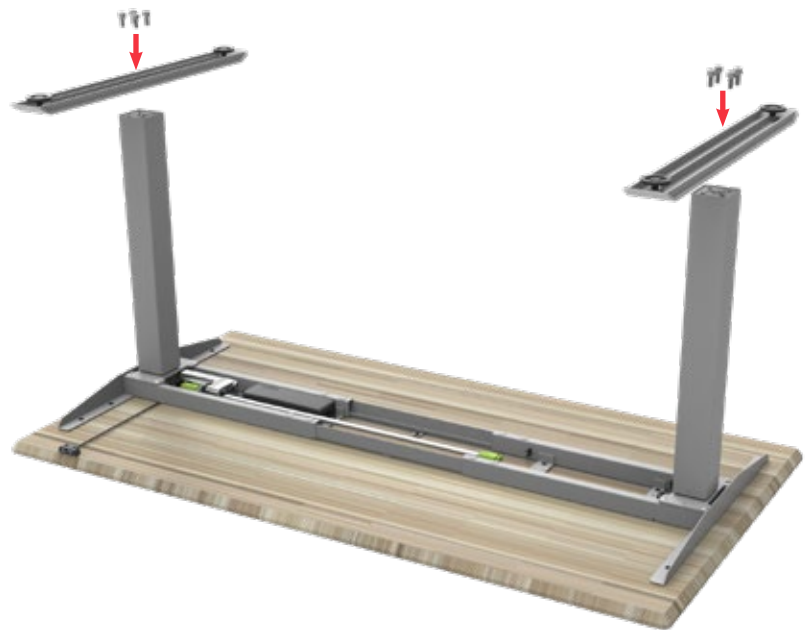
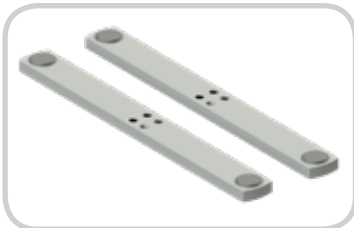
Align the holes in the desktop end rails with the pre-drilled holes on the underside of the desktop. Use the wood screws supplied to attach the top to the frame, if you are using a cordless/power driver make sure it is on a low torque setting.



# 8

## Step 8

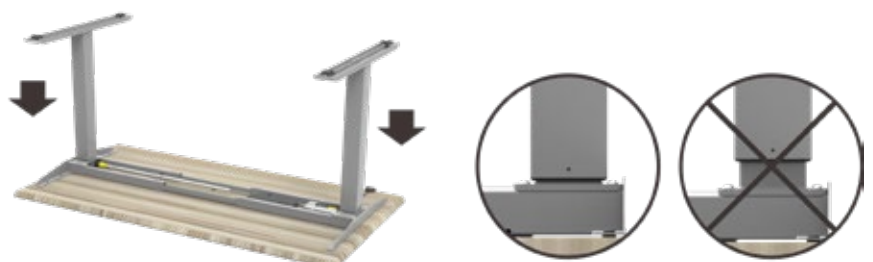
Attach both feet to the legs using the bolts provided.



# 9

## Step 9

Make sure that both legs are at their lowest point so that the desk is level when it is rotated to its upright position.



# 10

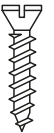
## Step 10

Attach the desktop controller to the underside of the desktop using the wood screws provided. If you are using a cordless/power driver make sure it is on a low torque setting. There are pre-drilled holes



### NOTE

Use  $\varnothing 4 \times 25\text{mm}$  wood screws to attach the controller to the top.

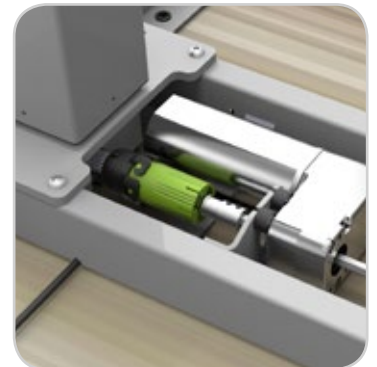
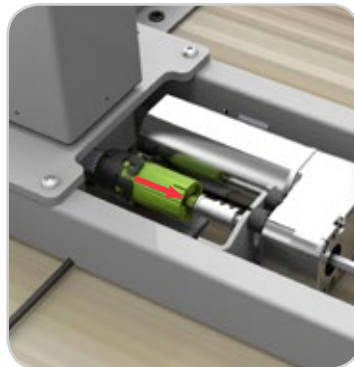
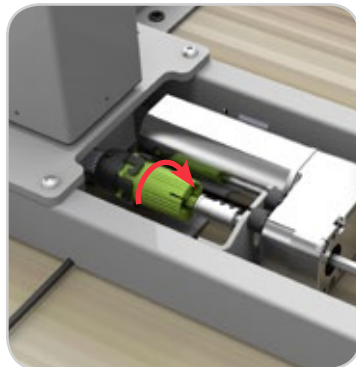
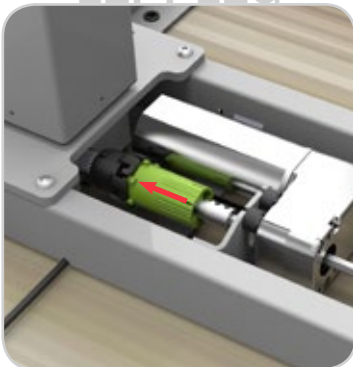


# 11

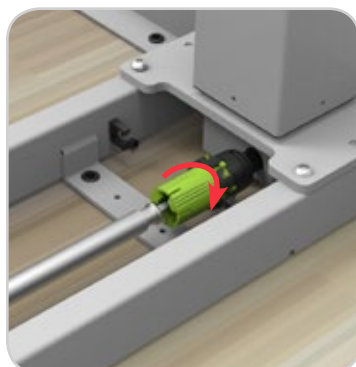
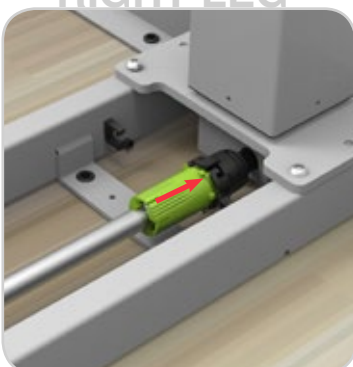
## Step 11

It is now time to attach both of the legs to the motor. Follow the steps shown to secure the shaft from the motor to the bayonet fixing on each leg.

### LEFT LEG



### RIGHT LEG



# 12



## **Step 12**

It is now time to lift the desk over into its upright position. This is a **2 person lift**, do not attempt to do this without assistance as this could result in injury or damage to the product.

# 13

## **Step 13**

Your desk is now ready to be connected to the mains outlet.  
Before you proceed with operating your new desk it is recommended that you perform a full reset of the controller to calibrate the height of each leg.

This can be done using the following steps;

- Press button down for 3 seconds.
- Continue pressing the button until both columns are in lowest position.
- Keep pressing the button until control box makes 1 beep.
- When control box makes 1 beep, it is confirmed that reset has been completed and button can be released.
- Now the desk is operational.
- If the desk is disconnected by accidently pulling out the plugs at the control box, motors, handset, main power source
- or system status reach overload, overheat etc. then the desk must be reset.
- If the desk is powered off intentionally at the main power switch, then the desk does not need to be reset.

## **Operating the desk**

Press the button, to operate the desk for upwards running.  
Press the button, to operate the desk for downwards running.