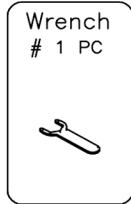
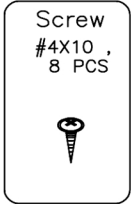
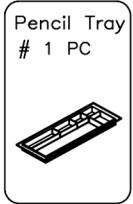
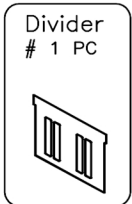
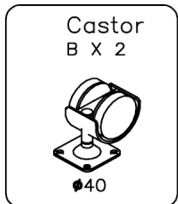
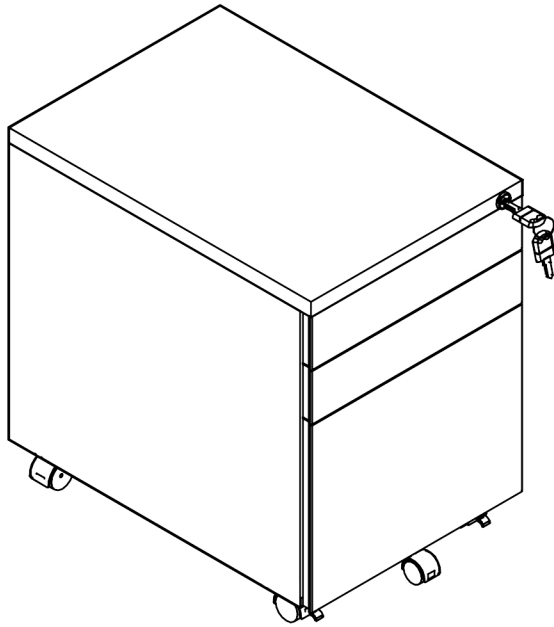


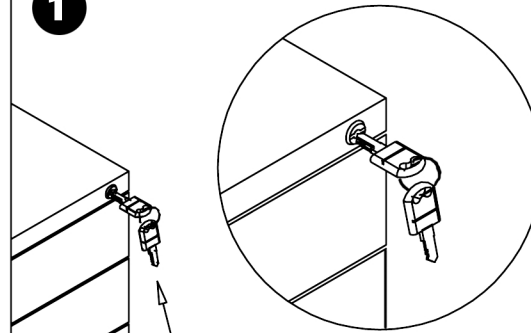
ASSEMBLY INSTRUCTIONS

Additional tools required :
1x cross-head screwdriver



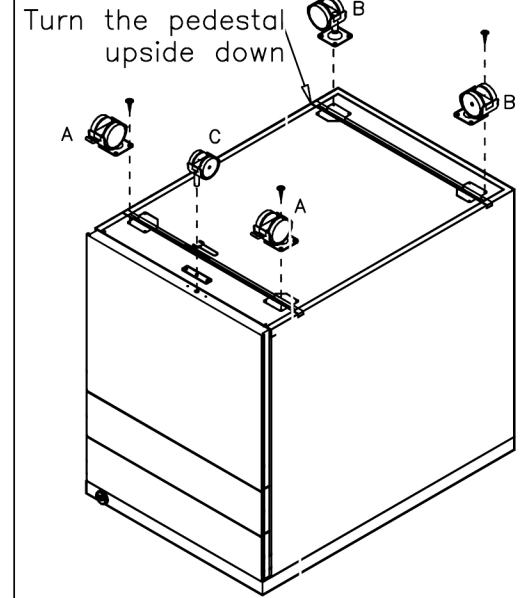
dams  **MP3**

1



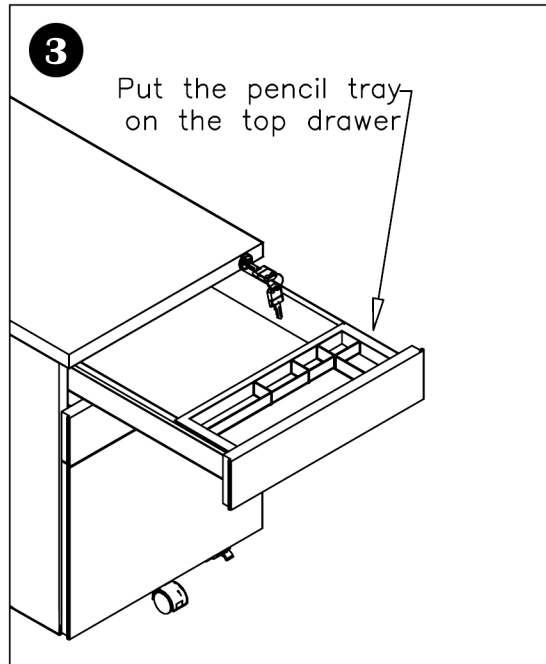
Push in the key
Turn the key right
to open the drawer

2



3

Put the pencil tray
on the top drawer



4

Put the divider
into file drawer

