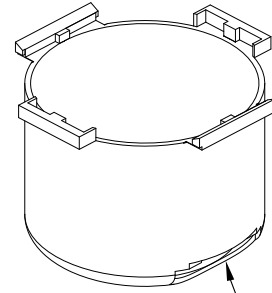
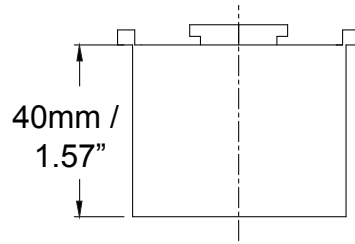
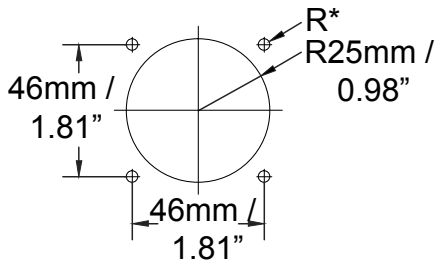


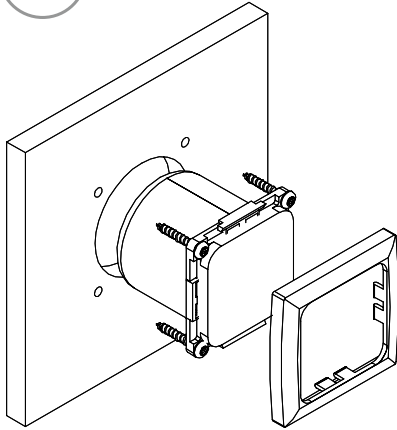
## Screw Fix Single Gang Cutout



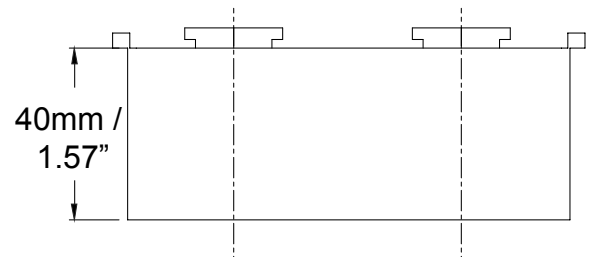
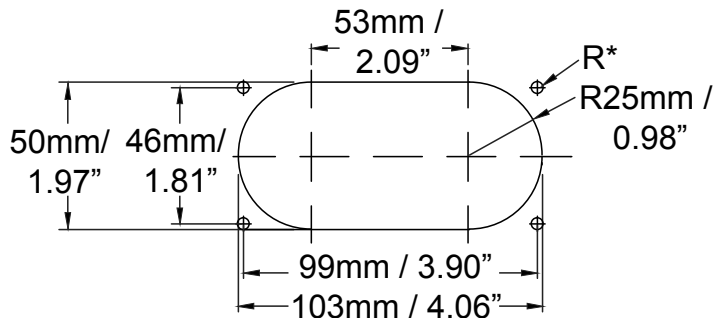
cable outlet position

\*Use appropriate depending on material

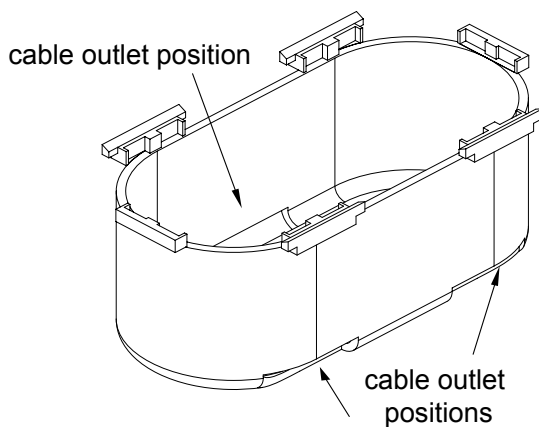
1 Align PROTON with cutout, secure in place with 4 x screws and clip fascia onto to socket



## Double Gang Cutout



\*Use appropriate depending on material



1 Align PROTON with cutout, snap into place and clip fascia onto to socket

