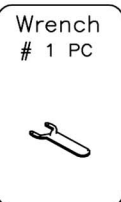
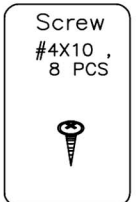
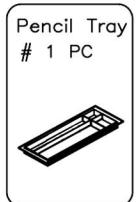
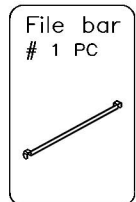
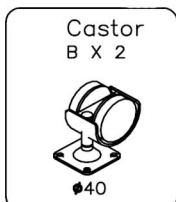
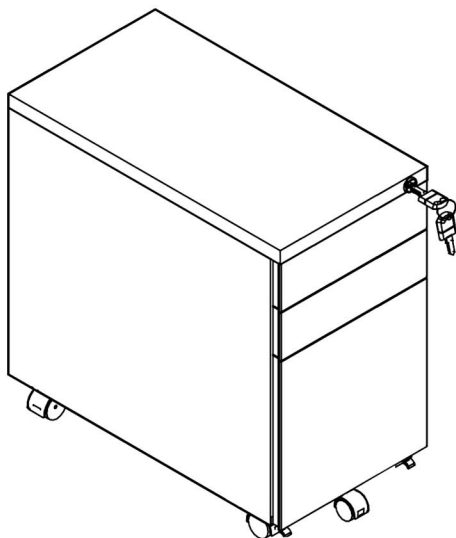


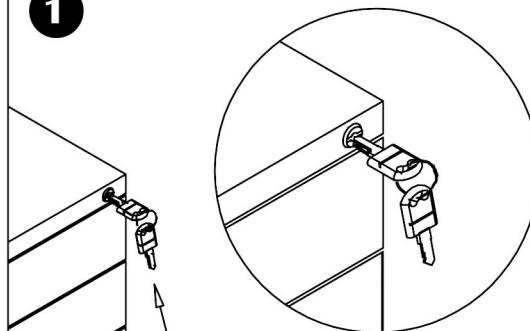
ASSEMBLY INSTRUCTIONS

Additional tools required :
1x cross-head screwdriver



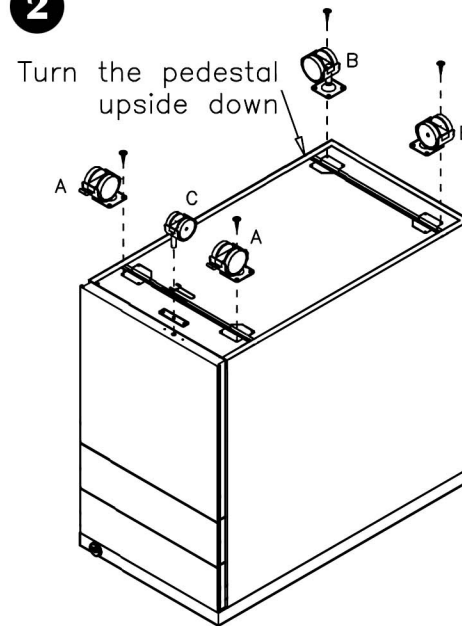
dams  **MPN3**

1

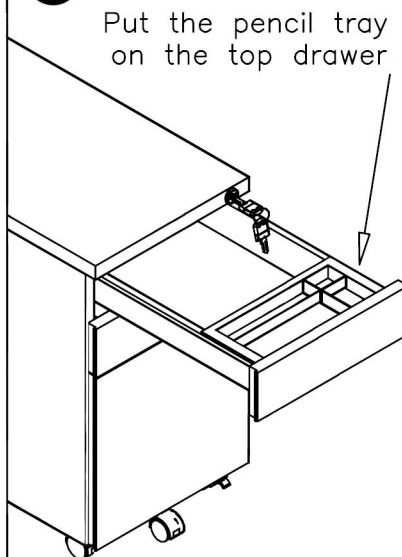


Push in the key
Turn the key right
to open the drawer

2



3



4

