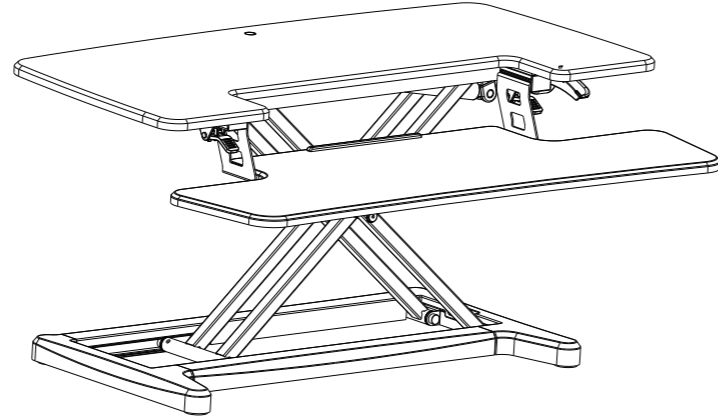
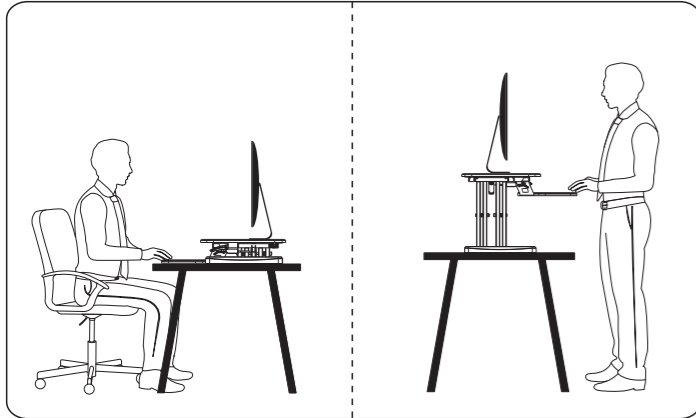
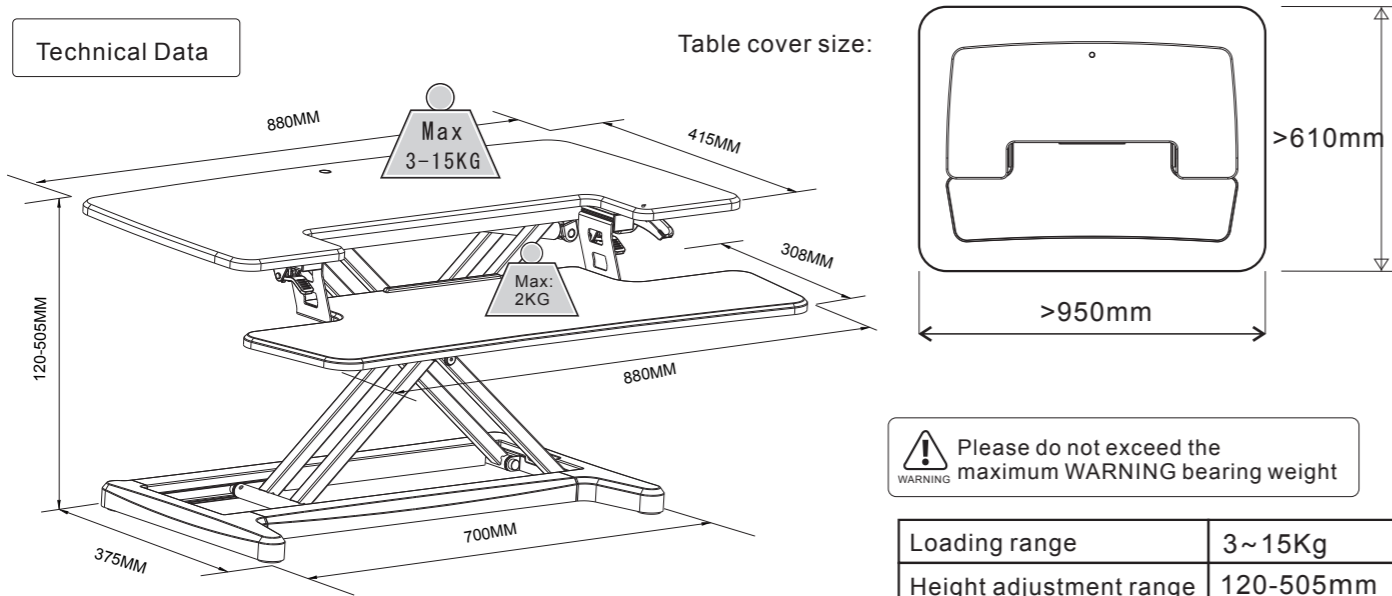


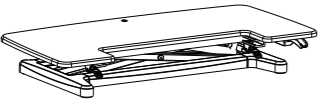
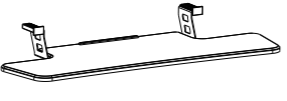

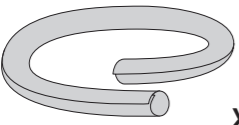
**Item No.: SHAW-K**  
Installation guide



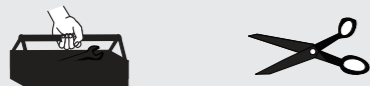
**Technical Data**



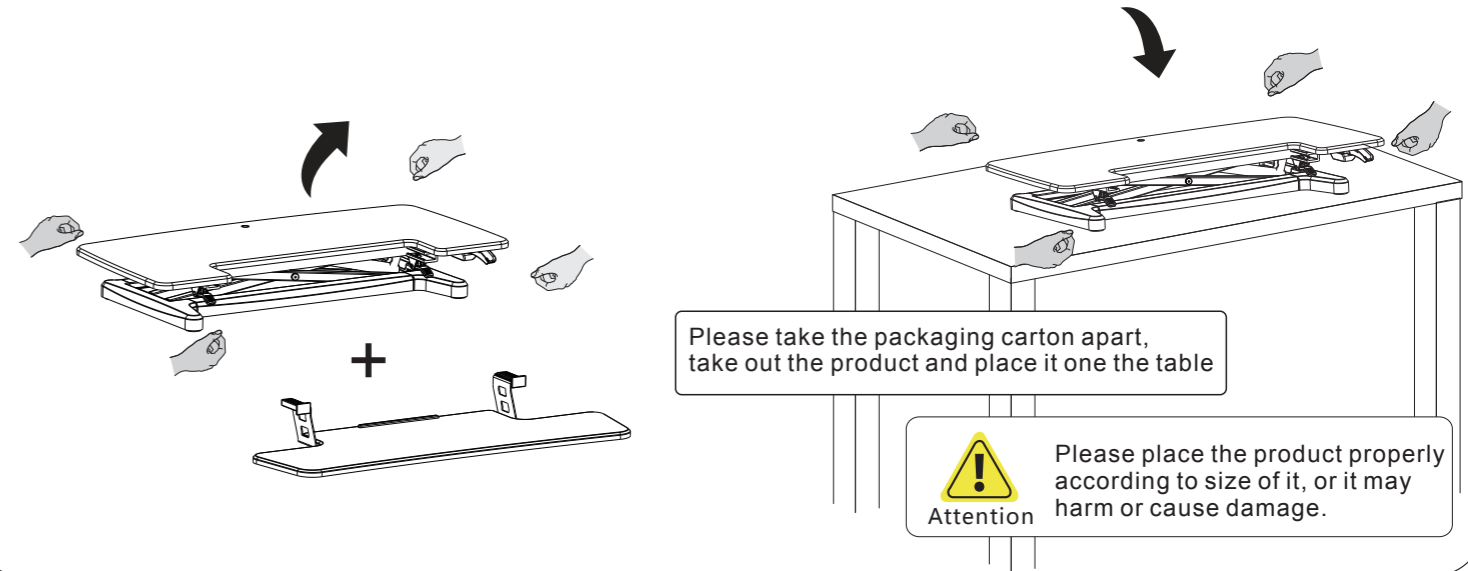
**Accessory Package List**

No.	Spare part	No.	Spare part	No.	Spare part
A	 x1	B	 x1	C	 x4
No.	Spare part				
D	 x1				

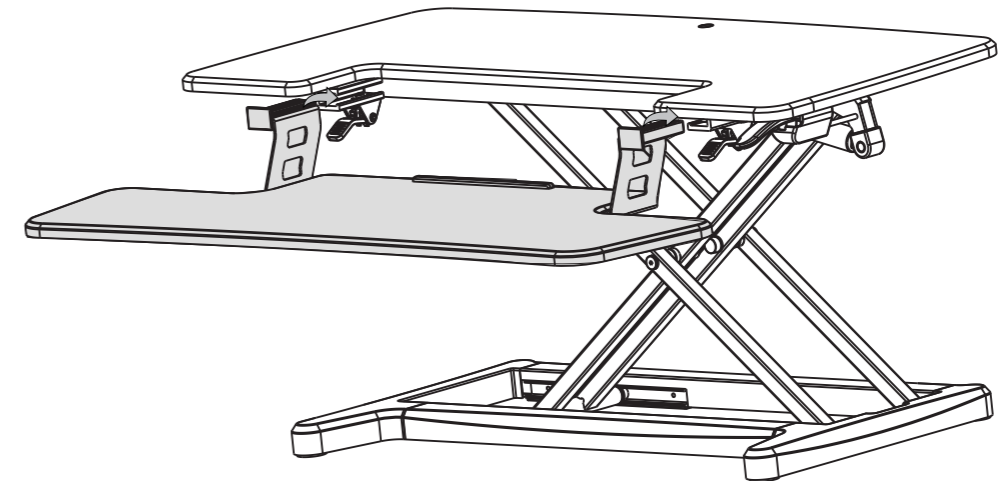
TOOLS



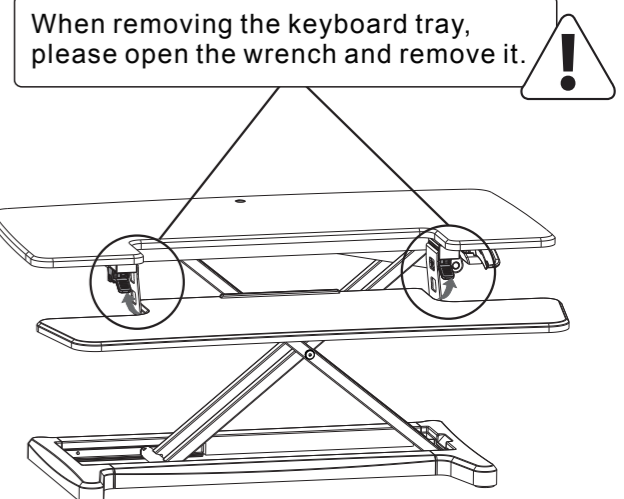
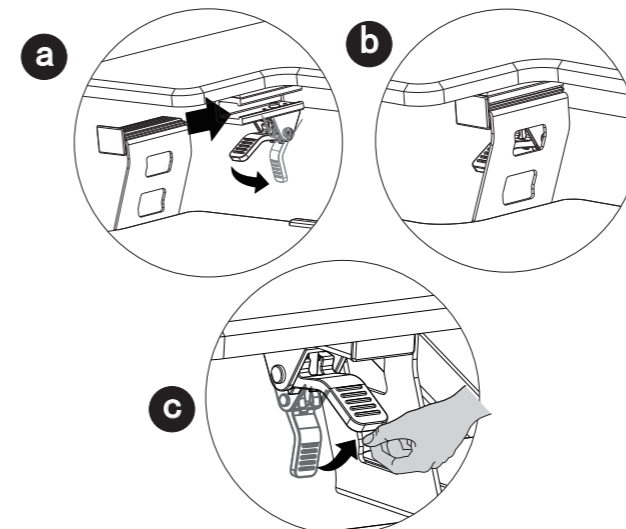
**ASSEMBLY STEP 1**



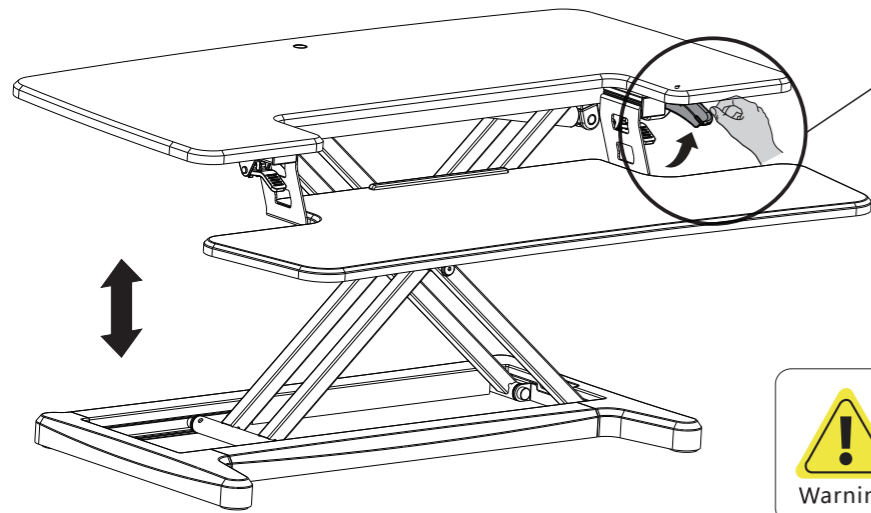
**ASSEMBLY STEP 2**



Push the keyboard tray connector into the slot and lock it



### ASSEMBLY STEP 3

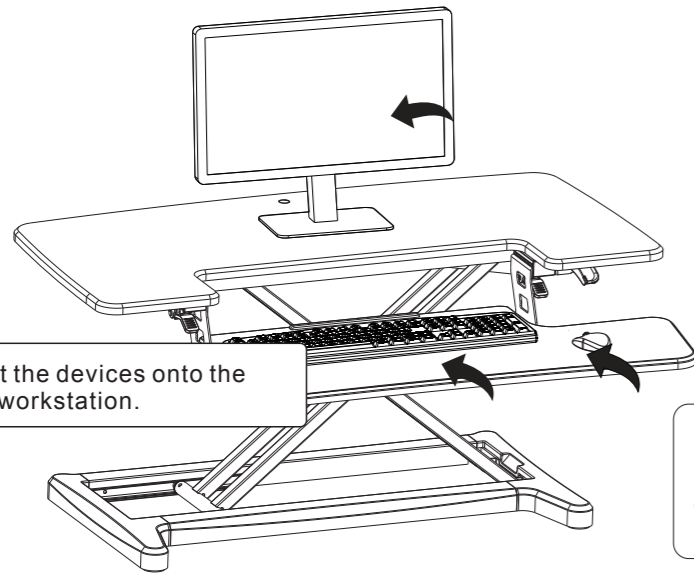


Based on the actual usage, press the handle on one side, and adjust the workstation to the proper height

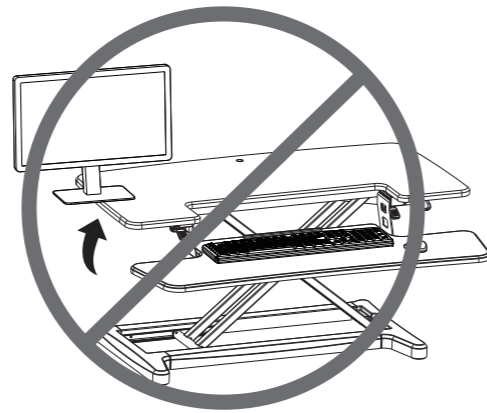


Please do not put hands near the supporting bars, as they change during adjusting and may hurt you.

### ASSEMBLY STEP 4

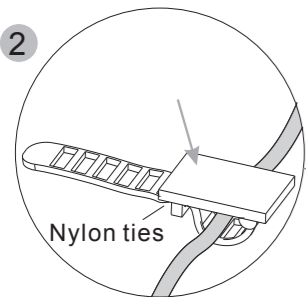


Please put the devices onto the top of the workstation.



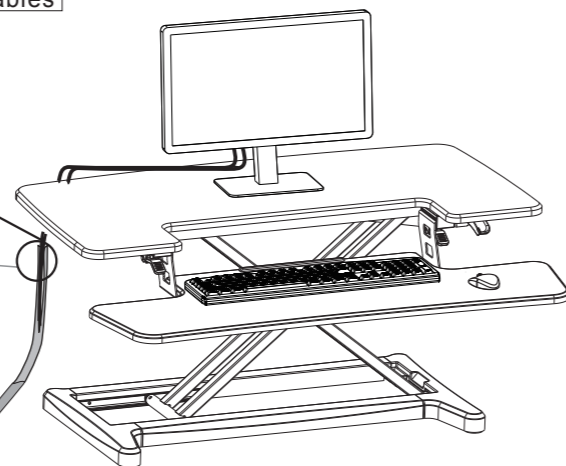
Please make sure all installed equipments are on the table, and not sticking out of the edge, or it may harm or cause damage.

### ASSEMBLY STEP 5



1 Use the cable management to guide and bundle the cables

Cable



Careful

Adhesive buckle helps to make the cables tidy and clean. Please leave enough length of cable for height adjustment function, otherwise it may cause unexpected lost.

### WARNING

**Hands Pinching**  
Do not place your hand near the strut. Strut's angle will change during the desktop lifts and it may hurt you.



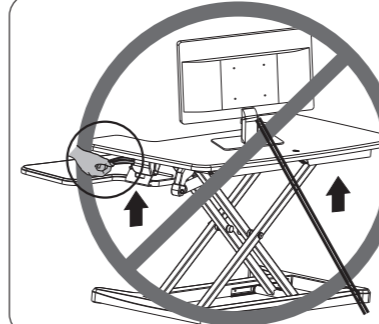
Warning

Please do not put hands near the supporting bars, as they change during adjusting and may hurt you.



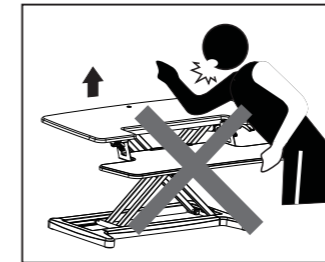
Attention

Please make sure all installed equipments are on the table, and not sticking out of the edge, or it may harm or cause damage.



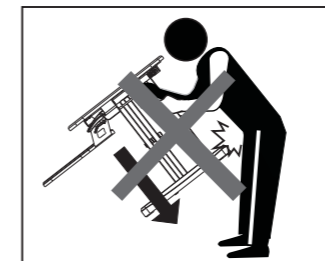
Attention

Please leave enough length of cable for height adjustment function, otherwise it may cause unexpected lost.



Attention

Please first adjust it to the highest, then remove equipment to avoid harm or damage.



Attention

Please move it by two persons, or parts may collide and cause damage.

\*Should you require any assistance in assembling your goods please contact customer services on 0151 548 7111 between 9am/4:30pm.