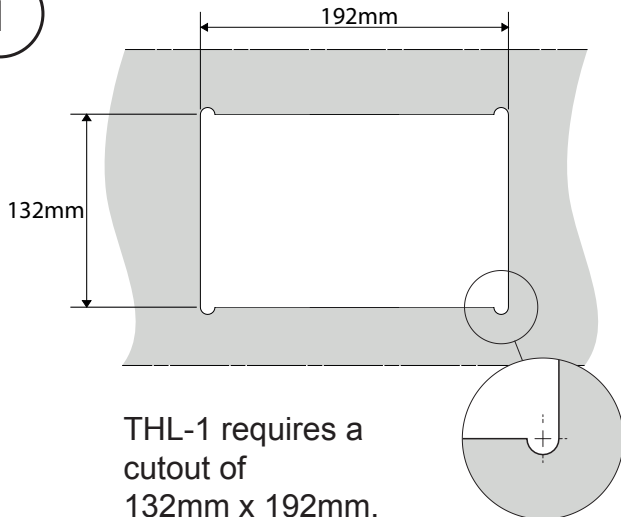
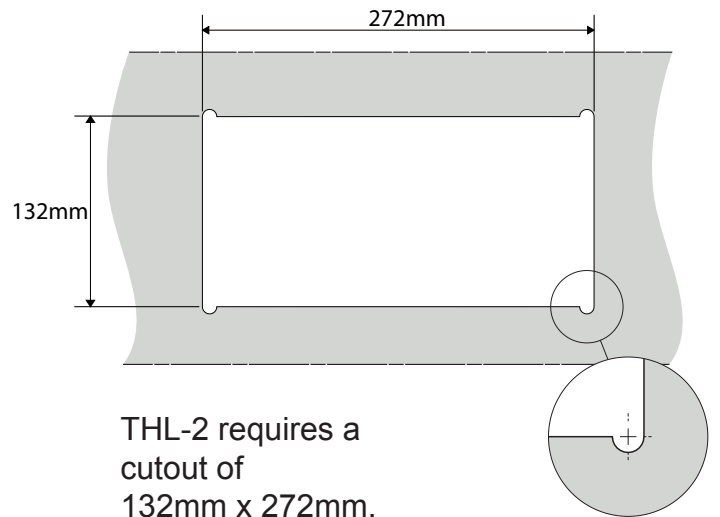


1



THL-1 requires a cutout of 132mm x 192mm, and is suitable for desk surfaces 8mm - 30mm thick.

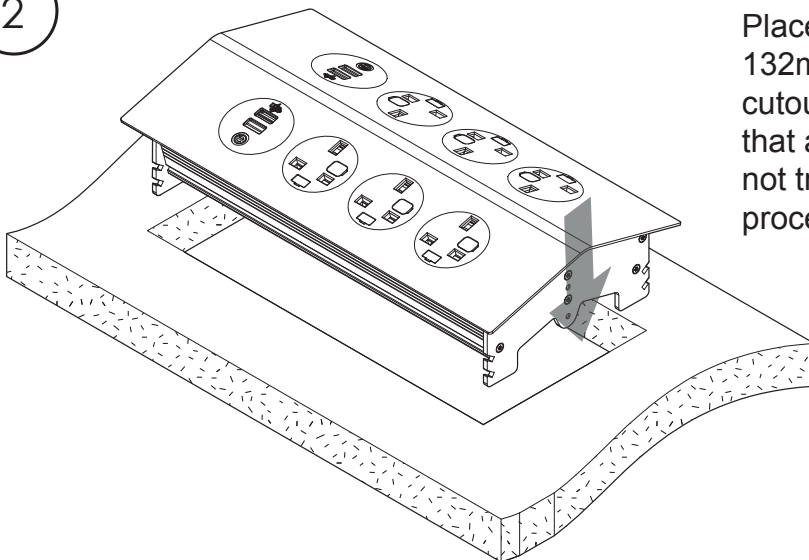
R.5mm  
TYP



THL-2 requires a cutout of 132mm x 272mm, and is suitable for desk surfaces 8mm - 30mm thick.

R.5mm  
TYP

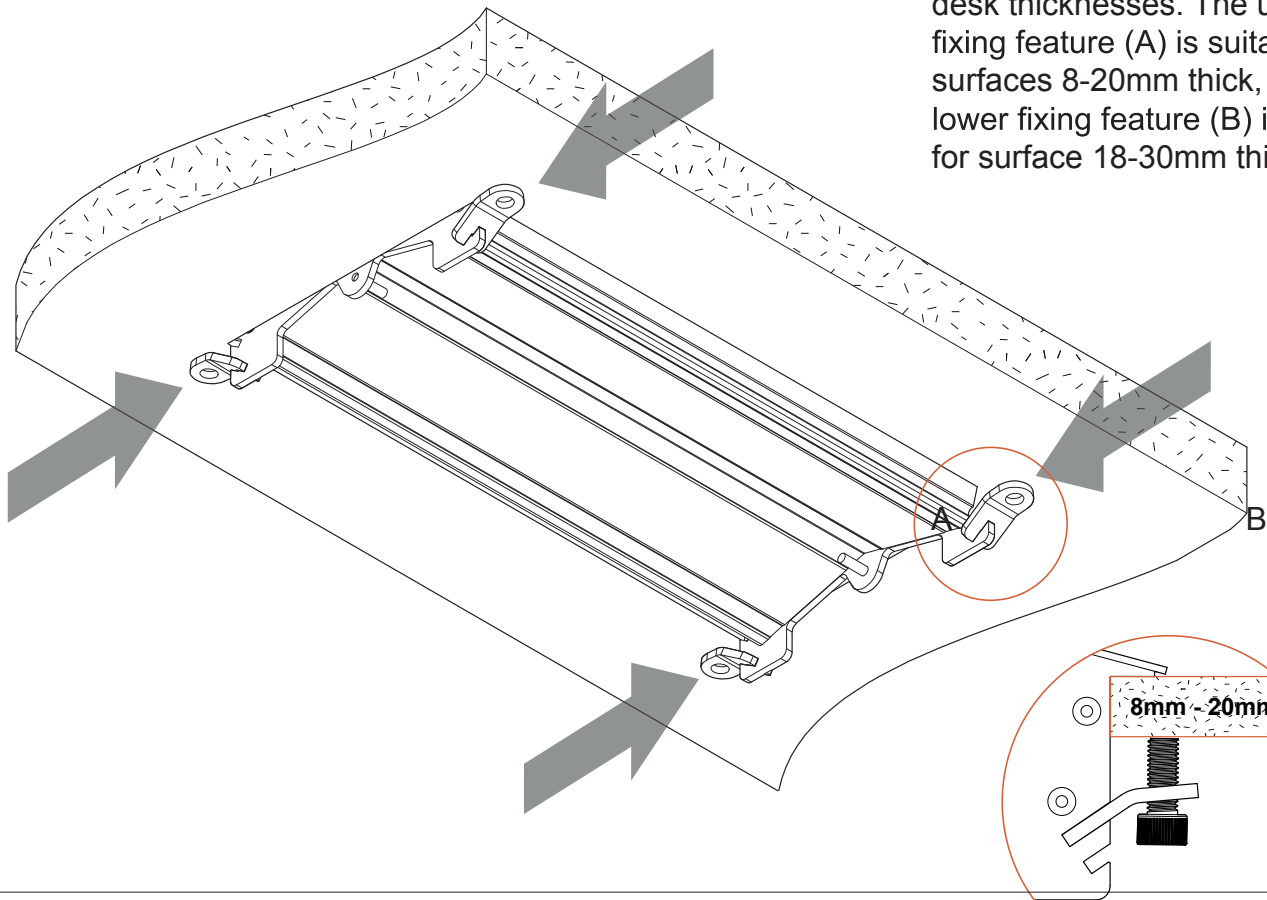
2



Place THOLUS into the 132mm x 272mm cutout ensuring that any cables are not trapped in the process.

3

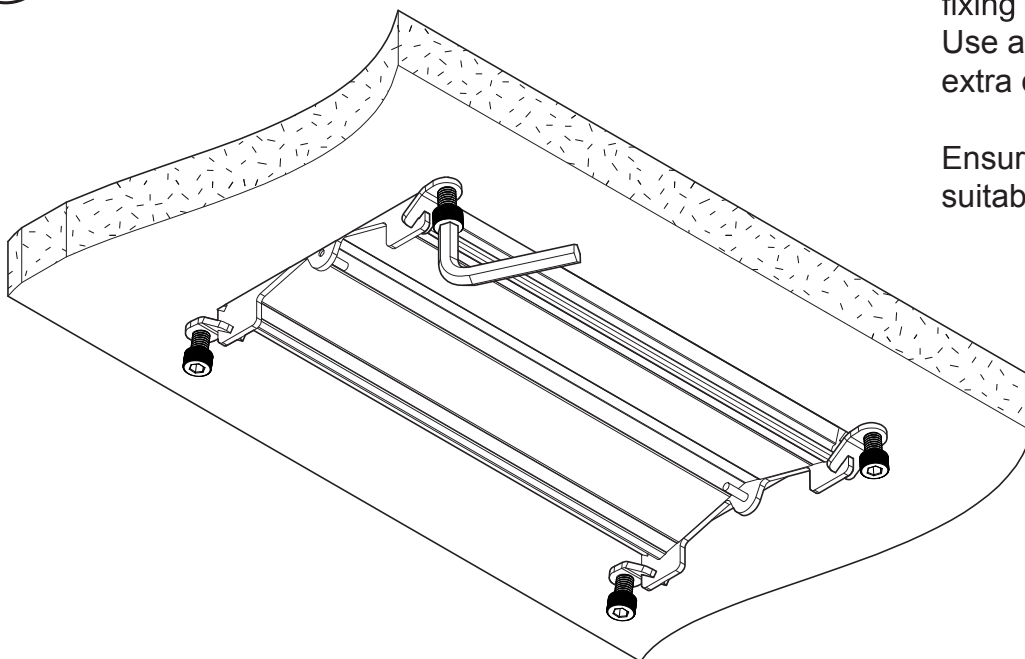
Insert the fixing mounts into the slots on the unit. There are two slots to accommodate varying desk thicknesses. The upper fixing feature (A) is suitable for surfaces 8-20mm thick, and the lower fixing feature (B) is suitable for surface 18-30mm thick.



4

Screw the provided M8 x 20mm cap head fixing bolts through the fixing mounts until finger-tight. Use an allen key to tighten one extra quarter turn.

Ensure that your cables are suitably cable managed.



**CAUTION** Do not overtighten fixing bolts as table-top and/or THOLUS unit may be damaged.