

## TAMBOUR CUPBOARDS / DOUBLE DOOR CUPBOARDS

Start the assembly of this product by familiarising yourself with each component and this instruction sheet, this will make assembly easier.  
Once all parts have been identified, follow the instructions carefully and do not proceed until each step has been completed.

**HT**                      **TAT**                      **TM**                      **LT**

### Z20T / Z16T / Z12T / Z8T - TAMBOURS

**SHUTTERS x2**

### Z8S / Z12S / Z16S / Z20S - STEEL SKINS

**STEEL SKINS x2**

**TAMBOUR FILLETS x2**

**TAMBOUR TRACKS x4**

### HT / TAT / TM / LT - CABINET PACKS

**LH SIDE x1**                      **RH SIDE x1**                      **BACK x2**

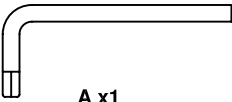


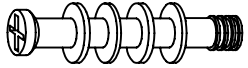
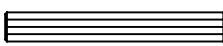


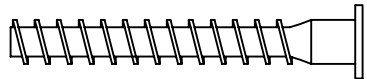
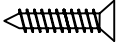

**TOP PLINTH x1**

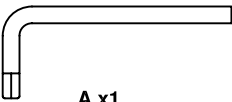


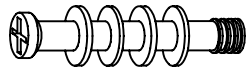


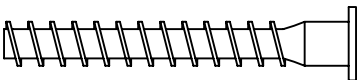
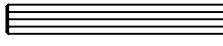
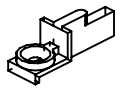
**BASE x1**

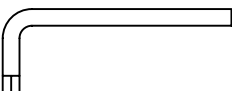
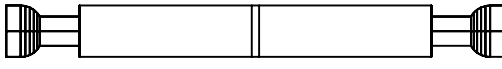
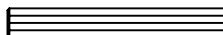

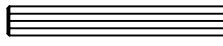


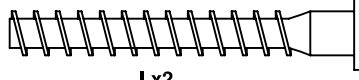
**PLINTH x1**

**TOP x1**

# FITTINGS GUIDE

<h2>HT / TAT</h2>	<h2>Z8S / Z12S / Z16S / Z20S</h2>
 <p>A x1 111-22-032</p>  <p>B x4 000-00-020</p>  <p>D x1 111-22-110</p>  <p>E x22 012-01-042</p>  <p>F x22 012-01-074</p>  <p>G x2 012-01-027</p>  <p>H x30 111-22-021</p>  <p>I x2 111-22-087</p>	 <p>G x30 012-01-027</p>  <p>C x8 012-01-079</p>

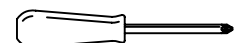
<h2>TM</h2> <h3>1200mm HIGH TAMBOUR UNIT</h3>	<h2>Z8T / Z12T / Z16T / Z20T</h2>
 <p>A x1 111-22-032</p>  <p>B x4 000-00-020</p>  <p>D x1 111-22-110</p>  <p>E x22 012-01-042</p>  <p>H x30 111-22-021</p>  <p>G x2 012-01-027</p>  <p>I x2 111-22-087</p>  <p>F x16 012-01-074</p>	<p>Please note Doors stops are taped to the tambour door.</p>  <p>J x2 000-00-135</p>

<h2>LT</h2> <h3>800mm HIGH TAMBOUR UNIT</h3>	
 <p>A x1 111-22-032</p>  <p>B x3 000-00-020</p>  <p>D x1 111-22-110</p>  <p>E x20 012-01-042</p>  <p>F x16 012-01-074</p>  <p>G x2 012-01-027</p>  <p>H x26 111-22-021</p>  <p>I x2 111-22-087</p>	

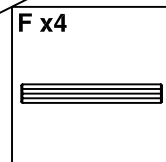
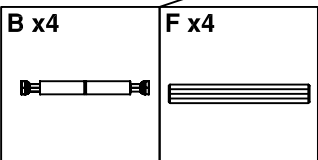
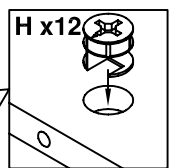
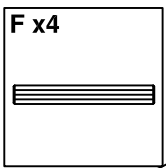
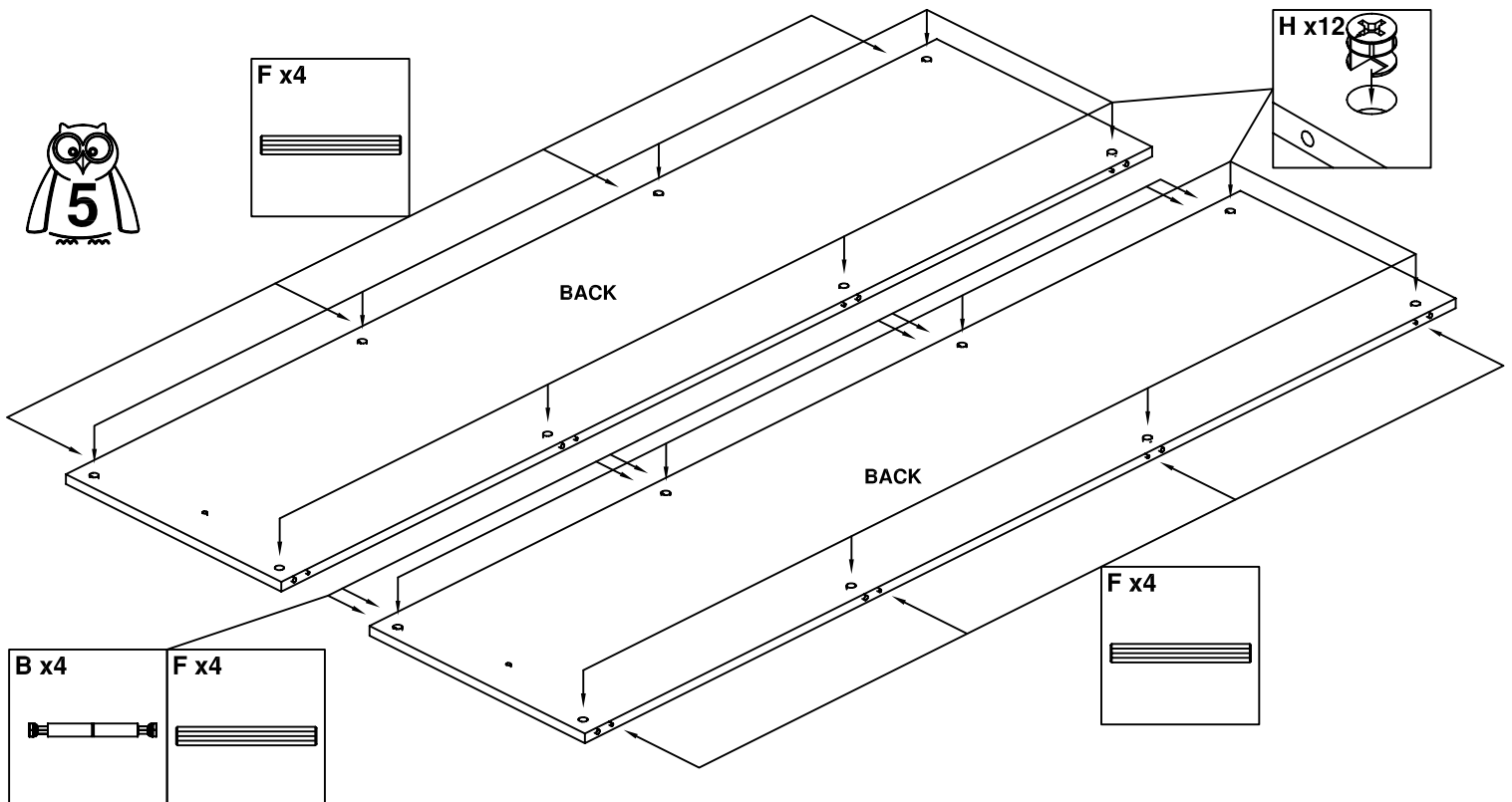
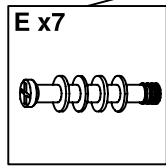
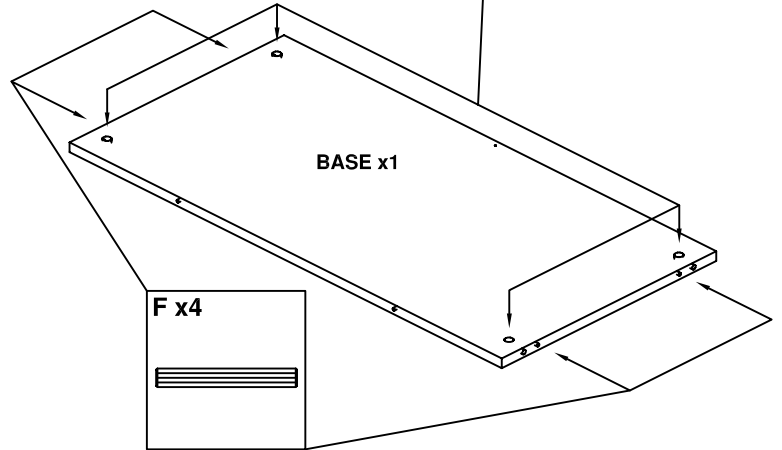
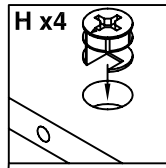
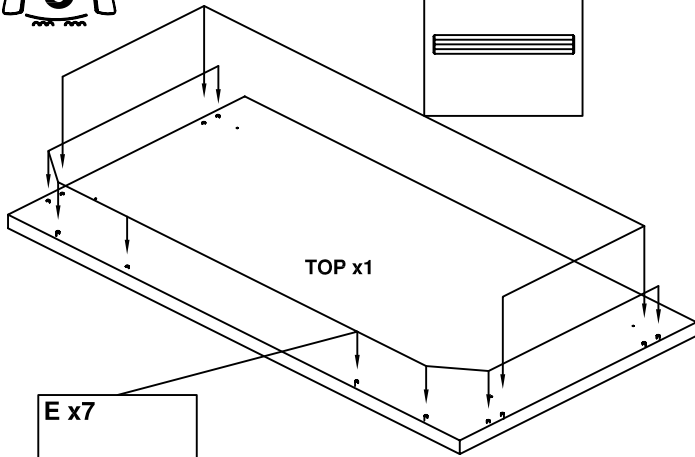
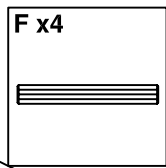
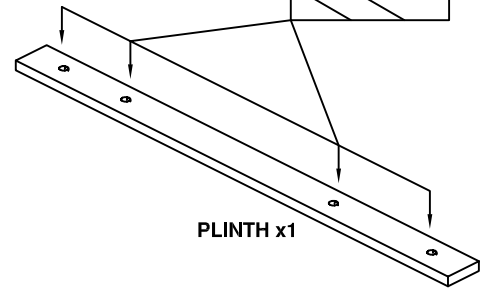
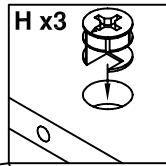
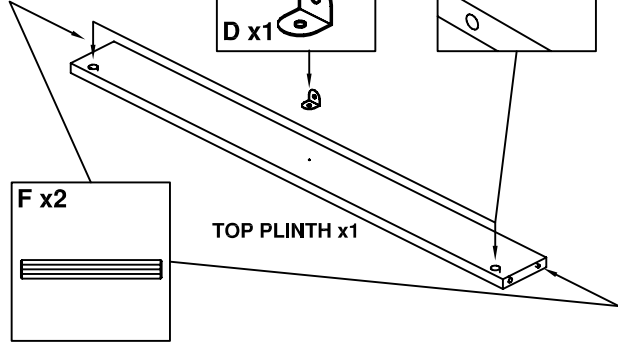
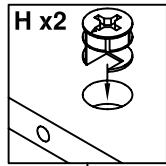
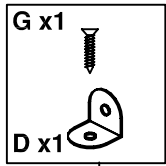
**PLEASE NOTE THE ILLUSTRATED INSTRUCTION IS FOR THE HT - 2000mm TAMBOUR UNIT  
ALL TAMBOUR UNITS ARE ASSEMBLED IN THE SAME MANNER HOWEVER NUMBER OF FITTINGS WILL VARY.**

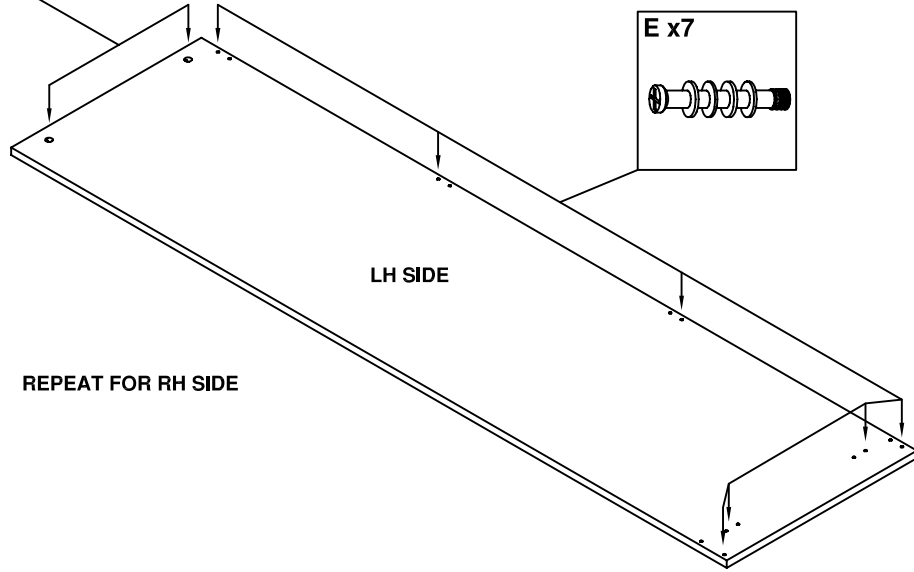
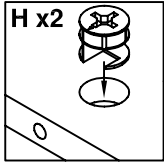


Start the assembly of this product by familiarising yourself with each component and this instruction sheet, this will make assembly easier. Once all parts have been identified, follow the instructions carefully and do not proceed until each step has been completed.

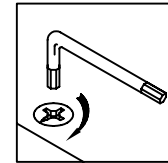
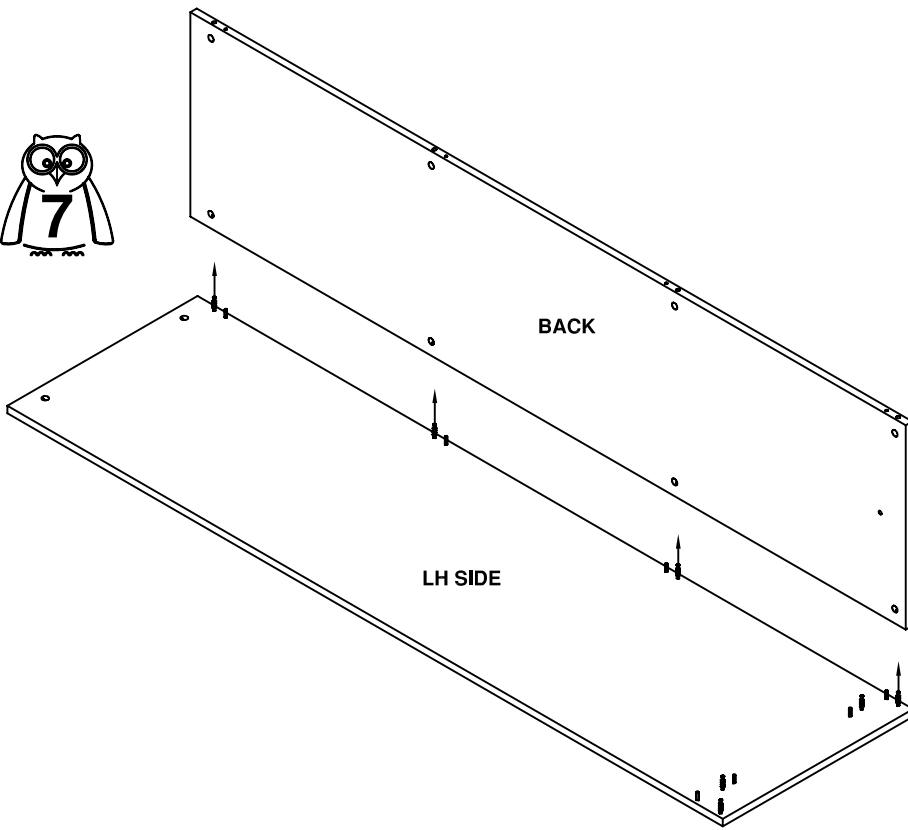


Tools required for use in assembly.





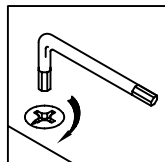
REPEAT FOR RH SIDE



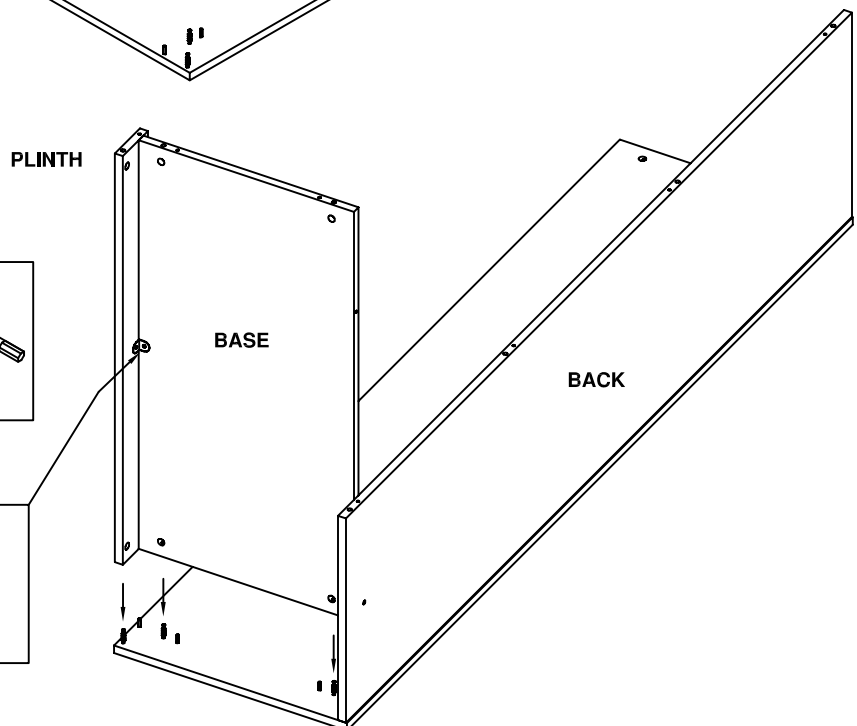
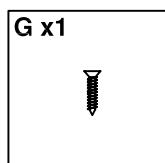
Position the back onto the LH side. side and lock cams.

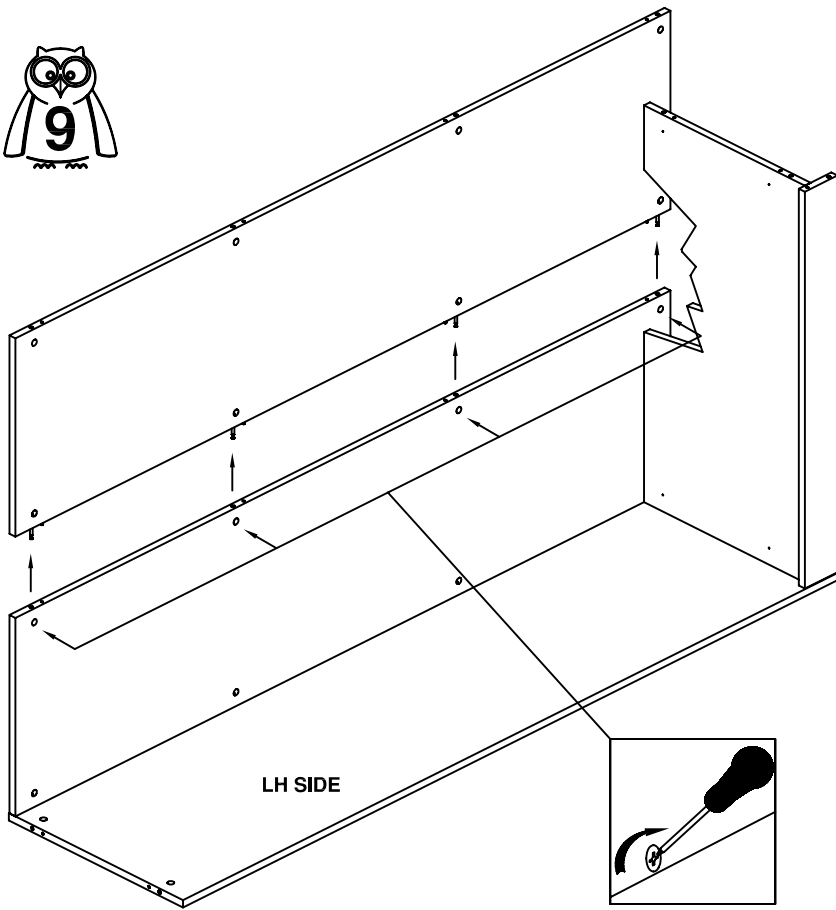



Position the base and the plinth onto the side and lock cams.

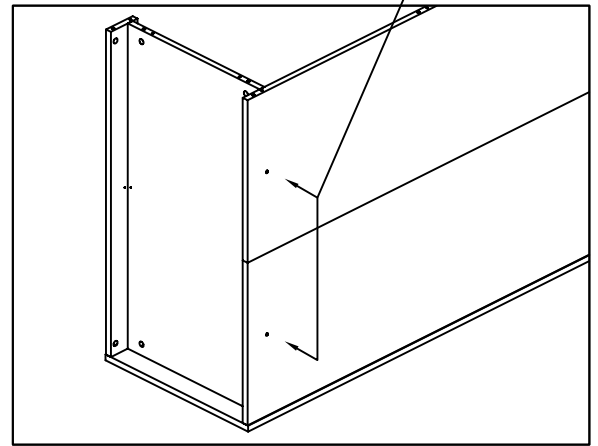


Fix one screw through the L-bracket to secure plinth to base.

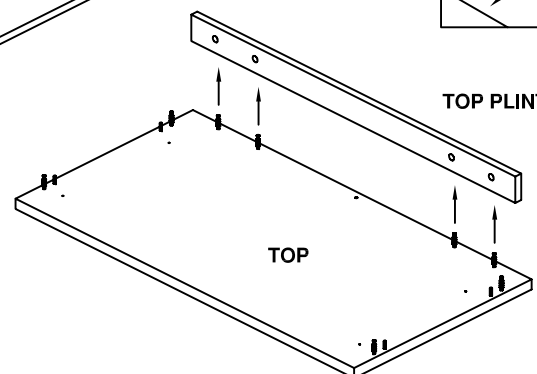
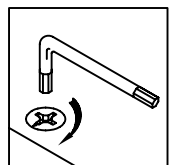
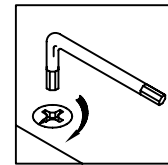
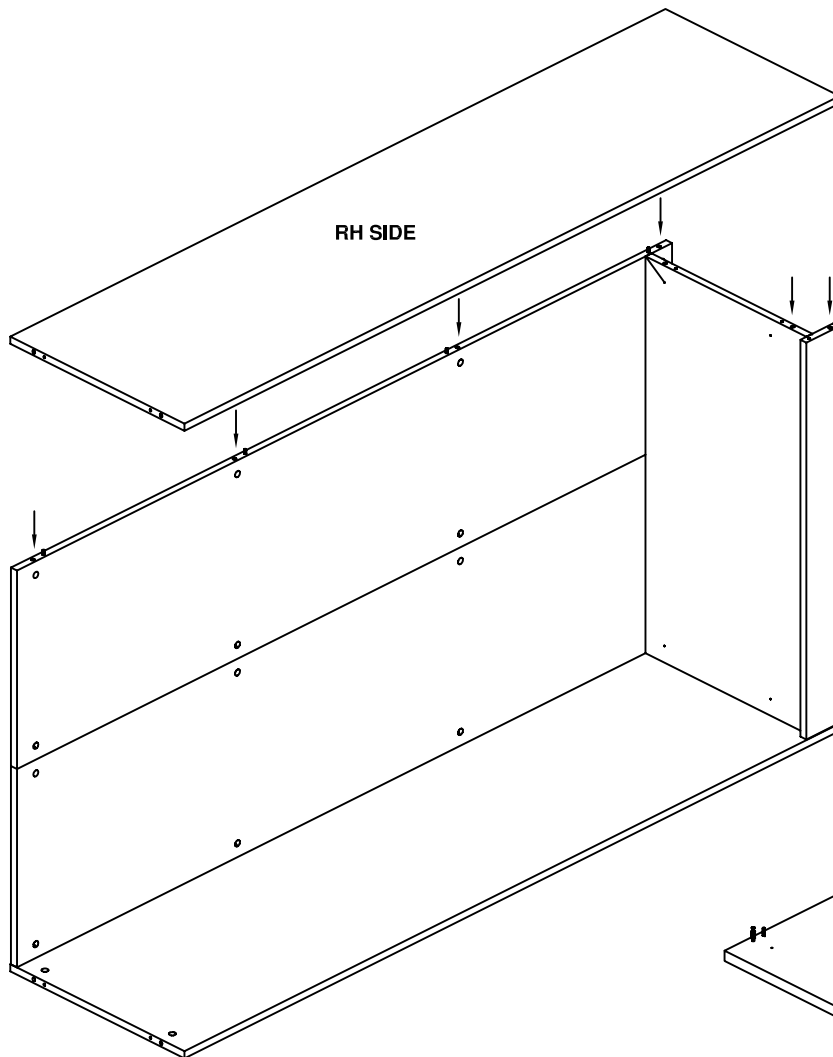


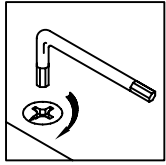
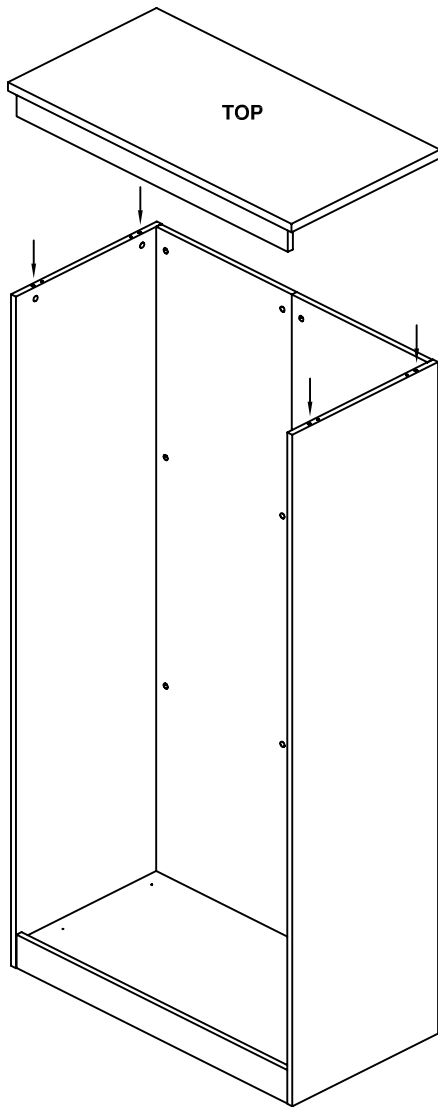


1 x 2  
  
 Use allen key



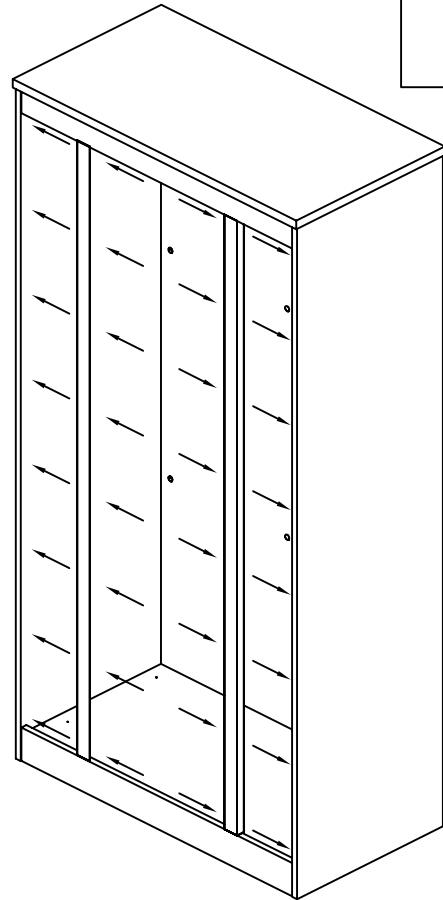
REAR OF CABINET



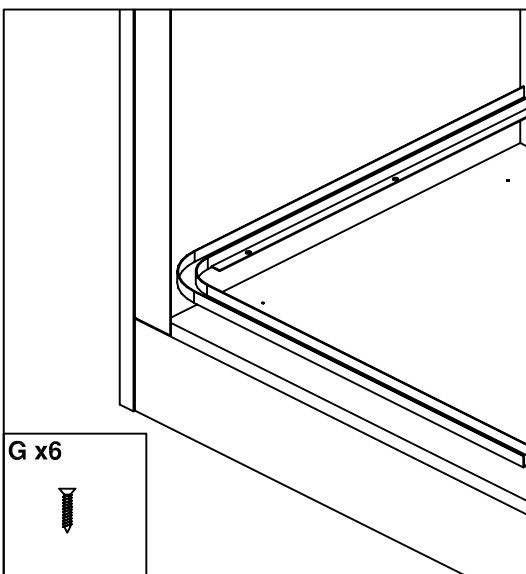


Position fillets 15mm from edge of unit.

G x16



### FITTING OF TRACK

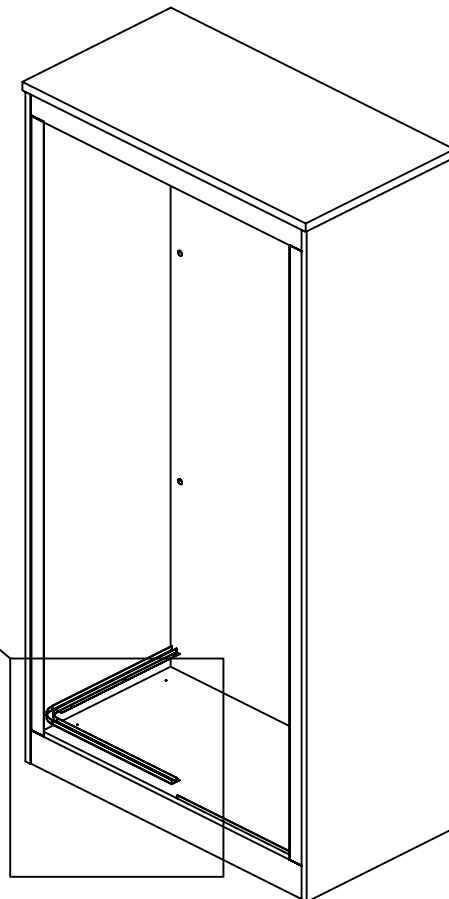


G x6



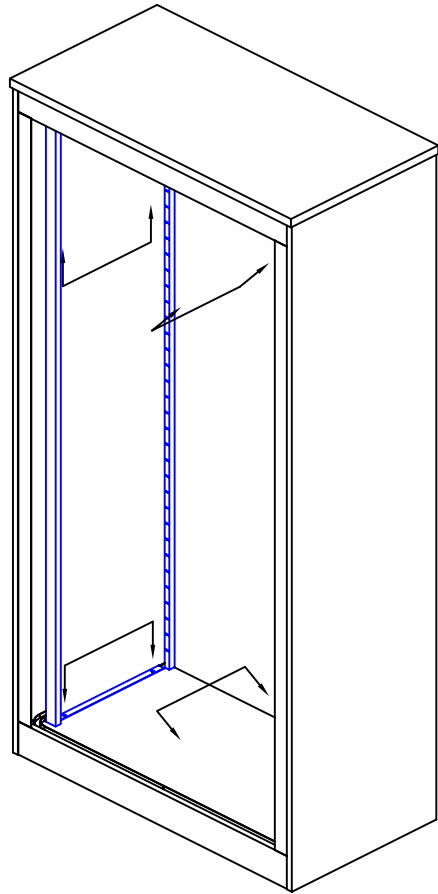
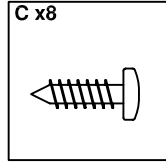
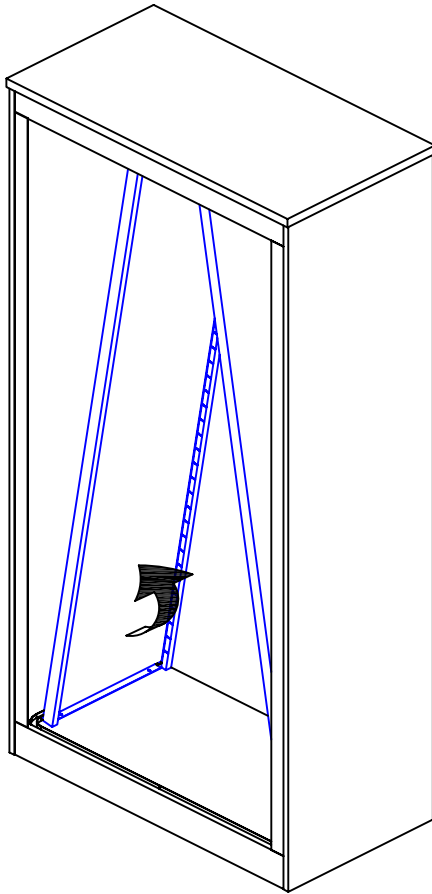
Ensure the track is pushed over to the left hand side and up pushed up against the front plinth.  
Secure each track using 6 screws

REPEAT FOR RIGHT HAND SIDE AND FOR TOP TRACK





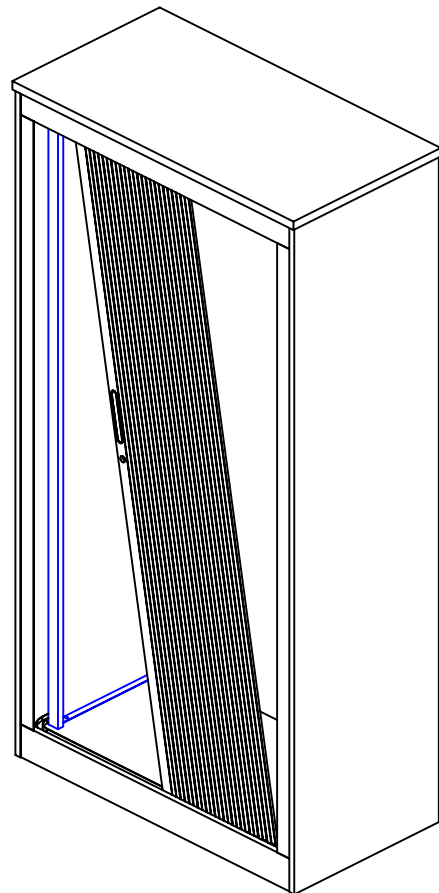
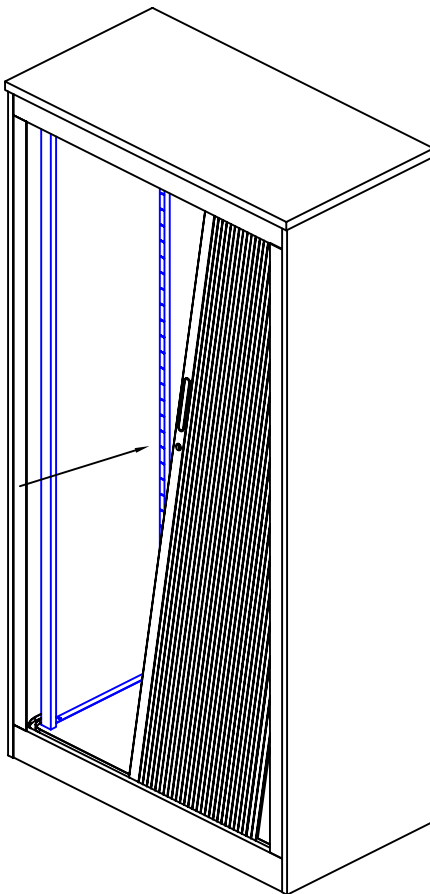
STEEL SKINS x2



Screw the steel skins into place.



Shutter with Lock



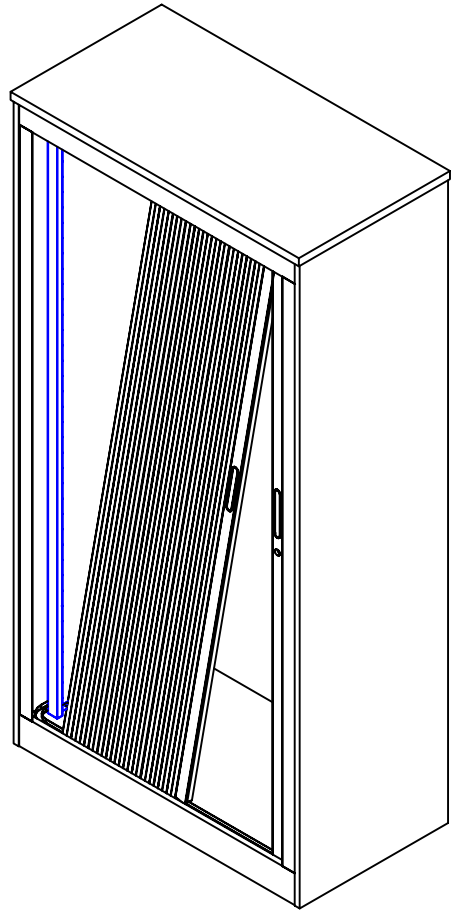
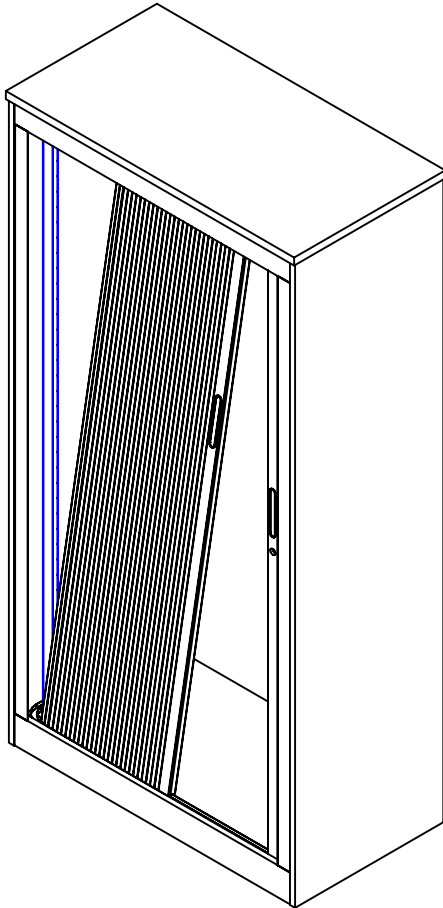
**Step 1**  
Tilt tambour shutter into the top of the cabinet.

**Step 2**  
Locate shutter into the bottom track.

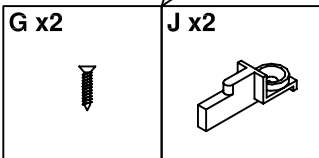
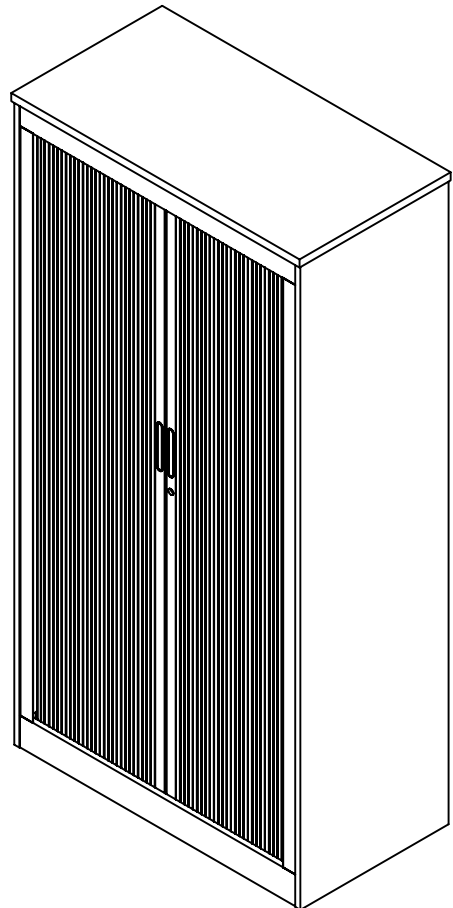
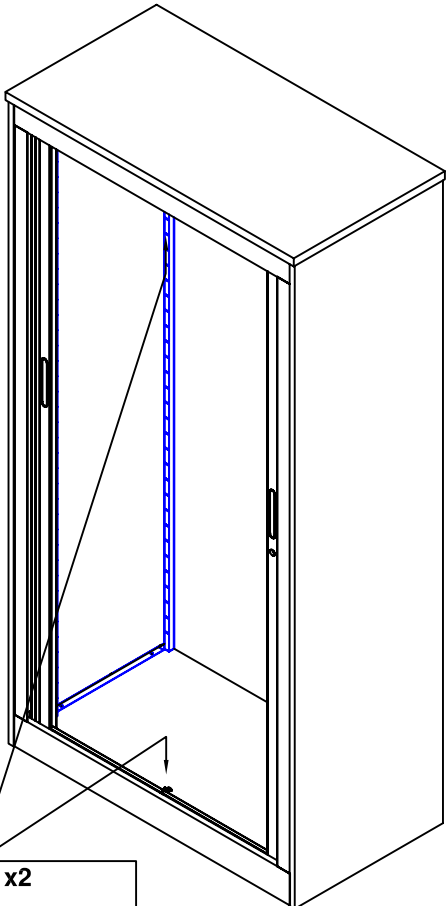
**Step 3**  
Peel tape from the back of the shutter.

**Step 4**  
Tilt towards LH whilst locating into the top track.

**Step 5**  
Keeping the shutter vertical push into the open position.



POSITION THE OTHER SHUTTER AS IN FIG 18 + 19.







# COMBINATION CUPBOARDS ONLY

Please read carefully before assembly begins.

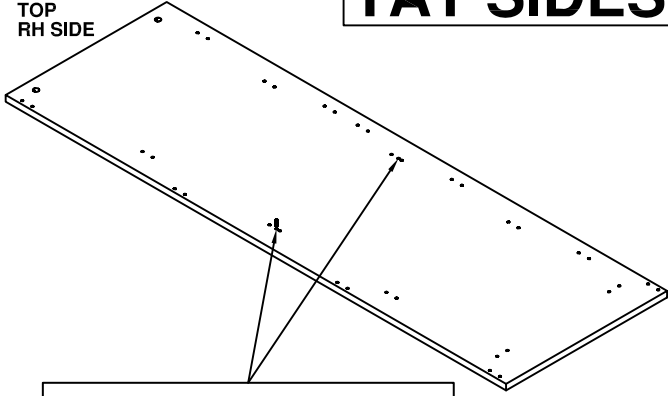
Start the assembly of this product by familiarising yourself with each component and this instruction sheet, this will make assembly easier.

Once all parts have been identified, follow the instructions carefully and do not proceed until each step has been completed.

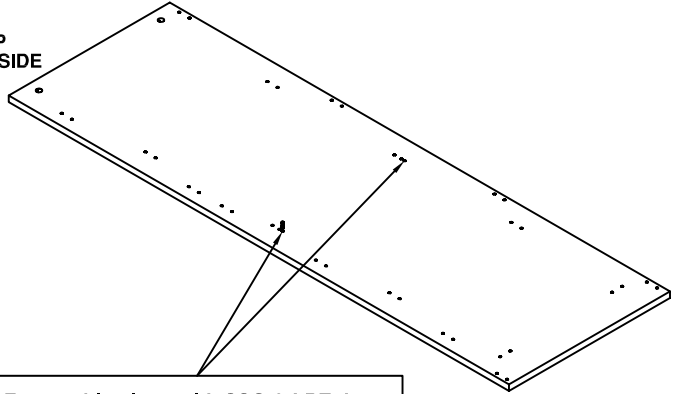
For combinations with SSG & Z8T doors as in Fig (1).  
For combinations with SSG & LDZ doors as Fig (2).

## TAT SIDES

TOP  
RH SIDE



TOP  
LH SIDE



For combinations with SSG & Z8T doors  
locate fitting in second hole.

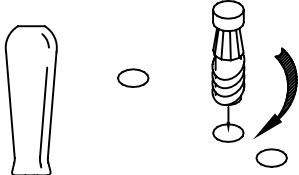


Fig (1)

For combinations with SSG & LDZ doors  
locate fitting in first hole.

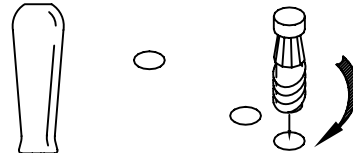


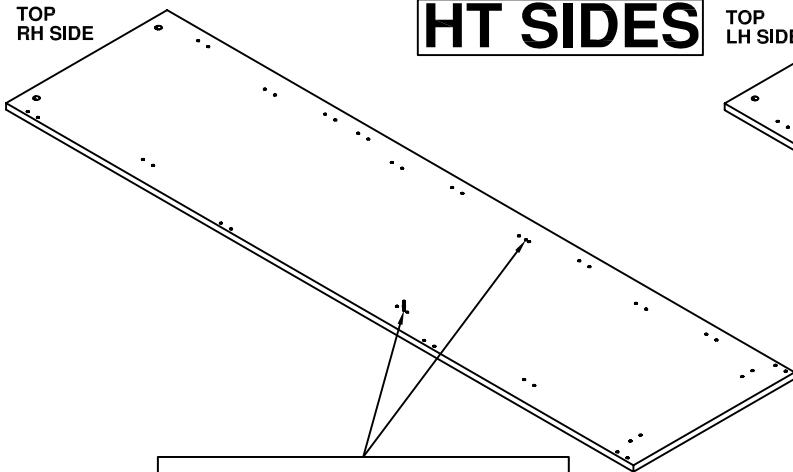
Fig (2)



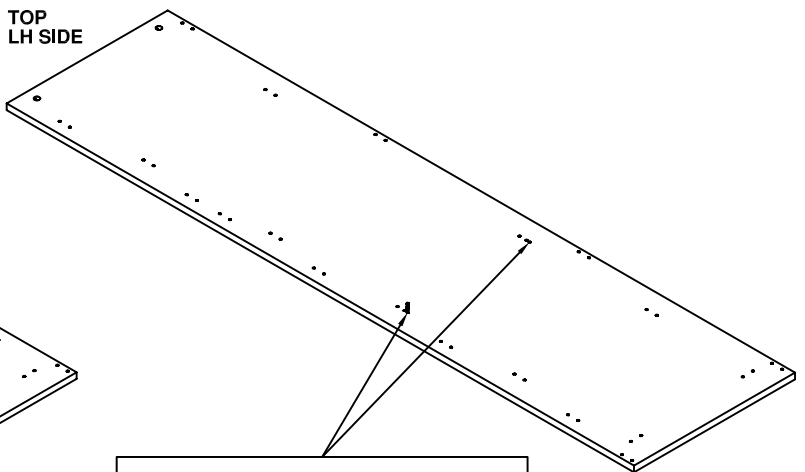
For combinations with SLG & Z8T doors as in Fig (1).  
For combinations with SLG & LDZ doors as Fig (2).

## HT SIDES

TOP  
RH SIDE



TOP  
LH SIDE



For combinations with SSG & Z8T doors  
locate fitting in second hole.

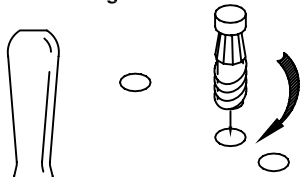


Fig (1)

For combinations with SSG & LDZ doors  
locate fitting in first hole.

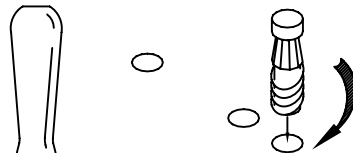
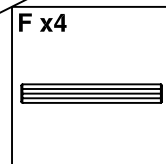
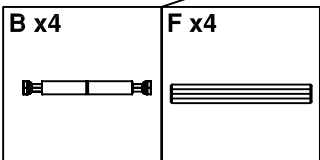
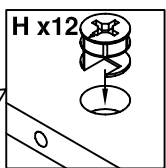
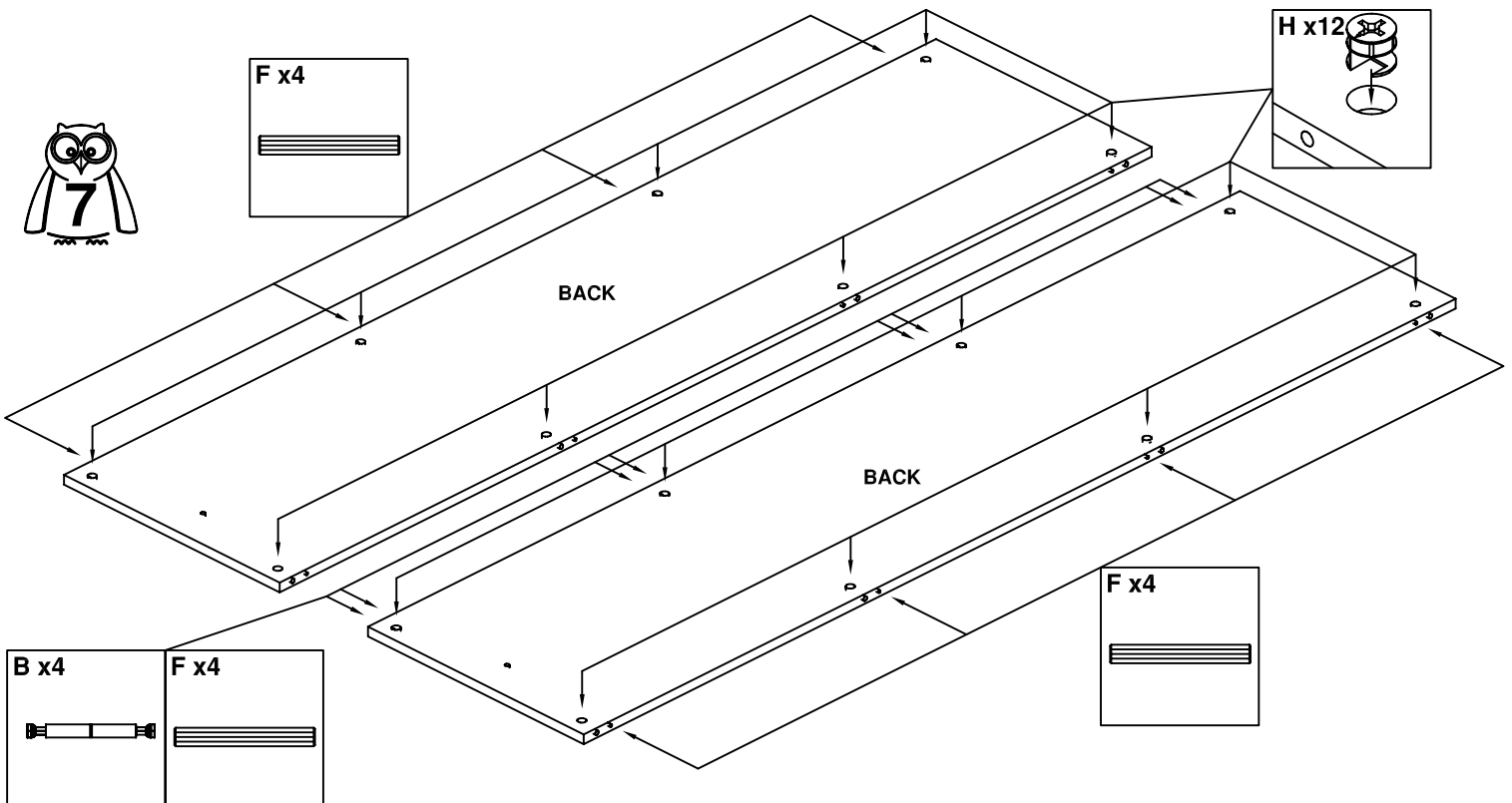
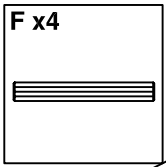
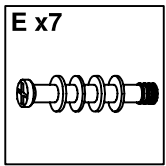
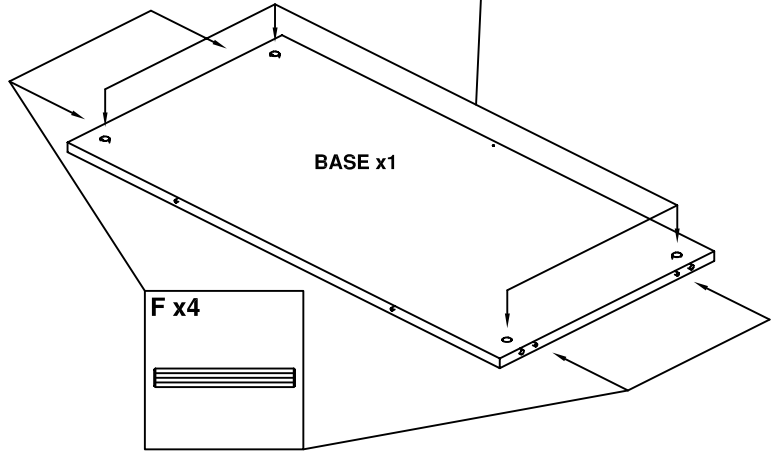
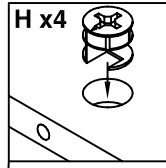
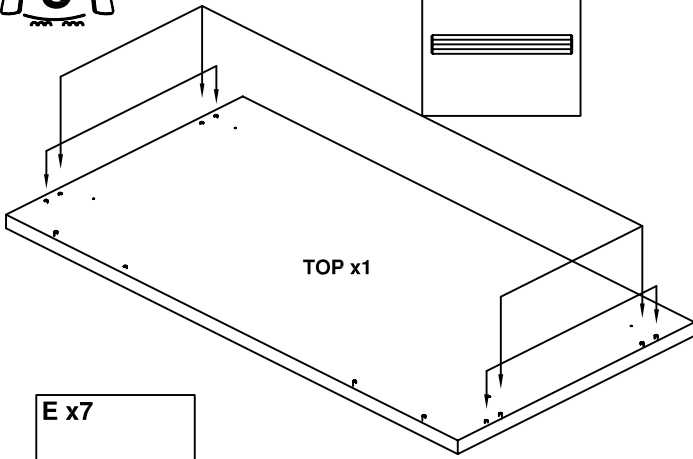
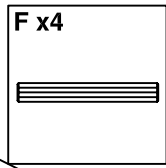
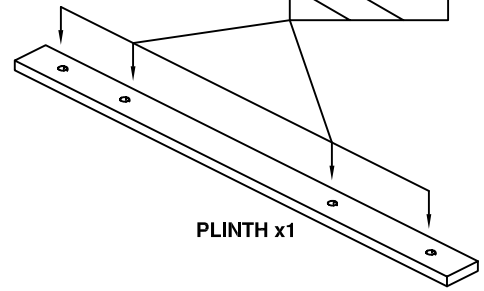
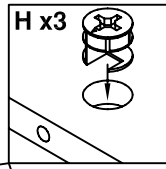
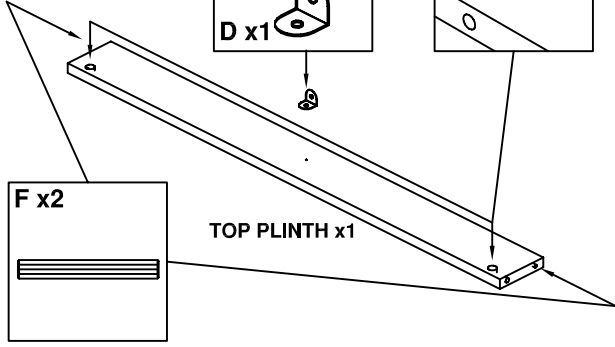
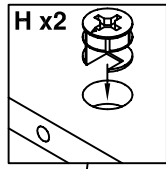
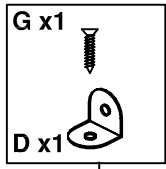
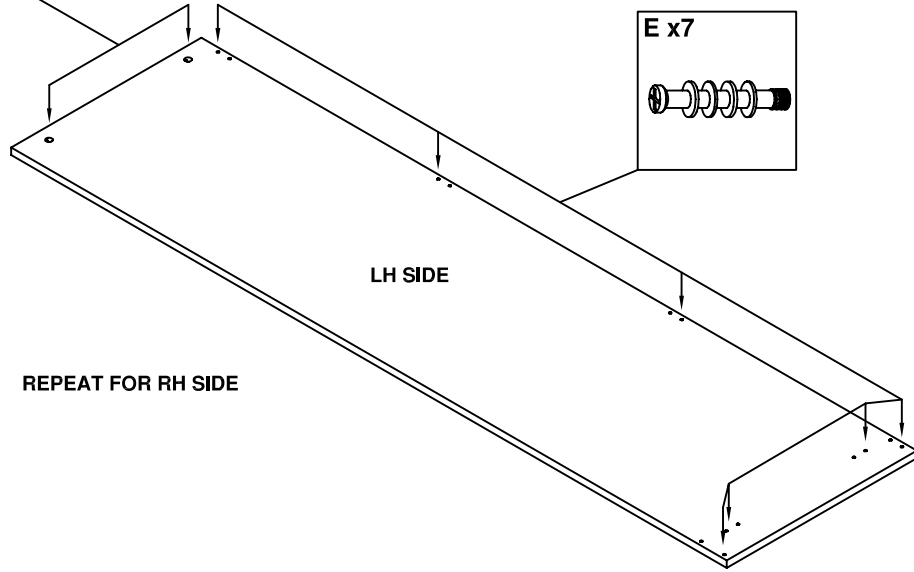
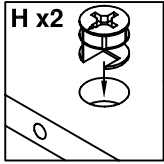
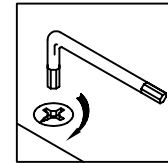
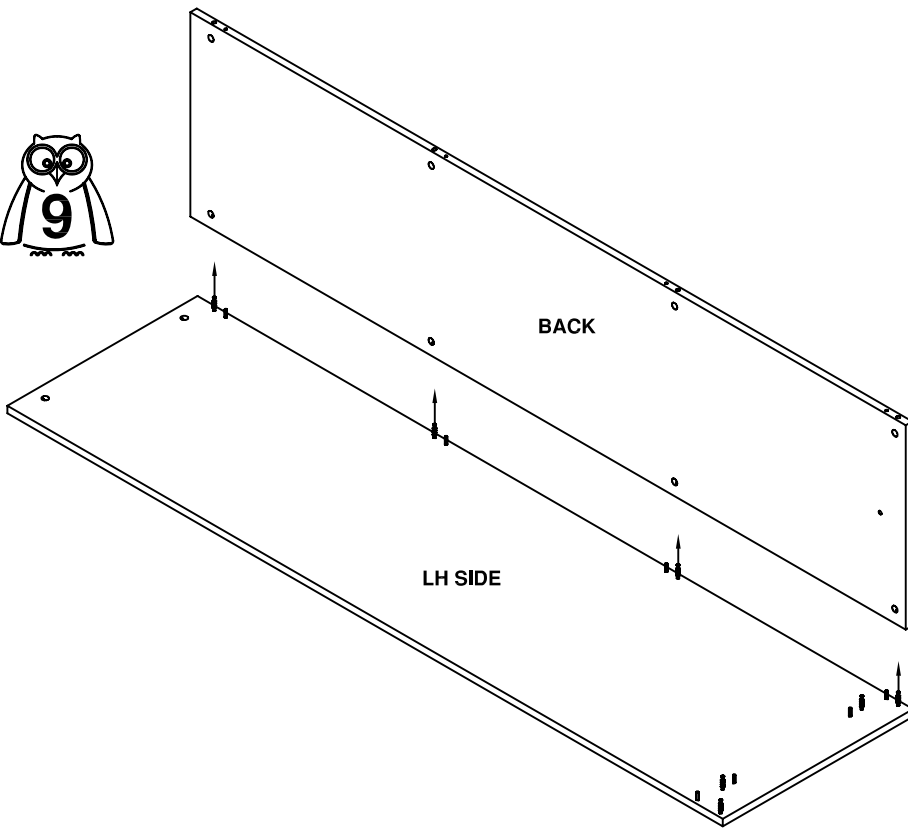


Fig (2)





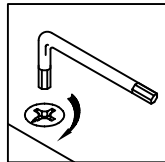
REPEAT FOR RH SIDE



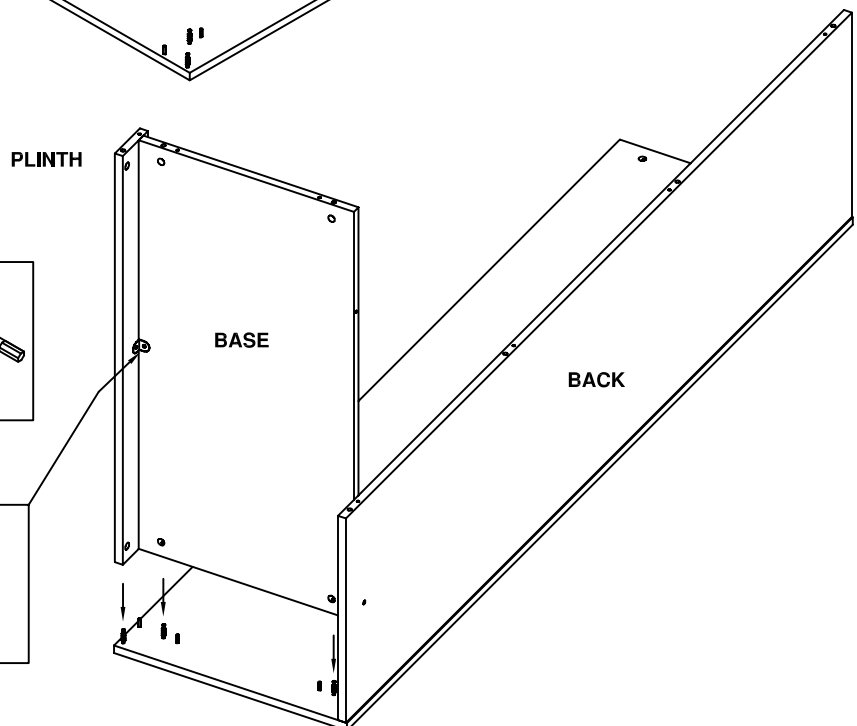
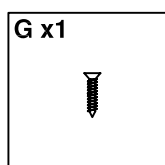
Position the back onto the LH side side and lock cams.

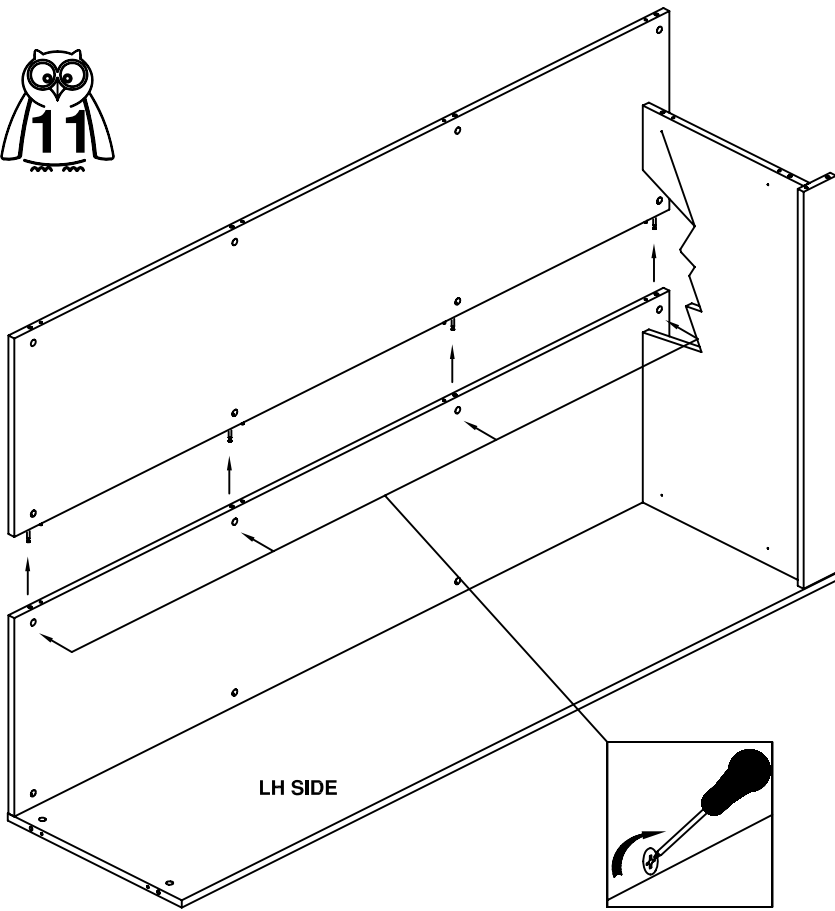


Position the base and the plinth onto the side and lock cams.

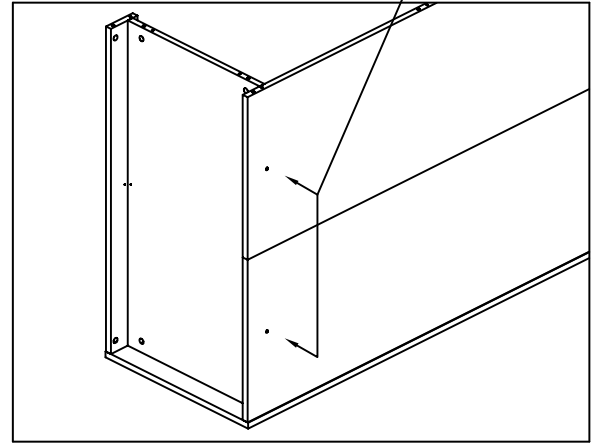
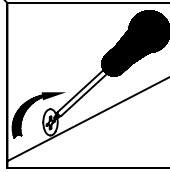


Fix one screw through the L-bracket to secure plinth to base.

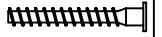




LH SIDE

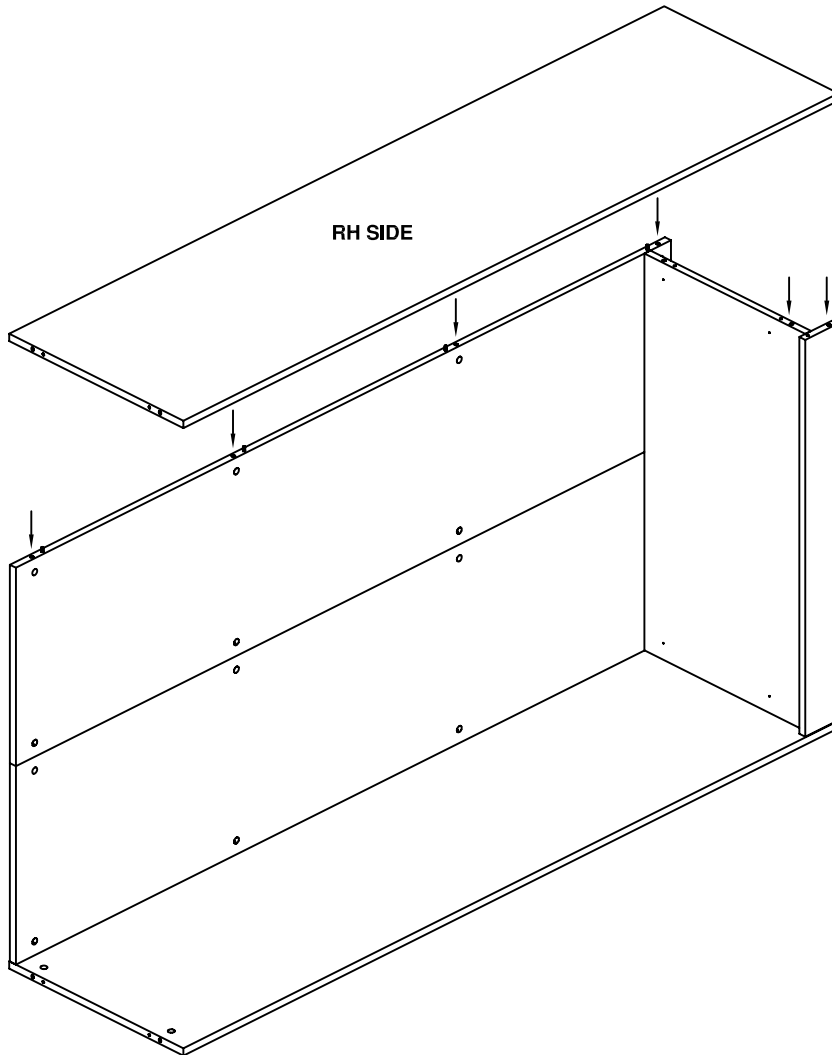


1 x 2

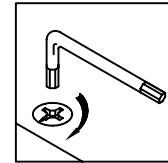


Use allen key

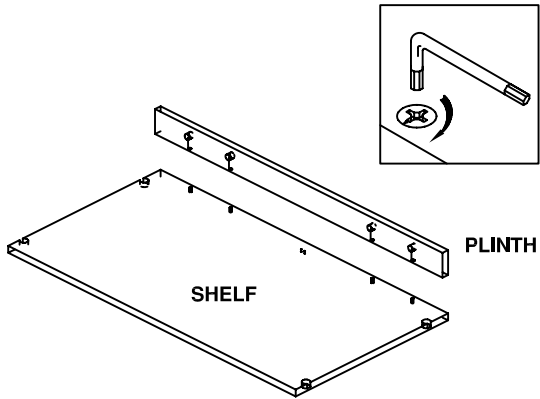
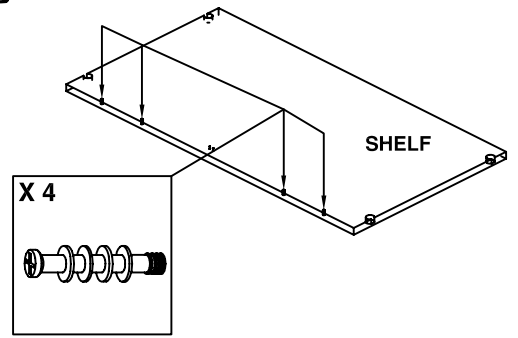
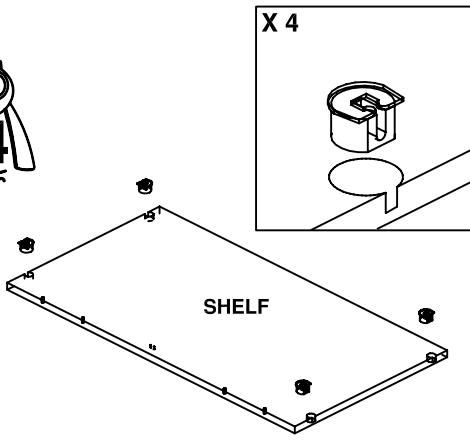
REAR OF CABINET



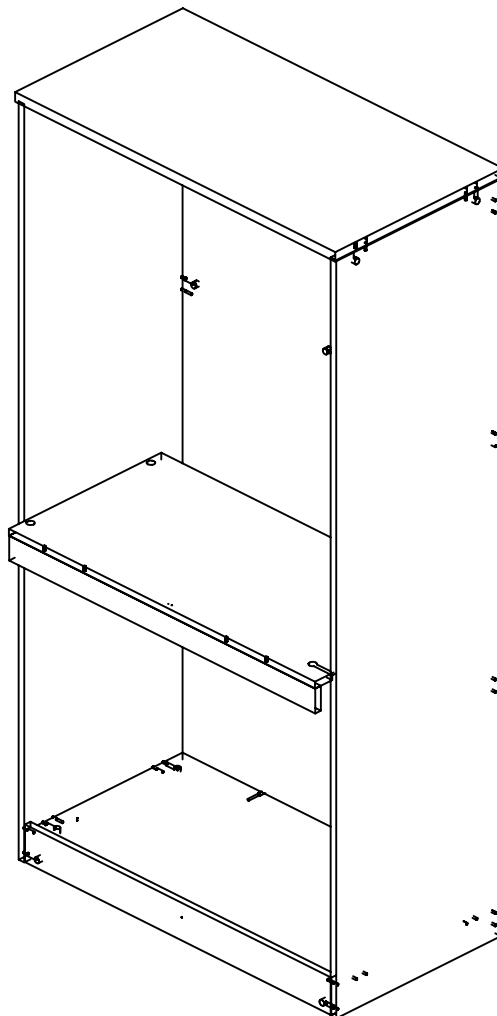
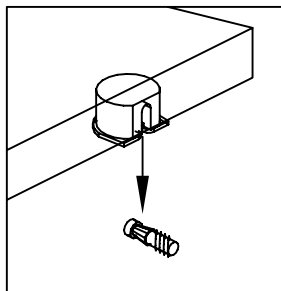
RH SIDE

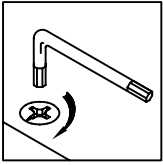
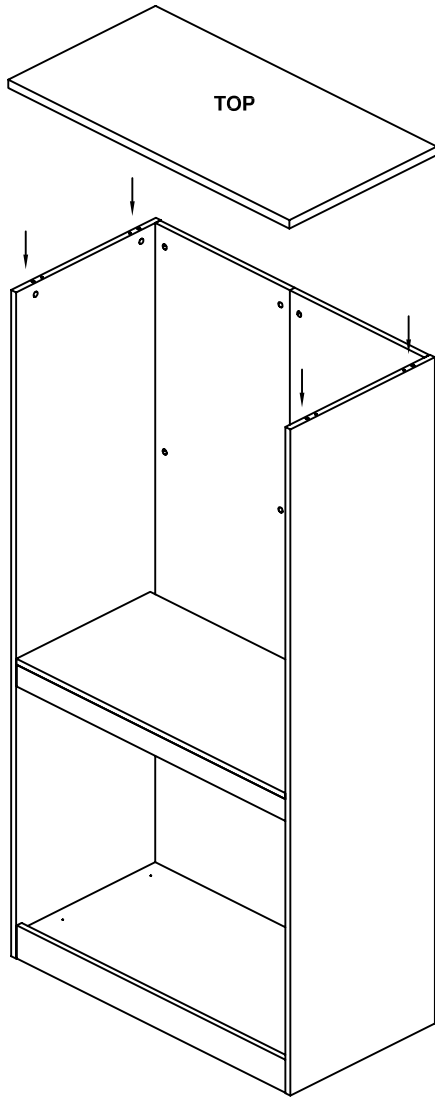


# SZ



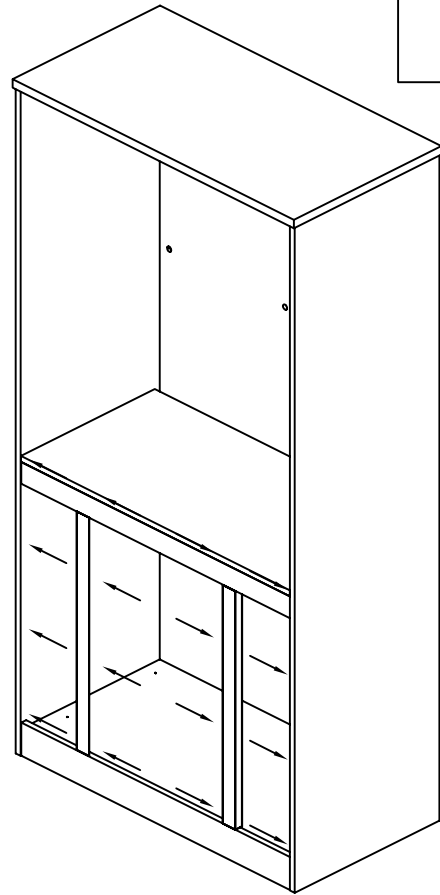
Slide shelf into carcass until the shelf cannot go back any further, push down on the shelf and locate to the pins in the side panels.



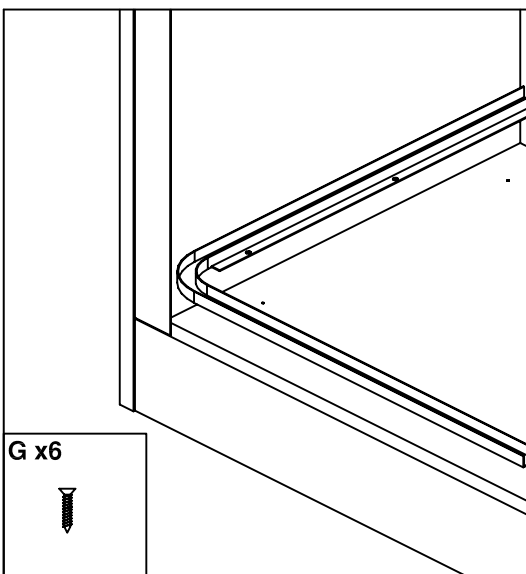


Position fillets 15mm from edge of unit.

G x16



### FITTING OF TRACK

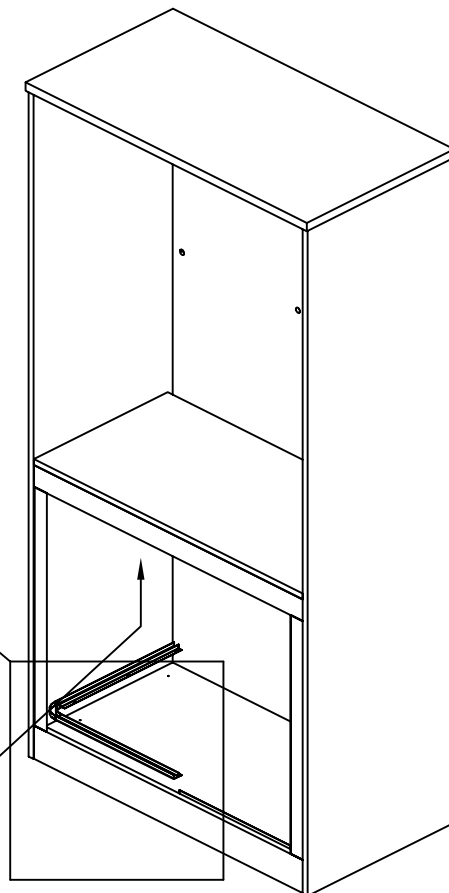


G x6



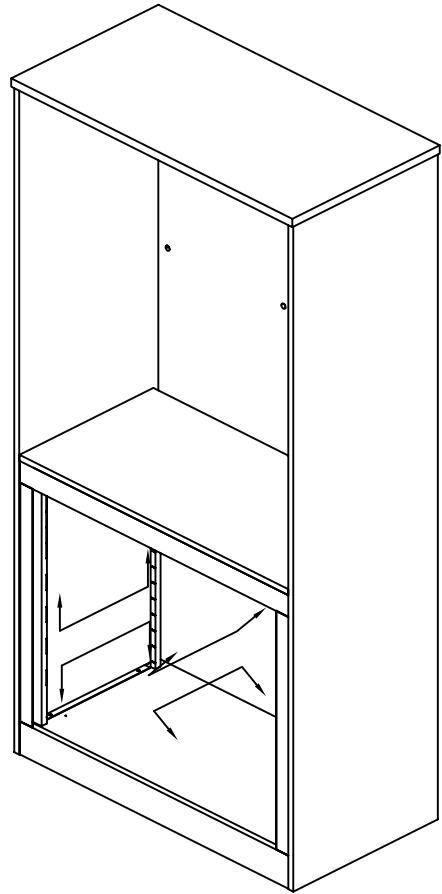
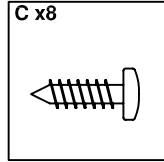
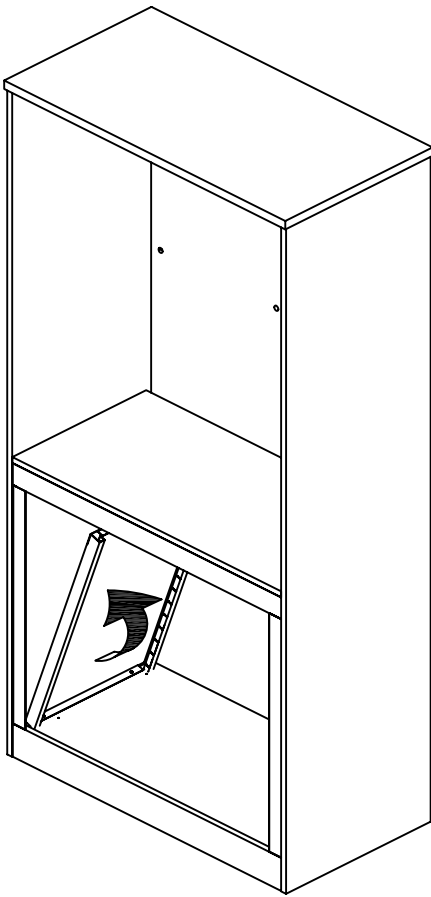
Ensure the track is pushed over to the left hand side and pushed up against the front plinth. Secure each track using 6 screws

REPEAT FOR RIGHT HAND SIDE AND FOR MIDDLE SHELF





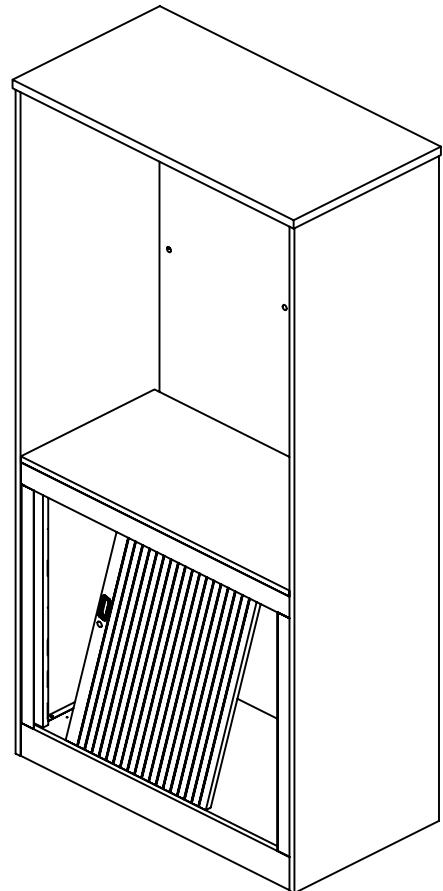
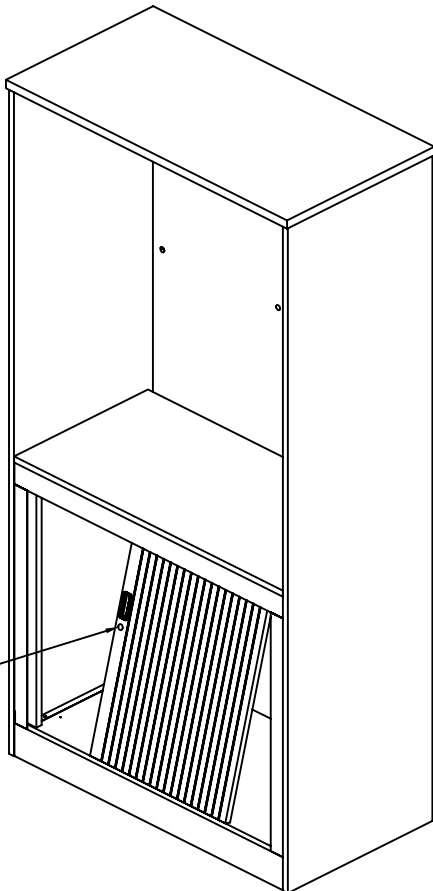
Steel inners  
Z8S



Screw the steel inners Z8T into place.



Shutter with Lock



**Step 1**  
Tilt tambour shutter into the top of the cabinet.

**Step 2**  
Locate shutter into the bottom track.

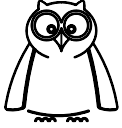
**Step 3**  
Peel tape from the back of the shutter.

**Step 4**  
Tilt towards LH whilst locating into the top track.

**Step 5**  
Keeping the shutter vertical, push into the open position.

**Step 6**  
Repeat step 1 to 5 for left hand shutter.

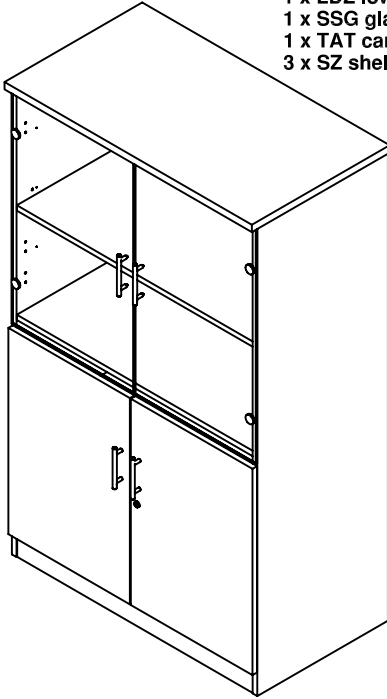
See LDZ, SSG & SLG instructions for assembling doors.  
SEE EXAMPLES BELOW



DG16 using products TAT / SDZ / SSG & SZ

## DG16

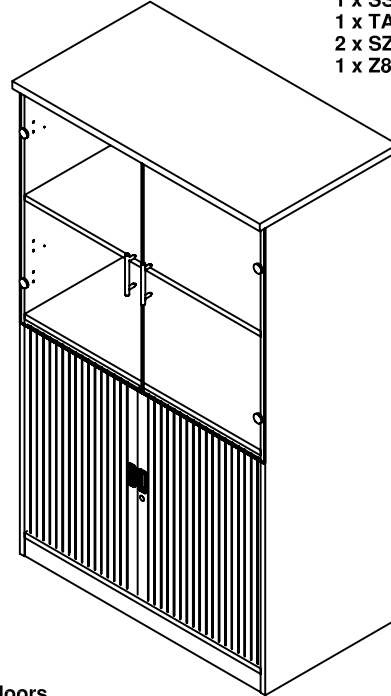
- Products required  
 1 x LDZ low wood doors  
 1 x SSG glass doors  
 1 x TAT carcass  
 3 x SZ shelves



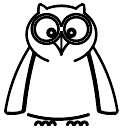
TG16 using products TAT / Z8T / SSG / Z8S & SZ

## TG16

- Products required  
 1 x Z8T Tambour doors  
 1 x SSG glass doors  
 1 x TAT carcass  
 2 x SZ shelves  
 1 x Z8S Steel inners



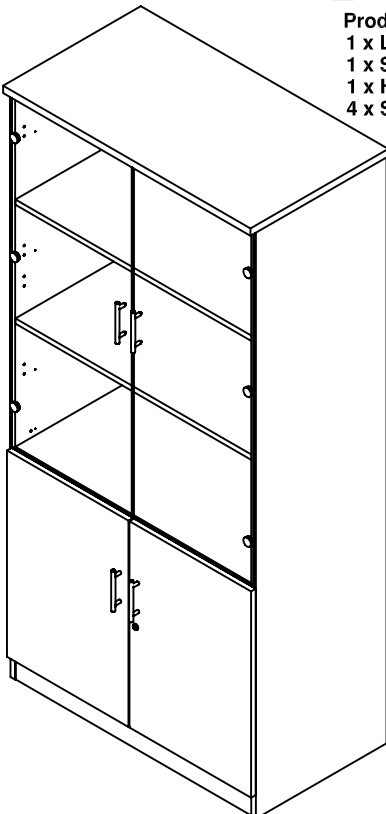
For installation of glass doors & Wood doors see assembly instructions packed with doors.



DG20 using products HT / SDZ / SLG & SZ

## DG20

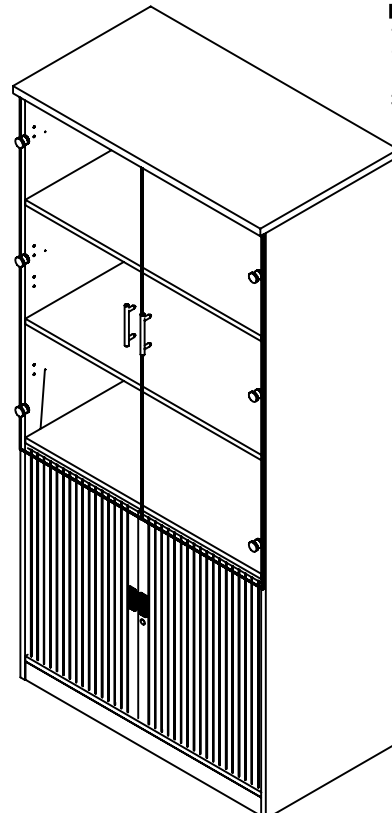
- Products required  
 1 x LDZ low wood doors  
 1 x SLG glass doors  
 1 x HT carcass  
 4 x SZ shelves



TG20 using products HT / Z8T / SLG / Z8S & SZ

## TG20

- Products required  
 1 x Z8T Tambour doors  
 1 x SLG glass doors  
 1 x HT carcass  
 3 x SZ shelves  
 1 x Z8S Steel Inners



For installation of glass doors & Wood doors see assembly instructions packed with doors.