

# TEKNIK OFFICE LTD.

SALES & SERVICE: PHONE: +1234 328804

FAX: +1234 342446,

## ASSEMBLY AND ADJUSTMENT INSTRUCTIONS

Before beginning the assembly, check to see that all parts are enclosed.

### PART LIST

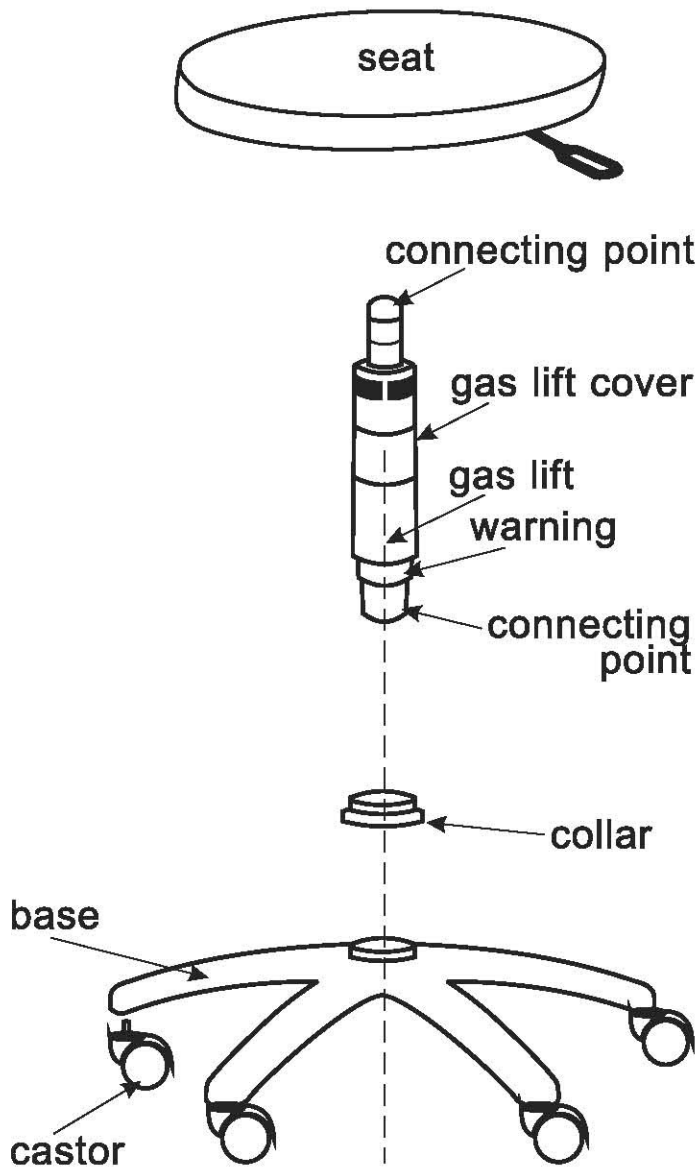
- 1 base
- 5 castors
- 1 gas lift
- 1 gas lift cover with collar
- 1 seat

Insert castors into base. Pull gas lift cover over the gas lift and connect the lift with the base.

Locate the seat on the gas lift. Gas lift allows the adjustment of the seat height.

## MAINTENANCE

Inspection - Inspect chair at least every six months, to make sure all knobs, bolts and screws are tight.



**TEKNIK OFFICE LTD**

**Phone: 0 1234 328804**

**Fax: 0 1234 342446**

**e-mail: CustomerService@teknikoffice.co.uk**

## RING KIT DELUXE

### **ASSEMBLY AND ADJUSTMENT INSTRUCTIONS**

Before beginning the assembly, check to see that all parts are enclosed.

#### PART LIST

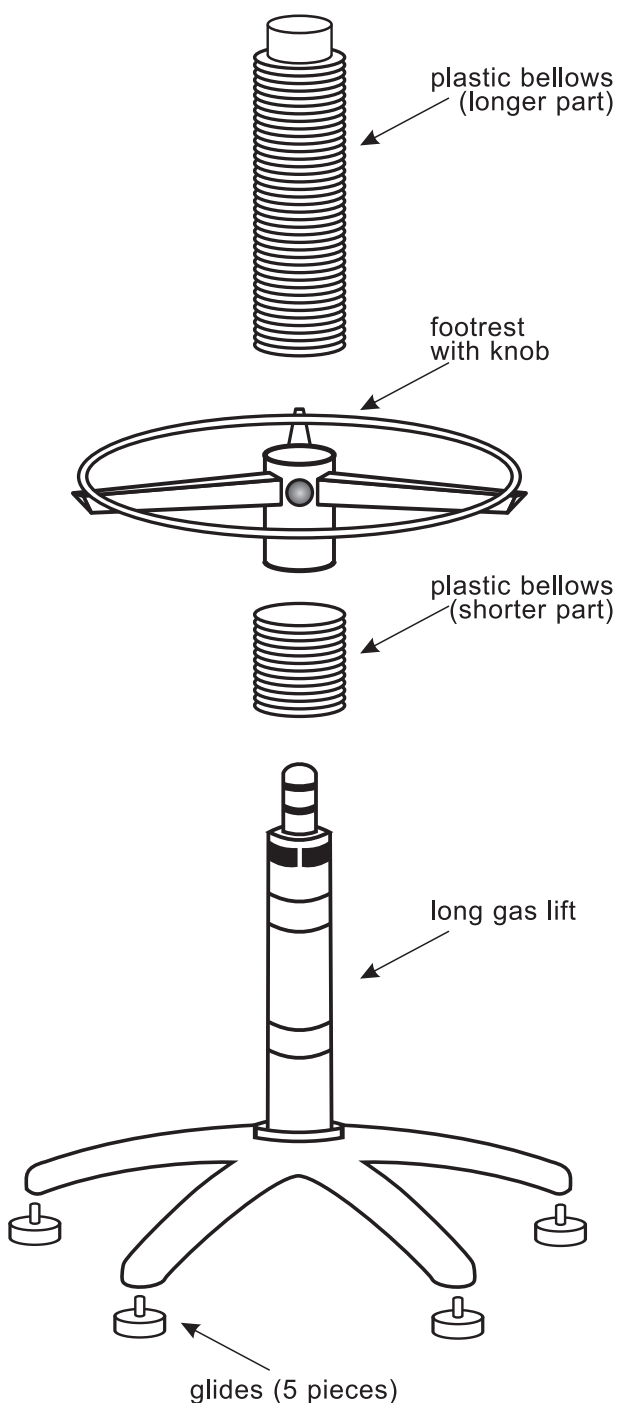
- 1 long gas lift
- 1 footrest
- 2 plastic bellows (one shorter and one longer)
- 5 glides

#### ASSEMBLY

1. Insert glides into base.
2. Insert the long gas lift into the base and pull the plastic bellows A (shorter) over the lift.
3. Slide the footrest over the gas lift and tighten the screw knob. Pull the plastic bellows B (longer) over the lift. The screw knob regulates the footrest height.

#### WARNING

NB: Do not use this RING KIT with castors as to do so would be unsafe & compromise the structure of the chair.



**Please note, the use of castors in conjunction with this conversion kit is dangerous as it will render the chair unstable and will invalidate your warranty.**