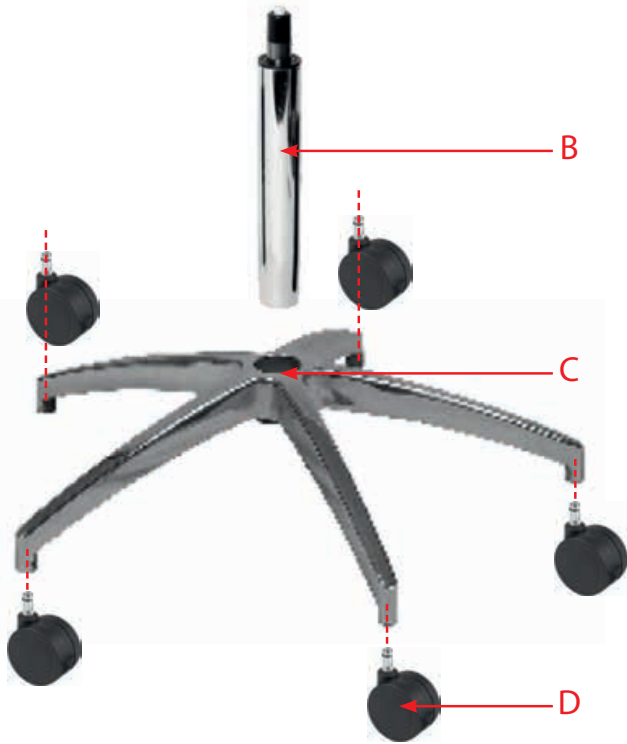


ASSEMBLY INSTRUCTION FOR: PERCH

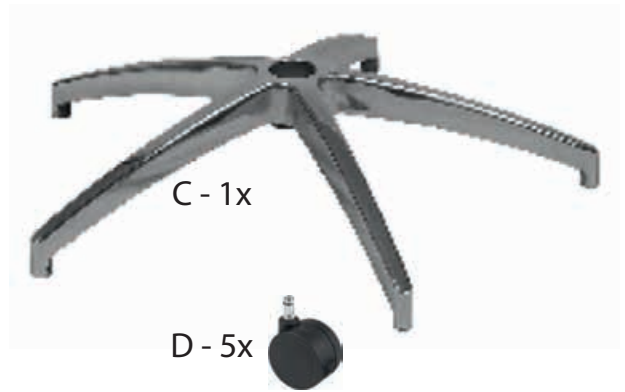
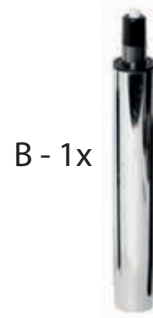
TEKNIK OFFICE LTD
SALES & SERVICE:
Phone: + 1234 328804
Fax: + 1234 342446
Mail: customerservice@teknikoffice.co.uk



A - 1x



B - 1x



D - 5x

OPERATING INSTRUCTION



Reclining of the seat



Height adjustment of the seat