

Sit and surf.

# Home Study L Shaped Desk

Model 5412320

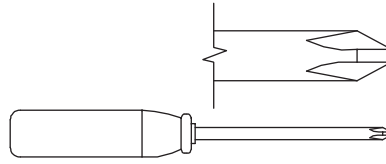
**NOTE:** THIS INSTRUCTION BOOKLET CONTAINS **IMPORTANT** SAFETY INFORMATION.

PLEASE READ AND KEEP FOR FUTURE REFERENCE.

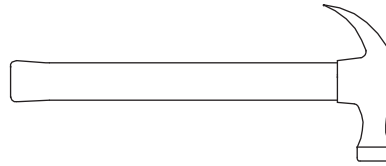
# Table of Contents

# Assembly Tools Required

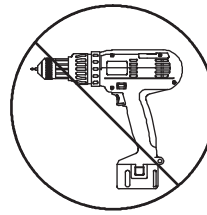
Part Identification	3
Hardware Identification	4
Assembly Steps	5-32
Safety	41



No. 2 Phillips Screwdriver  
Tip Shown Actual Size



Hammer  
Not actual size 😊



Skip the power trip.  
This time.

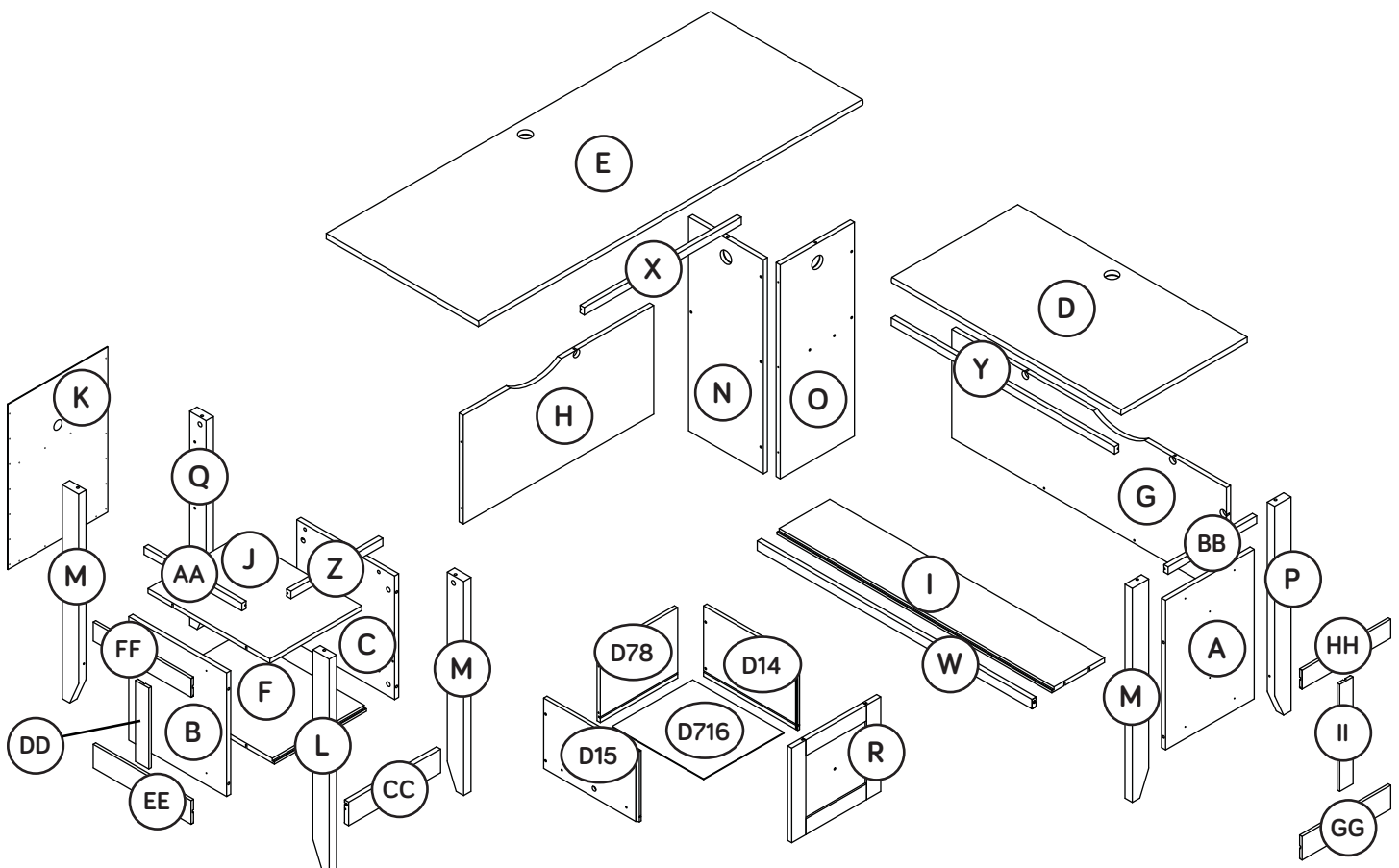
# Part Identification

Now you know  
our ABCs.



† While not all parts are labeled, some of the parts will have a label or an inked letter on the edge to help distinguish similar parts from each other. Use this part identification to help identify similar parts.

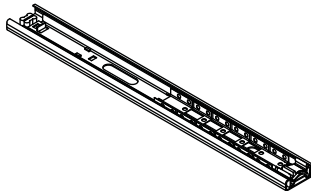
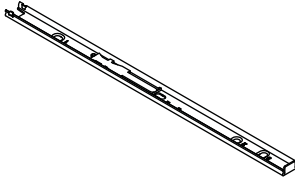
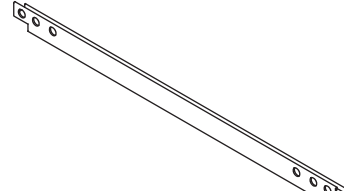
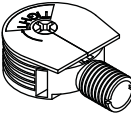
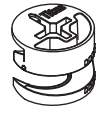
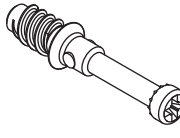
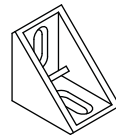
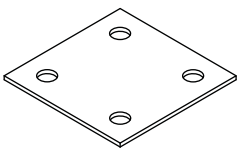
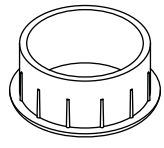

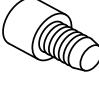
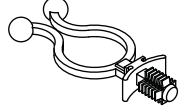
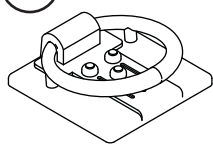




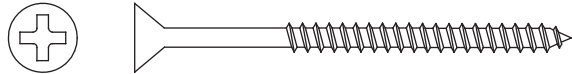
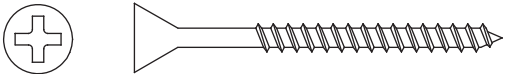
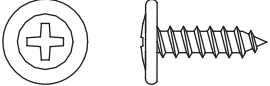
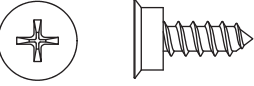

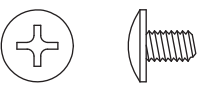
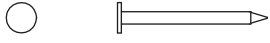

A	RIGHT END (1)	I	PURSE SHELF (1)	Y	RIGHT FRONT MOLDING (1)
B	LEFT END (1)	J	SHELF (1)	Z	FRONT MOLDING (1)
C	LEFT UPRIGHT (1)	K	BACK (1)	AA	TOP LEFT SIDE MOLDING (1)
D	RIGHT TOP (1)	L	LEFT LEG (1)	BB	TOP RIGHT SIDE MOLDING (1)
D14	RIGHT DRAWER SIDE (1)	M	RIGHT FRONT/LEFT REAR LEG (3)	CC	BOTTOM MOLDING (1)
D15	LEFT DRAWER SIDE (1)	N	LEFT CORNER LEG (1)	DD	LEFT END MOLDING (1)
D78	DRAWER BACK (1)	O	RIGHT CORNER LEG (1)	EE	LOWER LEFT MOLDING (1)
D716	DRAWER BOTTOM (1)	P	RIGHT REAR LEG (1)	FF	UPPER LEFT MOLDING (1)
E	LEFT TOP (1)	Q	BACK LEG (1)	GG	LOWER RIGHT MOLDING (1)
F	BOTTOM (1)	R	DRAWER FRONT (1)	HH	UPPER RIGHT MOLDING (1)
G	RIGHT MODESTY PANEL (1)	W	PURSE SHELF MOLDING (1)	II	RIGHT END MOLDING (1)
H	LEFT MODESTY PANEL (1)	X	LEFT FRONT MOLDING (1)		



# Hardware Identification

† Screws are shown actual size. You may receive extra hardware with your unit.

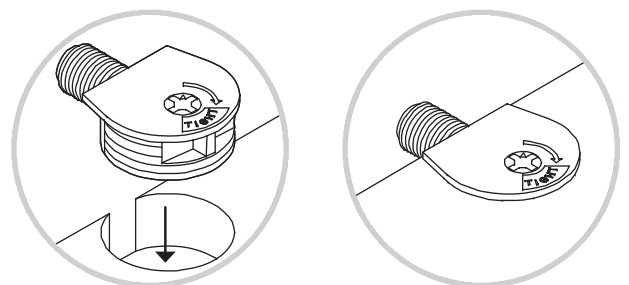
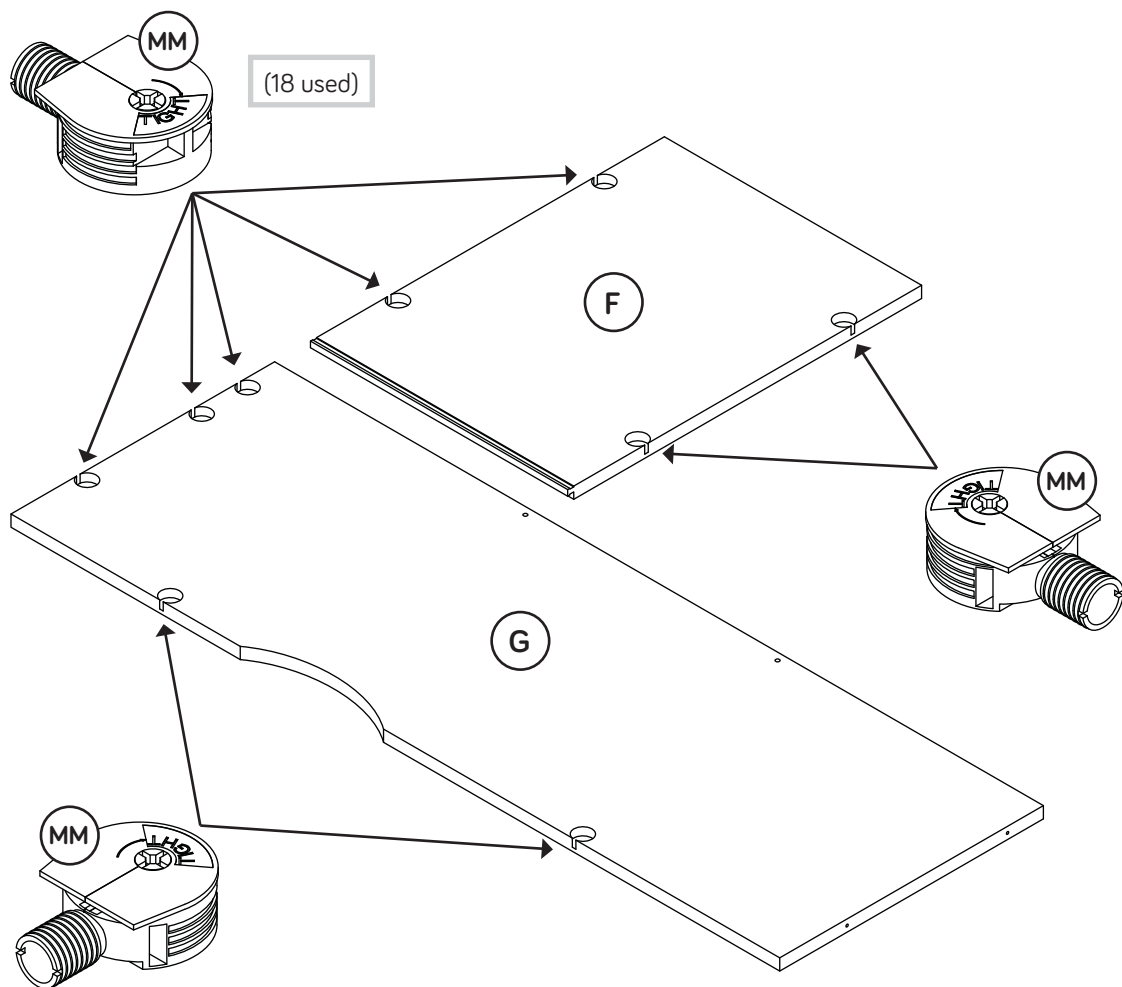
(EXTENSION SET SHOWN SEPARATED)

- |   |  |  |  |  |
|---|--|--|--|--|
| <p><b>JJ</b> EXTENSION RAIL - 2</p>                    | <p><b>KK</b> EXTENSION SLIDE - 2</p>  | <p><b>LL</b> FILE GLIDE - 2</p>                        | <p><b>MM</b> TWIST-LOCK® FASTENER - 18</p>  |  |
| <p><b>NN</b> HIDDEN CAM - 18</p>                       | <p><b>OO</b> CAM SCREW - 18</p>       | <p><b>PP</b> ANGLE BRACKET - 12</p>                    | <p><b>QQ</b> TIE PLATE - 2</p>              |  |
| <p><b>RR</b> GROMMET - 2</p>                          | <p><b>SS</b> GROMMET CAP - 2</p>     | <p><b>TT</b> SUPPORT PIN - 2</p>                      | <p><b>VV</b> CORD CLIP - 2</p>             |  |
| <p><b>WW</b> PULL - 1</p>                             | <p><b>XX</b> WASHER - 1</p>         | <p><b>YY</b> SLIDE CAM - 2</p>                        | <p><b>ZZ</b> CAM COVER - 10</p>           | <p><b>AAA</b> SCREW COVER - 10</p>  |
| <p><b>BBB</b> BLACK 2-1/4" FLAT HEAD SCREW - 2</p>   |  | <p><b>CCC</b> BLACK 1-7/8" FLAT HEAD SCREW - 9</p>   |  |  |
| <p><b>DDD</b> BLACK 9/16" LARGE HEAD SCREW - 32</p>  |  | <p><b>EEE</b> BLACK 9/16" FLAT HEAD SCREW - 12</p>   |  |  |
| <p><b>FFF</b> GOLD 5/16" FLAT HEAD SCREW - 8</p>     |  | <p><b>GGG</b> SILVER 1/4" MACHINE SCREW - 1</p>      |  |  |
| <p><b>HHH</b> NAIL - 22</p>                          |  | <p><b>30S</b> BLACK 1-9/16" FLAT HEAD SCREW - 4</p>  |  |  |

# Step 1

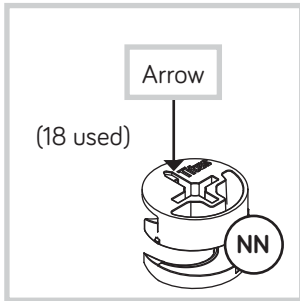
- ✦ Assemble your unit on a carpeted floor or on the empty carton to avoid scratching your unit or the floor.
- ✦ To begin assembly, push a TWIST-LOCK® FASTENER (MM) into the large holes in the BOTTOM (F) and RIGHT MODESTY PANEL (G). Repeat this step for the LEFT MODESTY PANEL (H), PURSE SHELF (I), SHELF (J), and CORNER LEGS (N and O).

Do not tighten the TWIST-LOCK® FASTENERS in this step.

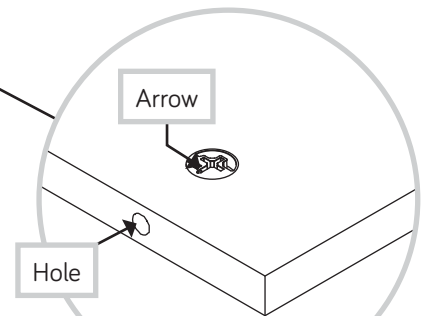
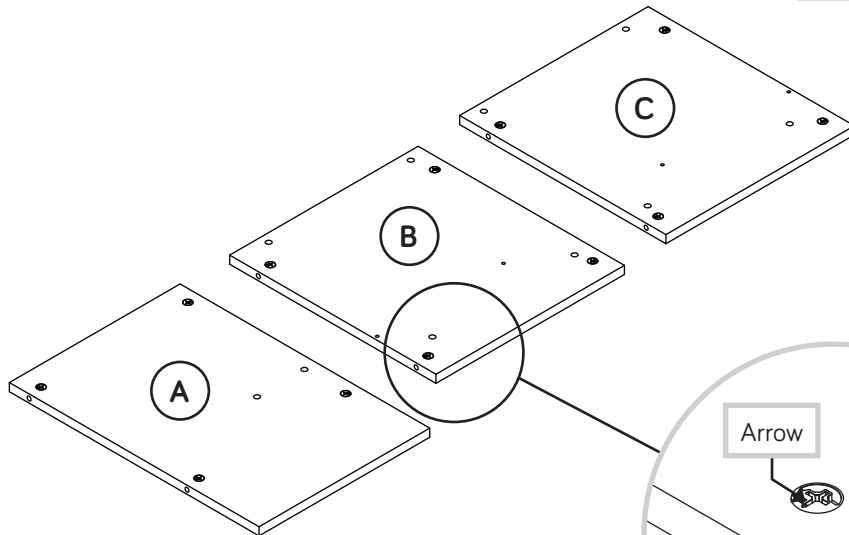
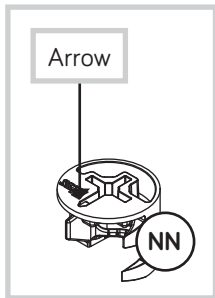
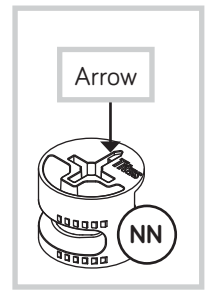
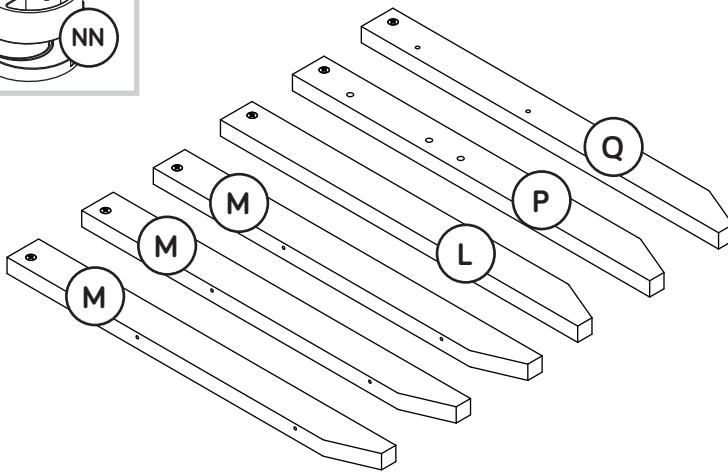


# Step 2

- Push eighteen HIDDEN CAMS (NN) into the ENDS (A and B), LEFT UPRIGHT (C), and LEGS (L, M, P, and Q).



Do not tighten the HIDDEN CAMS in this step.

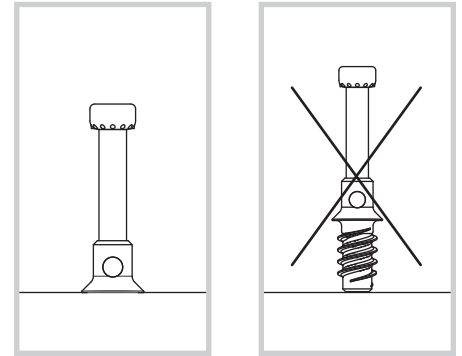


The arrow in the HIDDEN CAM must point toward the hole in the edge of the board.

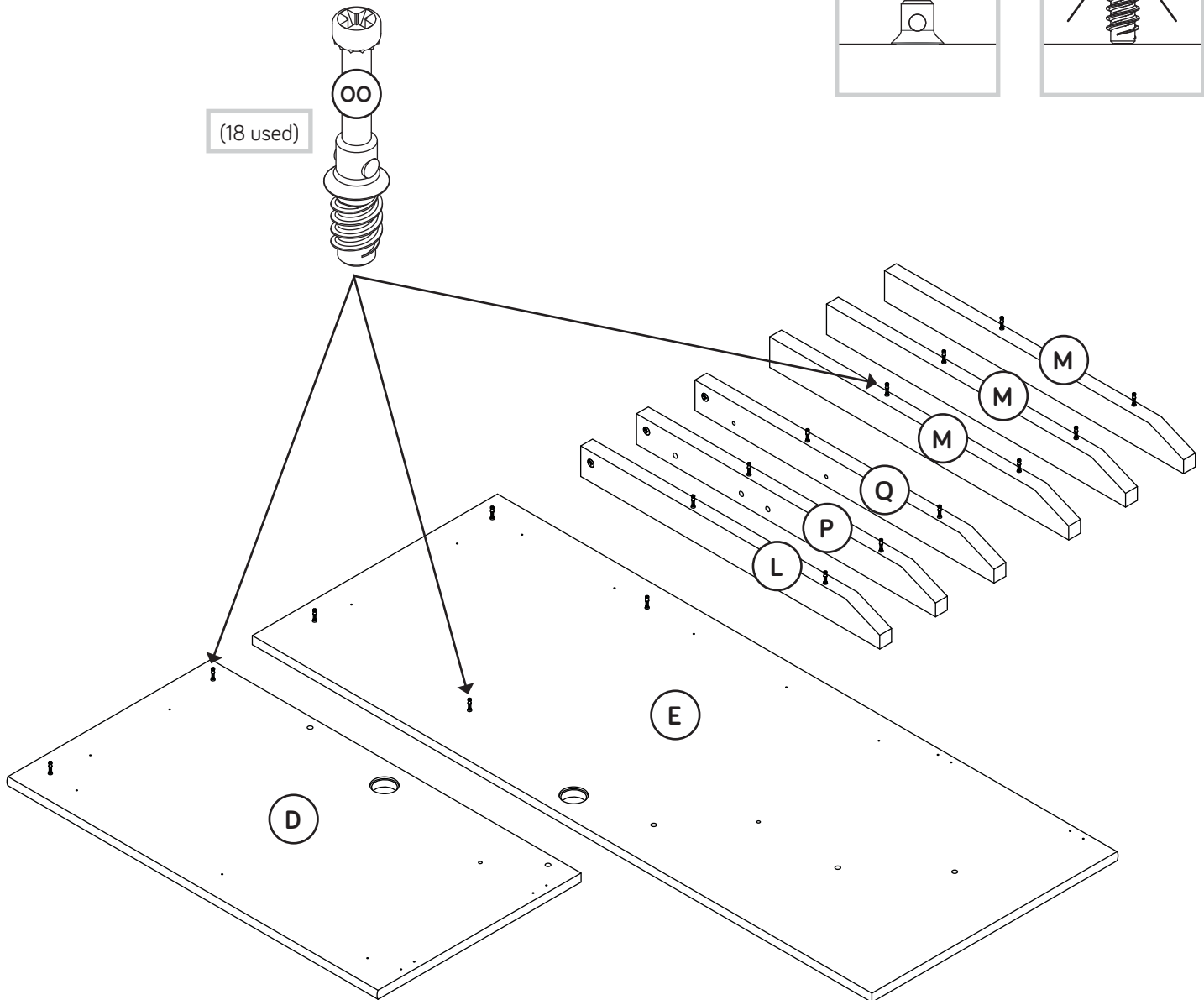
# Step 3



Turn eighteen CAM SCREWS (OO) into the TOPS (D and E) and LEGS (L, M, P, and Q).

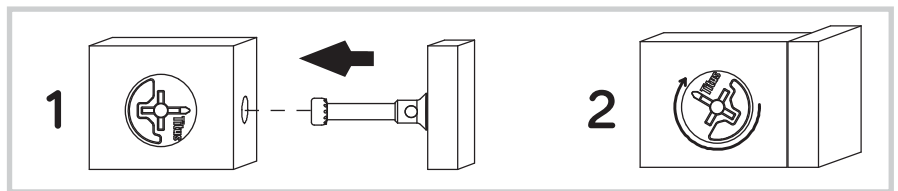
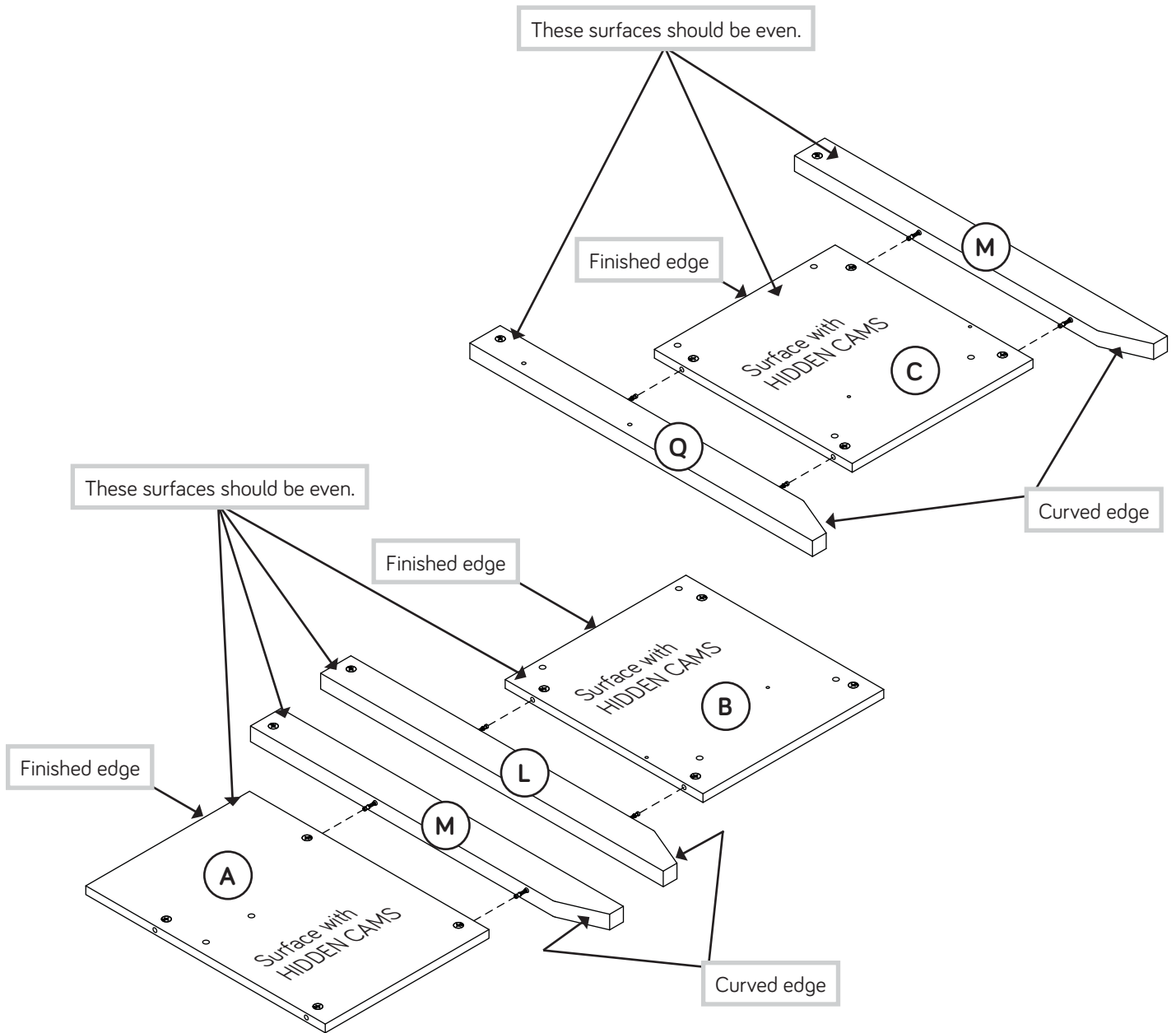


(18 used)



# Step 4

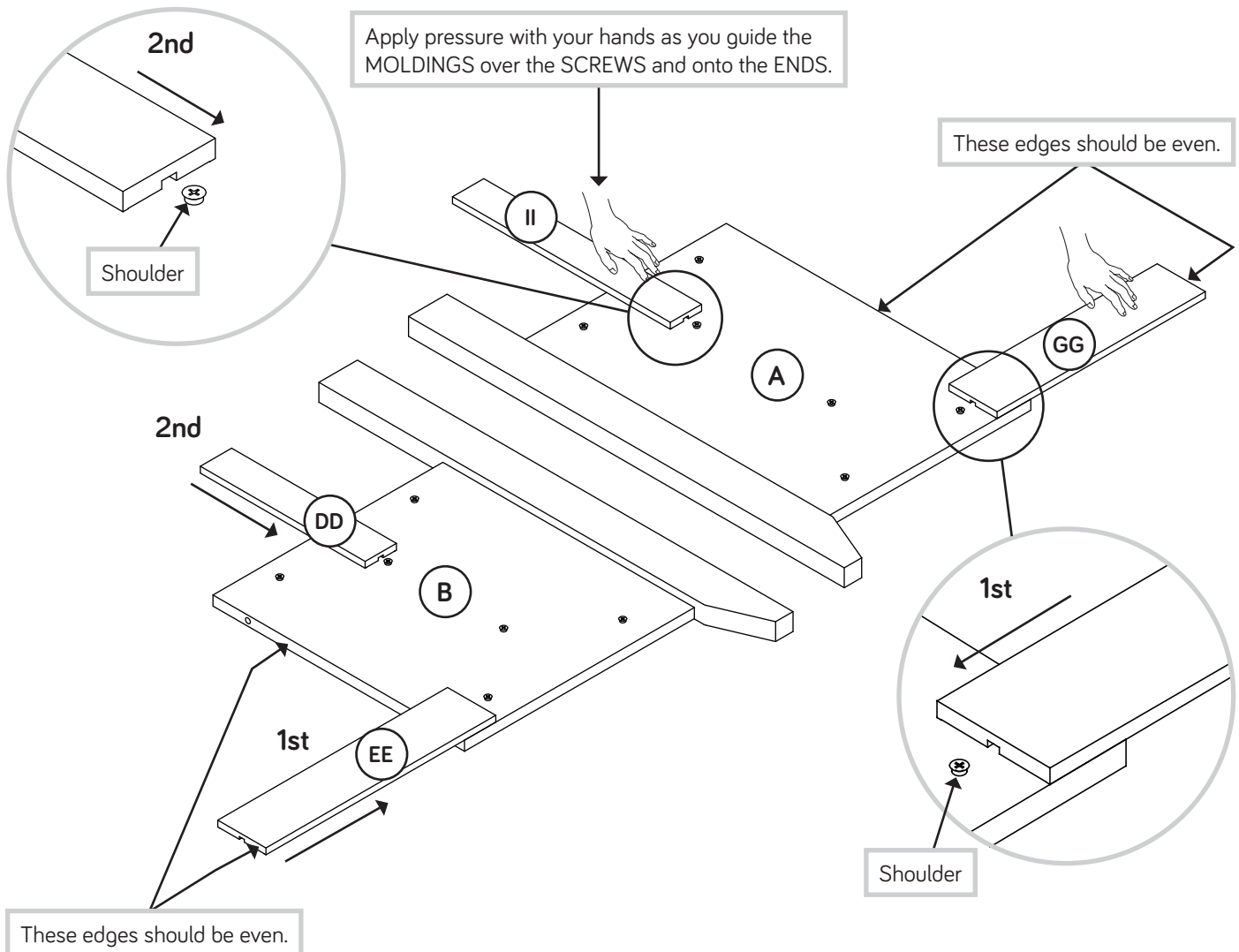
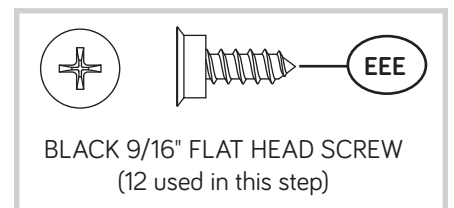
- Fasten the LEGS (L, M, and Q) to the ENDS (A and B) and LEFT UPRIGHT (C). Tighten eight HIDDEN CAMS.





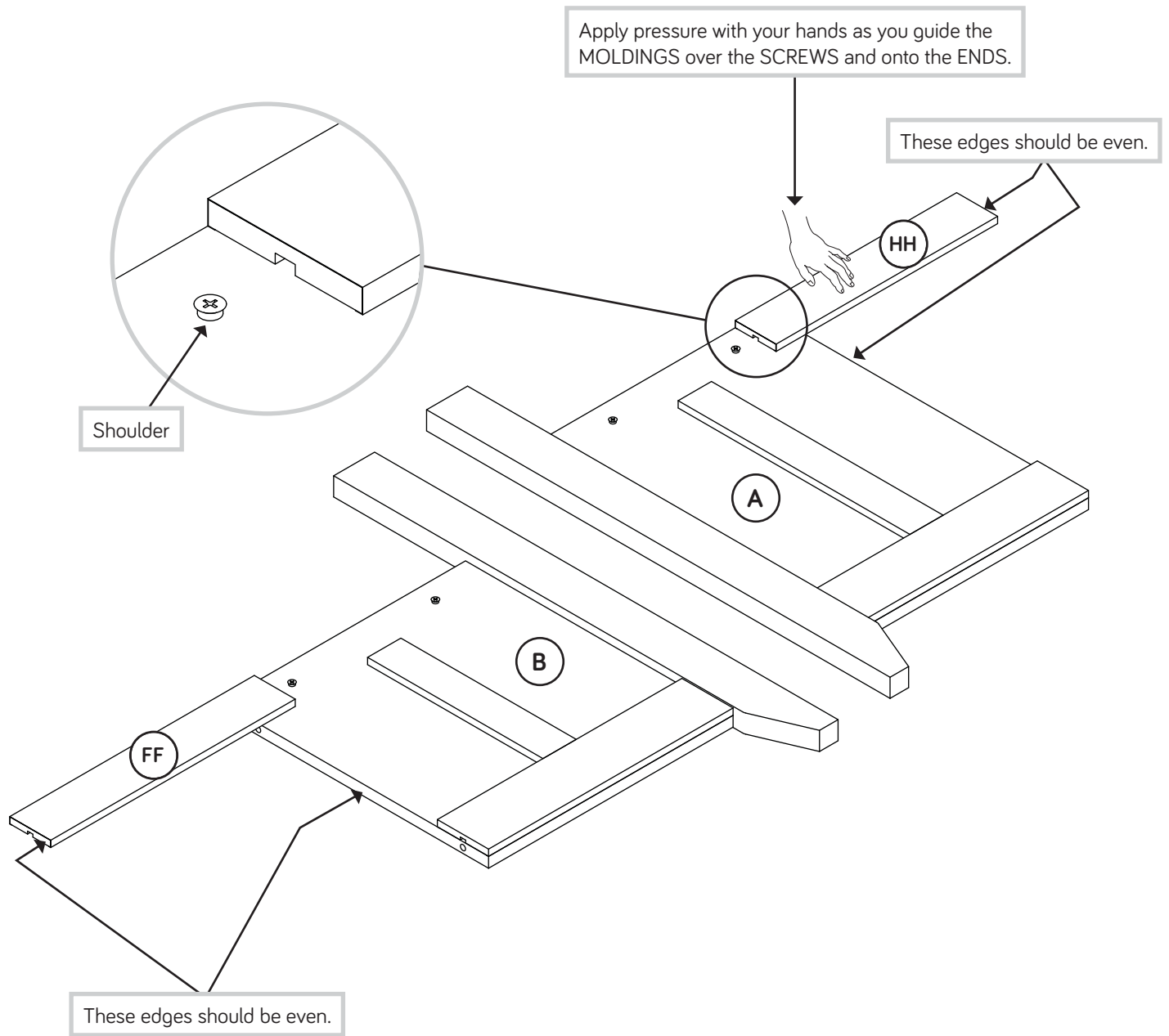
# Step 5

- ✚ Carefully turn the ENDS (A and B) over.
- ✚ Turn twelve BLACK 9/16" FLAT HEAD SCREWS (EEE) into the ENDS (A and B) until the shoulders of the SCREWS rest on the surfaces of the ENDS.
- ✚ First, slide the LOWER MOLDINGS (EE and GG) onto the ENDS (A and B). Line up the grooves in the MOLDINGS over the heads of the SCREWS in the ENDS.
- ✚ Second, slide the END MOLDINGS (DD and II) onto the ENDS (A and B) until they are against the LOWER MOLDINGS. Line up the grooves in the MOLDINGS over the heads of the SCREWS in the ENDS.



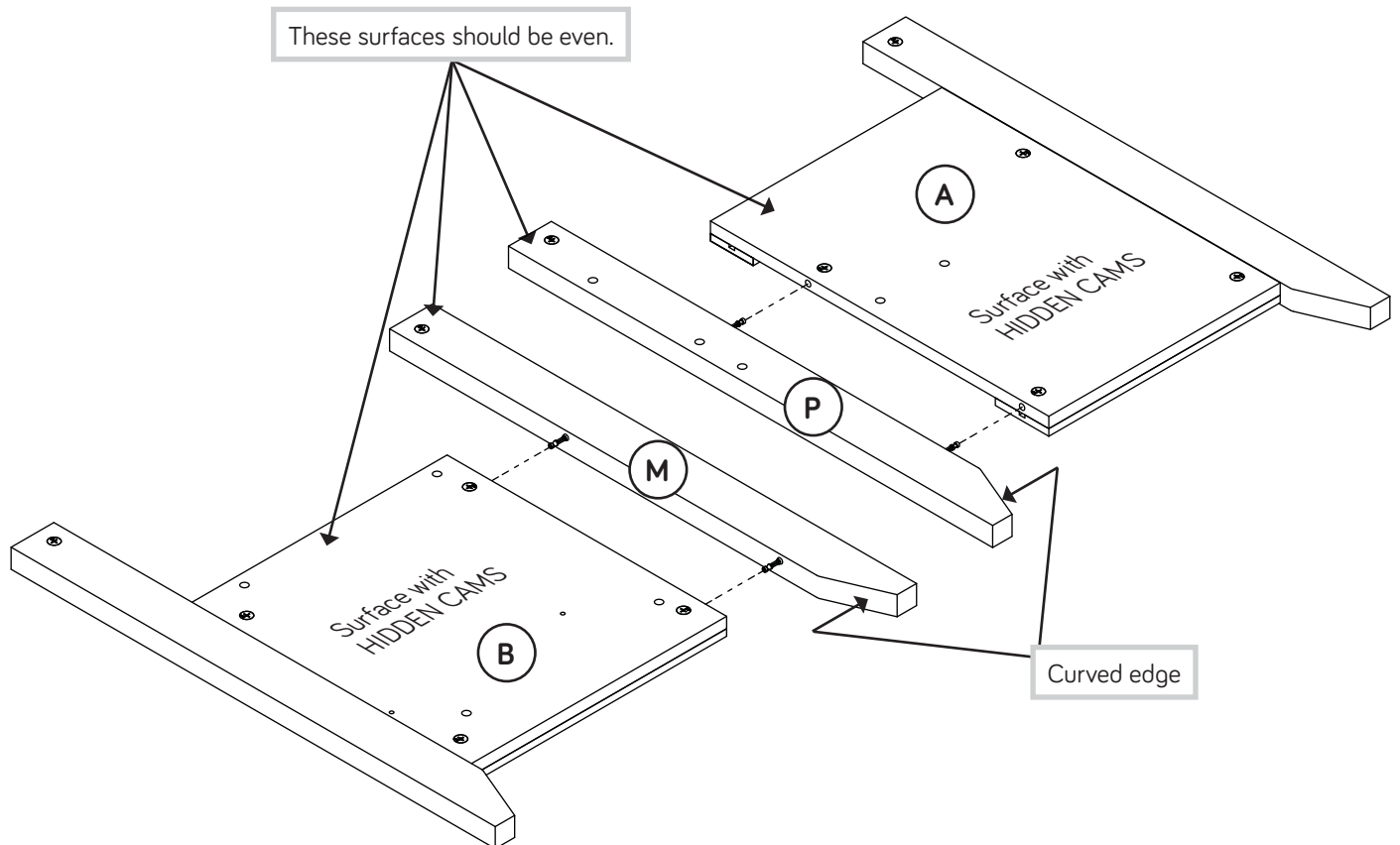
# Step 6

- Slide the UPPER MOLDINGS (FF and HH) onto the ENDS (A and B). Line up the grooves in the MOLDINGS over the heads of the SCREWS in the ENDS.



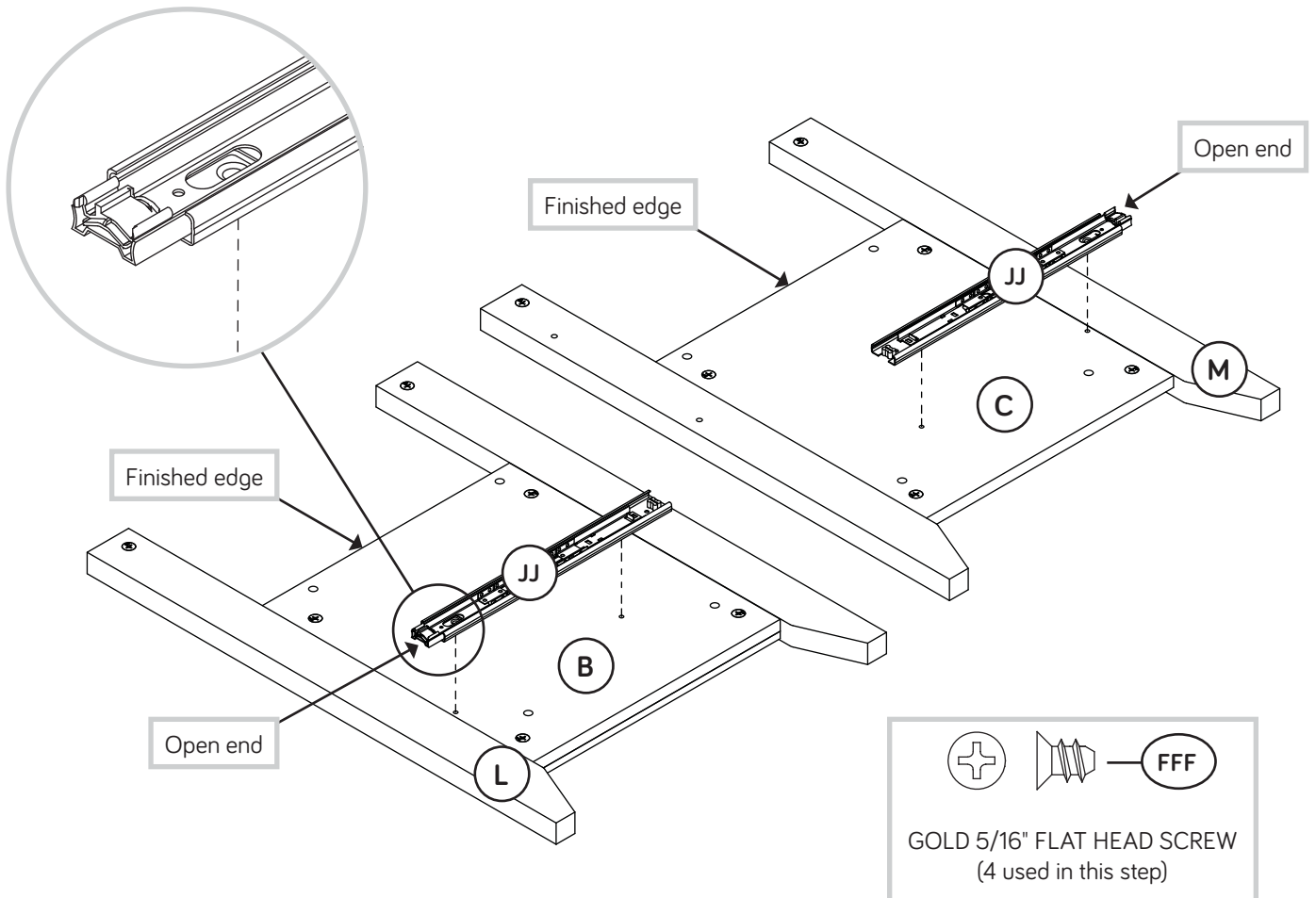
# Step 7

- ✚ Carefully turn the ENDS (A and B) over.
- ✚ Fasten the REAR LEGS (M and P) to the ENDS (A and B).  
Tighten four HIDDEN CAMS.



# Step 8

- ✦ Separate the EXTENSION SLIDES (KK) from the EXTENSION RAILS (JJ) as shown in the upper diagram below. Be prepared, the parts are greasy.
- ✦ Fasten the EXTENSION RAILS (JJ) to the LEFT END (B) and LEFT UPRIGHT (C). Use four GOLD 5/16" FLAT HEAD SCREWS (FFF).
- ✦ **NOTE:** For each EXTENSION RAIL, turn a SCREW into the hole shown in the enlarged diagram. Then, slide the inner cartridge of the EXTENSION RAIL out to find the other hole that lines up with the hole in the END. Turn a SCREW into this hole.



# Step 9

- Fasten the BOTTOM (F) and SHELF (J) to the LEFT END (B).  
Tighten four TWIST-LOCK® FASTENERS.

## ⚠ Caution

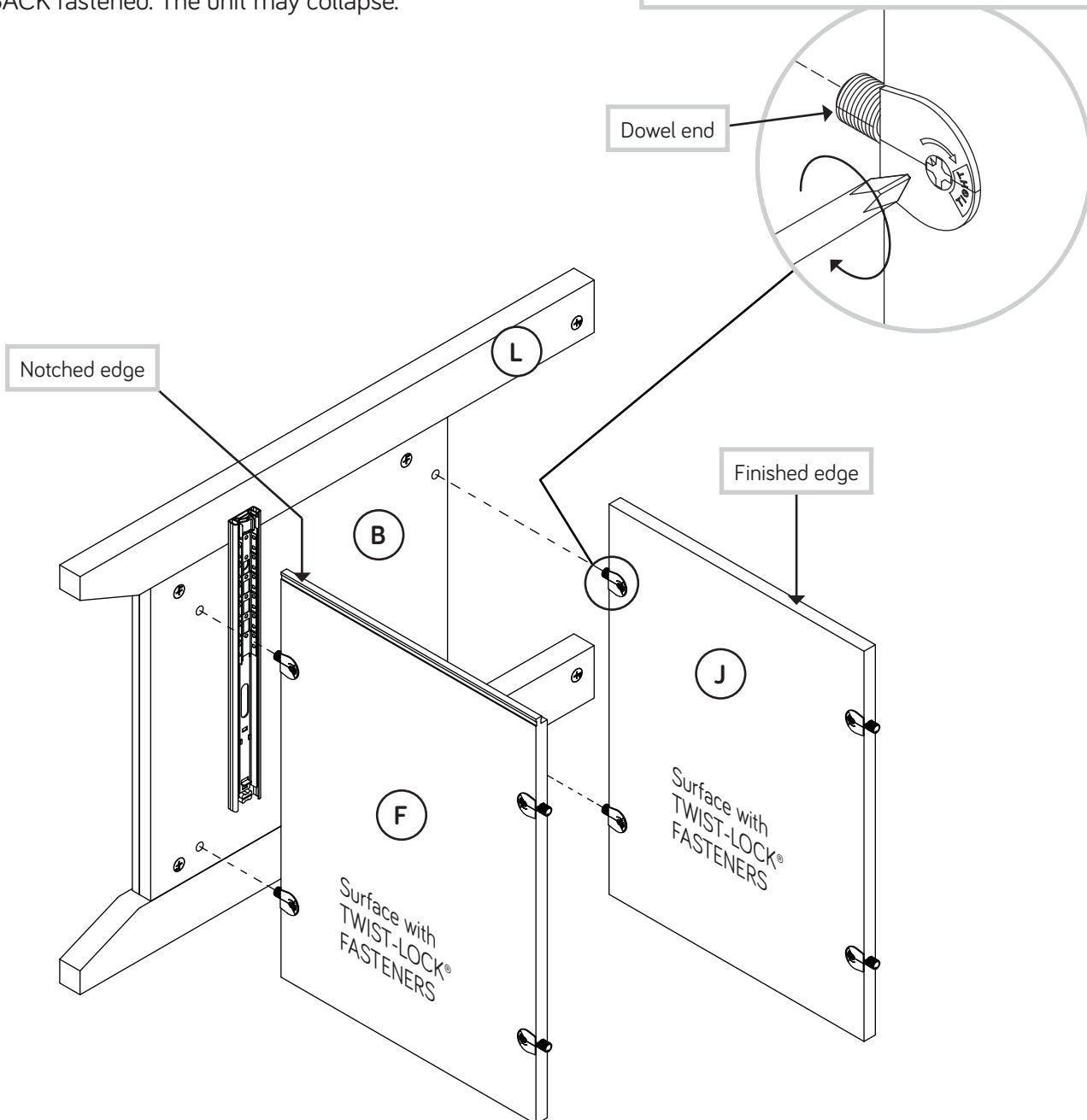
Do not stand the unit upright without the BACK fastened. The unit may collapse.

### How to use the SAUDER TWIST-LOCK® FASTENER

1. Insert the dowel end of the FASTENER into the hole of the adjoining part.

**NOTE:** The dowel end of the FASTENER must remain fully inserted in the hole of the adjoining part while locking the FASTENER.

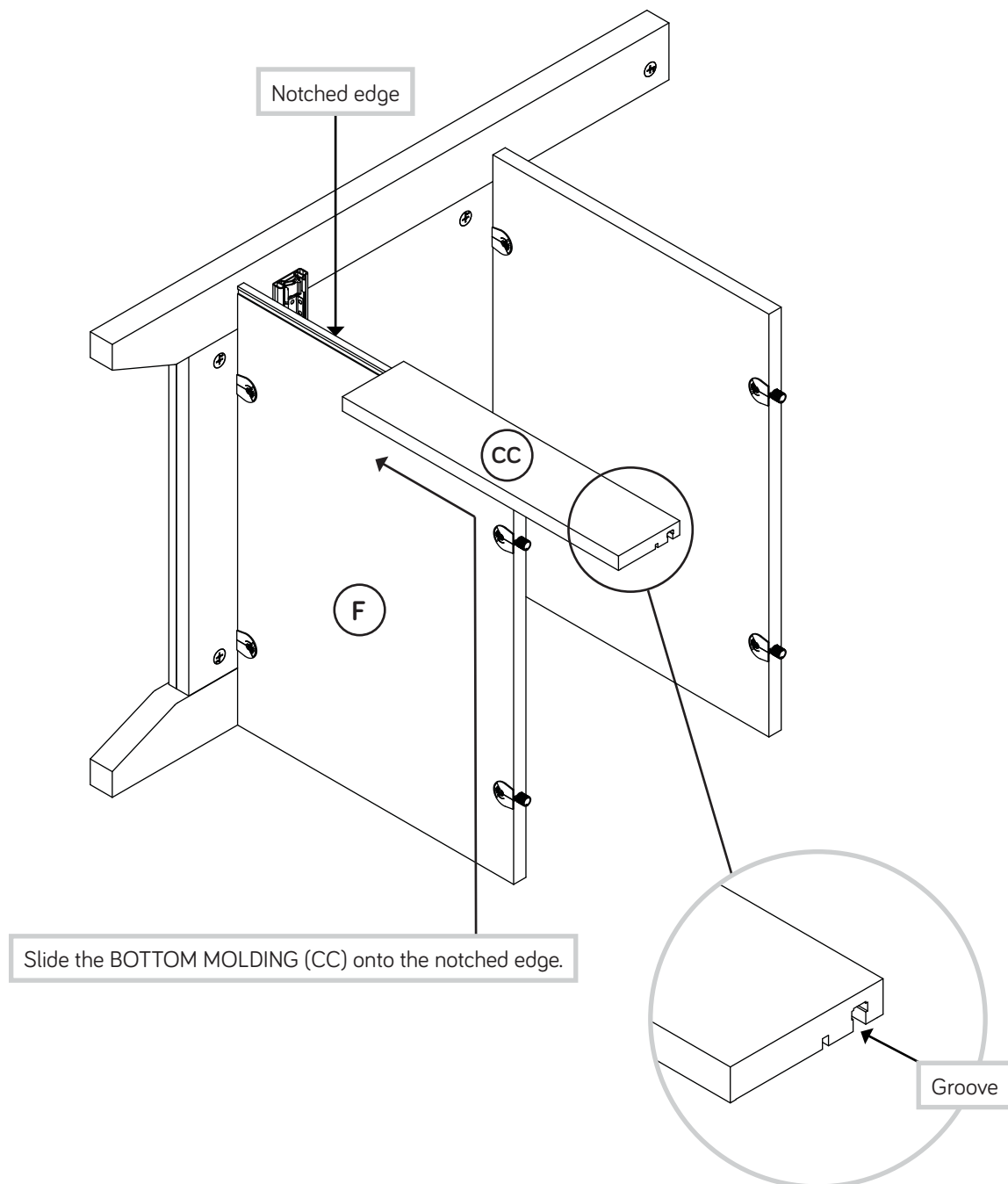
2. Tighten the FASTENER with a Phillips screwdriver as tight as possible.



# Step 10

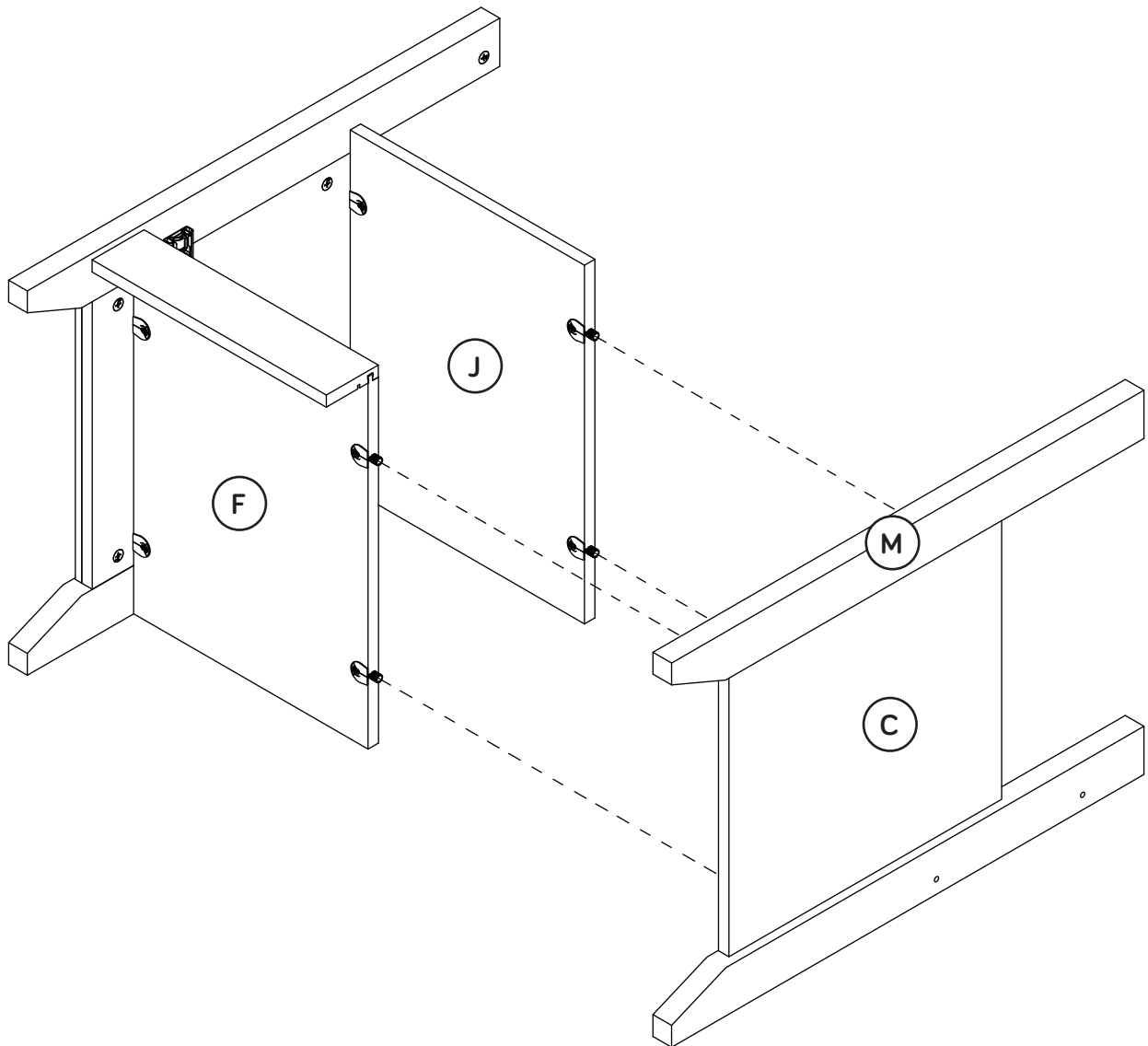
Slide the BOTTOM MOLDING\* (CC) onto the notched edge of the BOTTOM (F).

\*U.S. Patent No. 5,499,886



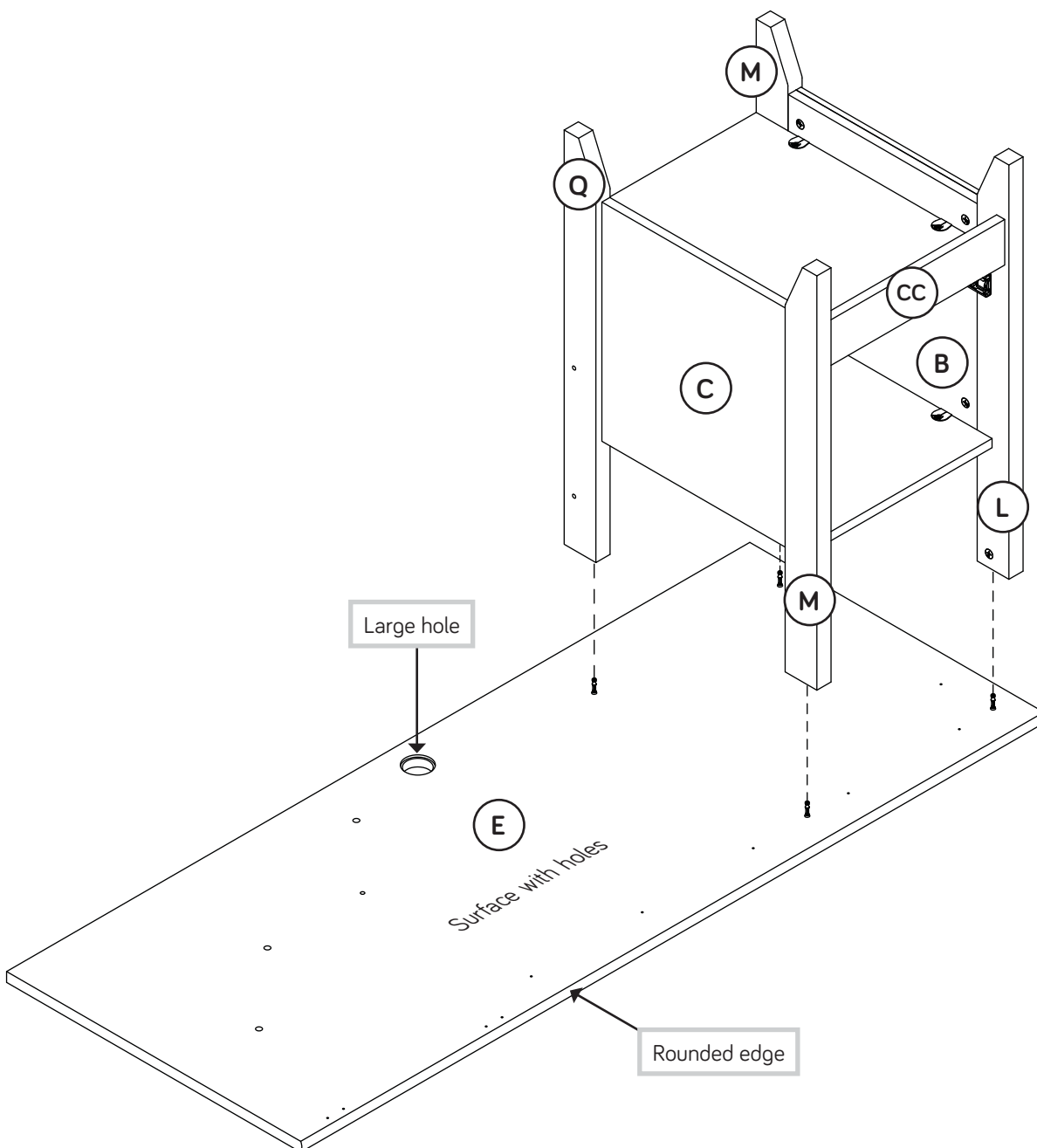
# Step 11

- Fasten the BOTTOM (F) and SHELF (J) to the LEFT UPRIGHT (C). Tighten four TWIST-LOCK® FASTENERS.



# Step 12

- ⚡ Carefully turn your unit onto its top.
- ⚡ Fasten the LEGS (L, M, and Q) to the LEFT TOP (E).  
Tighten four HIDDEN CAMS.





# Step 13

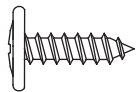
Fasten seven ANGLE BRACKETS (PP) to the LEFT TOP (E).  
Use seven BLACK 9/16" LARGE HEAD SCREWS (DDD).

Fasten the MOLDINGS (X, Z, and AA) to the ANGLE BRACKETS on the LEFT TOP (E). Use seven BLACK 9/16" LARGE HEAD SCREWS (DDD).

**NOTE:** There are no pre-drilled holes in the MOLDINGS. The SCREWS will tighten into the grooves.

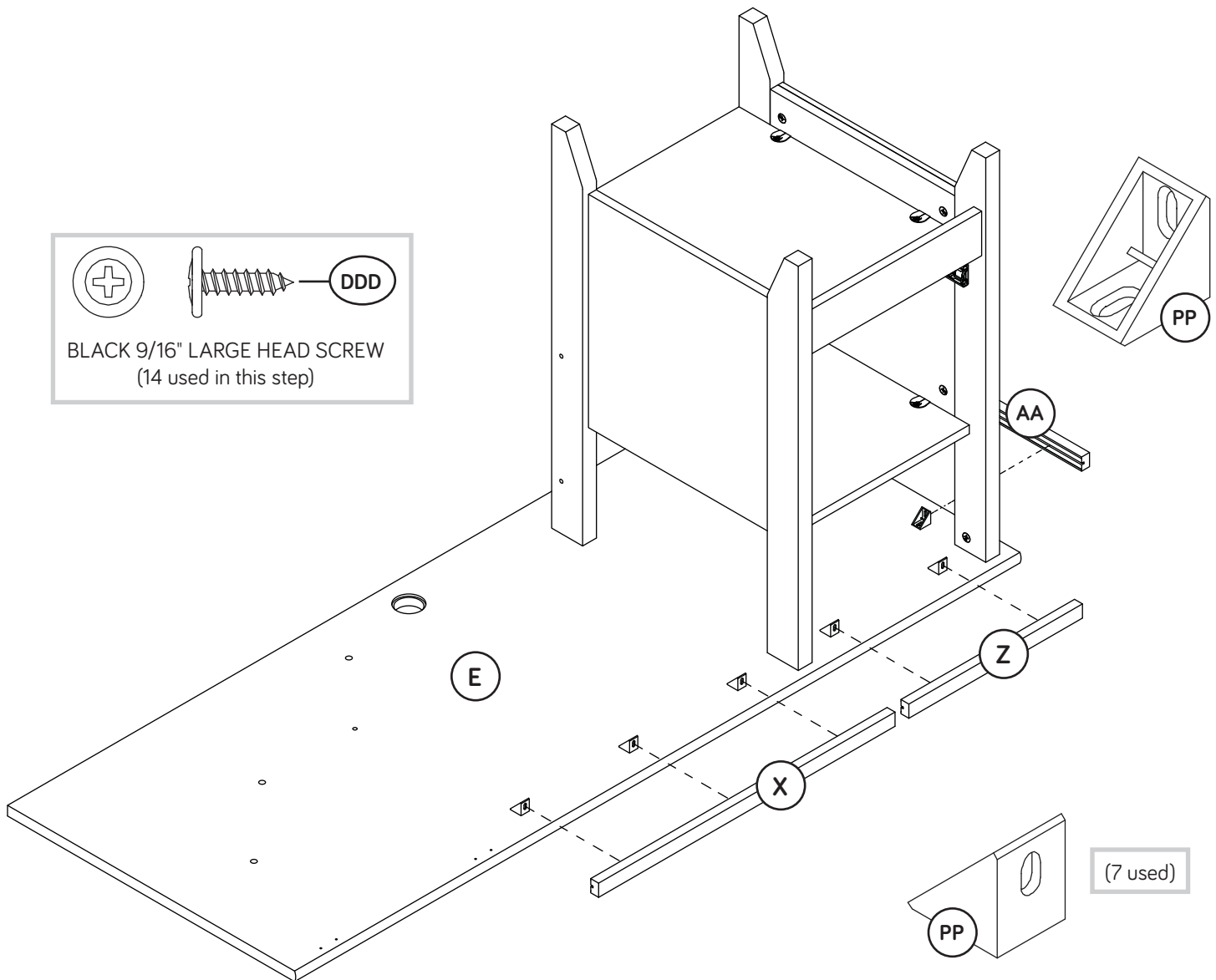


Don't worry. It isn't Rome. This can be built in a day.



DDD

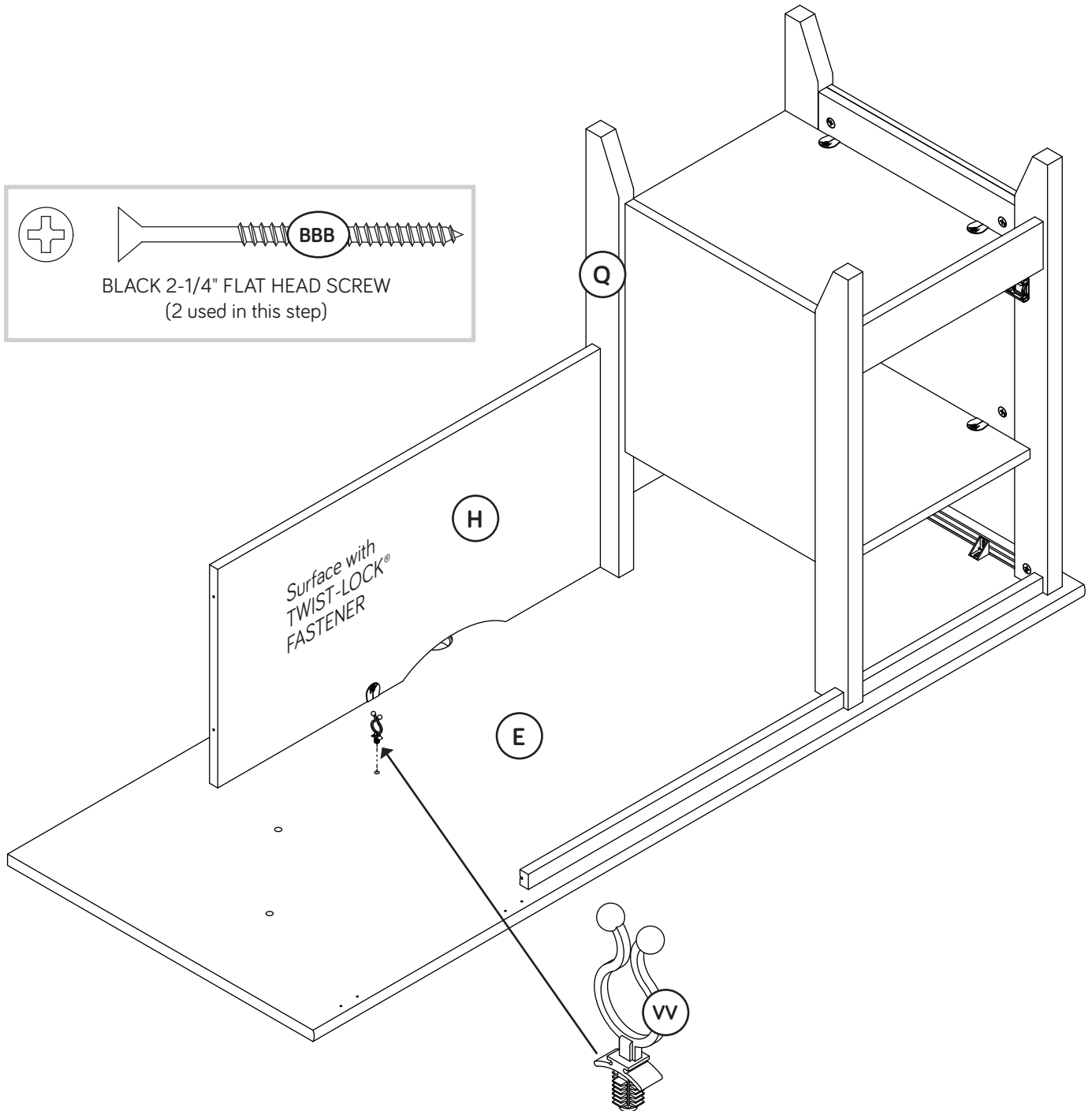
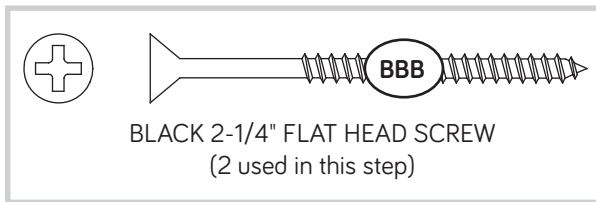
BLACK 9/16" LARGE HEAD SCREW  
(14 used in this step)



(7 used)

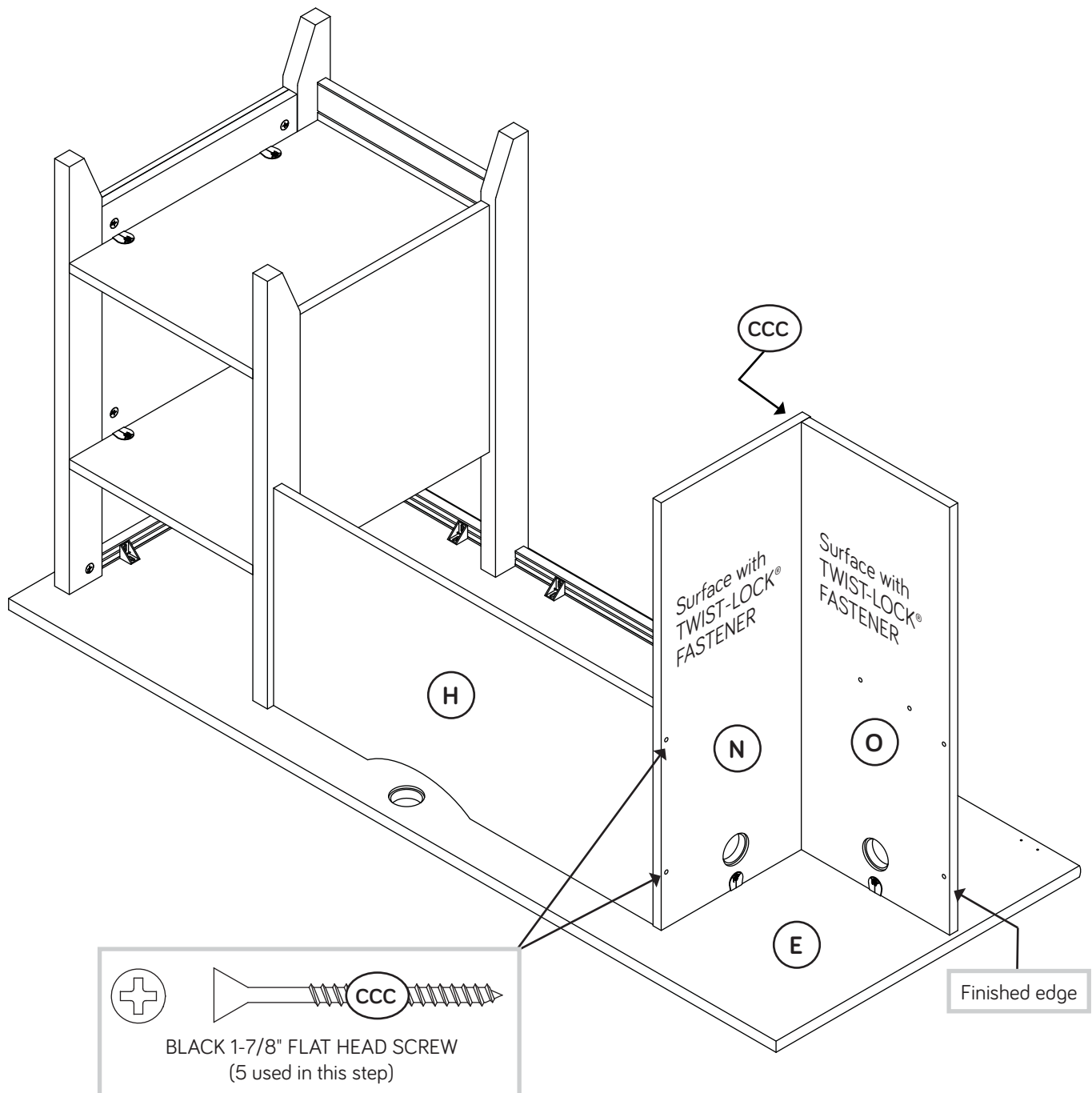
# Step 14

- ✚ Fasten the LEFT MODESTY PANEL (H) to the LEFT TOP (E). Tighten a TWIST-LOCK® FASTENER.
- ✚ Fasten the LEFT MODESTY PANEL (H) to the BACK LEG (Q). Use two BLACK 2-1/4" FLAT HEAD SCREWS (BBB).
- ✚ Turn a CORD CLIP (VV) into the LEFT TOP (E).
- ✚ NOTE: The CORD CLIP is used to hold your cords against the TOP.



# Step 15

- ✚ Fasten the CORNER LEGS (N and O) to the LEFT TOP (E). Tighten two TWIST-LOCK® FASTENERS.
- ✚ Fasten the LEFT CORNER LEG (N) to the LEFT MODESTY PANEL (H) and RIGHT CORNER LEG (O). Use five BLACK 1-7/8" FLAT HEAD SCREWS (CCC).

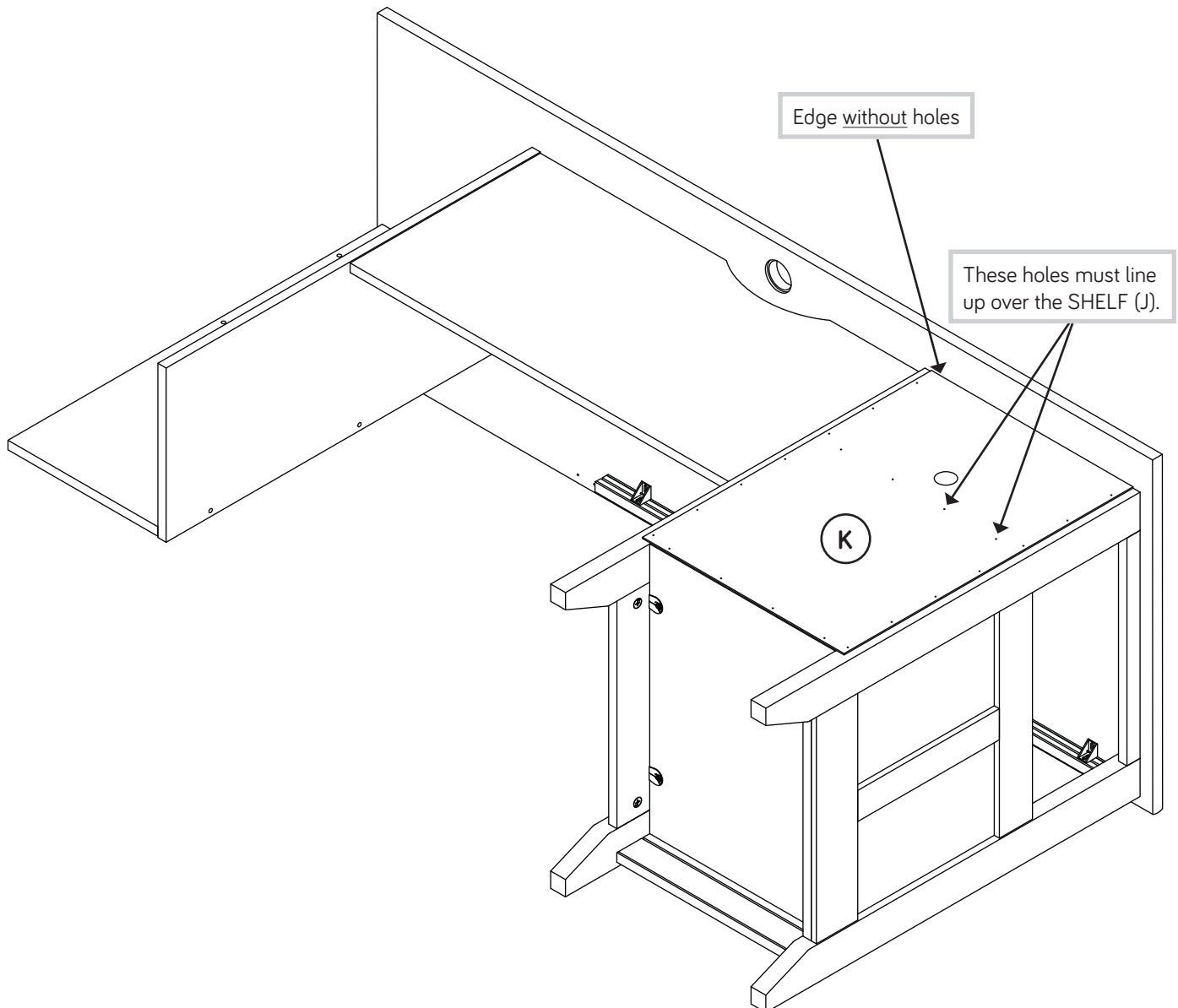
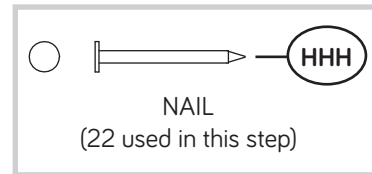


# Step 16

- ✚ Carefully turn your unit over onto its front edges. Lay the BACK (K) over your unit.
- ✚ Make equal margins along all four edges of the BACK (K). Push on opposite corners of your unit if needed to make it "square".
- ✚ Fasten the BACK (K) to your unit using the NAILS (HHH).
- ✚ NOTE: Be sure to tap NAILS into the holes that line up over the SHELF (J).
- ✚ NOTE: Perforations have been provided for access through the BACK. Carefully cut out the holes needed.

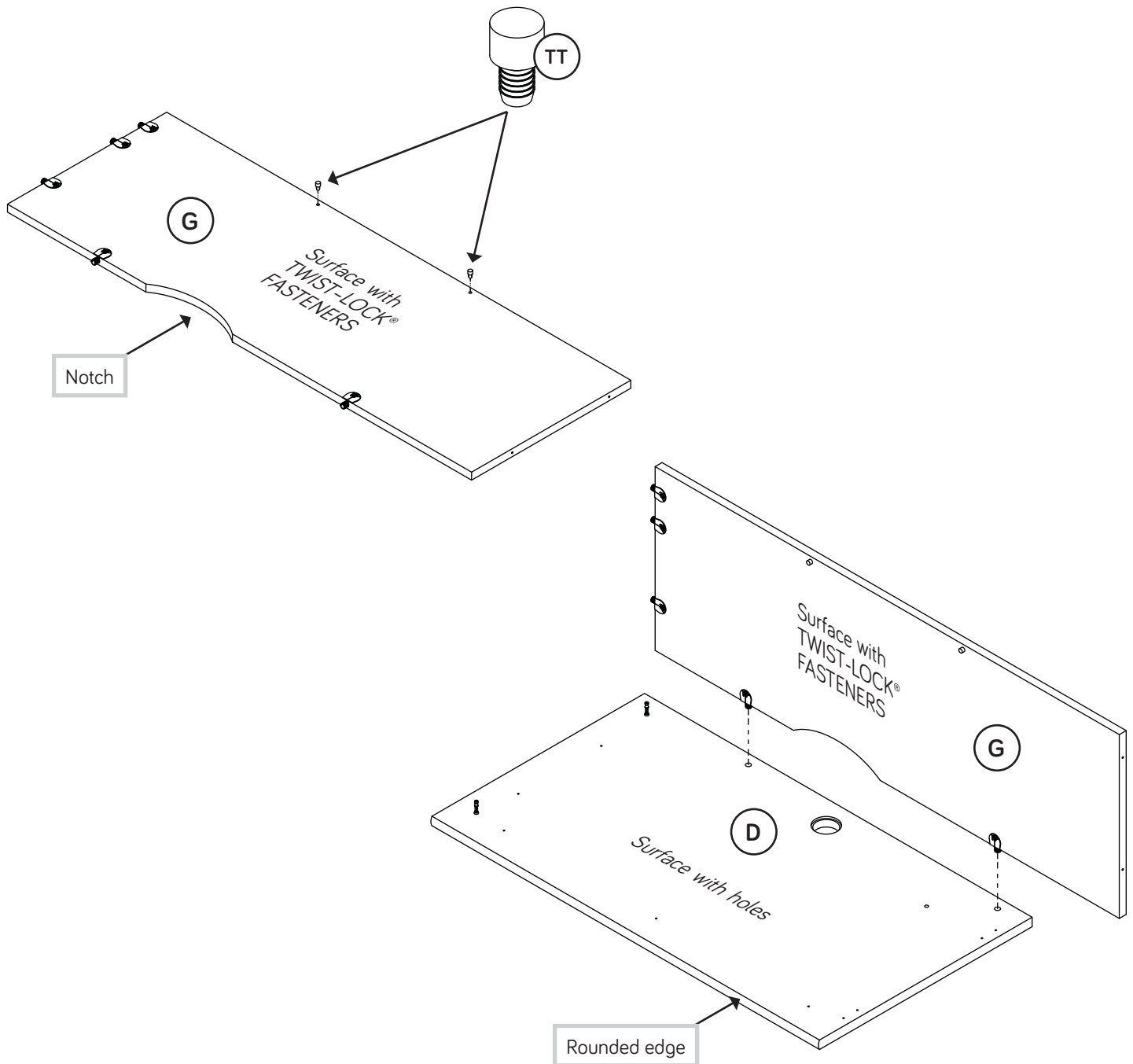
## ⚠ Caution

Do not stand the unit upright without the BACK fastened. The unit may collapse.



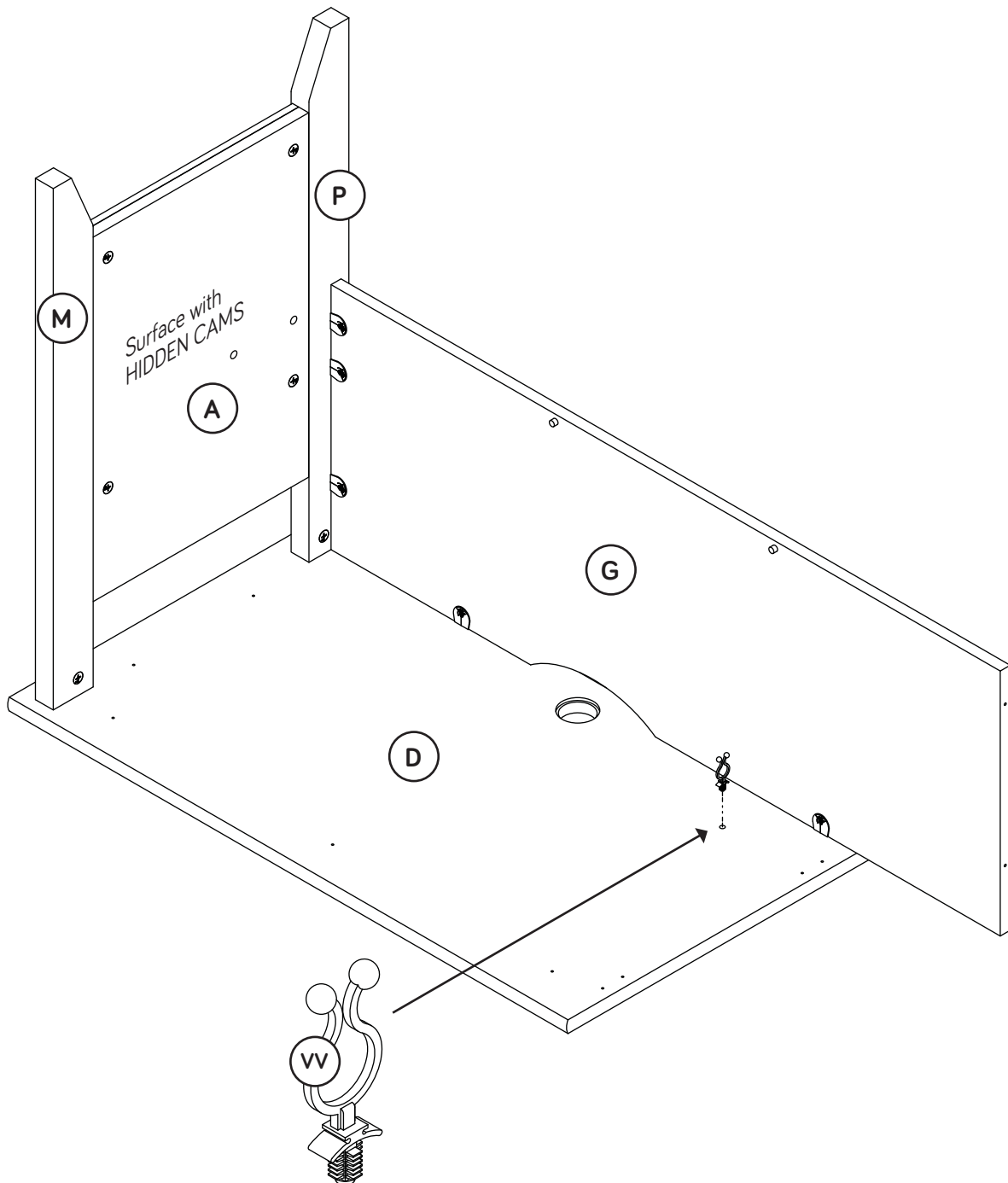
# Step 17

- ✚ With your hammer, gently tap two SUPPORT PINS (TT) into the RIGHT MODESTY PANEL (G).
- ✚ Fasten the RIGHT MODESTY PANEL (G) to the RIGHT TOP (D). Tighten two TWIST-LOCK® FASTENERS.



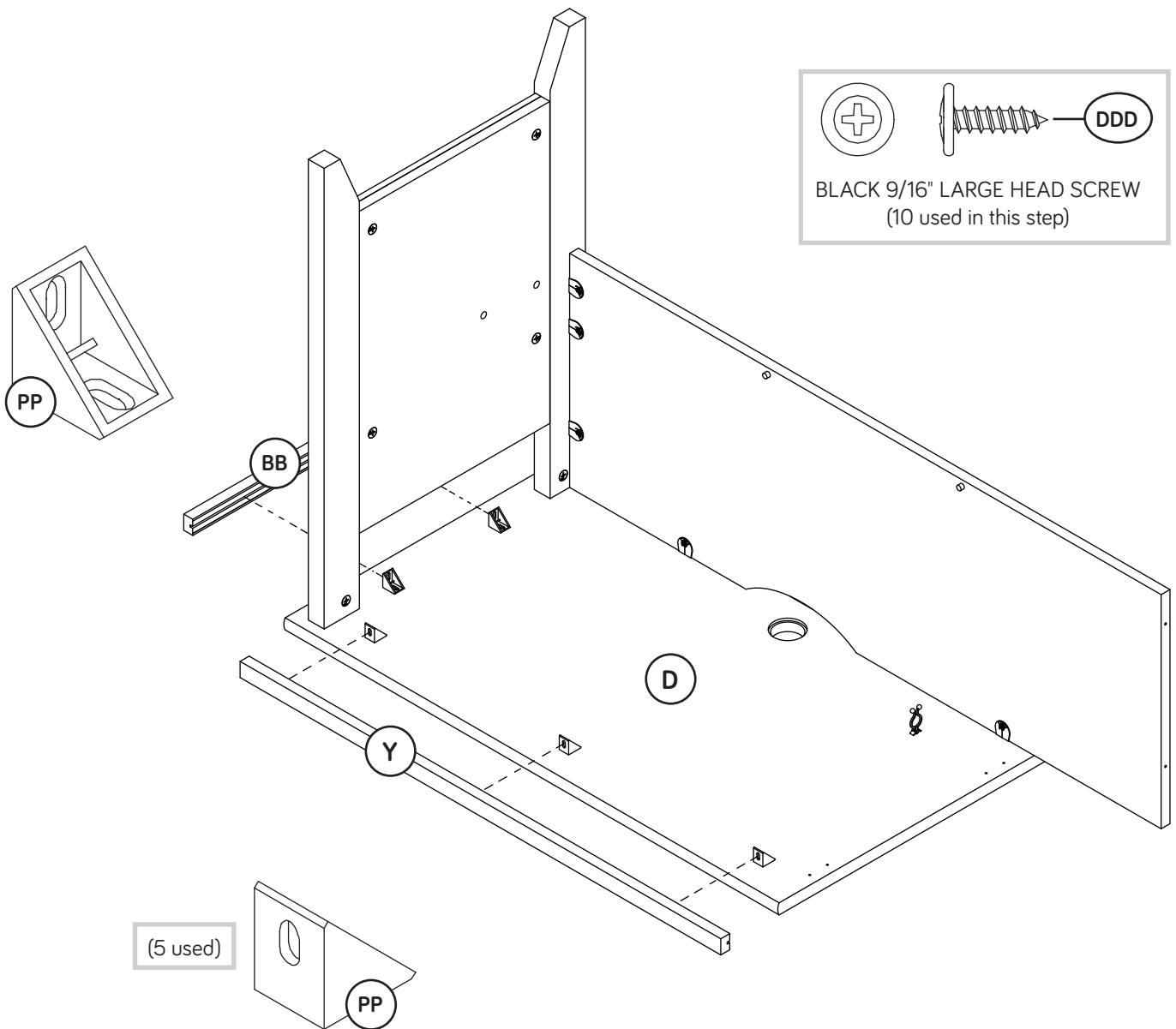
# Step 18

- Fasten the LEGS (M and P) on the RIGHT END (A) to the RIGHT TOP (D). Tighten two HIDDEN CAMS.
  - Fasten the RIGHT MODESTY PANEL (G) to the RIGHT REAR LEG (P). Tighten three TWIST-LOCK® FASTENERS.
  - Turn a CORD CLIP (VV) into the RIGHT TOP (D).
- NOTE:** The CORD CLIP is used to hold your cords against the TOP.



# Step 19

- Fasten five ANGLE BRACKETS (PP) to the RIGHT TOP (D). Use five BLACK 9/16" LARGE HEAD SCREWS (DDD).
- Fasten the MOLDINGS (Y and BB) to the ANGLE BRACKETS on the RIGHT TOP (D). Use five BLACK 9/16" LARGE HEAD SCREWS (DDD).
- NOTE:** There are no pre-drilled holes in the MOLDINGS. The SCREWS will tighten into the grooves.



# Step 20

- With someone's help, carefully stand your units upright.
- Fasten the TIE PLATES (QQ) to the LEFT TOP (E). Use four BLACK 9/16" LARGE HEAD SCREWS (DDD).
- Fasten the RIGHT TOP (D) to the LEFT TOP (E). Use four BLACK 9/16" LARGE HEAD SCREWS (DDD) through the TIE PLATES and into the RIGHT TOP.
- Fasten the RIGHT MODESTY PANEL (G) to the RIGHT CORNER LEG (O). Use two BLACK 1-7/8" FLAT HEAD SCREWS (CCC).

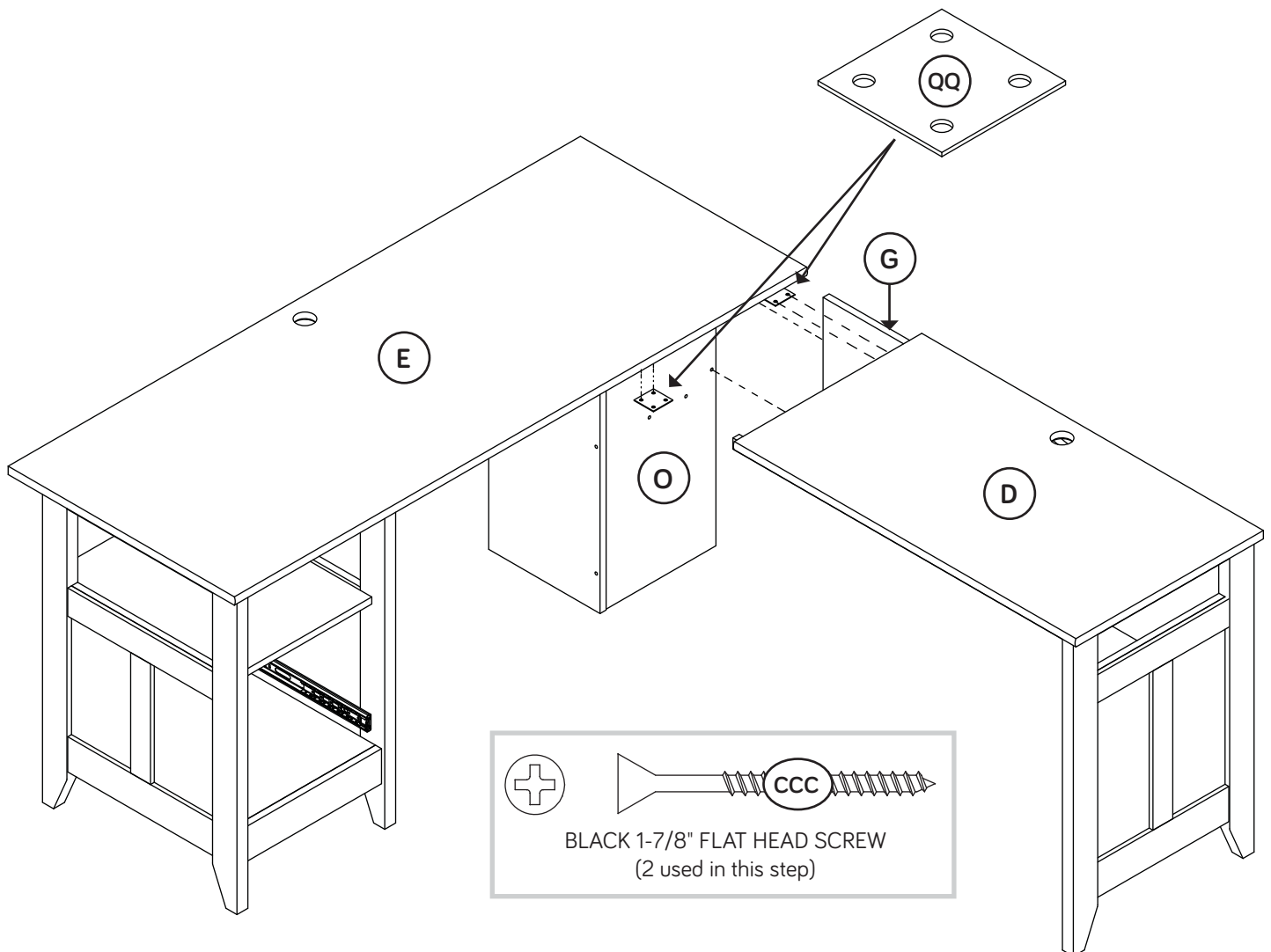


Pro Tip: Lift with your legs. And, you know, your arms.



DDD

BLACK 9/16" LARGE HEAD SCREW  
(8 used for the TIE PLATES)



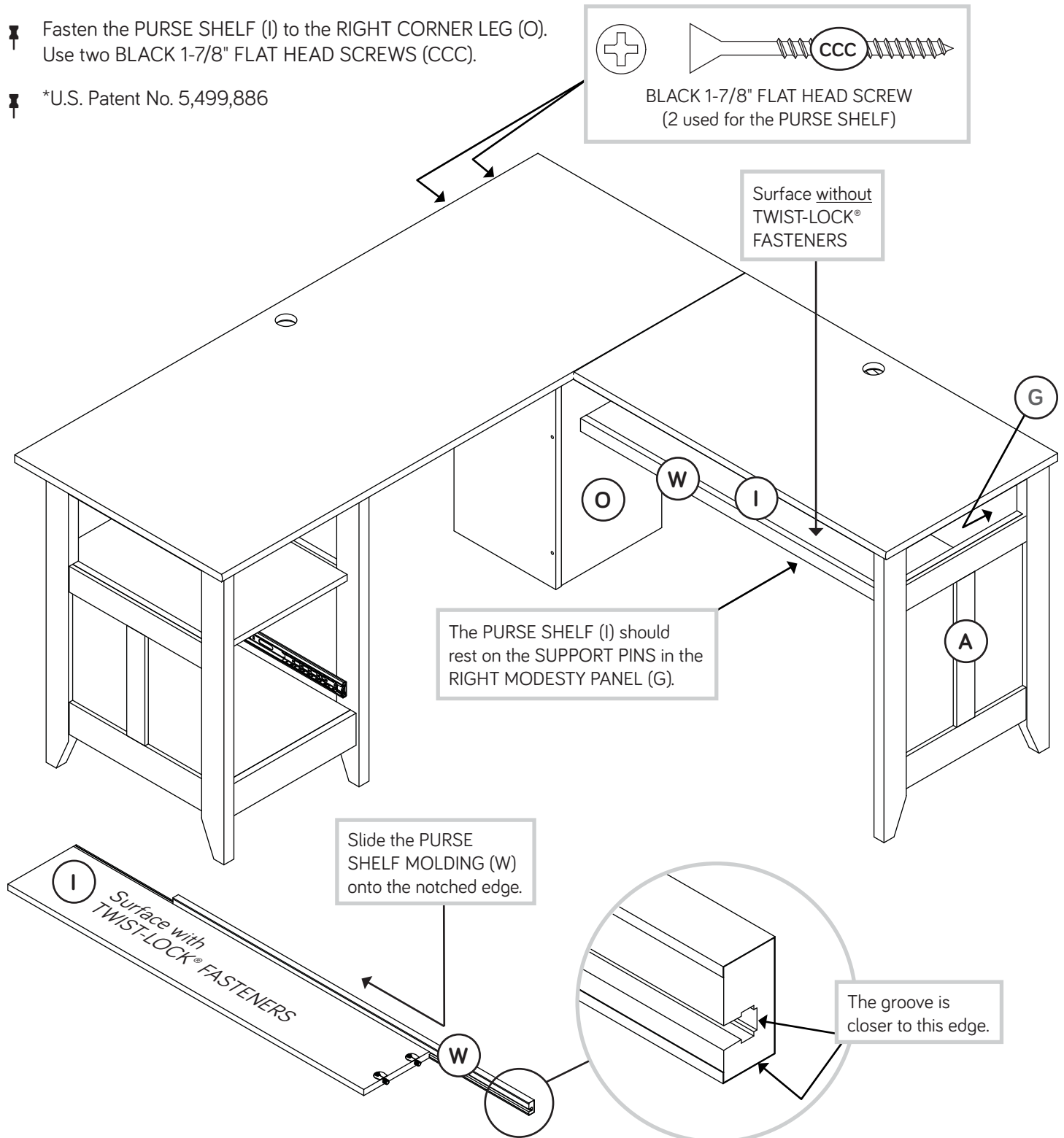
CCC

BLACK 1-7/8" FLAT HEAD SCREW  
(2 used in this step)



# Step 21

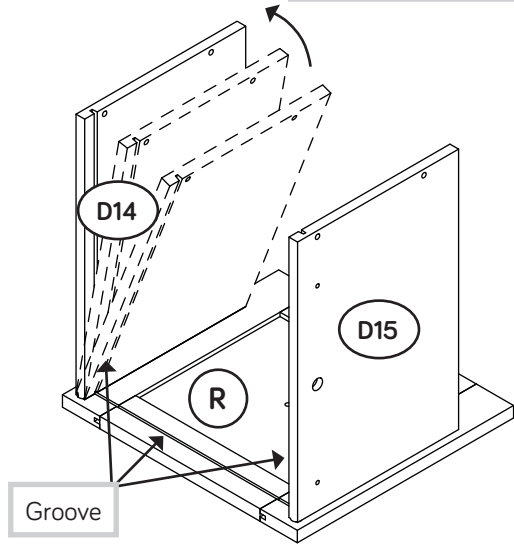
- Slide the PURSE SHELF MOLDING\* (W) onto the notched edge of the PURSE SHELF (I).
- Fasten the PURSE SHELF (I) to the RIGHT END (A). Tighten two TWIST-LOCK® FASTENERS.
- Fasten the PURSE SHELF (I) to the RIGHT CORNER LEG (O). Use two BLACK 1-7/8" FLAT HEAD SCREWS (CCC).
- \*U.S. Patent No. 5,499,886



# Step 22

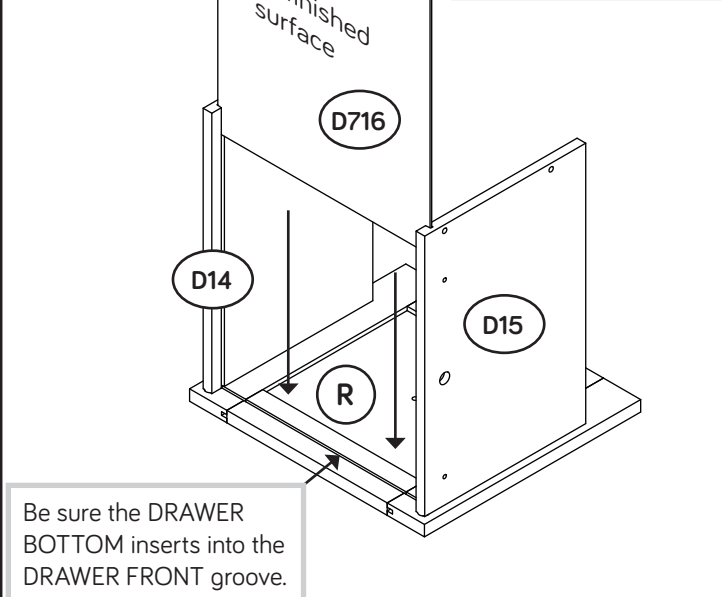
1

The tabs should insert freely into the slots. Gently tilt the DRAWER SIDES side to side until the tabs slip into the slots.



2

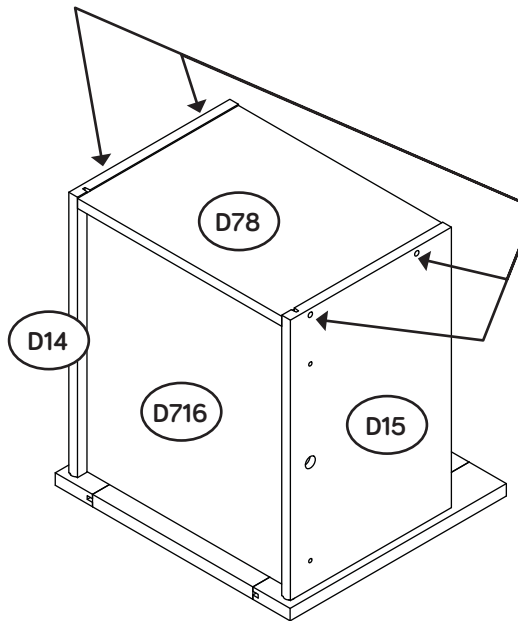
With the palm of your hand, tap the DRAWER BOTTOM down into the groove.



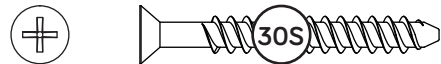
✚ Insert the DRAWER SIDES (D14 and D15) at an angle into the slot at each end of the DRAWER FRONT (R).

✚ Slide the DRAWER BOTTOM (D716) into the grooves in the DRAWER SIDES (D14 and D15) and DRAWER FRONT (R).

3



Start each screw a few turns before completely tightening any of them.



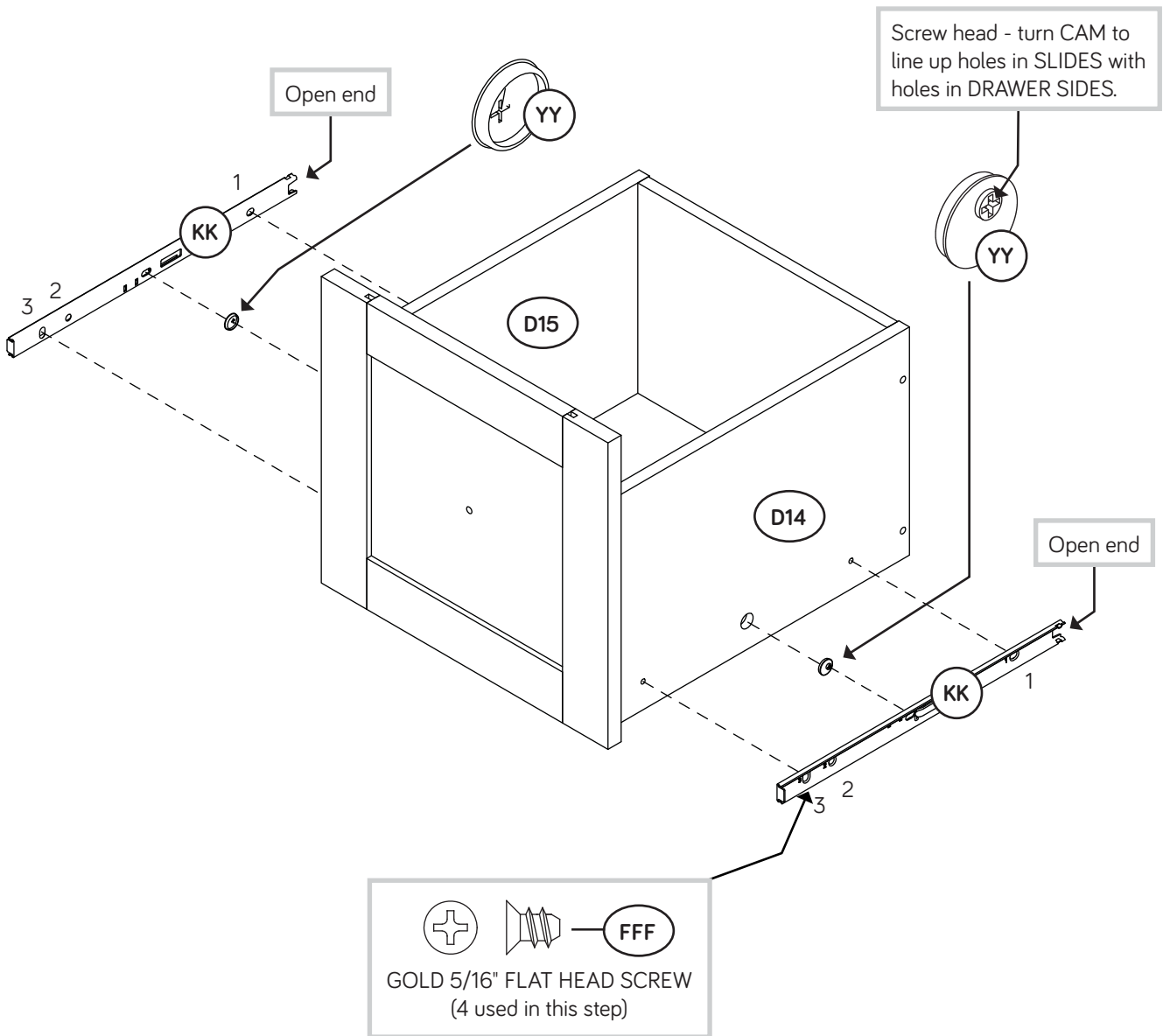
BLACK 1-9/16" FLAT HEAD SCREW  
(4 used in this step)

✚ Fasten the DRAWER BACK (D78) to the DRAWER SIDES (D14 and D15). Use four BLACK 1-9/16" FLAT HEAD SCREWS (30S).

✚ **NOTE:** Be sure the DRAWER BOTTOM (D716) inserts into the groove of the DRAWER BACK (D78).

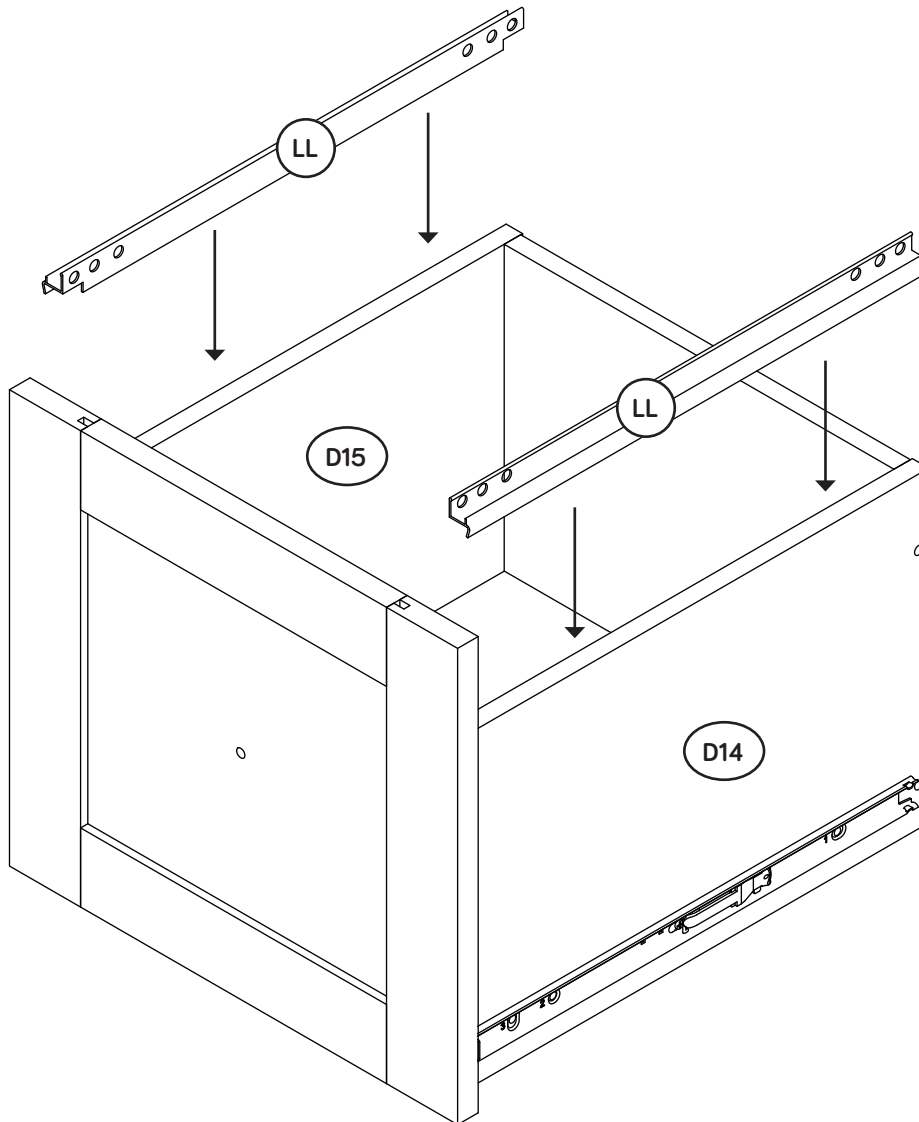
# Step 23

- ✚ Insert a SLIDE CAM (YY) into the DRAWER SIDES (D14 and D15).
- ✚ Fasten the EXTENSION SLIDES (KK) to the DRAWER SIDES (D14 and D15). Use four GOLD 5/16" FLAT HEAD SCREWS (FFF) through holes #1 and #3.
- ✚ **NOTE:** The screw head in the CAM must be visible through the slotted hole in the SLIDE.



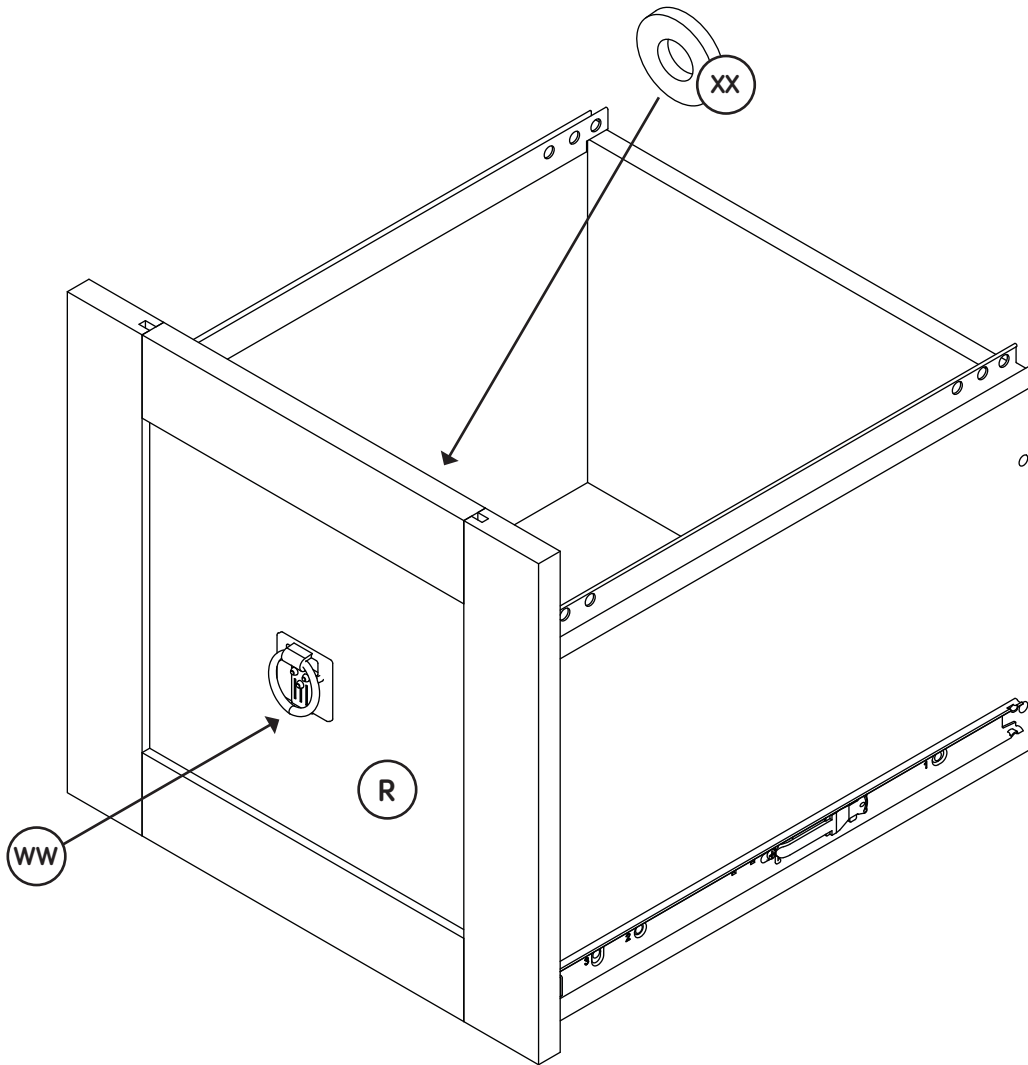
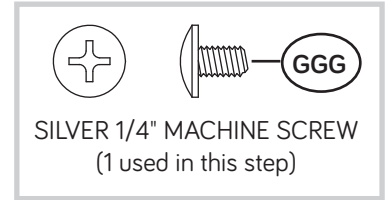
# Step 24

Push the FILE GLIDES (LL) onto the DRAWER SIDES (D14 and D15).



# Step 25

- Fasten the PULL (WW) to the DRAWER FRONT (R). Use a SILVER 1/4" MACHINE SCREW (GGG) through a WASHER (XX), through the DRAWER FRONT, and into the PULL.

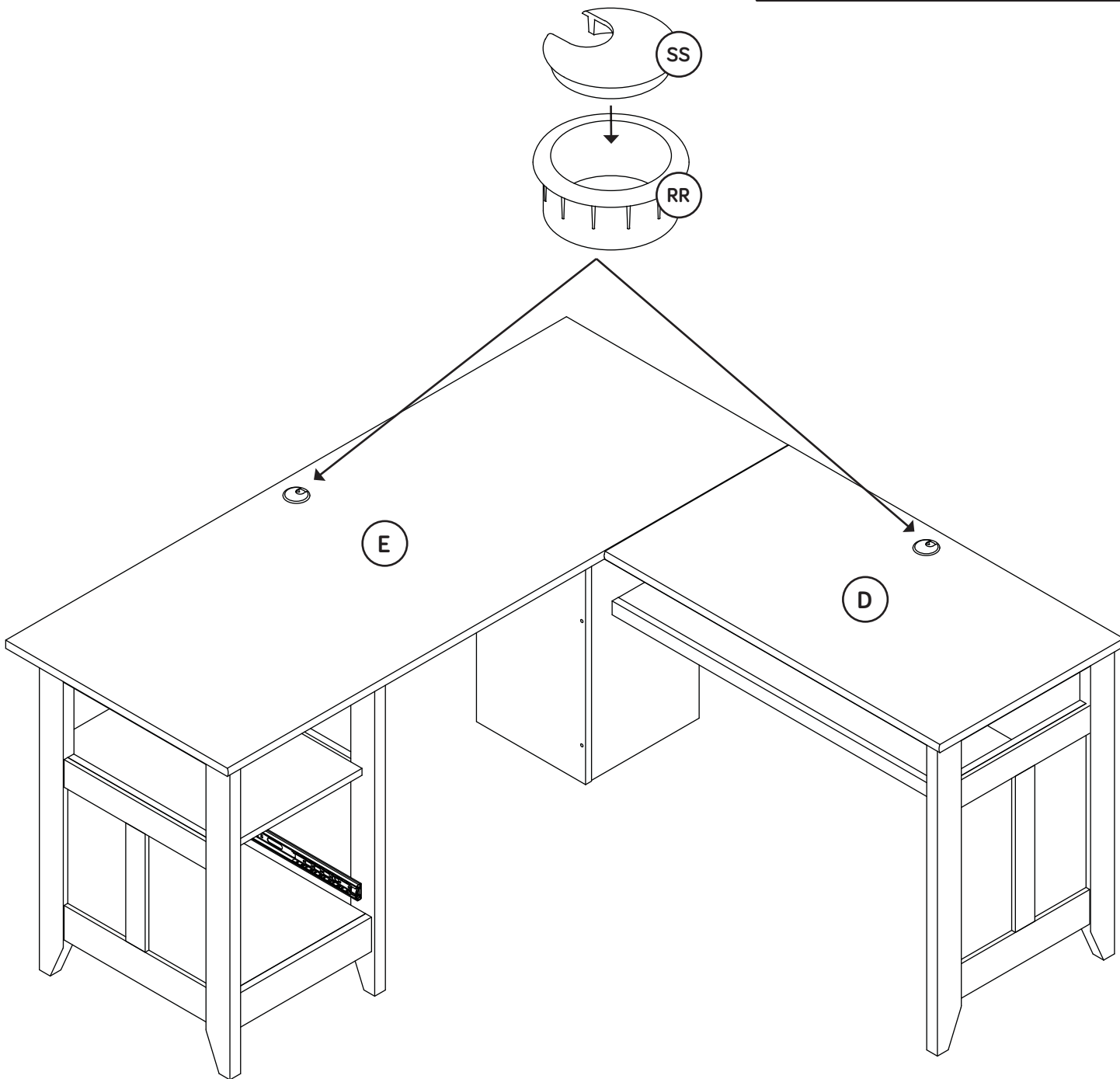


# Step 26

Push a GROMMET (RR) and GROMMET CAP (SS) into the large holes in the TOPS (D and E).

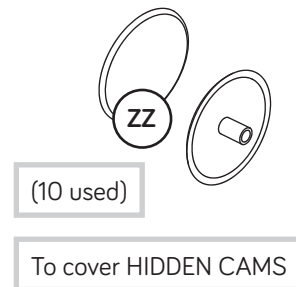
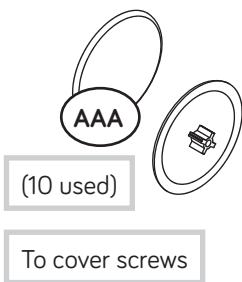
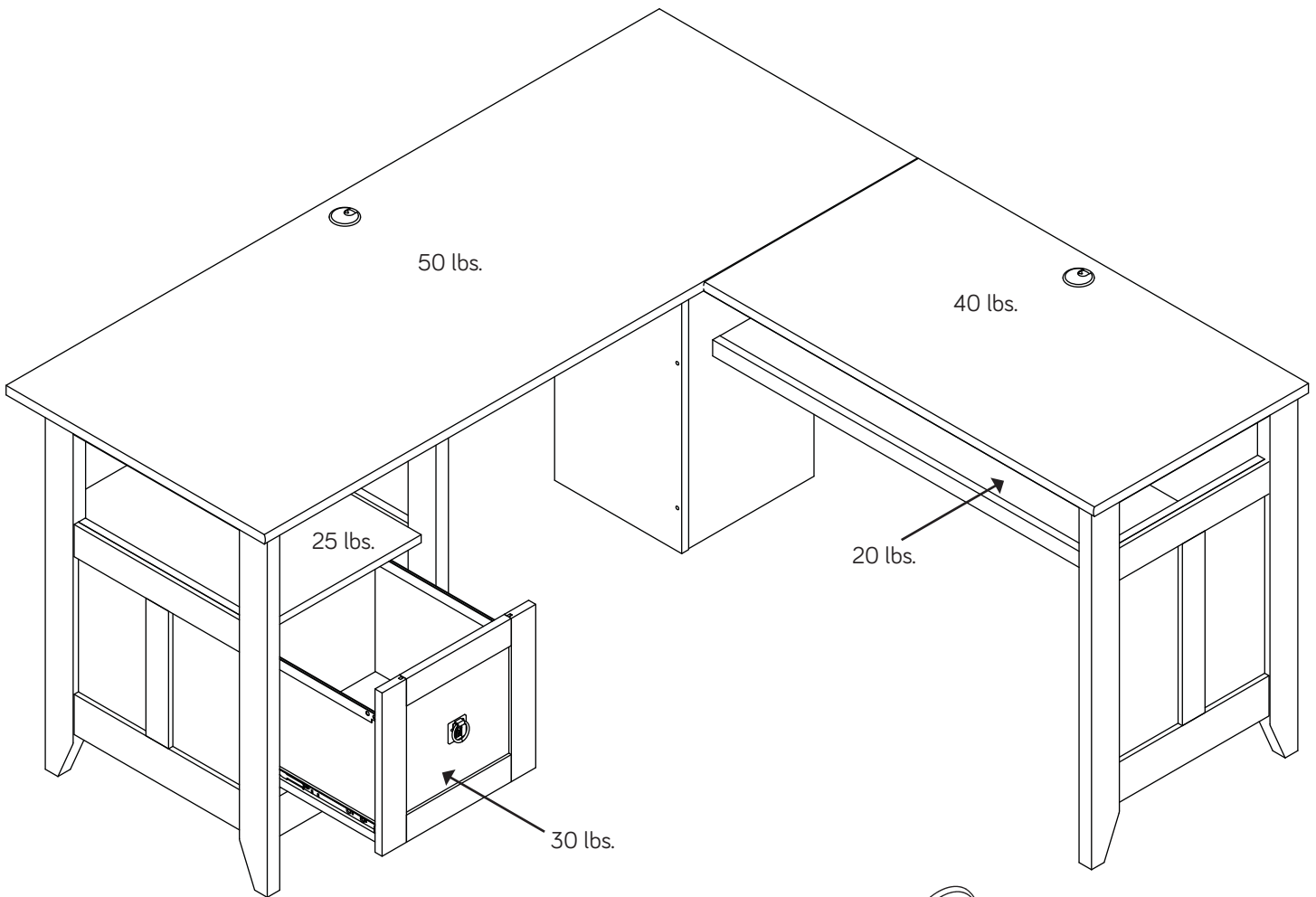
Zzz

Almost time to celebrate! With a nap.



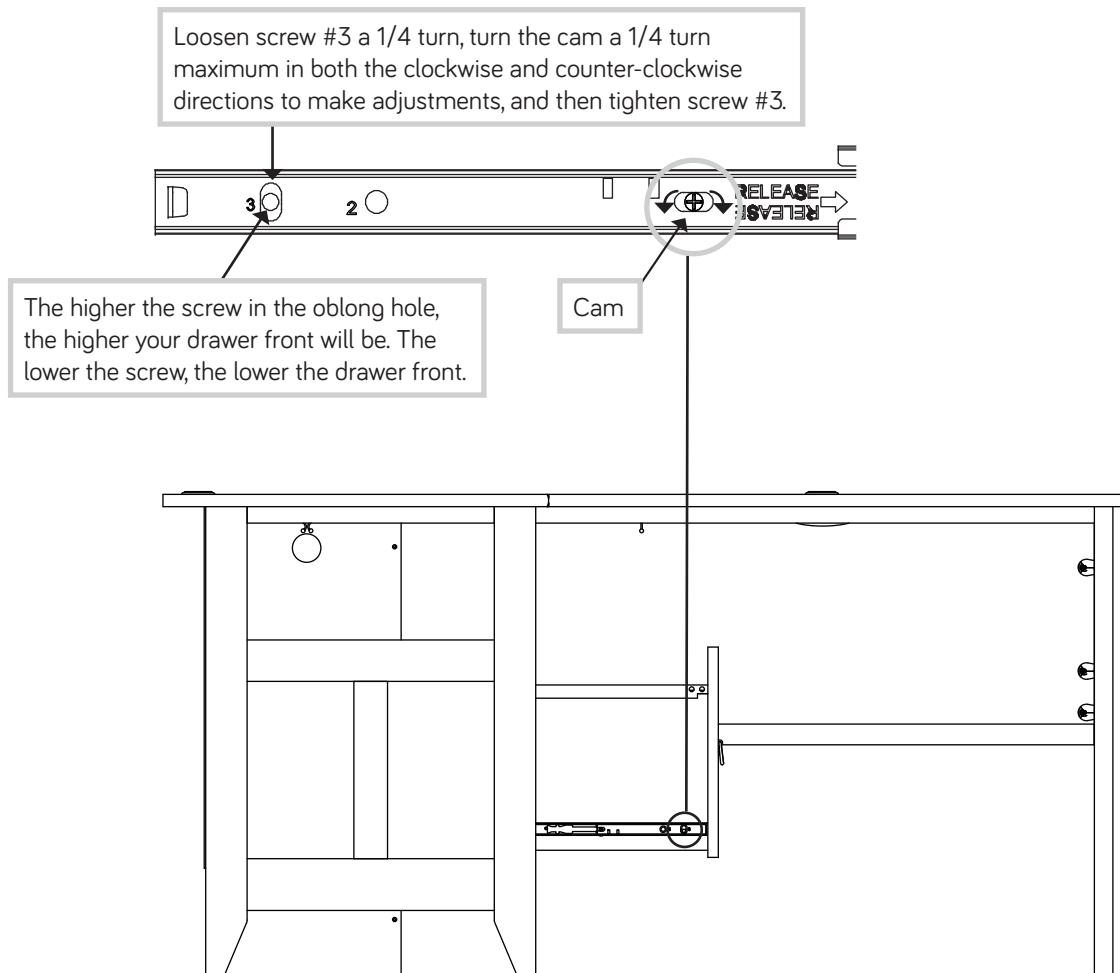
# Step 27

- ✦ To insert the drawer into your unit, line up the EXTENSION SLIDES on the drawer with the EXTENSION RAILS on the unit and push the drawer into the unit until the drawer is fully inserted. The drawer will push in hard until it is all the way in, then it will slide in and out easier.
- ✦ Center a SCREW COVER (AAA) over the head of each visible SCREW and press firmly.
- ✦ Push a CAM COVER (ZZ) onto each visible HIDDEN CAM.



# Step 28

- ✚ To make adjustments to the drawers, loosen SCREW #3 in the SLIDES a 1/4 turn, then turn the CAM clockwise or counter-clockwise. Notice how the drawer raises or lowers as you turn the CAM. The higher the screw in the oblong hole, the higher your drawer front will be. The lower the screw, the lower the drawer front. By adjusting the drawers this way, it will help the DRAWER FRONTS line up better when closed. Tighten the SCREW when finished with adjustments.
- ✚ NOTE: Please read the back pages of the instruction booklet for important safety information.
- ✚ This completes assembly. Clean with your favorite furniture polish or a damp cloth. Wipe dry.





**⚠ WARNING**

Please use your furniture correctly and safely. Improper use can cause safety hazards, or damage to your furniture or household items. **Carefully read the following chart.**

Look out for:	What can happen:	How to avoid the problem:
<ul style="list-style-type: none"><li>• Overloaded shelves and drawers.</li><li>• Improper loading can cause the product to be top-heavy.</li></ul>	<ul style="list-style-type: none"><li>• Risk of injury.</li><li>• Top-heavy furniture can tip over.</li><li>• Overloaded shelves and drawers can break.</li></ul>	<ul style="list-style-type: none"><li>• Never exceed the weight limits shown in the instructions.</li><li>• Work from bottom to top when loading shelves and drawers. Place the heavier items on the lower shelves or in lower drawers.</li></ul>
<ul style="list-style-type: none"><li>• Improperly moving furniture that is not designed and equipped with casters.</li></ul>	<ul style="list-style-type: none"><li>• Furniture can tip over or break if improperly moved.</li><li>• Physical injury. Furniture can be very heavy.</li><li>• Breakage of tops - particularly with double pedestal furniture (drawers at both ends).</li></ul>	<ul style="list-style-type: none"><li>• Unload shelves and drawers from top to bottom before moving the unit.</li><li>• Do not push furniture, especially on a carpeted floor. Have a friend help you lift the item and set it in place.</li><li>• Provide support to the center section of the top when lifting the furniture.</li></ul>
<ul style="list-style-type: none"><li>• Placing TVs on furniture items that are not designed to support a television is hazardous.</li></ul>	<ul style="list-style-type: none"><li>• Risk of injury or death. TVs can be very heavy. Plus the weight and location of the picture tube tends to make TVs unbalanced and prone to tipping forward.</li></ul>	<ul style="list-style-type: none"><li>• This product is not designed to support a television.</li></ul>