

For **all** your  
newfangled **gadgetry**.

# Shaker Style Desk

5418072

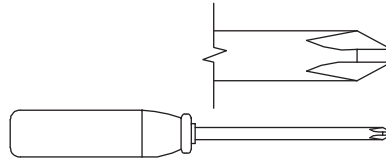
**NOTE:** THIS INSTRUCTION  
BOOKLET CONTAINS **IMPORTANT**  
SAFETY INFORMATION.

PLEASE READ AND KEEP FOR  
FUTURE REFERENCE.

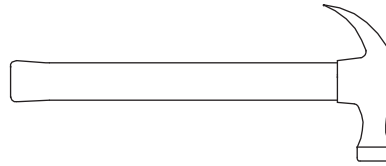
# Table of Contents

# Assembly Tools Required

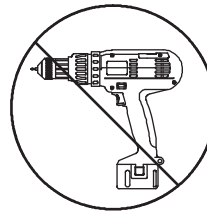
Part Identification	2-3
Hardware Identification	4
Assembly Steps	5-22



No. 2 Phillips Screwdriver  
Tip Shown Actual Size



Hammer  
Not actual size 😊



Skip the power trip.  
This time.

## Part Identification

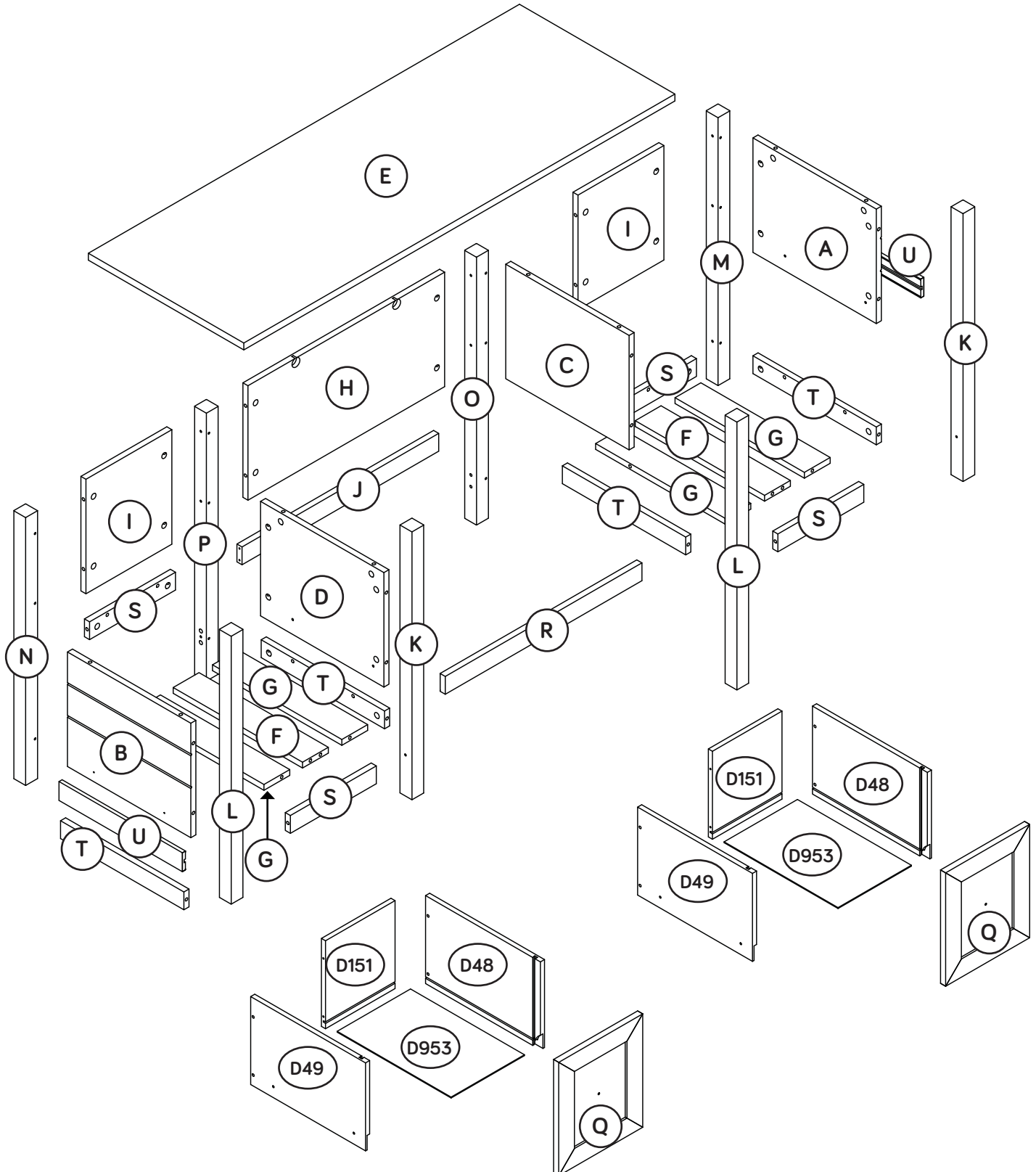
A	RIGHT END (1)	F	BOTTOM (2)	O	RIGHT MIDDLE REAR LEG (1)
B	LEFT END (1)	G	OUTER BOTTOM (4)	P	LEFT MIDDLE REAR LEG (1)
C	RIGHT UPRIGHT (1)	H	LARGE BACK (1)	Q	DRAWER FRONT (2)
D	LEFT UPRIGHT (1)	I	SMALL BACK (2)	R	TOP MOLDING (1)
D48	DRAWER RIGHT SIDE (2)	J	BRACE (1)	S	BOTTOM MOLDING (4)
D49	DRAWER LEFT SIDE (2)	K	RIGHT FRONT LEG (2)	T	BOTTOM SIDE MOLDING (4)
D151	DRAWER BACK (2)	L	LEFT FRONT LEG (2)	U	END MOLDING (2)
D953	DRAWER BOTTOM (2)	M	RIGHT REAR LEG (1)		
E	TOP (1)	N	LEFT REAR LEG (1)		

# Part Identification

Now you know  
our ABCs.



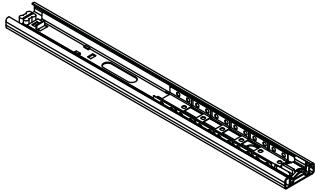
† While not all parts are labeled, some of the parts will have a label or an inked letter on the edge to help distinguish similar parts from each other. Use this part identification to help identify similar parts.



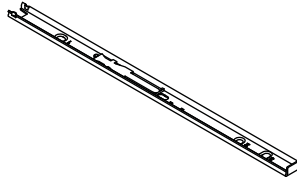
# Hardware Identification

↑ Screws are shown actual size. You may receive extra hardware with your unit.

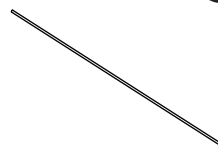
**V** EXTENSION RAIL - 4



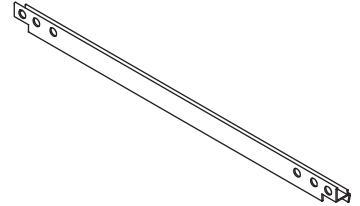
**W** EXTENSION SLIDE - 4



**7B** FILE ROD - 2

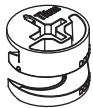


**4B** FILE GLIDE - 2

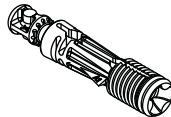


(EXTENSION SET SHOWN SEPARATED)

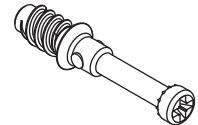
**1F** HIDDEN CAM - 72



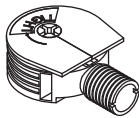
**2F** CAM DOWEL - 28



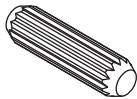
**8F** CAM SCREW - 44



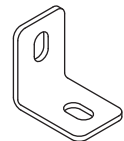
**12F** TWIST-LOCK® FASTENER - 2



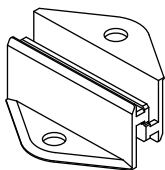
**15F** WOOD DOWEL - 4



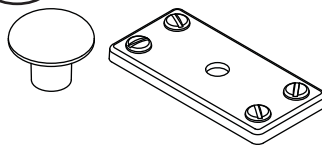
**4G** METAL BRACKET - 3



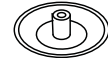
**10G** FILE DRAWER FRONT BRACKET - 4



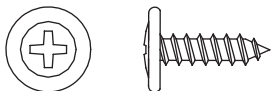
**100K** KNOB SET - 2



**19P** CAM COVER - 4



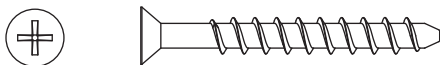
**1S** BLACK 9/16" LARGE HEAD SCREW - 14



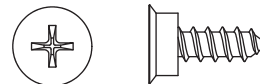
**3S** GOLD 5/16" FLAT HEAD SCREW - 16



**30S** BLACK 1-9/16" FLAT HEAD SCREW - 8



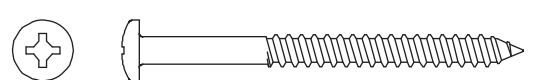
**32S** BLACK 9/16" FLAT HEAD SCREW - 4



**38S** SILVER 1/2" MACHINE SCREW - 2



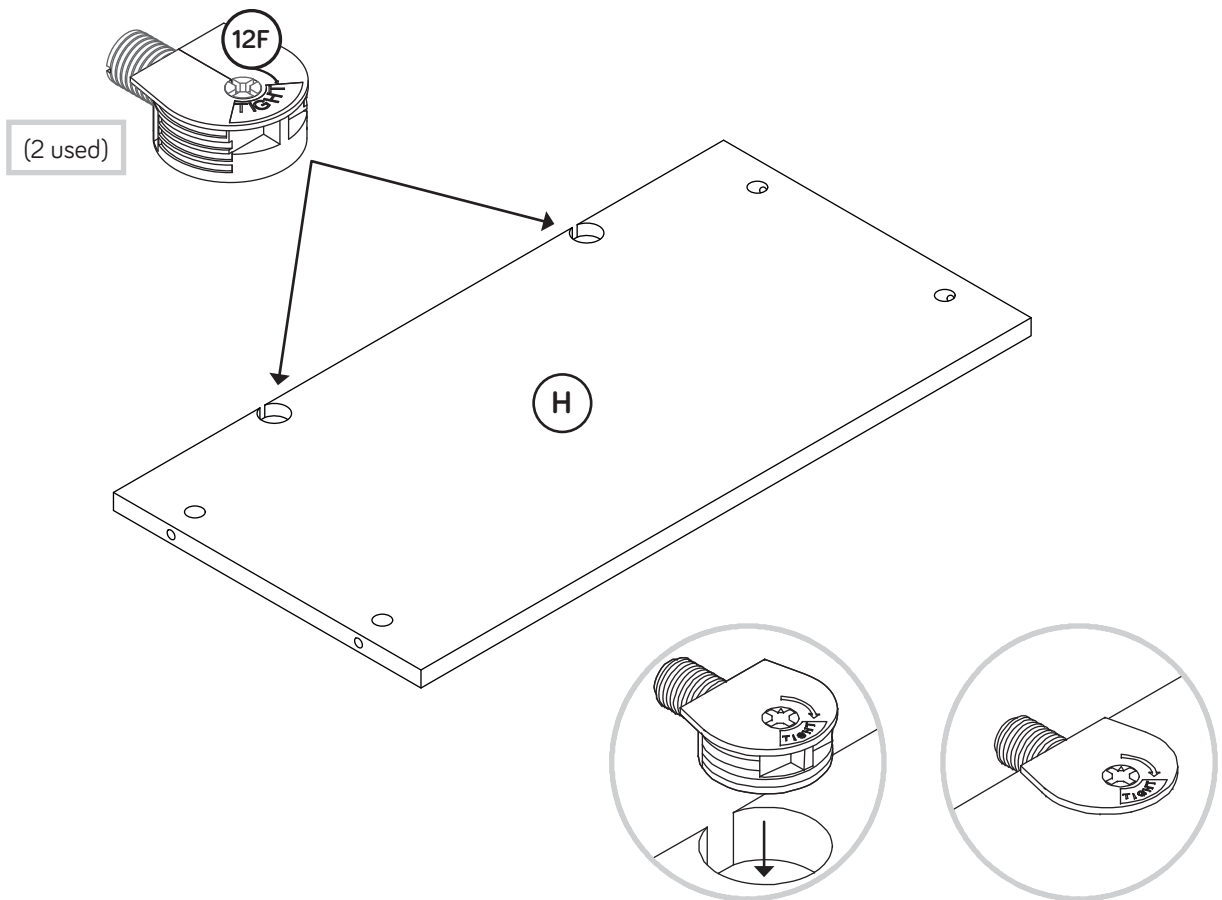
**66S** BLACK 2" PAN HEAD SCREW - 4



# Step 1

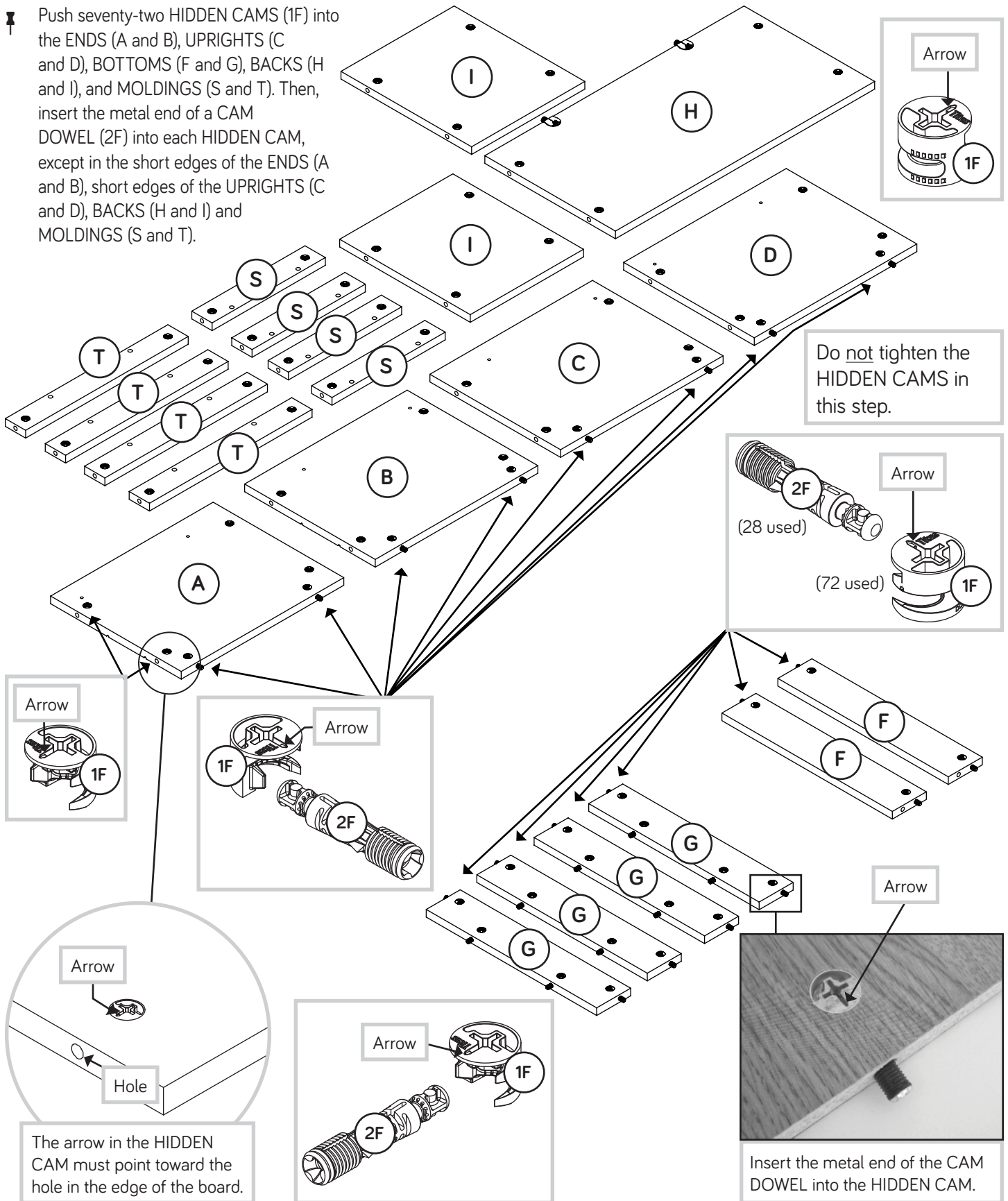
- ✦ Assemble your unit on a carpeted floor or on the empty carton to avoid scratching your unit or the floor.
- ✦ To begin assembly, push a WIST-LOCK® FASTENER (12F) into the large holes in the LARGE BACK (H).

Do not tighten the TWIST-LOCK® FASTENERS in this step.



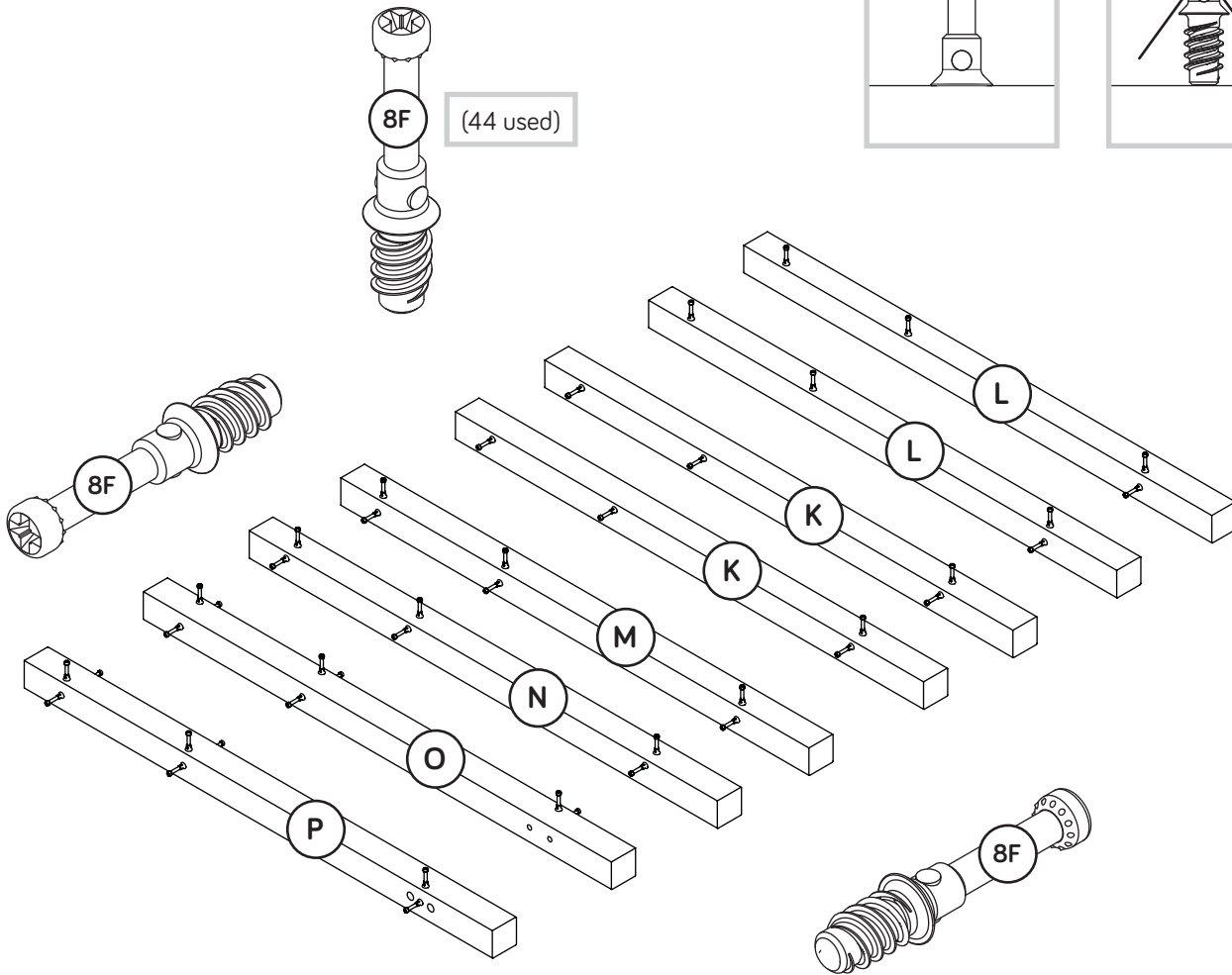
# Step 2

Push seventy-two HIDDEN CAMS (1F) into the ENDS (A and B), UPRIGHTS (C and D), BOTTOMS (F and G), BACKS (H and I), and MOLDINGS (S and T). Then, insert the metal end of a CAM DOWEL (2F) into each HIDDEN CAM, except in the short edges of the ENDS (A and B), short edges of the UPRIGHTS (C and D), BACKS (H and I) and MOLDINGS (S and T).



# Step 3

- Turn forty-four CAM SCREWS (8F) into the LEGS (K, L, M, N, O, and P).

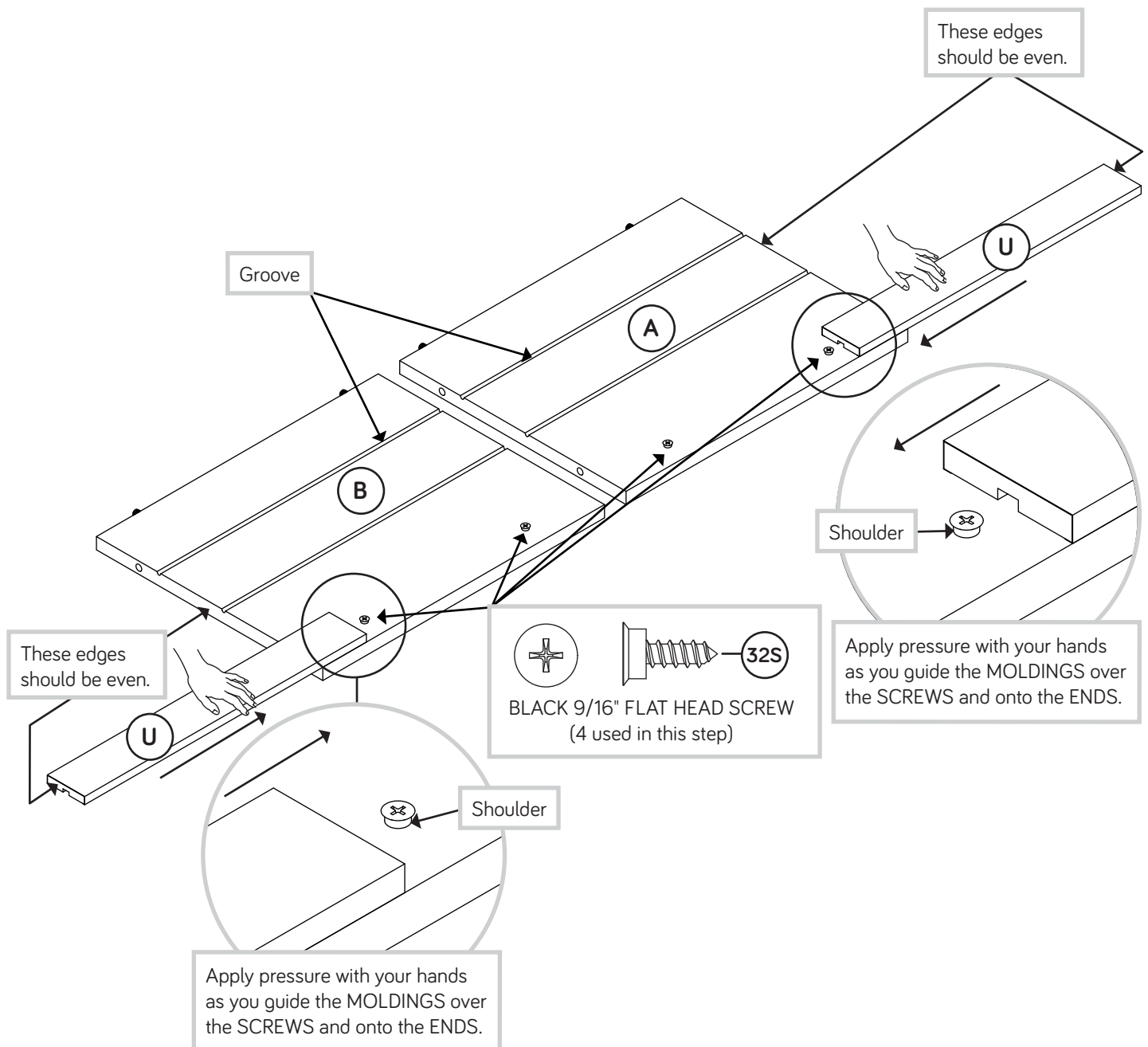


# Step 4

- Turn four BLACK 9/16" FLAT HEAD SCREWS (32S) into the ENDS (A and B) until the shoulders of the SCREWS rest on the surfaces of the ENDS.
- Slide the END MOLDINGS (U) onto the ENDS (A and B). Line up the grooves in the MOLDINGS over the heads of the SCREWS in the ENDS.



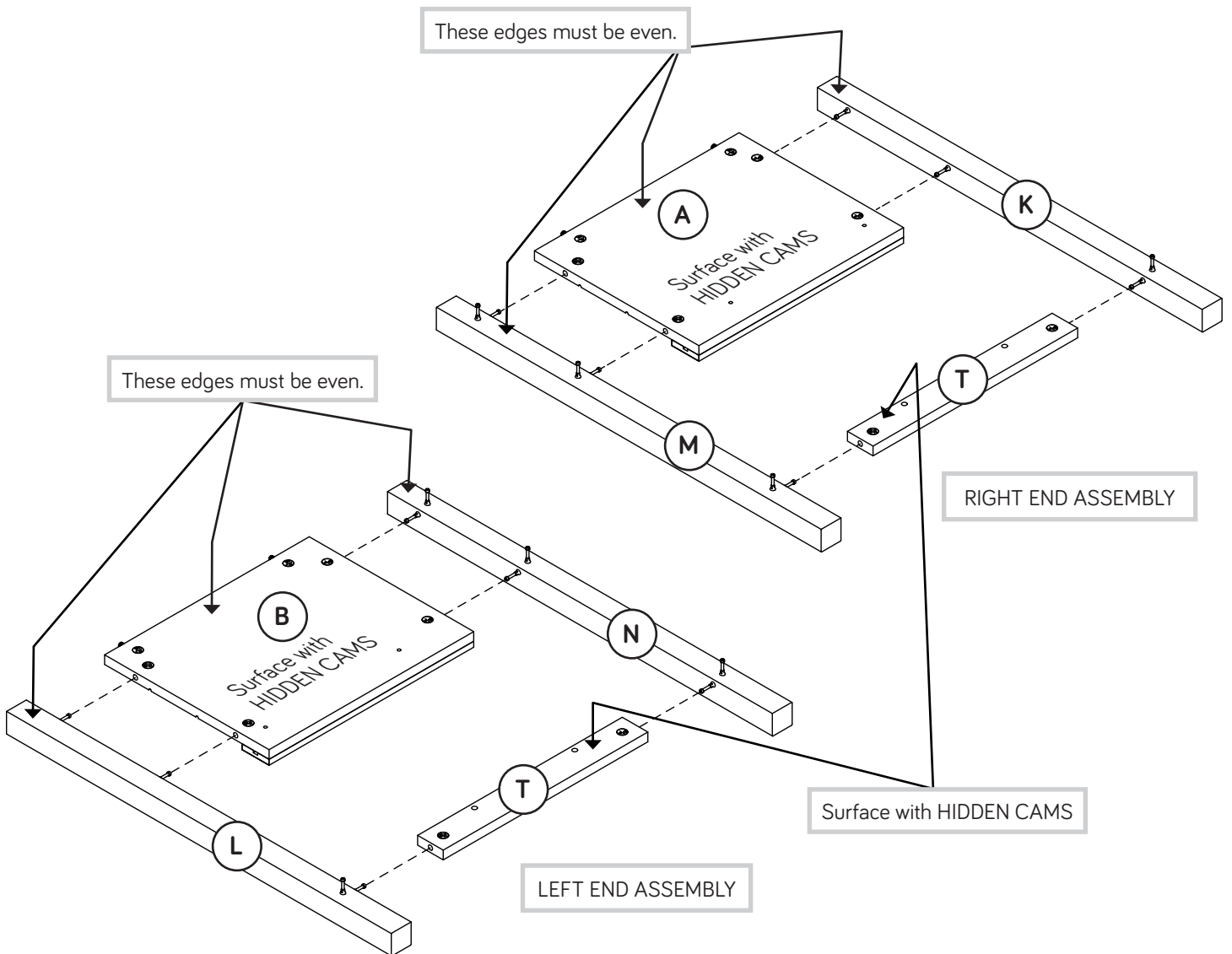
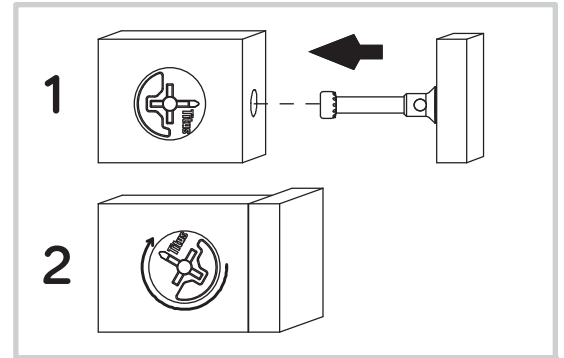
Some assembly  
(and snacks) required.





# Step 5

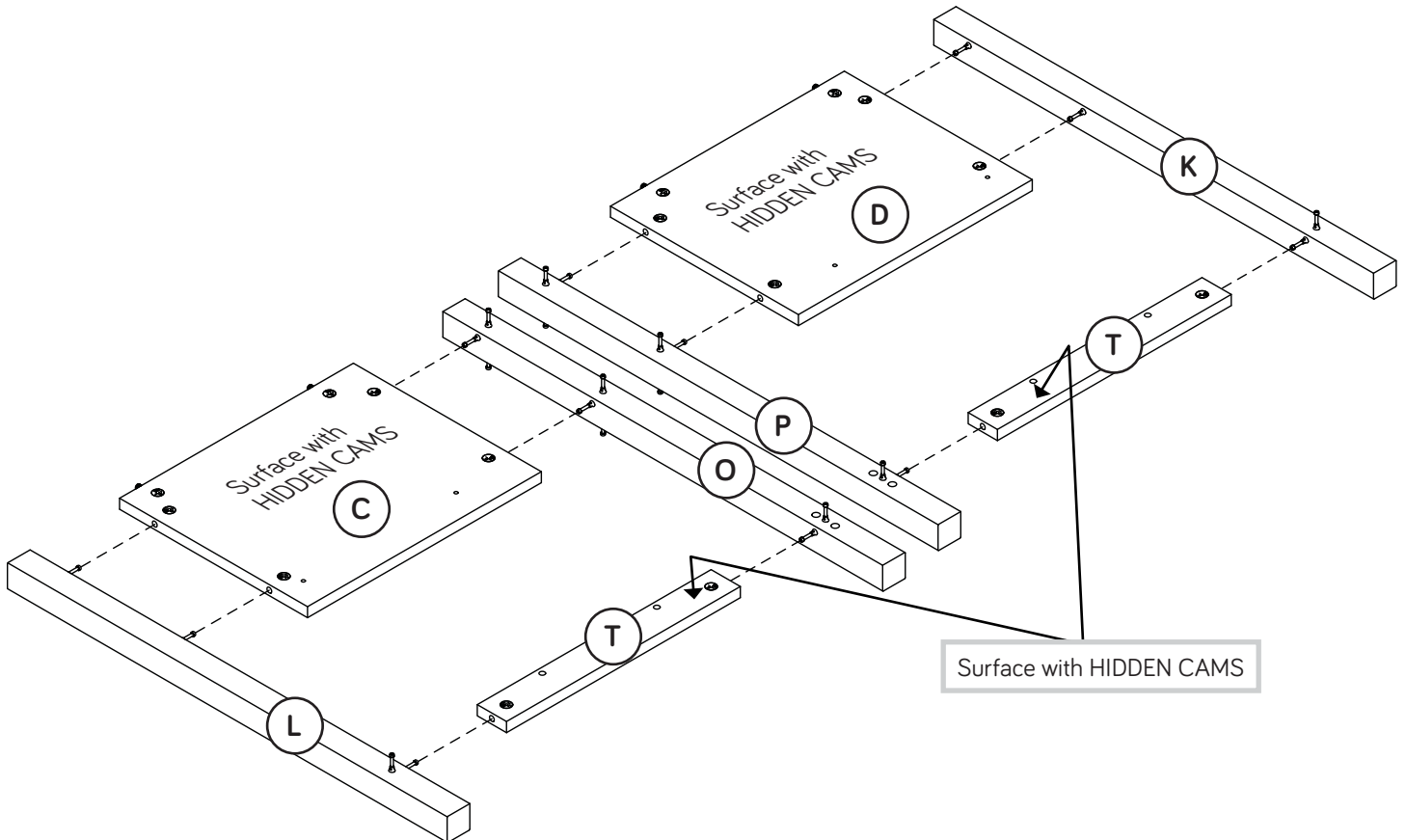
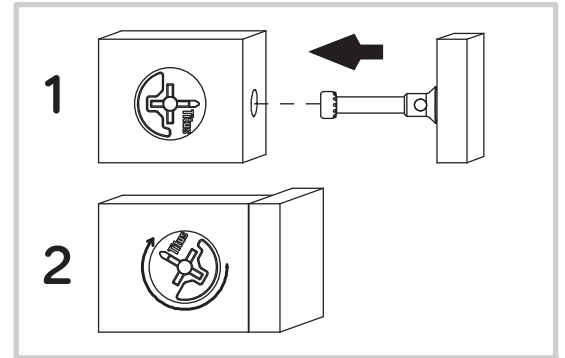
- ✚ Flip the ENDS (A and B) over.
- ✚ Fasten the LEGS (K and M) and a BOTTOM SIDE MOLDING (T) to the RIGHT END (A). Tighten six HIDDEN CAMS.
- ✚ Fasten the LEGS (L and N) and a BOTTOM SIDE MOLDING (T) to the LEFT END (B). Tighten six HIDDEN CAMS.



# Step 6

Fasten the LEGS (L and O) and a BOTTOM SIDE MOLDING (T) to the UPRIGHT (C). Tighten six HIDDEN CAMS.

Fasten the LEGS (K and P) and a BOTTOM SIDE MOLDING (T) to the LEFT UPRIGHT (D). Tighten six HIDDEN CAMS.

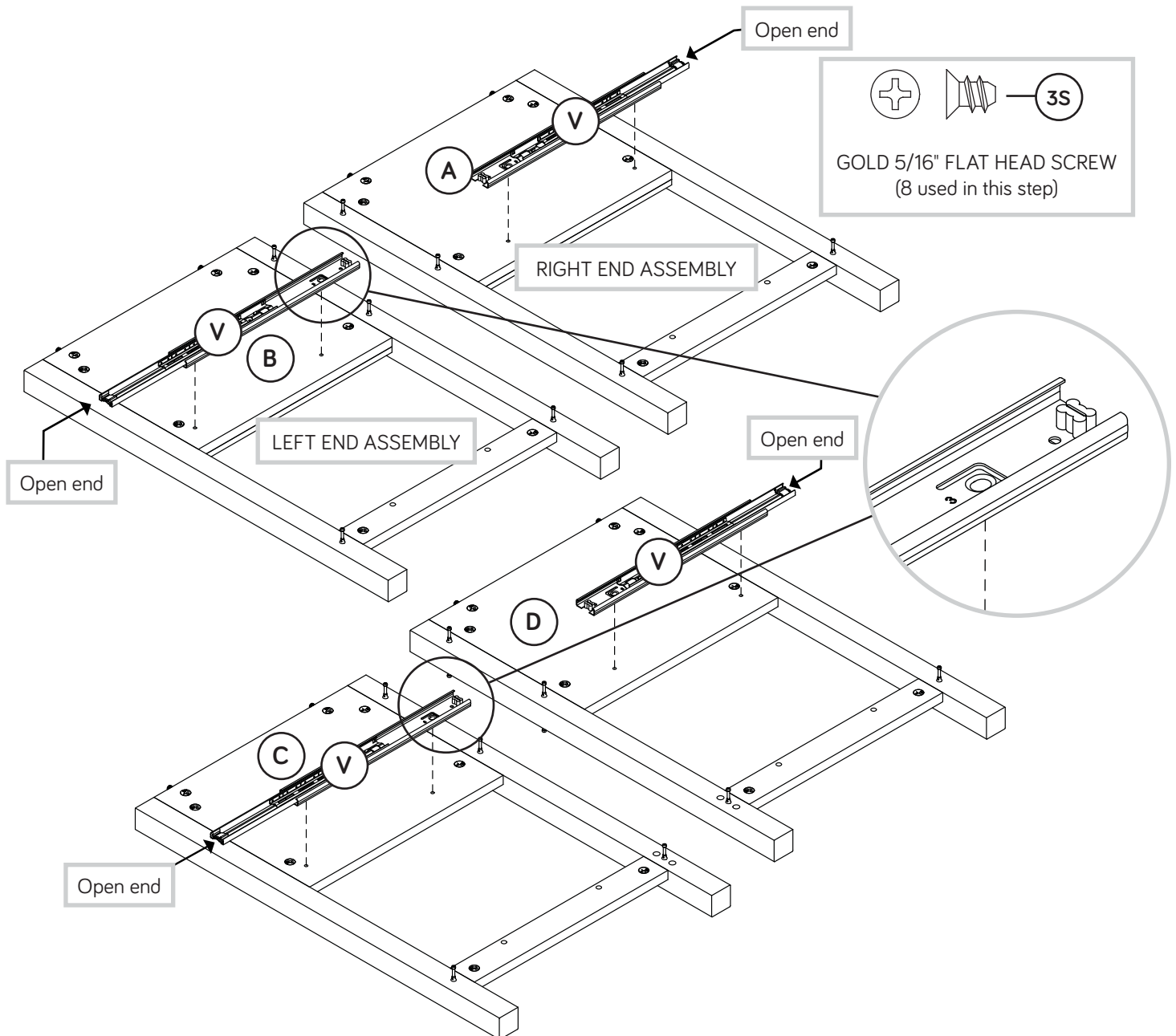




# Step 7

- ✚ Separate the EXTENSION SLIDES (W) from the EXTENSION RAILS (V) as shown in the enlarged diagram below. Be prepared, the parts are greasy.
- ✚ Fasten the EXTENSION RAILS (V) to the ENDS (A and B) and UPRIGHTS (C and D). Use eight GOLD 5/16" FLAT HEAD SCREWS (3S).
- ✚ NOTE: For each EXTENSION RAIL, turn a SCREW into the hole shown in the enlarged diagram. Then, slide the inner cartridge of the EXTENSION RAIL in to find the other hole that lines up with the hole in the END. Turn a SCREW into this hole.



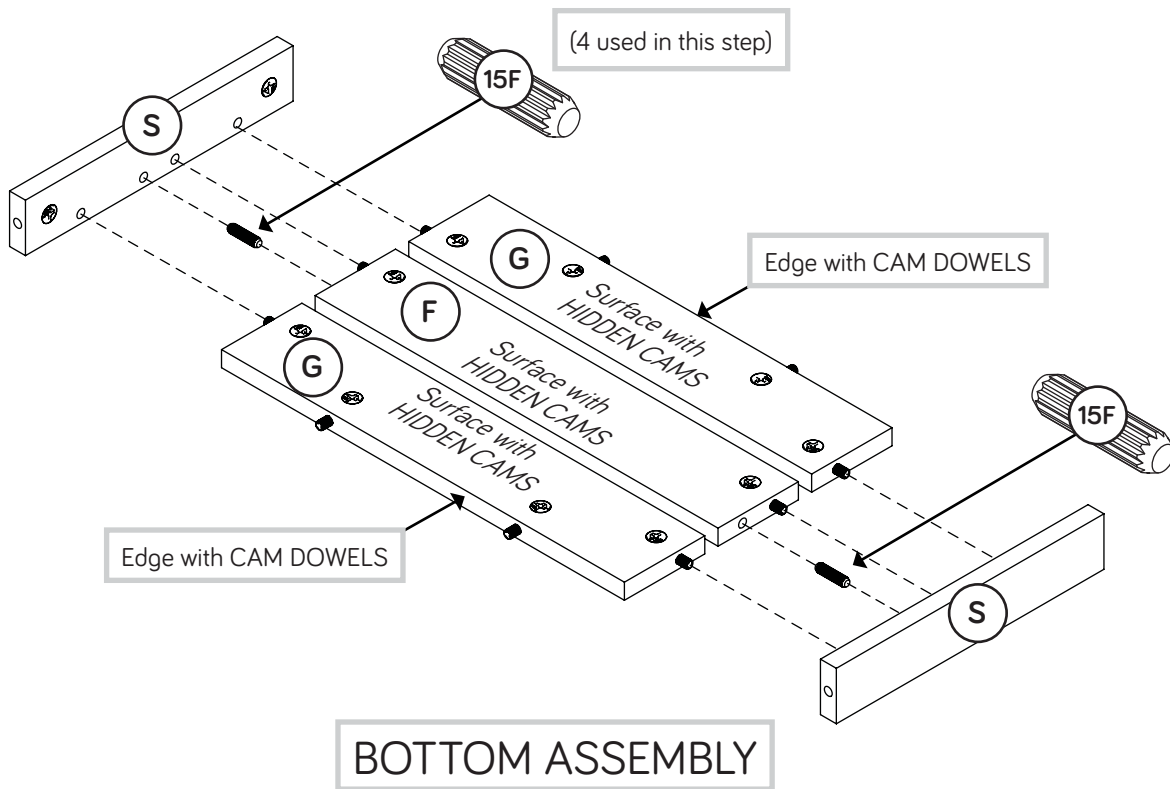
Push the black lever in and pull the SLIDE from the RAIL.



  **3S**  
GOLD 5/16" FLAT HEAD SCREW  
(8 used in this step)

# Step 8

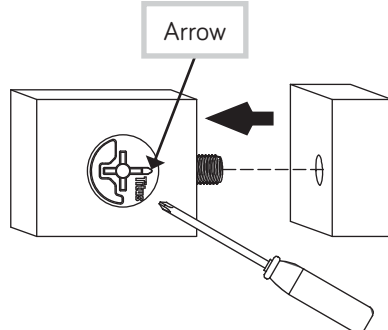
- ✚ Insert a WOOD DOWEL (15F) into each short edge of a BOTTOM (F).
- ✚ Lay two OUTER BOTTOMS (G) next to the BOTTOM (F) as shown.
- ✚ Fasten two BOTTOM MOLDINGS (S) to the BOTTOMS (F and G). Tighten six HIDDEN CAMS.
- ✚ **NOTE:** Be sure the WOOD DOWELS insert into the BOTTOM MOLDINGS.
- ✚ Repeat this step for the remaining BOTTOMS (F and G) and BOTTOM MOLDINGS (S).



## ⚠ Caution

Risk of damage or injury. HIDDEN CAMS must be completely tightened. HIDDEN CAMS that are not completely tightened may loosen, and parts may separate. To completely tighten:

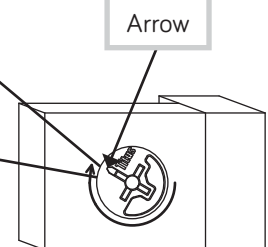
### Start



### Tighten

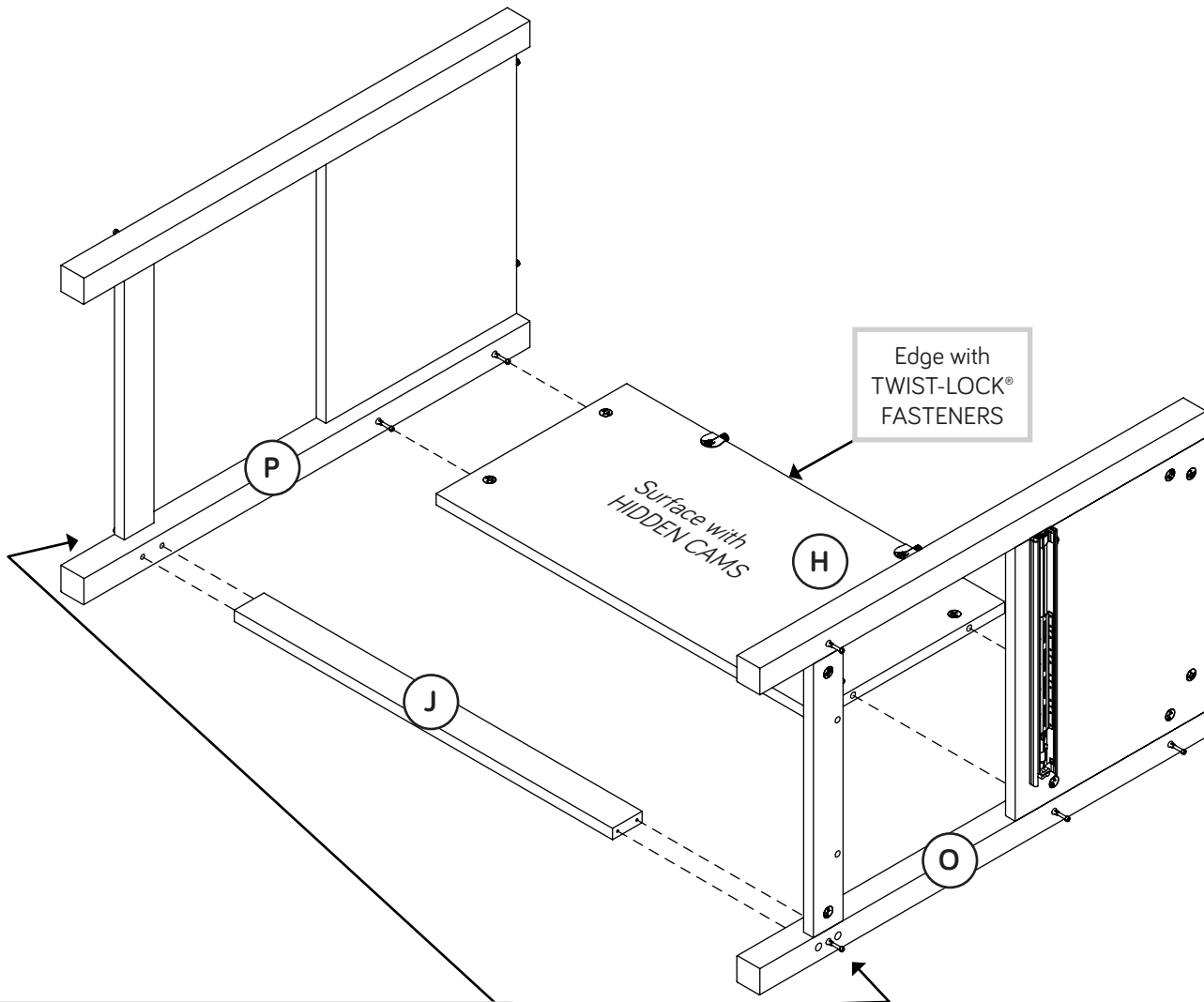
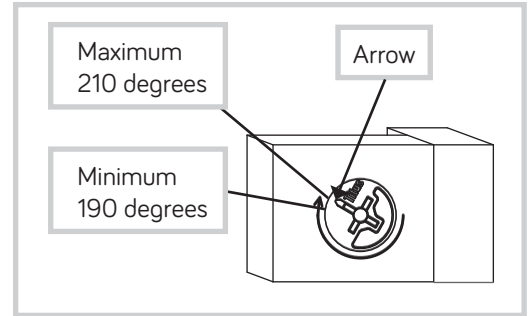
Maximum 210 degrees

Minimum 190 degrees



# Step 9

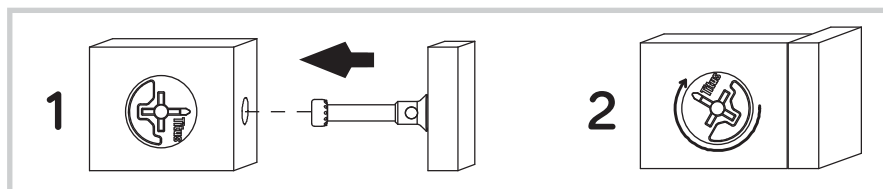
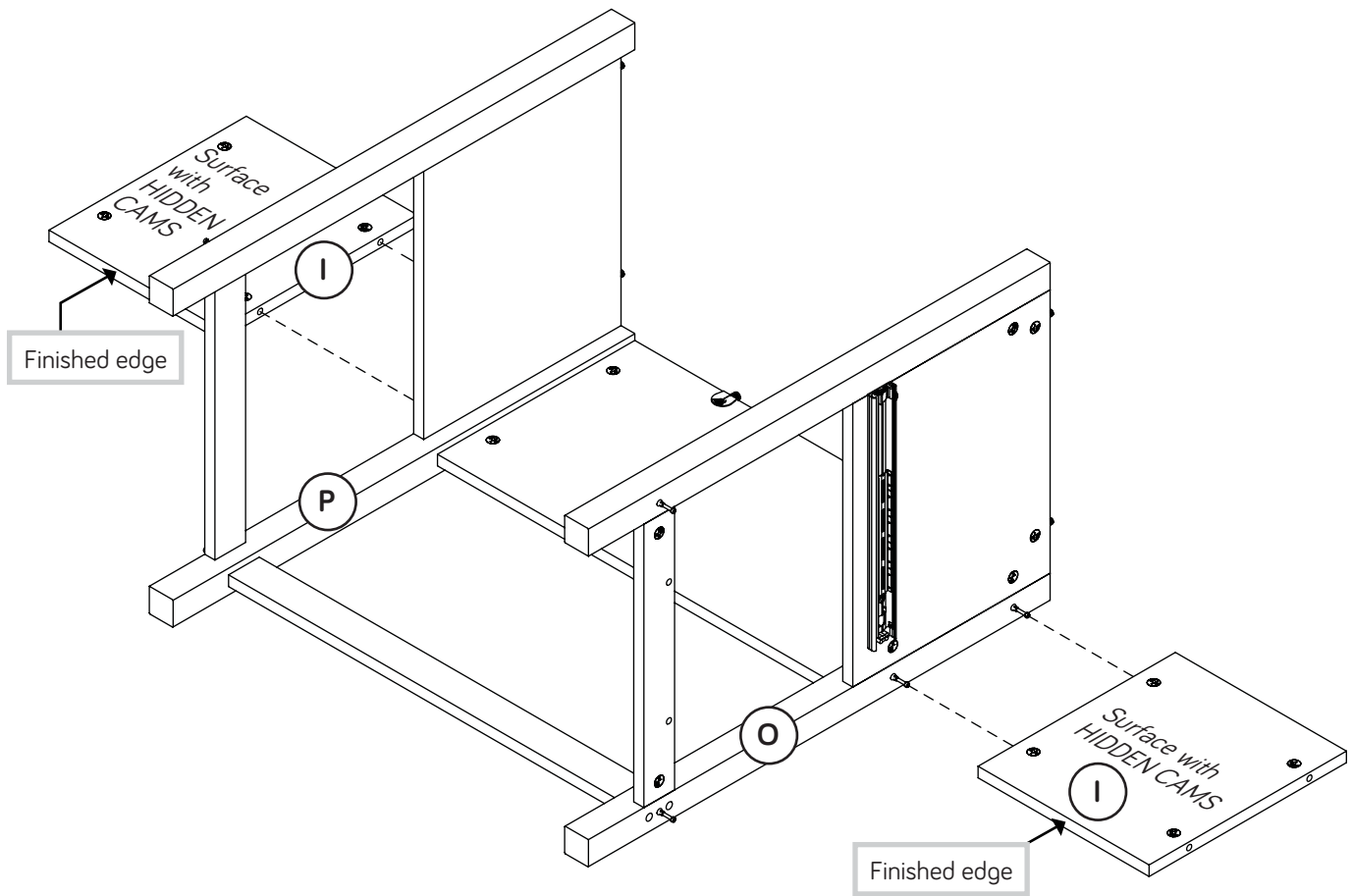
- Fasten the MIDDLE REAR LEGS (O and P) to the LARGE BACK (H). Tighten four HIDDEN CAMS.
- Fasten the BRACE (J) to the MIDDLE REAR LEGS (O and P). Use four BLACK 2" PAN HEAD SCREWS (66S).



BLACK 2" PAN HEAD SCREW  
(4 used in this step)

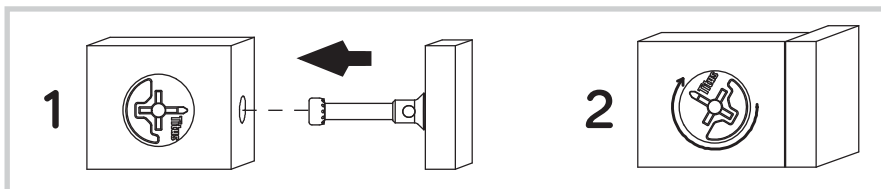
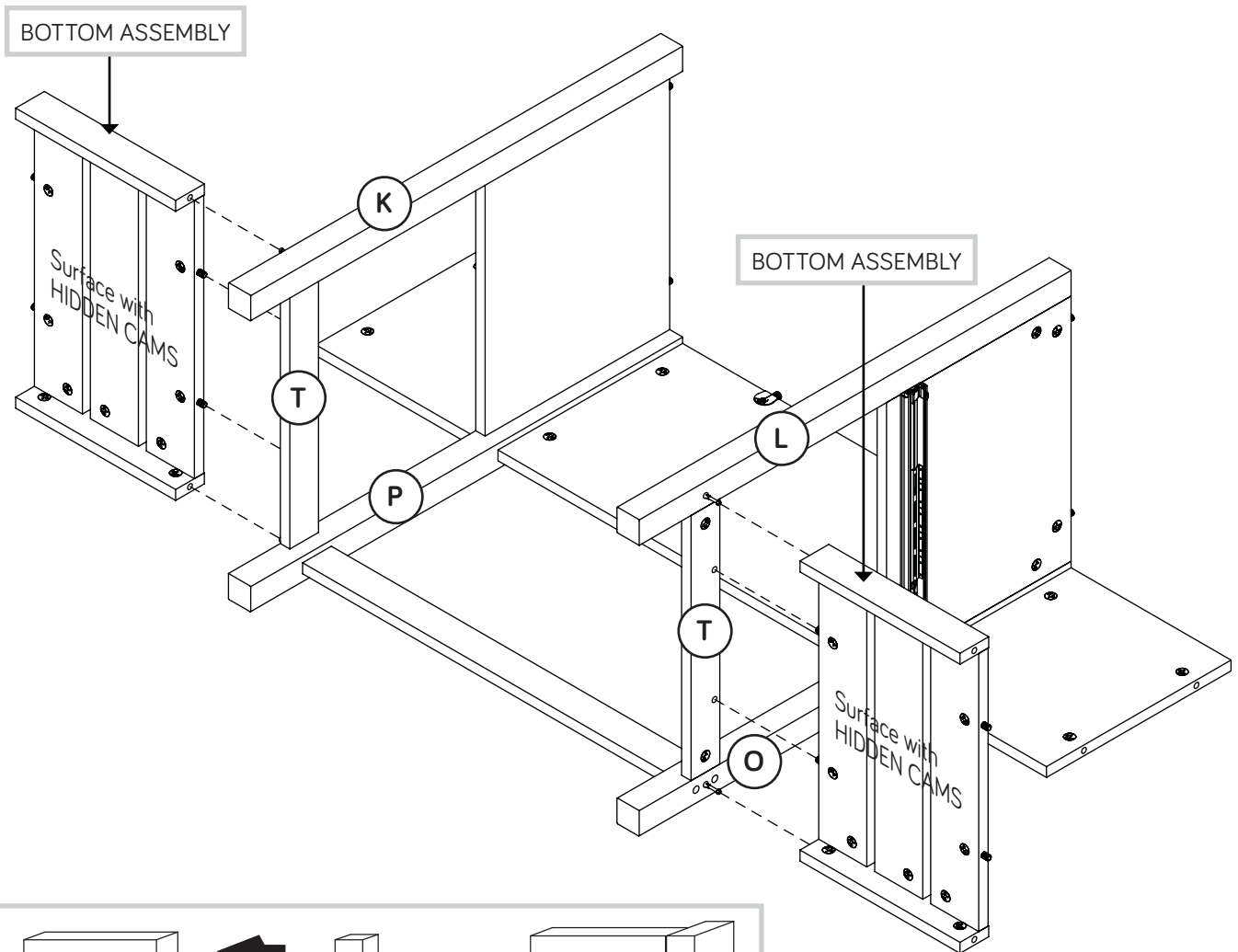
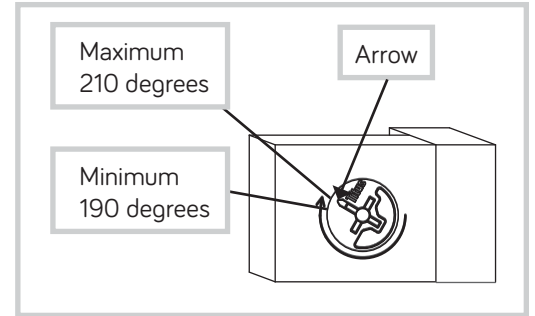
# Step 10

- Fasten the SMALL BACKS (I) to the MIDDLE REAR LEGS (O and P). Tighten four HIDDEN CAMS.



# Step 11

- Fasten a BOTTOM assembly to the LEGS (L and O) and BOTTOM SIDE MOLDING (T). Tighten four HIDDEN CAMS.
- Fasten the remaining BOTTOM assembly to the LEGS (K and P) and BOTTOM SIDE MOLDING (T). Tighten four HIDDEN CAMS.

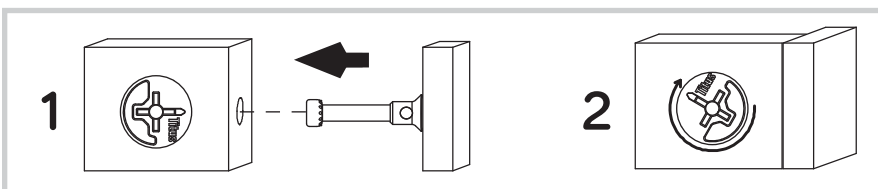
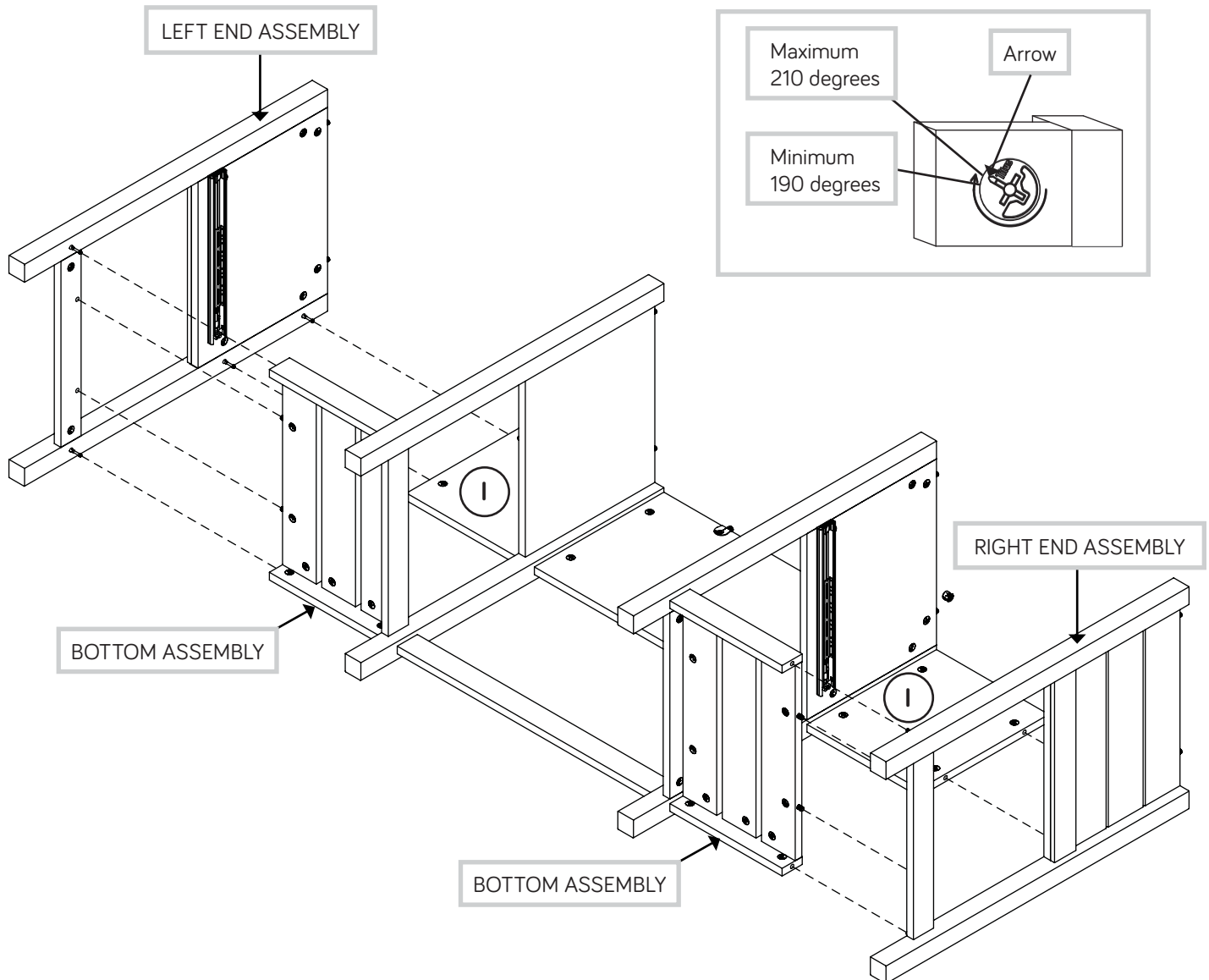


# Step 12

- Fasten the LEFT END ASSEMBLY to the SMALL BACK (I) and BOTTOM ASSEMBLY on the left end of your unit. Tighten six HIDDEN CAMS.
- Fasten the RIGHT END ASSEMBLY to the SMALL BACK (I) and BOTTOM ASSEMBLY on the right end of your unit. Tighten six HIDDEN CAMS.



Now might be a good time to refresh your drink.





# Step 13

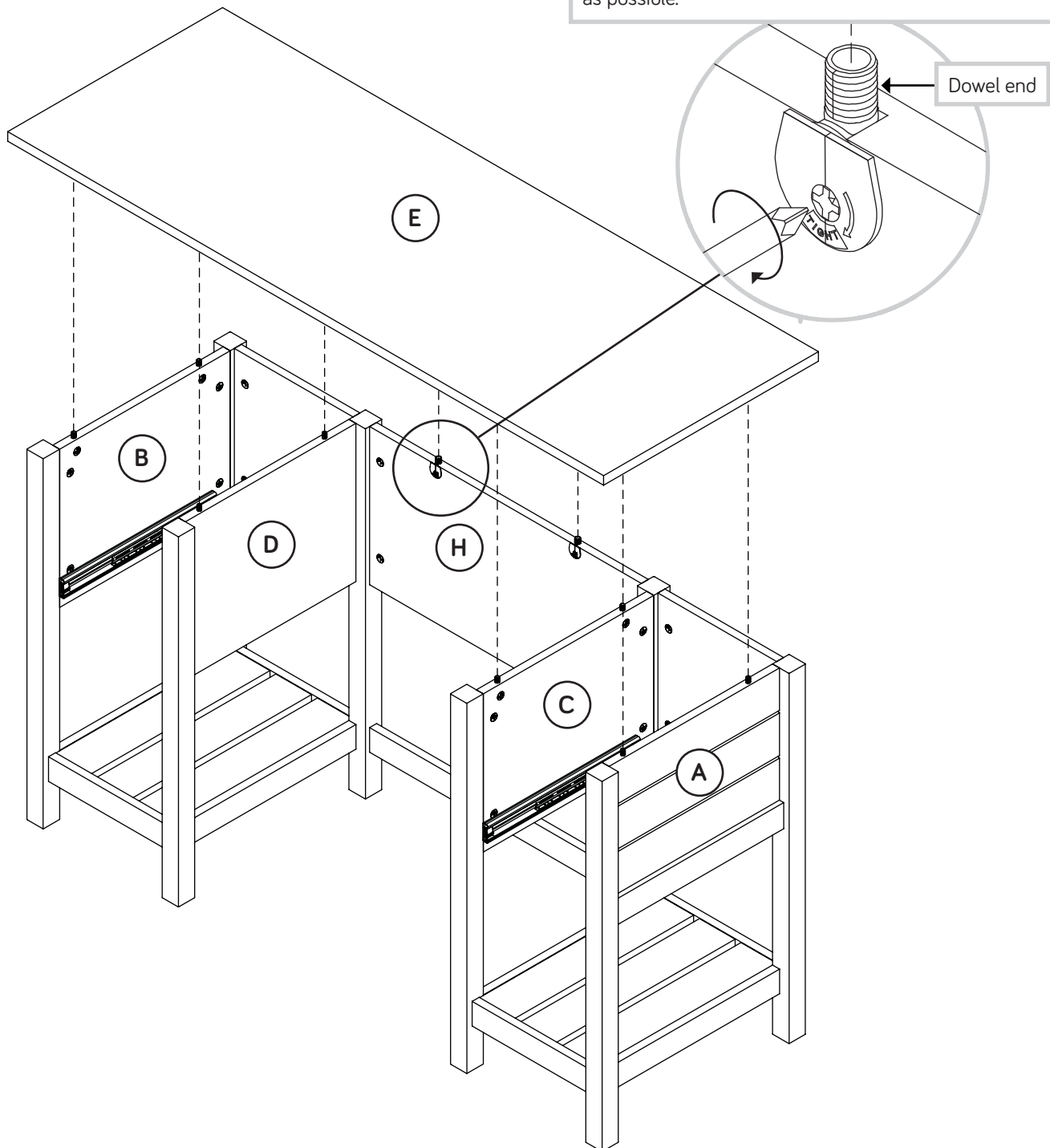
- ⚡ Carefully stand your unit upright.
- ⚡ Fasten the TOP (E) to the ENDS (A and B) and UPRIGHTS (C and D). Tighten eight HIDDEN CAMS.
- ⚡ Fasten the TOP (E) to the LARGE BACK (H). Tighten two TWIST-LOCK® FASTENERS.

## How to use the TWIST-LOCK® FASTENER

1. Insert the dowel end of the FASTENER into the hole of the adjoining part.

**NOTE:** The dowel end of the FASTENER must remain fully inserted in the hole of the adjoining part while locking the FASTENER.

2. Tighten the FASTENER with a Phillips screwdriver as tight as possible.

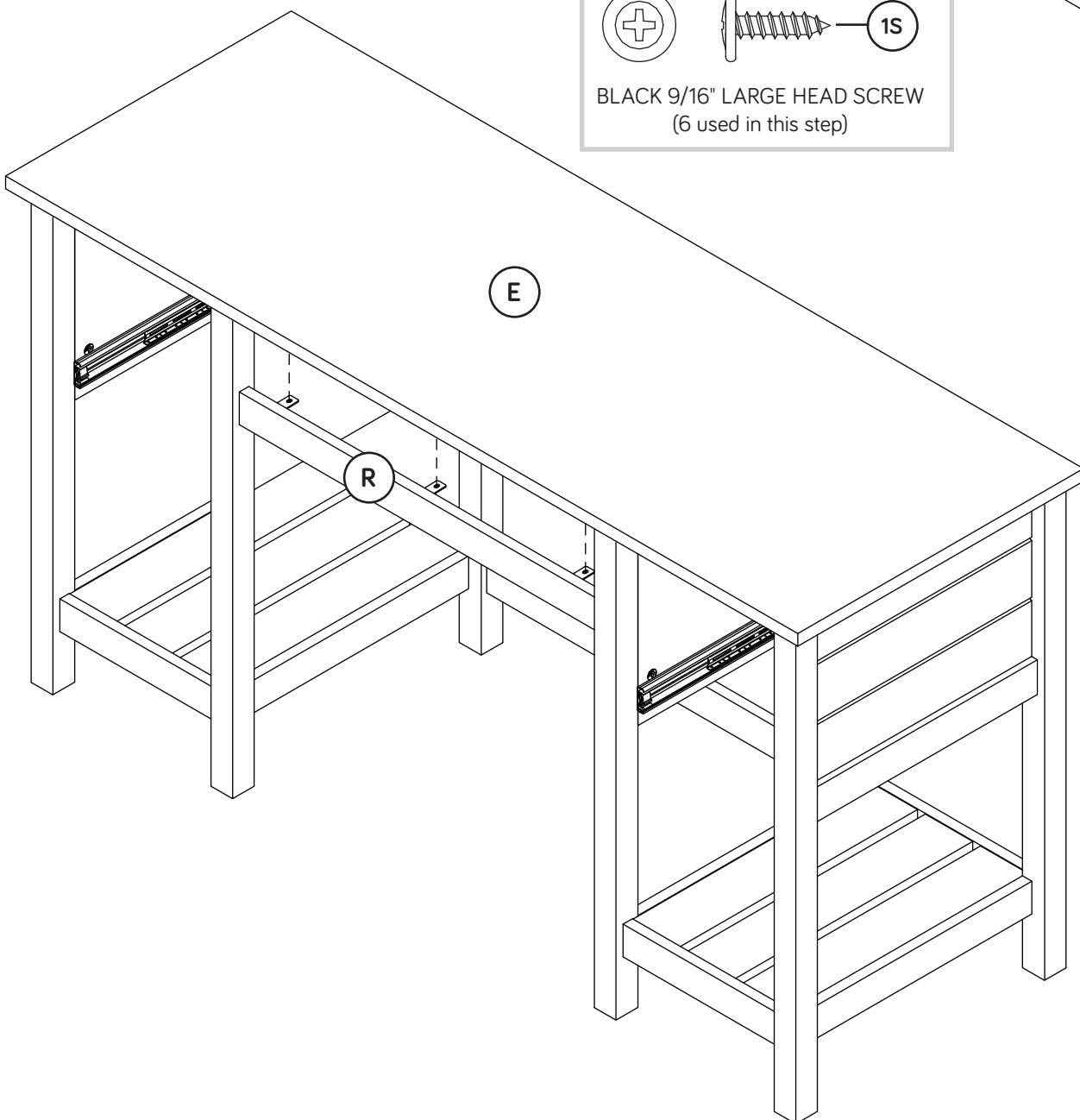
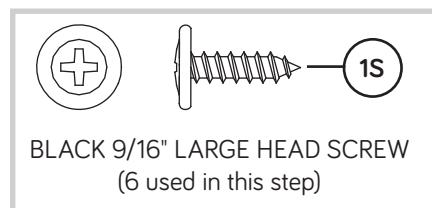
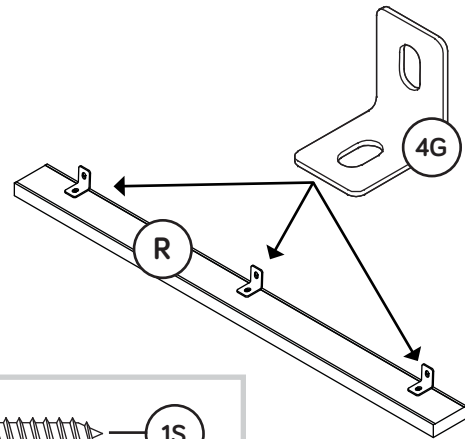


# Step 14

Fasten three METAL BRACKETS (4G) to the TOP MOLDING (R). Use three BLACK 9/16" LARGE HEAD SCREWS (1S).

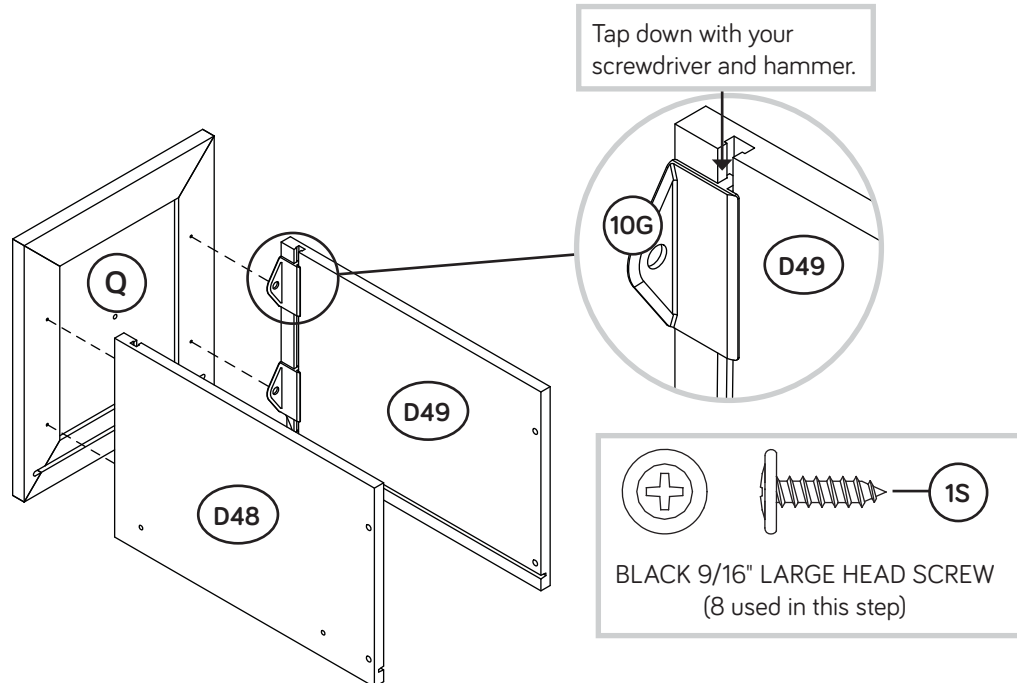
**NOTE:** Be sure the BRACKETS are even with the edges of the MOLDING.

Fasten the TOP MOLDING (R) to the TOP (E). Use three BLACK 9/16" LARGE HEAD SCREWS (1S).



# Step 15

1

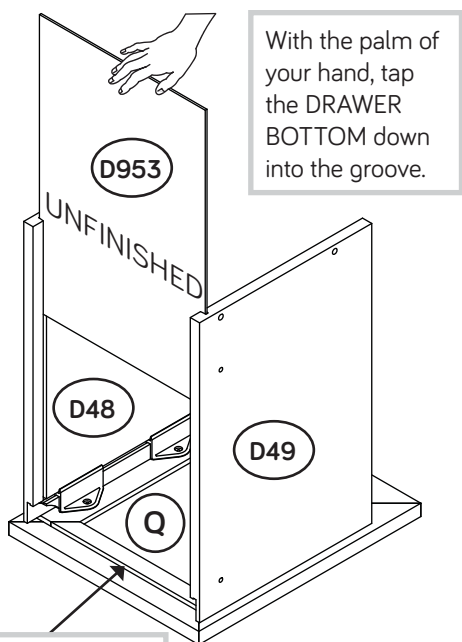


✚ Pull the DRAWER FRONT BRACKETS (10G) apart and slide them into the grooves in the DRAWER SIDES (D48 and D49). You may need to gently tap them in with a hammer.

✚ NOTE: The DRAWER FRONT BRACKETS are marked "RH" and "LH" for easy identification.

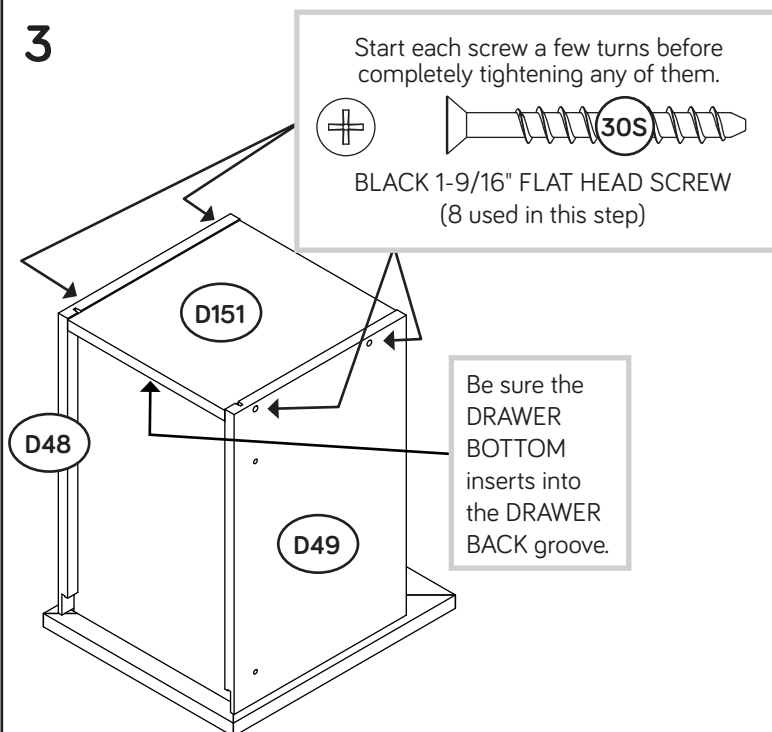
✚ Fasten the DRAWER FRONT (Q) to the DRAWER FRONT BRACKETS (10G). Use four BLACK 9/16" LARGE HEAD SCREWS (1S).

2



✚ Slide the DRAWER BOTTOM (D953) into the grooves in the DRAWER SIDES (D48 and D49) and DRAWER FRONT (Q).

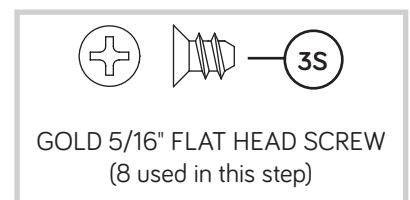
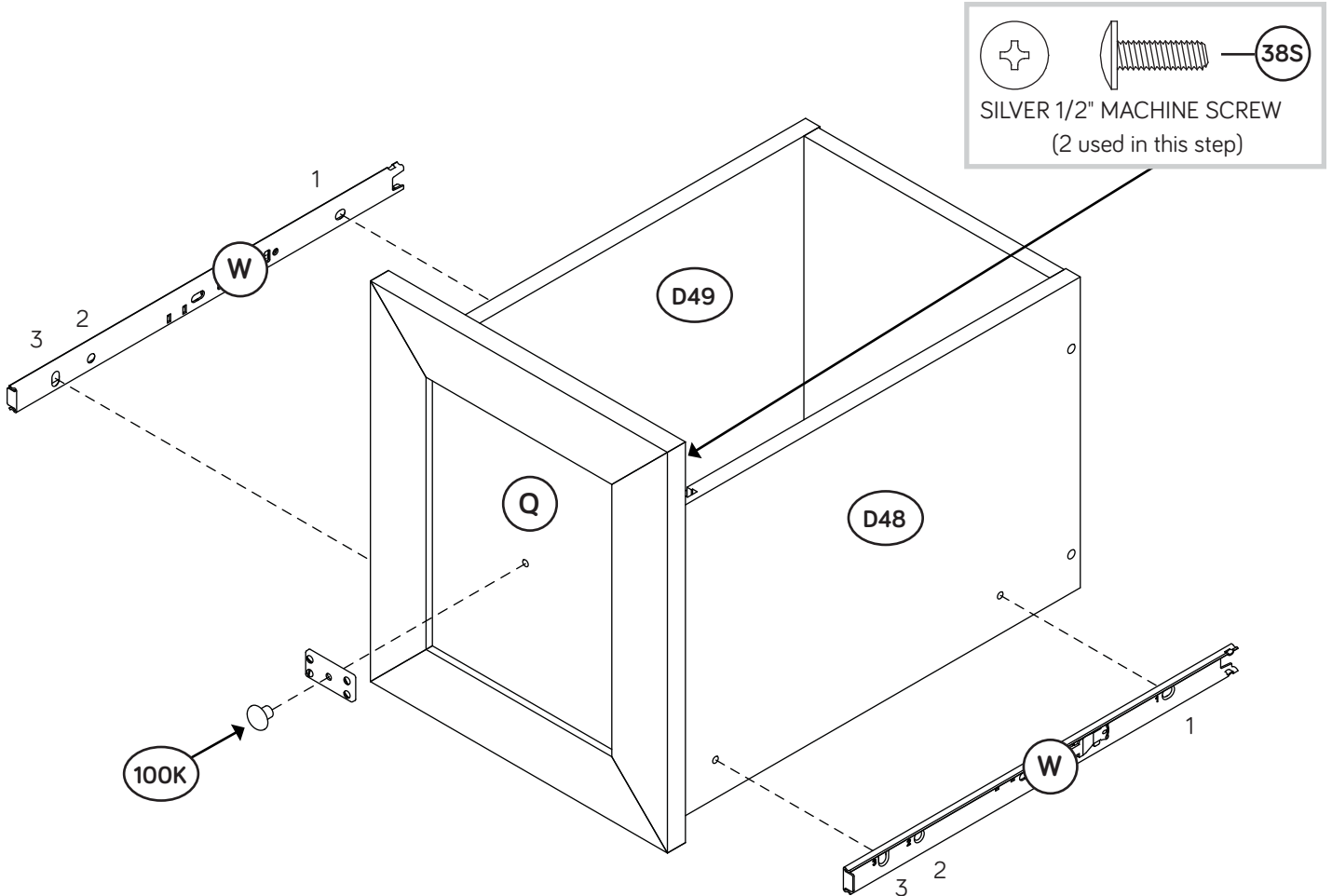
3



✚ Fasten the DRAWER BACK (D151) to the DRAWER SIDES (D48 and D49). Use four BLACK 1-9/16" FLAT HEAD SCREWS (30S). Repeat this step for the other drawer.

# Step 16

- Fasten the EXTENSION SLIDES (W) to the DRAWER SIDES (D48 and D49). Use four GOLD 5/16" FLAT HEAD SCREWS (3S) through holes #1 and #3.
- Fasten a KNOB SET (100K) to the DRAWER FRONT (Q). Use a SILVER 1/2" MACHINE SCREW (38S). Repeat this step for the other drawer.



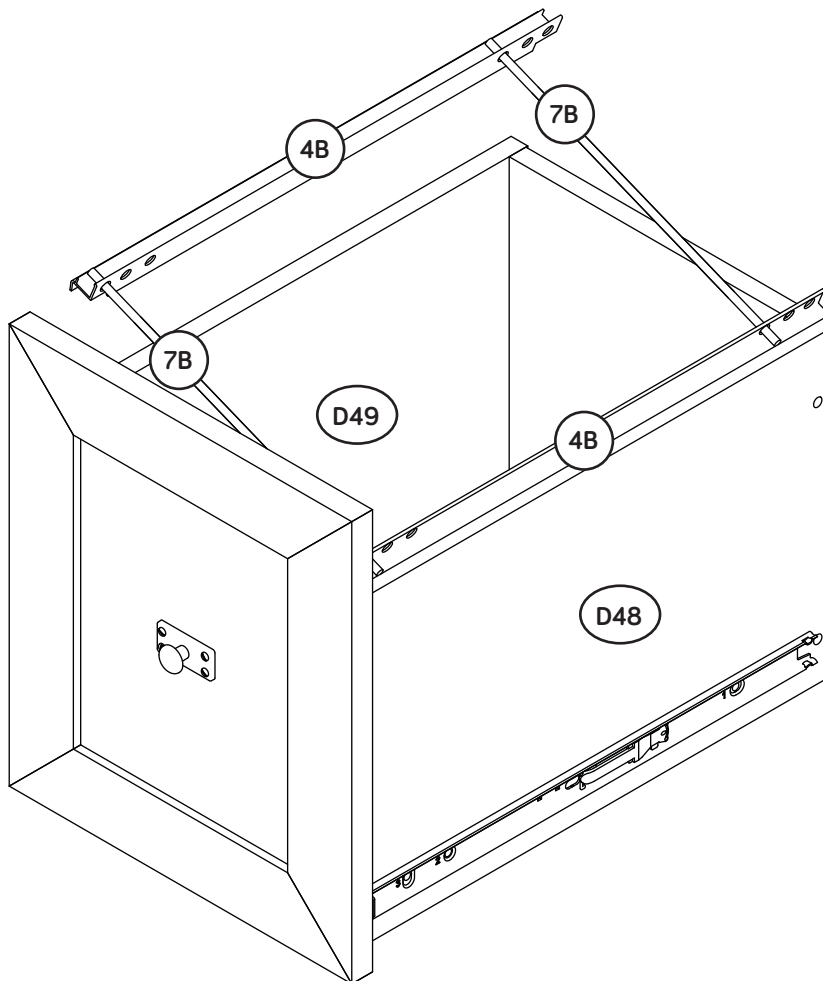
# Step 17

- ✚ Push a FILE GLIDE (4B) onto the DRAWER RIGHT SIDE (D48).
- ✚ Slide the FILE RODS (7B) into the FILE GLIDE (4B) on the DRAWER RIGHT SIDE (D48).
- ✚ Slide another FILE GLIDE (4B) onto the other end of the FILE RODS (7B), then press this FILE GLIDE over the DRAWER LEFT SIDE (D49).

Zzz

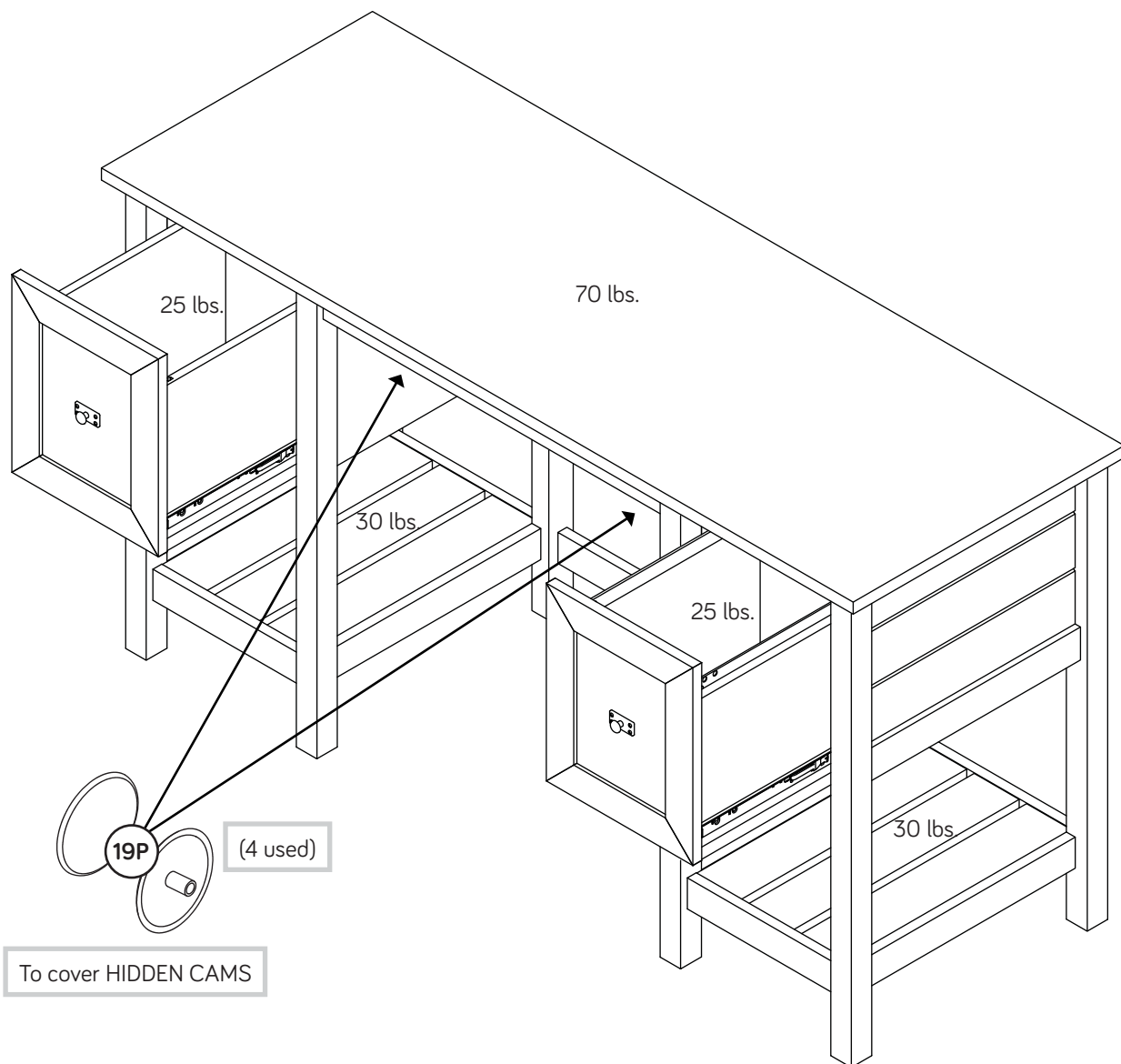
Almost time to celebrate! With a nap.

Insert the FILE RODS into the holes of your choice in the FILE GLIDES, depending on your file sizes.



# Step 18

- ✚ To insert the drawers into your unit, line up the EXTENSION SLIDES on the drawer with the EXTENSION RAILS on the unit and push the drawer into the unit until the drawer is fully inserted. The drawers will push in hard until it is all the way in, then it will slide in and out easier.
- ✚ Push a CAM COVER (19P) onto each HIDDEN CAM.
- ✚ **NOTE:** Please read the back pages of the instruction booklet for important safety information.
- ✚ This completes assembly. Clean with your favorite furniture polish or a damp cloth. Wipe dry.



**⚠ WARNING**

Please use your furniture correctly and safely. Improper use can cause safety hazards, or damage to your furniture or household items. *Carefully read the following chart.*

Look out for:	What can happen:	How to avoid the problem:
<ul style="list-style-type: none"> <li>Overloaded shelves and drawers.</li> <li>Improper loading can cause the product to be top-heavy.</li> </ul>	<ul style="list-style-type: none"> <li>Risk of injury.</li> <li>Top-heavy furniture can tip over.</li> <li>Overloaded shelves and drawers can break.</li> </ul>	<ul style="list-style-type: none"> <li>Never exceed the weight limits shown in the instructions.</li> <li>Work from bottom to top when loading shelves and drawers. Place the heavier items on the lower shelves or in lower drawers.</li> </ul>
<ul style="list-style-type: none"> <li>Improperly moving furniture that is not designed and equipped with casters.</li> </ul>	<ul style="list-style-type: none"> <li>Furniture can tip over or break if improperly moved.</li> <li>Physical injury. Furniture can be very heavy.</li> <li>Breakage of tops - particularly with double pedestal furniture (drawers at both ends).</li> </ul>	<ul style="list-style-type: none"> <li>Unload shelves and drawers from top to bottom before moving the unit.</li> <li>Do not push furniture, especially on a carpeted floor. Have a friend help you lift the item and set it in place.</li> <li>Provide support to the center section of the top when lifting the furniture.</li> </ul>
<ul style="list-style-type: none"> <li>Placing TVs on furniture items that are not designed to support a television is hazardous.</li> </ul>	<ul style="list-style-type: none"> <li>Risk of injury or death. TVs can be very heavy. Plus the weight and location of the picture tube tends to make TVs unbalanced and prone to tipping forward.</li> </ul>	<ul style="list-style-type: none"> <li>This product is not designed to support a television.</li> </ul>