

For **all** your
newfangled **gadgets**.

ChalkedWood Computer Desk

Model 5418793

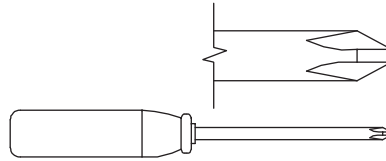
NOTE: THIS INSTRUCTION
BOOKLET CONTAINS **IMPORTANT**
SAFETY INFORMATION.

PLEASE READ AND KEEP FOR
FUTURE REFERENCE.

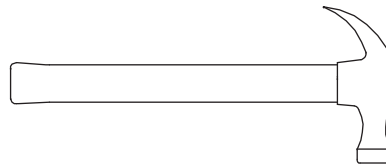
Table of Contents

Assembly Tools Required

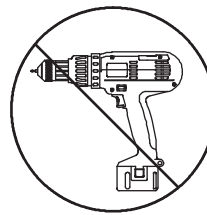
Part Identification	2-3
Hardware Identification	4-5
Assembly Steps	6-29



No. 2 Phillips Screwdriver
Tip Shown Actual Size



Hammer
Not actual size 😊



Skip the power trip.
This time.

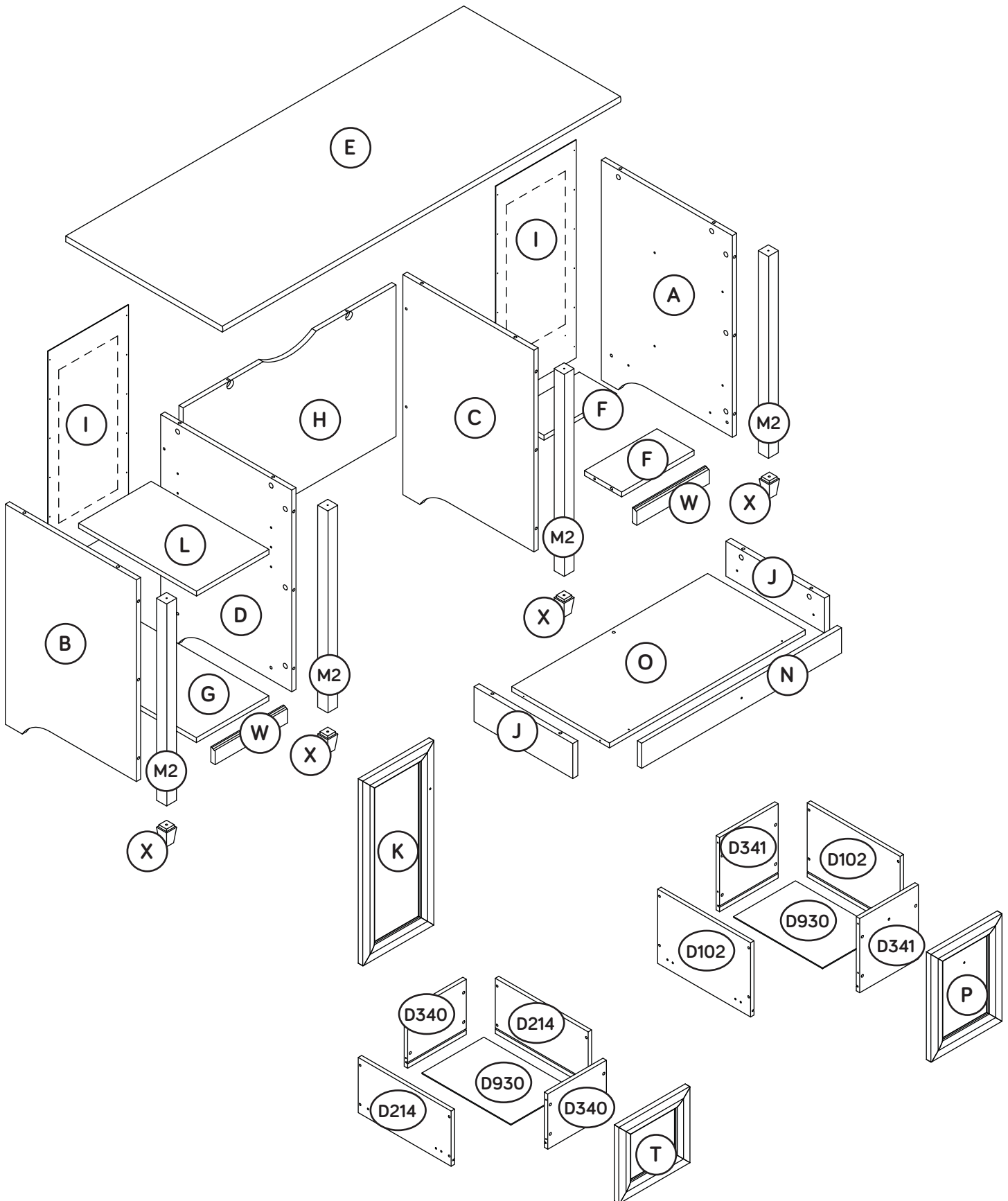
Part Identification

⚠ While not all parts are labeled, some of the parts will have a label or an inked letter on the edge to help distinguish similar parts from each other. Use this part identification to help identify similar parts.

A	RIGHT END (1)	D930	DRAWER BOTTOM (2)	L	ADJUSTABLE SHELF (1)
B	LEFT END (1)	E	TOP (1)	M2	LEG (4)
C	RIGHT UPRIGHT (1)	F	RIGHT BOTTOM (2)	N	KEYBOARD FRONT (1)
D	LEFT UPRIGHT (1)	G	LEFT BOTTOM (1)	O	KEYBOARD SHELF (1)
D102	LARGE DRAWER SIDE (2)	H	MODESTY PANEL (1)	P	LARGE DRAWER FRONT (1)
D214	SMALL DRAWER SIDE (2)	I	BACK (2)	T	SMALL DRAWER FRONT (1)
D340	SMALL DRAWER BOX FRONT (2)	J	KEYBOARD BRACE (2)	W	BOTTOM MOLDING (2)
D341	LARGE DRAWER BOX FRONT (2)	K	DOOR (1)	X	FOOT (4)

Part Identification

Now you know
our ABCs.



Hardware Identification

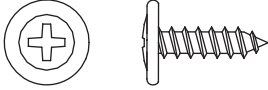
† Screws are shown actual size. You may receive extra hardware with your unit.



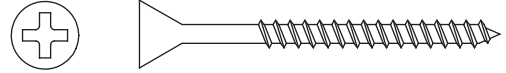
Hardware Identification

† Screws are shown actual size. You may receive extra hardware with your unit.

1S BLACK 9/16" LARGE HEAD SCREW - 9



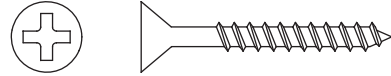
2S BLACK 1-7/8" FLAT HEAD SCREW - 4



3S GOLD 5/16" FLAT HEAD SCREW - 20



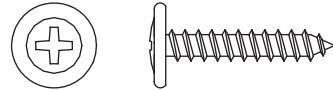
7S BLACK 1-1/4" FLAT HEAD SCREW - 16



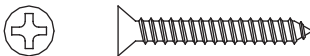
11S BLACK 1/2" FLAT HEAD SCREW - 4



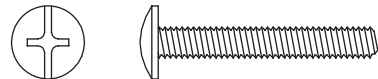
17S BLACK 7/8" LARGE HEAD SCREW - 8



18S BROWN 1" FLAT HEAD SCREW - 4



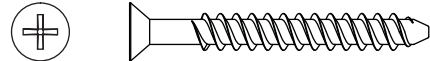
21S BLACK 1-1/8" MACHINE SCREW - 3



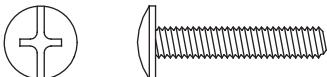
23S SILVER 5/8" FLAT HEAD SCREW - 4



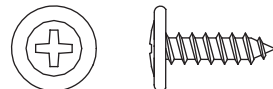
30S BLACK 1-9/16" FLAT HEAD SCREW - 4



37S BLACK 7/8" MACHINE SCREW - 1



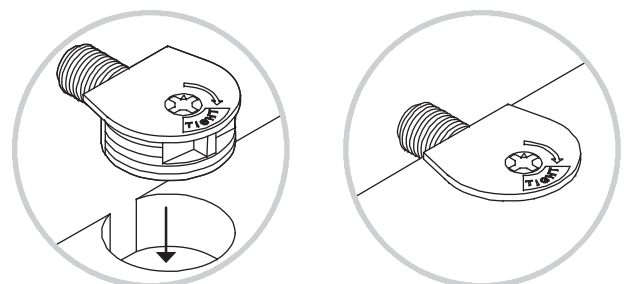
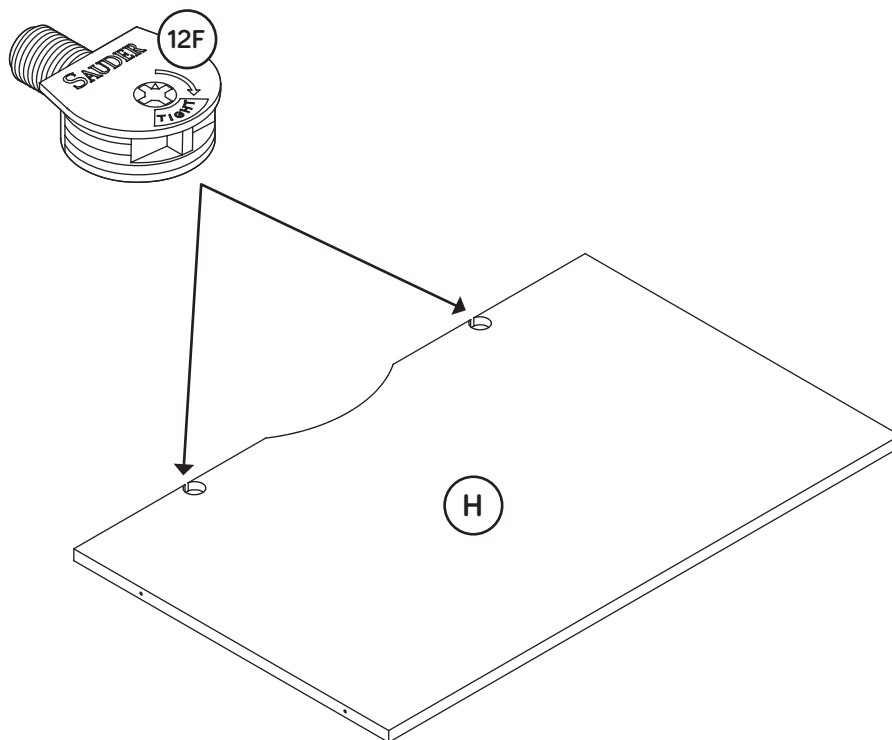
54S SILVER 9/16" LARGE HEAD SCREW - 2



Step 1

- ✦ Assemble your unit on a carpeted floor or on the empty carton to avoid scratching your unit or the floor.
- ✦ To begin assembly, push two SAUDER TWIST-LOCK® FASTENERS (12F) into the large holes in the MODESTY PANEL (H).

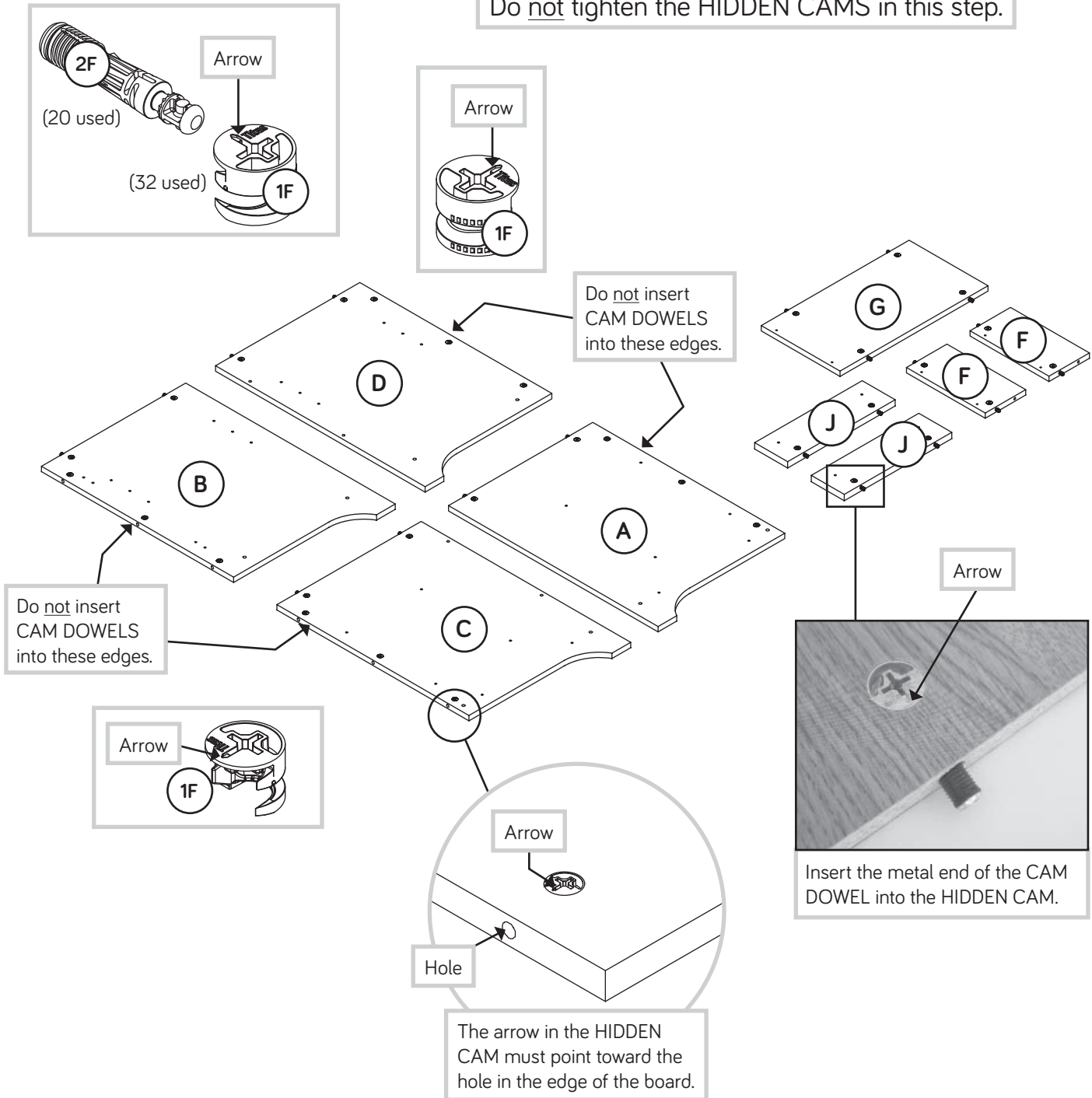
Do not tighten the TWIST-LOCK® FASTENERS in this step.



Step 2

- Push thirty-two HIDDEN CAMS (1F) into the ENDS (A and B), UPRIGHTS (C and D), BOTTOMS (F and G), and KEYBOARD BRACES (J). Then, insert a CAM DOWEL (2F) into each HIDDEN CAM, except for the CAMS in the long edges of the ENDS and UPRIGHTS.

Do not tighten the HIDDEN CAMS in this step.



Step 3

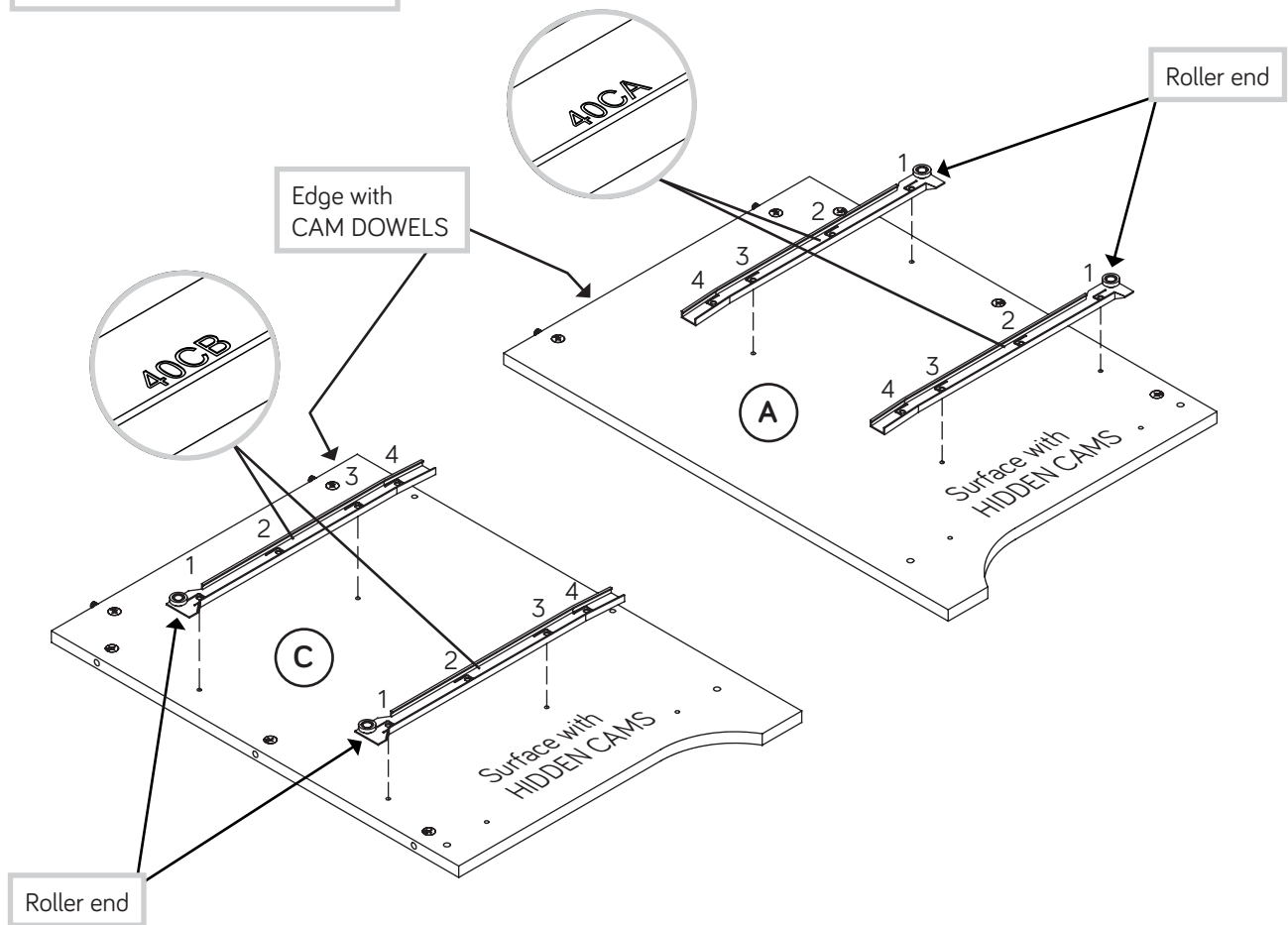
Fasten the CABINET RIGHTS (40CA) and CABINET LEFTS (40CB) to the RIGHT END (A) and RIGHT UPRIGHT (C). Use eight GOLD 5/16" FLAT HEAD SCREWS (3S) through holes #1 and #3.



Remember:
Righty tighty.
Lefty loosey.



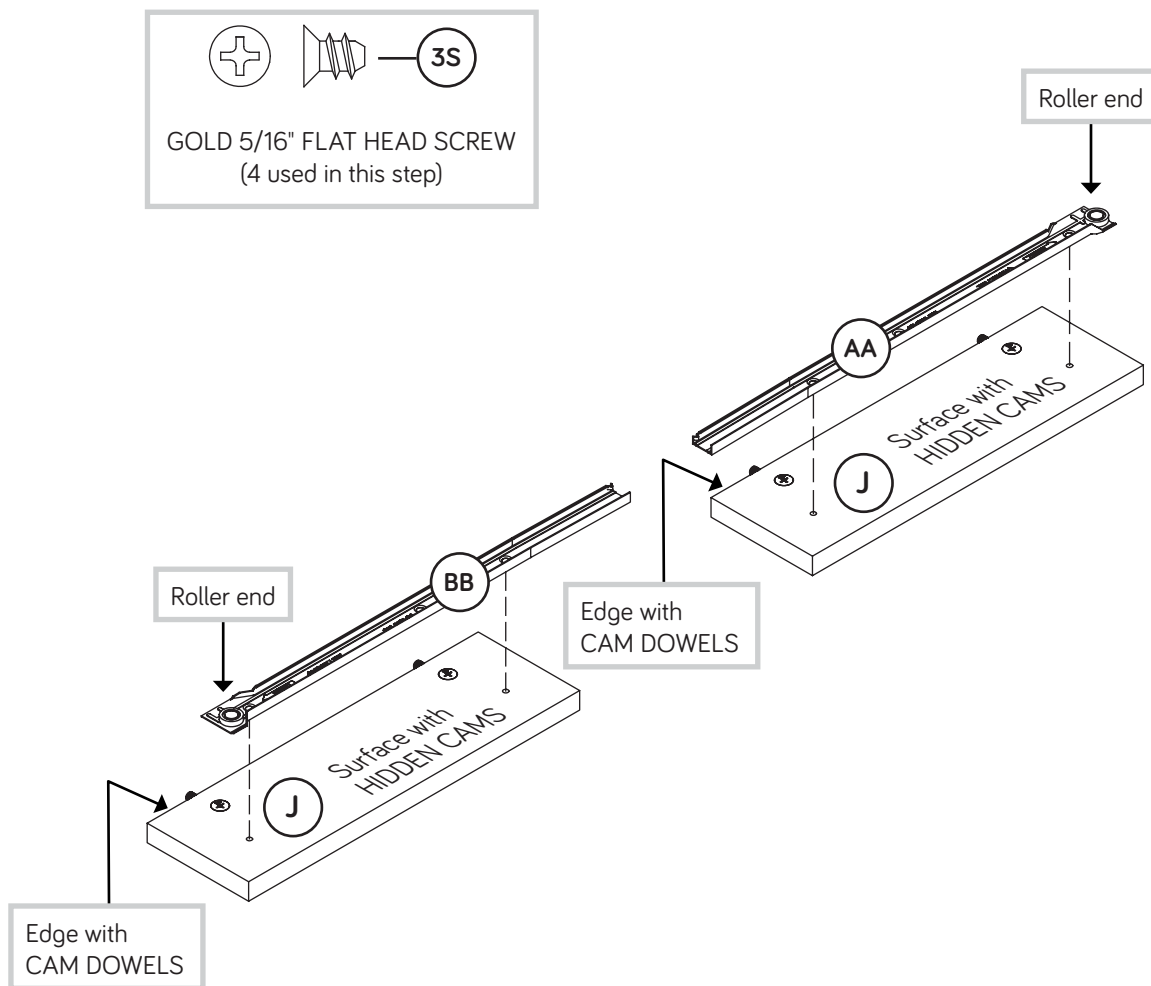
GOLD 5/16" FLAT HEAD SCREW
(8 used in this step)



Step 4

Fasten the BLACK CABINET RAILS (AA and BB) to the KEYBOARD BRACES (J). Use four GOLD 5/16" FLAT HEAD SCREWS (3S).

NOTE: The CABINET RAILS are marked "CABINET RIGHT" and "CABINET LEFT" for easy identification.

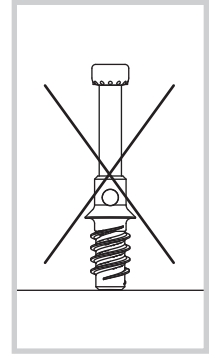
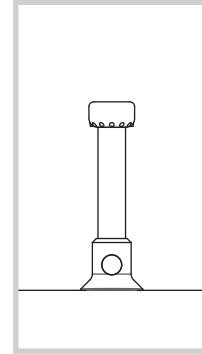
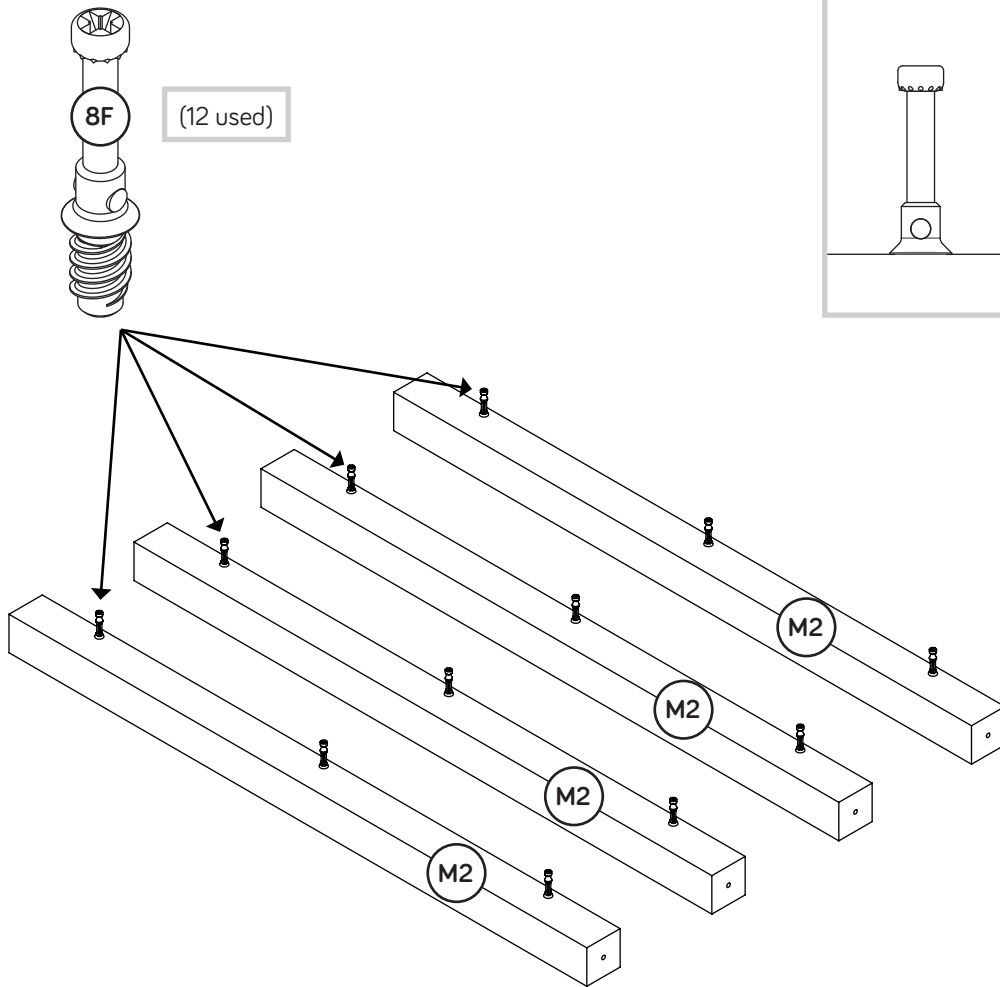


Step 5

Turn twelve CAM SCREWS (8F) into the LEGS (M2).

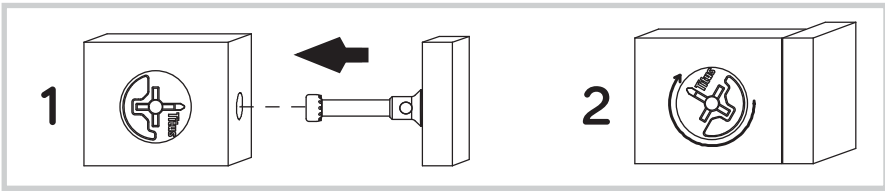
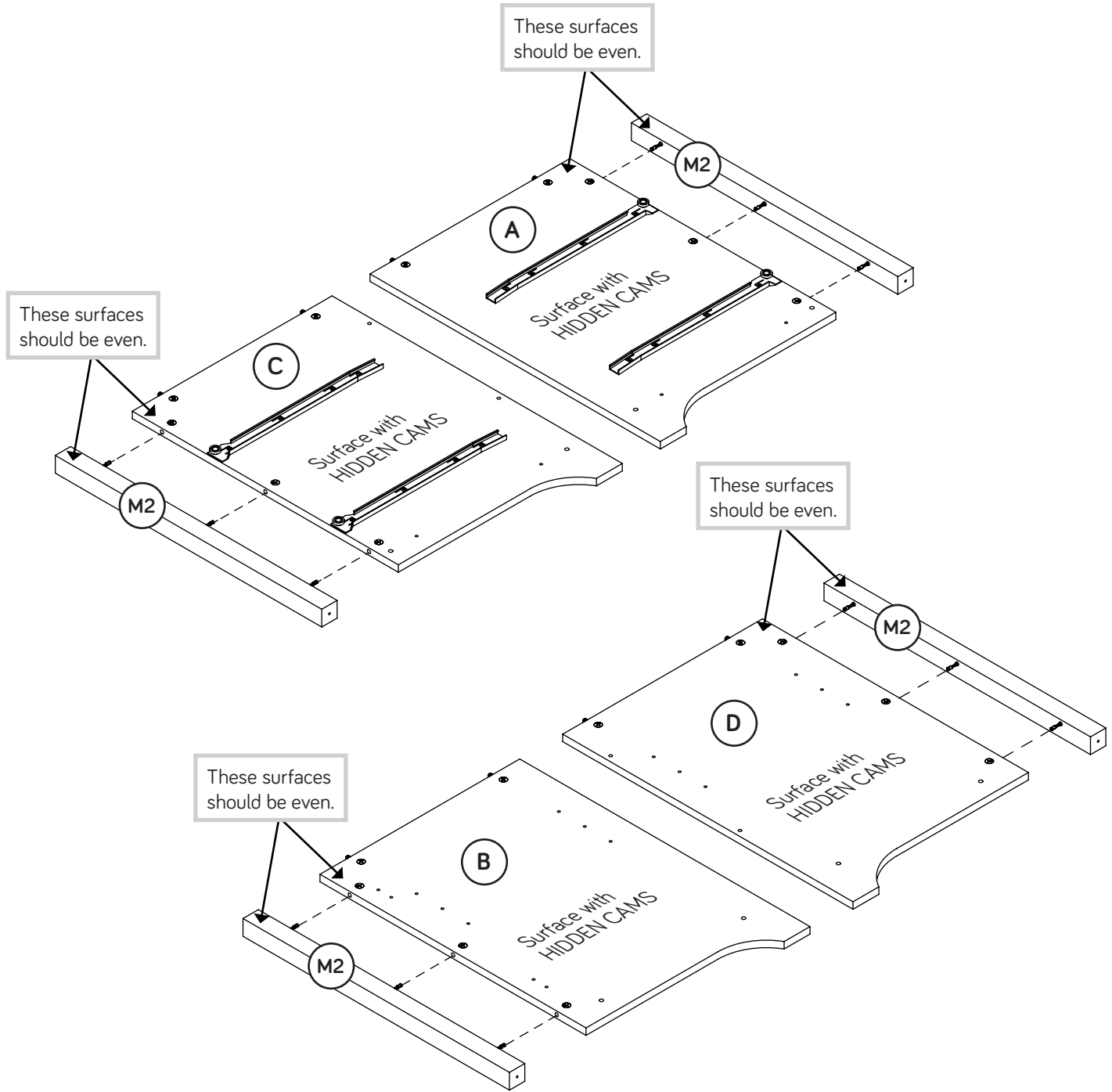


Remember:
Righty tighty.
Lefty loosey.



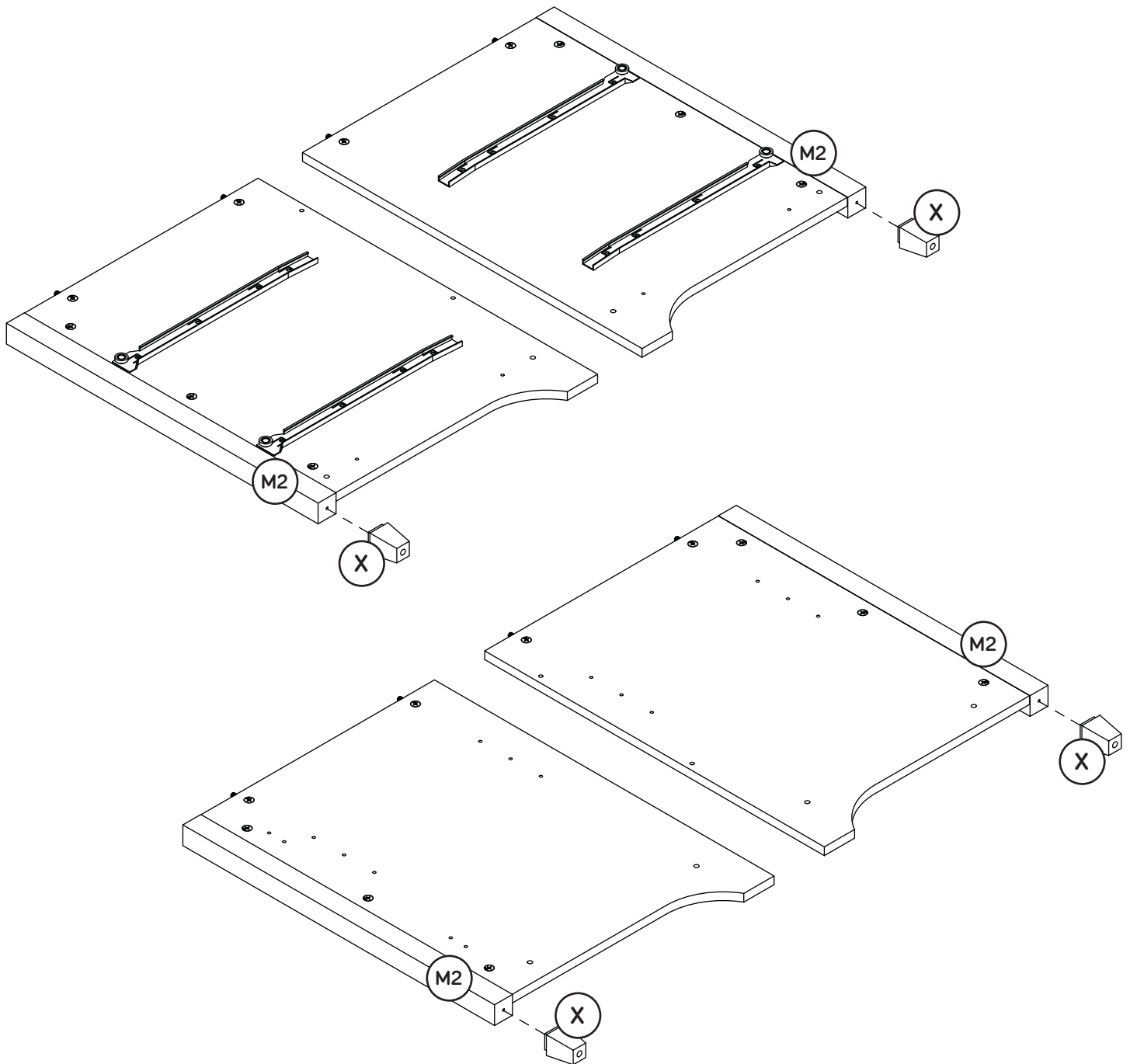
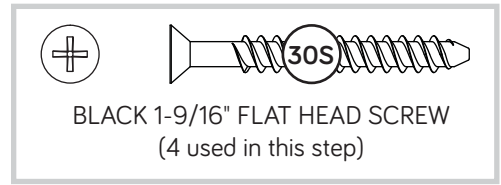
Step 6

- Fasten the LEGS (M2) to the ENDS (A and B) and UPRIGHTS (C and D). Tighten twelve HIDDEN CAMS.



Step 7

Fasten a FOOT (X) to each LEG (M2). Use four BLACK BLACK 1-9/16" FLAT HEAD SCREWS (30S).



Step 8

- Fasten the MODESTY PANEL (H) to the TOP (E). Tighten two TWIST-LOCK® FASTENERS.



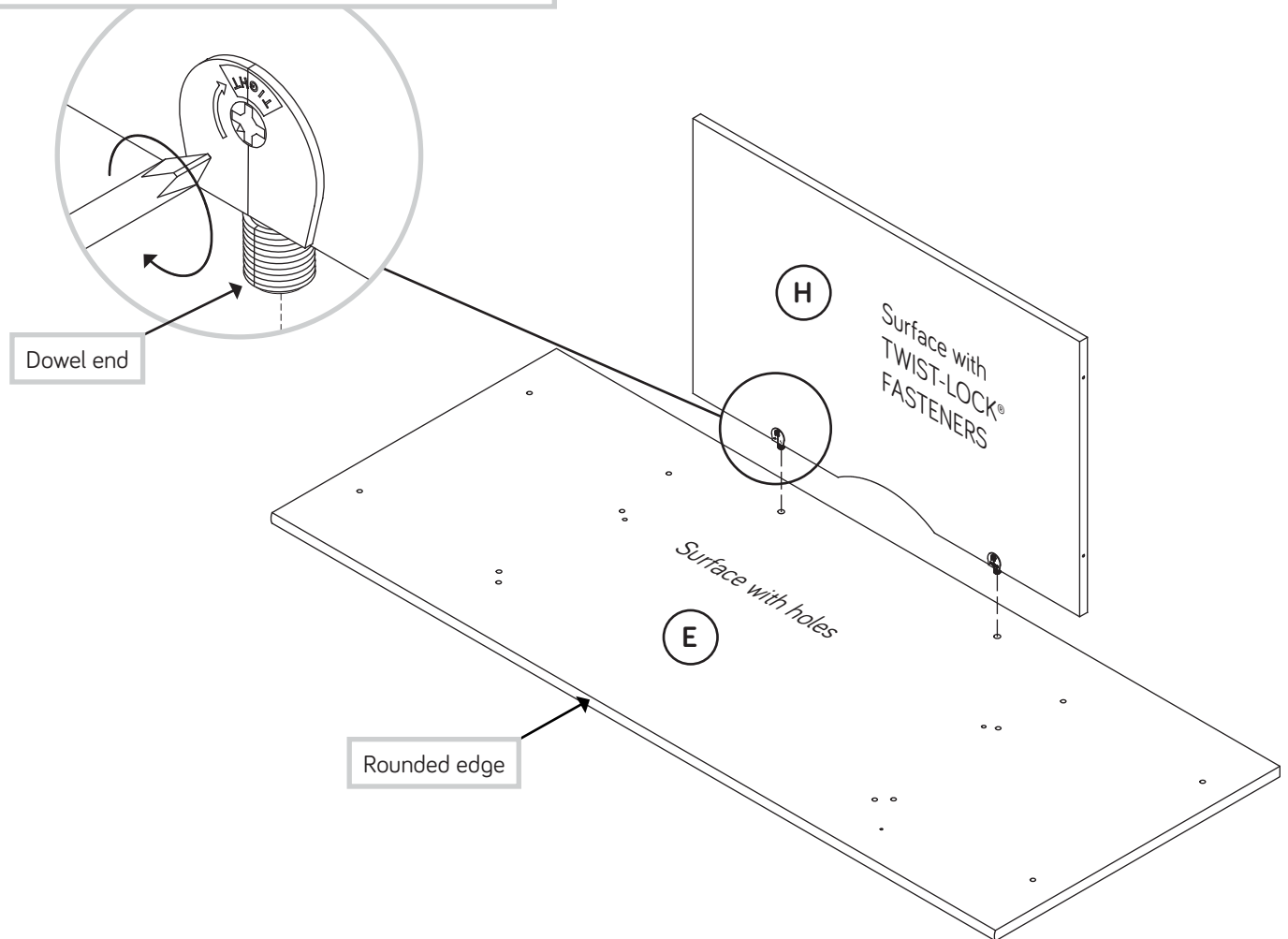
Do not stand the unit upright without the BACK fastened. The unit may collapse.

How to use the SAUDER TWIST-LOCK® FASTENER

1. Insert the dowel end of the FASTENER into the hole of the adjoining part.

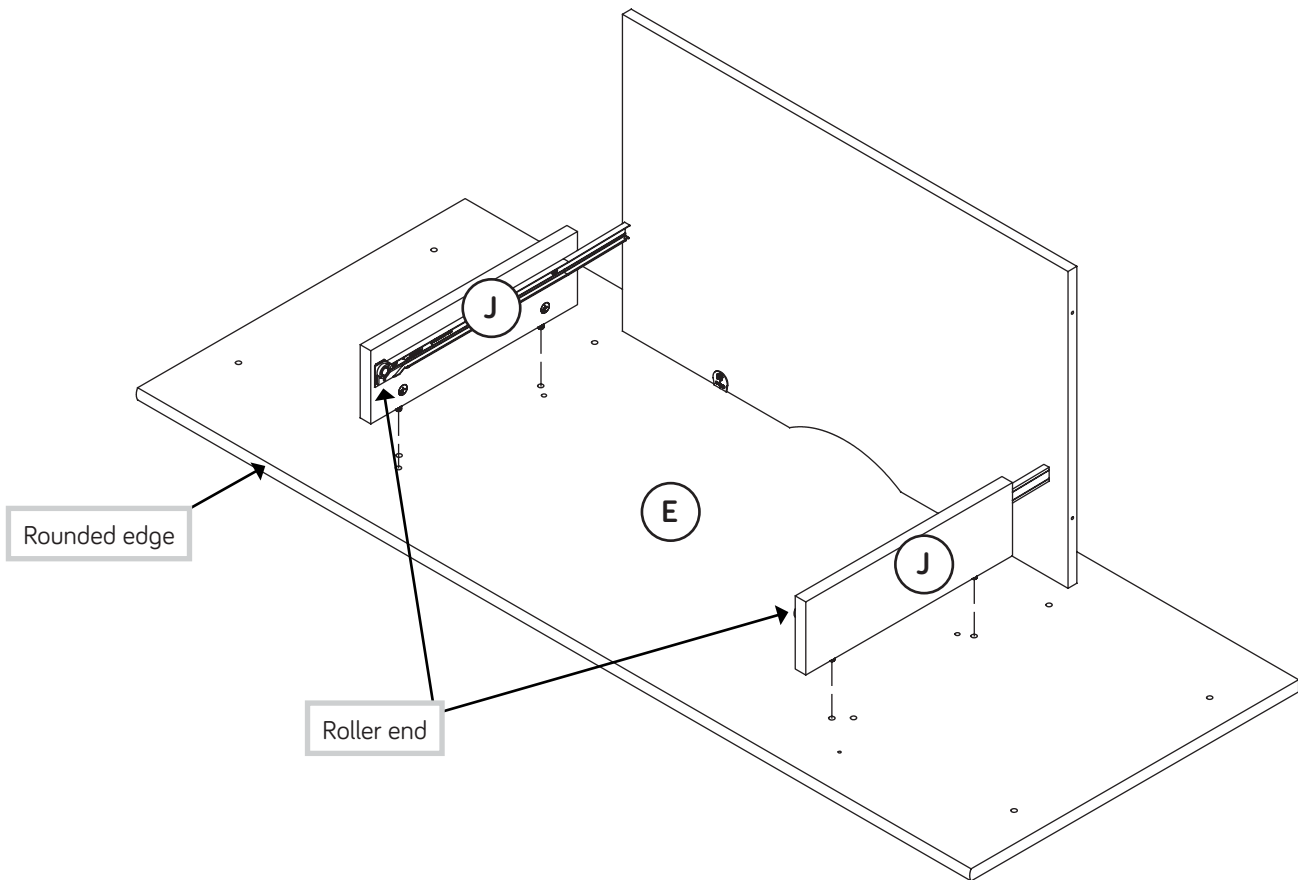
NOTE: The dowel end of the FASTENER must remain fully inserted in the hole of the adjoining part while locking the FASTENER.

2. Tighten the FASTENER with a Phillips screwdriver as tight as possible.



Step 9

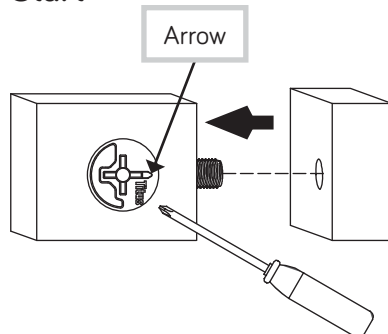
- Fasten the KEYBOARD BRACES (J) to the TOP (E).
- Tighten four HIDDEN CAMS.



⚠ Caution

Risk of damage or injury. HIDDEN CAMS must be completely tightened. HIDDEN CAMS that are not completely tightened may loosen, and parts may separate. To completely tighten:

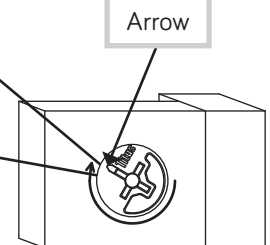
Start



Tighten

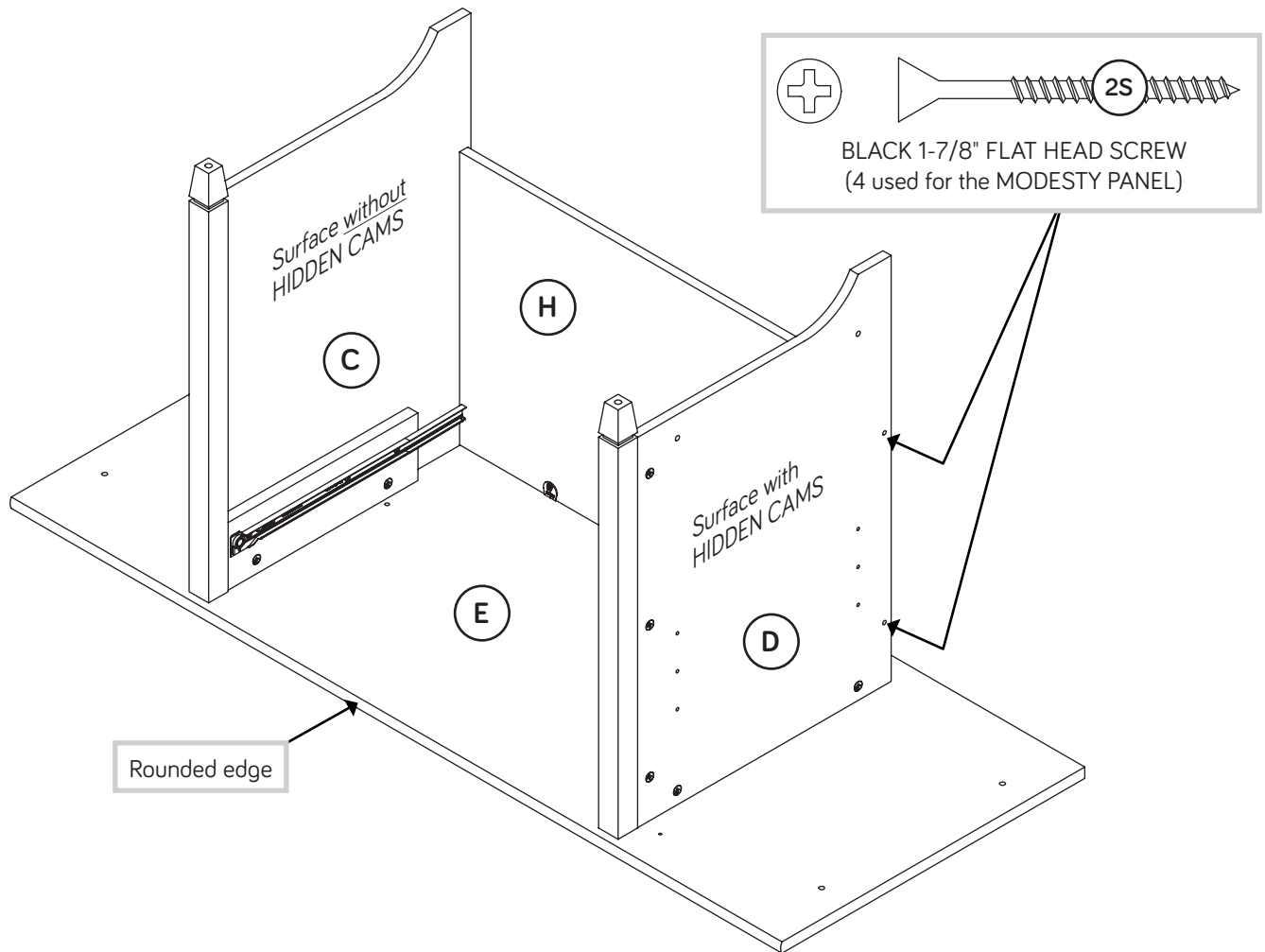
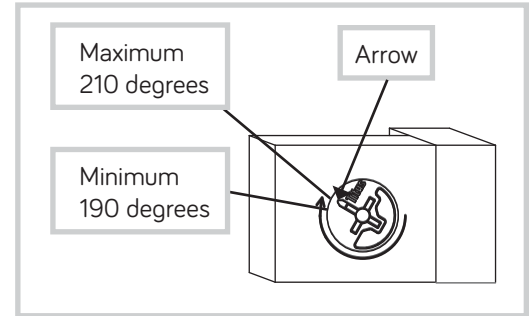
Maximum 210 degrees

Minimum 190 degrees



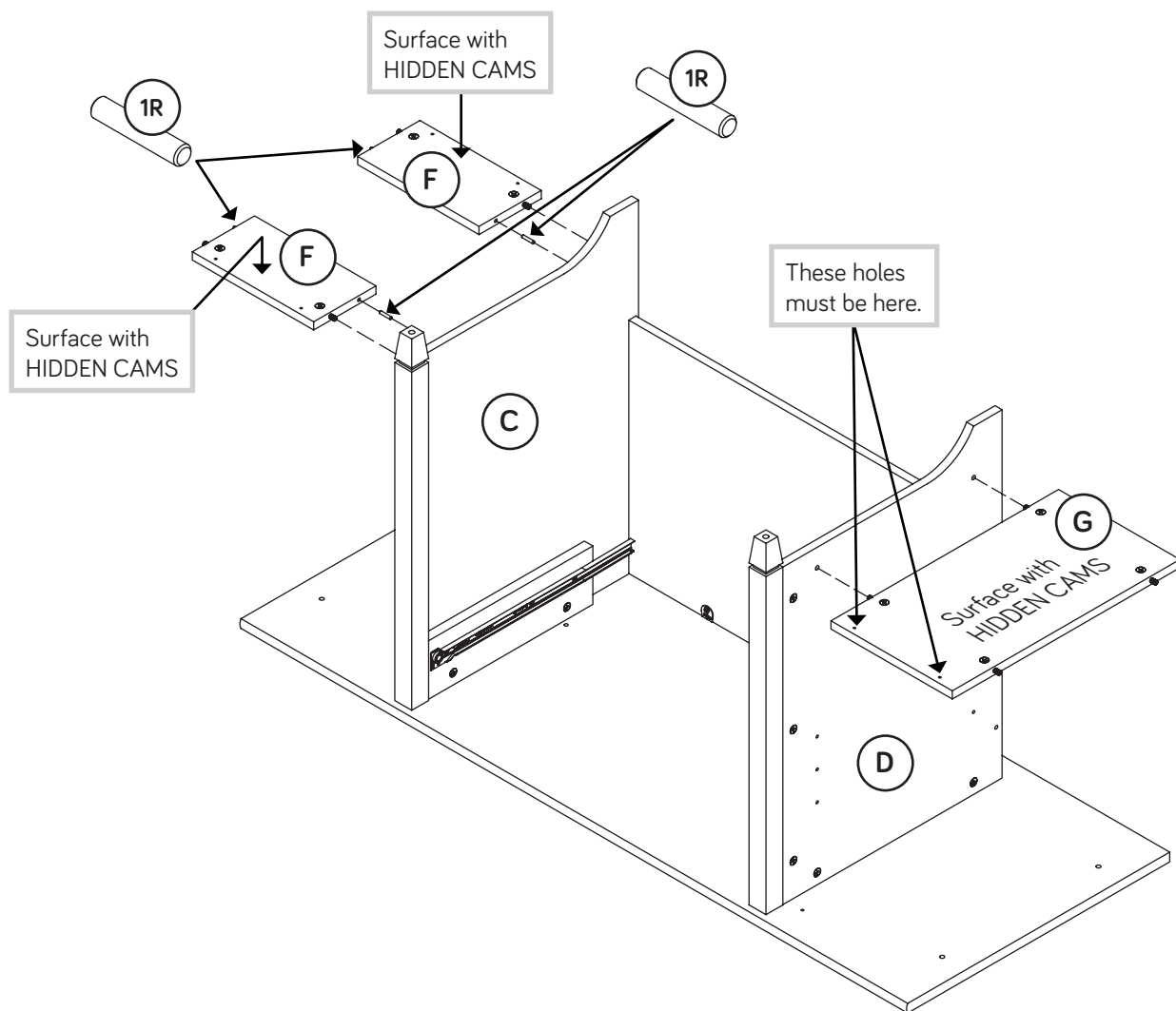
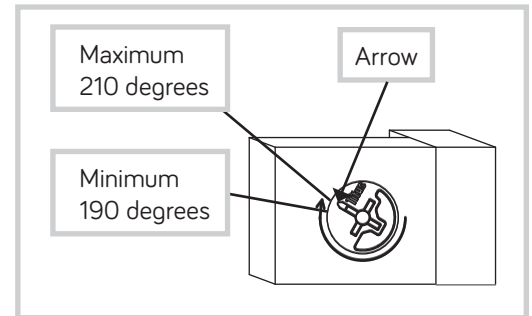
Step 10

- Fasten the UPRIGHTS (C and D) to the TOP (E). Tighten four HIDDEN CAMS.
- Fasten the UPRIGHTS (C and D) to the MODESTY PANEL (H). Use four BLACK 1-7/8" FLAT HEAD SCREWS (2S).



Step 11

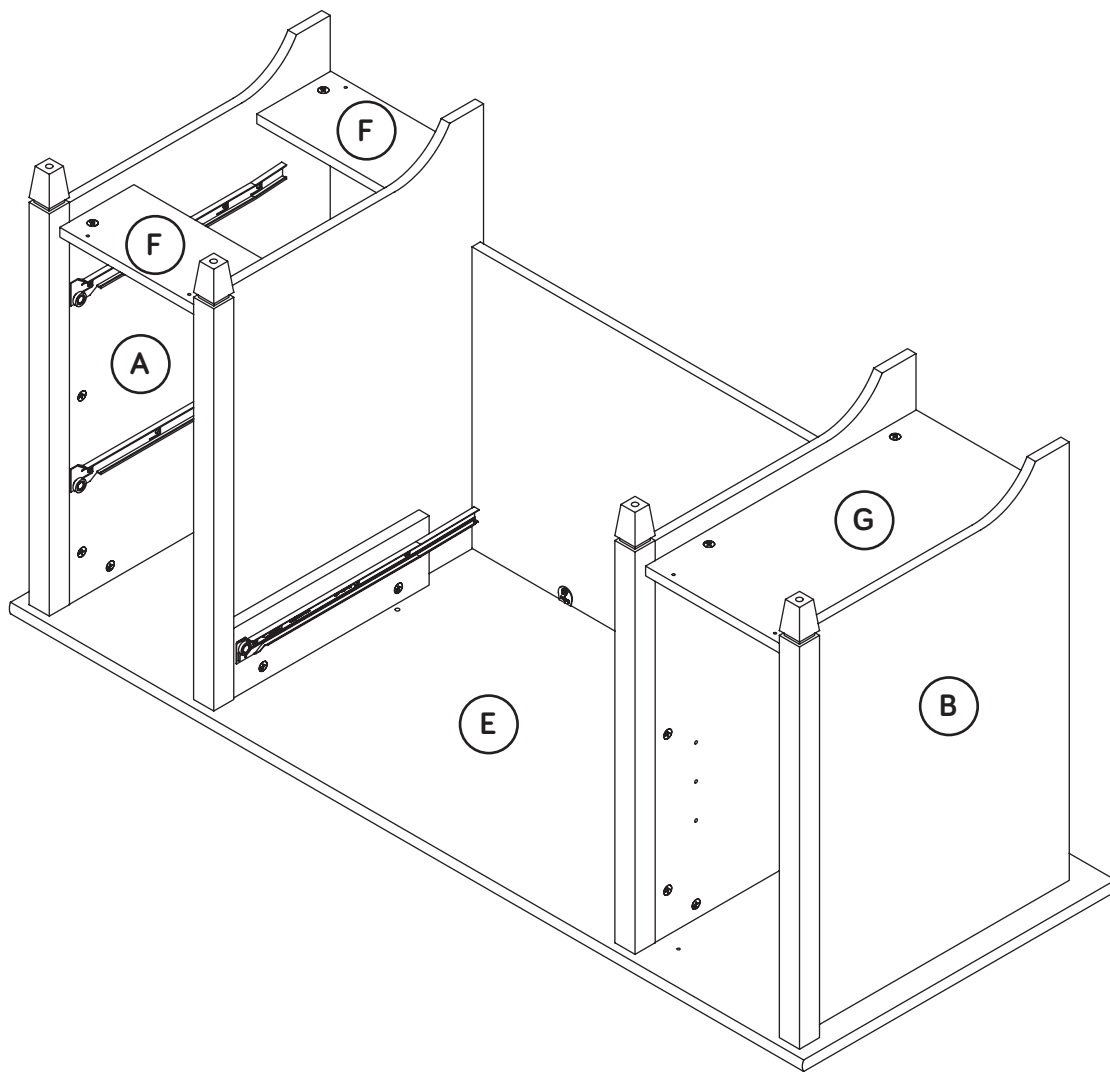
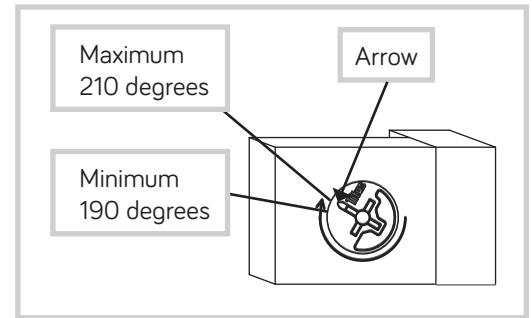
- ✚ Insert four METAL PINS (1R) into the RIGHT BOTTOMS (F).
- ✚ Fasten the BOTTOMS (F and G) to the UPRIGHTS (C and D). Tighten four HIDDEN CAMS.
- ✚ NOTE: Be sure the METAL PINS in the RIGHT BOTTOMS insert into the holes in the RIGHT UPRIGHT.



Step 12

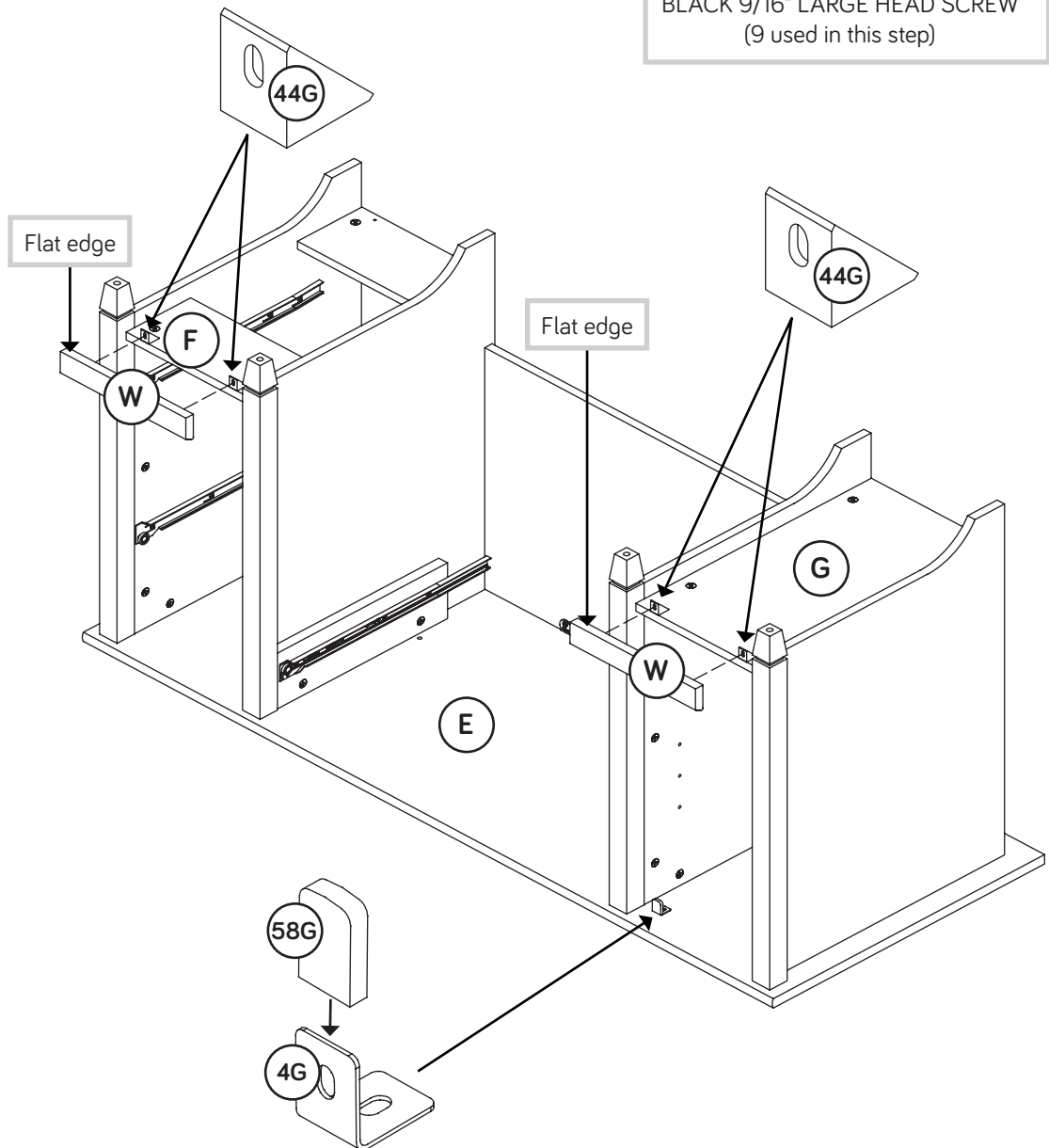
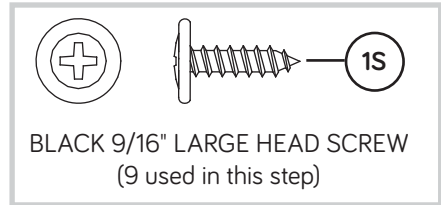
Fasten the ENDS (A and B) to the BOTTOMS (F and G) and TOP (E). Tighten eight HIDDEN CAMS.

NOTE: Be sure the METAL PINS in the RIGHT BOTTOMS insert into the holes in the RIGHT END.



Step 13

- Fasten four ANGLE BRACKETS (44G) to the BOTTOMS (F and G). Use four BLACK 9/16" LARGE HEAD SCREW (1S).
- NOTE:** Be sure the edges of the ANGLE BRACKETS are even with the edge of the BOTTOMS.
- Fasten the BOTTOM MOLDINGS (W) to the ANGLE BRACKETS. Use four BLACK 9/16" LARGE HEAD SCREWS (1S).
- Fasten the METAL BRACKET (4G) to the TOP (E). Use a BLACK 9/16" LARGE HEAD SCREW (1S).
- Push the LARGE RUBBER SLEEVE (58G) onto the METAL BRACKET (4G). The RUBBER SLEEVE will be a tight fit.

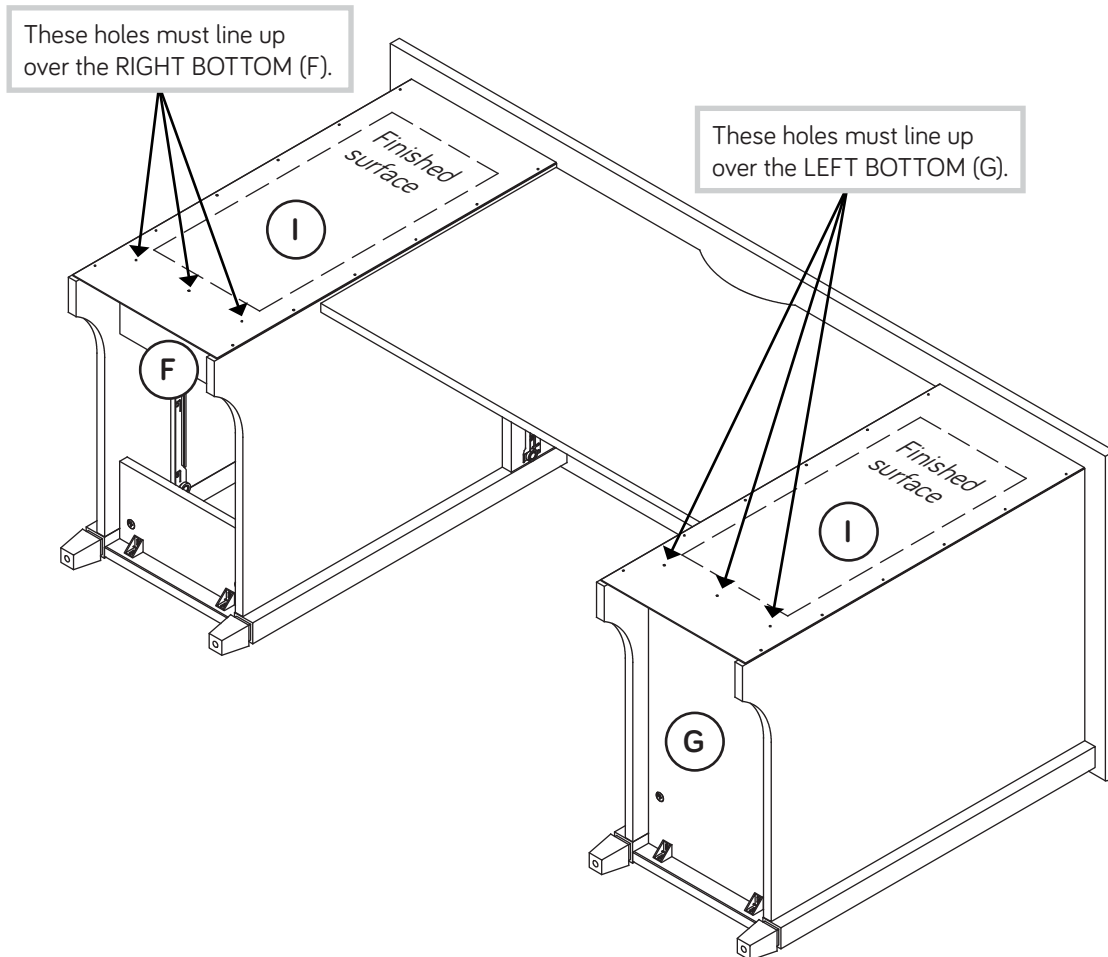
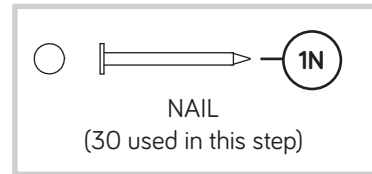


Step 14

- ✚ Carefully turn your unit over onto its front edges. Place the BACKS (I) over the ENDS and UPRIGHTS.
- ✚ Make equal margins along the sides of the BACKS (I). Push on opposite corners of your unit if needed to make it "square".
- ✚ Fasten the BACKS (I) to your unit using the NAILS (1N).
- ✚ **NOTE:** Be sure to tap NAILS into the holes that line up over the BOTTOMS (F and G).
- ✚ **NOTE:** Perforations have been provided for access through the BACK. Carefully cut out the rectangle in the BACK for proper ventilation of your CPU.

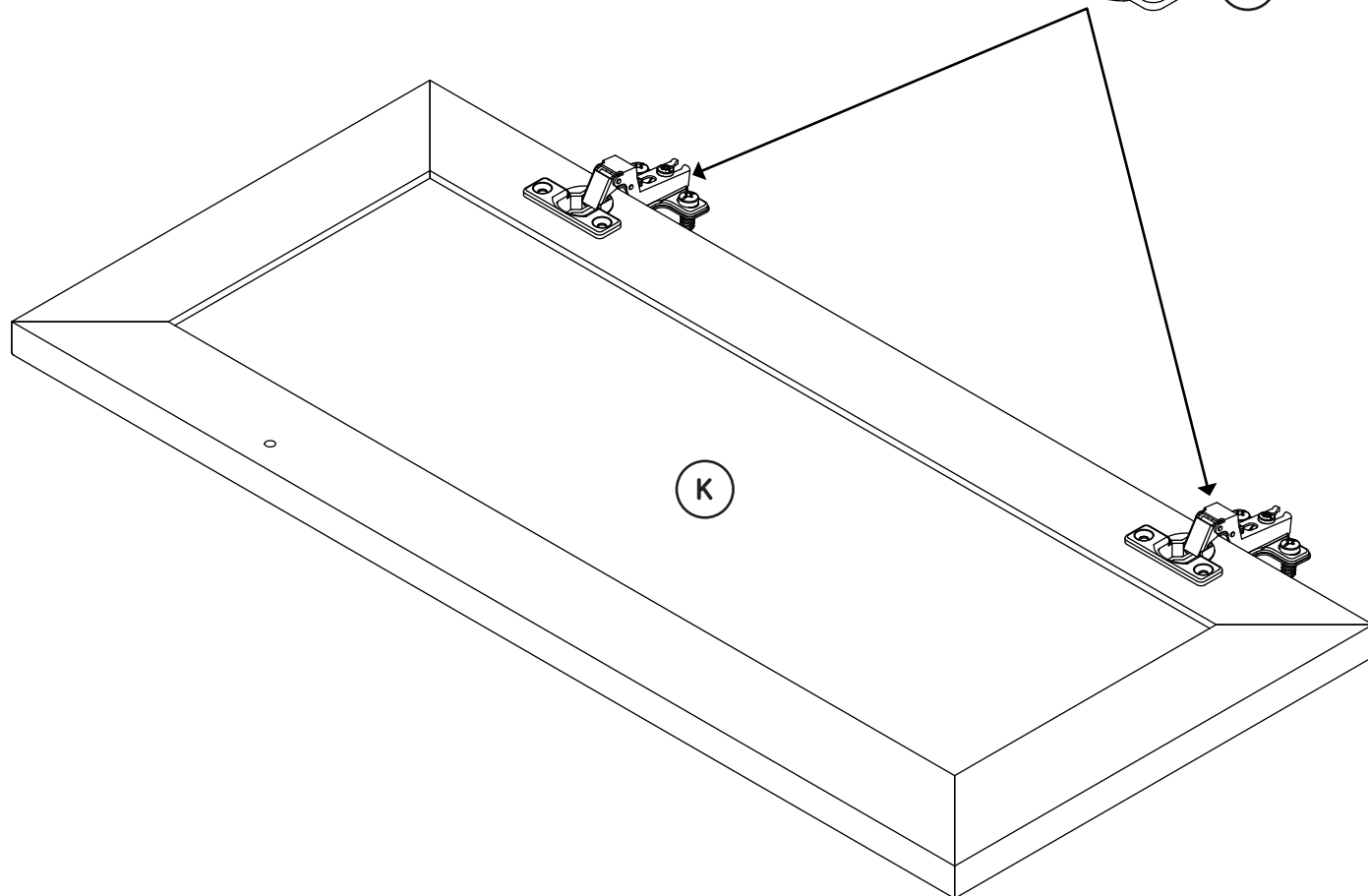
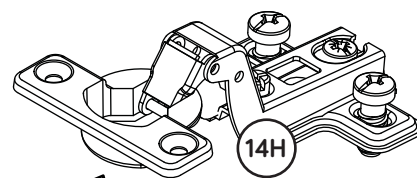
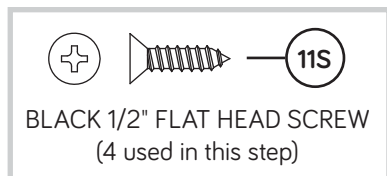


Do not stand the unit upright without the BACK fastened. The unit may collapse.



Step 15

- Fasten two HINGES (14H) to the DOOR (K). Use four BLACK 1/2" FLAT HEAD SCREWS (11S).

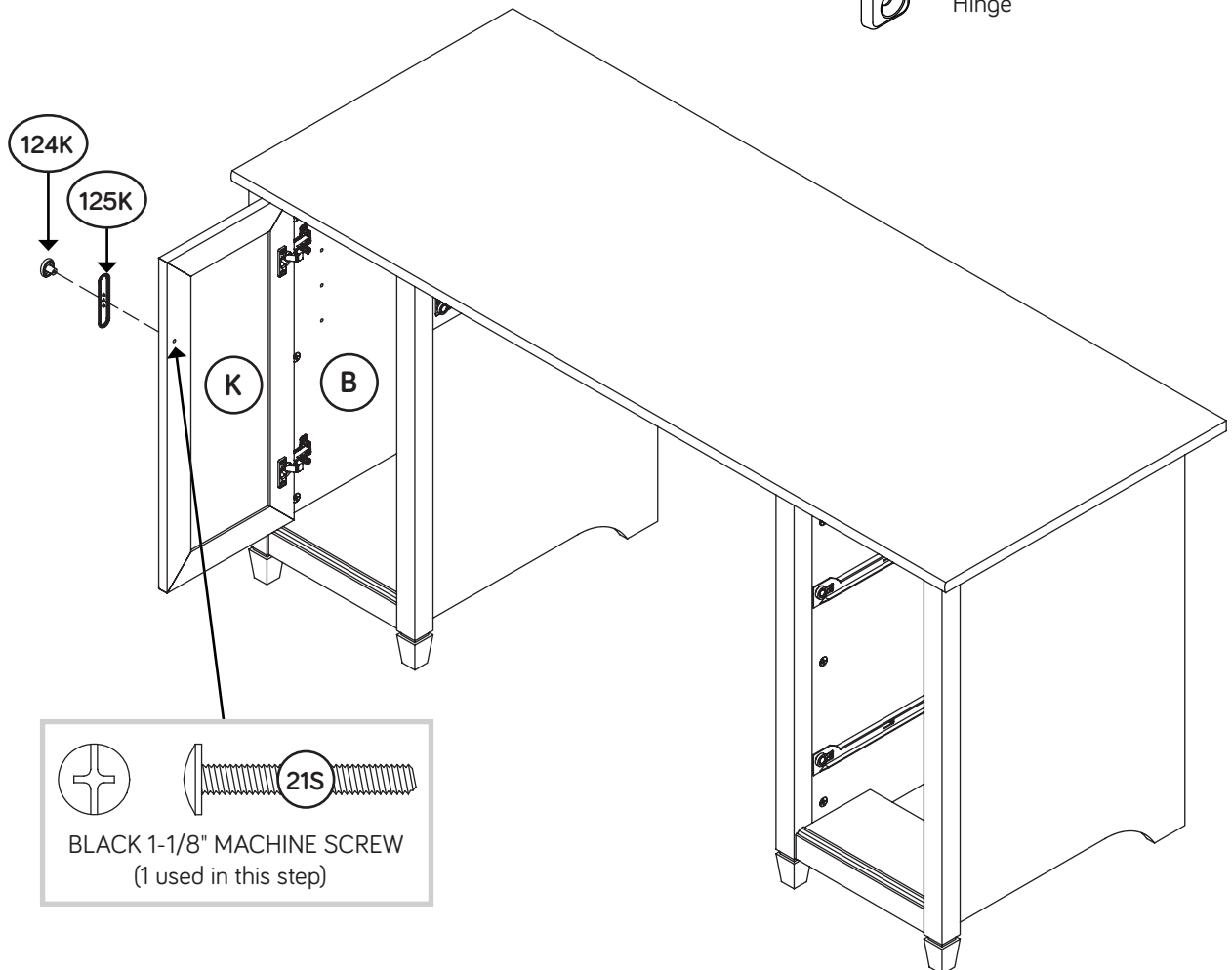
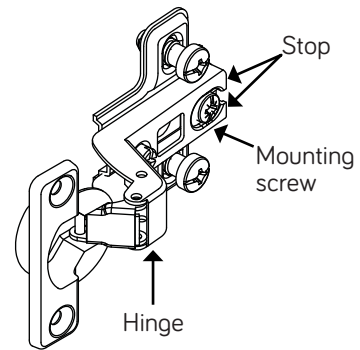


Step 16

- ✚ Carefully stand your unit upright.
- ✚ Before fastening the DOOR to your unit, be sure the mounting screw is against the stops as shown in the right diagram. If it isn't, loosen the mounting screw to slide it against the stops. Then tighten the mounting screw.
- ✚ Fasten the DOOR (K) to the LEFT END (B). Use the screws in the HINGES. See the next step for adjustments.
- ✚ Fasten a BACKPLATE (125K) and KNOB (124K) to the DOOR (K). Use a BLACK 1-1/8" MACHINE SCREW (21S).



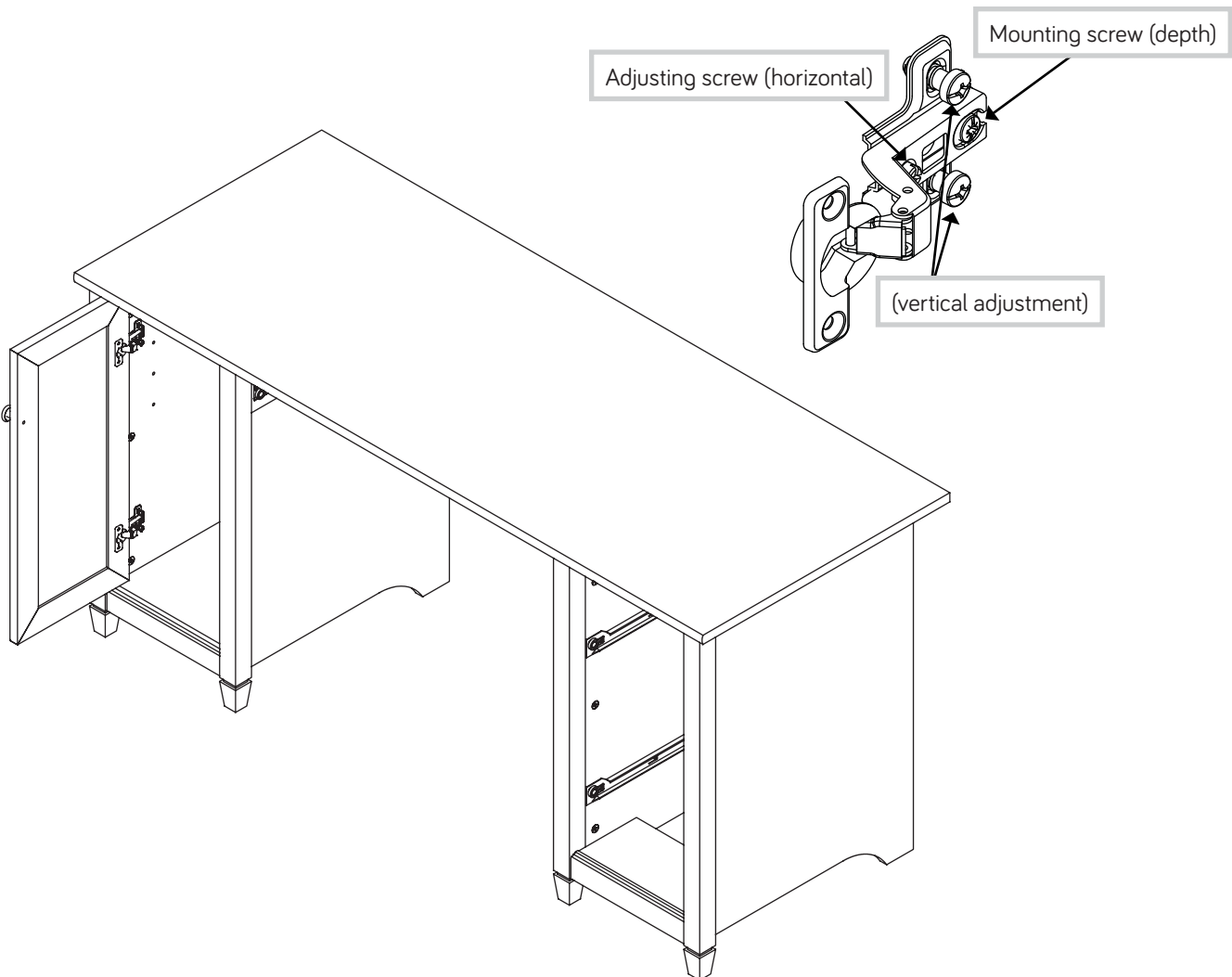
Pro Tip: Lift with your legs. And, you know, your arms.



Step 17

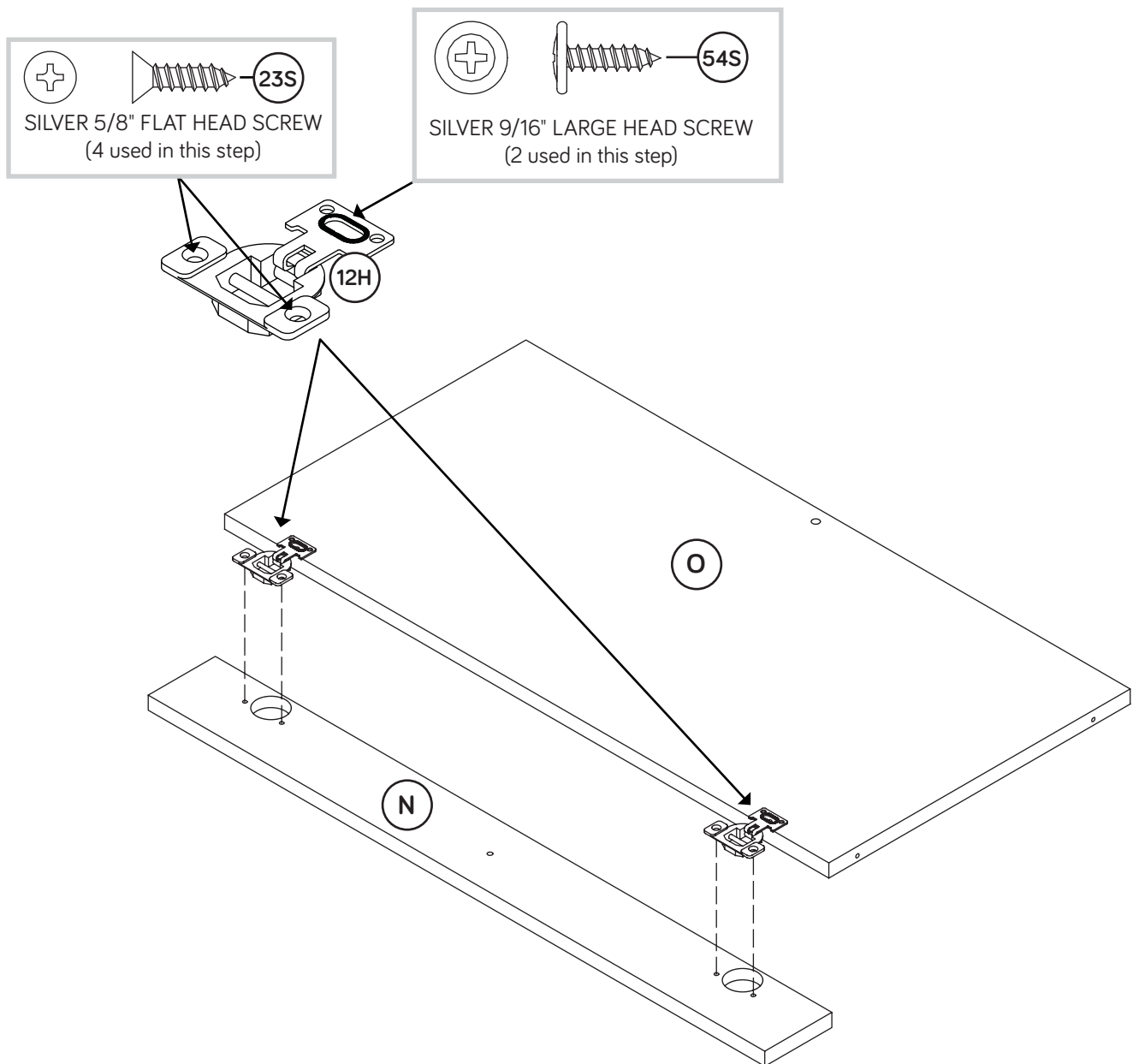


- ✚ Refer to the enlarged diagram to identify the parts on the HINGES and HINGE BRACKETS.
- ✚ The DOOR may need some adjustments. Follow the text below to make needed adjustments.
- ✚ DOOR ADJUSTMENTS:
- ✚ To adjust the DOOR from side to side (horizontal), turn the adjusting screw in or out.
- ✚ To adjust the DOOR up and down (vertical), loosen both screws that asten the HINGE BRACKETS to the END. Move the DOOR up or down to the desired location. Tighten the screws after making adjustments.
- ✚ To adjust the DOOR in or out (depth), loosen the mounting screw one turn and move the DOOR in or out, as needed. Tighten the mounting screw after making adjustments.



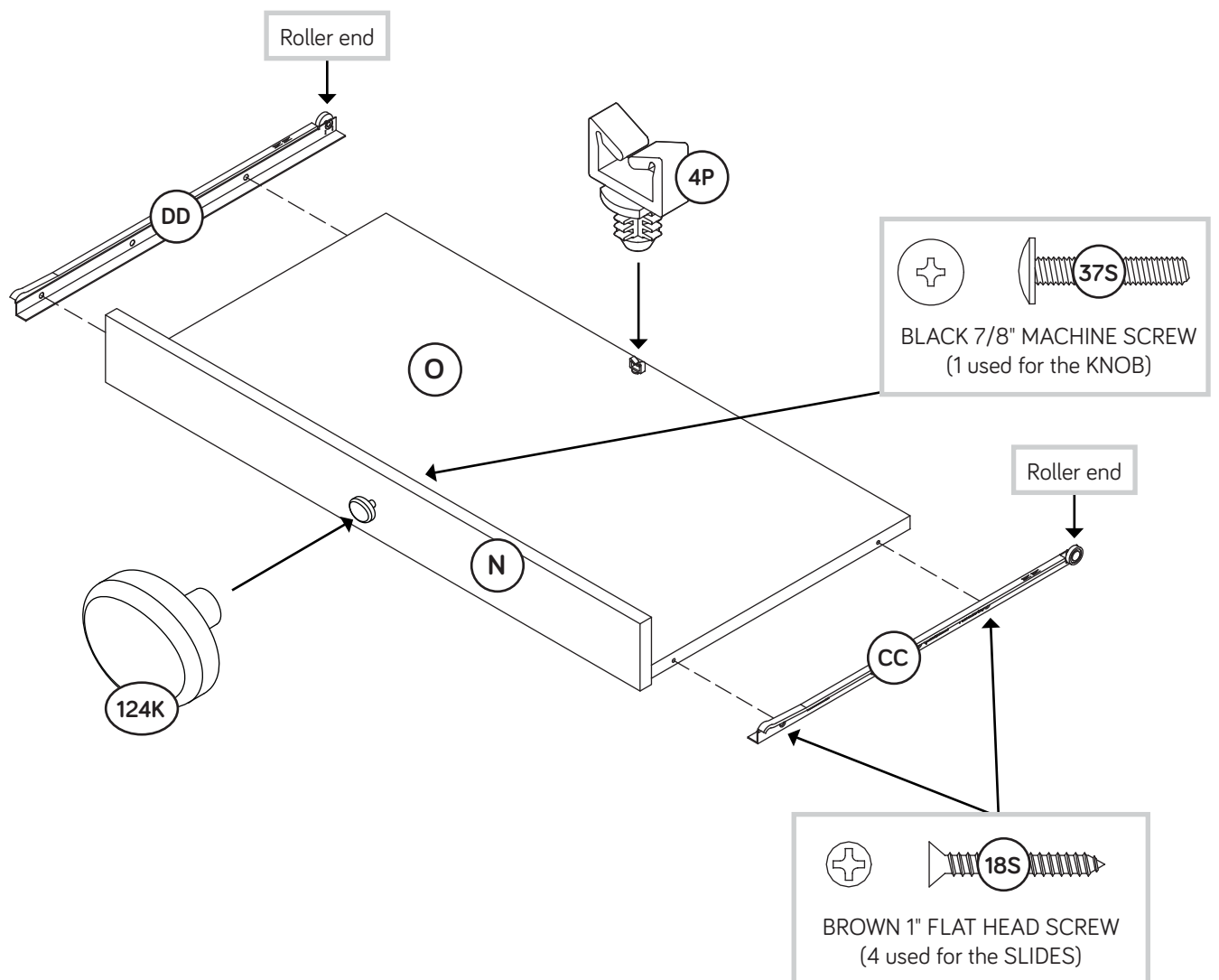
Step 18

- Fasten the KEYBOARD HINGES (12H) to the KEYBOARD FRONT (N).
Use four SILVER 5/8" FLAT HEAD SCREWS (23S).
- Fasten the KEYBOARD HINGES (12H) to the KEYBOARD SHELF (O).
Use two SILVER 9/16" LARGE HEAD SCREWS (54S).



Step 19

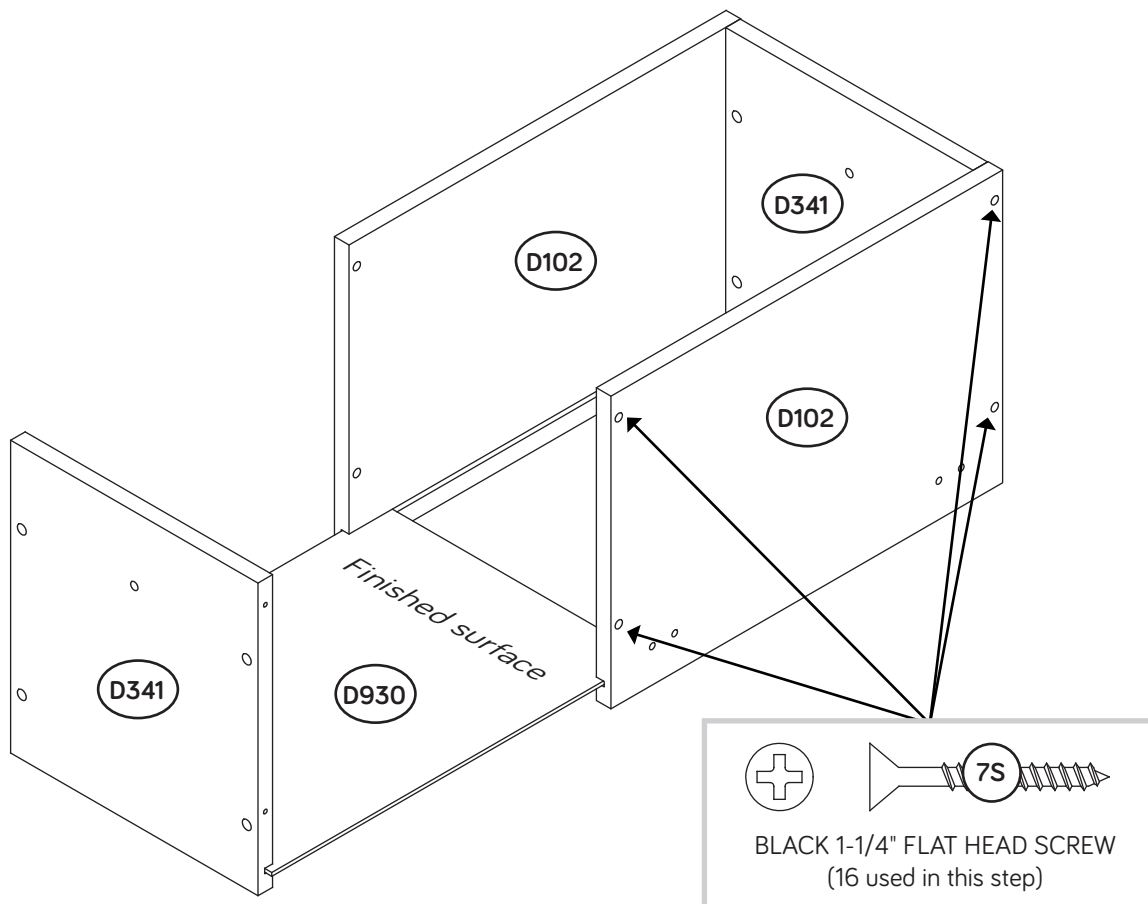
- Fasten the BLACK DRAWER SLIDES (CC and DD) to the KEYBOARD SHELF (O). Use four BROWN 1" FLAT HEAD SCREWS (18S).
- NOTE:** The DRAWER SLIDES are marked "DRAWER RIGHT" and "DRAWER LEFT" for easy identification.
- Turn the CORD CLIP (4P) into the KEYBOARD SHELF (O).
- NOTE:** The CORD CLIP is used to hold your keyboard cord against the KEYBOARD SHELF.
- Fasten a KNOB (124K) to the KEYBOARD FRONT (N). Use a BLACK 7/8" MACHINE SCREW (37S).



Step 20

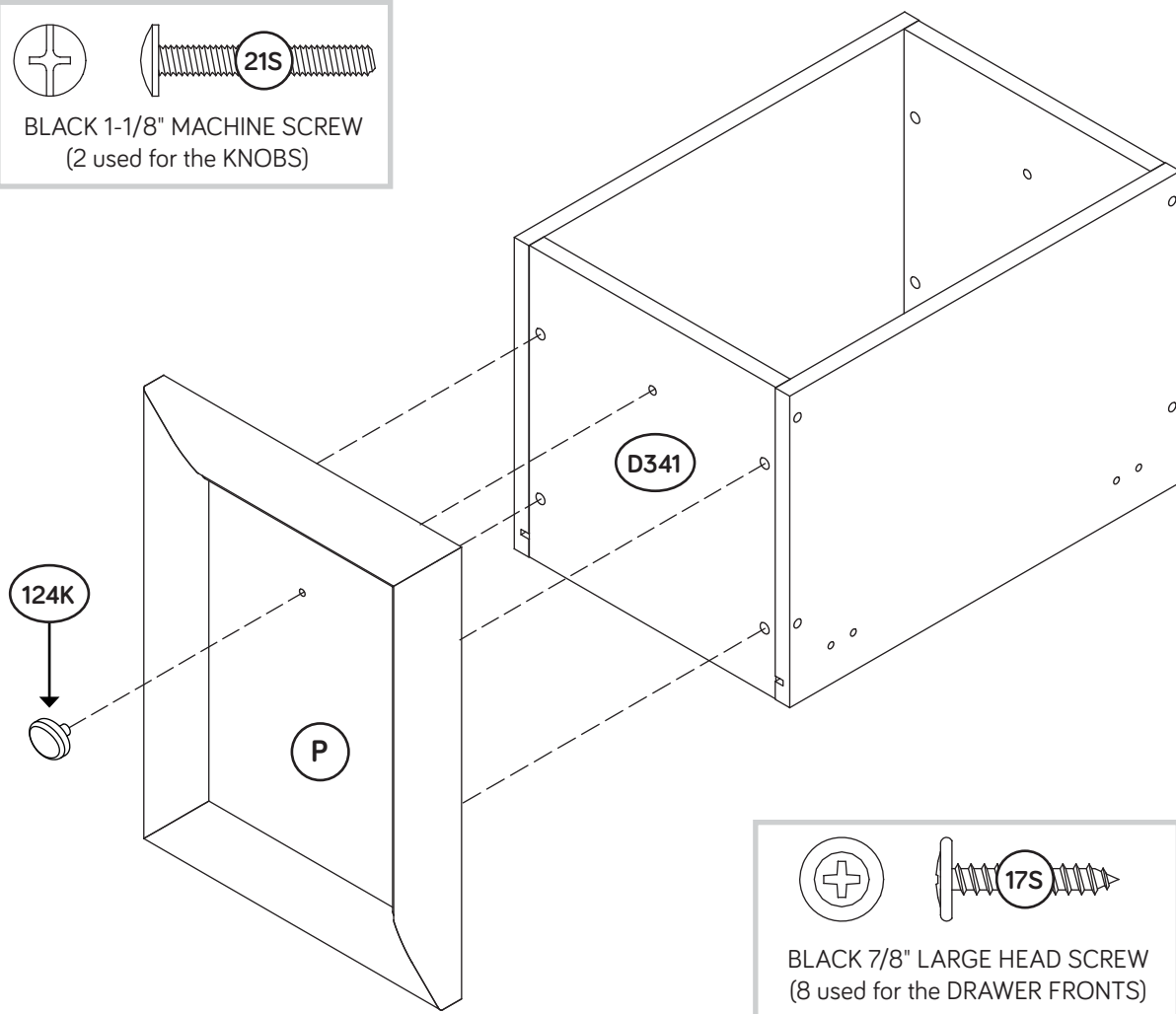
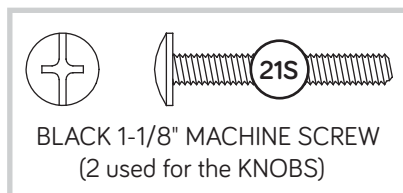
- Fasten the LARGE DRAWER SIDES (D102) to one of the LARGE DRAWER BOX FRONTS (D341). Use four BLACK 1-1/4" FLAT HEAD SCREWS (7S).
- Slide the DRAWER BOTTOM (D930) into the grooves in the DRAWER SIDES (D102).
- Fasten the remaining LARGE DRAWER BOX FRONT (D341) to the LARGE DRAWER SIDES (D102). Use four BLACK 1-1/4" FLAT HEAD SCREWS (7S).
- Repeat this step for the small drawer.

Be sure the grooves in each part line up with each other on the inside of the drawer.



Step 21

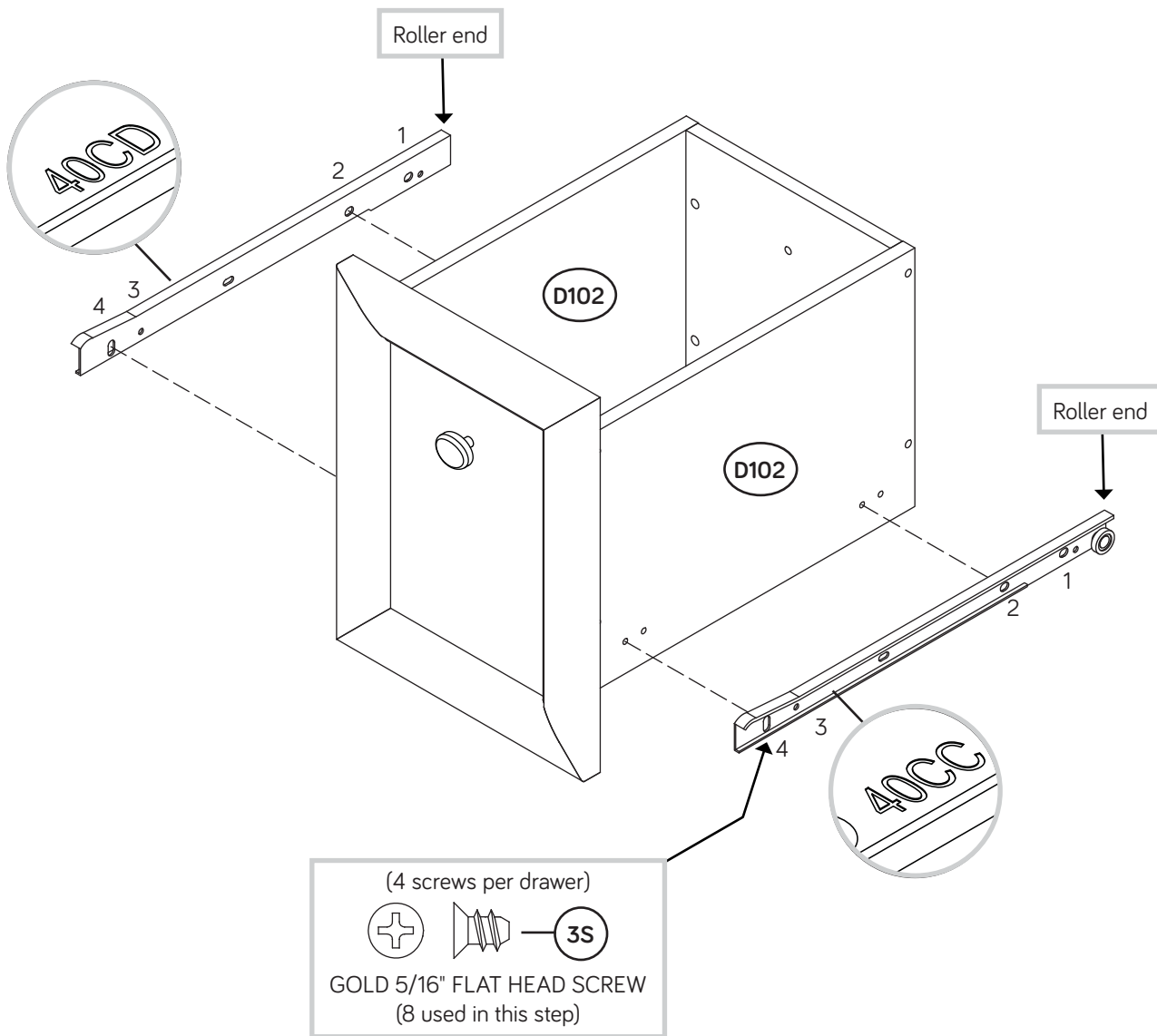
- Fasten the LARGE DRAWER FRONT (P) to a LARGE DRAWER BOX FRONT (D341). Use four BLACK 7/8" LARGE HEAD SCREWS (17S).
- Fasten a KNOB (124K) to the LARGE DRAWER FRONT (P). Use a BLACK 1-1/8" MACHINE SCREW (21S) through the LARGE DRAWER BOX FRONT, through the LARGE DRAWER FRONT, and into the KNOB.
- Repeat this step for the small drawer.



Step 22

Fasten the DRAWER RIGHT (40CC) and DRAWER LEFT (40CD) to the LARGE DRAWER SIDES (D102). Use four GOLD 5/16" FLAT HEAD SCREWS (3S) through holes #2 and #4.

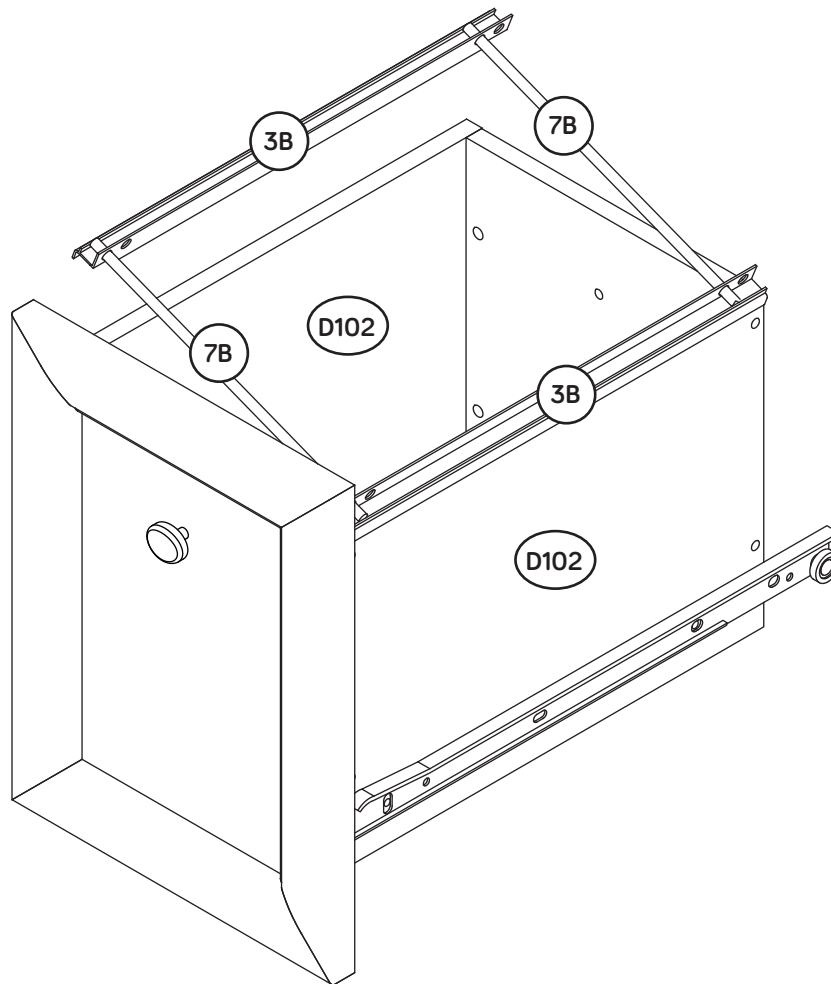
Repeat this step for the small drawer.



Step 23

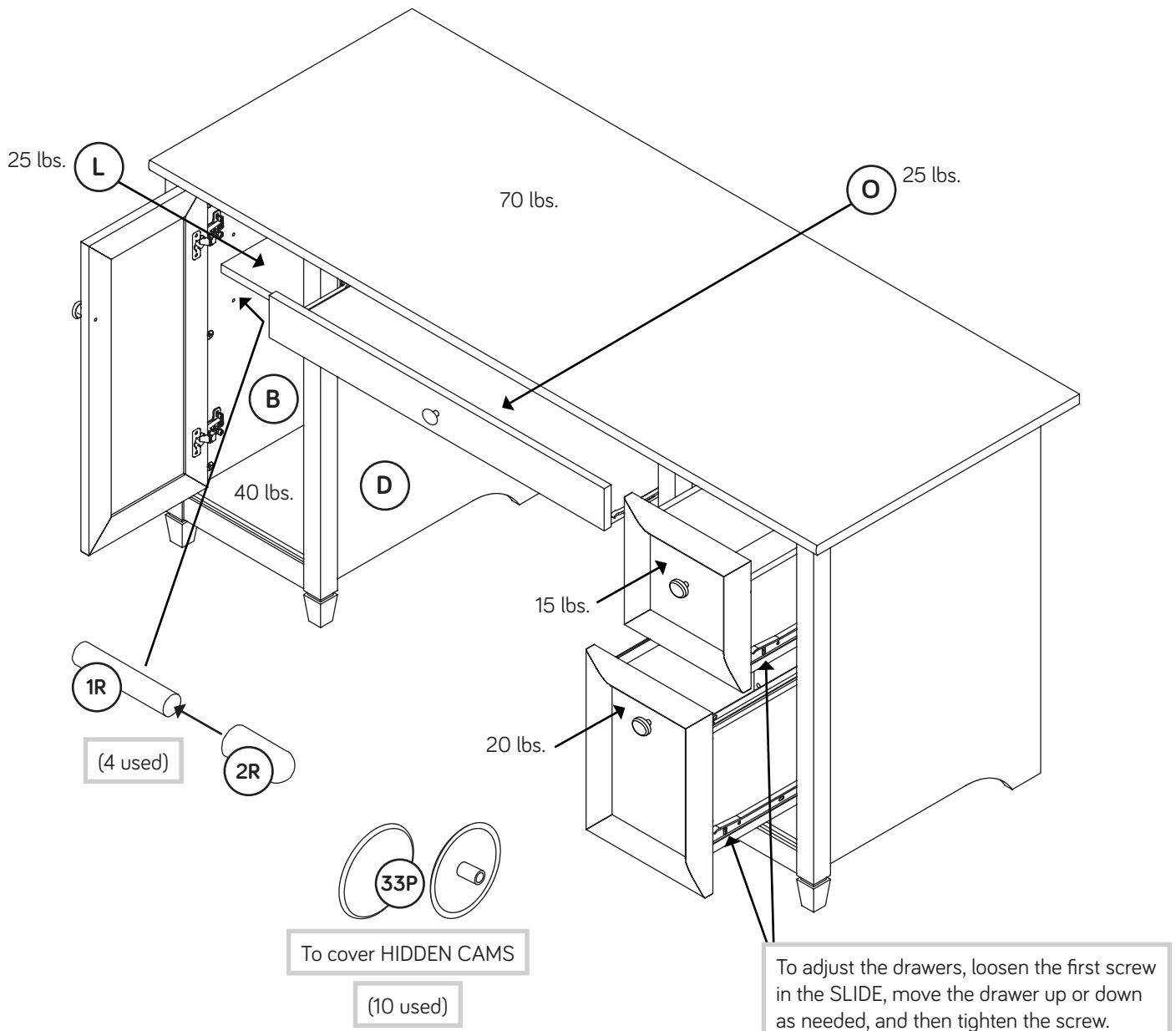
- ✚ Push a FILE GLIDE (3B) onto the RIGHT DRAWER SIDE (D102).
- ✚ Slide the FILE RODS (7B) into the FILE GLIDE (3B) on the RIGHT DRAWER SIDE.
- ✚ Slide another FILE GLIDE (3B) onto the other end of the FILE RODS (7B), then press this FILE GLIDE over the LEFT DRAWER SIDE (D102).

Insert the FILE RODS into the holes of your choice in the FILE GLIDES, depending on your file sizes.



Step 24

- ✚ Push the RUBBER SLEEVES (2R) over the METAL PINS (1R). Insert the METAL PINS into the hole locations of your choice in the LEFT END (B) and LEFT UPRIGHT (D). Set the ADJUSTABLE SHELF (L) onto the METAL PINS.
- ✚ Push a CAM COVER (33P) onto each HIDDEN CAM.
- ✚ To insert the drawers into your unit, tip the front of the drawers down and drop the rollers on the drawers behind the rollers on the unit. Lift the front of the drawers up and slide them into the unit. Repeat this step to insert the KEYBOARD SHELF (O).
- ✚ **NOTE:** Please read the back pages of the instruction booklet for important safety information.
- ✚ This completes assembly. Clean with your favorite furniture polish or a damp cloth. Wipe dry.



⚠ WARNING

Please use your furniture correctly and safely. Improper use can cause safety hazards, or damage to your furniture or household items. *Carefully read the following chart.*

Look out for:	What can happen:	How to avoid the problem:
<ul style="list-style-type: none">• Overloaded shelves and drawers.• Improper loading can cause the product to be top-heavy.	<ul style="list-style-type: none">• Risk of injury.• Top-heavy furniture can tip over.• Overloaded shelves and drawers can break.	<ul style="list-style-type: none">• Never exceed the weight limits shown in the instructions.• Work from bottom to top when loading shelves and drawers. Place the heavier items on the lower shelves or in lower drawers.
<ul style="list-style-type: none">• Improperly moving furniture that is not designed and equipped with casters.	<ul style="list-style-type: none">• Furniture can tip over or break if improperly moved.• Physical injury. Furniture can be very heavy.• Breakage of tops - particularly with double pedestal furniture (drawers at both ends).	<ul style="list-style-type: none">• Unload shelves and drawers from top to bottom before moving the unit.• Do not push furniture, especially on a carpeted floor. Have a friend help you lift the item and set it in place.• Provide support to the center section of the top when lifting the furniture.
<ul style="list-style-type: none">• Placing TVs on furniture items that are not designed to support a television is hazardous.	<ul style="list-style-type: none">• Risk of injury or death. TVs can be very heavy. Plus the weight and location of the picture tube tends to make TVs unbalanced and prone to tipping forward.	<ul style="list-style-type: none">• This product is not designed to support a television.