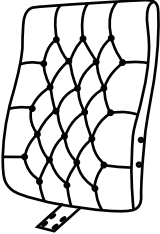
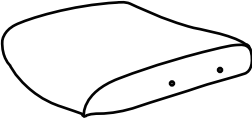

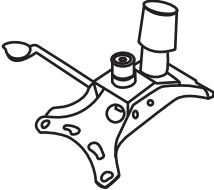
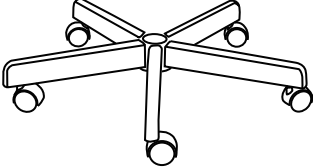
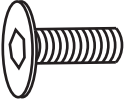
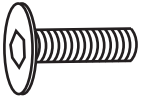
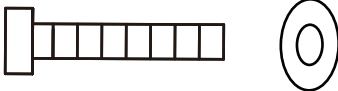

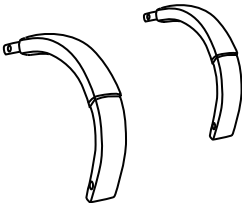

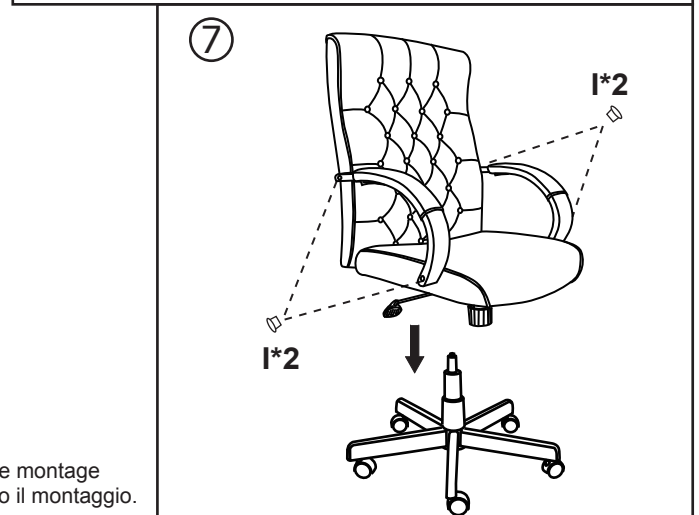
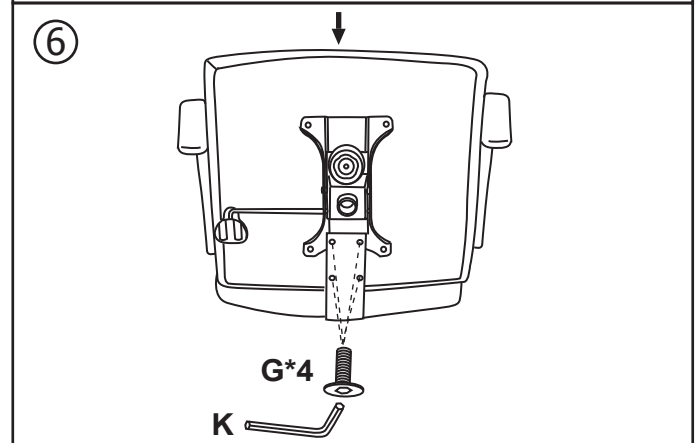
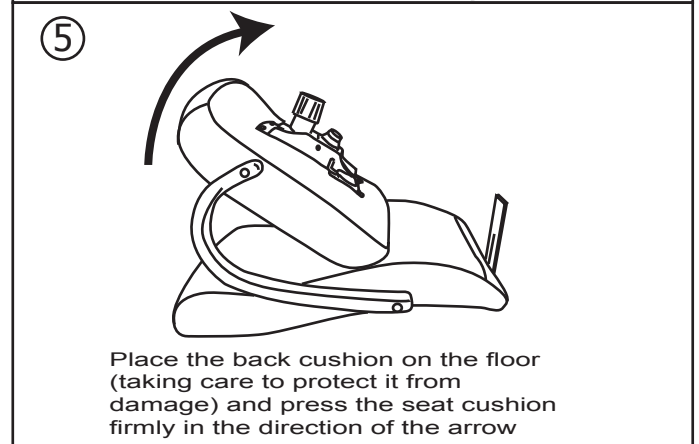
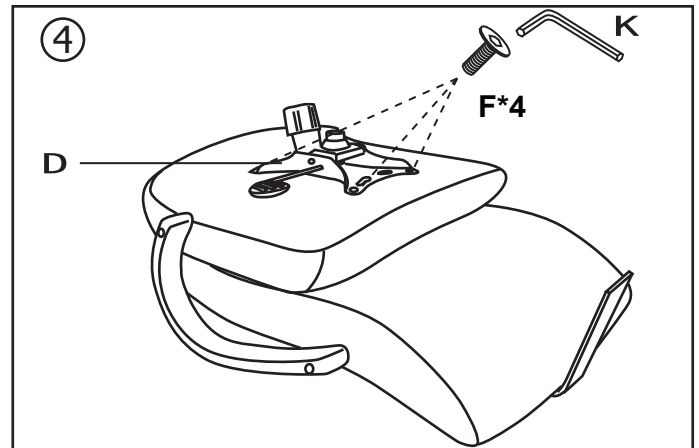
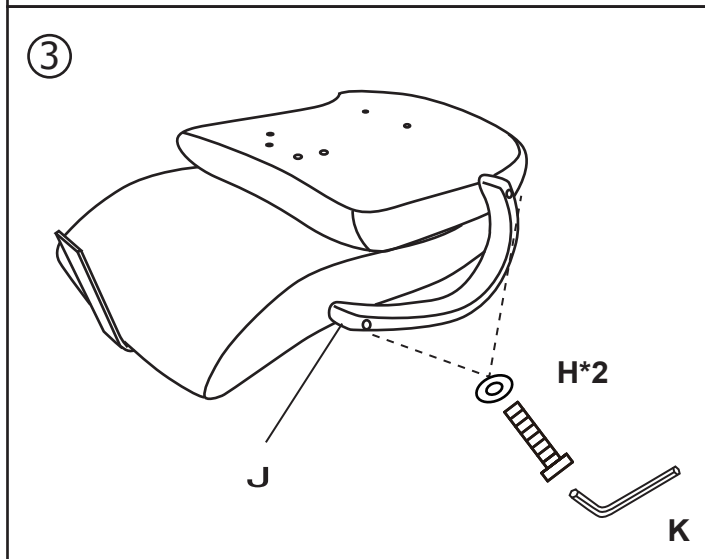
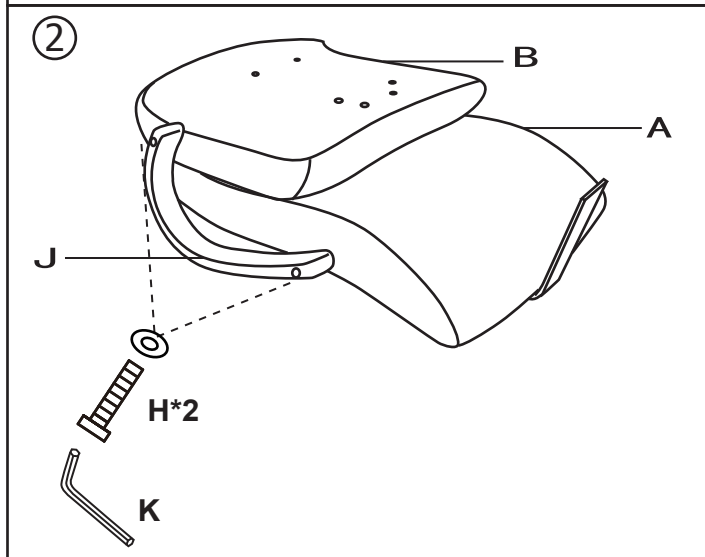
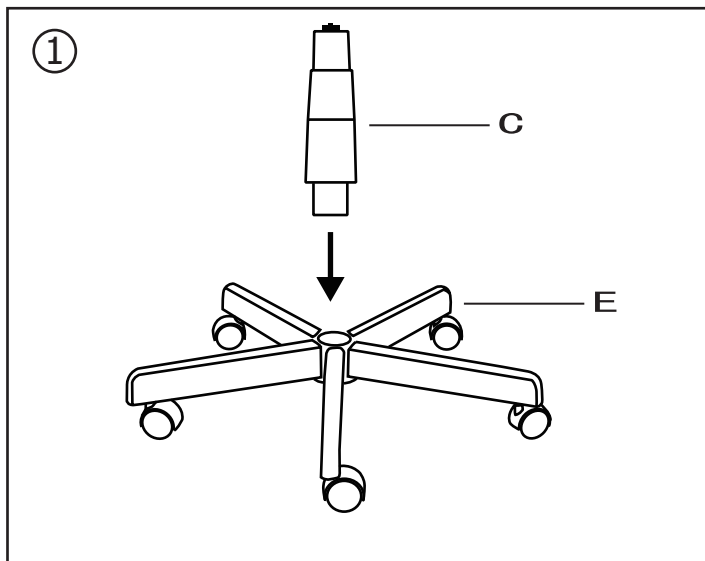




# CHESTERFIELD

A		x1
B		x1
C		x1
D		x1
E		x1
F	 <b>PRE-INSERTED (M8×22mm)</b>	x4
G	 <b>PRE-INSERTED (M6×30mm)</b>	x4
H	 <b>(M6×55mm)</b>	x4
I		x4
J		x1
K		x1

**DO NOT USE A POWER DRILL TO TIGHTEN THE SCREWS  
- TIGHTEN BY HAND WITH THE ALLEN KEY PROVIDED  
Do not tighten bolts fully until you have completed assembly.**



**IMPORTANT!** Do not tighten bolts fully until you have completed assembly  
**IMPORTANT!** Ne serrez pas complètement les boulons avant d'avoir terminé le montage  
**IMPORTANTE!** Non serrate completamente le viti finché non avrete completato il montaggio.  
**WICHTIG!** Schrauben erst nach vollständiger Montage fest anziehen.  
**IMPORTANTE!** No apriete en su totalidad los pernos hasta no haber completado el montaje.  
**BELANGRIJK!** Draai de bouten niet helemaal vast voordat u de stoel volledig in elkaar hebt gezet.

