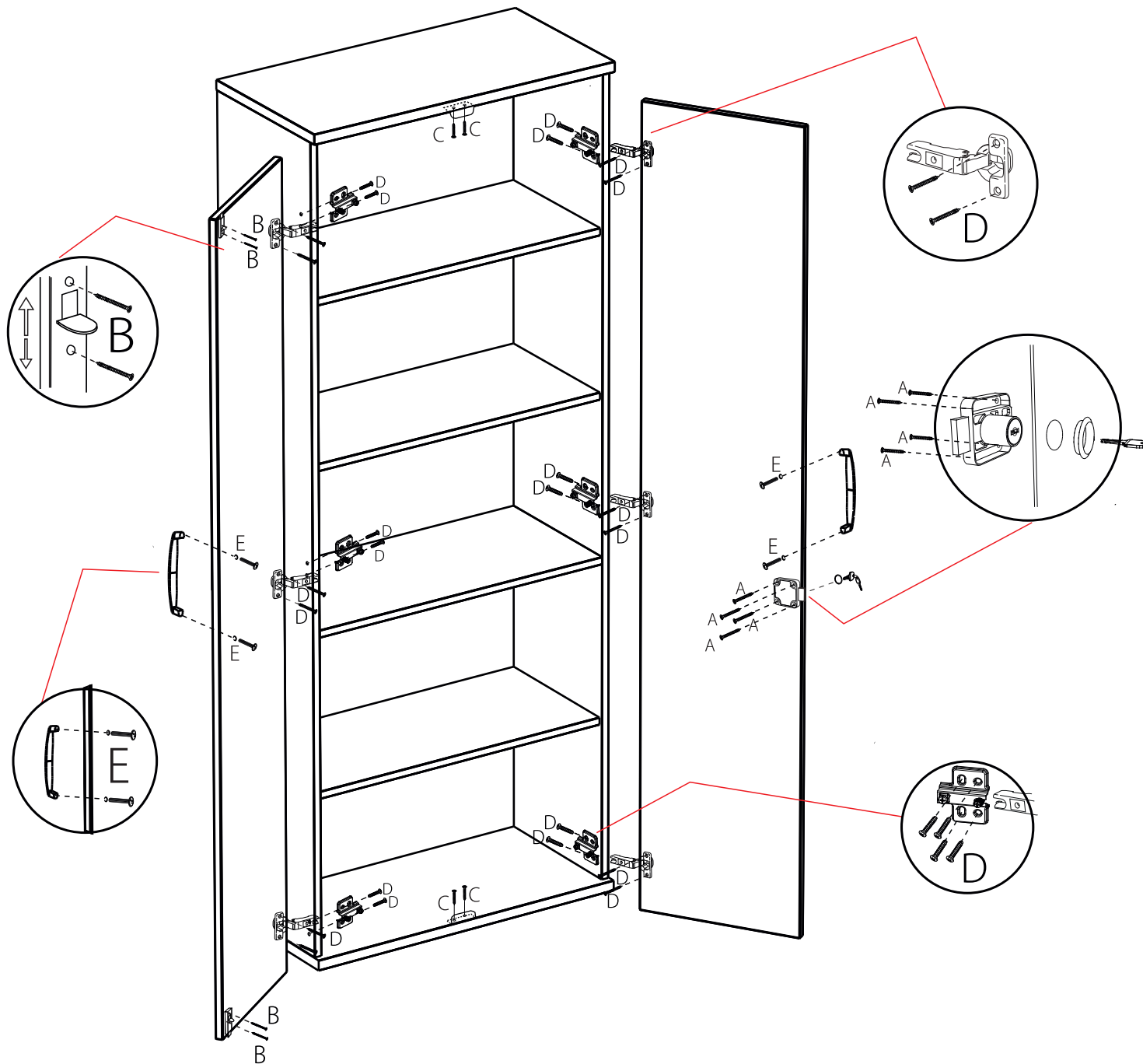


# CUPBOARD-2000-DOOR PACK

Assembly instruction



- 1) Separate all parts and fittings.
- 2) Check all parts you have received are correct.
- 3) Attach the small hinge mechanism to the cupboard using screws (D)
- 4) Attach the large hinge mechanism to the door using screws (D)
- 5) Loosen the pre-attached screw in the small hinge mechanism. Slide the large hinge mechanism into the small hinge mechanism. Once in position, tighten the pre-attached screw to secure the door to the cupboard. Attach the top hinge first.
- 6) Attach the locking plate to the top and bottom of the cupboard using screws (C).
- 7) Attach the slide locks to the relevant cupboard door using screws (B).
- 8) Attach the handles to the cupboard door using screws (E).
- 9) Insert the lock into the relevant hole in the cupboard door using screws (A). Ensure the locking mechanism is facing the other door to allow the doors to lock.
- 10) Go around all fittings a final time and ensure they are secure.

