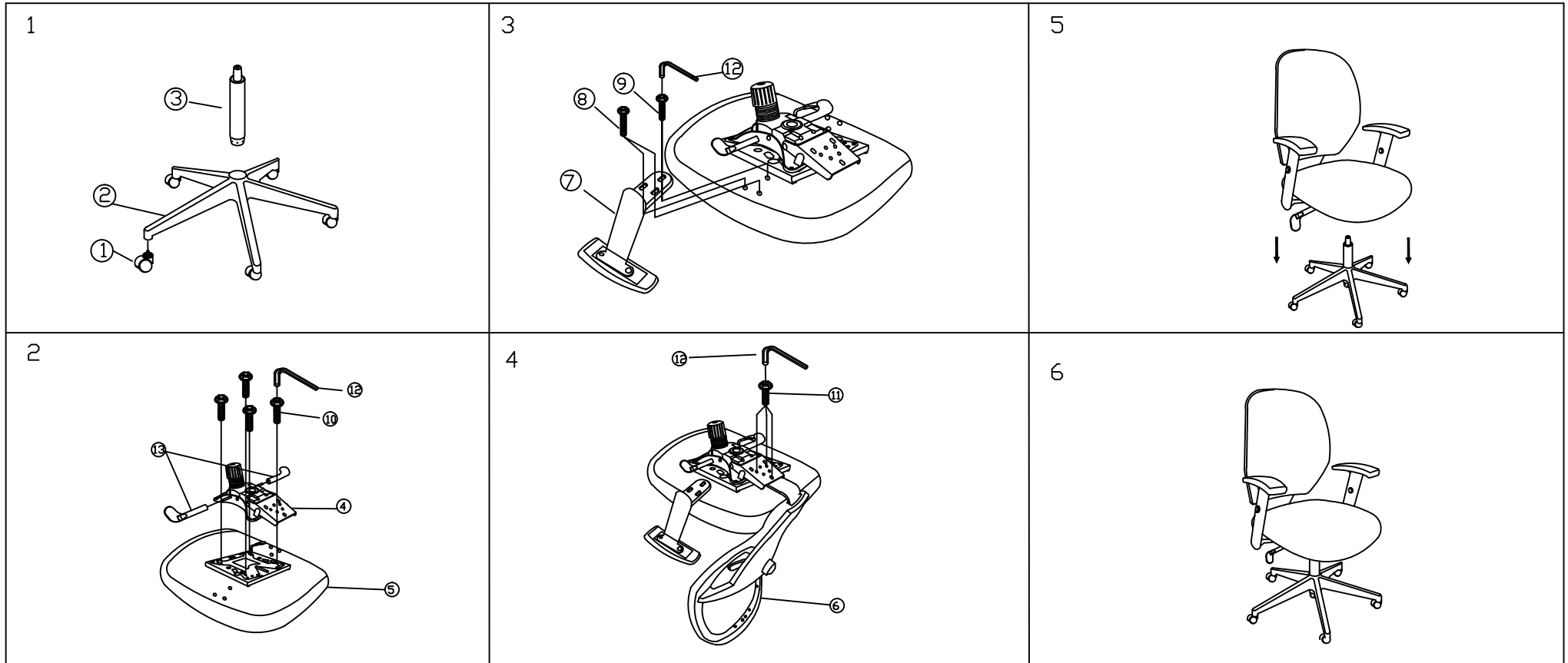


11186-02A/C ASSEMBLY INSTRUCTION



① CASTOR	② 5-STAR BASE	③ GAS LIFT	④ MECHANISM	⑤ SEAT CUSHION	⑥ BACK CUSHION	⑦ ARMREST	⑧ SCREW M8*40	⑨ SCREW M8*35	⑩ SCREW M6*12	⑪ SCREW M8*20	⑫ ALLEN KEY	⑬ HANDGRIP
5 PCS	1 PC	1 PC	1 PC	1 PC	1 PC	1 PAIR	4 PCS	2 PCS	4 PCS	3 PCS	1 PC	1 PAIR