

For **all** your  
newfangled **gadgetry**.

# Iron Foundry Desk

Model 5423505

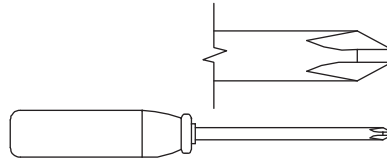
**NOTE:** THIS INSTRUCTION  
BOOKLET CONTAINS **IMPORTANT**  
SAFETY INFORMATION.

PLEASE READ AND KEEP FOR  
FUTURE REFERENCE.

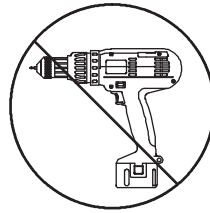
# Table of Contents

# Assembly Tools Required

Hardware Identification	2
Part Identification	3
Assembly Steps	4-8
Français	9-10
Español	11-12
Safety	13-14
Warranty	15



No. 2 Phillips Screwdriver  
Tip Shown Actual Size

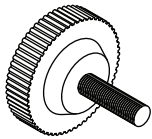


Skip the power trip.  
This time.

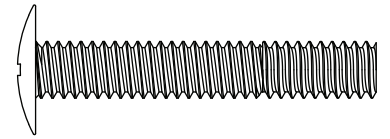
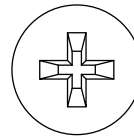
## Hardware Identification

† Screws are shown actual size. You may receive extra hardware with your unit.

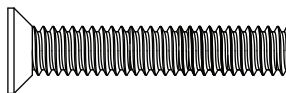
1 LEVELER - 6



2 BLACK 1-3/4" MACHINE SCREW - 2



3 BLACK 1-7/16" TAPERED MACHINE SCREW - 14



4 BLACK 3/8" MACHINE SCREW - 6



5 BLACK 1/2" PAN HEAD SCREW - 4



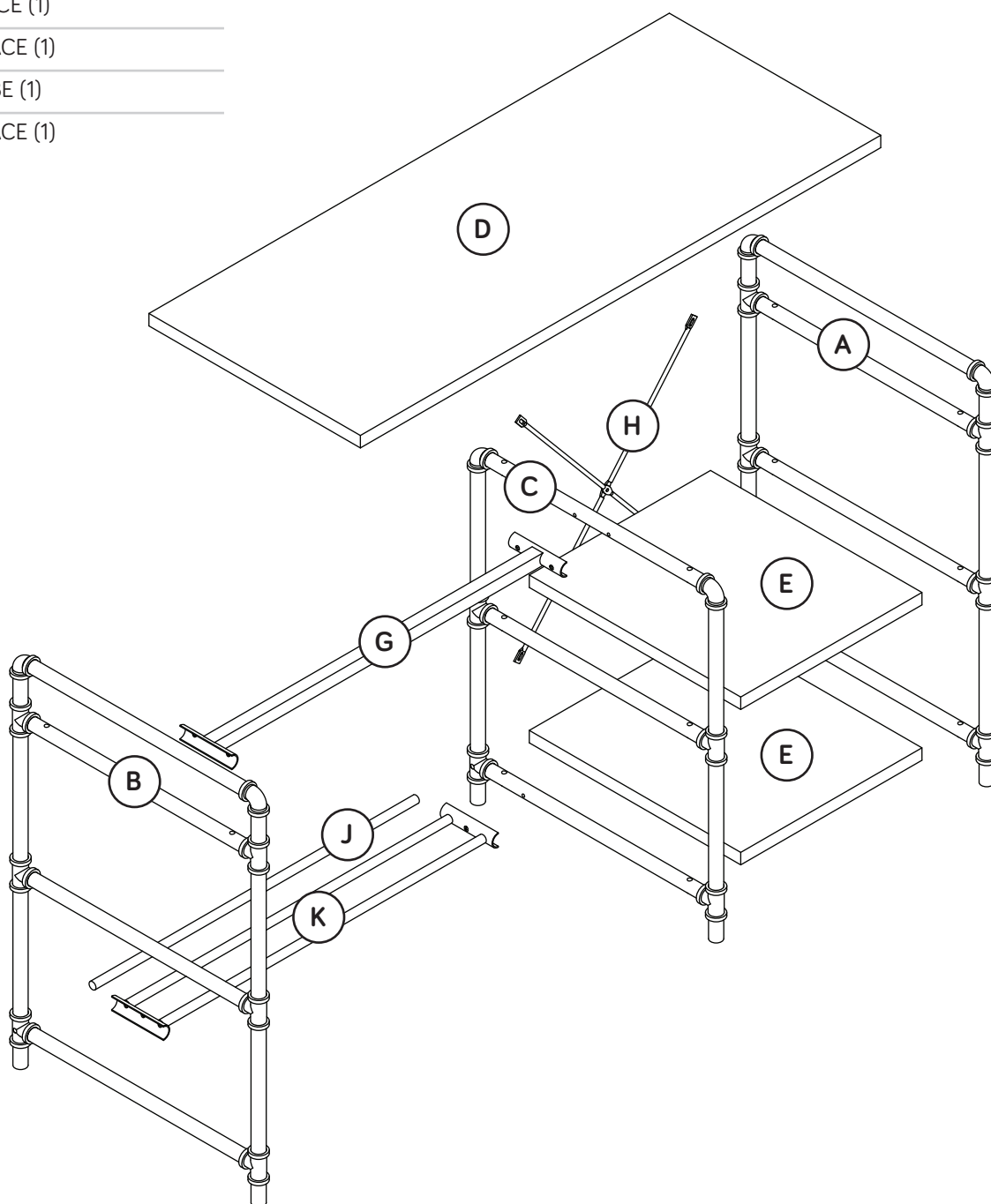
# Part Identification

Now you know  
our ABCs.



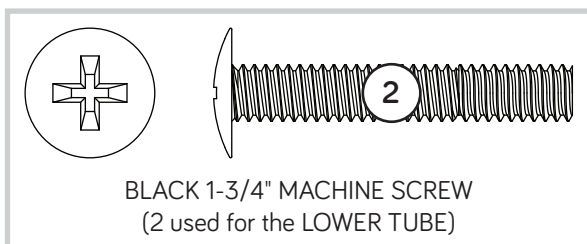
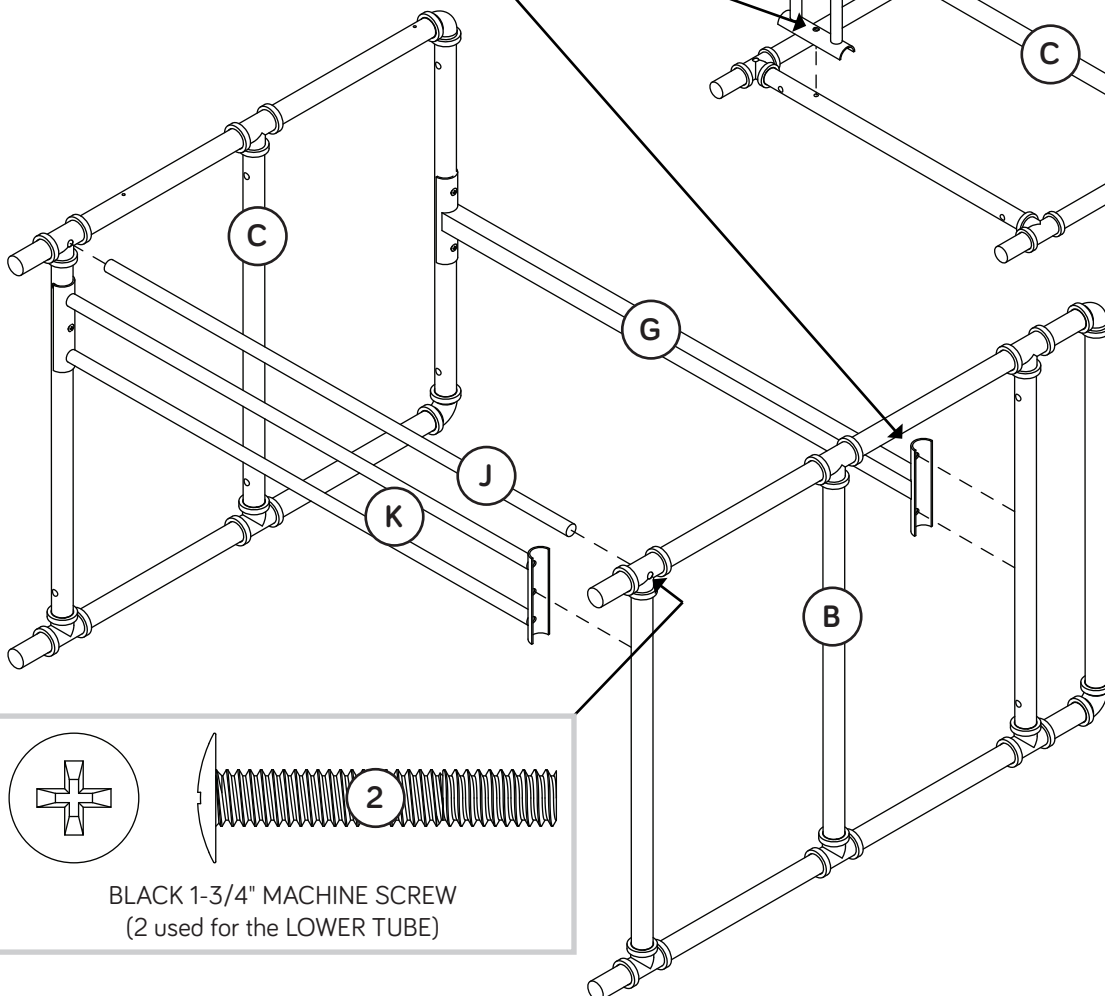
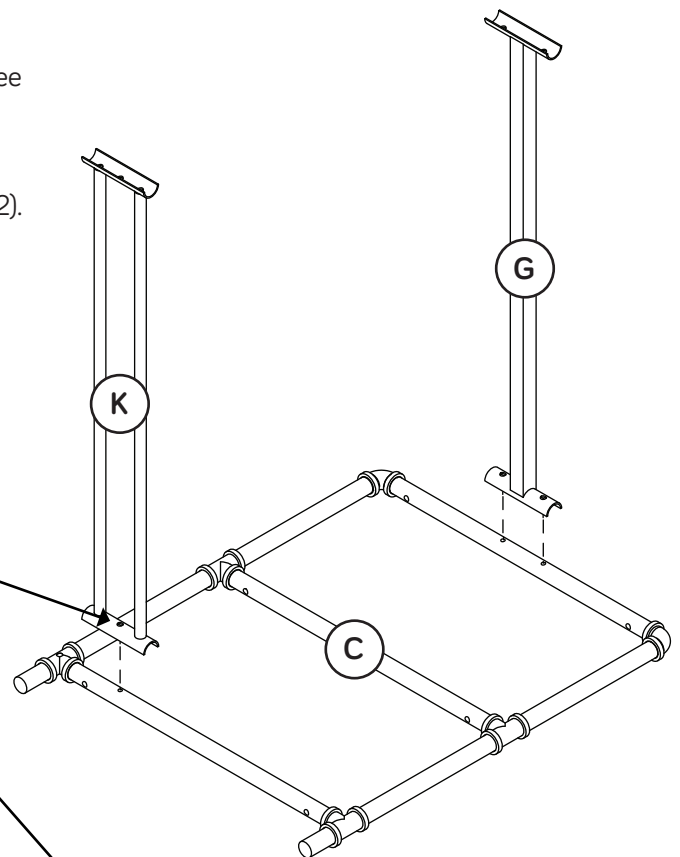
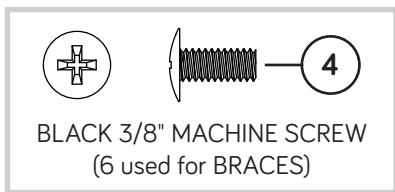
⚠ While not all parts are labeled, some of the parts will have a label or an inked letter on the edge to help distinguish similar parts from each other. Use this part identification to help identify similar parts.

A	RIGHT END (1)
B	LEFT END (1)
C	UPRIGHT (1)
D	TOP (1)
E	SHELF (2)
G	UPPER BRACE (1)
H	CROSS BRACE (1)
J	LOWER TUBE (1)
K	LOWER BRACE (1)



# Step 1

- ✦ Assemble your unit on a carpeted floor or on the empty carton to avoid scratching your unit or the floor.
- ✦ **NOTE:** Do not completely tighten the SCREWS in this step.
- ✦ Fasten the BRACES (G and K) to the UPRIGHT (C). Use three BLACK 3/8" MACHINE SCREWS (4).
- ✦ Fasten the LEFT END (B) to the BRACES (G and K). Use three BLACK 3/8" MACHINE SCREWS (4).
- ✦ Fasten the LOWER TUBE (J) to the LEFT END (B) and UPRIGHT (C). Use two BLACK 1-3/4" MACHINE SCREWS (2).

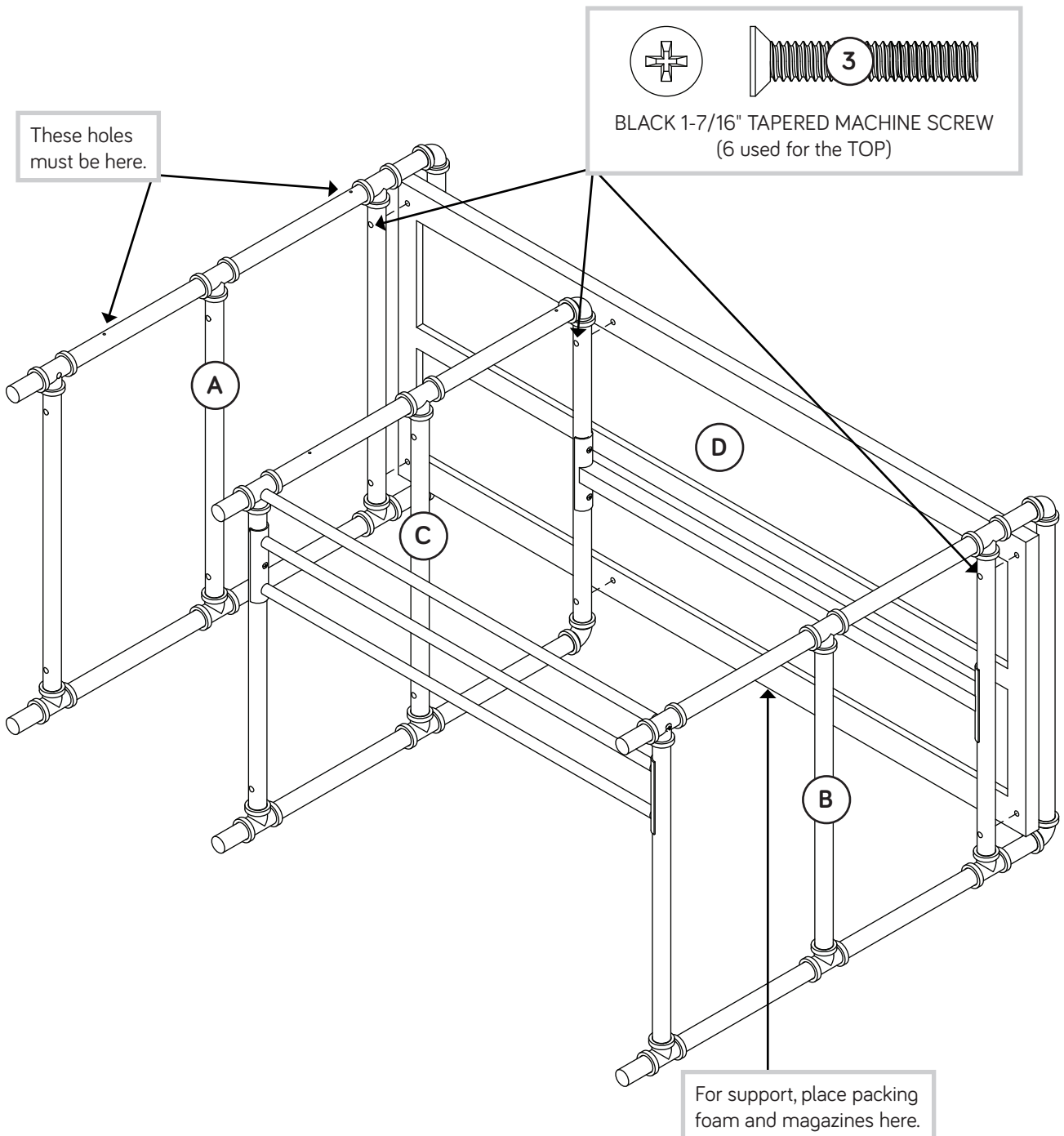


# Step 2

- 🔩 **NOTE:** Do not completely tighten the SCREWS in this step.
- 🔩 Fasten the TOP (D) to the ENDS (A and B) and UPRIGHT (C). Use six BLACK 1-7/16" TAPERED MACHINE SCREWS (3).

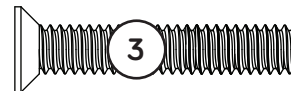


Just think. The sooner you do this, the sooner you do something else.

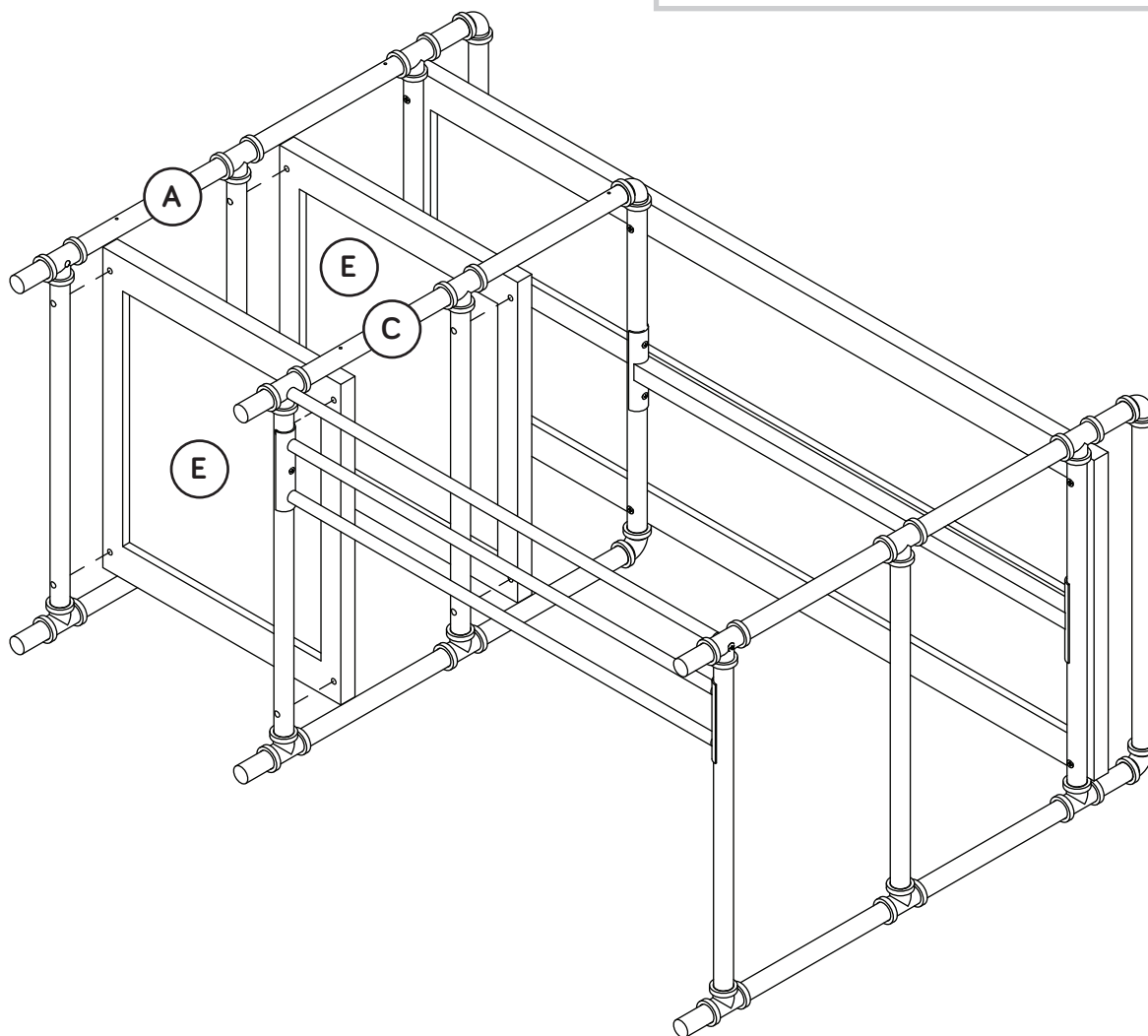


# Step 3

- Fasten the SHELVES (E) to the RIGHT END (A) and UPRIGHT (C). Use eight BLACK 1-7/16" TAPERED MACHINE SCREWS (3).
- Completely tighten all of the SCREWS in the metal frame.



BLACK 1-7/16" TAPERED MACHINE SCREW  
(8 used for the SHELVES)

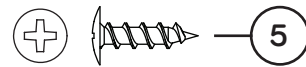


# Step 4

- Fasten the CROSS BRACE (H) to the RIGHT END (A) and UPRIGHT (C). Use four BLACK 1/2" PAN HEAD SCREWS (5).
- Turn six LEVELERS (1) into the bottom edges of the ENDS (A and B) and UPRIGHT (C).

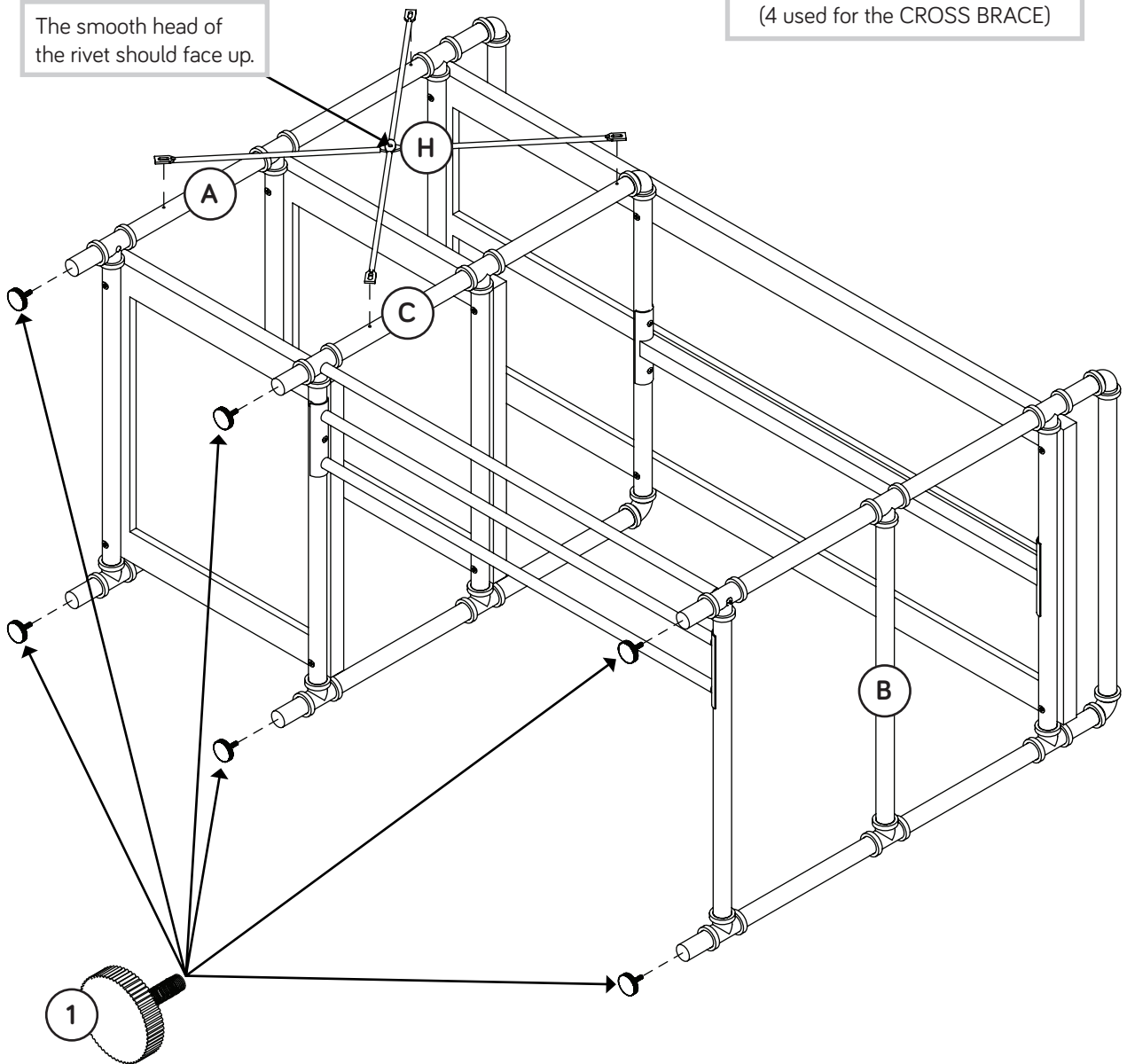


If you're doing this to help a friend, don't leave without a bite.



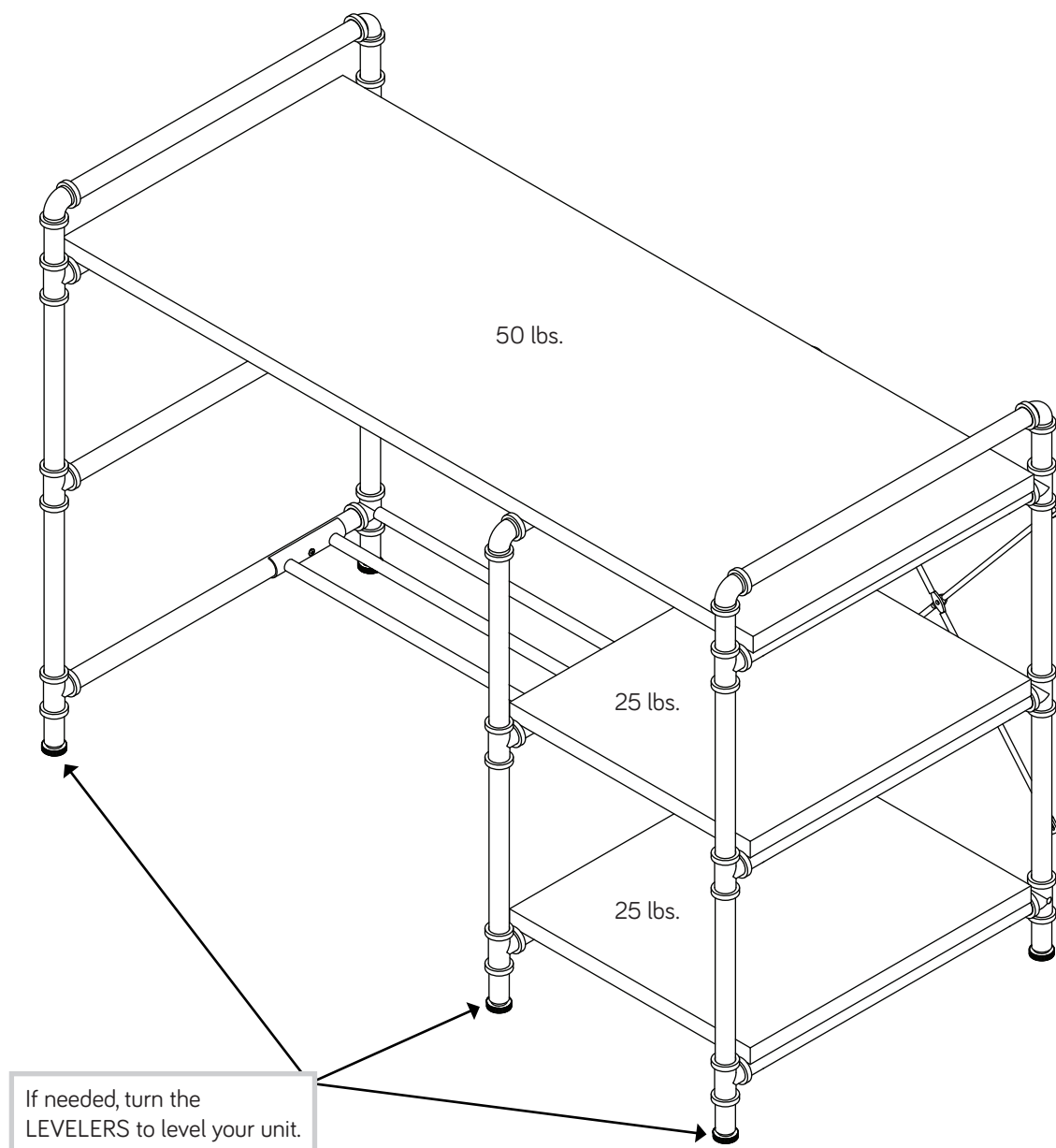
BLACK 1/2" PAN HEAD SCREW  
(4 used for the CROSS BRACE)

The smooth head of the rivet should face up.



# Step 5

- ✚ Carefully stand your unit upright.
- ✚ To level your unit, turn the LEVELERS.
- ✚ **NOTE:** Please read the back pages of the instruction booklet for important safety information.
- ✚ This completes assembly. Clean with a damp cloth. Wipe dry.





**⚠ WARNING**

Please use your furniture correctly and safely. Improper use can cause safety hazards, or damage to your furniture or household items. ***Carefully read the following chart.***

Look out for:	What can happen:	How to avoid the problem:
<ul style="list-style-type: none"> <li>Overloaded shelves or drawers.</li> <li>Improper loading can cause the product to be top-heavy.</li> </ul>	<ul style="list-style-type: none"> <li>Risk of injury.</li> <li>Top-heavy furniture can tip over.</li> <li>Overloaded shelves and drawers can break.</li> </ul>	<ul style="list-style-type: none"> <li>Never exceed the weight limits shown in the instructions.</li> <li>Work from bottom to top when loading shelves and drawers. Place the heavier items on the lower shelves or in lower drawers.</li> </ul>
<ul style="list-style-type: none"> <li>Improperly moving furniture that is not designed and equipped with casters.</li> </ul>	<ul style="list-style-type: none"> <li>Furniture can tip over or break if improperly moved.</li> <li>Physical injury. Furniture can be very heavy.</li> <li>Breakage of tops - particularly with double pedestal furniture (drawers at both ends).</li> </ul>	<ul style="list-style-type: none"> <li>Unload shelves and drawers from top to bottom before moving the unit.</li> <li>Do not push furniture, especially on a carpeted floor. Have a friend help you lift the item and set it in place.</li> <li>Provide support to the center section of the top when lifting the furniture.</li> </ul>
<ul style="list-style-type: none"> <li>Placing TVs on furniture items that are not designed to support a television is hazardous.</li> </ul>	<ul style="list-style-type: none"> <li>Risk of injury or death. TVs can be very heavy. Plus the weight and location of the picture tube tends to make TVs unbalanced and prone to tipping forward.</li> </ul>	<ul style="list-style-type: none"> <li>This product is not designed to support a television.</li> </ul>