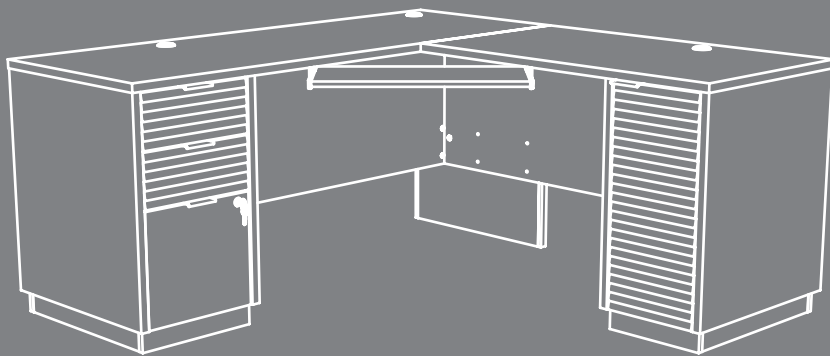


www.teknikoffice.co.uk

Teknik



For **all** your
newfangled **gadgetry**.

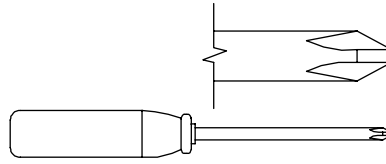
Elstree L-Shaped Desk

Model 5426914

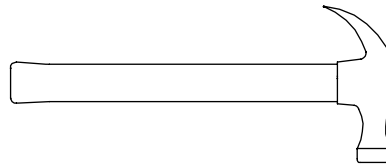
Table of Contents

Assembly Tools Required

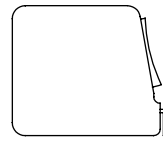
Part Identification	3
Hardware Identification	4-5
Assembly Steps	6-52



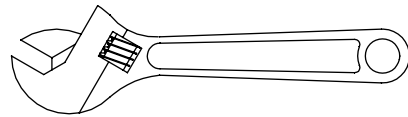
No. 2 Phillips Screwdriver
Tip Shown Actual Size



Hammer
Not actual size 😊



Tape Measure



Adjustable Wrench

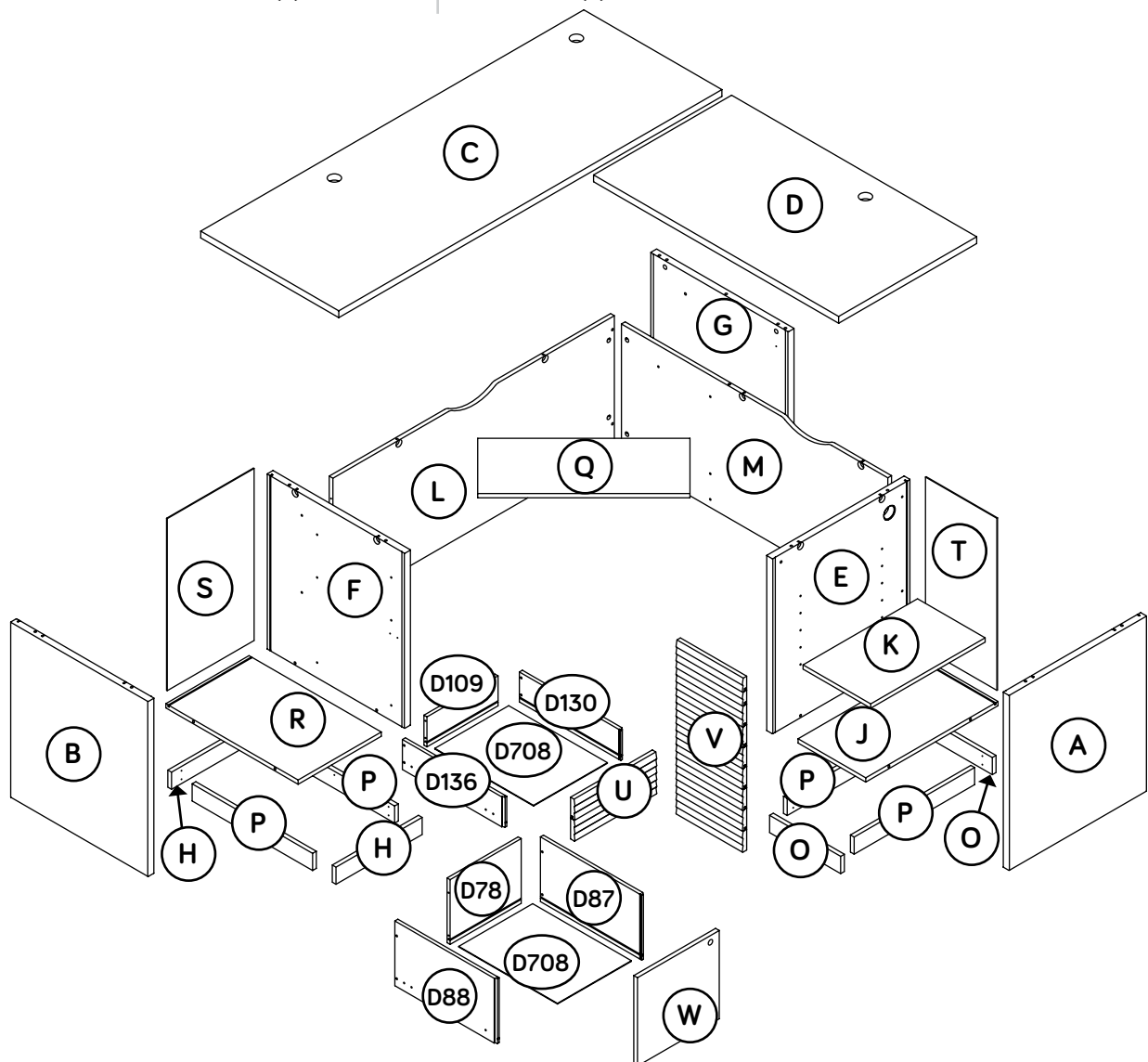
Part Identification

Now you know
our ABCs.



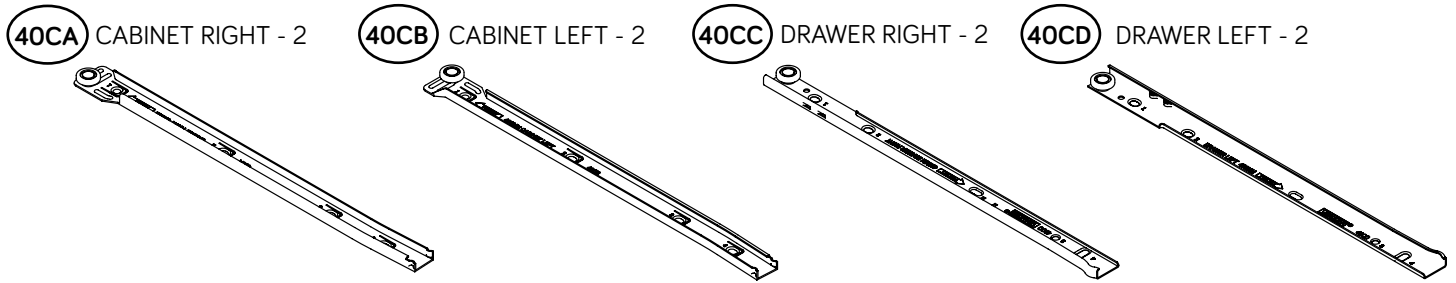
† While not all parts are labeled, some of the parts will have a label or an inked letter on the edge to help distinguish similar parts from each other. Use this part identification to help identify similar parts.

A	RIGHT END (1)	D708	DRAWER BOTTOM (3)	P	SIDE BASE (4)
B	LEFT END (1)	E	RIGHT UPRIGHT (1)	Q	KEYBOARD SHELF (1)
C	TOP (1)	F	LEFT UPRIGHT (1)	R	LEFT BOTTOM (1)
D	SMALL TOP (1)	G	LARGE UPRIGHT (1)	S	LEFT BACK (1)
D78	LARGE DRAWER BACK (1)	H	LEFT BASE (2)	T	RIGHT BACK (1)
D87	LARGE RIGHT DRAWER SIDE (1)	J	RIGHT BOTTOM (1)	U	DRAWER FRONT (2)
D88	LARGE LEFT DRAWER SIDE (1)	K	ADJUSTABLE SHELF (1)	V	DOOR (1)
D109	SMALL DRAWER BACK (2)	L	MODESTY PANEL (1)	W	LOCKING DRAWER FRONT (1)
D130	SMALL RIGHT DRAWER SIDE (2)	M	SMALL MODESTY PANEL (1)		
D136	SMALL LEFT DRAWER SIDE (2)	O	RIGHT BASE (2)		

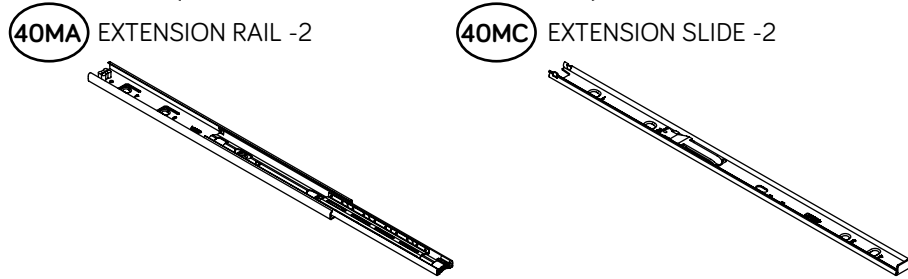


Hardware Identification

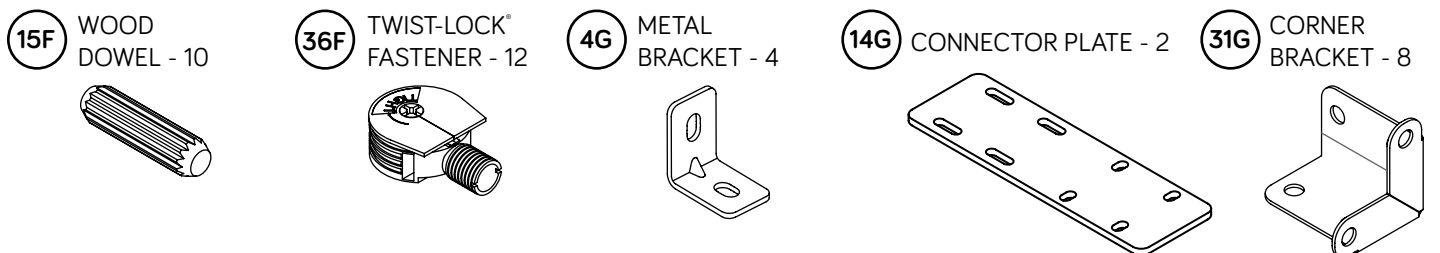
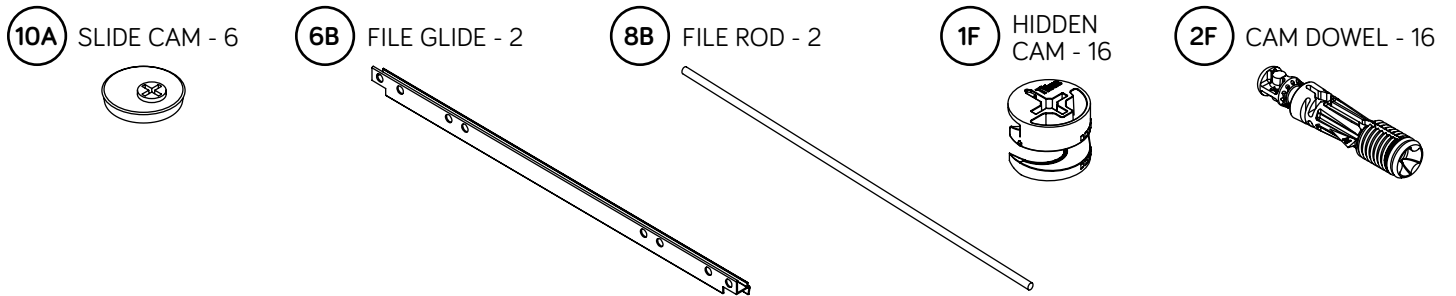
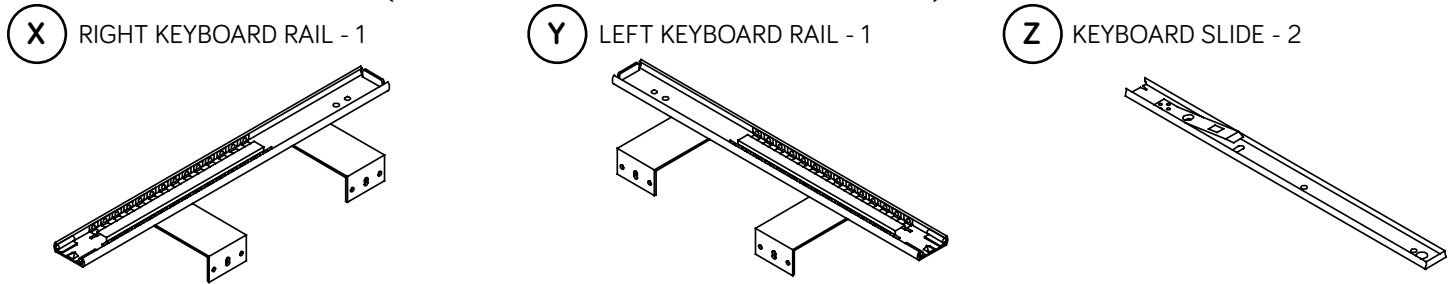
† Screws are shown actual size. You may receive extra hardware with your unit.



(EXTENSION SET SHOWN SEPARATED)



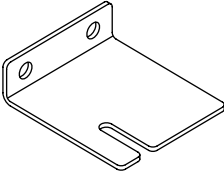
(KEYBOARD EXTENSION SET SHOWN SEPARATED)



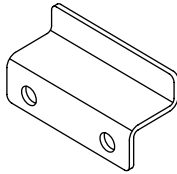
Hardware Identification

† Screws are shown actual size. You may receive extra hardware with your unit.

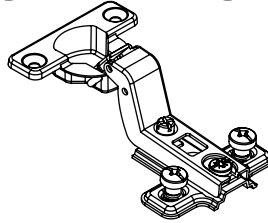
76G L - LOCK BRACKET - 1



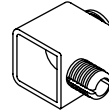
77G Z - LOCK BRACKET - 1



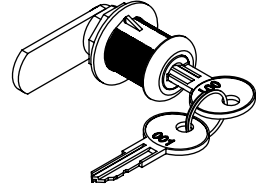
14H HINGE - 2



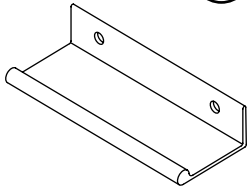
4I DOOR STOP - 1



21J LOCK PACK - 1



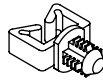
189K PULL - 4



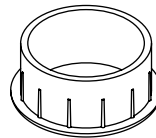
1P GROMMET CAP - 3



4P CORD CLIP - 2



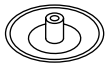
10P GROMMET - 4



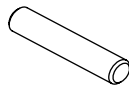
21P SCREW COVER - 6



92P CAM COVER - 6



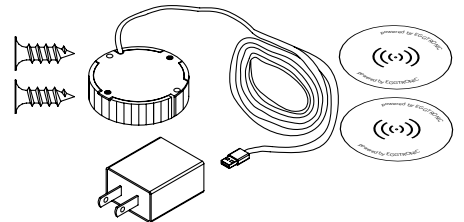
1R METAL PIN - 4



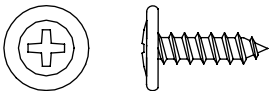
2R RUBBER SLEEVE - 4



HIDDEN WIRELESS Qi COMPATIBLE CHARGER by EGGTRONIC - Item 425905 (sold separately)



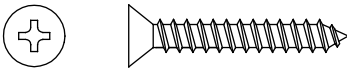
1S BLACK 9/16" LARGE HEAD SCREW - 88



3S GOLD 5/16" FLAT HEAD SCREW - 24



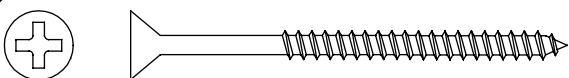
10S SILVER 1-1/8" FLAT HEAD SCREW - 6



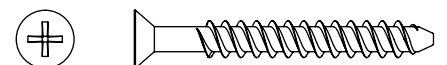
11S BLACK 1/2" FLAT HEAD SCREW - 4



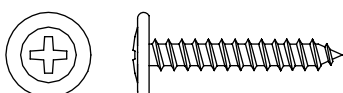
26S BLACK 2-1/4" FLAT HEAD SCREW - 4



30S BLACK 1-9/16" FLAT HEAD SCREW - 12

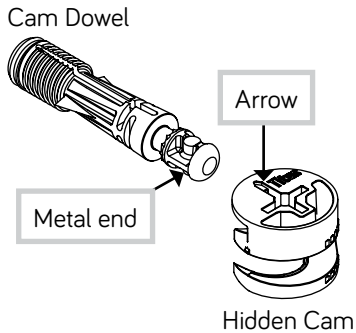


102S SILVER 1" LARGE HEAD SCREW - 4

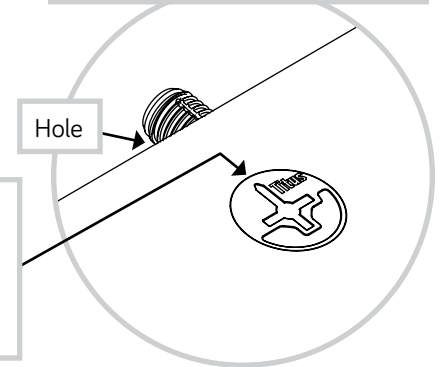


Hardware Usage Guide

HOW TO USE A HIDDEN CAM & CAM DOWEL



2. Insert the metal end of the CAM DOWEL into the HIDDEN CAM.



1. Push a HIDDEN CAM into the part. The arrow in the HIDDEN CAM must point toward the hole in the edge of the board.

3.

⚠ Caution
Risk of damage or injury. HIDDEN CAMS must be completely tightened. HIDDEN CAMS that are not completely tightened may loosen, and parts may separate. To completely tighten:

Start

Arrow

Tighten

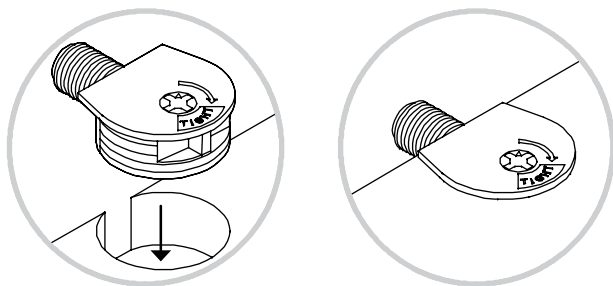
Maximum 210 degrees

Minimum 190 degrees

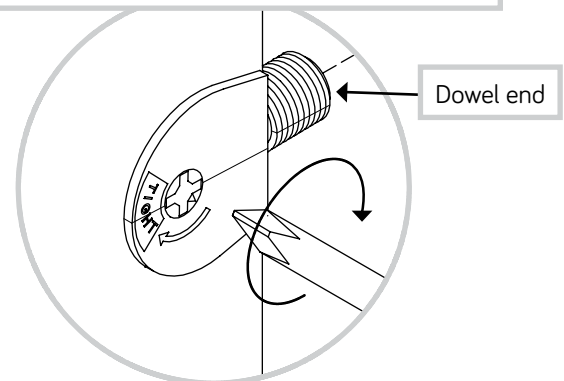
Arrow

HOW TO USE A TWIST-LOCK® FASTENER

1. Push a TWIST-LOCK® FASTENER into the large hole in the part.

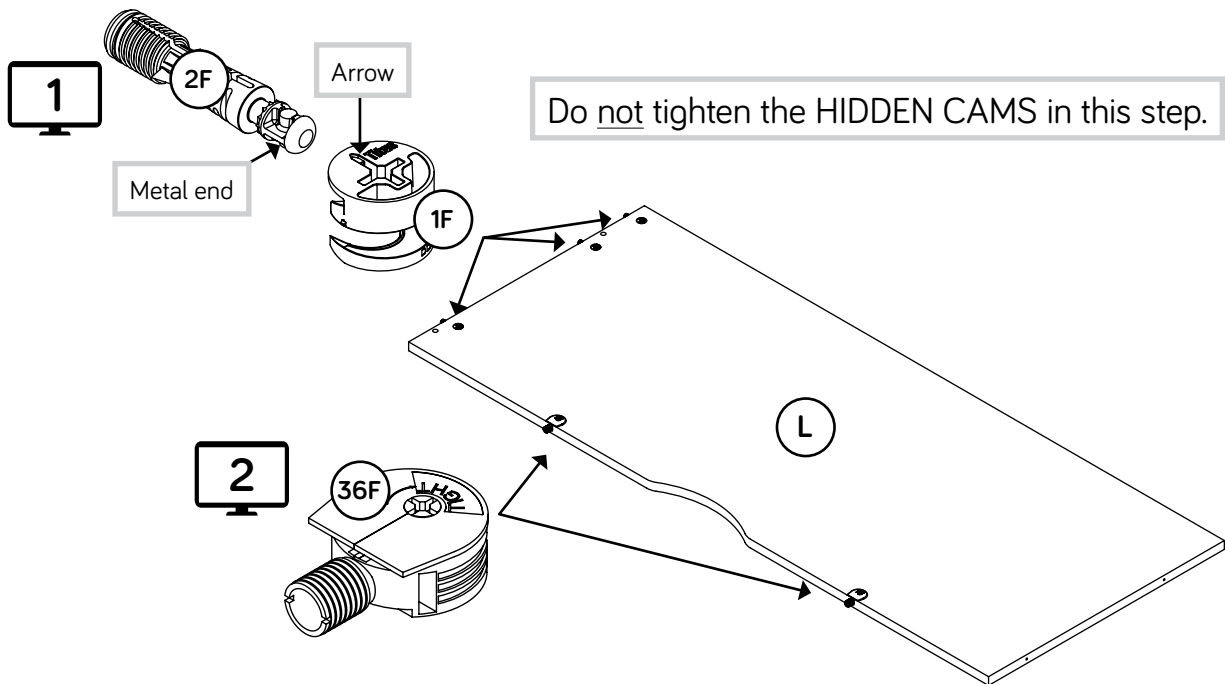


2. 1. Insert the dowel end of the FASTENER into the hole of the adjoining part.
NOTE: The dowel end of the FASTENER must remain fully inserted in the hole of the adjoining part while locking the FASTENER.
2. Tighten the FASTENER with a Phillips screwdriver as tight as possible.

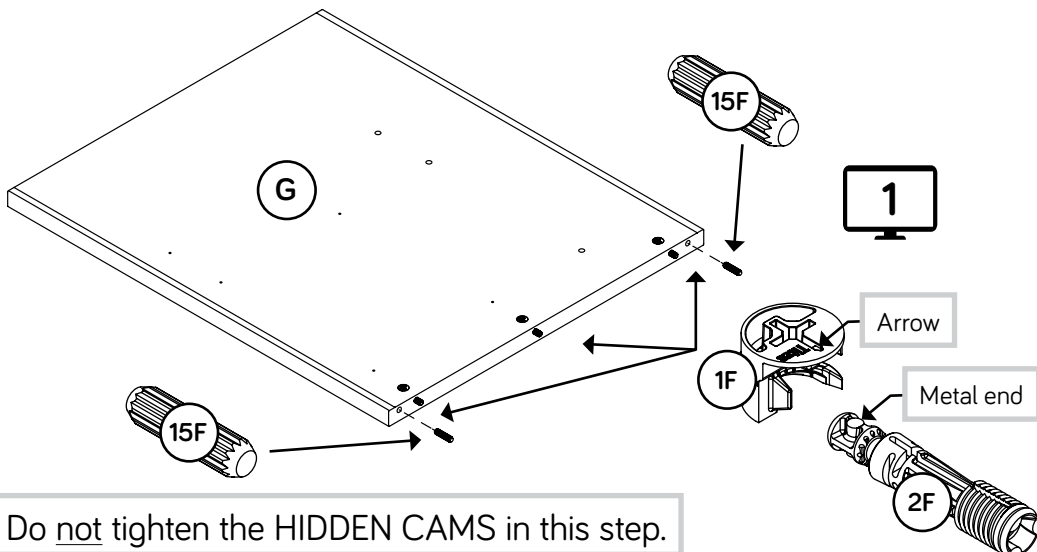


Step 1

- ✚ Assemble your unit on a carpeted floor or on the empty carton to avoid scratching your unit or the floor.
- ✚ Push two SAUDER TWIST-LOCK® FASTENERS (36F) into the large holes in the MODESTY PANEL (L).
- ✚ Push three HIDDEN CAMS (1F) into the MODESTY PANEL (L). Then, insert the metal end of a CAM DOWEL (2F) into each HIDDEN CAM.
- ✚ Insert two WOOD DOWELS (15F) into the LARGE UPRIGHT (G).
- ✚ Push three HIDDEN CAMS (1F) into the LARGE UPRIGHT (G). Then, insert the metal end of a CAM DOWEL (2F) into each HIDDEN CAM.



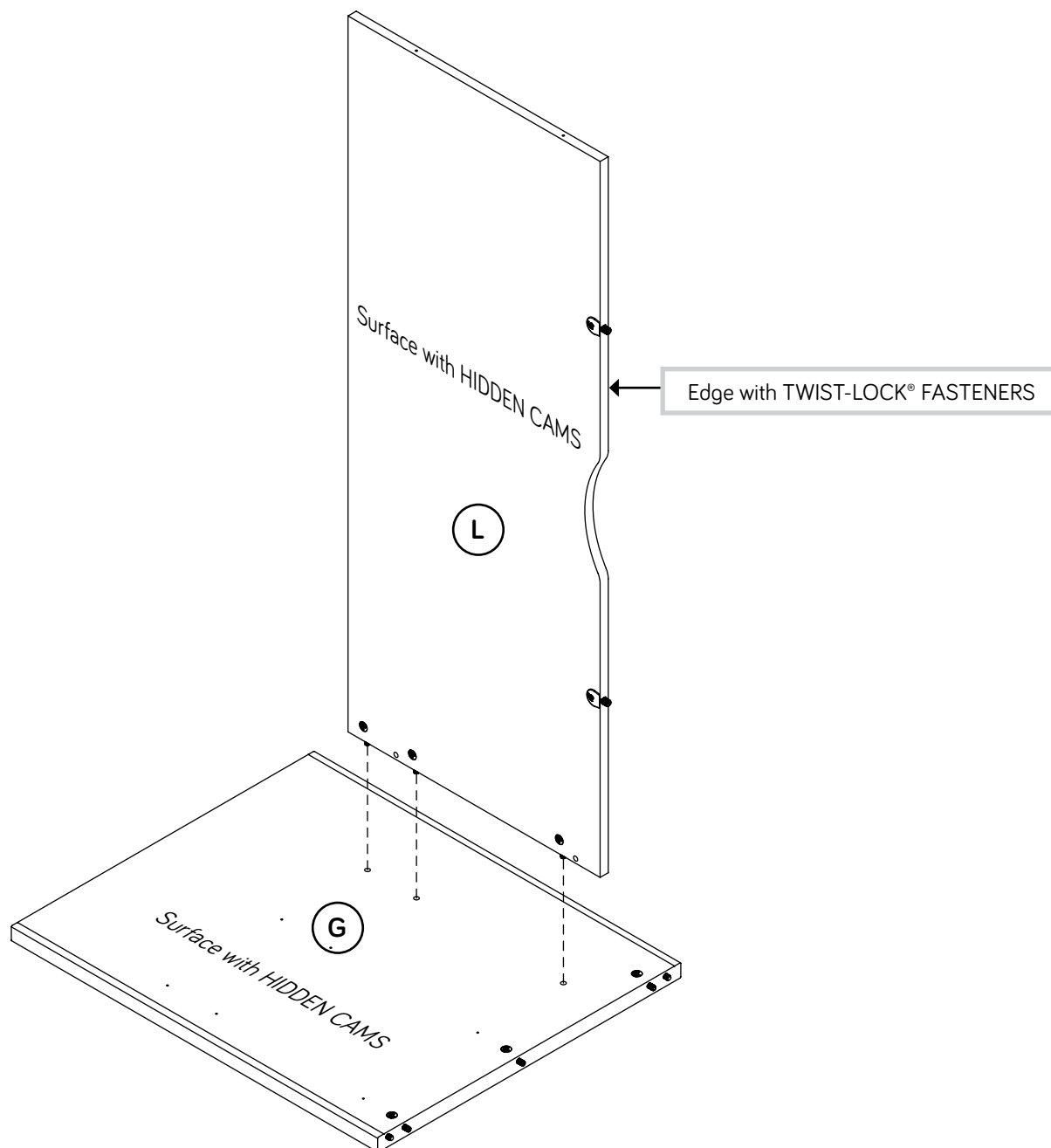
Do not tighten the TWIST-LOCK® FASTENERS in this step.



Do not tighten the HIDDEN CAMS in this step.

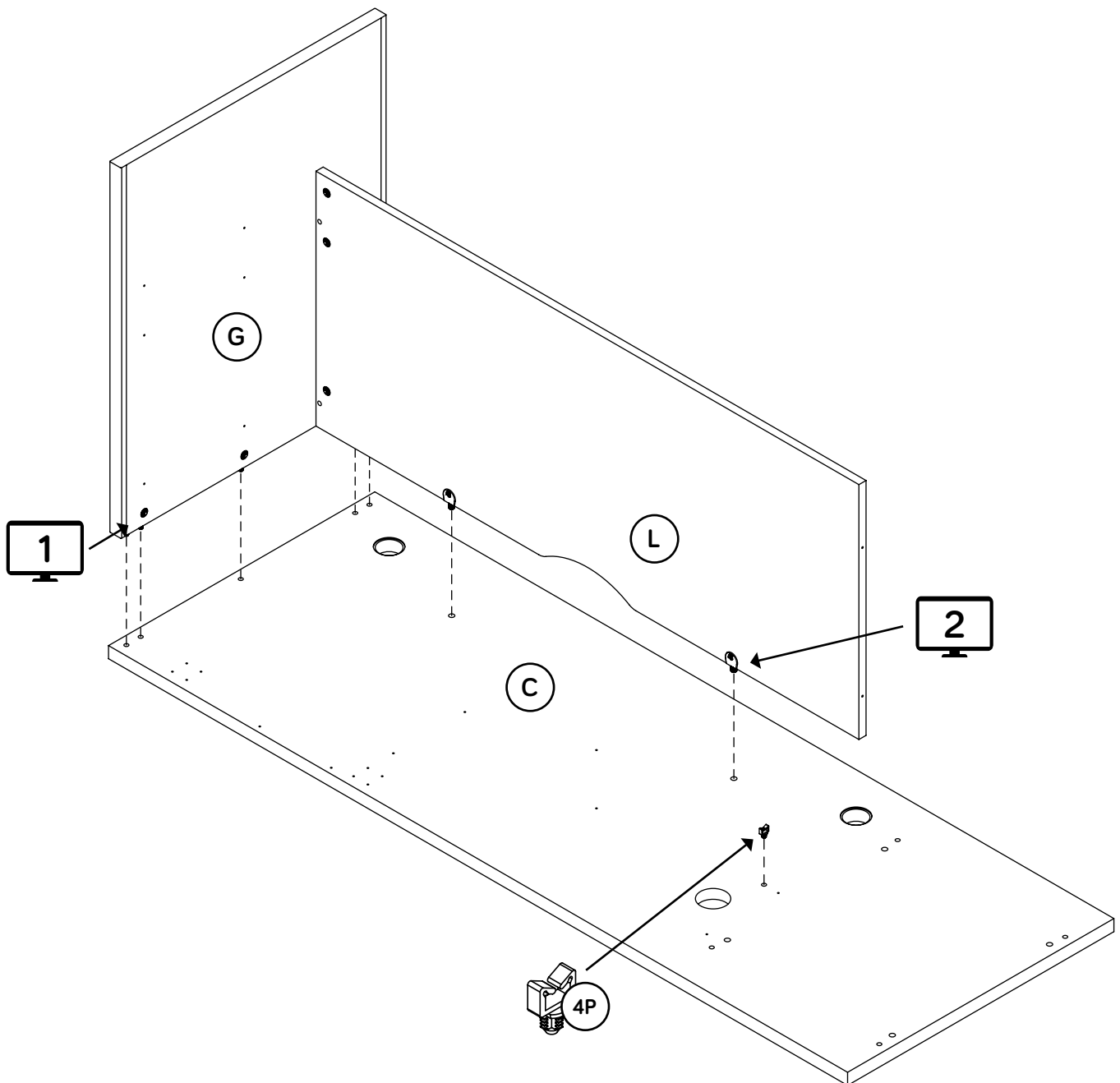
Step 2

- Fasten the MODESTY PANEL (L) to the LARGE UPRIGHT (G).
Tighten three HIDDEN CAMS.



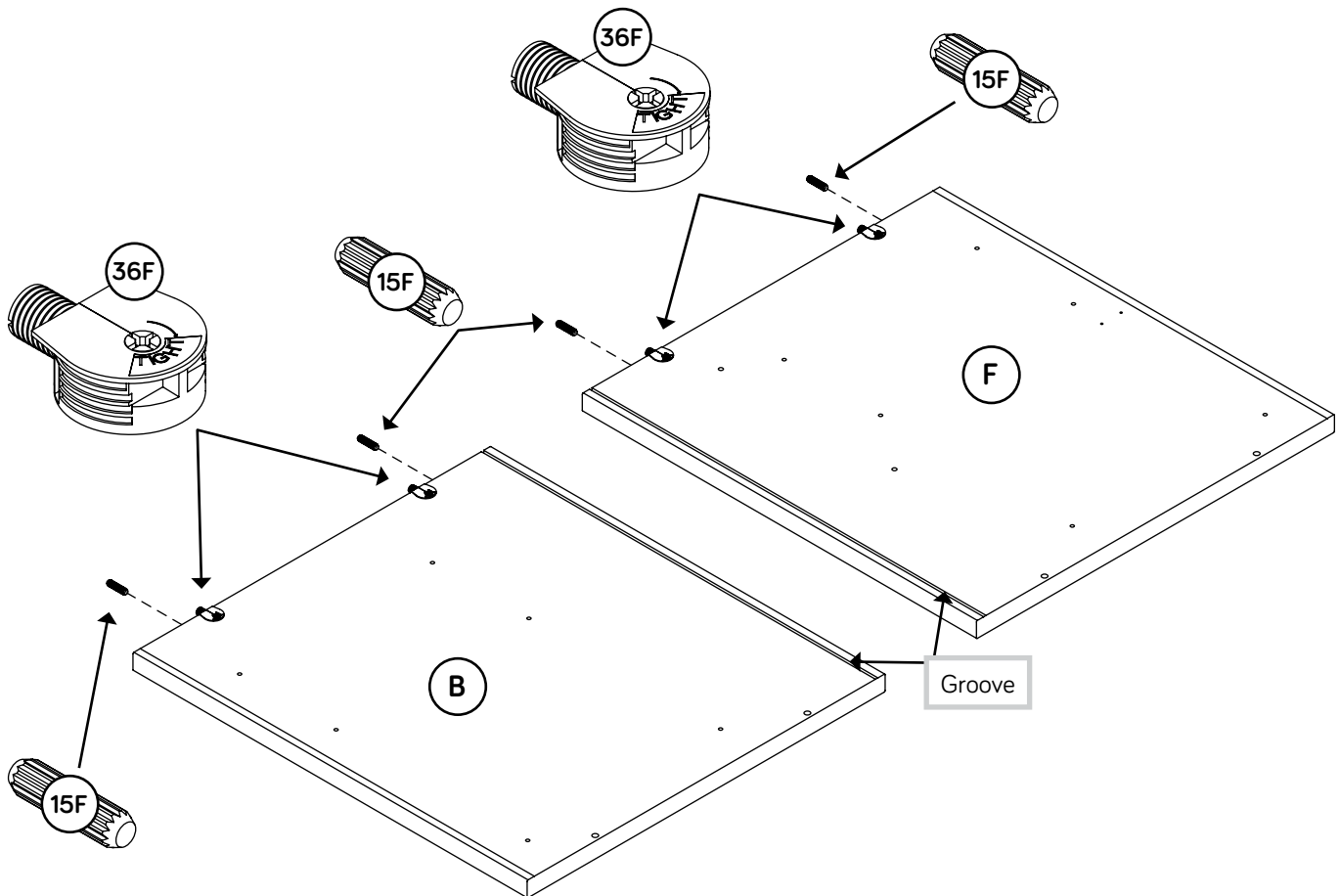
Step 5

- Fasten the MODESTY PANEL (L) and LARGE UPRIGHT (G) to the TOP (C). Tighten three HIDDEN CAMS and two SAUDER TWIST-LOCK® FASTENERS.
- Push a CORD CLIP (4P) into the hole in the TOP (C).
- NOTE:** The CORD CLIP is used to hold a cord to the TOP.



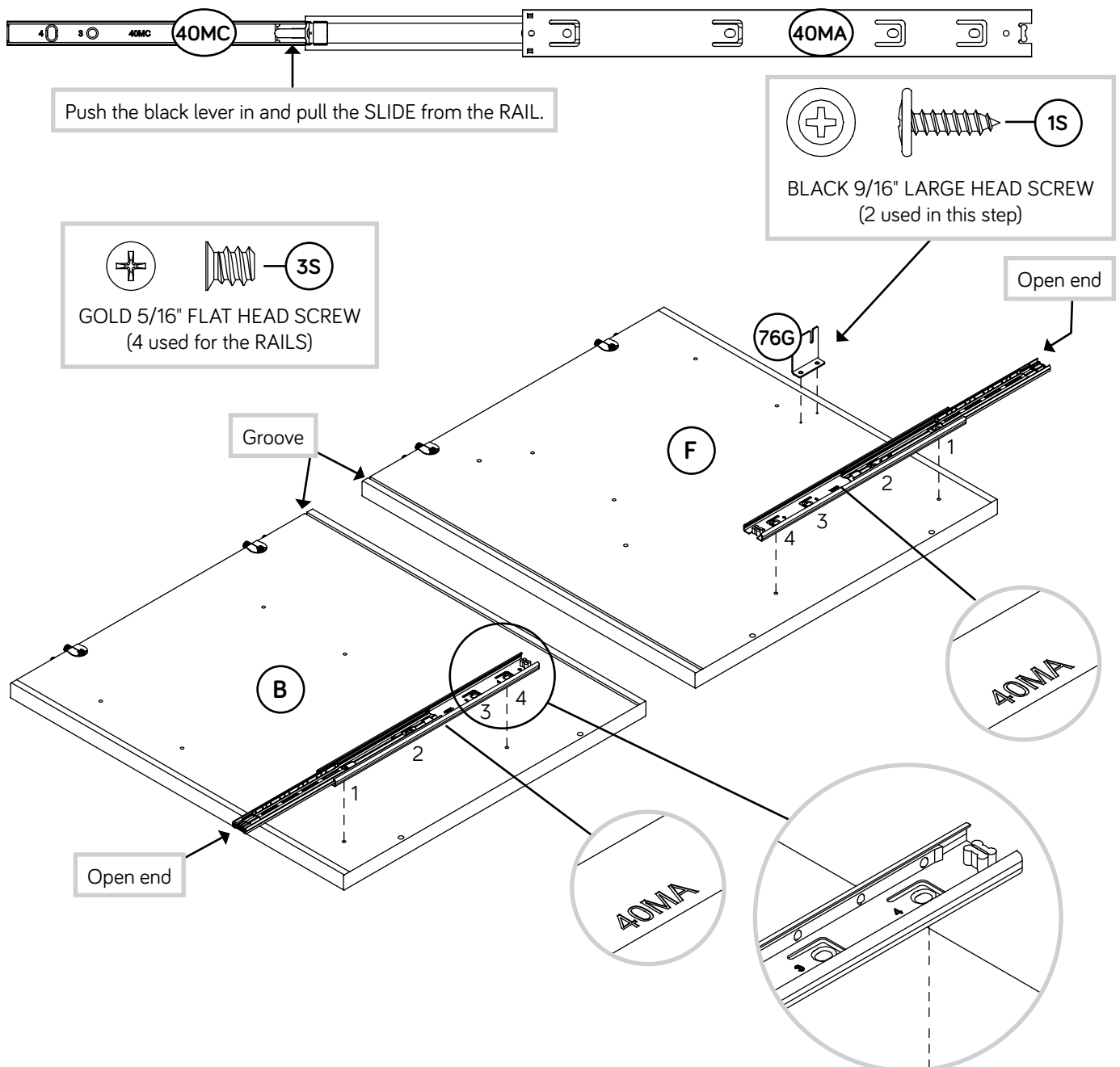
Step 6

- ✚ Push four SAUDER TWIST-LOCK® FASTENERS (36F) into the large holes in the LEFT END (B) and LEFT UPRIGHT (F).
- ✚ Insert four WOOD DOWELS (15F) into the LEFT END (B) and LEFT UPRIGHT (F).



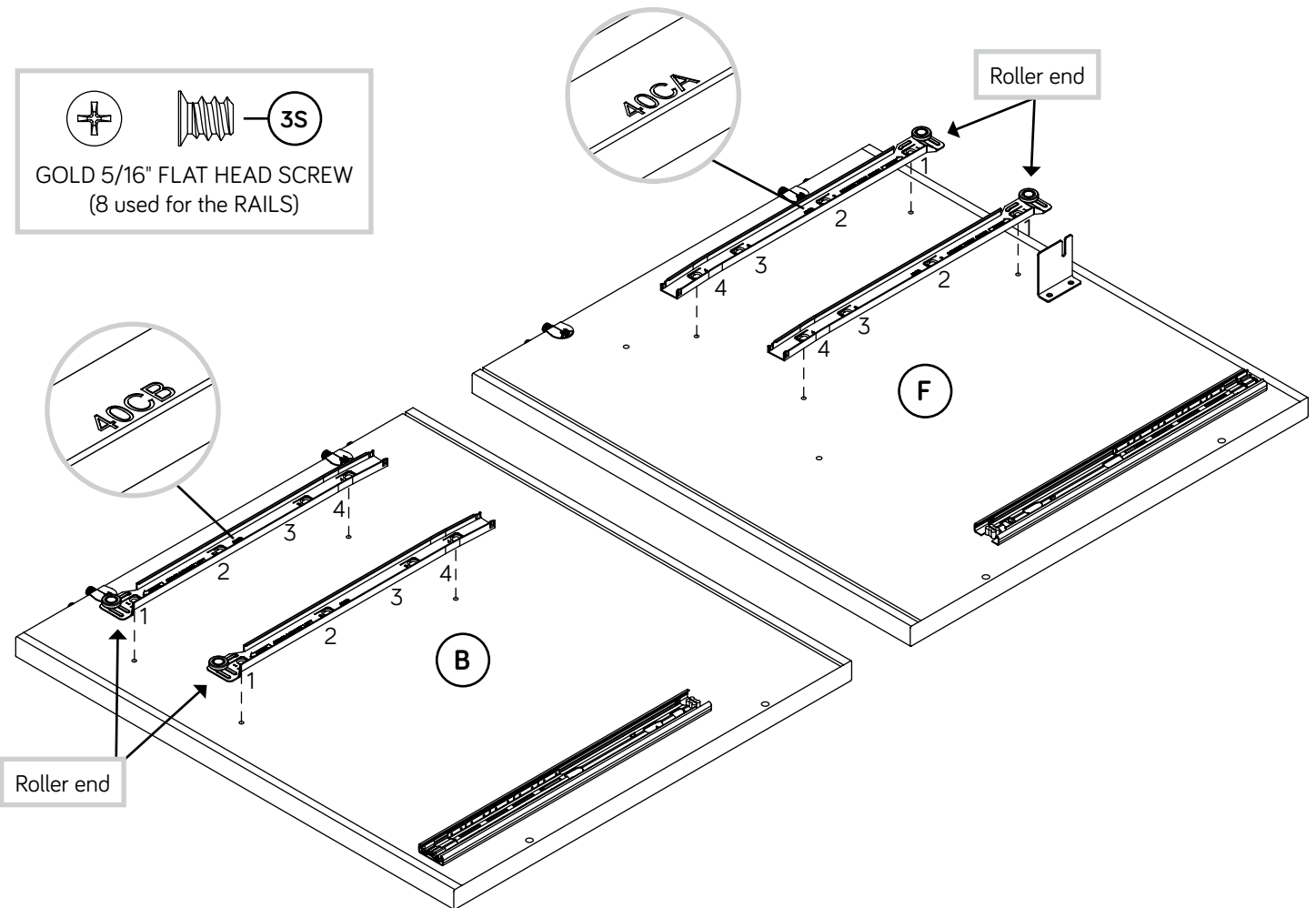
Step 7

- ✦ Separate the EXTENSION SLIDES (40MC) from the EXTENSION RAILS (40MA) as shown in the upper diagram below. Be prepared, the parts are greasy.
- ✦ Fasten the EXTENSION RAILS (40MA) to the LEFT END (B) and LEFT UPRIGHT (F). Use four GOLD 5/16" FLAT HEAD SCREWS (3S) through holes #1 and #4.
- ✦ NOTE: For each EXTENSION RAIL, turn a SCREW into the hole shown in the enlarged diagram. Then, slide the inner cartridge of the EXTENSION RAIL in to find the other hole that lines up with the hole in the END and UPRIGHT. Turn a SCREW into this hole.
- ✦ NOTE: The EXTENSION SLIDES will be used later for the DRAWERS.
- ✦ Fasten the L-LOCK BRACKET (76G) to the LEFT UPRIGHT (F). Use two BLACK 9/16" LARGE HEAD SCREWS (1S).



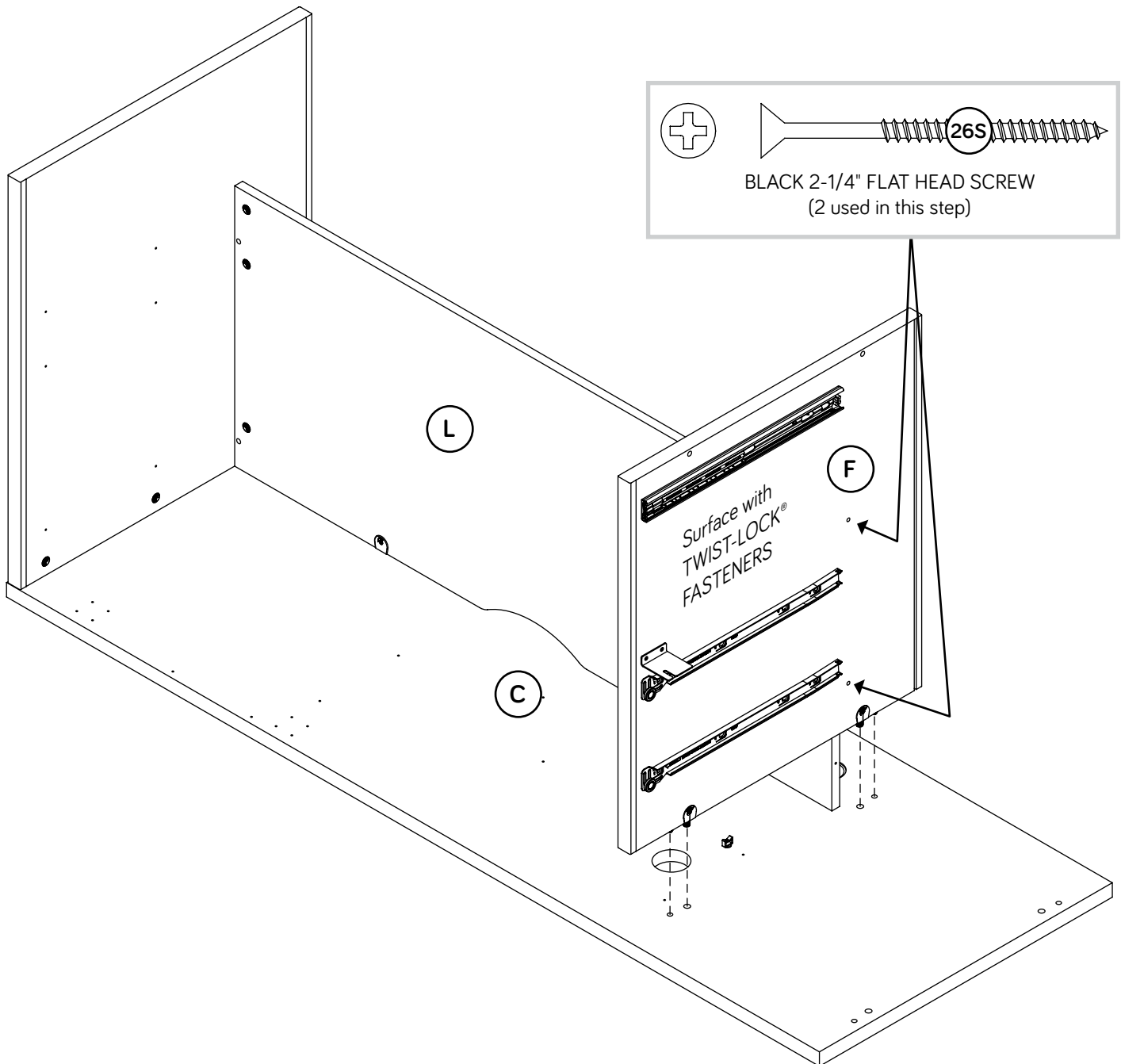
Step 8

- Fasten the CABINET RIGHT (40CA) to the LEFT UPRIGHT (F) and the CABINET LEFT (40CB) to the LEFT END (B). Use eight GOLD 5/16" FLAT HEAD SCREWS (3S) through holes #1 and #4.



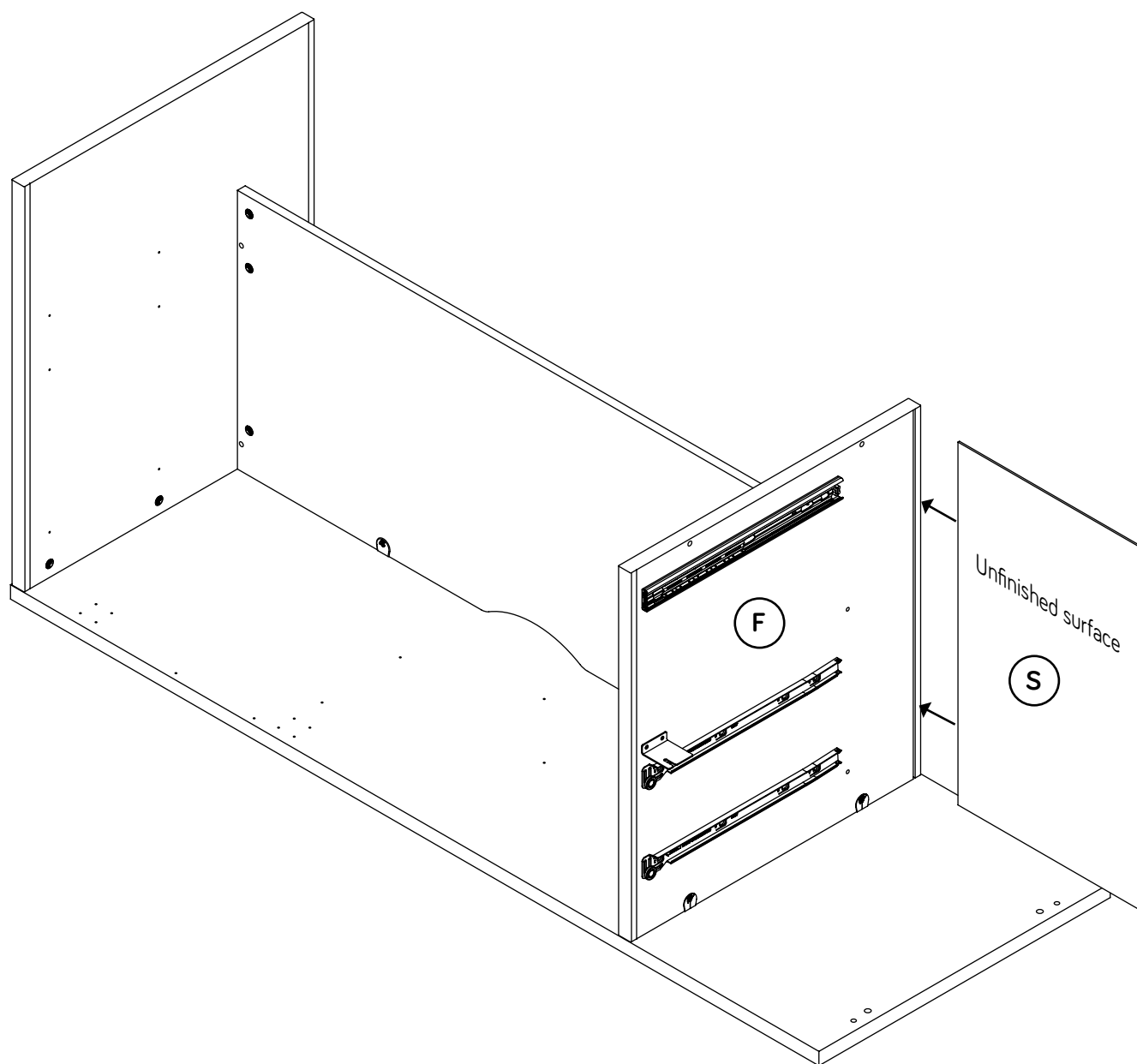
Step 9

- ✚ Fasten the LEFT UPRIGHT (F) to the TOP (C). Tighten two SAUDER TWIST-LOCK® FASTENERS.
- ✚ NOTE: Be sure the WOOD DOWELS in the LEFT UPRIGHT insert into the TOP.
- ✚ Fasten the LEFT UPRIGHT (F) to the MODESTY PANEL (L). Use two BLACK 2-1/4" FLAT HEAD SCREWS (26S).



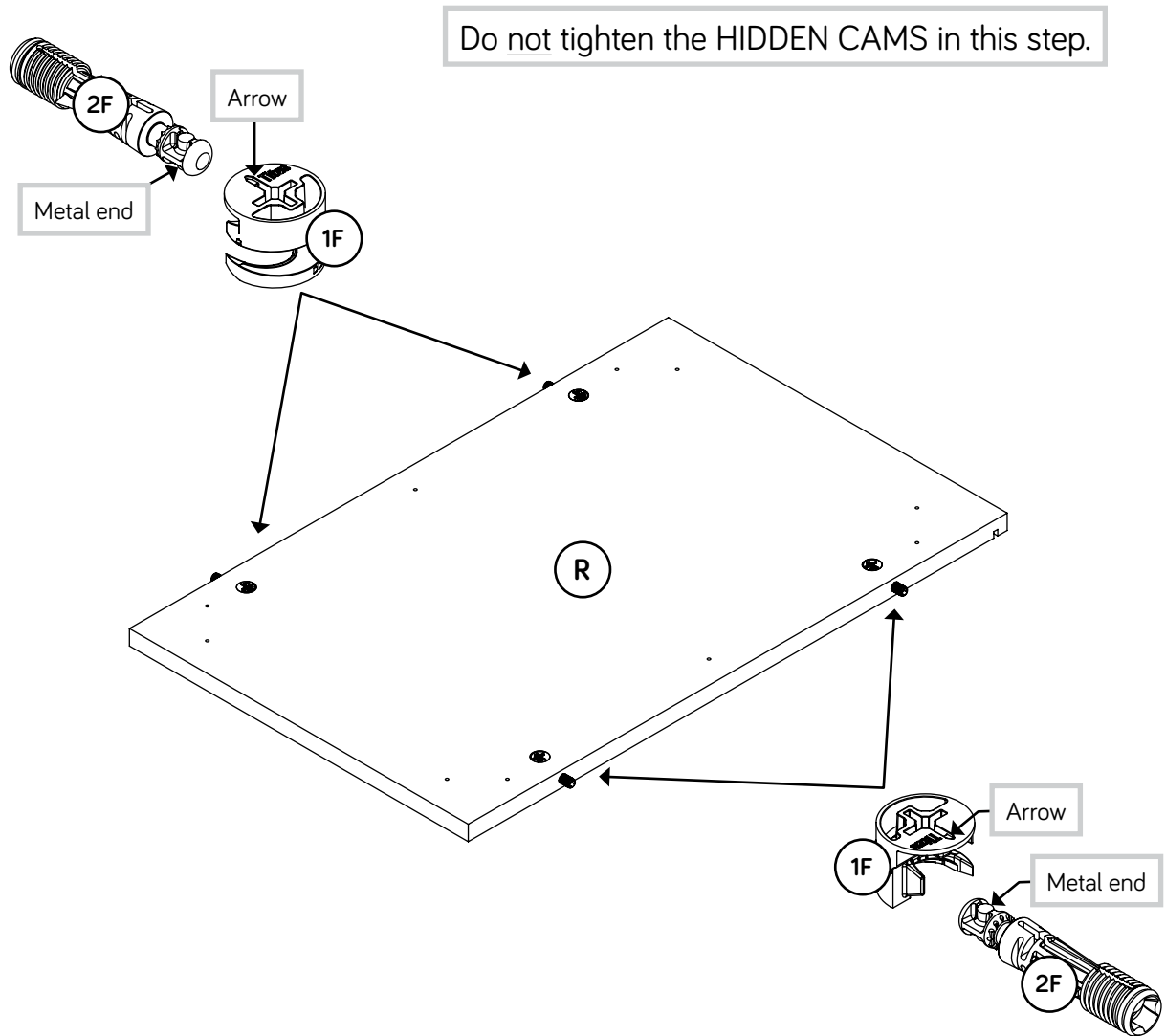
Step 10

- ↑ Push the LEFT BACK (S) into the groove of the LEFT UPRIGHT (F).



Step 11

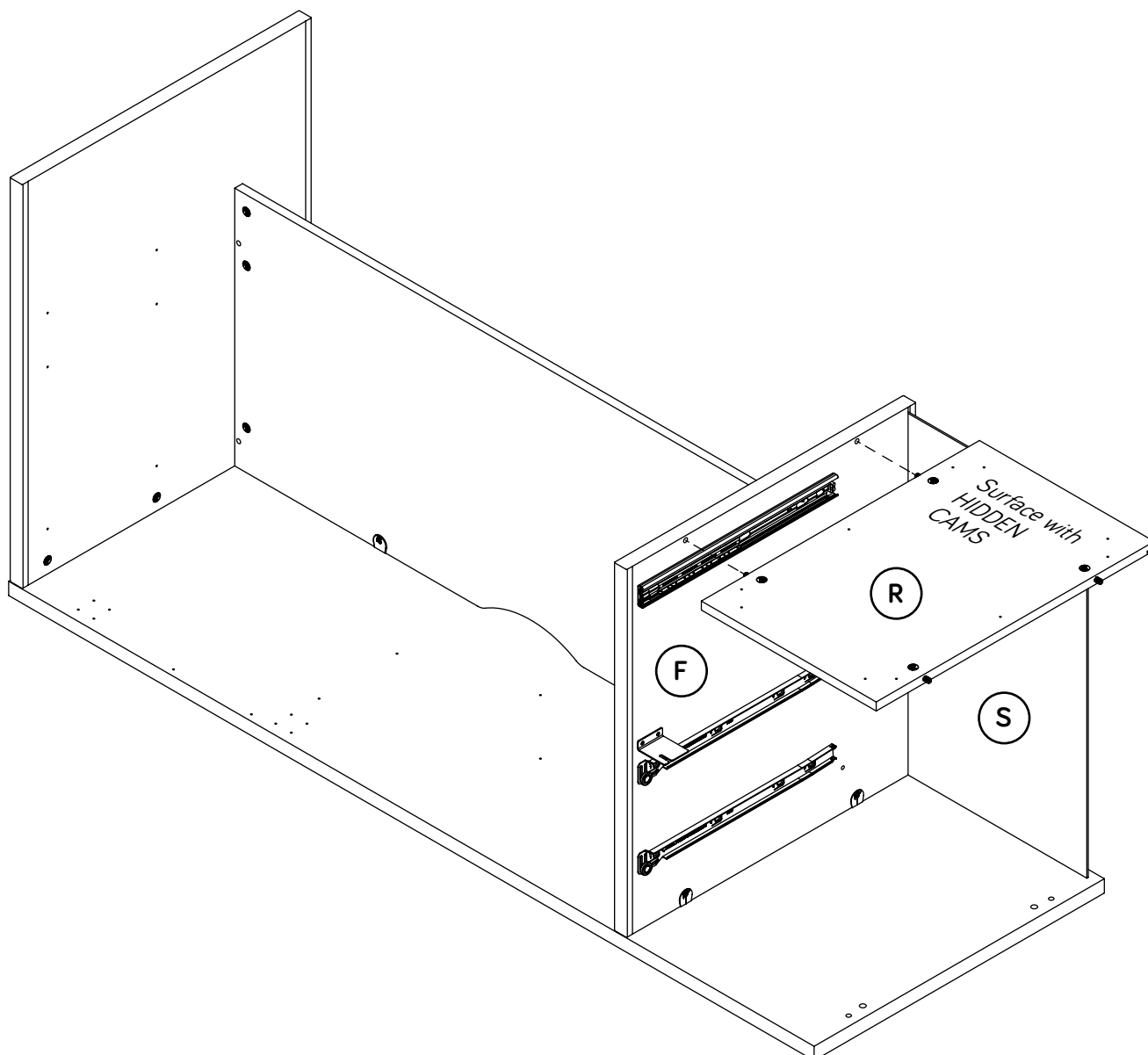
- Push four HIDDEN CAMS (1F) into the LEFT BOTTOM (R). Then, insert the metal end of a CAM DOWEL (2F) into each HIDDEN CAM.



Step 12

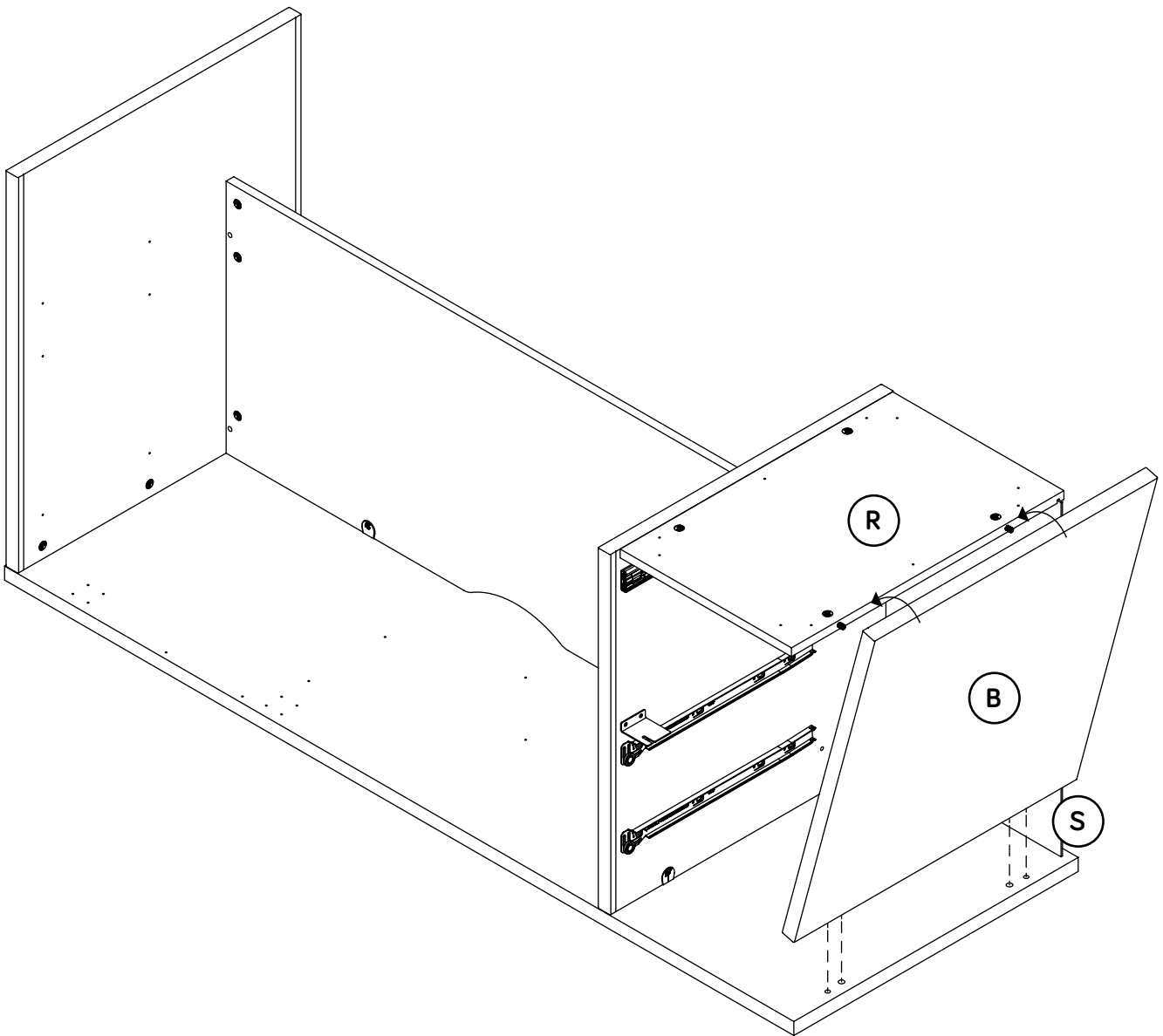
✚ Fasten the LEFT BOTTOM (R) to the LEFT UPRIGHT (F).
Tighten two HIDDEN CAMS.

✚ NOTE: Be sure the LEFT BACK (S) inserts into the groove of the LEFT BOTTOM (R).



Step 13

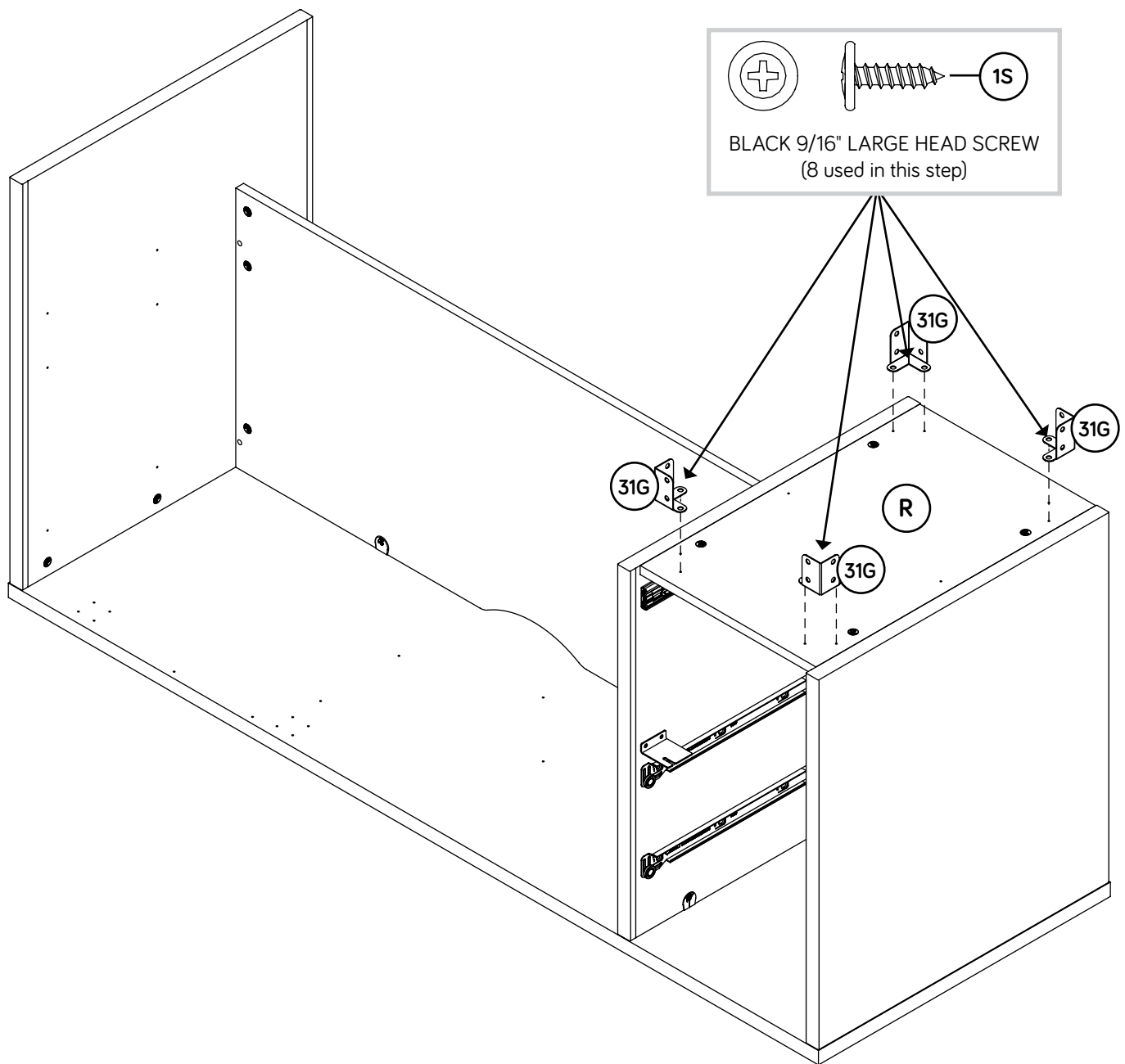
- ✚ Fasten the LEFT END (B) to the TOP (C) and LEFT BOTTOM (R). Tighten two SAUDER TWIST-LOCK® FASTENERS, and two HIDDEN CAMS.
- ✚ NOTE: Be sure the WOOD DOWELS in the LEFT END insert into the TOP.
- ✚ NOTE: Be sure the LEFT BACK (S) inserts into the groove of the LEFT END (B).



Step 14

✚ Fasten four CORNER BRACKETS (31G) to the LEFT BOTTOM (R) exactly as shown. Use eight BLACK 9/16" LARGE HEAD SCREWS (1S).

✚ NOTE: Do not tighten the screws at this time.

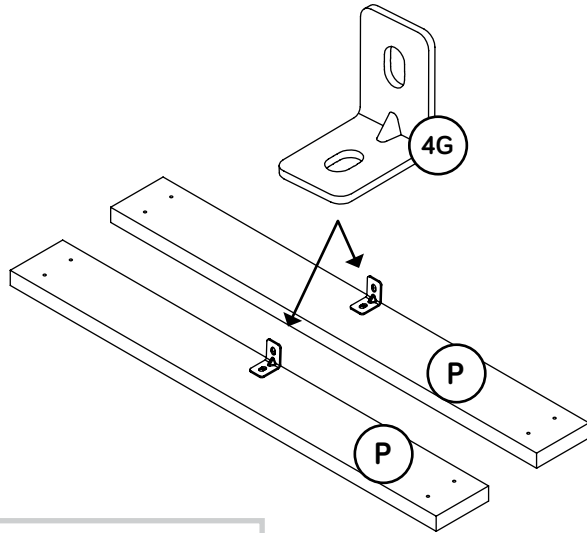


Step 15

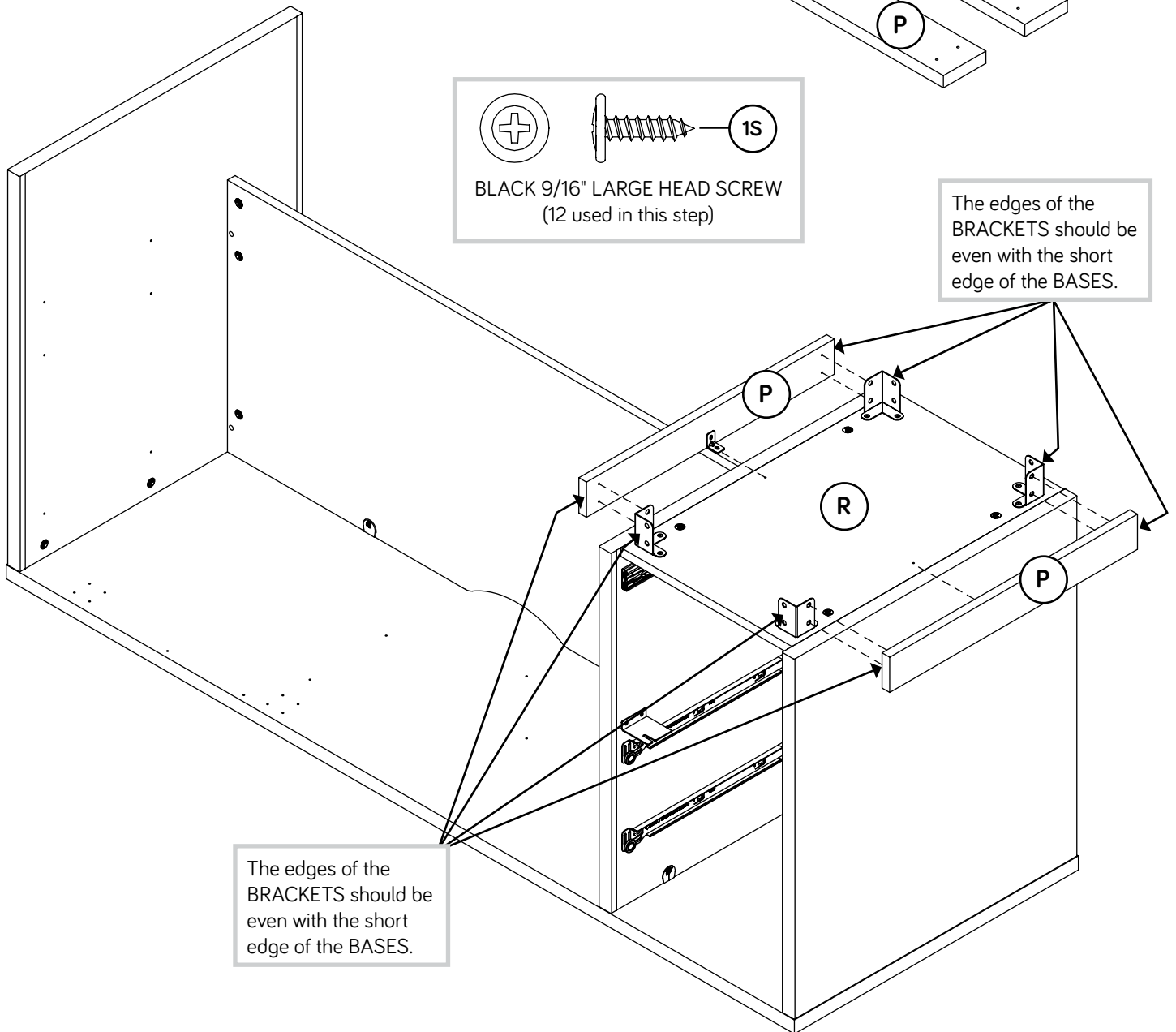
Fasten two METAL BRACKETS (4G) to two of the SIDE BASES (P). Use two BLACK 9/16" LARGE HEAD SCREWS (1S).

NOTE: Be sure the BRACKETS are even with the edges long edges of the BASES.

Fasten the SIDE BASES (P) to the BRACKETS on the LEFT BOTTOM (R). Use ten BLACK 9/16" LARGE HEAD SCREWS (1S).



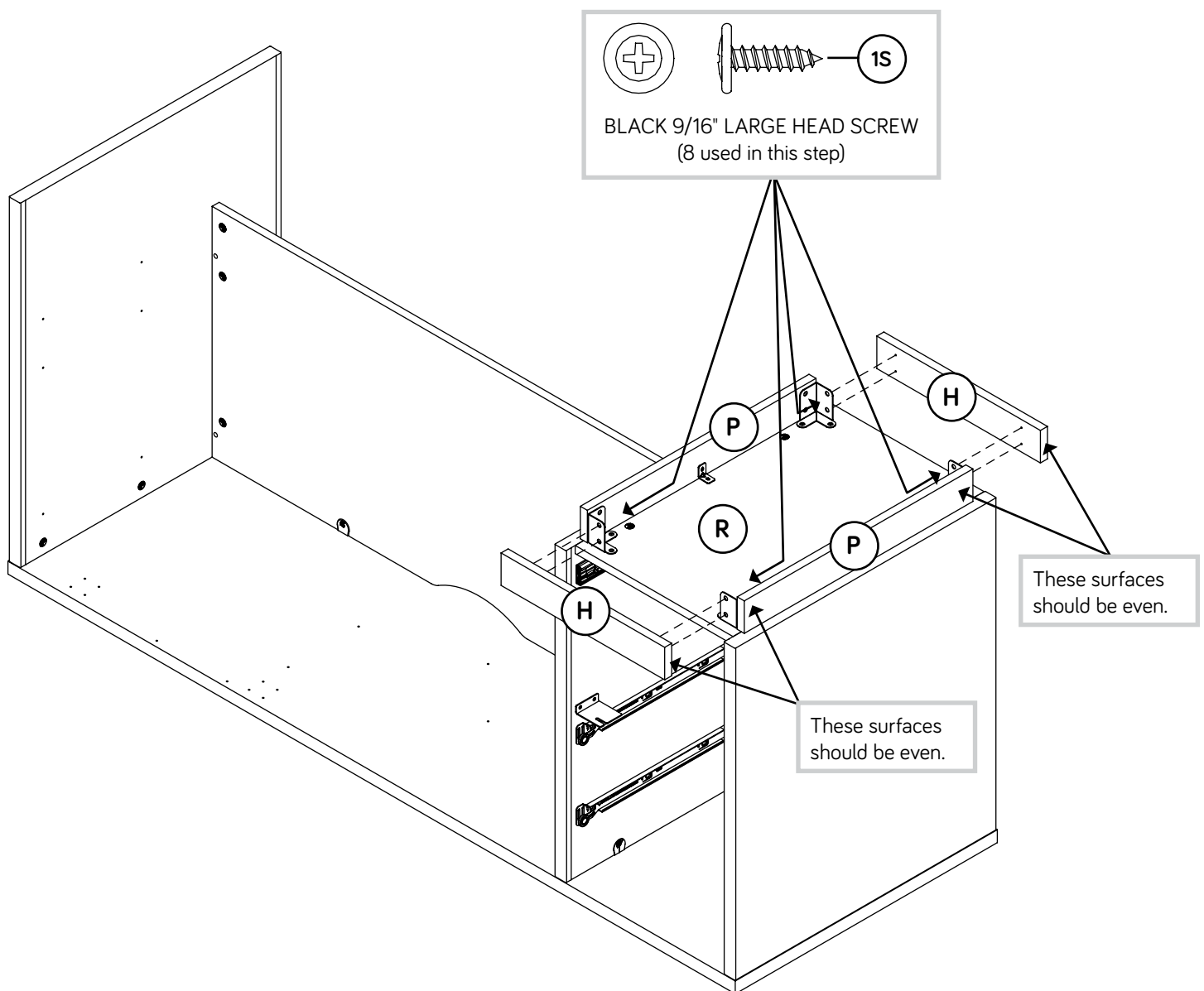
The edges of the BRACKETS should be even with the short edge of the BASES.



The edges of the BRACKETS should be even with the short edge of the BASES.

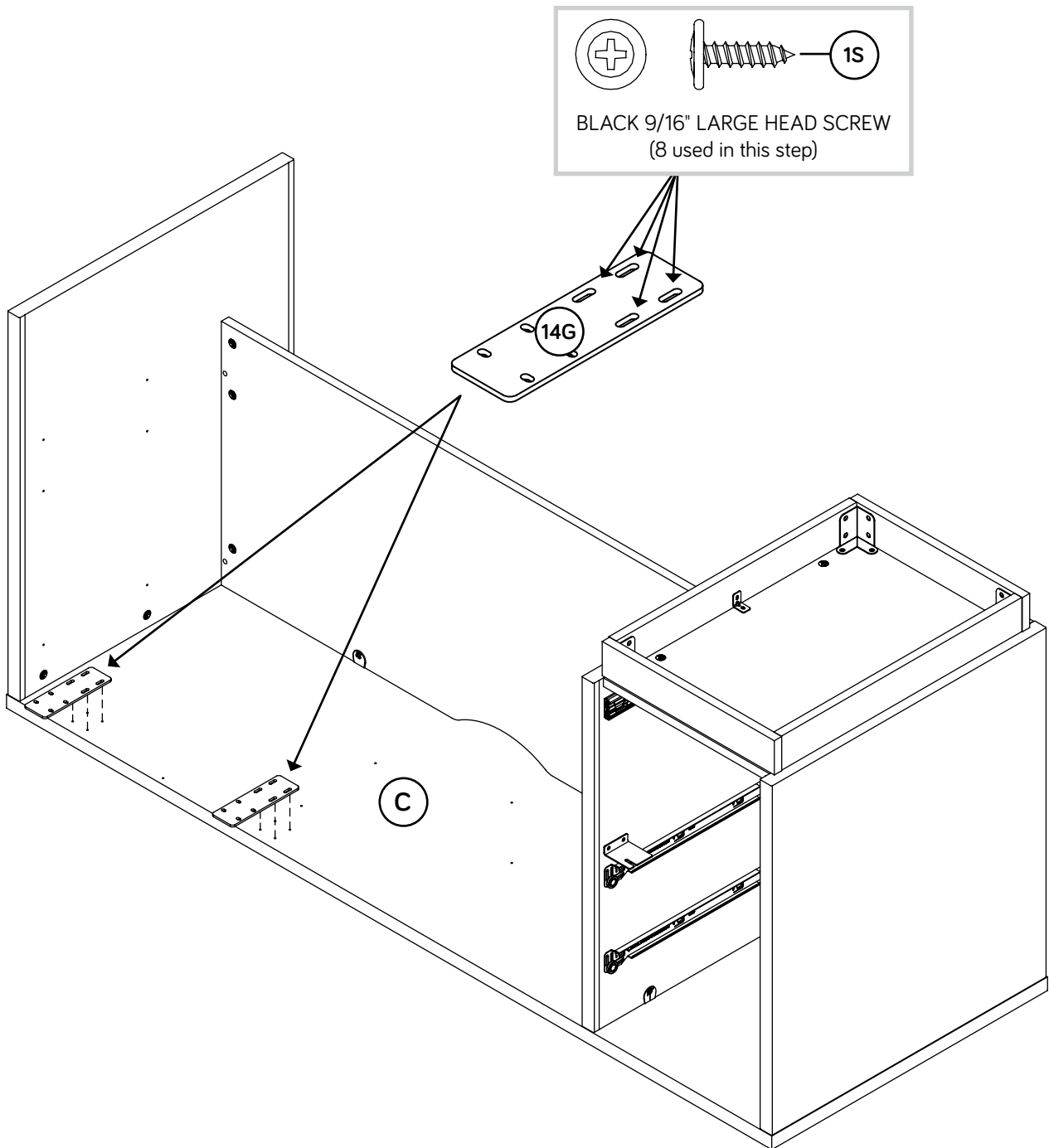
Step 16

- Fasten the LEFT BASES (H) to the CORNER BRACKETS on the LEFT BOTTOM (R). Use eight BLACK 9/16" LARGE HEAD SCREWS (1S).
- NOTE:** Be sure the short edges of the LEFT BASES (H) are even with the surface of the SIDE BASES (P).
- Tighten all SCREWS through the BRACKETS.



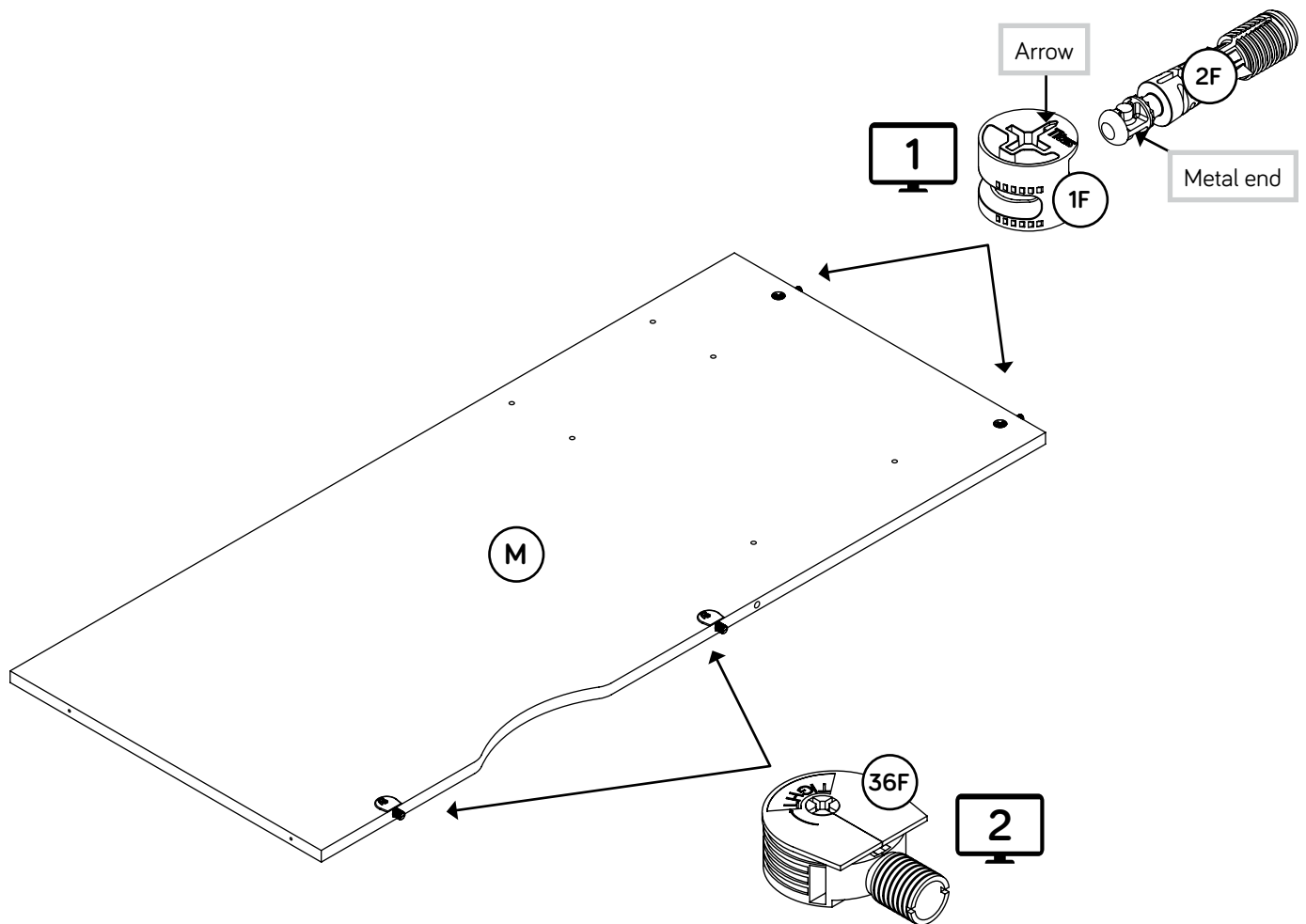
Step 17

- Fasten two CONNECTOR PLATES (14G) to the TOP (C).
Use eight BLACK 9/16" LARGE HEAD SCREWS (1S).



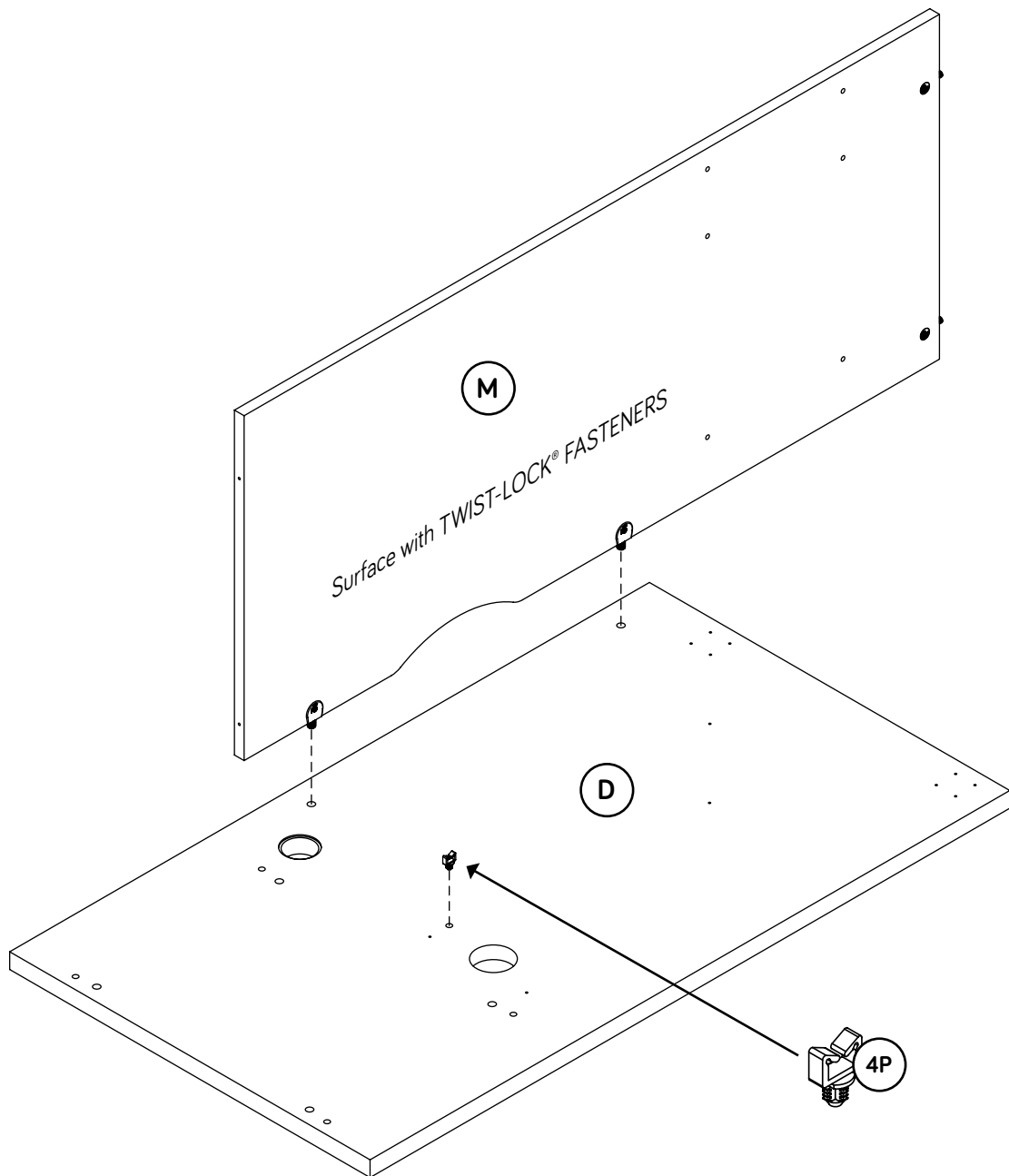
Step 18

- ✚ Push two SAUDER TWIST-LOCK® FASTENERS (36F) into the large holes in the SMALL MODESTY PANEL (M).
- ✚ Push two HIDDEN CAMS (1F) into the SMALL MODESTY PANEL (M). Then, insert the metal end of a CAM DOWEL (2F) into each HIDDEN CAM.



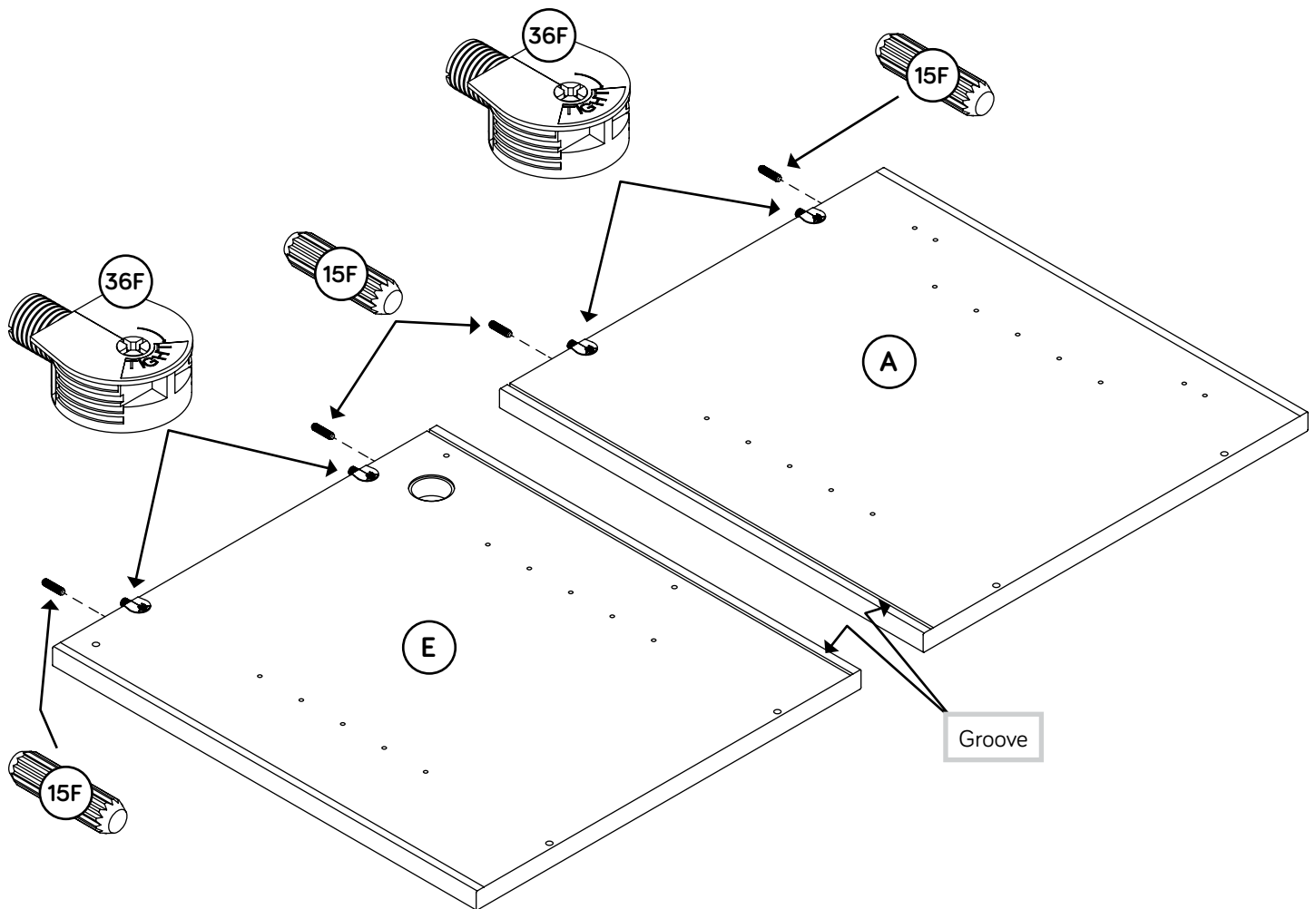
Step 19

- ✚ Fasten the SMALL MODESTY (M) to the SMALL TOP (D).
Tighten two SAUDER TWIST-LOCK® FASTENERS (36F).
- ✚ Push a CORD CLIP (4P) into the hole in the SMALL TOP (D).
- ✚ NOTE: The CORD CLIP is used to hold a cord to the SMALL TOP.



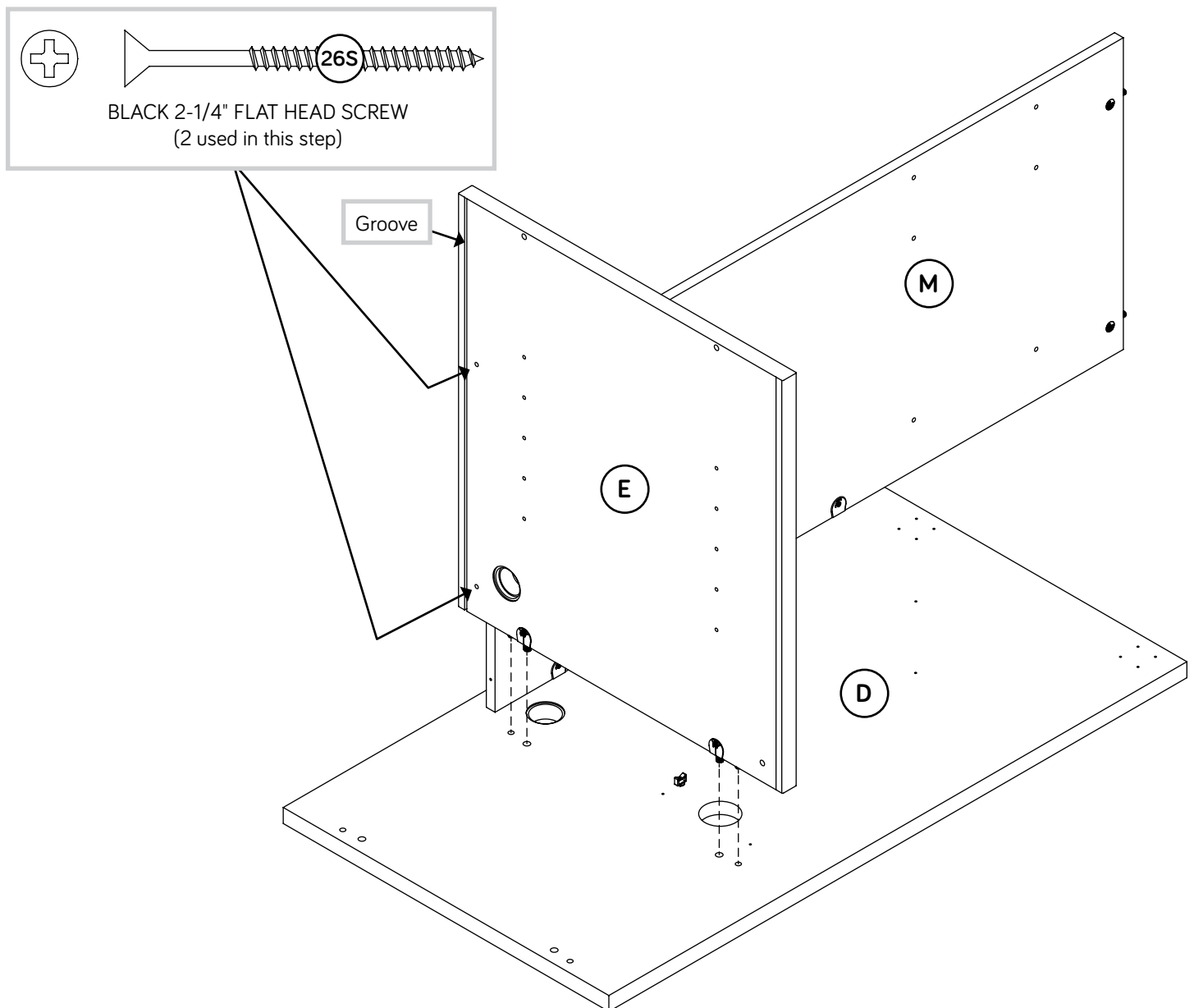
Step 21

- ✚ Push four SAUDER TWIST-LOCK® FASTENERS (36F) into the large holes in the RIGHT END (A) and RIGHT UPRIGHT (E).
- ✚ Insert four WOOD DOWELS (15F) into the RIGHT END (A) and RIGHT UPRIGHT (E).



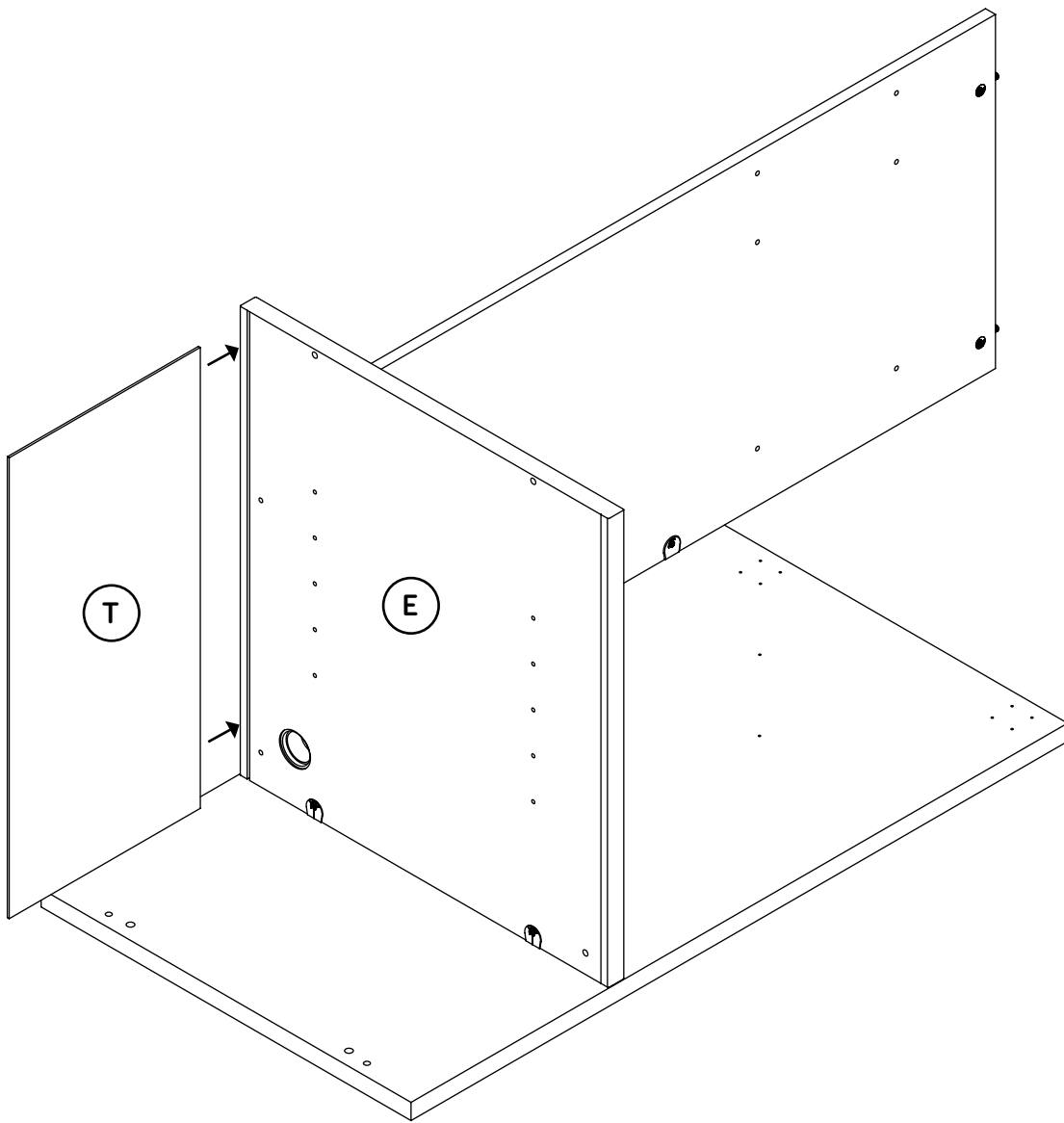
Step 22

- ✚ Fasten the RIGHT UPRIGHT (E) to the SMALL TOP (D). Tighten two SAUDER TWIST-LOCK® FASTENERS.
- ✚ NOTE: Be sure the WOOD DOWELS in the RIGHT UPRIGHT insert into the TOP.
- ✚ Fasten the RIGHT UPRIGHT (E) to the SMALL MODESTY PANEL (M). Use two BLACK 2-1/4" FLAT HEAD SCREWS (26S).



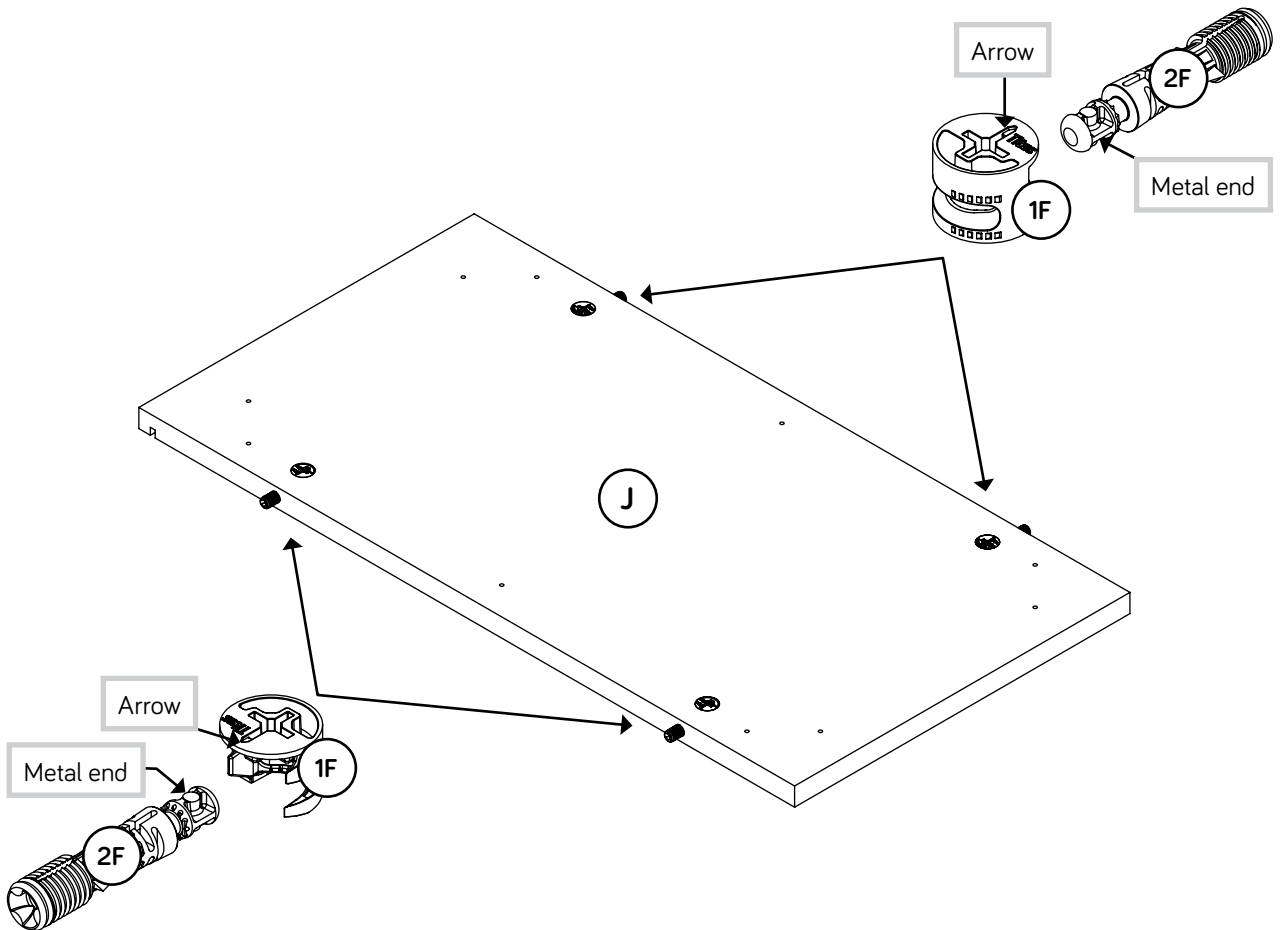
Step 23

- Push the RIGHT BACK (T) into the groove of the RIGHT UPRIGHT (E).



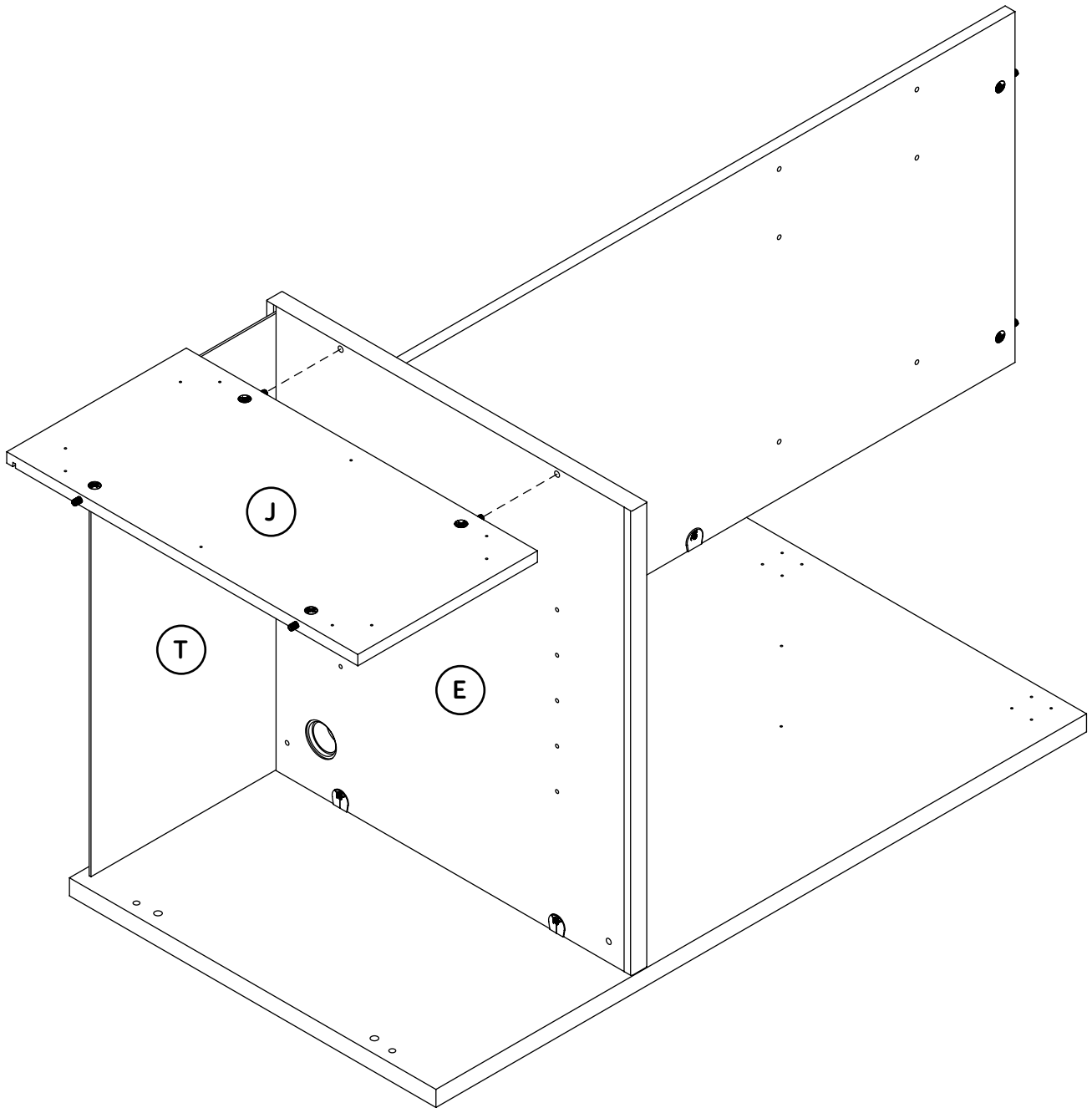
Step 24

- Push four HIDDEN CAMS (1F) into the RIGHT BOTTOM (J). Then, insert the metal end of a CAM DOWEL (2F) into each HIDDEN CAM.



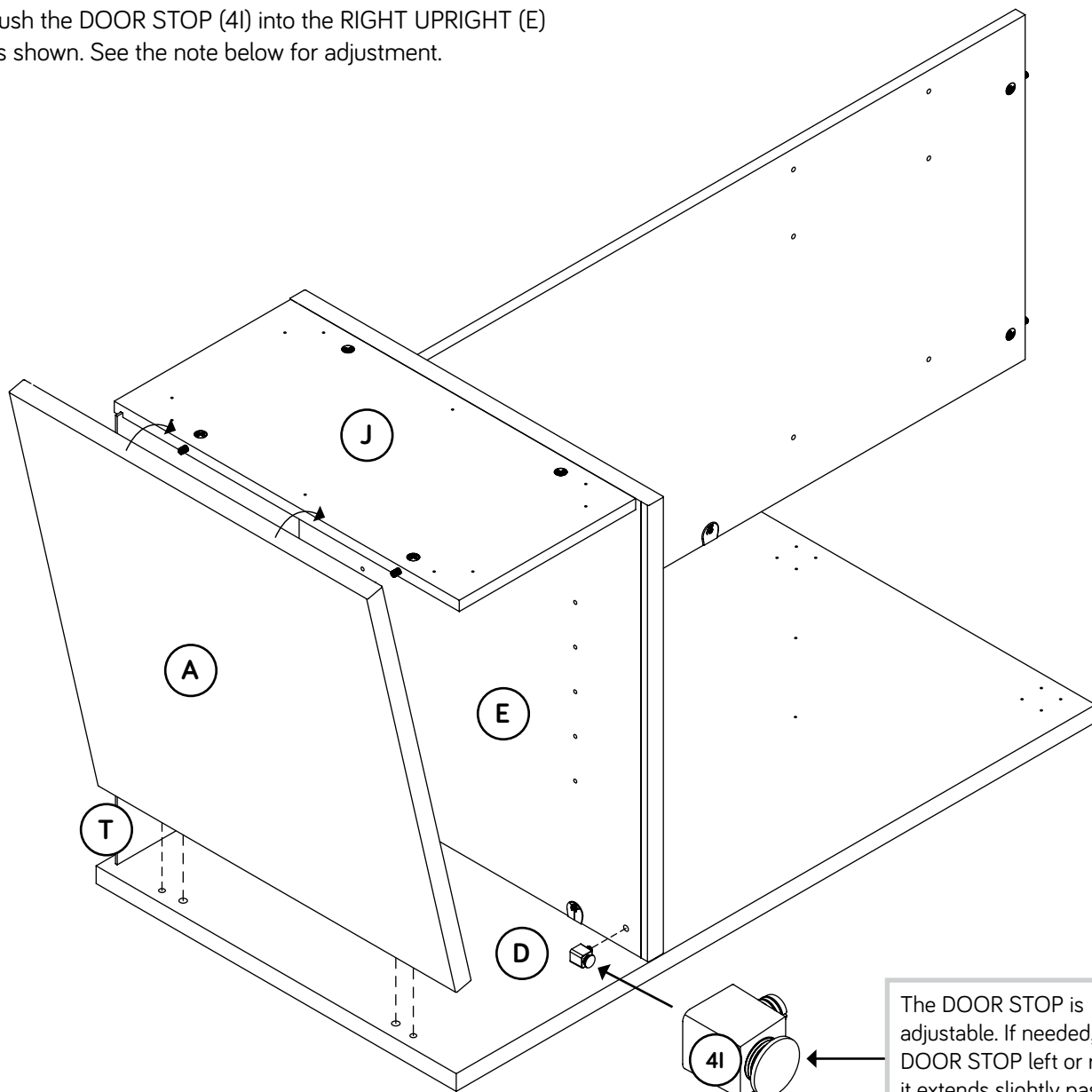
Step 25

- ✚ Fasten the RIGHT BOTTOM (J) to the RIGHT UPRIGHT (E).
Tighten two HIDDEN CAMS.
- ✚ NOTE: Be sure the RIGHT BACK (T) inserts into the groove of the RIGHT BOTTOM (J).



Step 26

- ✚ Fasten the RIGHT END (A) to the SMALL TOP (D) and RIGHT BOTTOM (J). Tighten two SAUDER TWIST-LOCK® FASTENERS and two HIDDEN CAMS.
- ✚ NOTE: Be sure the WOOD DOWELS in the RIGHT END insert into the TOP.
- ✚ NOTE: Be sure the RIGHT BACK (T) inserts into the groove of the RIGHT END (A).
- ✚ Push the DOOR STOP (4I) into the RIGHT UPRIGHT (E) as shown. See the note below for adjustment.



The DOOR STOP is adjustable. If needed, turn the DOOR STOP left or right until it extends slightly past the front edge of the UPRIGHT.

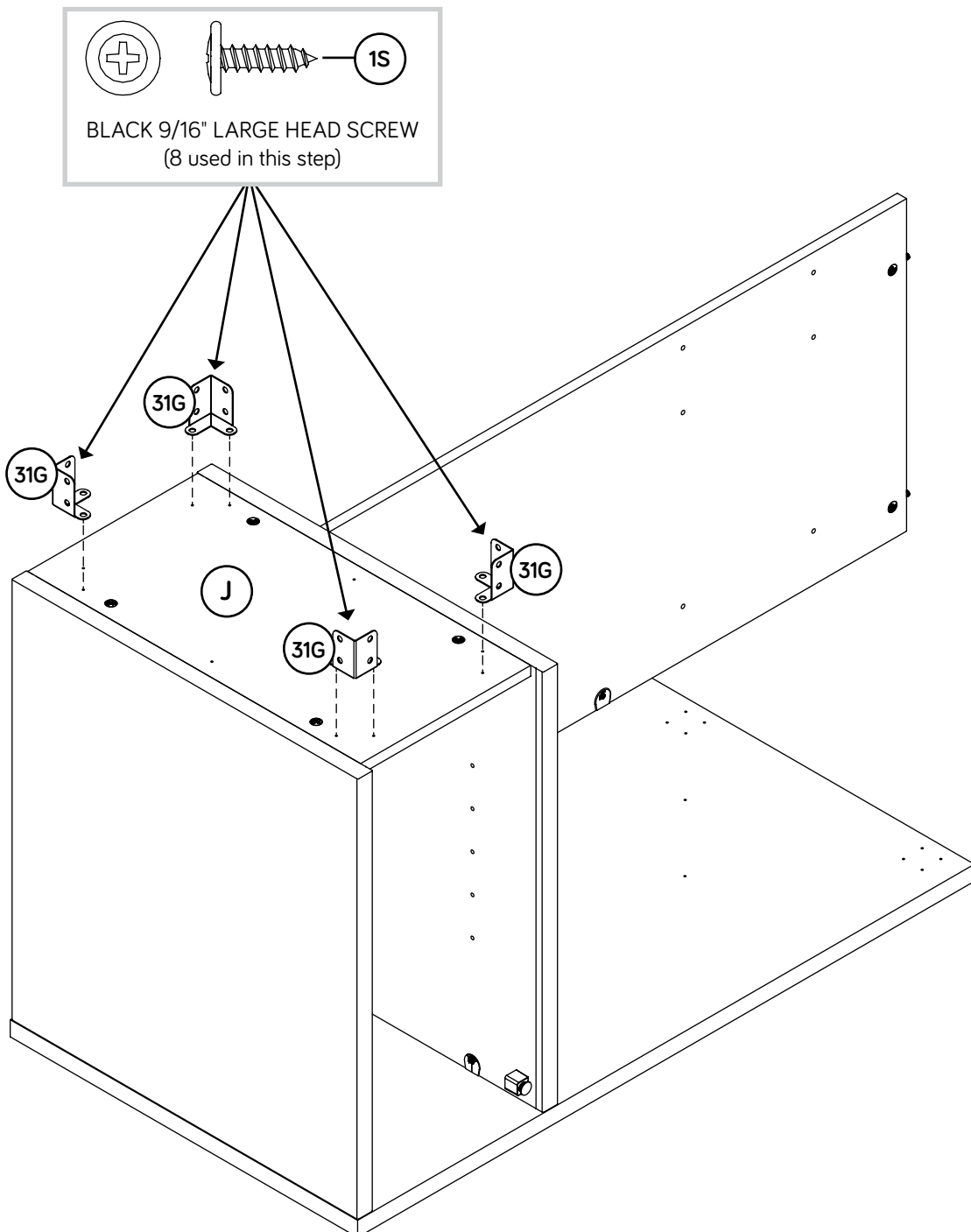
Step 27

Fasten four CORNER BRACKETS (31G) to the RIGHT BOTTOM (J) exactly as shown. Use eight BLACK 9/16" LARGE HEAD SCREWS (1S).

NOTE: Do not tighten the screws at this time.



Don't worry. It isn't Rome. This can be built in a day.

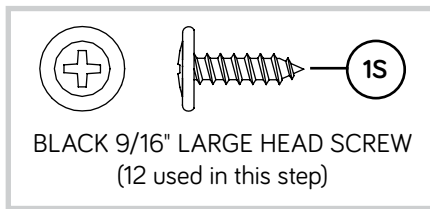
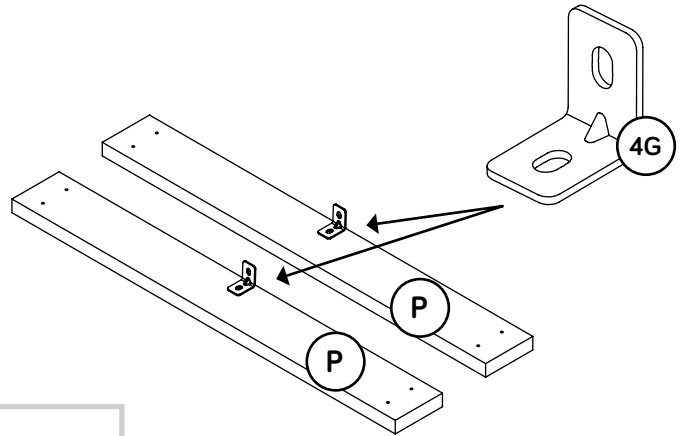


Step 28

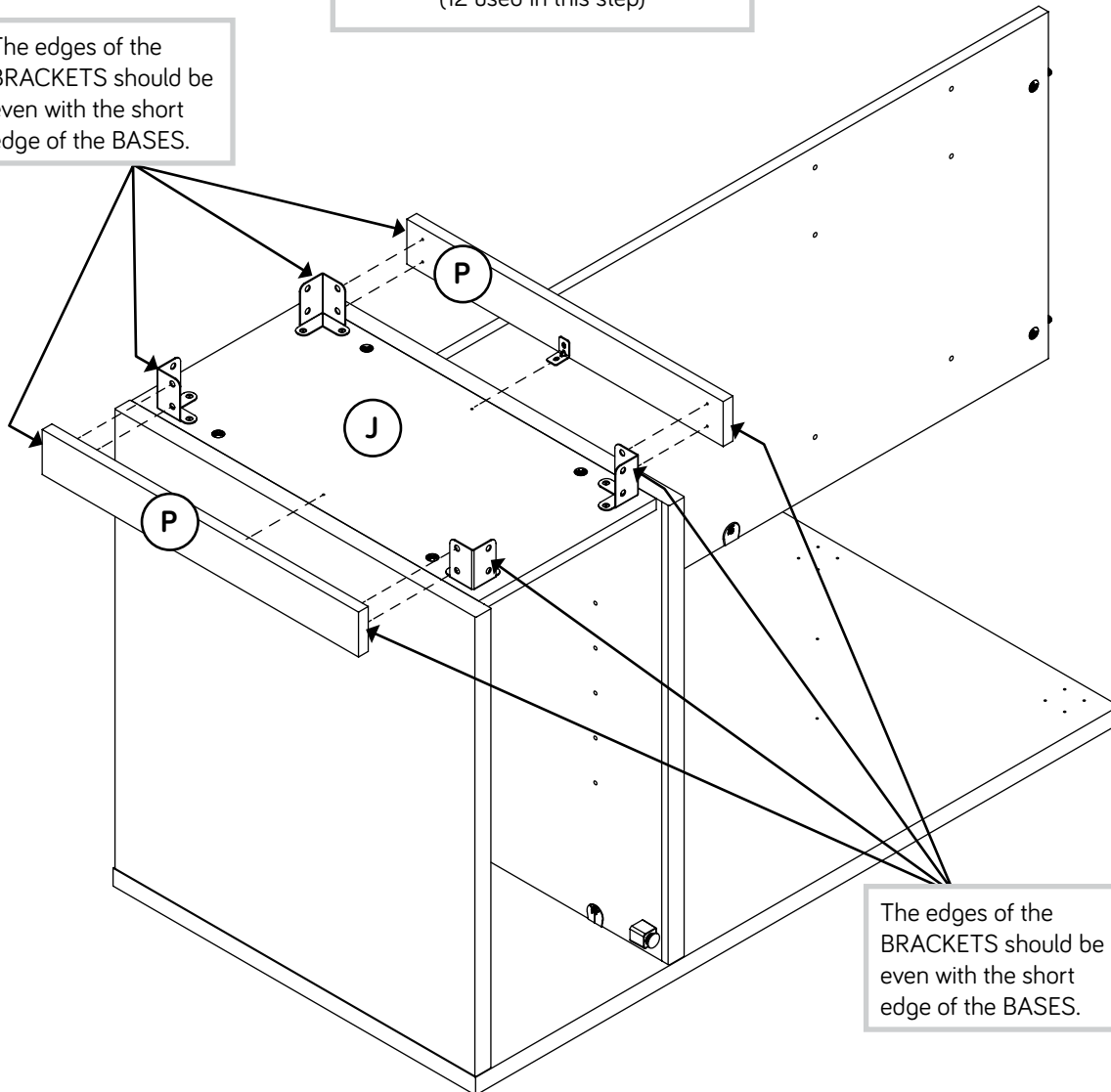
- Fasten two METAL BRACKETS (4G) to the SIDE BASES (P). Use two BLACK 9/16" LARGE HEAD SCREWS (1S).

NOTE: Be sure the BRACKETS are even with the long edges of the BASES.

- Fasten the SIDE BASES (P) to the BRACKETS on the RIGHT BOTTOM (J). Use ten BLACK 9/16" LARGE HEAD SCREWS (1S).



The edges of the BRACKETS should be even with the short edge of the BASES.



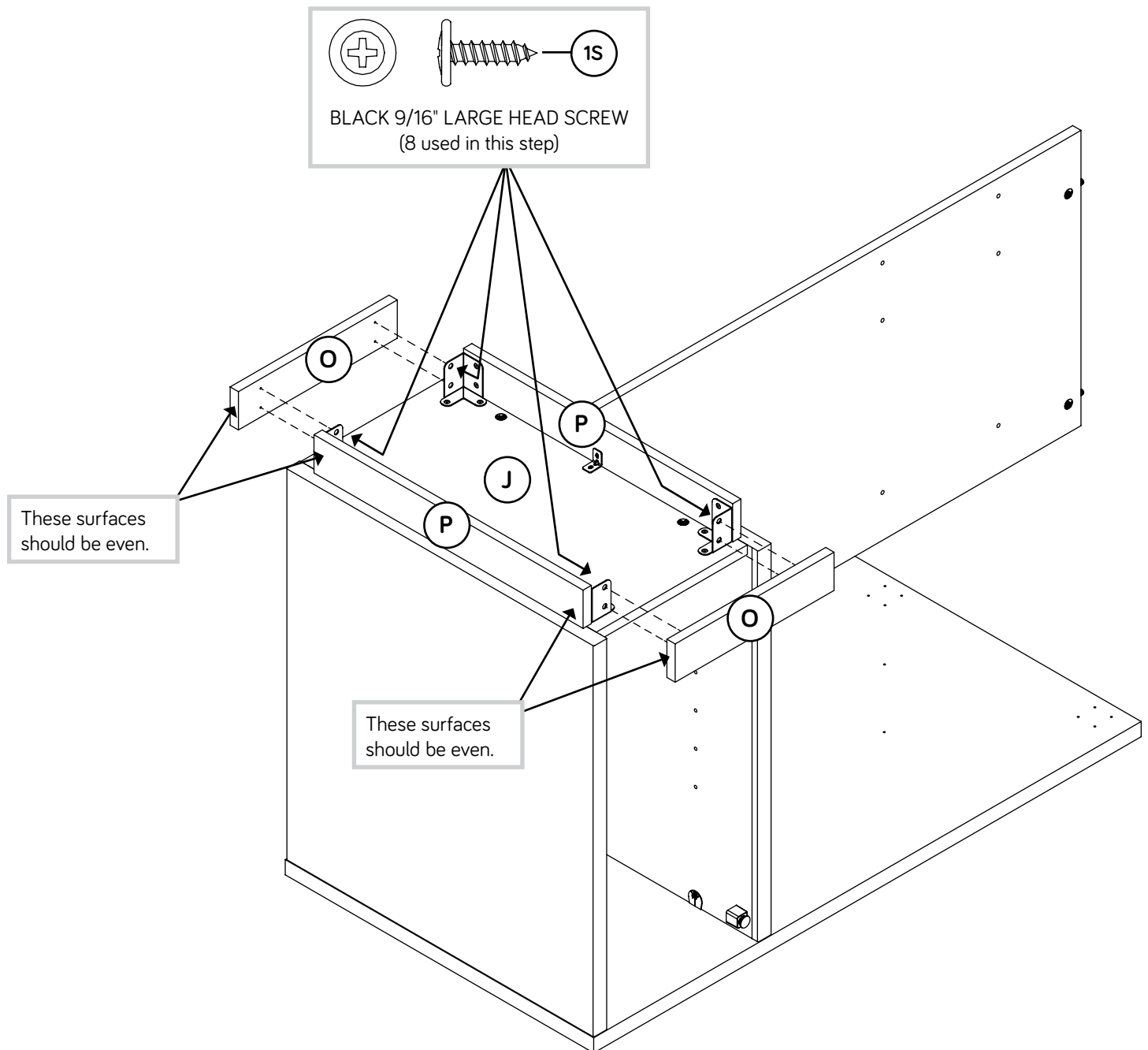
The edges of the BRACKETS should be even with the short edge of the BASES.

Step 29

✚ Fasten the RIGHT BASES (O) to the CORNER BRACKETS on the RIGHT BOTTOM (J). Use eight BLACK 9/16" LARGE HEAD SCREWS (1S).

✚ NOTE: Be sure the short edges of the RIGHT BASES (O) are even with the surface of the SIDE BASES (P).

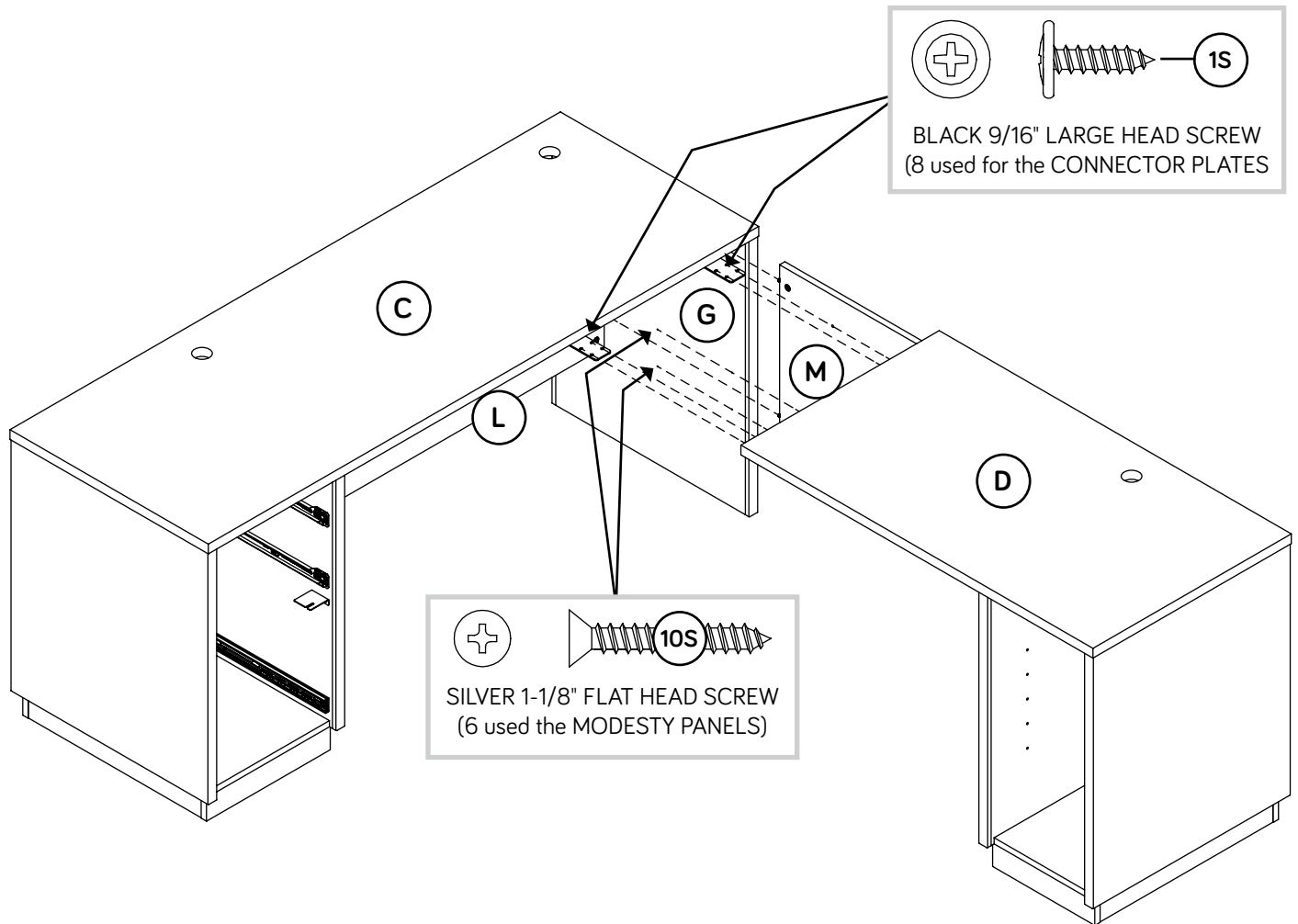
✚ Tighten all SCREWS through the BRACKETS.



Step 30

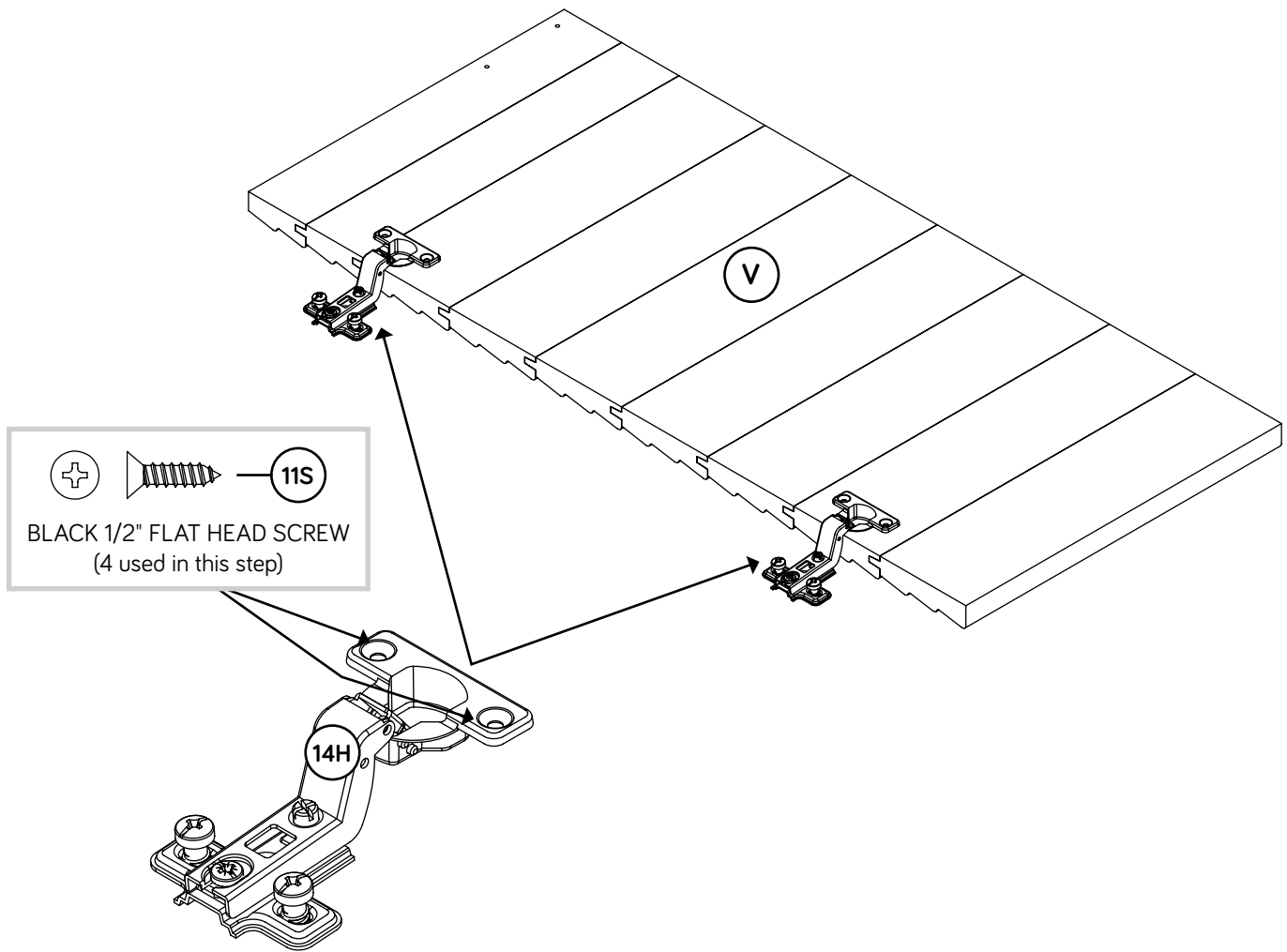
- ✚ You will need help from another person in this step.
- ✚ Carefully stand the two sections of your unit upright.
- ✚ Fasten the SMALL TOP (D) to the CONNECTOR PLATE (14G) on the TOP (C). Use eight BLACK 9/16" LARGE HEAD SCREWS (1S).
- ✚ Fasten the SMALL MODESTY PANEL (M) to the MODESTY PANEL (L). Tighten two HIDDEN CAMS.
- ✚ Fasten the SMALL MODESTY PANEL (M) to the LARGE UPRIGHT (G). Use six SILVER 1-1/8" FLAT HEAD SCREWS (10S).

#! Just breathe.
It's going to be ok.



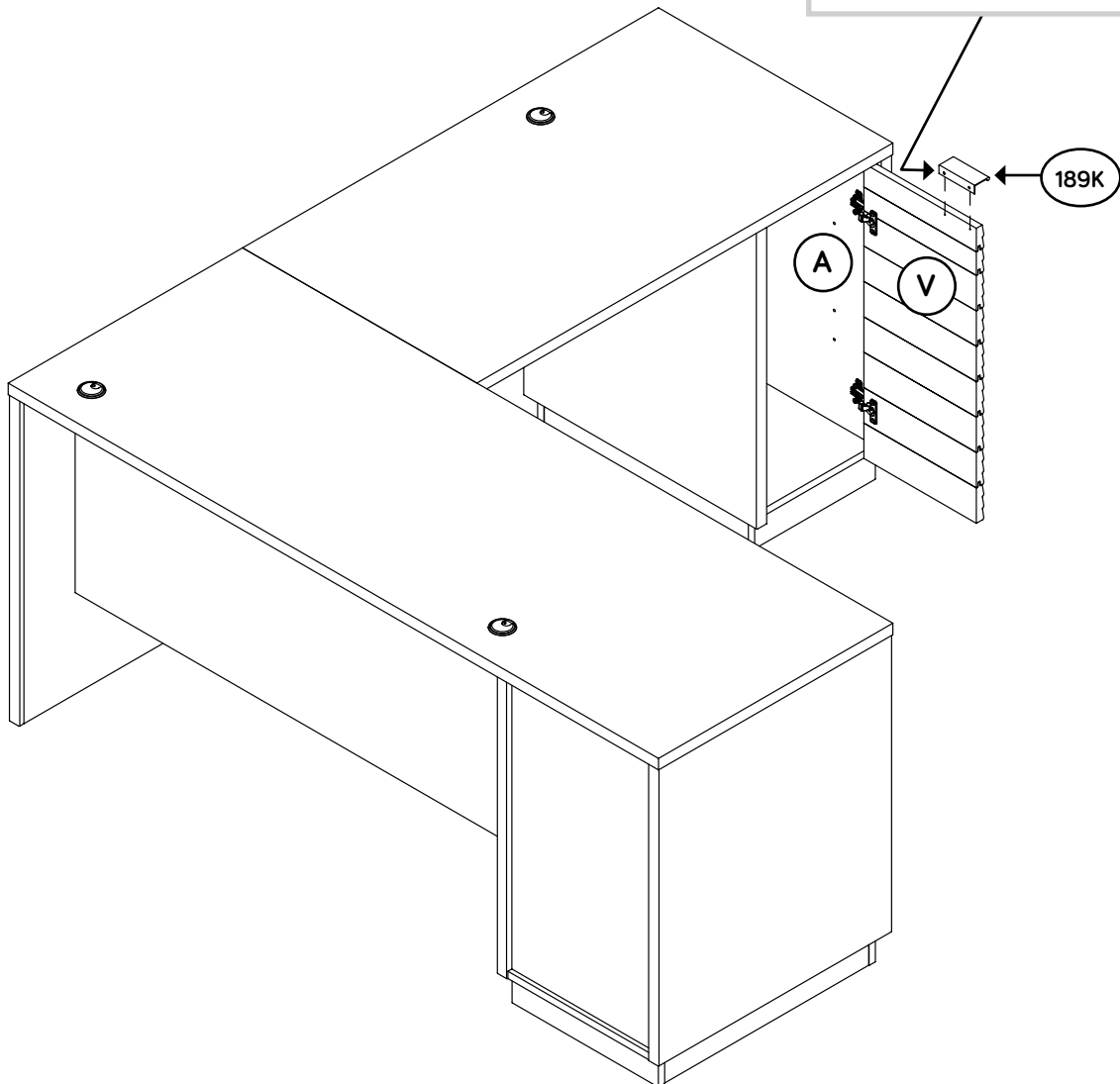
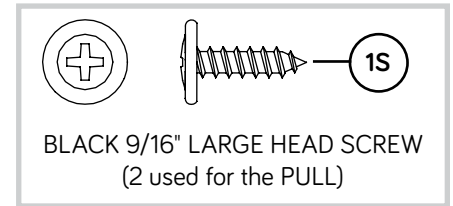
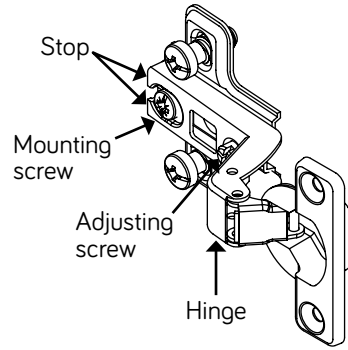
Step 31

- Fasten two HINGES (14H) to the DOOR (V). Use four BLACK 1/2" FLAT HEAD SCREWS (11S).



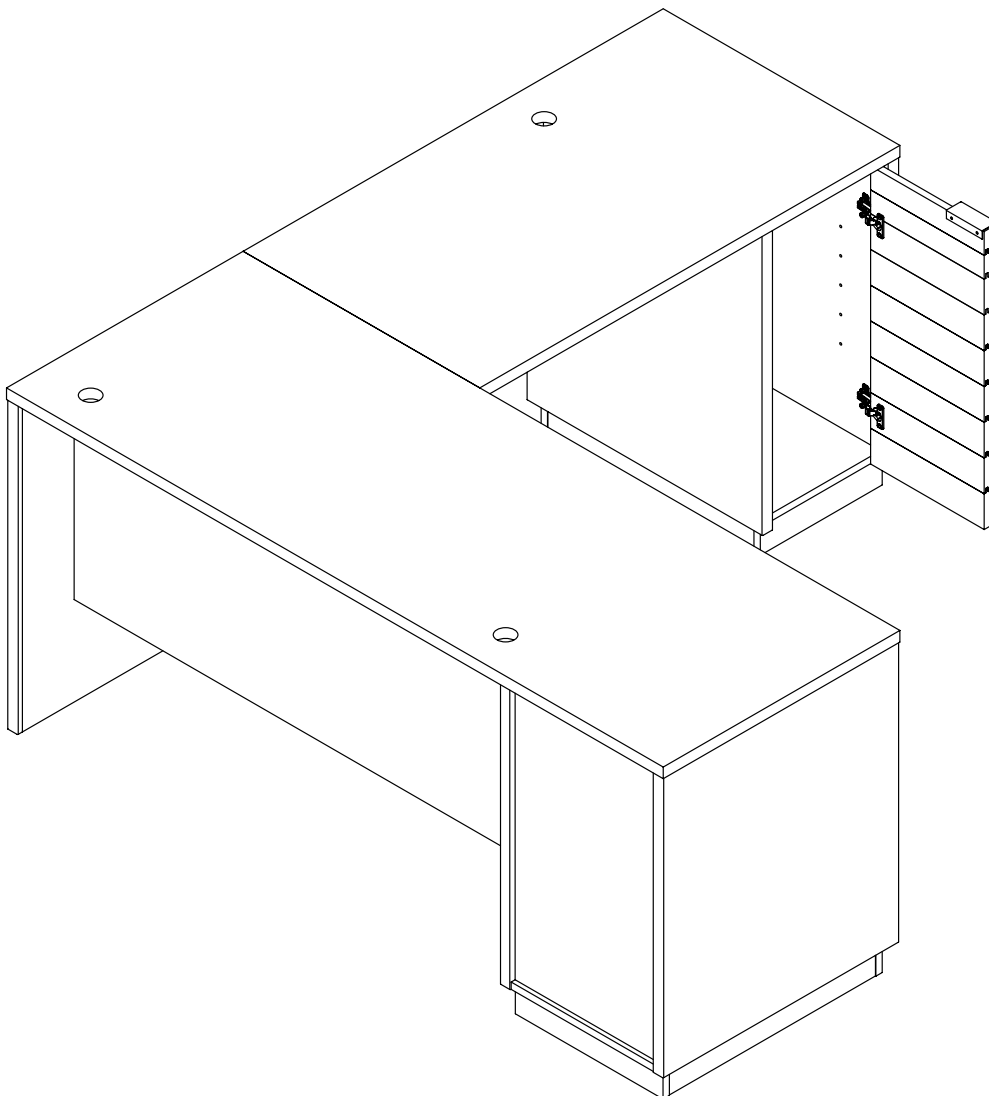
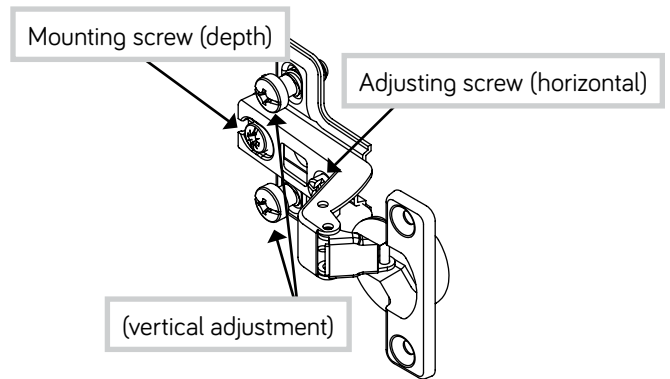
Step 32

- ⚠ Before fastening the DOOR to your unit, be sure the mounting screw is against the stops as shown in the right diagram. If it isn't, loosen the adjusting screw and mounting screw to slide it against the stops. Then tighten the mounting screw.
- ⚠ Fasten the DOOR (V) to the RIGHT END (A) as shown in the lower diagram. Use the screws in the HINGES. You should start each SCREW a few turns before completely tightening any of them.
- ⚠ Fasten a PULL (189K) to the DOOR (V). Use two BLACK 9/16" LARGE HEAD SCREWS (1S).
- ⚠ See the next step for DOOR adjustments.



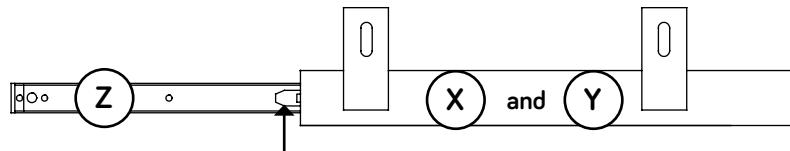
Step 33

- ✚ Refer to the enlarged diagram to identify the parts on the HINGES.
- ✚ The DOORS may need some adjustments. Follow the text below to make needed adjustments.
- ✚ **DOOR ADJUSTMENTS:**
 - To adjust the DOORS from side to side (horizontal), turn the adjusting screw in or out.
 - To adjust the DOORS up and down (vertical), loosen both vertical adjustment screws. Move the DOORS up or down to the desired location. Tighten the screws after making adjustments.
 - To adjust the DOORS in or out (depth), loosen the mounting screw one turn and move the DOORS in or out, as needed. Tighten the mounting screw after making adjustments.

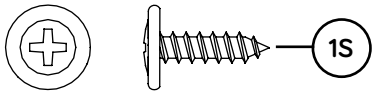


Step 34

- ✦ Separate the KEYBOARD SLIDE (Z) from the KEYBOARD RAILS (X and Y) as shown in the upper view. Be prepared, the parts are greasy.
- ✦ You have the option of fastening your KEYBOARD SHELF to the center, left side, or right side of your L-Desk. Shown below are the 3 options.
- ✦ **Keyboard Centered:** Fasten the KEYBOARD RAILS (X and Y) to the TOPS (C and D). Use four BLACK 9/16" LARGE HEAD SCREWS (1S).
- ✦ **Keyboard Right:** Fasten the KEYBOARD RAILS (X and Y) to the TOPS (C and D). Use four BLACK 9/16" LARGE HEAD SCREWS (1S).
- ✦ **Keyboard Left:** Fasten the KEYBOARD RAILS (X and Y) to the TOP (C). Use four BLACK 9/16" LARGE HEAD SCREWS (1S).

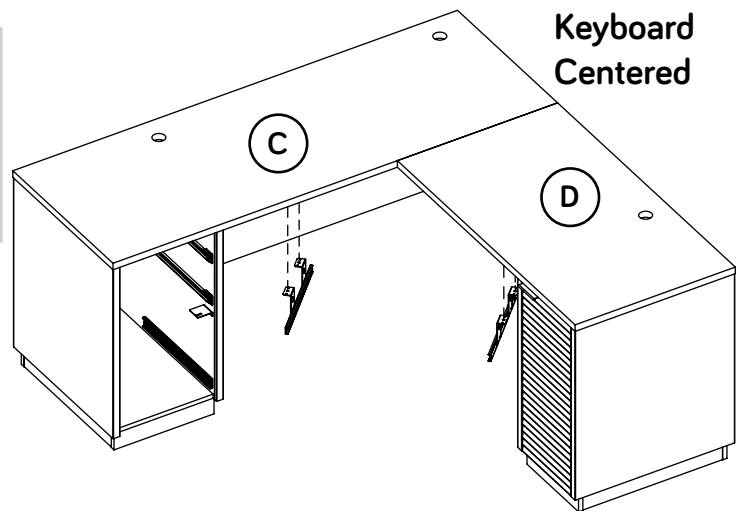
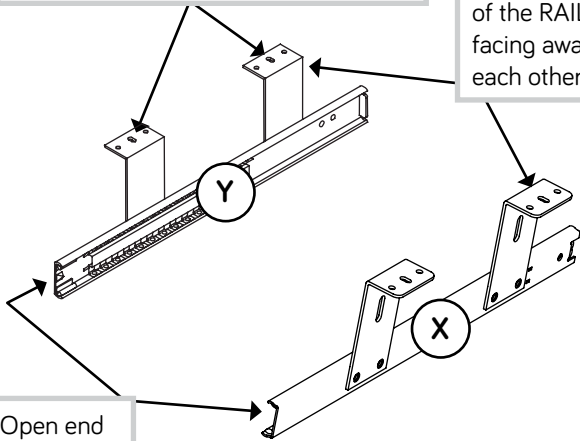


Push the metal release in and pull the SLIDE from the RAIL.

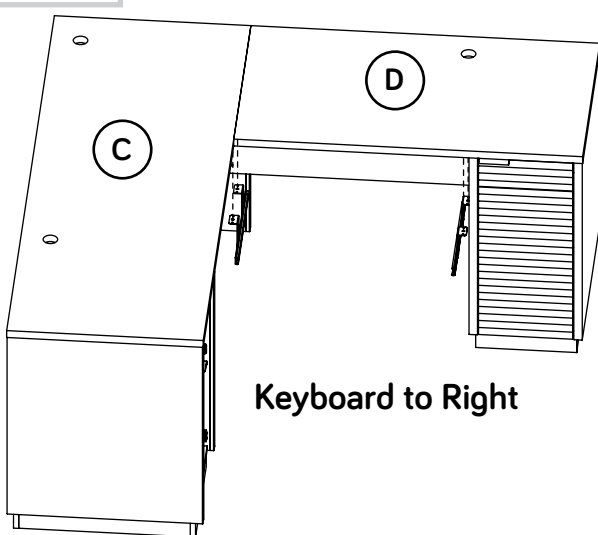


BLACK 9/16" LARGE HEAD SCREW
(4 used for the KEYBOARD RAILS)

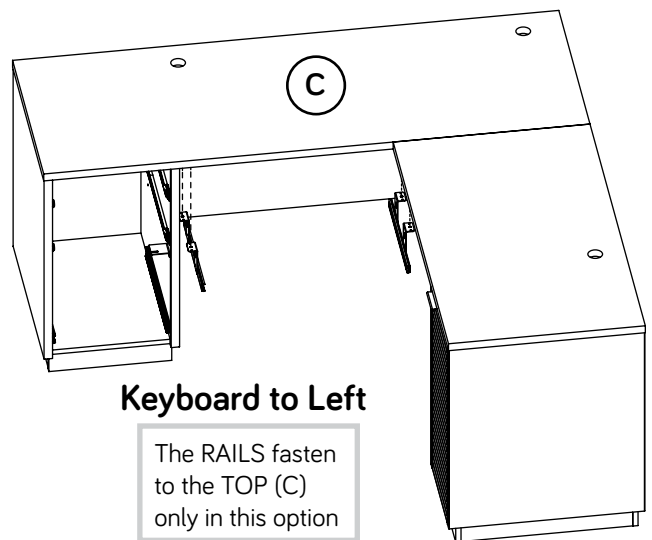
When fastening to the TOPS, be sure the flanges of the RAILS are facing away from each other..



Keyboard Centered



Keyboard to Right

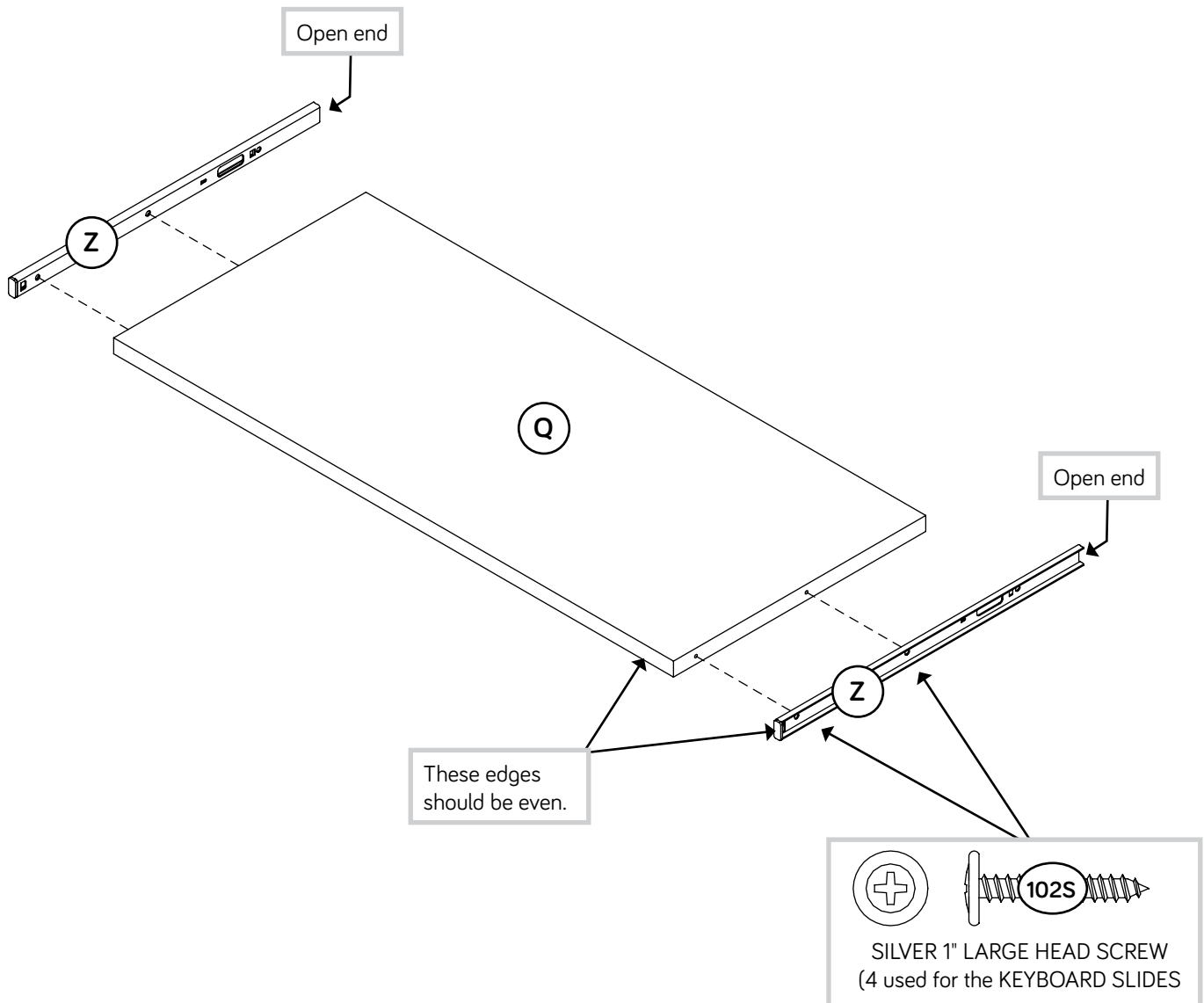


Keyboard to Left

The RAILS fasten to the TOP (C) only in this option

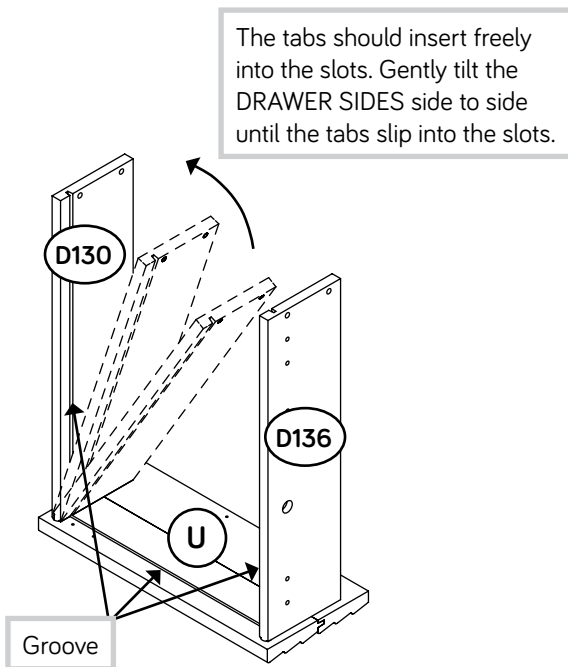
Step 35

- Fasten the KEYBOARD SLIDES (Z) to the KEYBOARD SHELF (Q).
Use four SILVER 1" LARGE HEAD SCREWS (102S).



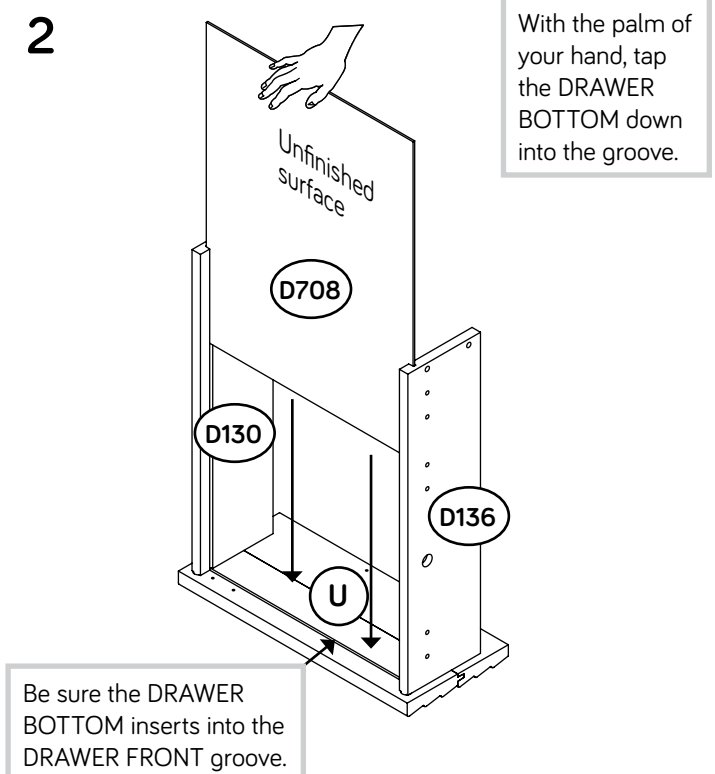
Step 36

1



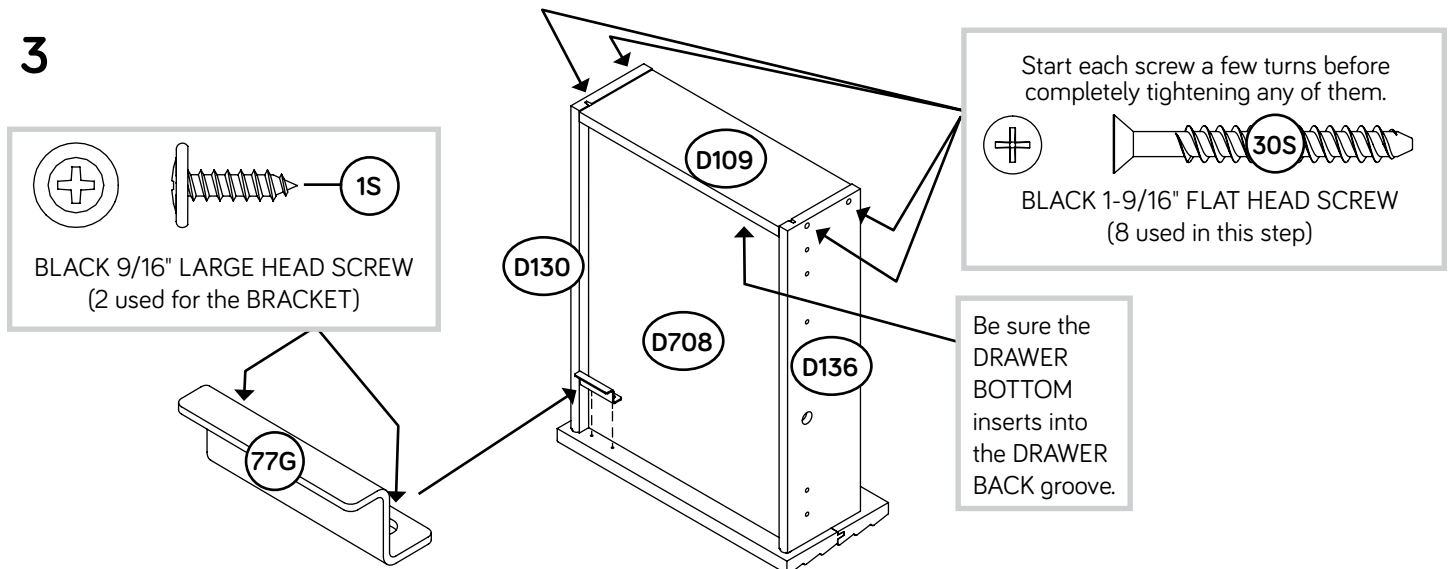
- Insert the SMALL DRAWER SIDES (D130 and D136) at an angle into the slot at each end of the DRAWER FRONT (U).

2



- Slide the DRAWER BOTTOM (D708) into the grooves in the SMALL DRAWER SIDES (D130 and D136) and DRAWER FRONT (U).

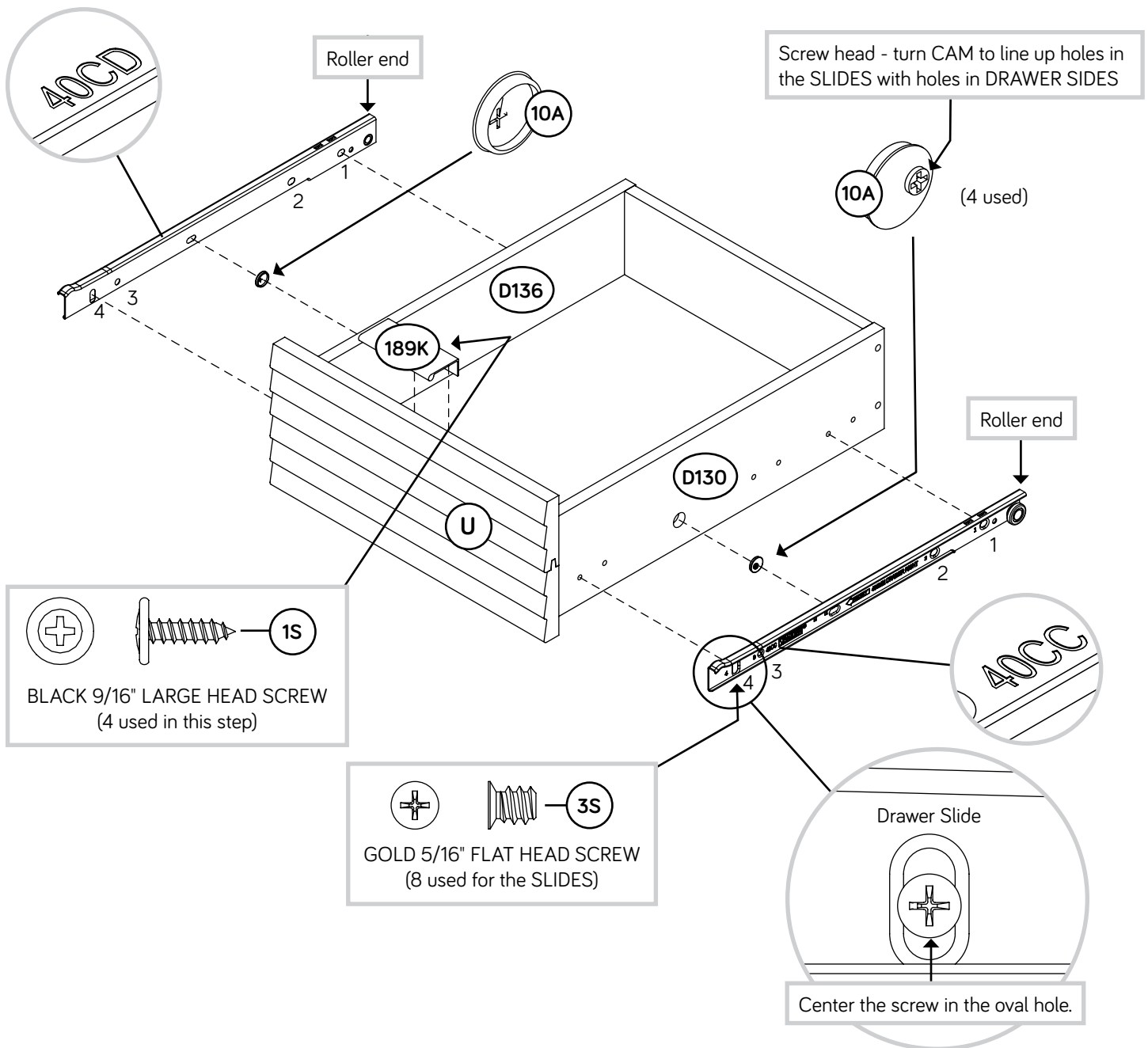
3



- Fasten the DRAWER BACK (D109) to the SMALL DRAWER SIDES (D130 and D136). Use four BLACK 1-9/16" FLAT HEAD SCREWS (30S).
- NOTE:** Be sure the DRAWER BOTTOM (D708) inserts into the groove of the DRAWER BACK (D109).
- Fasten the Z-LOCK BRACKET (77G) to one of the SMALL DRAWER FRONTS (U) exactly as shown. Use two BLACK 9/16" LARGE HEAD SCREWS (1S).
- Repeat this step for the other small drawer without the Z-LOCK BRACKET (77G).

Step 37

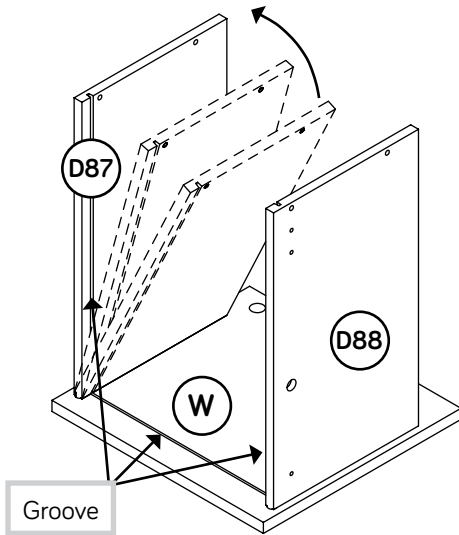
- ✚ Insert a SLIDE CAM (10A) into the DRAWER SIDES (D136 and D130).
- ✚ Fasten the DRAWER RIGHT (40CC) to the SMALL RIGHT DRAWER SIDE (D130) and the DRAWER LEFT (40CD) to the SMALL LEFT DRAWER SIDE (D136). Use four GOLD 5/16" FLAT HEAD SCREWS (3S) through holes #1 and #4.
- ✚ **NOTE:** The screw head in the CAM must be visible through the slotted hole in the SLIDE.
- ✚ Fasten a PULL (189K) to the DRAWER FRONT (U). Use two BLACK 9/16" LARGE HEAD SCREWS (1S).
- ✚ Repeat this step for the other small drawer.



Step 38

1

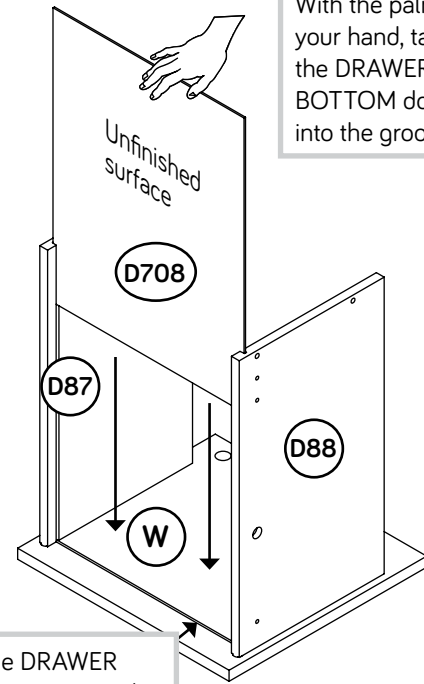
The tabs should insert freely into the slots. Gently tilt the DRAWER SIDES side to side until the tabs slip into the slots.



✚ Insert the LARGE DRAWER SIDES (D88 and D87) at an angle into the slot at each end of the LOCKING DRAWER FRONT (W).

2

With the palm of your hand, tap the DRAWER BOTTOM down into the groove.

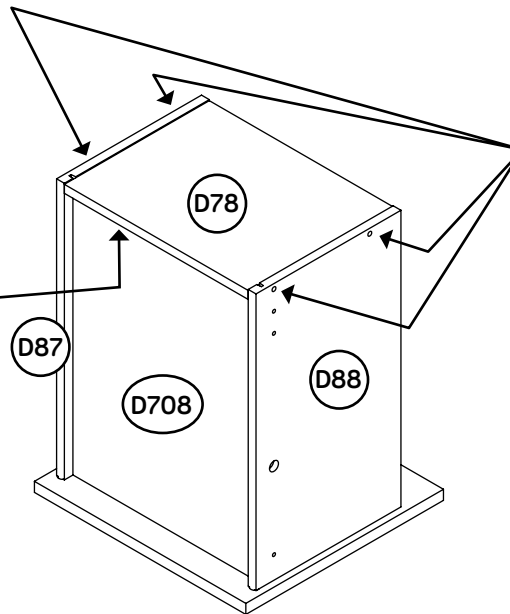


Be sure the DRAWER BOTTOM inserts into the DRAWER FRONT groove.

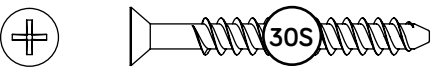
✚ Slide the DRAWER BOTTOM (D708) into the grooves in the LARGE DRAWER SIDES (D87 and D88) and LOCKING DRAWER FRONT (W).

3

Be sure the DRAWER BOTTOM inserts into the DRAWER BACK groove.



Start each screw a few turns before completely tightening any of them.



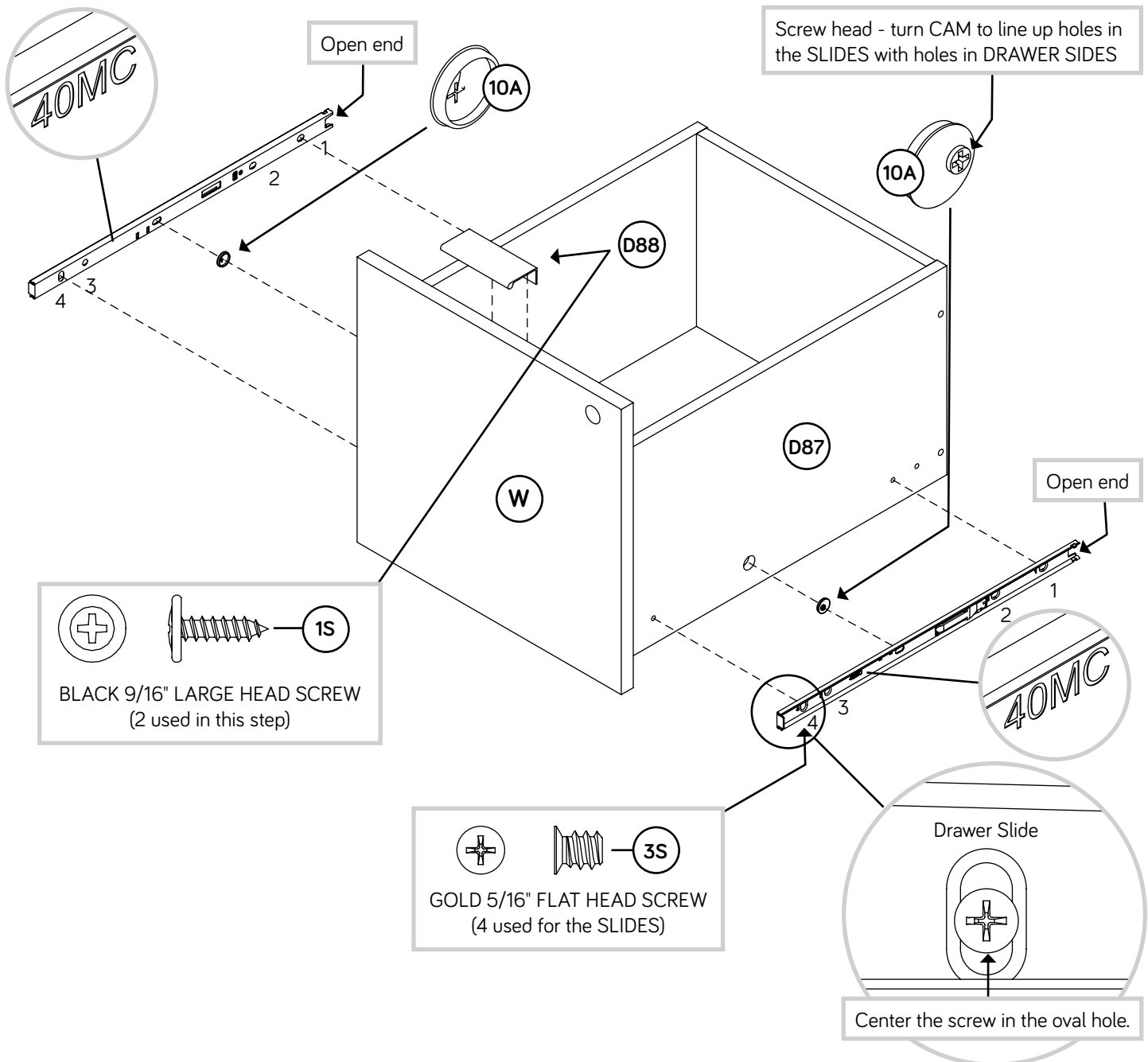
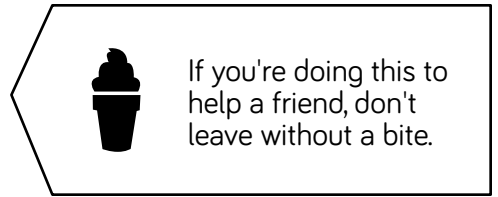
BLACK 1-9/16" FLAT HEAD SCREW
(4 used in this step)

✚ Fasten the LARGE DRAWER BACK (D78) to the DRAWER SIDES (D87 and D88). Use four BLACK 1-9/16" FLAT HEAD SCREWS (30S).

✚ NOTE: Be sure the DRAWER BOTTOM (D708) inserts into the groove of the DRAWER BACK (D78).

Step 39

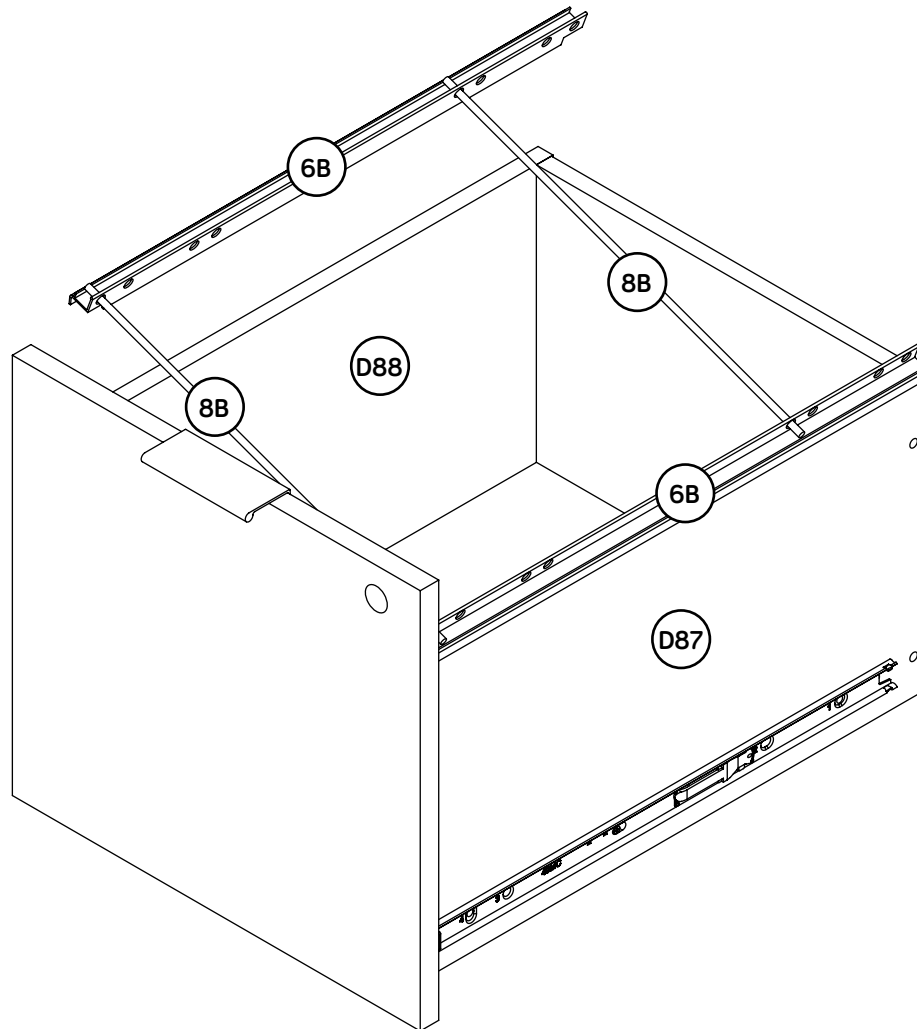
- ✚ Insert a SLIDE CAM (10A) into the LARGE DRAWER SIDES (D87 and D88).
- ✚ Fasten the EXTENSION SLIDES (40MC) to the LARGE DRAWER SIDES (D87 and D88). Use four GOLD 5/16" FLAT HEAD SCREWS (3S) through holes #1 and #4.
- ✚ **NOTE:** The screw head in the CAM must be visible through the slotted hole in the SLIDE.



Step 40

- ✚ Push a FILE GLIDE (6B) onto the LARGE RIGHT DRAWER SIDE (D87).
- ✚ Slide the FILE RODS (8B) into the FILE GLIDE (6B) on the LARGE RIGHT DRAWER SIDE (D87).
- ✚ Slide another FILE GLIDE (6B) onto the other end of the FILE RODS (8B), then press this FILE GLIDE over the LARGE LEFT DRAWER SIDE (D88).

Insert the FILE RODS into the holes of your choice in the FILE GLIDES, depending on your file sizes.

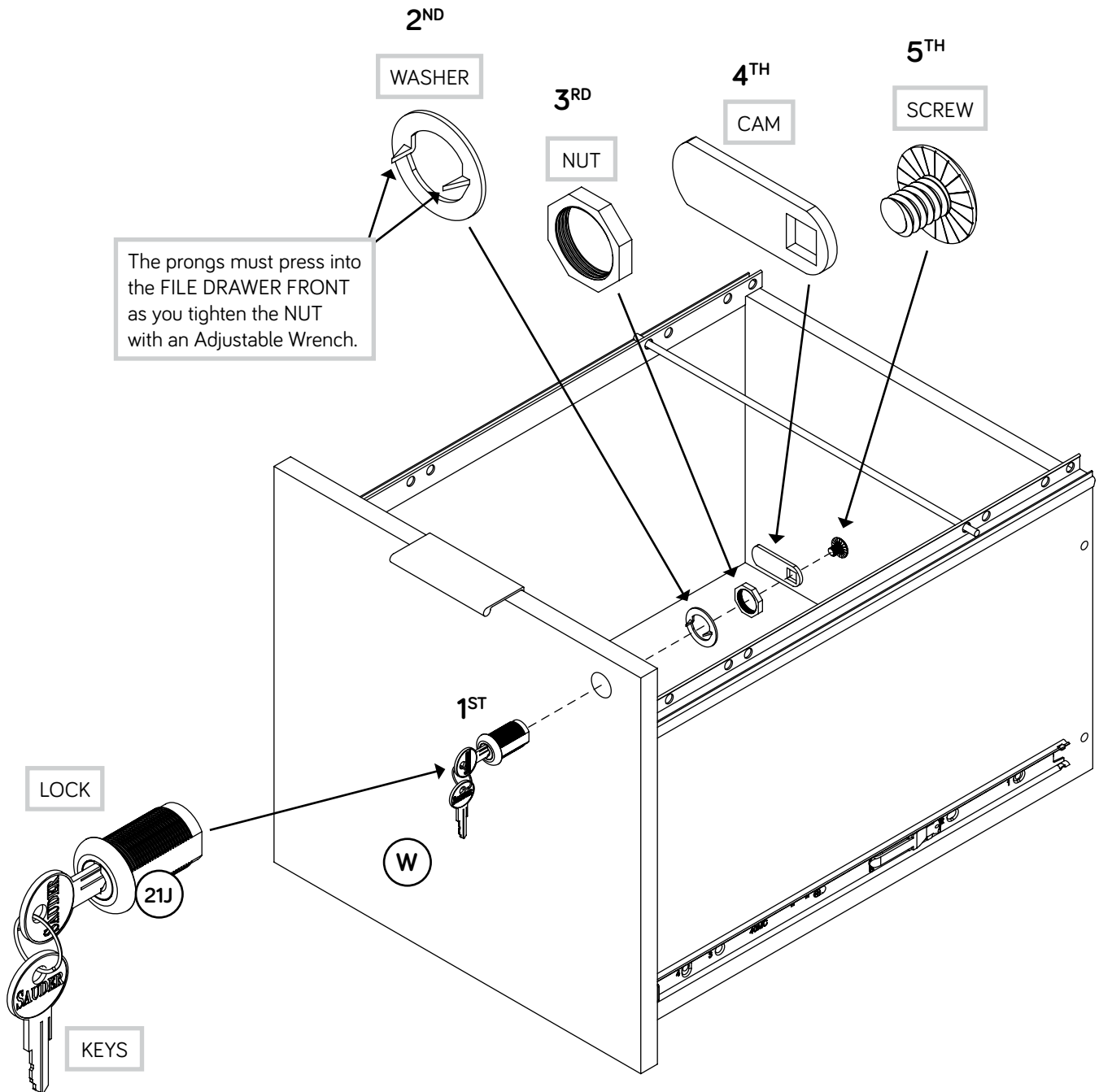


Step 41

✚ Fasten the LOCK PACK (21J) to the LOCKING DRAWER FRONT (W) in the exact order shown.

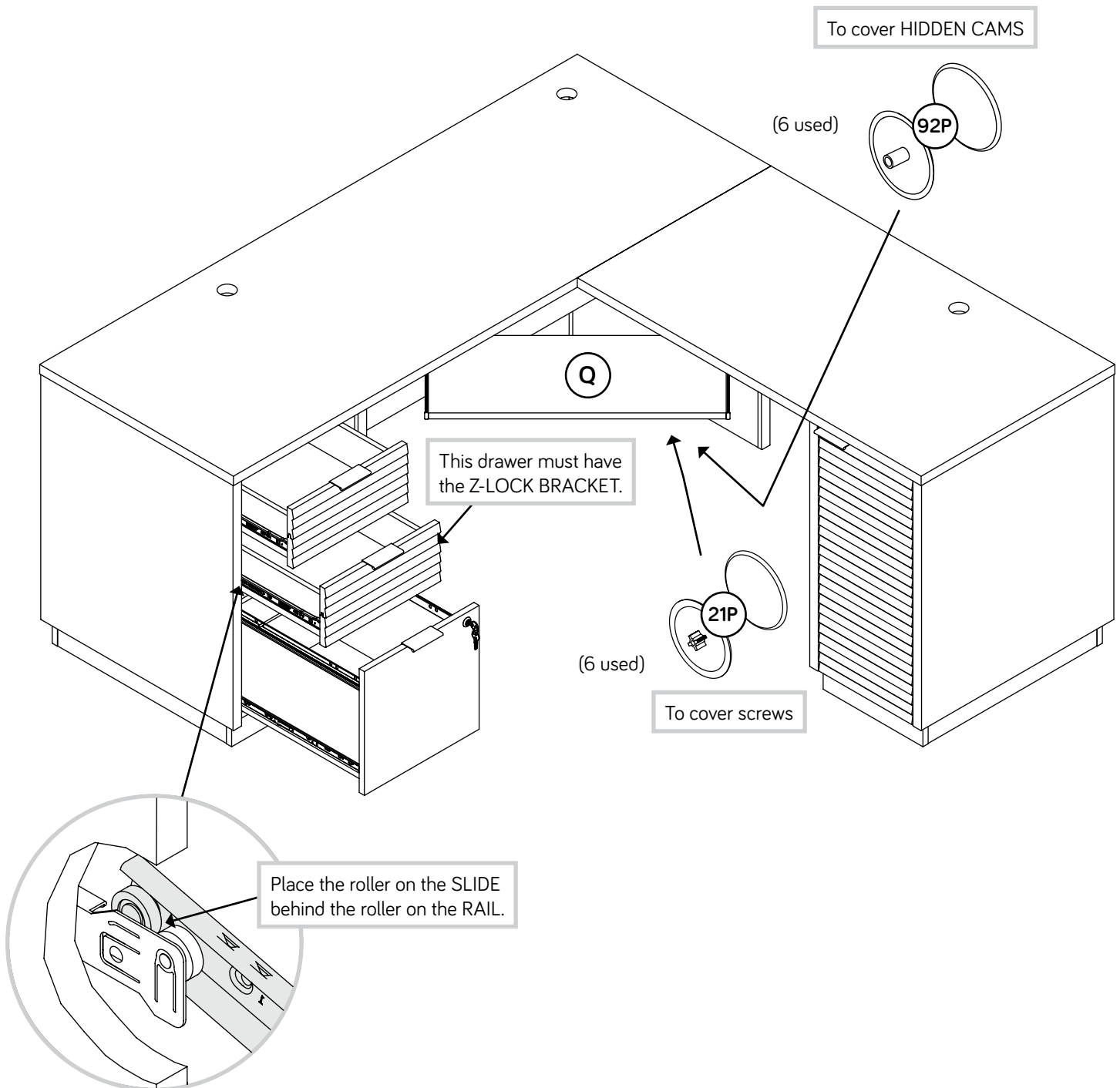
✚ NOTE: It is important to position the CAM exactly as shown.

✚ NOTE: Turn the KEY clockwise to lock.



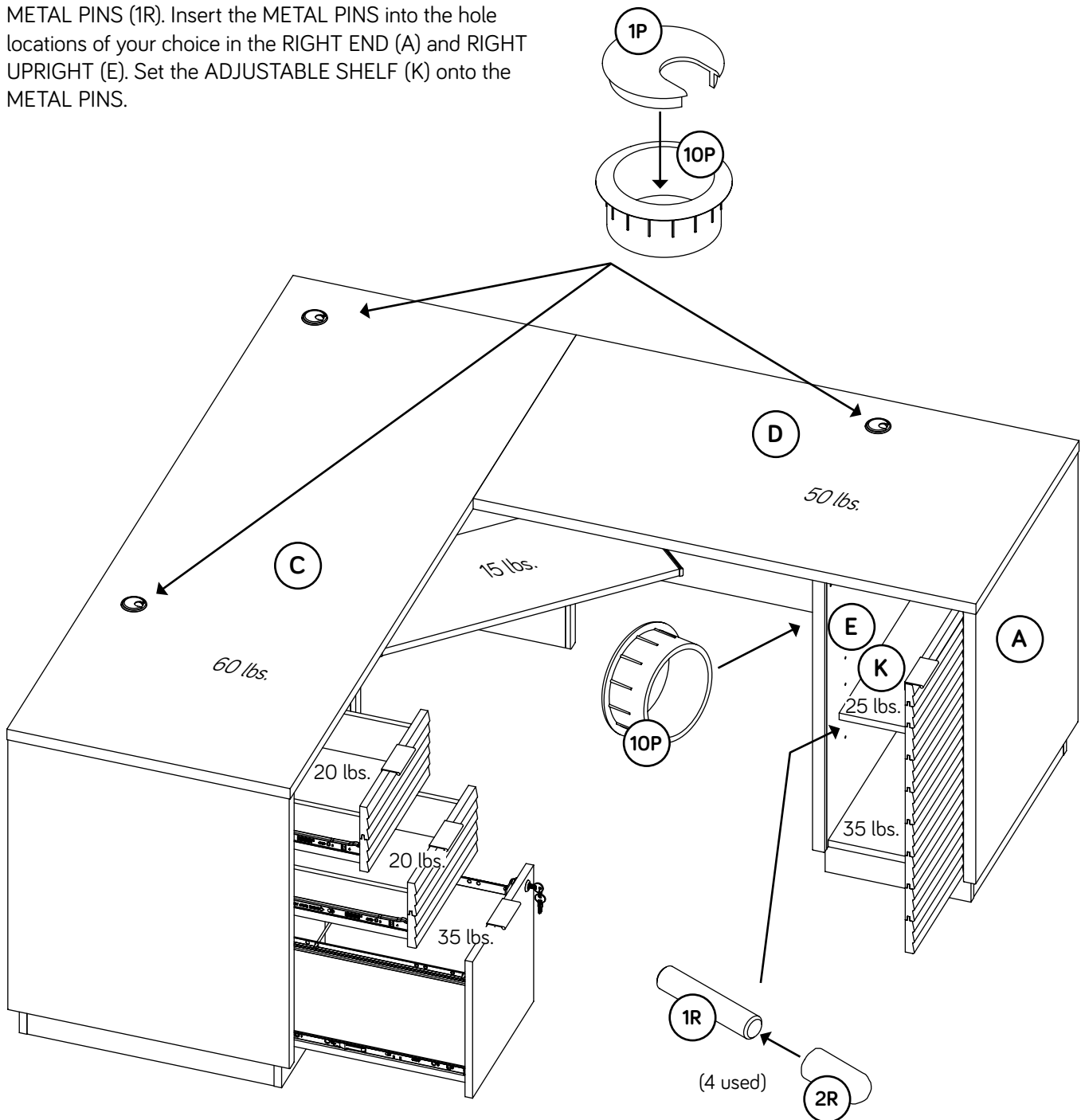
Step 42

- ✚ To insert the small drawers into your unit, tip the front of the drawer down and drop the rollers on the drawers behind the rollers on the unit. Lift the front of the drawers up and slide them into the unit.
- ✚ To insert large drawer into your unit, line up the EXTENSION SLIDES on the drawer with the EXTENSION RAILS on the unit and push the drawer into the unit until the drawer is fully inserted. The drawer will push in hard until it is all the way in, then it will slide in and out easier. Repeat this step to insert the KEYBOARD SHELF (Q).
- ✚ Center a SCREW COVER (21P) over the head of each SCREW and a CAM COVER (92P) onto each visible HIDDEN CAM then gently tap them in with your hammer



Step 43

- ✚ Insert three GROMMETS (10P) and three GROMMET CAPS (1P) into the large holes in the TOP (C and D).
- ✚ Insert a GROMMET (10P) into the large hole in the RIGHT UPRIGHT (E).
- ✚ Push the RUBBER SLEEVES (2R) over one end of the METAL PINS (1R). Insert the METAL PINS into the hole locations of your choice in the RIGHT END (A) and RIGHT UPRIGHT (E). Set the ADJUSTABLE SHELF (K) onto the METAL PINS. Set the ADJUSTABLE SHELF (K) onto the METAL PINS.

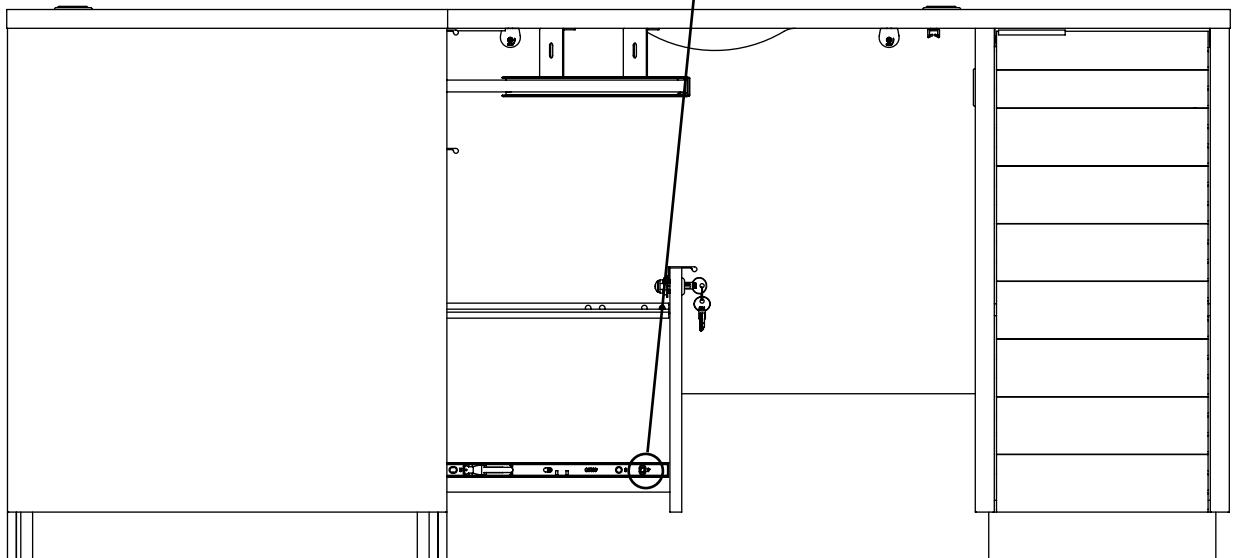
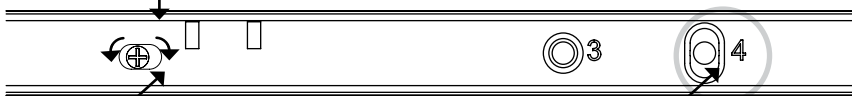


Step 44

- ✦ To make adjustments to the drawer, loosen SCREW #4 in the SLIDES a 1/4 turn, then turn the cam clockwise or counter-clockwise. Notice how the drawer raises or lowers as you turn the cam. By adjusting the drawer this way, it will help the DRAWER FRONT line up better when closed. Tighten the SCREWS when finished with adjustments.
- ✦ Repeat adjustments for the small drawers.

Loosen screw #4 a 1/4 turn, turn the cam a 1/4 turn maximum in both the clockwise and counter-clockwise directions to make adjustments, and then tighten screw #4.

The higher the screw in the oblong hole, the higher your drawer front will be. The lower the screw, the lower the drawer front.



Step 45

- ✚ If you purchased the WIRELESS CHARGER, then complete this step.
- ✚ **IMPORTANT:** The WIRELESS CHARGING SPOT STICKER must be placed directly above the CHARGER.
- ✚ First, measure in from both edges of the TOPS above your CHARGER as shown. Then, make a slight mark where the two measurements intersect. Next, center the STICKER over the mark and stick it to the TOP.
- ✚ **NOTE:** Please read the back pages of the instruction booklet for important safety information.
- ✚ This completes assembly. Clean with a damp cloth. Wipe dry.