

COUNTER HEIGHT WORK BENCH VINTAGE OAK

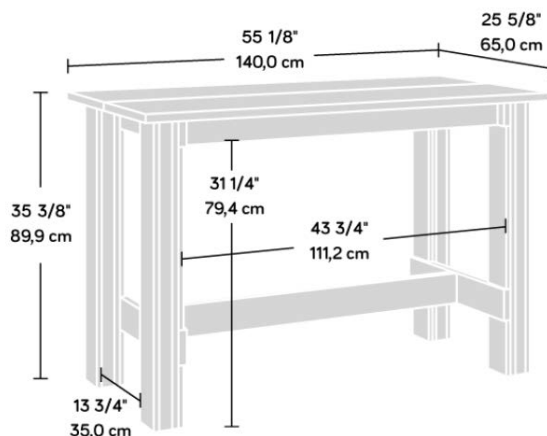
PRODUCT SHEET FURNITURE



- Counter height work bench in Vintage Oak finish
 - Generous working area
 - One inch thick 'split' top
- Split top allows convenient path for cables
 - Multi-purpose design (can accommodate four people)
 - 360° all round finish, (can be freestanding)



Width	140 cm
Depth	65 cm
Height	89.9 cm
Carton Height	18.1 cm
Carton Width	159.1 cm
Carton Depth	36.2 cm
Box Volume	0.104 cbm
Weight (gross)	41 kg



N.B: All measurements are approximate