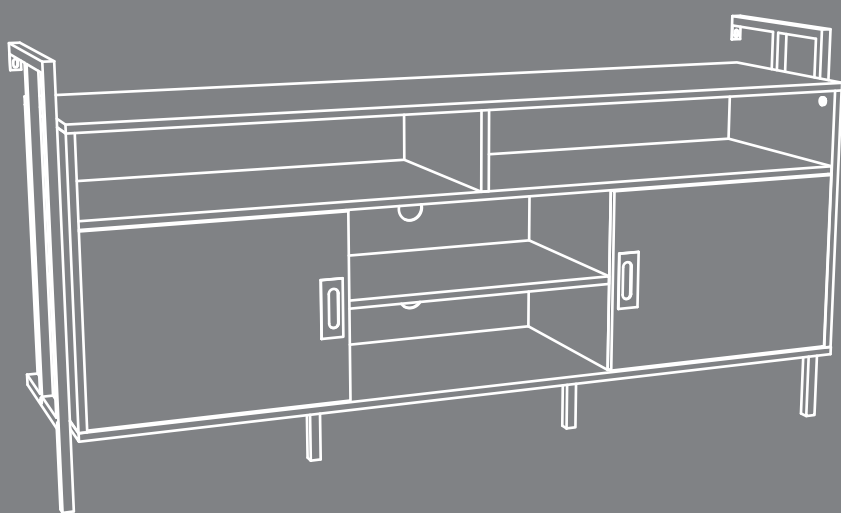


[www.teknikoffice.co.uk](http://www.teknikoffice.co.uk)

# Teknik



Your **holder** for all  
**things** awesome.

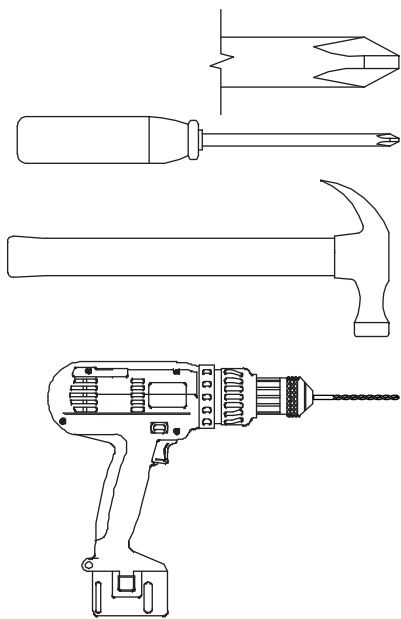
## Hythe Wall Mounted TV Stand/Credenza

Model 5426437

# Table of Contents

# Assembly Tools Required

Part Identification	3
Hardware Identification	4
Assembly Steps	5-20



No. 2 Phillips Screwdriver  
Tip Shown Actual Size

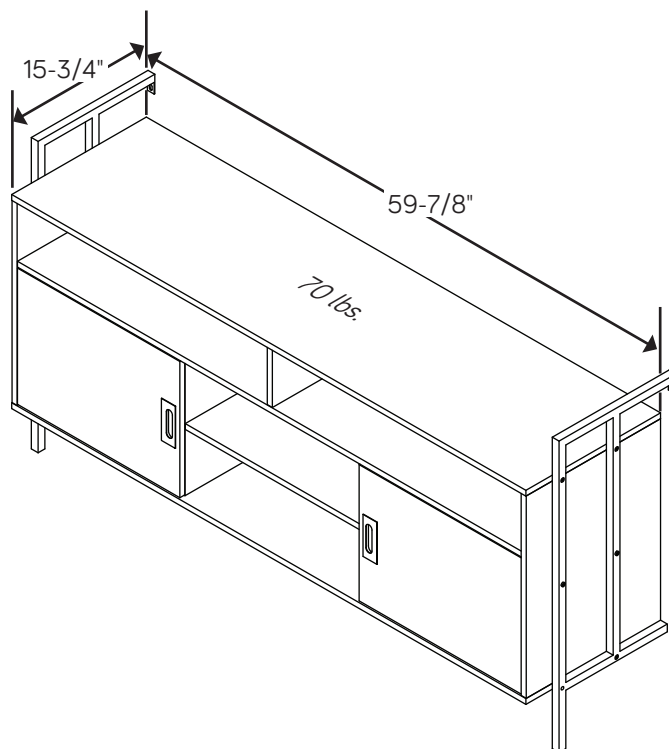
Hammer  
Not actual size 😊

Electric drill with 5/16" bit  
(ONLY in indicated step)

## ⚠️ WARNING

Use of a TV that is too heavy or large is hazardous. A TV that is too heavy will create a risk of a tip-over that can cause severe injury or death. A TV that is too large for the available space might be accidentally pushed or bumped off the furniture, or subject to tip-over.

- Check the size and weight of your TV. Compare it to the diagram below – **before you begin assembly!**
- This Sauder unit is designed for use with flat panel televisions weighing less than 70 pounds. **Never** use with a TV that weighs more.
- The size of the television, front-to-back and side-to-side, must fit within the space defined in the diagram.
  - **Never** place the front edge of the TV past the front edge of the TV support shelf (or stop molding – if equipped)
  - **Never** allow the sides of the TV to extend past the side edges of the TV support surface.
- Be sure to apply the warning label as instructed later in the assembly. The label provides important safety related information.



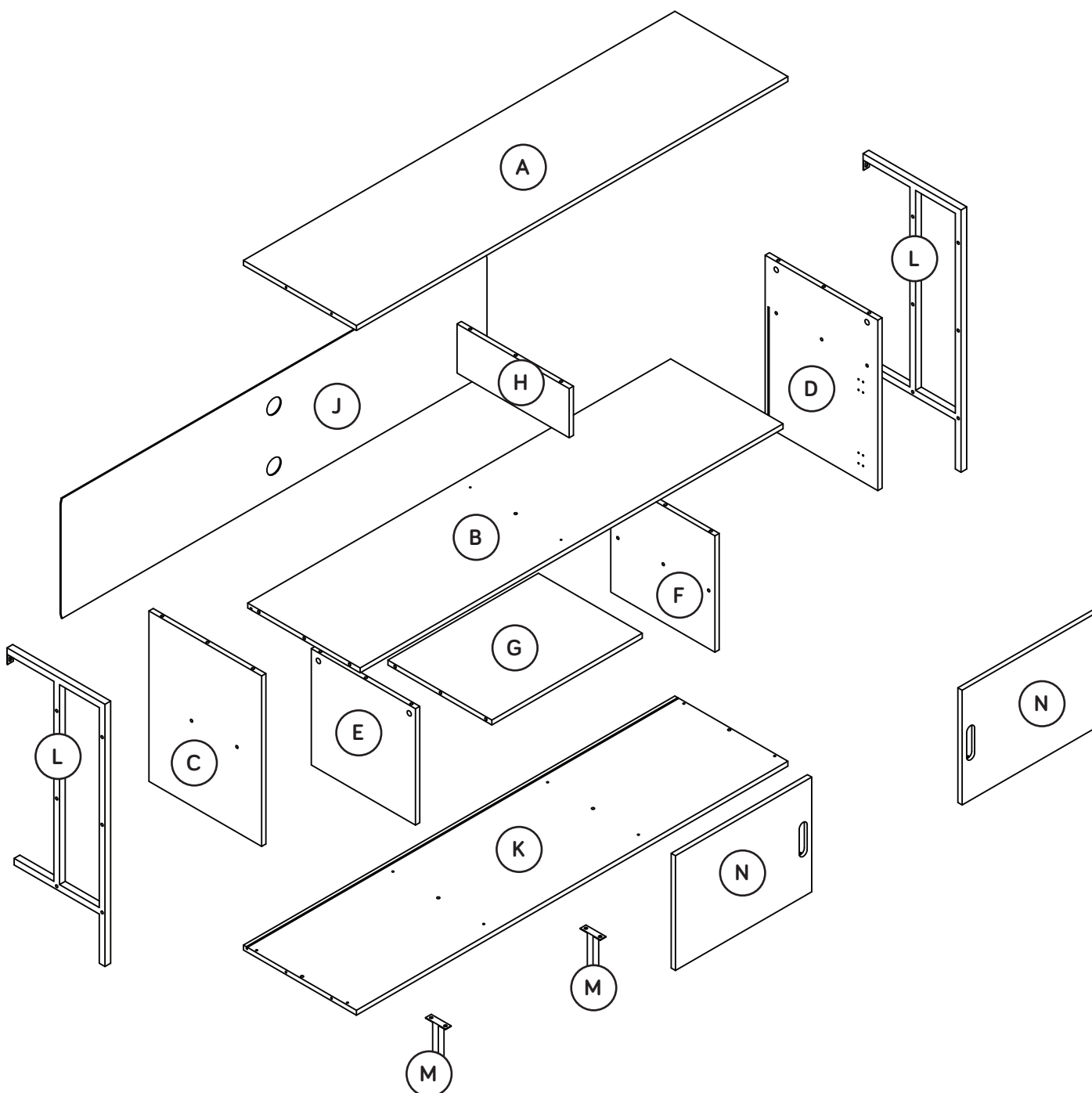
# Part Identification

Now you know  
our ABCs.



⚠ While not all parts are labeled, some of the parts will have a label or an inked letter on the edge to help distinguish similar parts from each other. Use this part identification to help identify similar parts.

A	TOP (1)	F	RIGHT UPRIGHT (1)	L	FRAME (2)
B	LARGE SHELF (1)	G	SMALL SHELF (1)	M	FOOT (2)
C	LEFT END (1)	H	SMALL UPRIGHT (1)	N	DOOR (2)
D	RIGHT END (1)	J	BACK (1)		
E	LEFT UPRIGHT (1)	K	BOTTOM (1)		



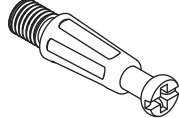
# Hardware Identification

† Screws are shown actual size. You may receive extra hardware with your unit.

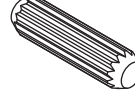
1 HIDDEN CAM - 16



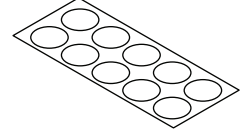
2 CAM SCREW - 16



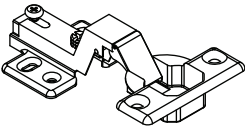
3 WOOD DOWEL - 16



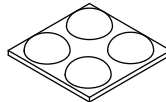
4 APPLIQUE CARD - 1



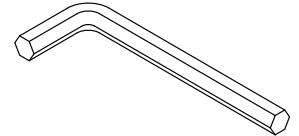
5 HINGE - 4



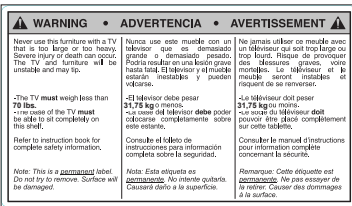
6 BUMPER CARD - 1



7 L-WRENCH - 1

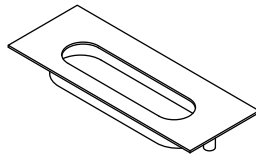


8 WARNING LABEL - 1

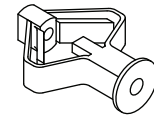


(Refer to the last step for proper location and application)

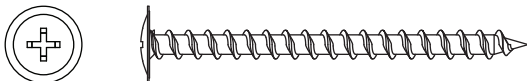
9 PULL - 2



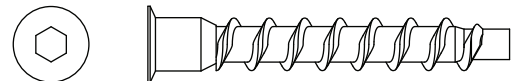
10 WALL ANCHOR - 2



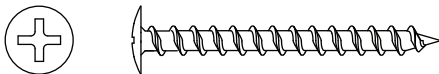
11 2" PAN HEAD SCREW - 2



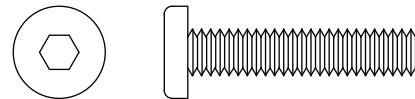
12 1-7/8" HEX HEAD SCREW - 8



13 1-9/16" PAN HEAD SCREW - 10



14 1-3/16" HEX HEAD SCREW - 4



15 1/2" FLAT HEAD SCREW - 24



16 1/2" HEX HEAD SCREW - 4



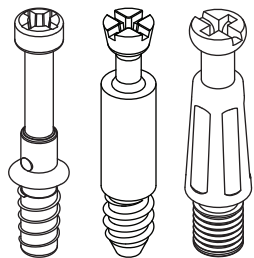
17 3/8" MACHINE SCREW - 4



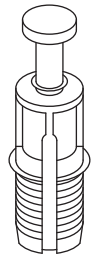
# Hardware Usage Guide

## HOW TO USE A HIDDEN CAM & CAM SCREW OR CAM DOWEL

1. NOTE: Various CAM SCREWS or a CAM DOWEL may be used.

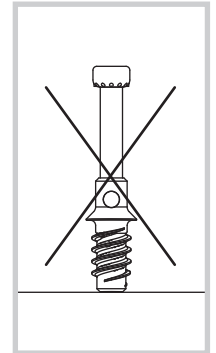
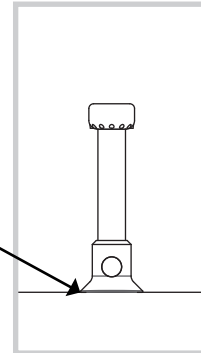


Cam Screws

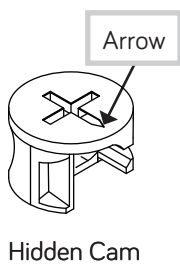


Cam Dowel

Turn the CAM SCREW or gently tap the CAM DOWEL until the shoulder is against the surface of the part.

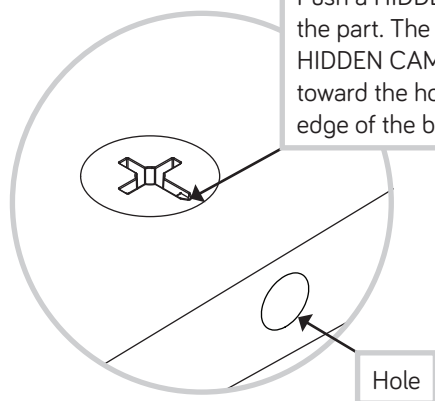


2.



Arrow

Hidden Cam

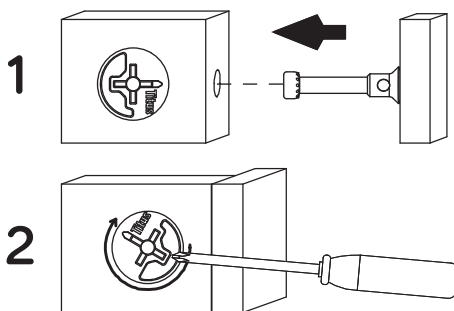


Push a HIDDEN CAM into the part. The arrow in the HIDDEN CAM must point toward the hole in the edge of the board.

Hole

3.

Insert the CAM SCREW or CAM DOWEL into the HIDDEN CAM. Tighten the HIDDEN CAM.

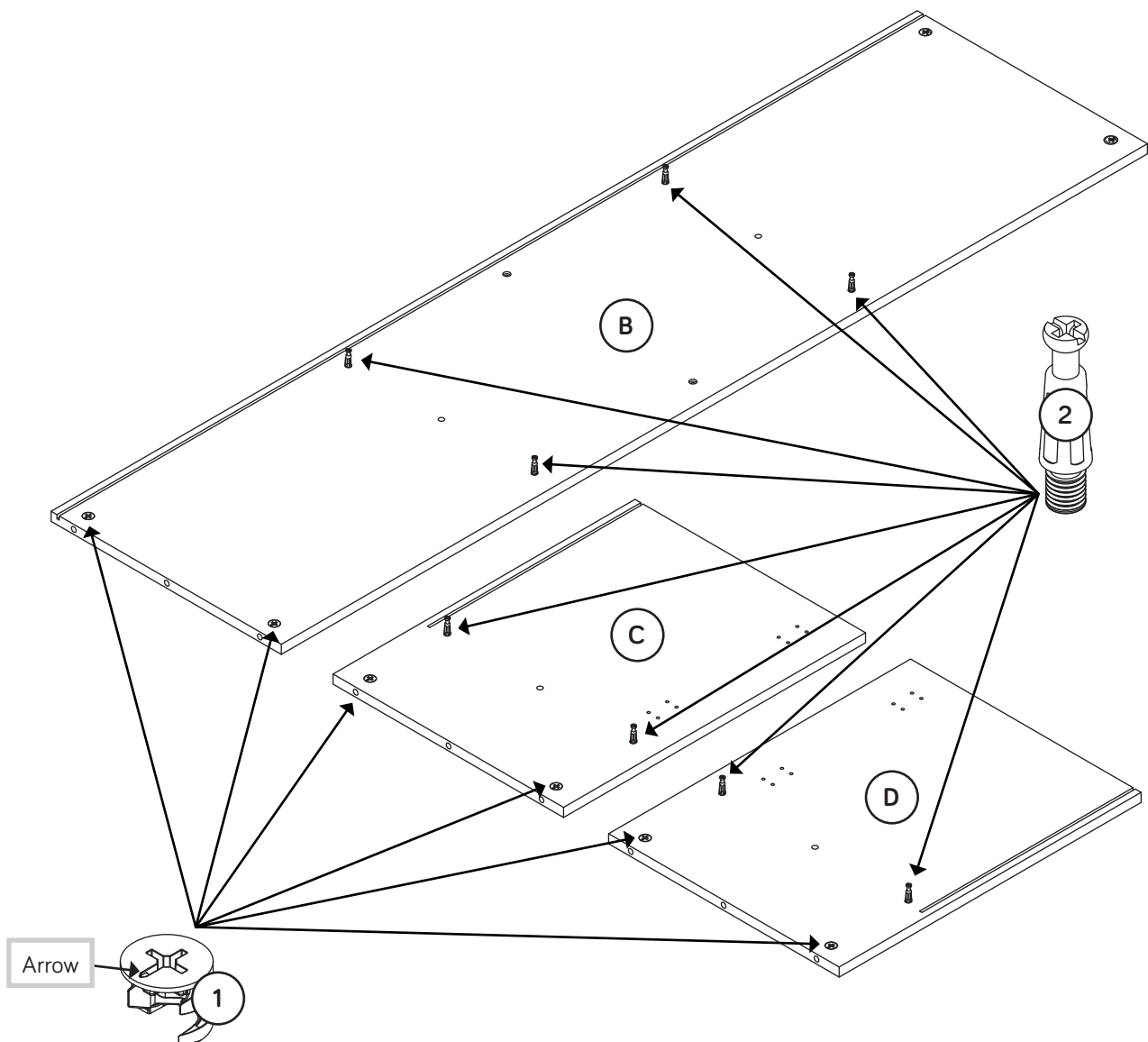


1

2

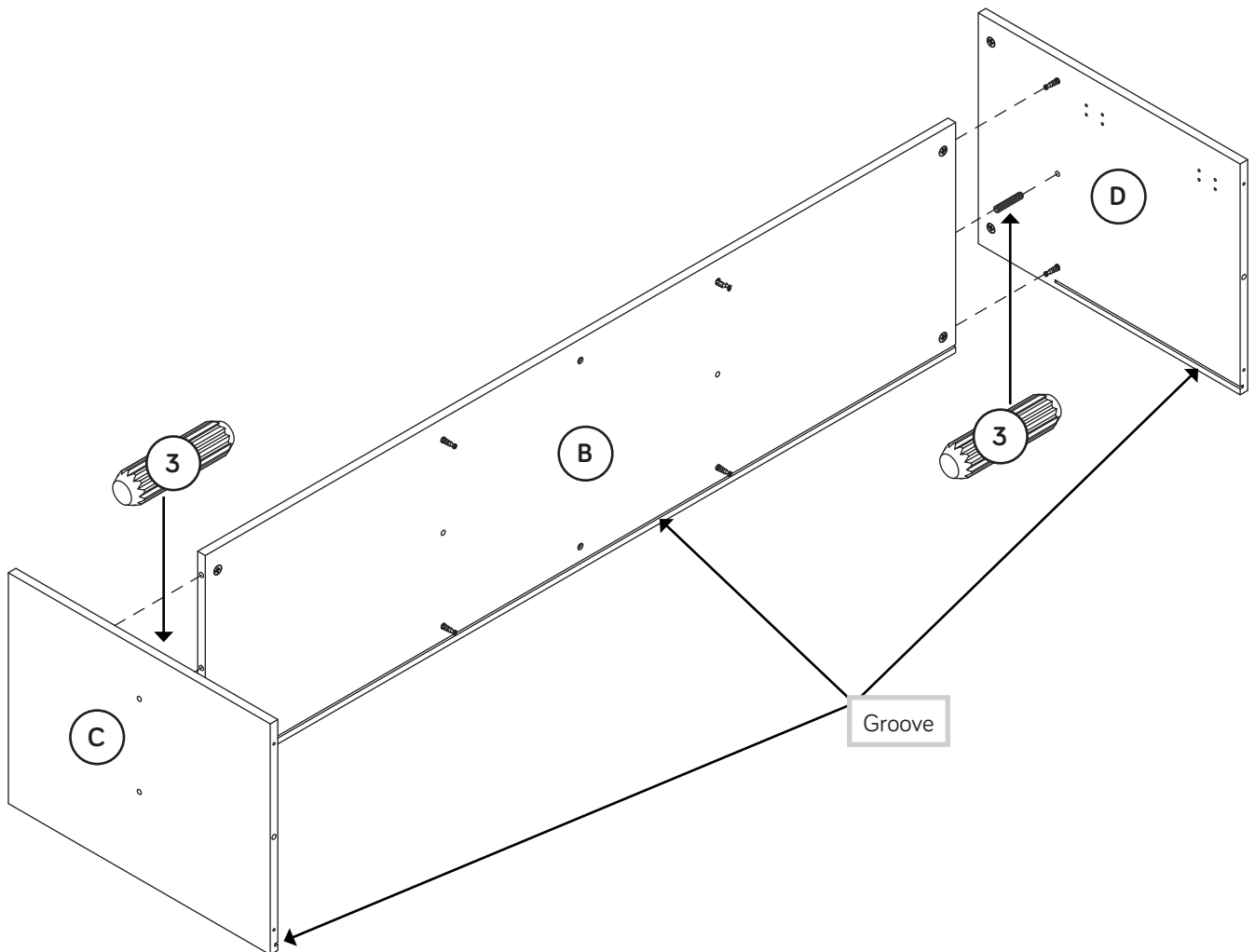
# Step 1

- ✚ Assemble your unit on a carpeted floor or on the empty carton to avoid scratching your unit or the floor.
- ✚ Push six HIDDEN CAMS (1) into the LARGE SHELF (B) and ENDS (C and D).
- ✚ Turn eight CAM SCREWS (2) into the LARGE SHELF (B) and ENDS (C and D).



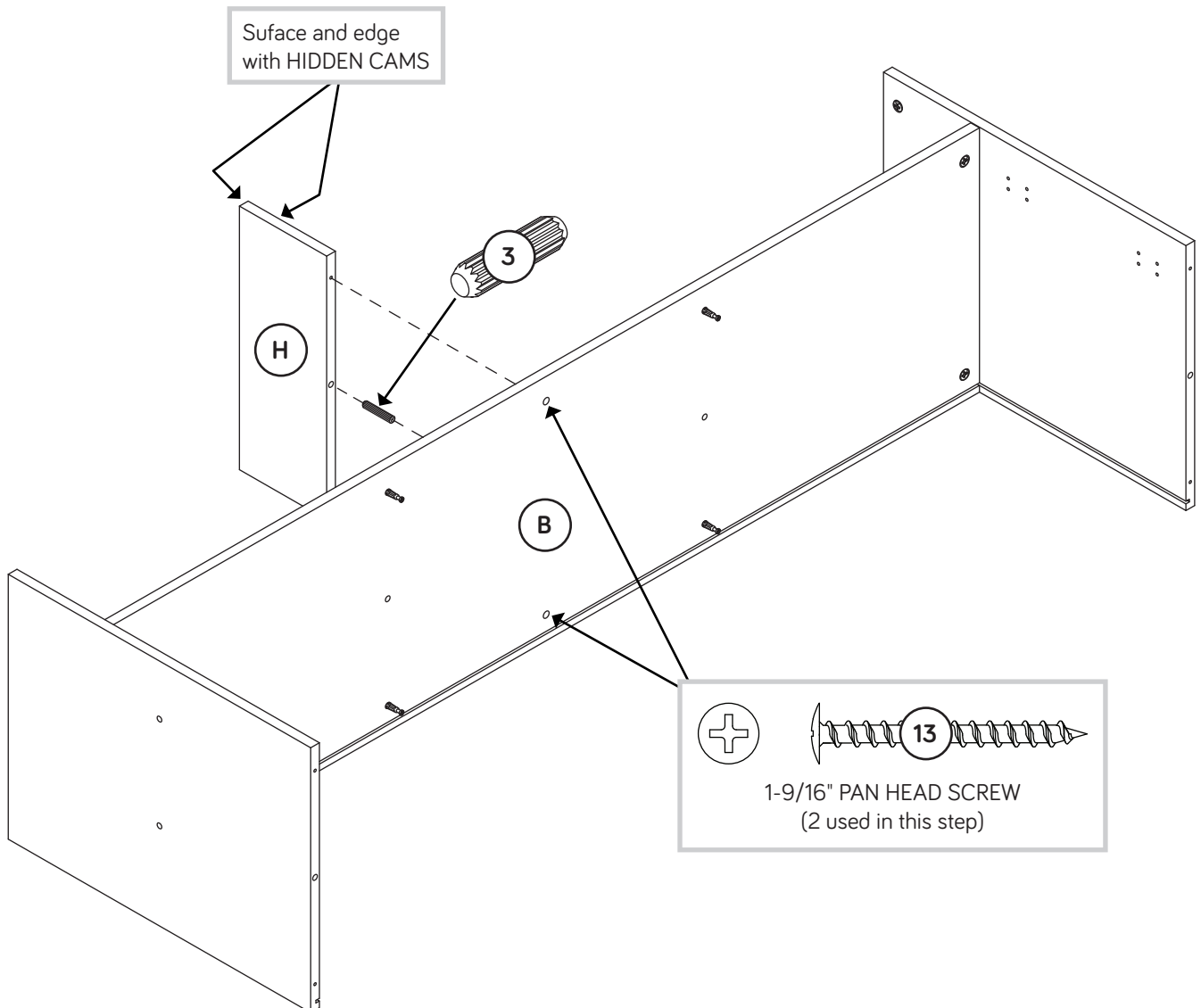
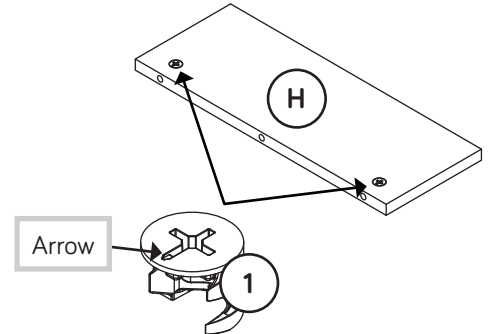
# Step 2

- ✚ Insert two WOOD DOWELS (3) into the ENDS (C and D).
- ✚ Fasten the ENDS (C and D) to the LARGE SHELF (B).  
Tighten four HIDDEN CAMS.
- ✚ NOTE: Be sure the WOOD DOWELS in the ENDS insert into the LARGE SHELF.



# Step 3

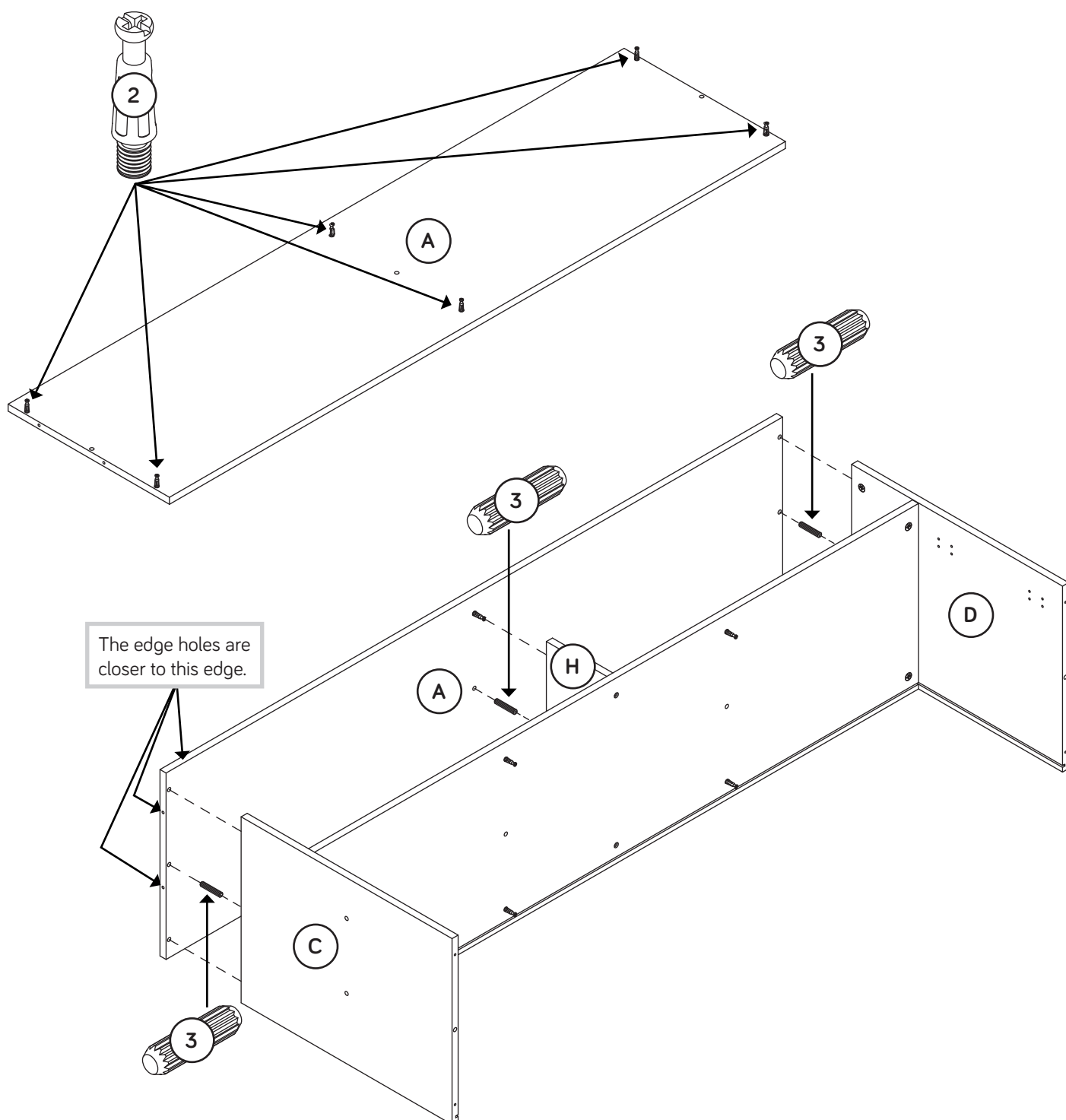
- ✚ Push two HIDDEN CAMS (1) into the SMALL UPRIGHT (H).
- ✚ Insert one WOOD DOWEL (3) into the SMALL UPRIGHT (H).
- ✚ Fasten the SMALL UPRIGHT (H) to the LARGE SHELF (B).  
Use two 1-9/16" PAN HEAD SCREWS (13).
- ✚ **NOTE:** You should start each SCREW a few turns before completely tightening any of them.
- ✚ **NOTE:** Be sure the WOOD DOWEL in the SMALL UPRIGHT inserts into the LARGE SHELF.





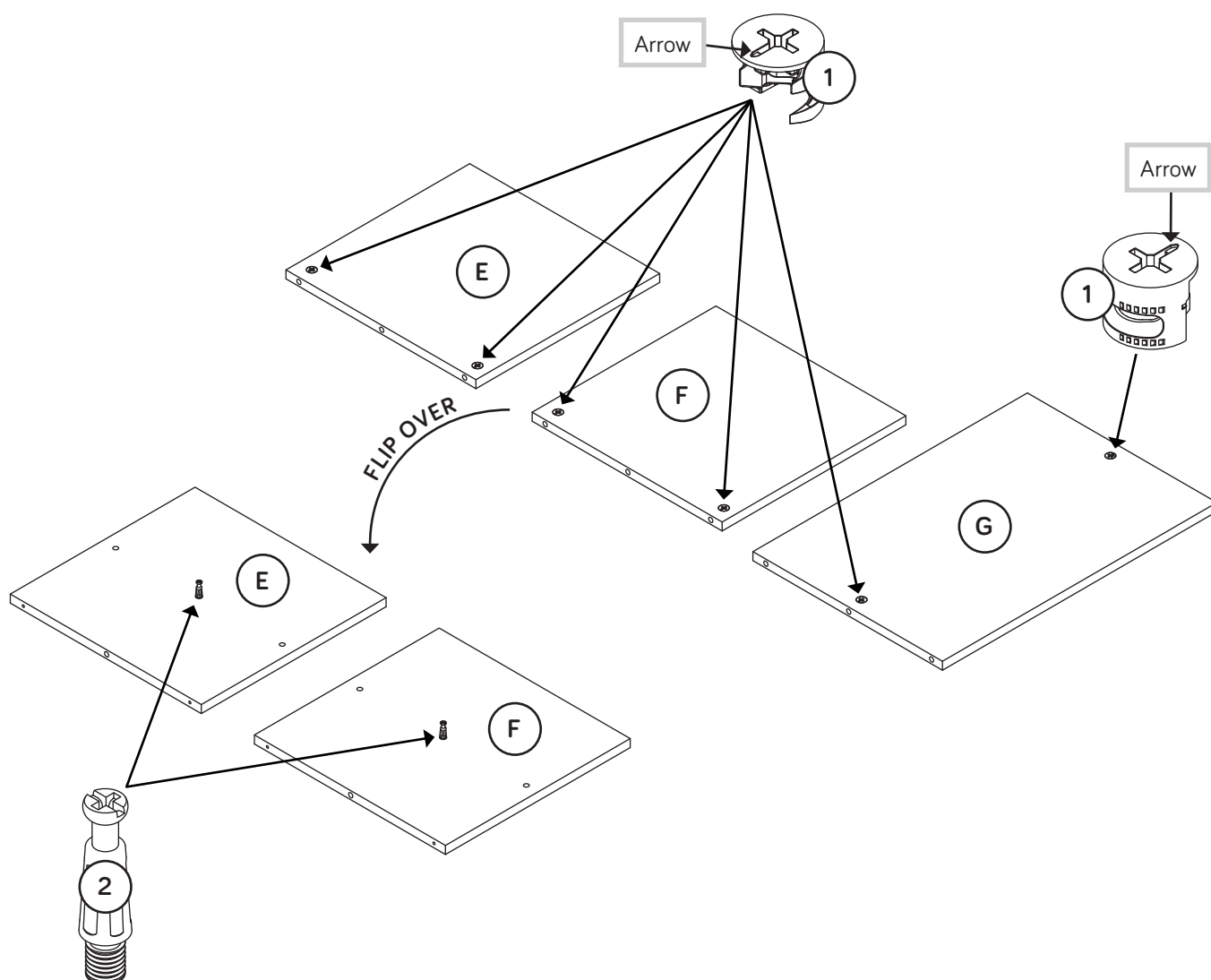
# Step 4

- ✚ Turn six CAM SCREWS (2) into the TOP (A).
- ✚ Insert three WOOD DOWELS (3) into the TOP (A).
- ✚ Fasten the TOP (A) to the ENDS (C and D) and SMALL UPRIGHT (H). Tighten six HIDDEN CAMS.
- ✚ **NOTE:** Be sure the WOOD DOWELS in the TOP insert into the ENDS and SMALL UPRIGHT.



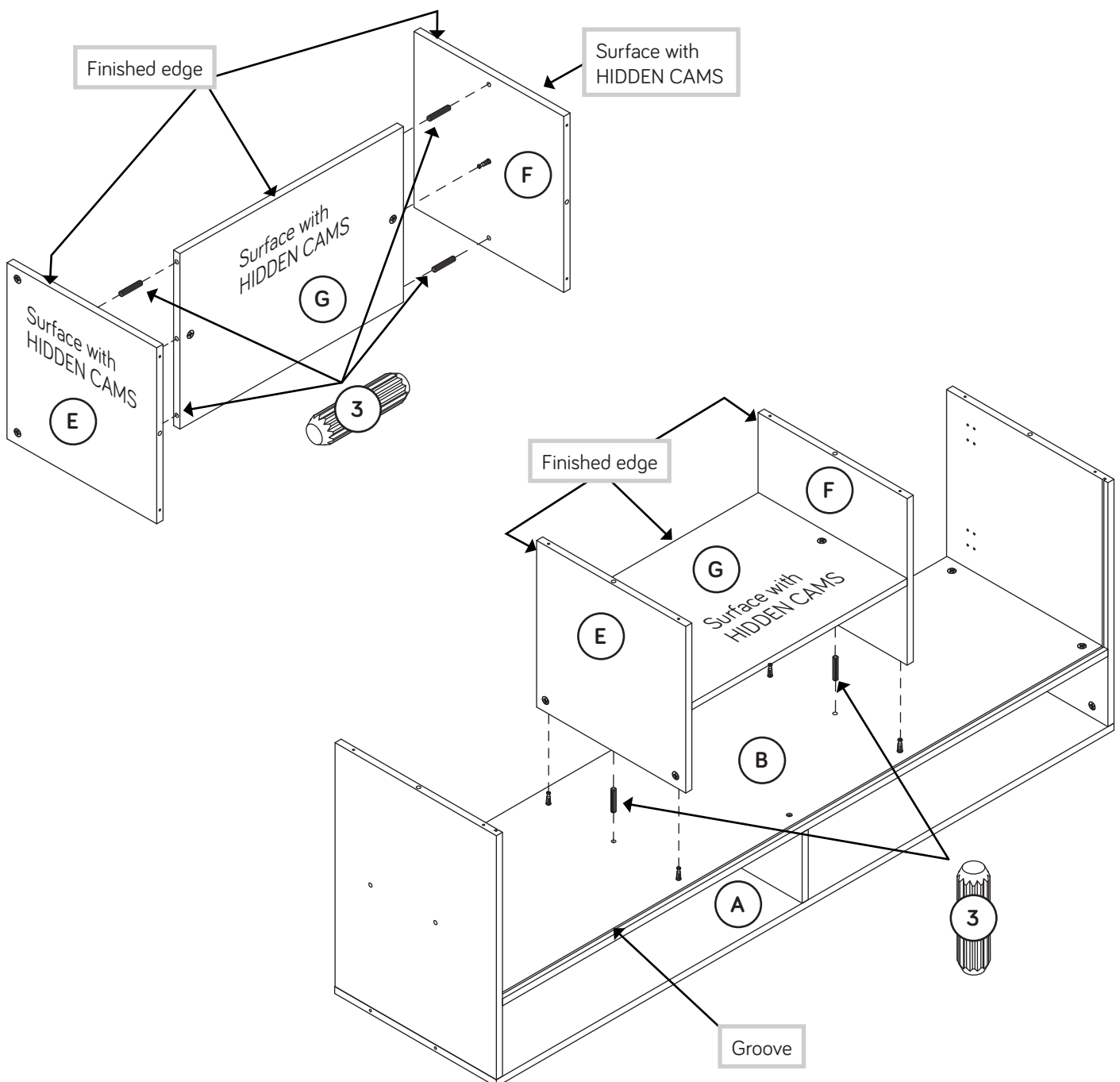
# Step 5

- ✚ Push six HIDDEN CAMS (1) into the UPRIGHTS (E and F) and SMALL SHELF (G).
- ✚ Carefully turn the UPRIGHTS (E and F) over.
- ✚ Turn two CAM SCREWS (2) into the other surfaces of the UPRIGHTS (E and F).



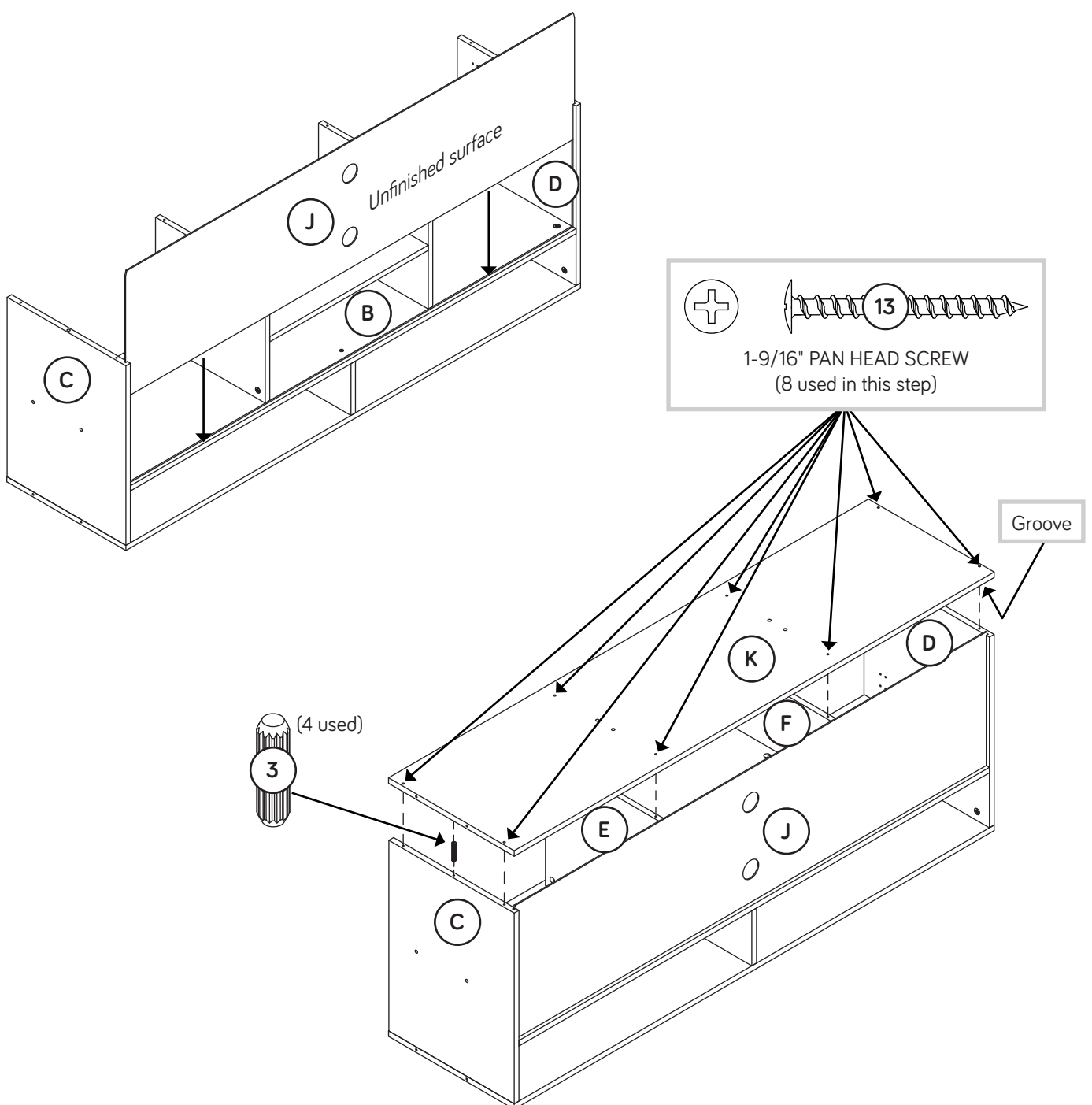
# Step 6

- ✚ Insert four WOOD DOWELS (3) into the UPRIGHTS (E and F).
- ✚ Fasten the UPRIGHTS (E and F) to the SMALL SHELF (G). Tighten two HIDDEN CAMS.
- ✚ NOTE: Be sure the WOOD DOWELS in the UPRIGHTS insert into the SMALL SHELF.
- ✚ Carefully turn the larger assembly onto the TOP (A).
- ✚ Insert two WOOD DOWELS (3) into the LARGE SHELF (B).
- ✚ Fasten the UPRIGHTS (E and F) to the LARGE SHELF (B). Tighten four HIDDEN CAMS.
- ✚ NOTE: Be sure the WOOD DOWELS in the LARGE SHELF insert into the UPRIGHTS.



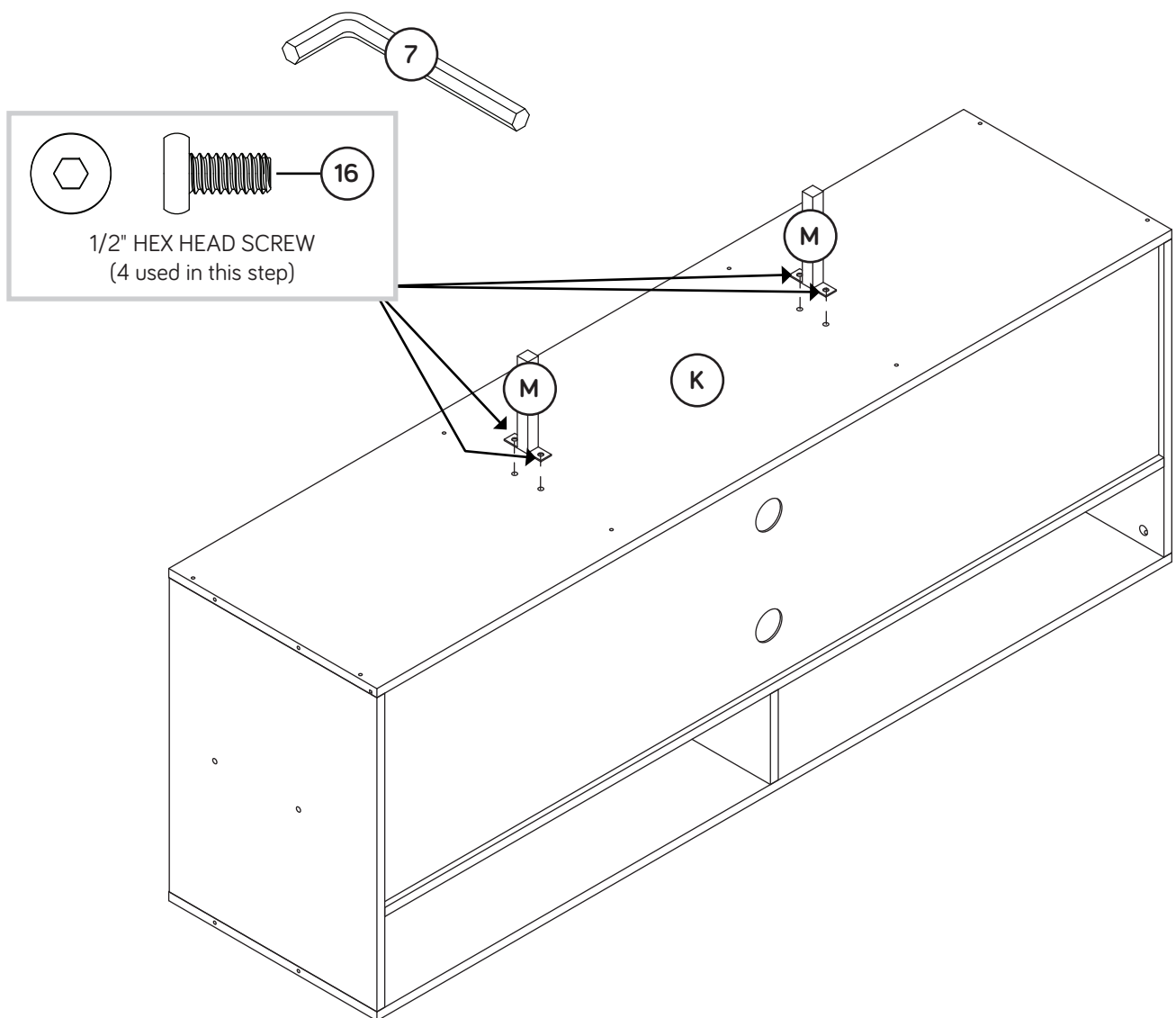
# Step 7

- ✚ Slide the BACK (J) into the grooves in the LARGE SHELF (B) and ENDS (C and D).
- ✚ Insert four WOOD DOWELS (3) into the ENDS (C and D) and UPRIGHTS (E and F).
- ✚ Fasten the BOTTOM (K) to the ENDS (C and D) and UPRIGHTS (E and F). Use eight 1-9/16" PAN HEAD SCREWS (13).
- ✚ NOTE: You should start each SCREW a few turns before completely tightening any of them.
- ✚ NOTE: Be sure the WOOD DOWELS in the ENDS and UPRIGHTS insert into the BOTTOM.
- ✚ NOTE: Be sure the BACK (J) inserts into the groove in the BOTTOM.



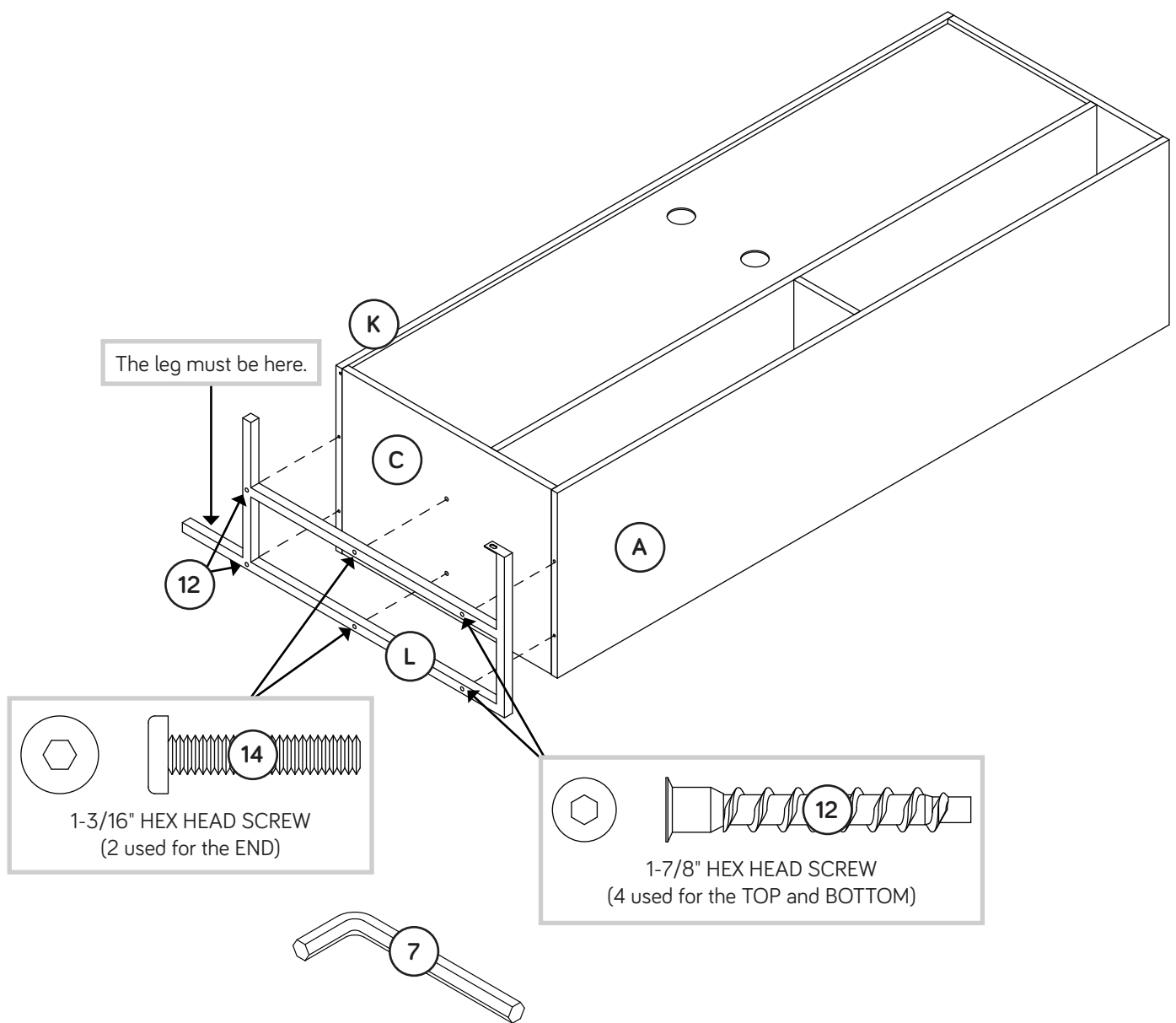
# Step 8

- Fasten the FEET (M) to the BOTTOM (K). Tighten four 1/2" HEX HEAD SCREWS (16) using the L-WRENCH (7).



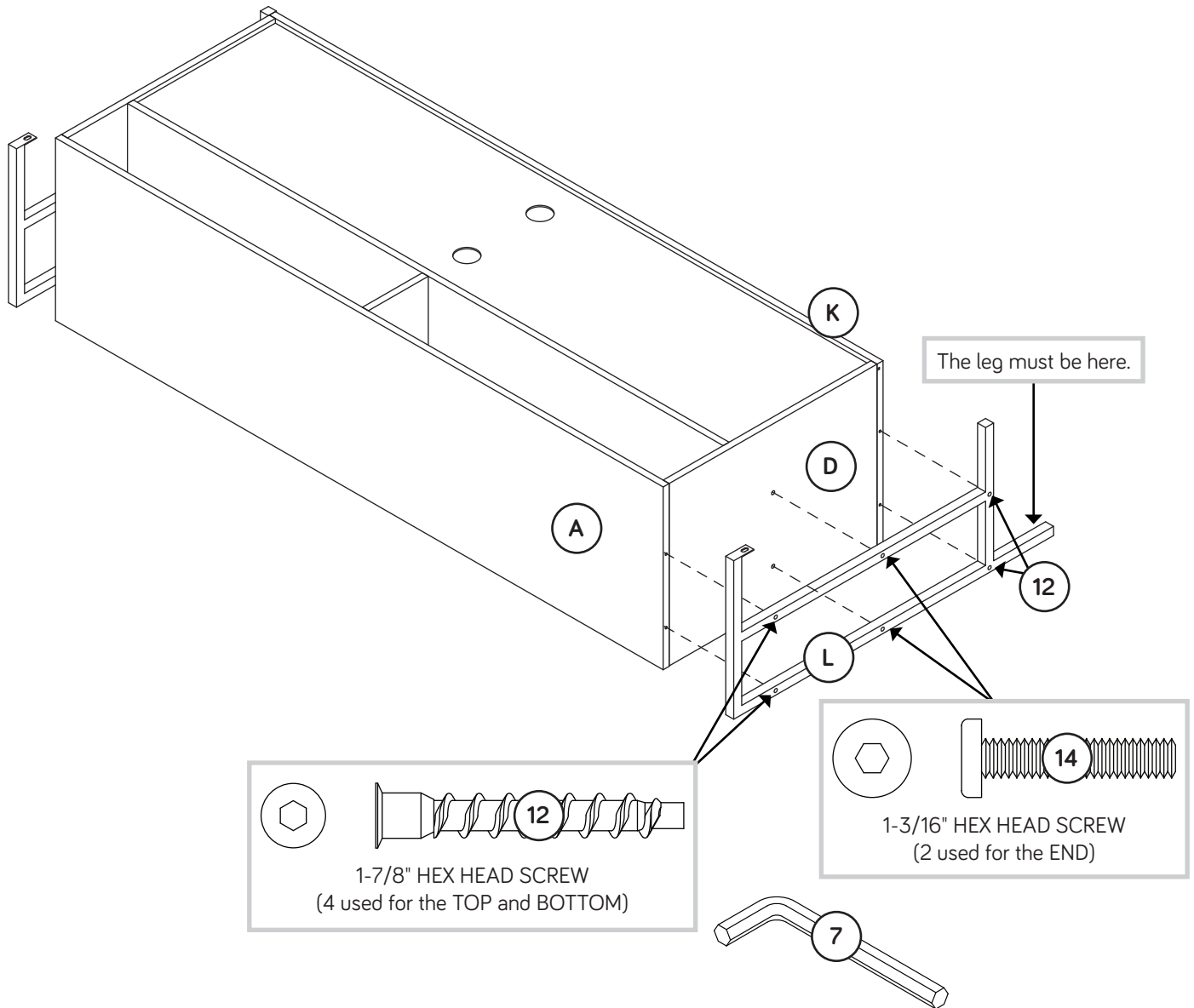
# Step 9

- ✚ Carefully turn your unit onto its front edges.
- ✚ **NOTE:** You should start each SCREW a few turns before completely tightening any of them.
- ✚ Fasten one of the FRAMES (L) to the LEFT END (C). Tighten two 1-3/16" HEX HEAD SCREWS (14) using the L-WRENCH (7).
- ✚ Fasten the FRAME (L) to the TOP (A) and BOTTOM (K). Tighten four 1-7/8" HEX HEAD SCREWS (12) using the L-WRENCH (7).



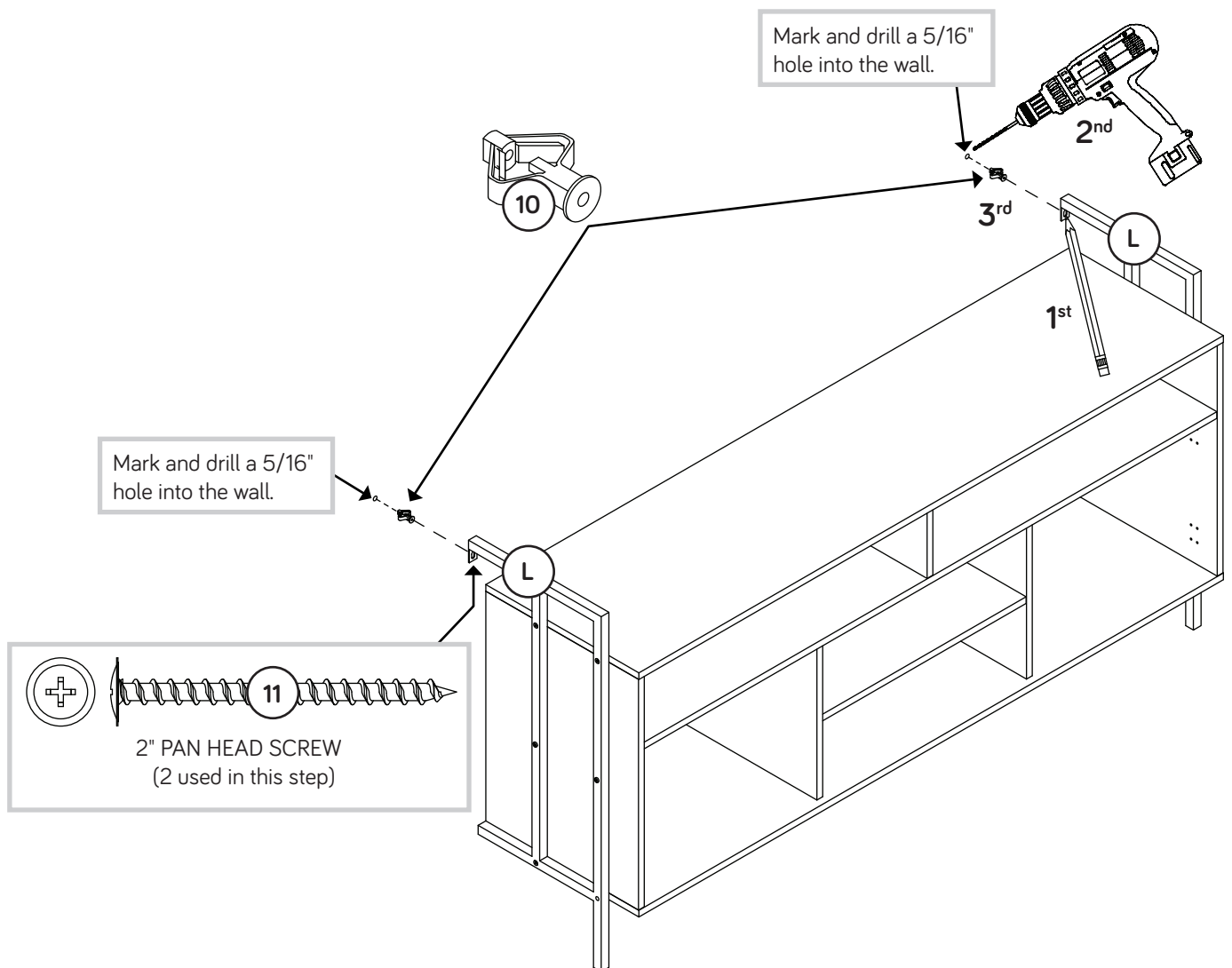
# Step 10

- ✚ **NOTE:** You should start each SCREW a few turns before completely tightening any of them.
- ✚ Fasten the remaining FRAME (L) to the RIGHT END (D). Tighten two 1-3/16" HEX HEAD SCREWS (14) using the L-WRENCH (7).
- ✚ Fasten the FRAME (L) to the TOP (A) and BOTTOM (K). Tighten four 1-7/8" HEX HEAD SCREWS (12) using the L-WRENCH (7).



# Step 11

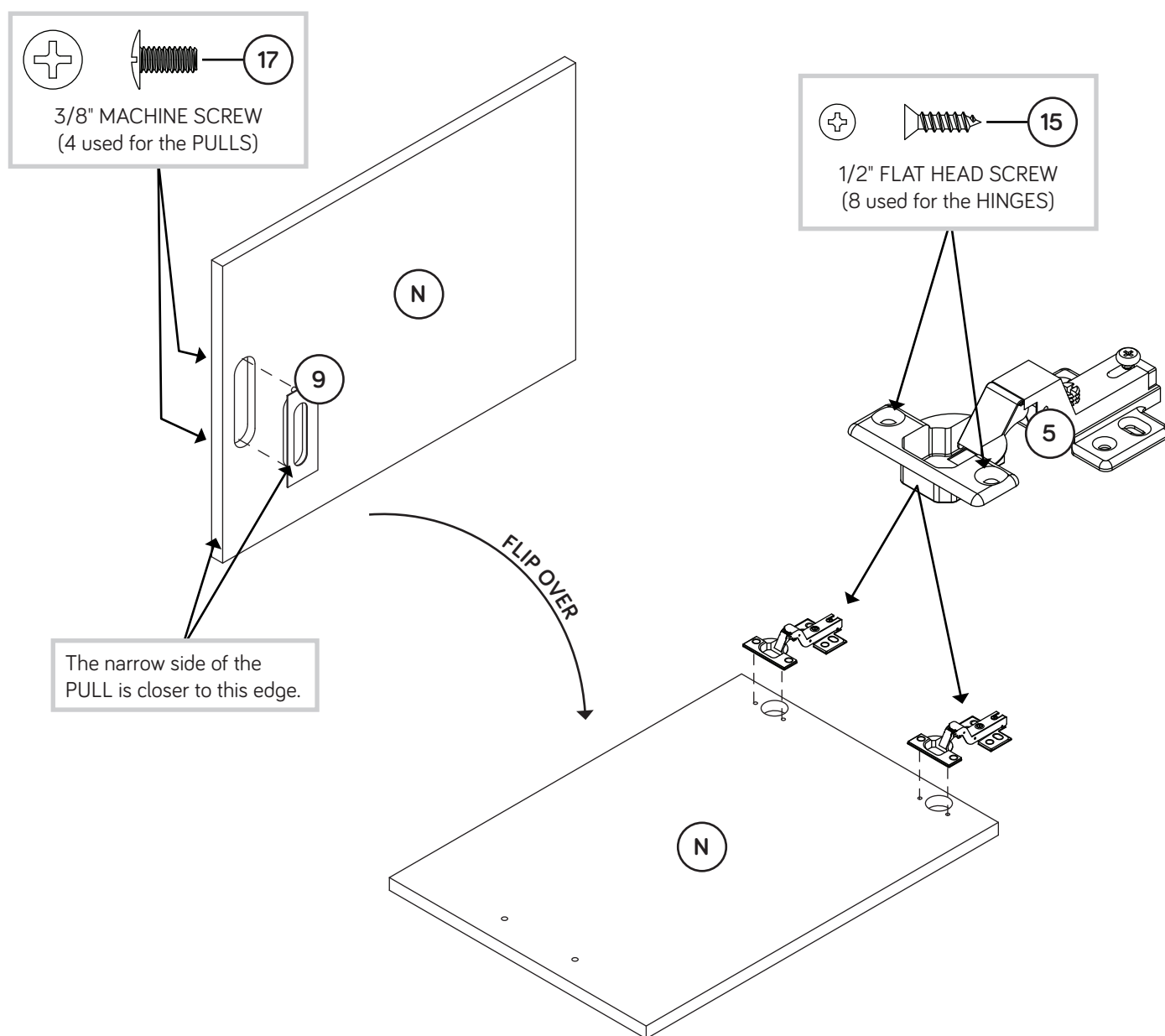
- ✚ 1<sup>st</sup>-Carefully stand your unit upright against the wall in its final location. Strike a mark through the center of each hole in the brackets in the FRAMES (L). Move your unit away from the marks.
- ✚ 2<sup>nd</sup>-Drill a 5/16" hole on each mark.
- ✚ 3<sup>rd</sup>-While you squeeze the wings together, gently tap two WALL ANCHORS (10) into the holes until they are even with the surface of the wall.
- ✚ Place the brackets in the FRAMES (L) over the WALL ANCHORS (10).
- ✚ Turn two 2" PAN HEAD SCREWS (11) through the holes in the FRAMES (L) and into the WALL ANCHORS (10).
- ✚ NOTE: You will need to turn the SCREWS (11) multiple turns to completely tighten and secure your unit to the wall.





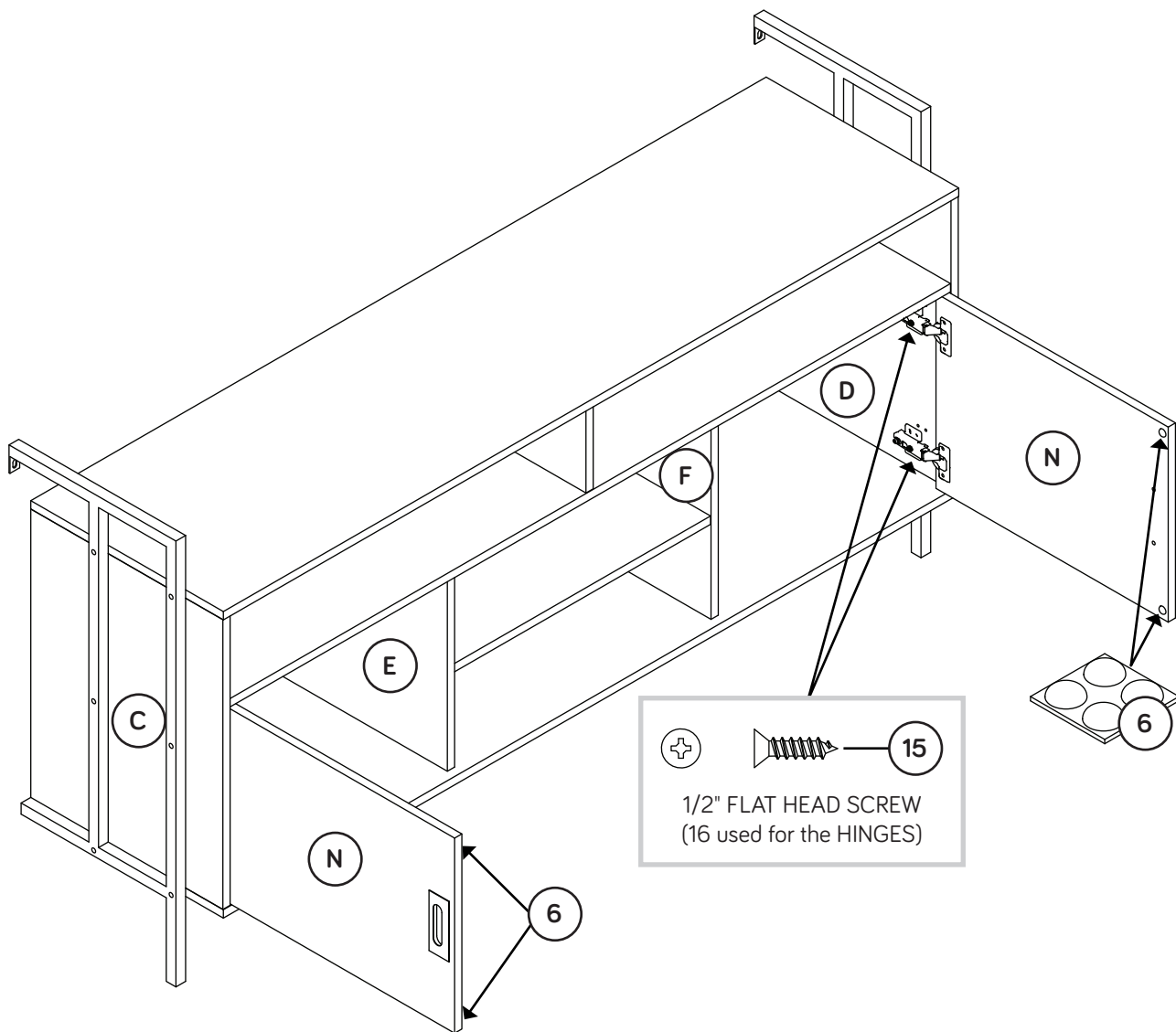
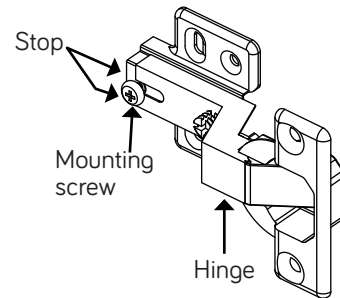
# Step 12

- Fasten one PULL (9) to one of the DOORS (N) exactly as shown. Use two 3/8" MACHINE SCREWS (17).
- Fasten two HINGES (5) to the DOOR (N). Use four 1/2" FLAT HEAD SCREWS (15).
- Repeat this step for the other DOOR.



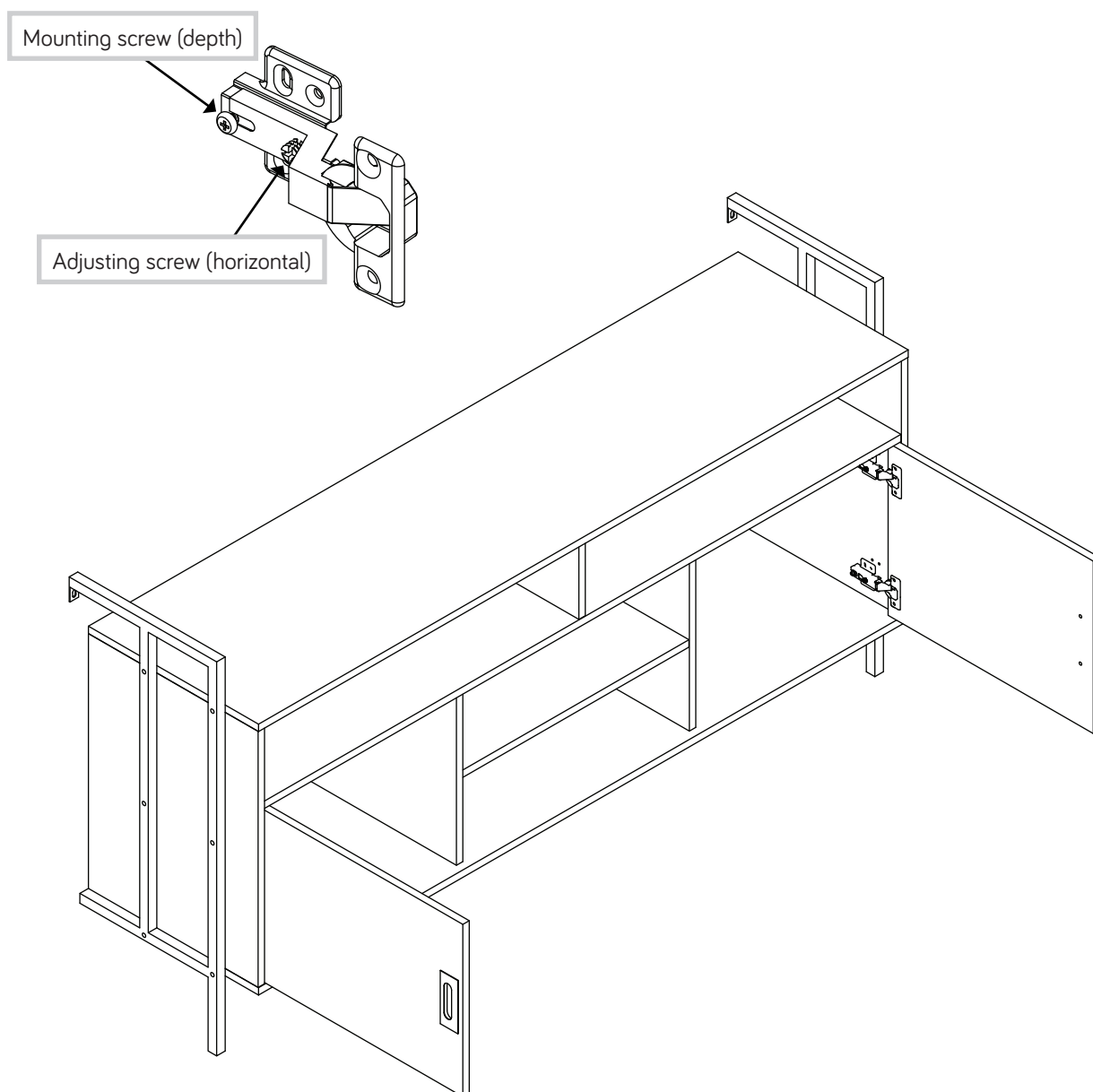
# Step 13

- ✚ Before fastening the DOOR to your unit, be sure the mounting screw is against the stops as shown in the right diagram. If it isn't, loosen the mounting screw to slide it against the stops. Then tighten the mounting screw.
- ✚ Fasten the DOORS (N) to the ENDS (C and D) as shown in the lower diagram. Use sixteen 1/2" FLAT HEAD SCREWS (15). You should start each SCREW a few turns before completely tightening any of them.
- ✚ Peel the BUMPERS from the BUMPER CARD (6) and stick them onto the DOORS (N) where they will come into contact with the UPRIGHTS (E and F).
- ✚ See the next step for DOOR adjustments.



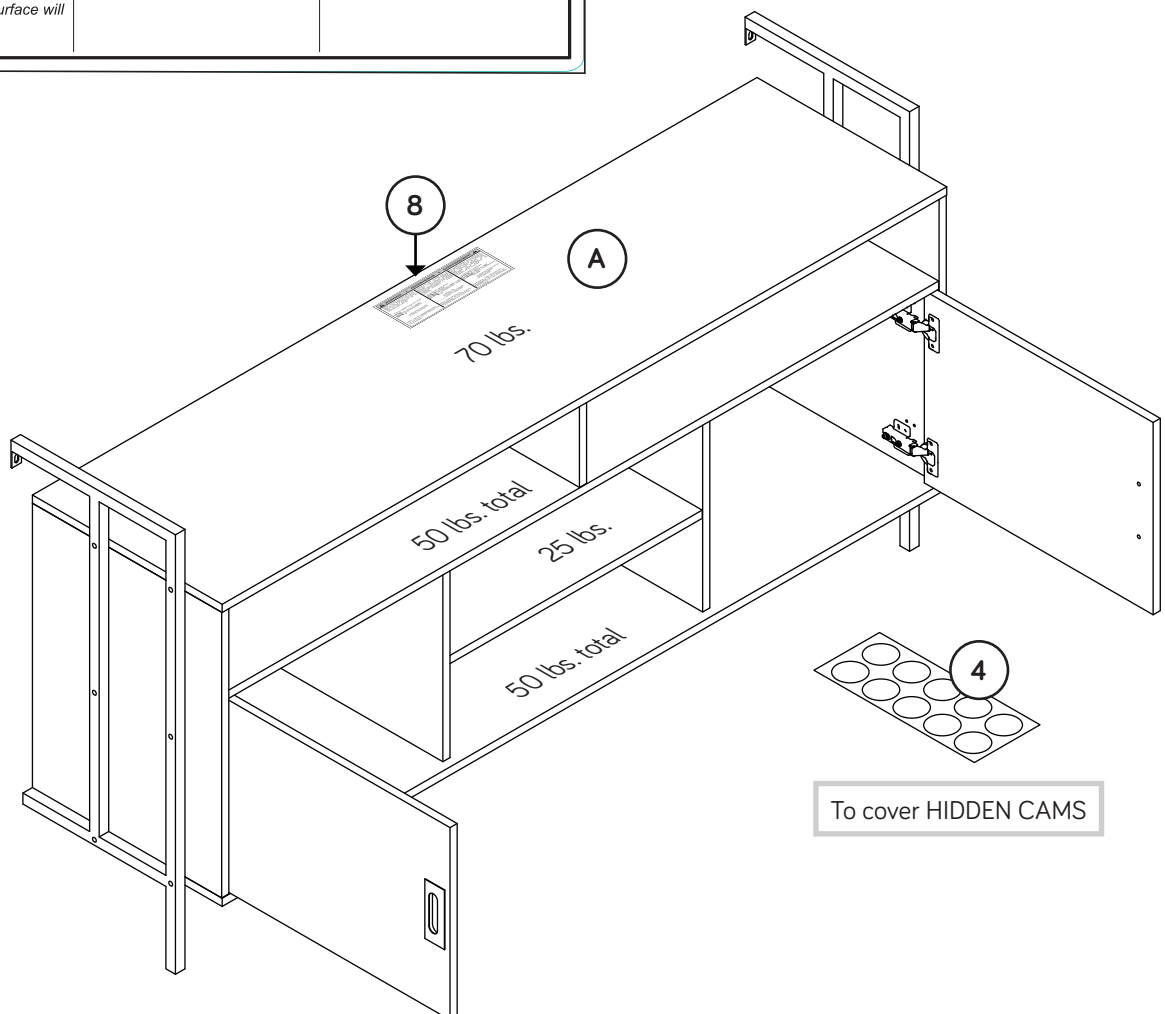
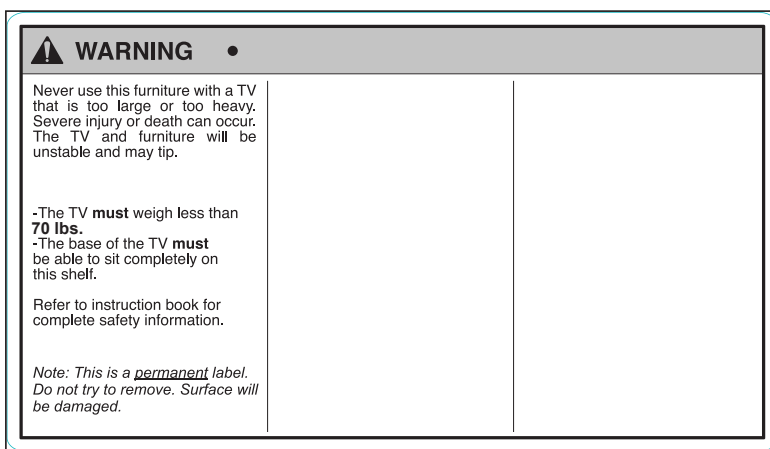
# Step 14

- ✚ Refer to the enlarged diagram to identify the parts on the HINGES.
- ✚ The DOORS may need some adjustments. Follow the text below to make needed adjustments.
- ✚ DOOR ADJUSTMENTS:  
To adjust the DOORS from side to side (horizontal), turn the adjusting screw in or out.
- ✚ To adjust the DOORS in or out (depth), loosen the mounting screw one turn and move the DOORS in or out, as needed. Tighten the mounting screw after making adjustments.



# Step 15

- ✦ Peel APPLIQUES from the APPLIQUE CARDS (4) and stick them onto each visible HIDDEN CAM.
- ✦ Apply the WARNING LABEL (8) to the TOP (A). You should be able to read the label when the TV is removed from the unit. Peel off the backing and apply the label as shown.
- ✦ **NOTE:** This is a permanent label intended to last for the life of the product. Once applied, do not try to remove it.
- ✦ **NOTE:** Please read the back pages of the instruction booklet for important safety information.
- ✦ This completes assembly. Clean with a damp cloth. Wipe dry.



**⚠ WARNING**

Please use your furniture correctly and safely. Improper use can cause safety hazards, or damage to your furniture or household items. Carefully read the following safety information.

Death or serious injury may occur when children climb on audio and/or video equipment furniture. A remote control or toys placed on the furnishing may encourage a child to climb on the furnishing and as a result may tip over onto the child.

**NEVER** allow children to climb or play with the TV or furnishing supporting the TV.

**NEVER** place toys, food, remote, etc. on top of the TV or TV furnishing.

**ALWAYS** use either the safety hardware as instructed or other wall anchoring device.

Relocating audio and/or video equipment to furniture not specifically designed to support audio and/or video equipment may result in death or serious injury due to furniture collapse or over turning onto a child.

**NEVER** place a TV on furniture that is not intended to support a TV.

**NEVER** exceed the maximum size and weight of the TV shown in the instructions.

Be sure to apply the TV warning label as shown in the instructions.

Overloading drawers and shelves may result in furniture that can break or sag, or tip-over which may result in injury.

**NEVER** exceed the weight limits shown in the instructions.

Place the heavier items on lower shelves as far back from the front as possible.

Load the bottom surfaces first to avoid top-heavy furniture.

Moving furniture that is not designed to be moved or equipped with casters may result in injury or damage to furnishings or personal property.

**ALWAYS** unload shelves and drawers, starting with the top surfaces, before moving.

**NEVER** push or pull furniture on carpet. Have a friend help lift properly to move and/or reposition it.