

Teknik

www.teknikoffice.co.uk

You'll **love** what we
have in **storage**.

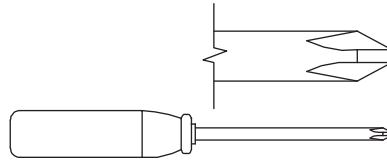
Hythe Wall Mounted Hallway Storage

New Hyde Collection | **Model 426440**

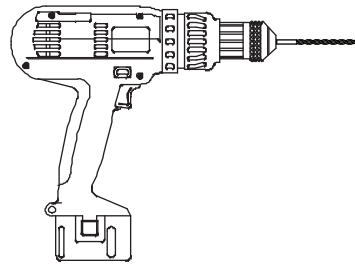
Table of Contents

Assembly Tools Required

Part Identification	3
Hardware Identification	4-5
Assembly Steps	6-21



No. 2 Phillips Screwdriver
Tip Shown Actual Size



Electric drill with 5/16" bit
(ONLY in indicated step)

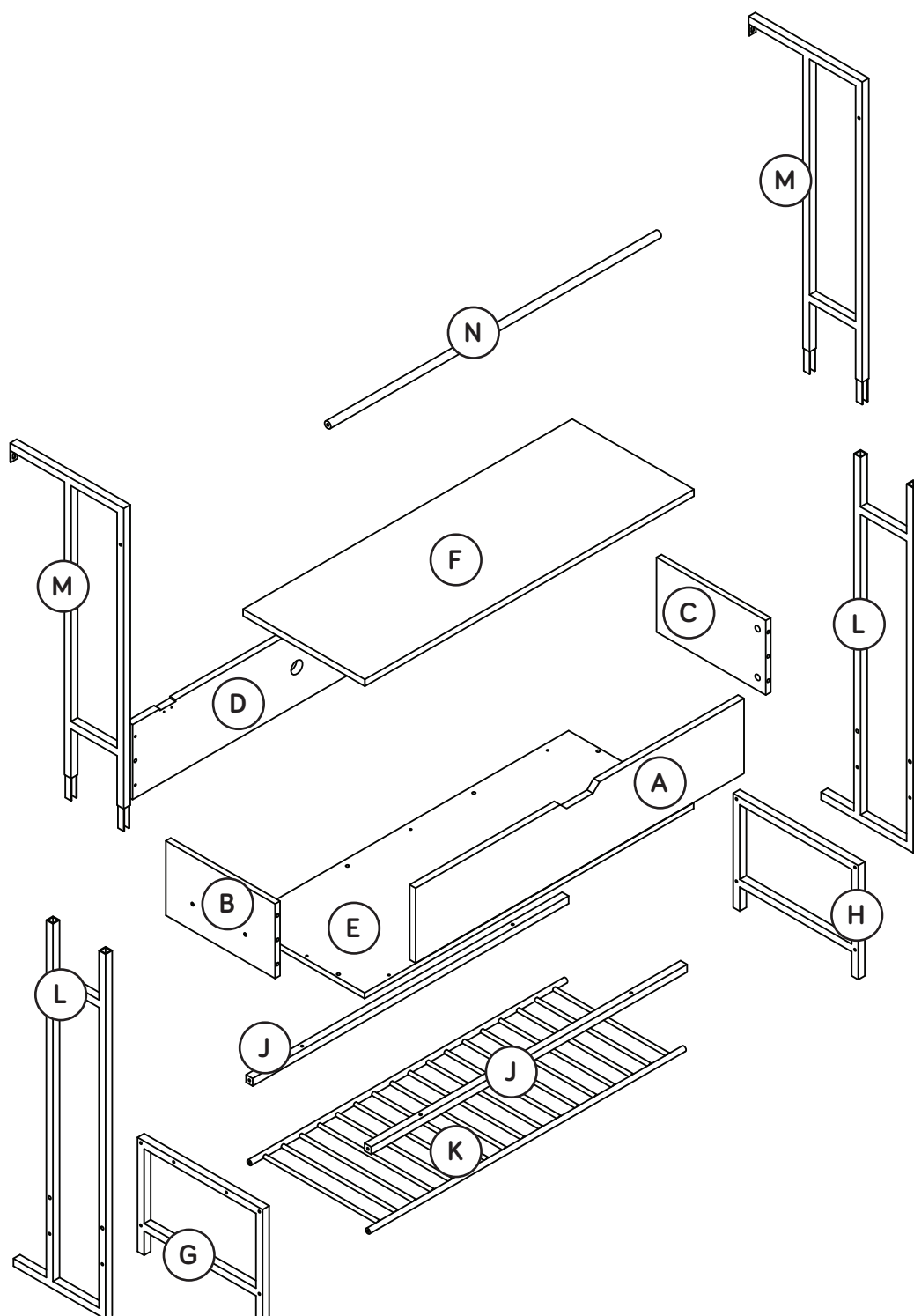
Part Identification

Now you know
our ABCs.



⚠ While not all parts are labeled, some of the parts will have a label or an inked letter on the edge to help distinguish similar parts from each other. Use this part identification to help identify similar parts.

A	FRONT (1)	F	TOP (1)	L	LOWER FRAME (2)
B	LEFT END (1)	G	LEFT LEG (1)	M	UPPER FRAME (2)
C	RIGHT END (1)	H	RIGHT LEG (1)	N	ROD (1)
D	BACK (1)	J	BRACE (2)		
E	BOTTOM (1)	K	RACK (1)		



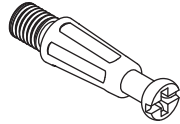
Hardware Identification

† Screws are shown actual size. You may receive extra hardware with your unit.

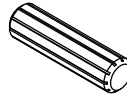
1 HIDDEN CAM - 4



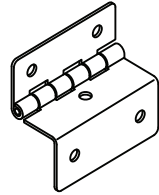
2 CAM SCREW - 4



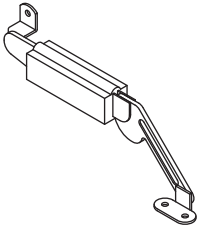
3 WOOD DOWEL - 12



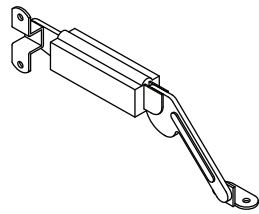
4 REAR HINGE - 3



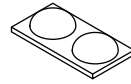
5 LEFT HINGE - 1



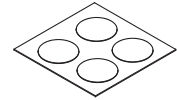
6 RIGHT HINGE - 1



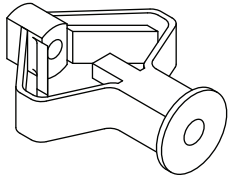
7 BUMPER CARD - 1



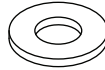
8 APPLIQUE CARD - 1



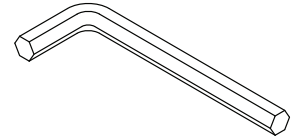
9 WALL ANCHOR - 2



10 WASHER - 4



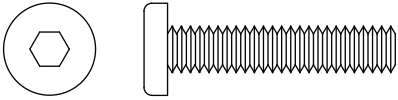
11 L-WRENCH - 1



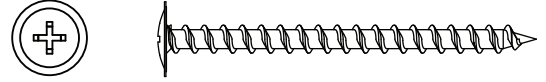
Hardware Identification

† Screws are shown actual size. You may receive extra hardware with your unit.

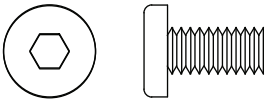
12 1-3/16" HEX HEAD SCREW - 18



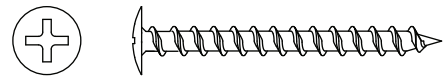
13 2" PAN HEAD SCREW - 2



14 1/2" HEX HEAD SCREW - 8



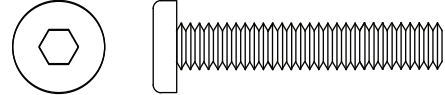
15 1-9/16" PAN HEAD SCREW - 12



16 BLACK 9/16" PAN HEAD SCREW - 23



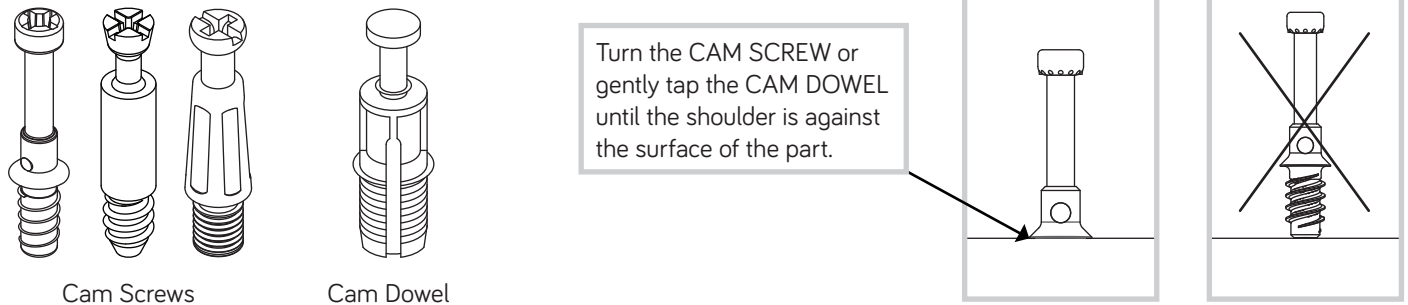
17 1-3/8" HEX HEAD SCREW - 4



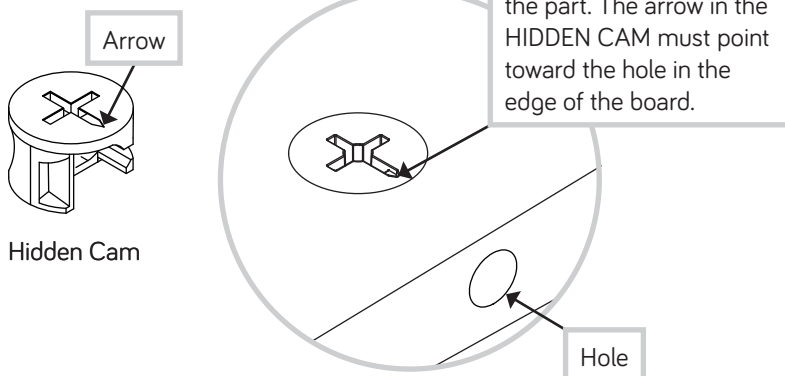
Hardware Usage Guide

HOW TO USE A HIDDEN CAM & CAM SCREW OR CAM DOWEL

1. NOTE: Various CAM SCREWS or a CAM DOWEL may be used.

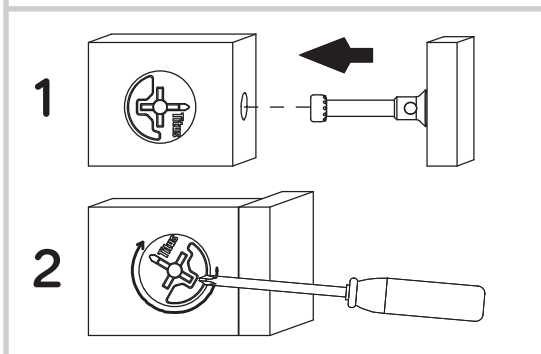


2.



3.

Insert the CAM SCREW or CAM DOWEL into the HIDDEN CAM. Tighten the HIDDEN CAM.

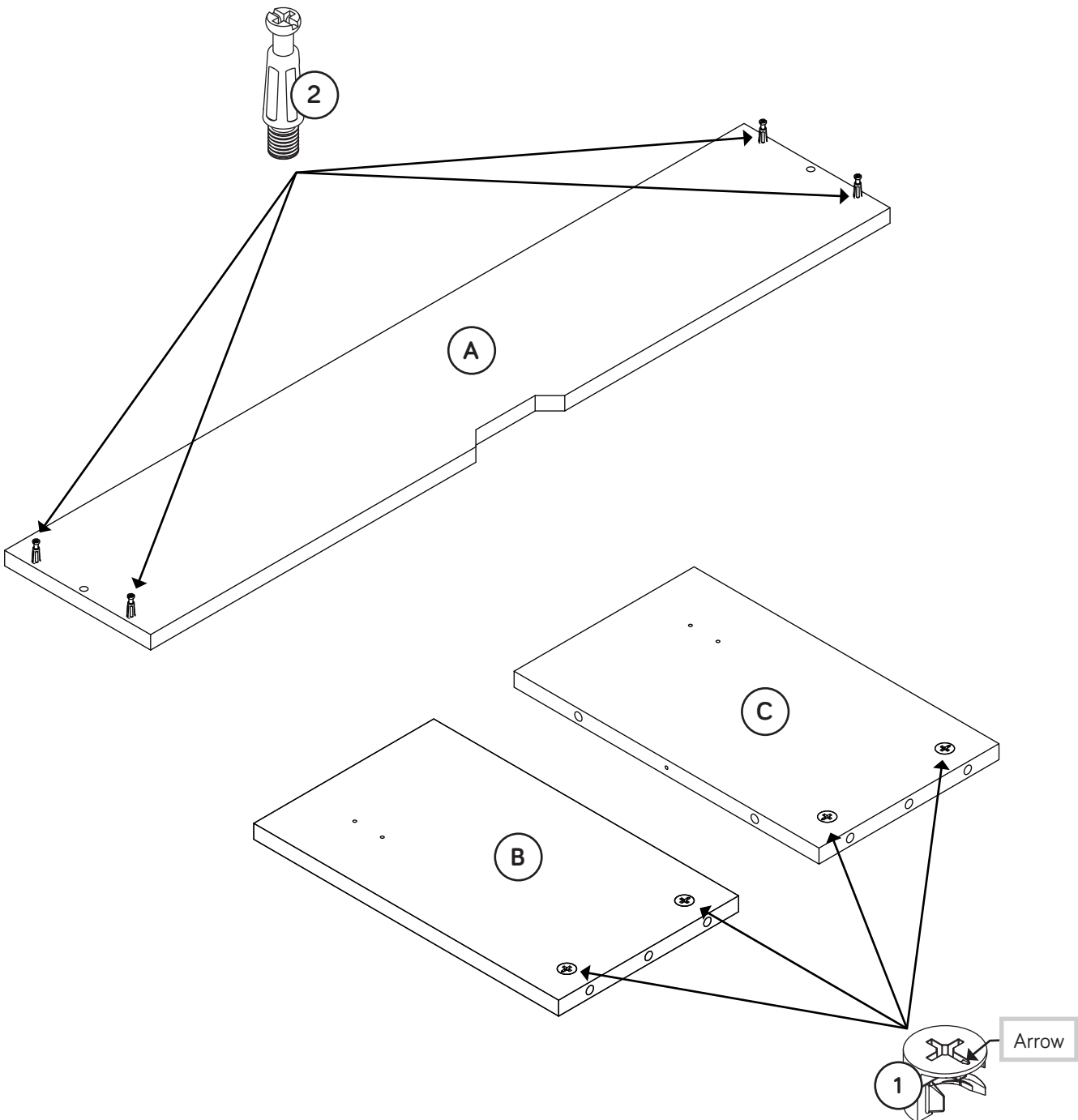


Step 1

- ✚ Assemble your unit on a carpeted floor or on the empty carton to avoid scratching your unit or the floor.
- ✚ Turn four CAM SCREWS (2) into the FRONT (A).
- ✚ Push four HIDDEN CAMS (1) into the ENDS (B and C).

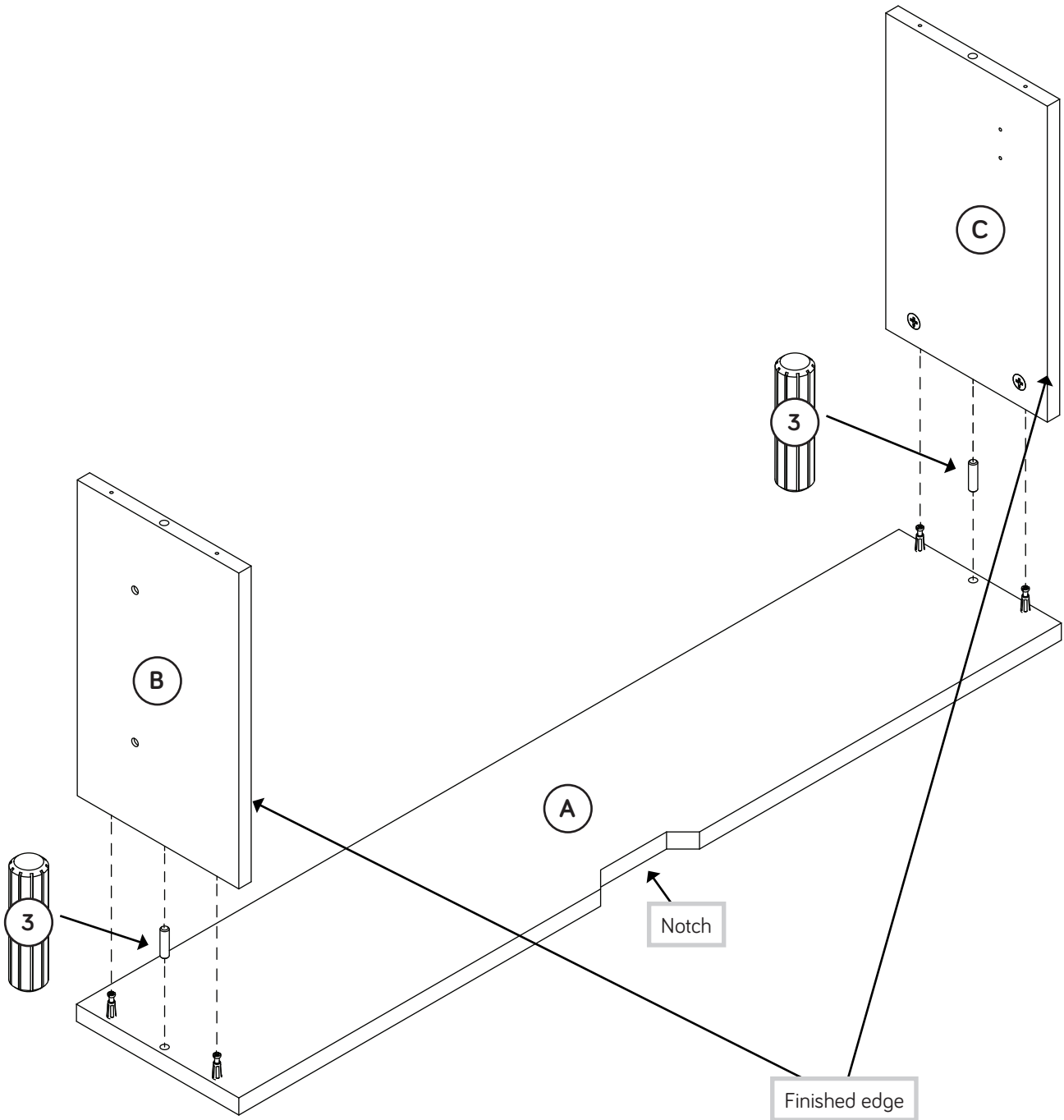


Just think. The sooner you do this, the sooner you do something else.



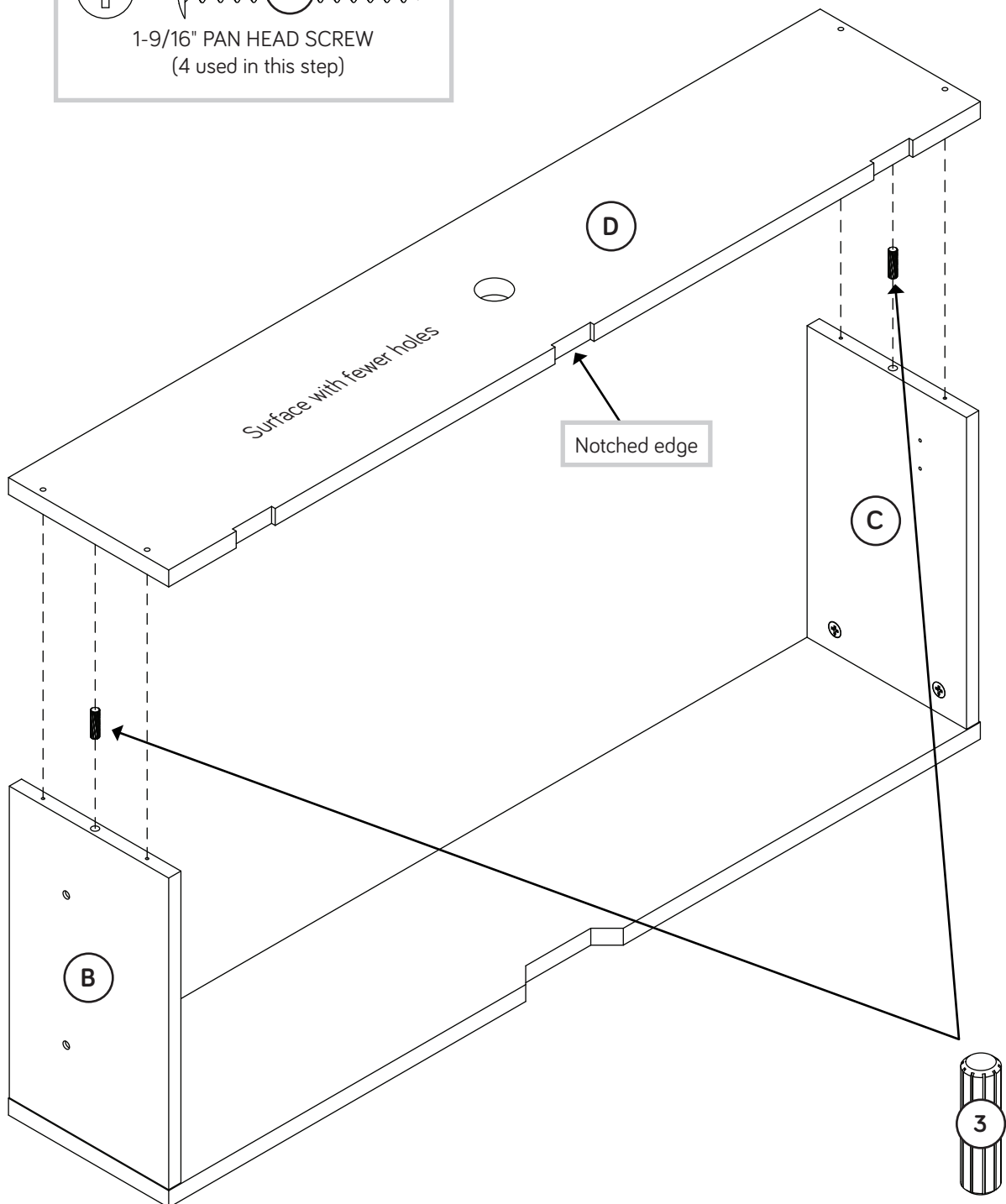
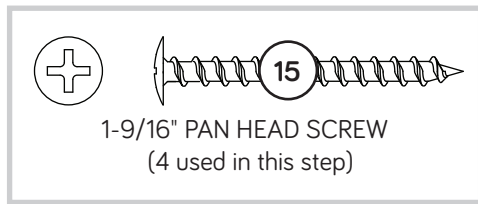
Step 2

- ✚ Insert two WOOD DOWELS (3) into the FRONT (A).
- ✚ Fasten the ENDS (B and C) to FRONT (A). Tighten four HIDDEN CAMS.
- ✚ NOTE: Be sure the WOOD DOWELS in the FRONT insert into the ENDS.



Step 3

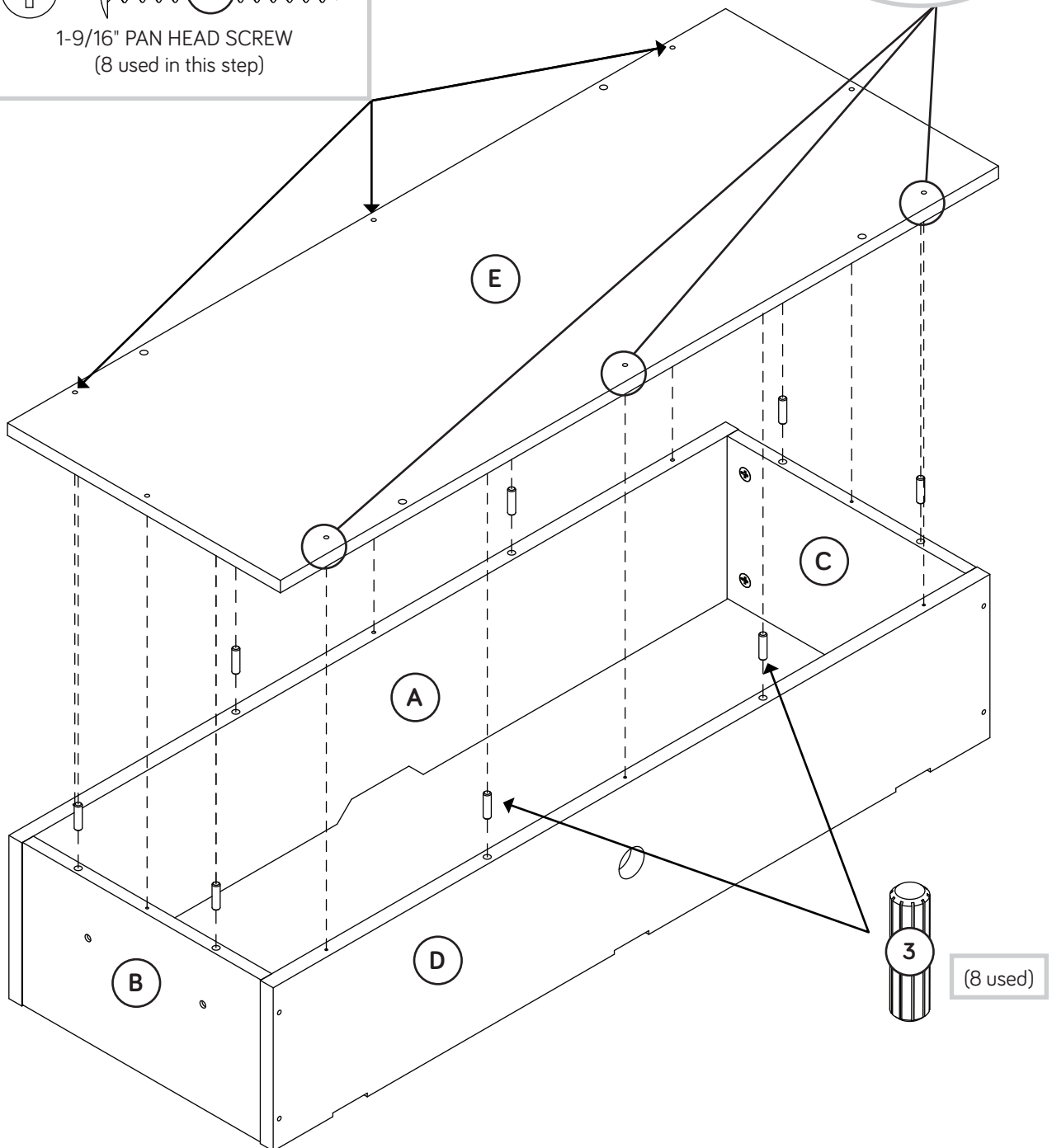
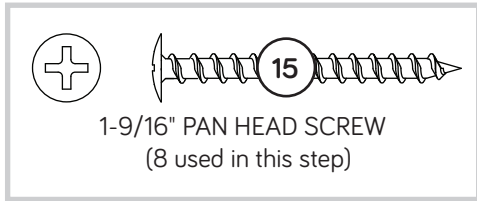
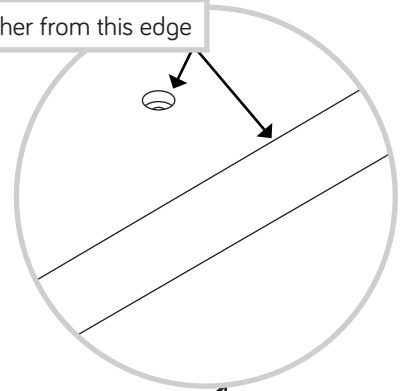
- ✚ Insert two WOOD DOWELS (3) into the ENDS (B and C).
- ✚ Fasten the BACK (D) to the ENDS (B and C). Use four 1-9/16" PAN HEAD SCREWS (15).
- ✚ NOTE: Be sure the WOOD DOWELS in the ENDS insert into the BACK.



Step 4

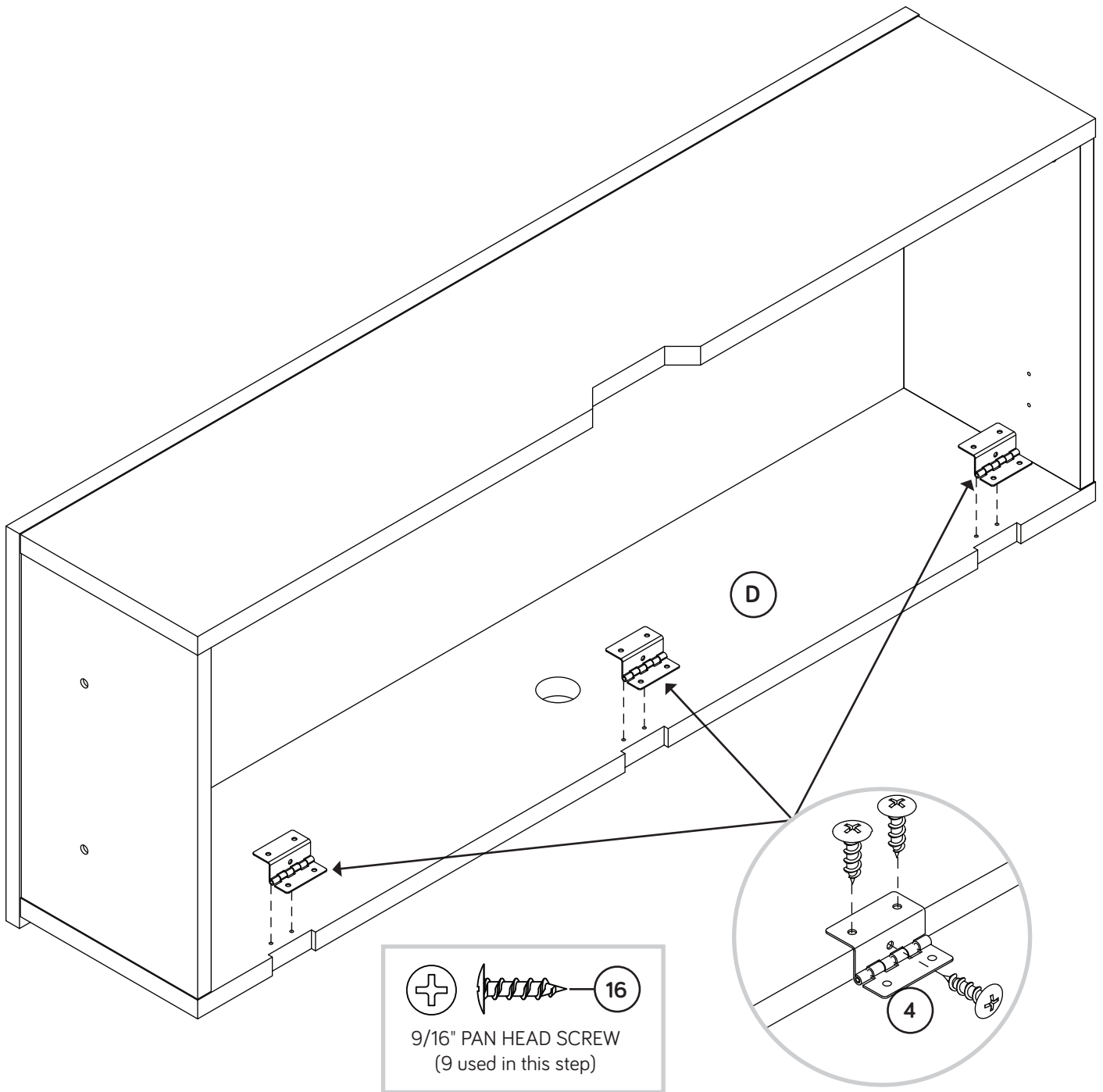
- ✚ Carefully turn your unit on its top edges.
- ✚ Insert eight WOOD DOWELS (3) into the SHELF (E).
- ✚ Fasten the BOTTOM (E) to the FRONT (A), ENDS (B and C), and BACK (D). Use eight 1-9/16" PAN HEAD SCREWS (15).
- ✚ **NOTE:** Be sure the WOOD DOWELS in the SHELF insert into the FRONT, ENDS and BACK.

These holes are further from this edge



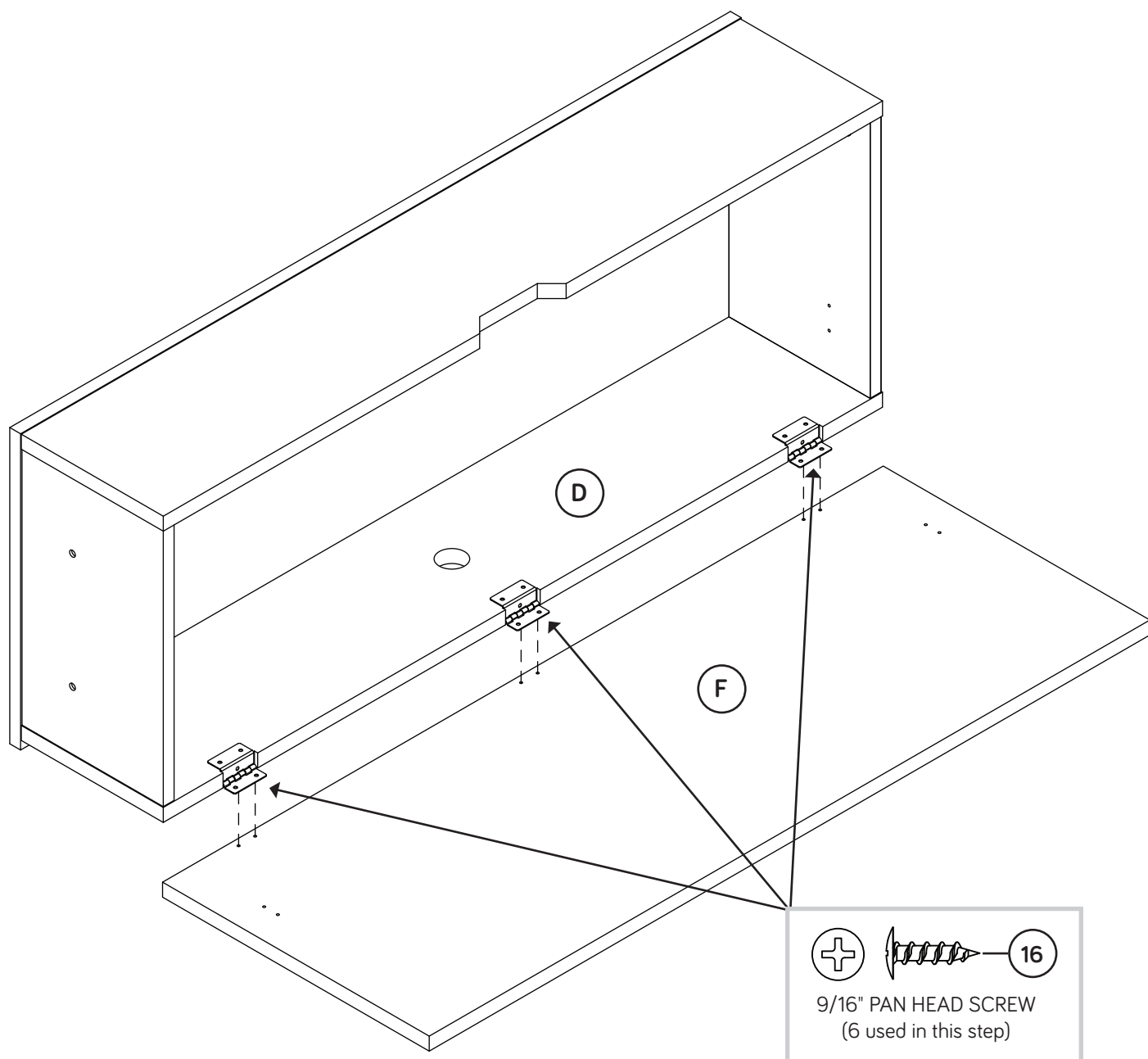
Step 5

- ✚ Carefully turn your unit onto the BACK (D).
- ✚ Fasten the REAR HINGES (4) to the BACK (D). Use nine BLACK 9/16" PAN HEAD SCREWS (16).



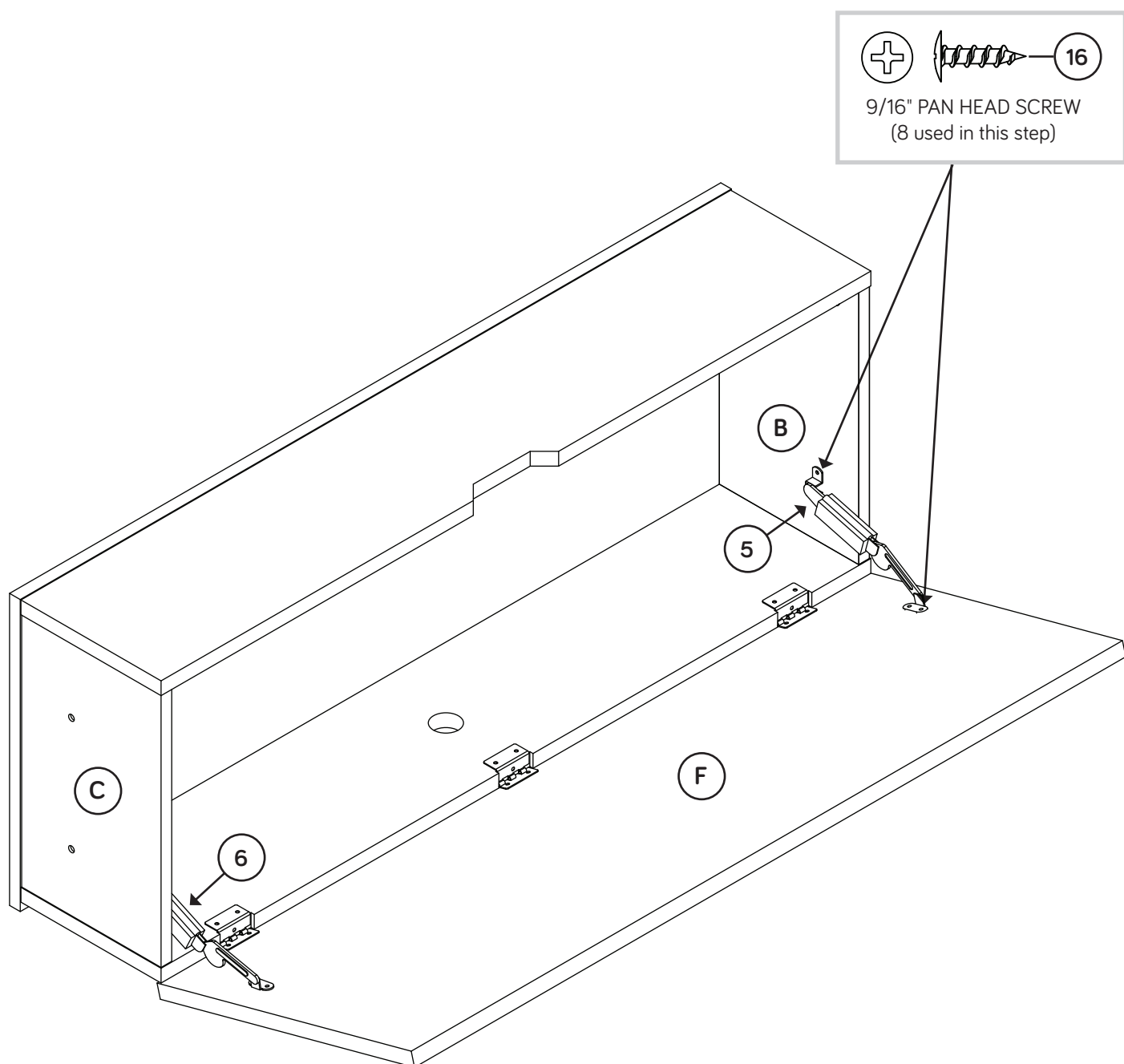
Step 6

- Fasten the TOP (F) to the BACK (D). Use six 9/16" PAN HEAD SCREWS (16).



Step 7

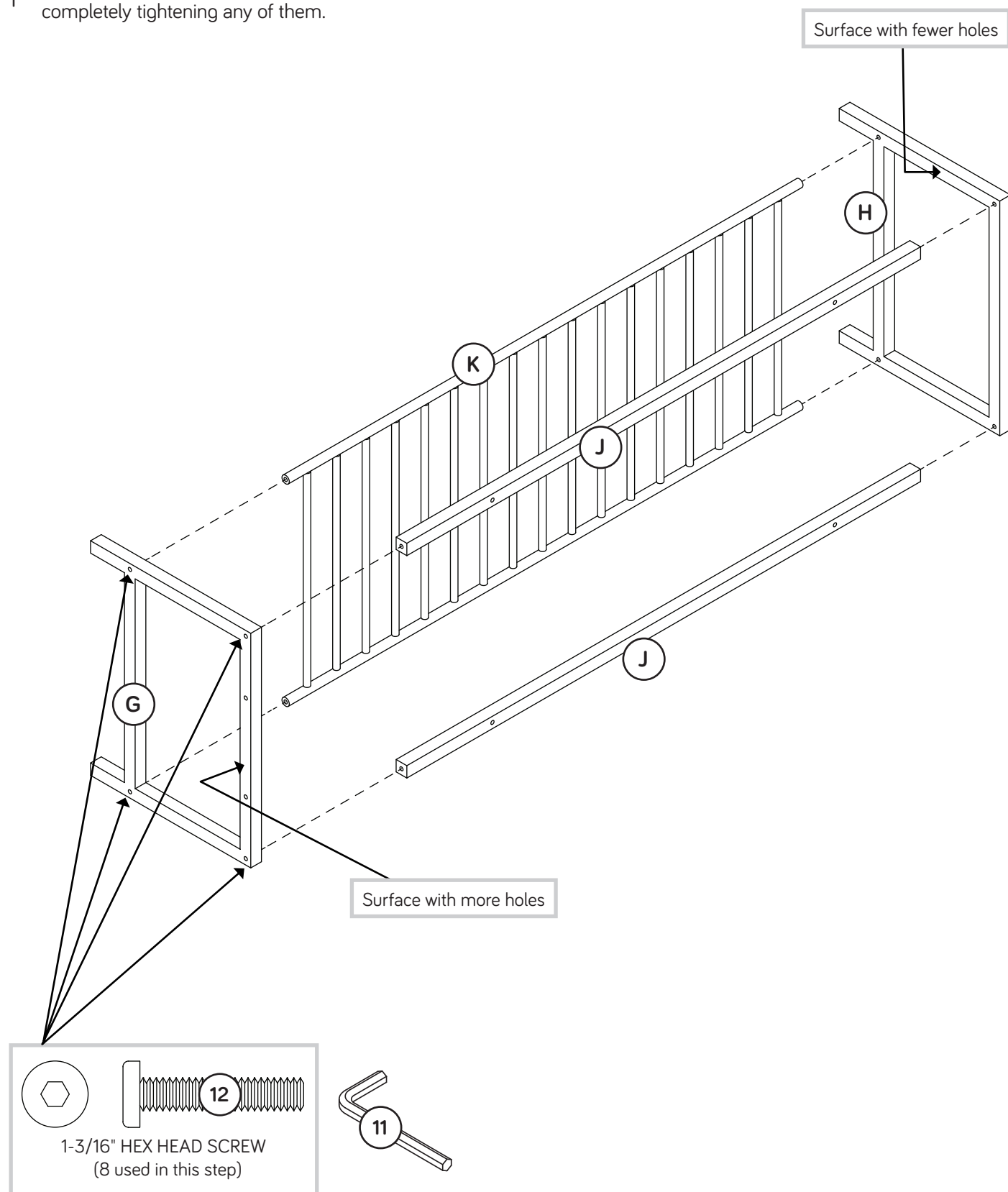
- ✚ **IMPORTANT:** You will need someone's help in this step.
- ✚ Fasten the LEFT HINGE (5) to the LEFT END (B) and the RIGHT HINGE (6) to the RIGHT END (C). Use four 9/16" PAN HEAD SCREWS (16).
- ✚ Fasten the LEFT HINGE (5) and RIGHT HINGE (6) to the TOP (F). Use four 9/16" PAN HEAD SCREWS (16).



Step 8

Fasten the LEGS (G and H) to the BRACES (J) and RACK (K). Tighten eight 1-3/16" HEX HEAD SCREWS (12) using the L-WRENCH (11).

NOTE: You should start each SCREW a few turns before completely tightening any of them.

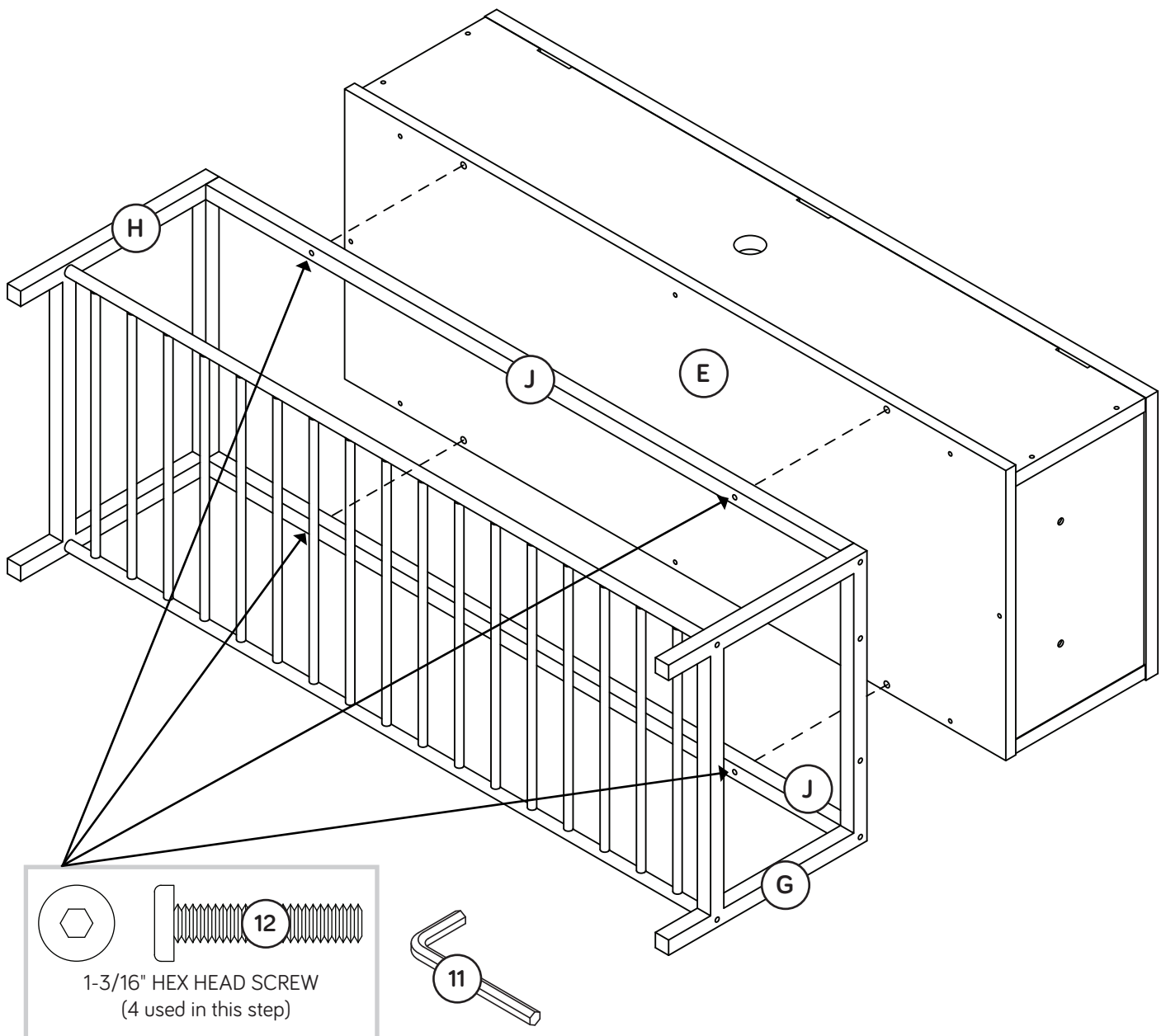


Step 9

- Fasten the BRACES (J) to the BOTTOM (E). Tighten four 1-3/16" HEX HEAD SCREWS (12) using the L-WRENCH (11).
- NOTE:** You should start each SCREW a few turns before completely tightening any of them.



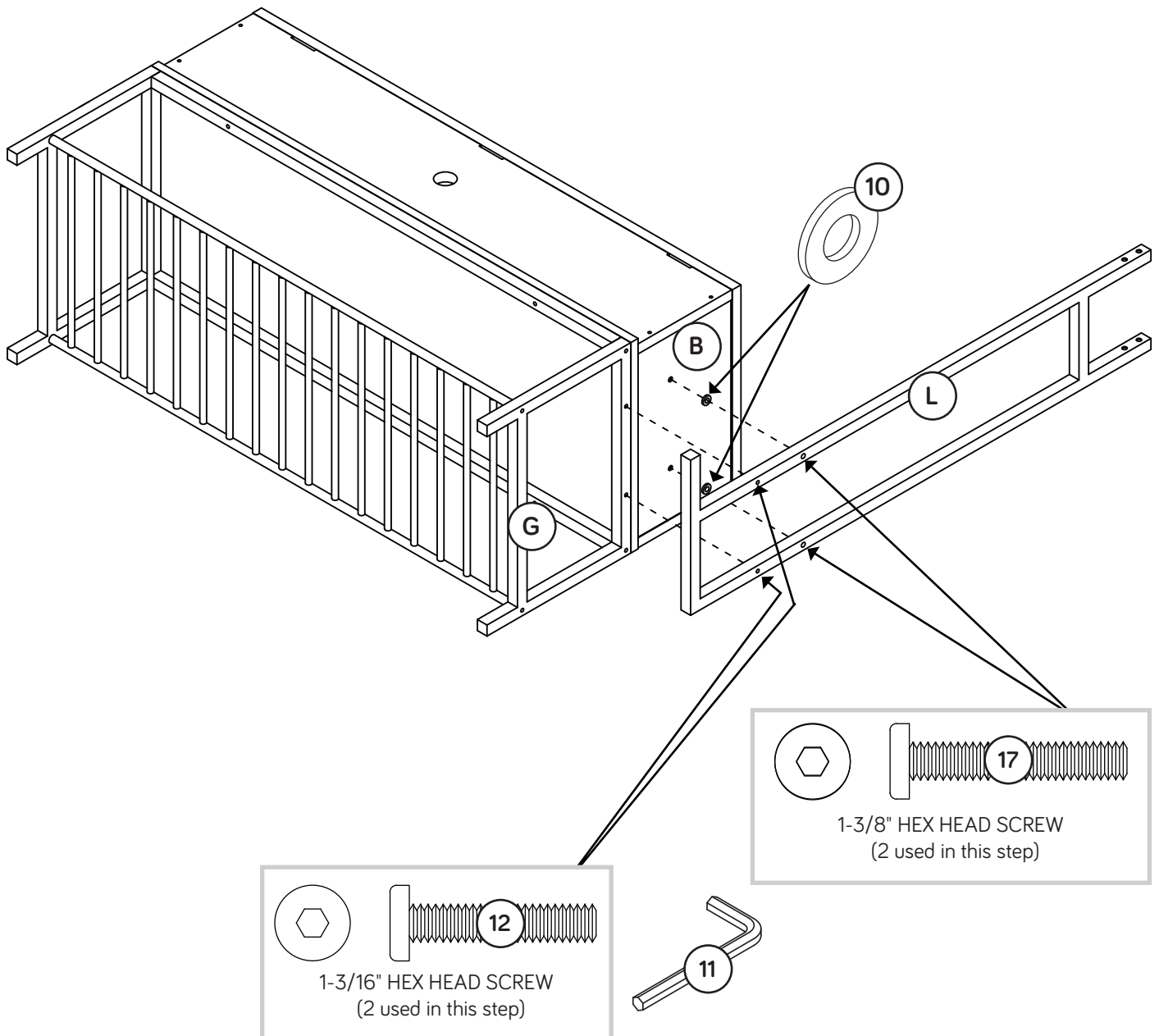
Now might be a good time to refresh your drink.



Step 10

Fasten a LOWER FRAME (L) and WASHERS (10) to the LEFT END (B) and LEFT LEG (G). Tighten two 1-3/16" HEX HEAD SCREWS (12) and two 1-3/8" HEX HEAD SCREW (17) as shown using the L-WRENCH (11).

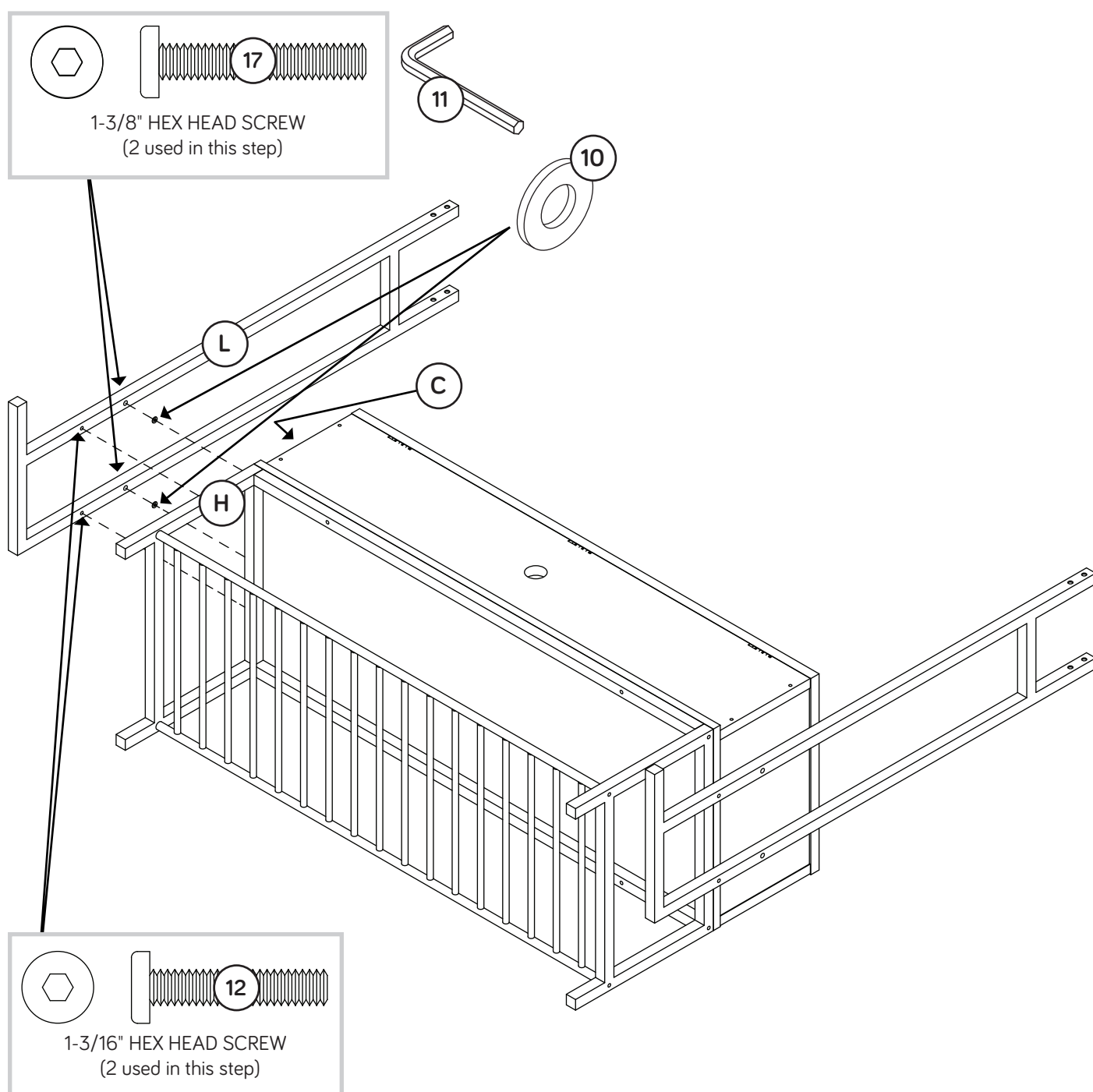
NOTE: You should start each SCREW a few turns before completely tightening any of them.



Step 11

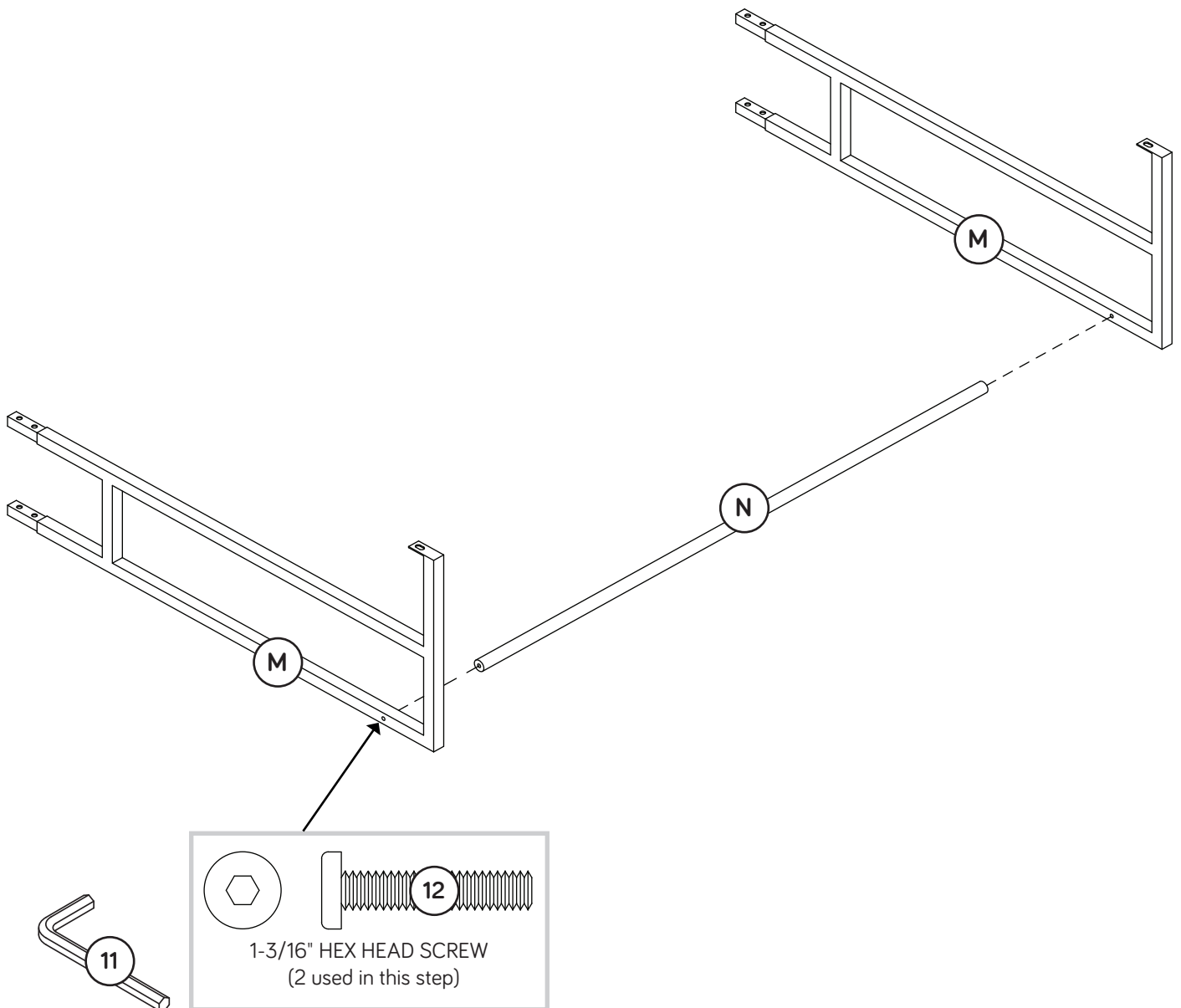
Fasten the remaining LOWER FRAME (L) and WASHERS (10) to the RIGHT END (C) and RIGHT LEG (H). Tighten two 1-3/16" HEX HEAD SCREWS (12) and two 1-3/8" HEX HEAD SCREW (17) as shown using the L-WRENCH (11).

NOTE: You should start each SCREW a few turns before completely tightening any of them.



Step 12

- Fasten the ROD (N) to the UPPER FRAMES (M).
Tighten two 1-3/16" HEX HEAD SCREWS (12) using the L-WRENCH (11).
- NOTE:** You should start each SCREW a few turns before completely tightening any of them.



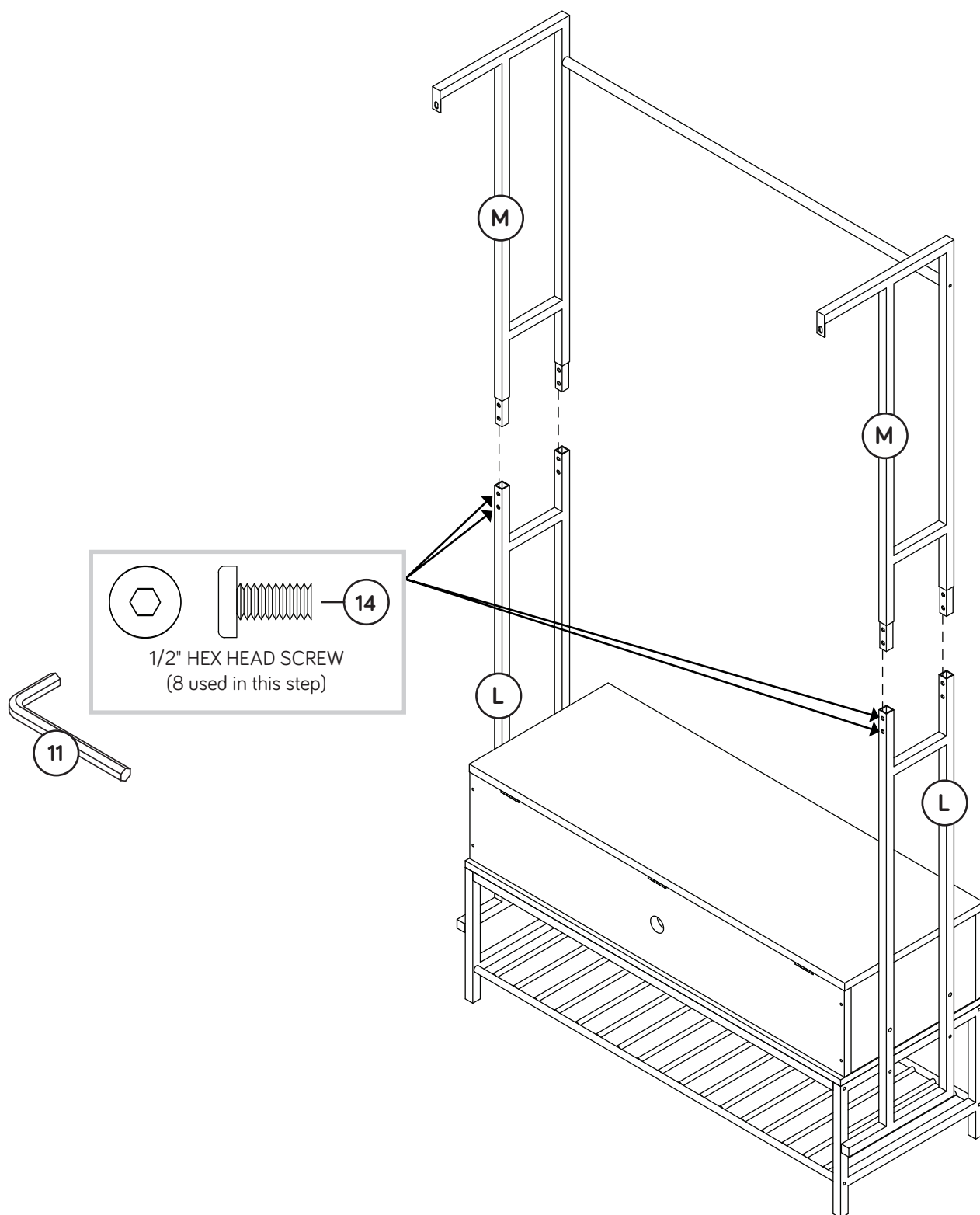
Step 13

Fasten the UPPER FRAMES (M) to the LOWER FRAMES (L). Tighten eight 1/2" HEX HEAD SCREWS (14) using the L-WRENCH (11).

NOTE: You should start each SCREW a few turns before completely tightening any of them.

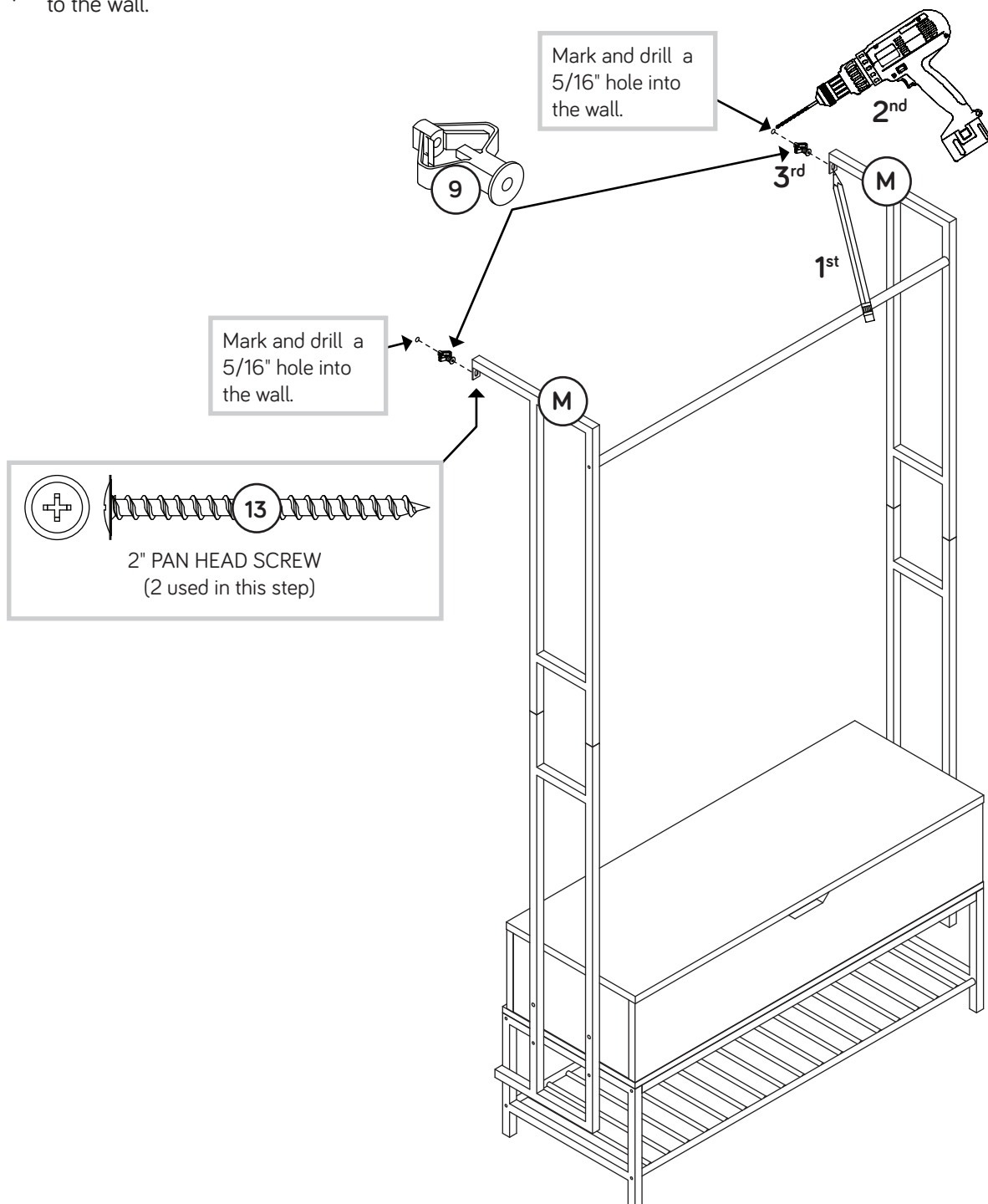


If you're doing this to help a friend, don't leave without a bite.



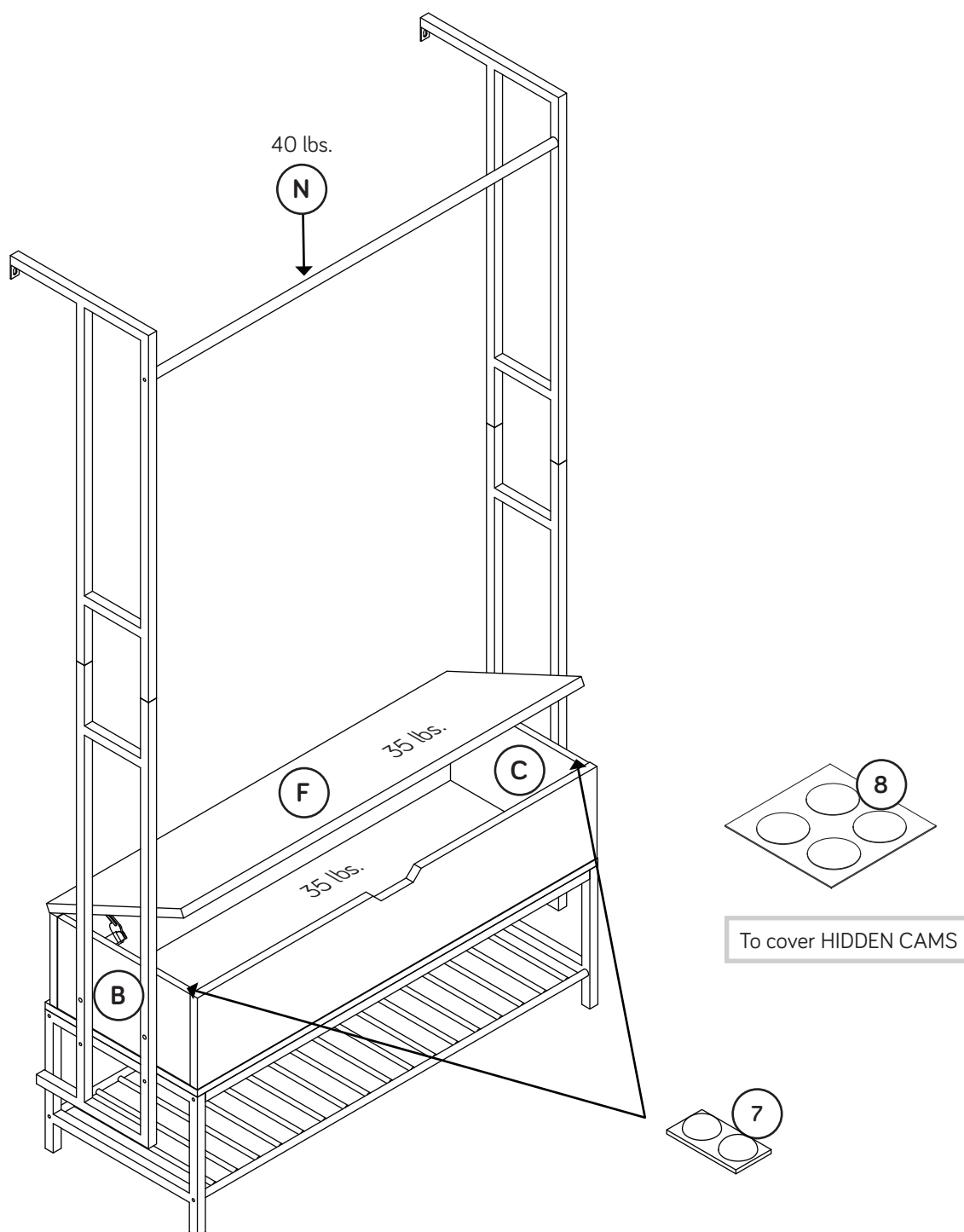
Step 14

- 1st-Carefully stand your unit upright against the wall in its final location. Strike a mark through the center of the hole in the UPPER FRAMES (M). Lay your unit down.
- 2nd-Drill a 5/16" hole on the marks.
- 3rd-While you squeeze the wings together, gently tap two WALL ANCHORS (9) into the holes until they are even with the surface of the wall.
- Stand your unit upright placing the brackets in the UPPER FRAMES (M) over the WALL ANCHORS (9).
- Turn two 2" PAN HEAD SCREWS (15) through the holes in the UPPER FRAMES (M) and into the WALL ANCHORS (9).
- NOTE:** You will need to turn the 2" PAN HEAD SCREWS (13) multiple turns to completely tighten and secure your unit to the wall.



Step 15

- ✂ Peel APPLIQUES from the APPLIQUE CARD (8) and stick them onto each visible HIDDEN CAM.
- ✂ Peel the BUMPERS from the BUMPER CARD (7) and stick them onto the top edges of the ENDS (B, and C) where the TOP (F) comes into contact with the ENDS.
- ✂ NOTE: Please read the back pages of the instruction booklet for important safety information.
- ✂ This completes assembly. Clean with a damp cloth. Wipe dry.



 **WARNING**

Please use your furniture correctly and safely. Improper use can cause safety hazards, or damage to your furniture or household items. Carefully read the following safety information.

Death or serious injury may occur when children climb on furniture. A remote control, toys or other items placed on the furniture may encourage a child to climb on the furniture which could cause it to tip-over and result in serious injury or death.

NEVER allow children to climb on furniture.

NEVER place toys, food, remote, etc. on top of furniture.

ALWAYS use either the safety hardware as instructed or other wall anchoring device.

Placing audio and/or video equipment onto furniture not specifically designed to support audio and/or video equipment may result in death or serious injury due to furniture collapse or tip over.

NEVER place a TV on furniture that is not intended to support a TV.

This product is not designed to support a television unless a TV warning label is included and the instructions specifically state the size and weight of the television.

Overloading drawers and shelves may result in furniture that can break or sag, or tip-over which may result in injury.

NEVER exceed the weight limits shown in the instructions.

Place the heavier items on lower shelves as far back from the front as possible.

Load the bottom surfaces first to avoid top-heavy furniture.

Moving furniture that is not designed to be moved or equipped with casters may result in injury or damage to furnishings or personal property.

ALWAYS unload shelves and drawers, starting with the top surfaces, before moving.

NEVER push or pull furniture on carpet. Have a friend help lift properly to move and/or reposition it.