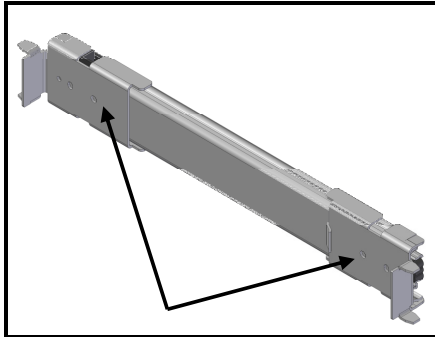
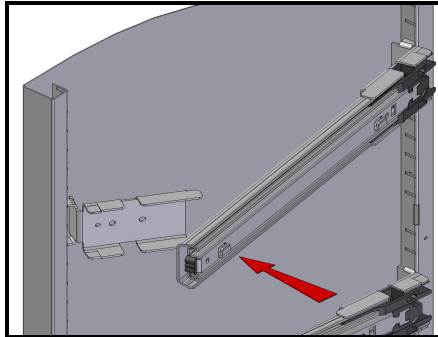


## Fitting of Roll Out Fitments

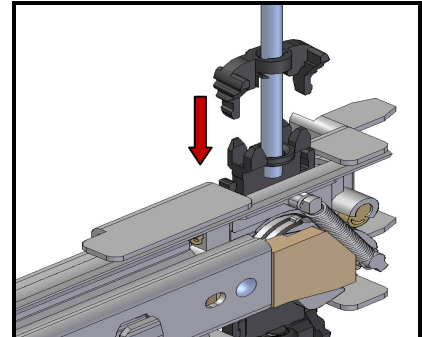
(Standard Cupboards)



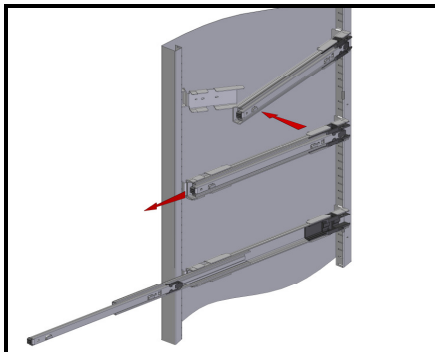
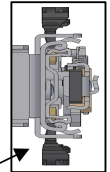
The runners for the roll out fitments attach to the unit on 2 metal brackets which locate into the ladders at the back and front. When fitting the runners ensure you leave enough space beneath for clearance of hanging files



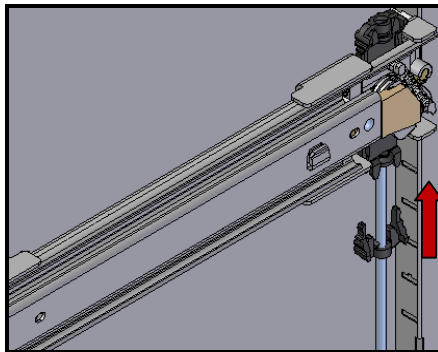
Locate the rear bracket with the runner attached into the slots at the back of the unit so that the runner is angled outwards. Locate a bracket into the front of the unit. Push the front of the runner into the front bracket until it clicks straight.



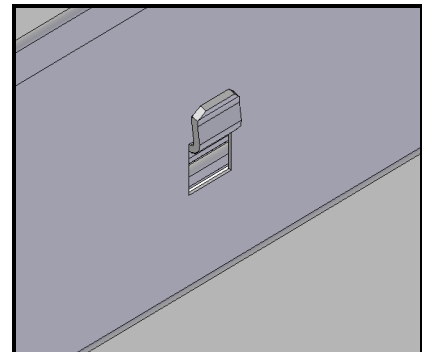
If more than one roll out fitment is to be fitted then the anti tilt mechanism must be fitted for safety reasons. Insert the anti-tilt connector and rod into the top of the rear of the runner as shown. Ensure the flat side of the connector is facing the carcass as shown



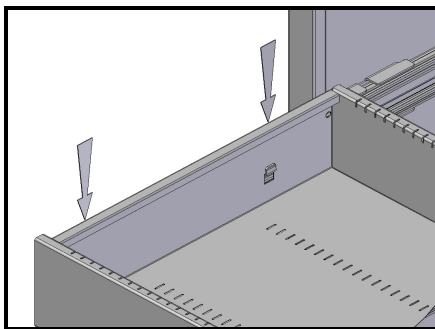
When fitting more than one roll out fitment always start from the bottom and work upwards. Before fitting another set of runners fully extend the previous set.



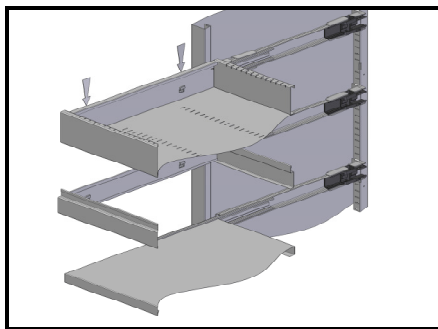
Before fitting the 2nd set of runners insert the anti-tilt connector and the top of the existing rod into the underside of the runners, this gives you the correct height to locate the runners in the unit.



Once all required runners and anti-tilt have been fitted you can attach the fitments. The fitments attach to the runners by 2 metal lugs on each side, front and back.



Fully extend the runners both sides, locate the cutouts in the side of the fitments over the metal lugs on the runners and push down firmly to fit fully into place. Always start from the bottom and work up.



Repeat this until all fitments are in place. If runners and anti-tilt have been fitted correctly only one fitment should roll out at any one time.

*Please note that roll out fitments should only be fitted in the lower half of the unit.*