

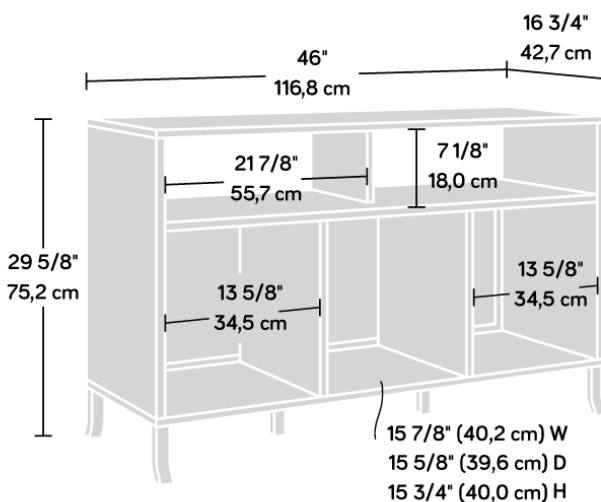
CITY CENTRE TV STAND

PRODUCT SHEET

FURNITURE



- TV stand in a Champagne Oak finish
- Accommodates up to a 50" TV weighing 22.5 kg or less.
- Divided shelving for ample storage
- Lower storage cubbies
- Perforated metal back
- Satin taupe metal feet



Width	116.8 cm
Depth	42.7 cm
Height	75.2 cm
Carton Height	132.5 cm
Carton Width	54.1 cm
Carton Depth	17 cm
Box Volume	0.122 cbm
Weight (gross)	36.5 kg

N.B: All measurements are approximate