

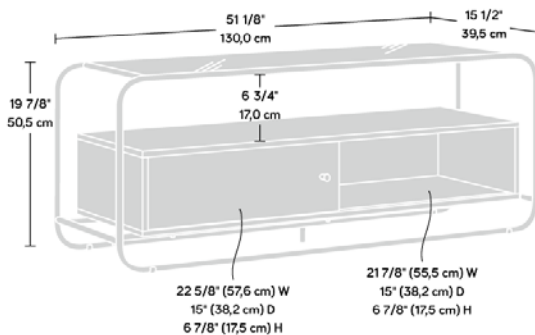
## METRO TV STAND

### PRODUCT SHEET

#### FURNITURE



- TV stand in Misted Elm finish
- Accommodates up to a 50" TV weighing up to 22.5 kg
- Stylish safety-tempered black silk-screened glass top
  - Open shelving for storage
- Divided lower shelving area with sliding door for further storage
  - Powder coated metal frame for durability



Width	130 cm
Depth	39.5 cm
Height	50.5 cm
Carton Height	148.7 cm
Carton Width	60.7 cm
Carton Depth	11.5 cm
Box Volume	0.105 cbm
Weight (gross)	26.5 kg

N.B: All measurements are approximate