

It **stands**. You sleep.

Storage Cabinet

Elstree | **Model 5426909**

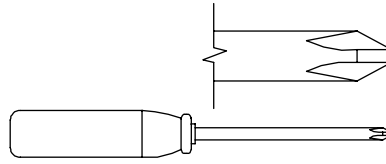
NOTE: THIS INSTRUCTION BOOKLET CONTAINS **IMPORTANT** SAFETY INFORMATION.

PLEASE READ AND KEEP FOR FUTURE REFERENCE.

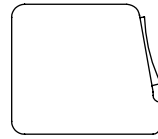
Table of Contents

Assembly Tools Required

Part Identification	3
Hardware Identification	4
Assembly Steps	5-21
Français	22-25
Español	26-29
Safety	30
Warranty	31



No. 2 Phillips Screwdriver
Tip Shown Actual Size



Tape Measure

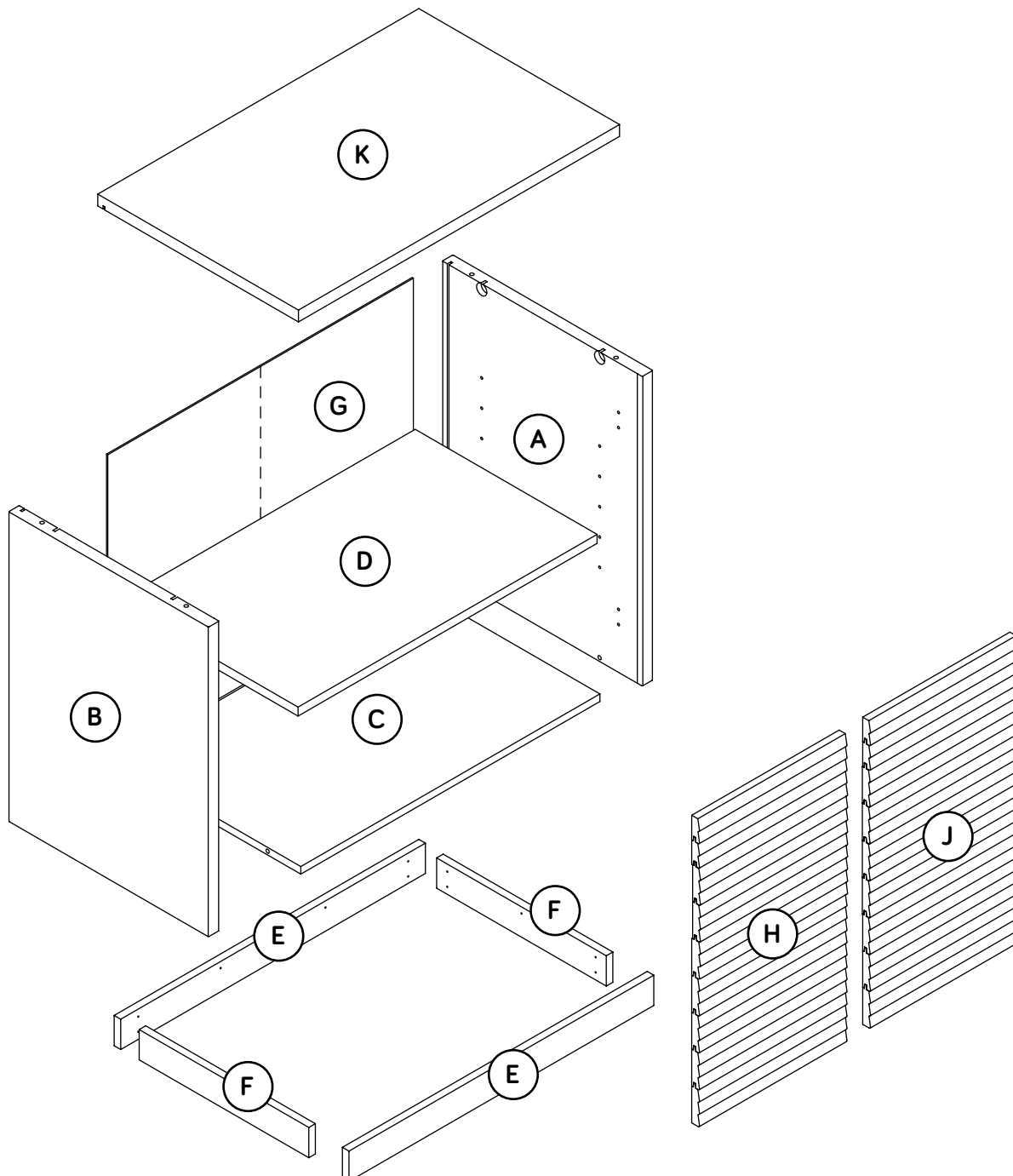
Part Identification

Now you know
our ABCs.



⚠ While not all parts are labeled, some of the parts will have a label or an inked letter on the edge to help distinguish similar parts from each other. Use this part identification to help identify similar parts.

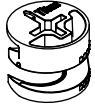
A	RIGHT END (1)	E	LARGE BASE (2)	J	RIGHT DOOR (1)
B	LEFT END (1)	F	SMALL BASE (2)	K	TOP (1)
C	BOTTOM (1)	G	BACK (1)		
D	ADJUSTABLE SHELF (1)	H	LEFT DOOR (1)		



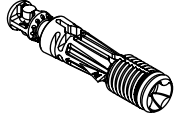
Hardware Identification

† Screws are shown actual size. You may receive extra hardware with your unit.

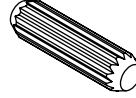
1F HIDDEN CAM - 4



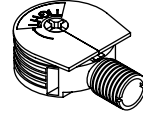
2F CAM DOWEL - 4



15F WOOD DOWEL - 4



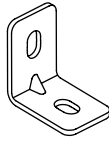
36F TWIST-LOCK® FASTENER - 4



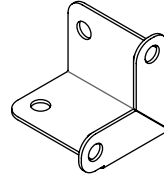
39F BACK CONNECTOR - 8



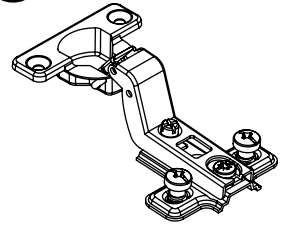
4G METAL BRACKET - 6



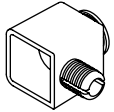
31G CORNER BRACKET - 4



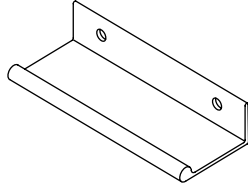
14H HINGE - 4



4I DOOR STOP - 2



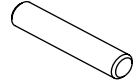
189K PULL - 2



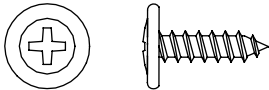
2R RUBBER SLEEVE - 4



1R METAL PIN - 4



1S BLACK 9/16" LARGE HEAD SCREW - 40



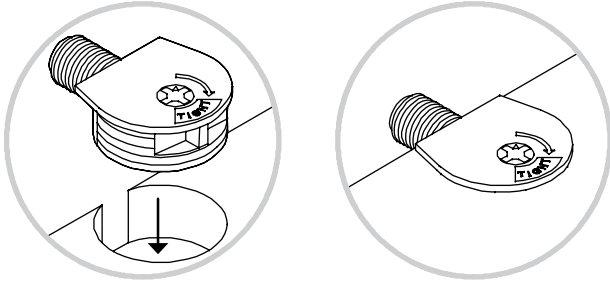
11S BLACK 1/2" FLAT HEAD SCREW - 8



Hardware Usage Guide

HOW TO USE A TWIST-LOCK® FASTENER

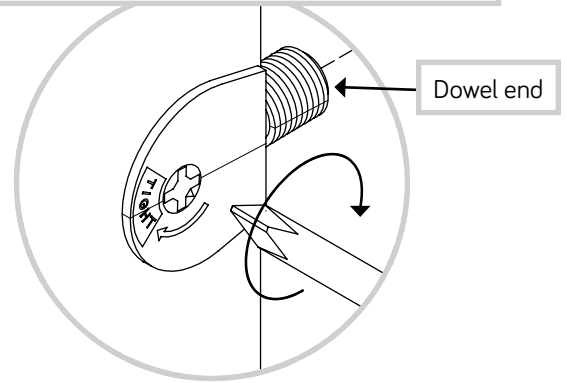
1. Push a TWIST-LOCK® FASTENER into the large hole in the part.



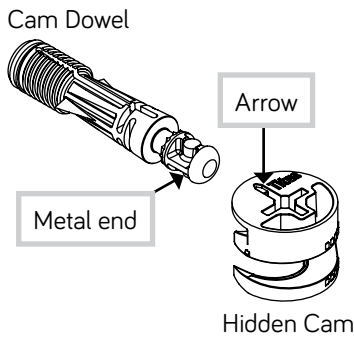
2. 1. Insert the dowel end of the FASTENER into the hole of the adjoining part.

NOTE: The dowel end of the FASTENER must remain fully inserted in the hole of the adjoining part while locking the FASTENER.

2. Tighten the FASTENER with a Phillips screwdriver as tight as possible.

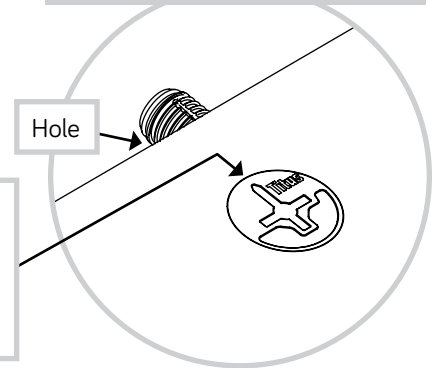


HOW TO USE A HIDDEN CAM & CAM DOWEL

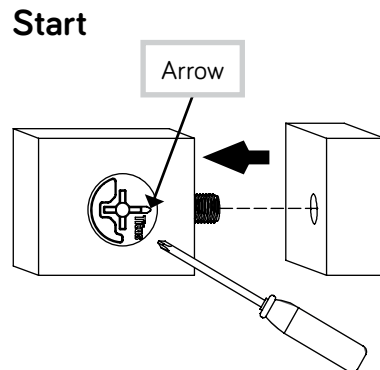


2. Insert the metal end of the CAM DOWEL into the HIDDEN CAM.

1. Push a HIDDEN CAM into the part. The arrow in the HIDDEN CAM must point toward the hole in the edge of the board.



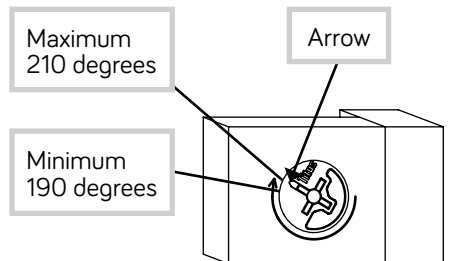
3. **Caution**
Risk of damage or injury. HIDDEN CAMS must be completely tightened. HIDDEN CAMS that are not completely tightened may loosen, and parts may separate. To completely tighten:



Tighten

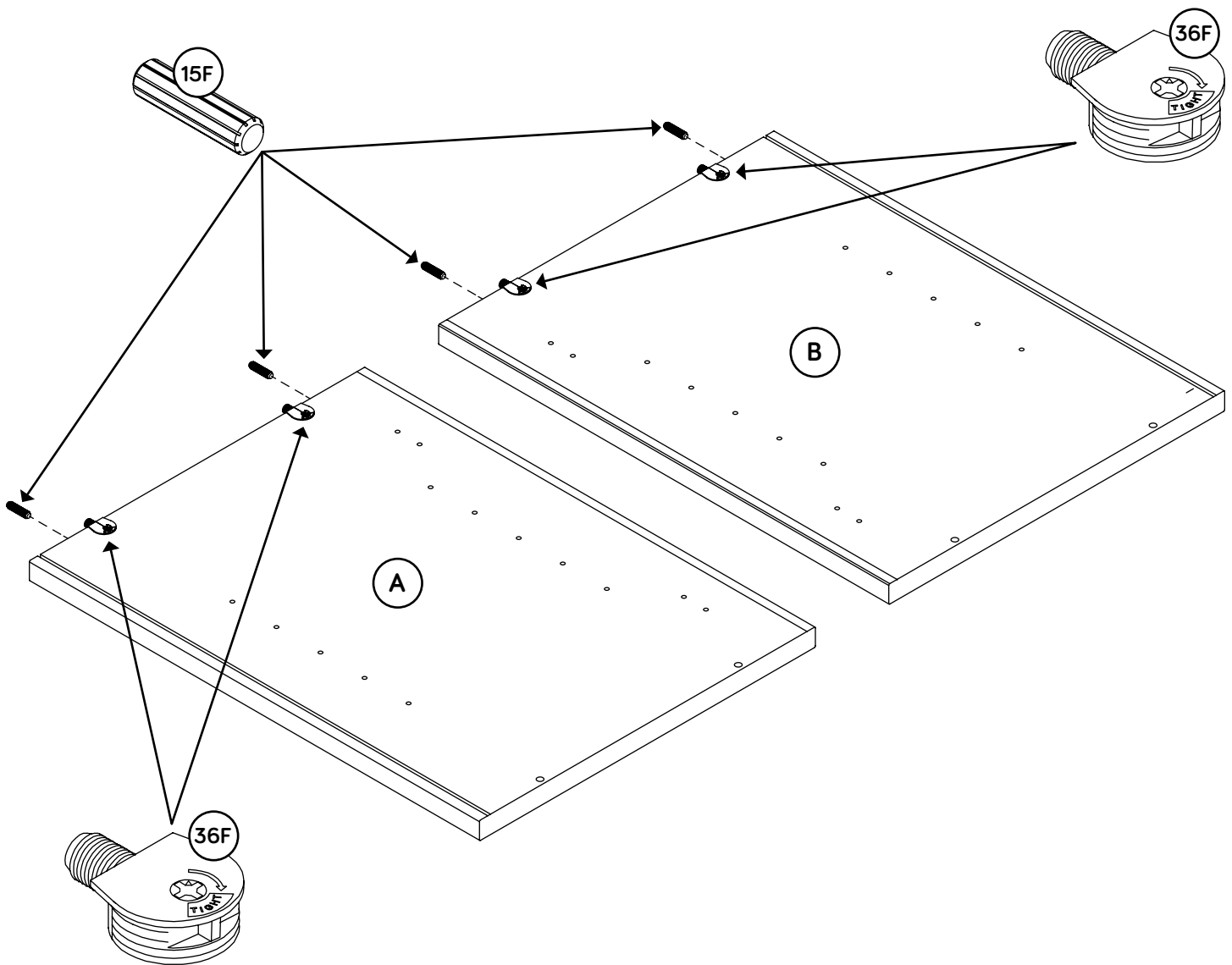
Maximum 210 degrees

Minimum 190 degrees



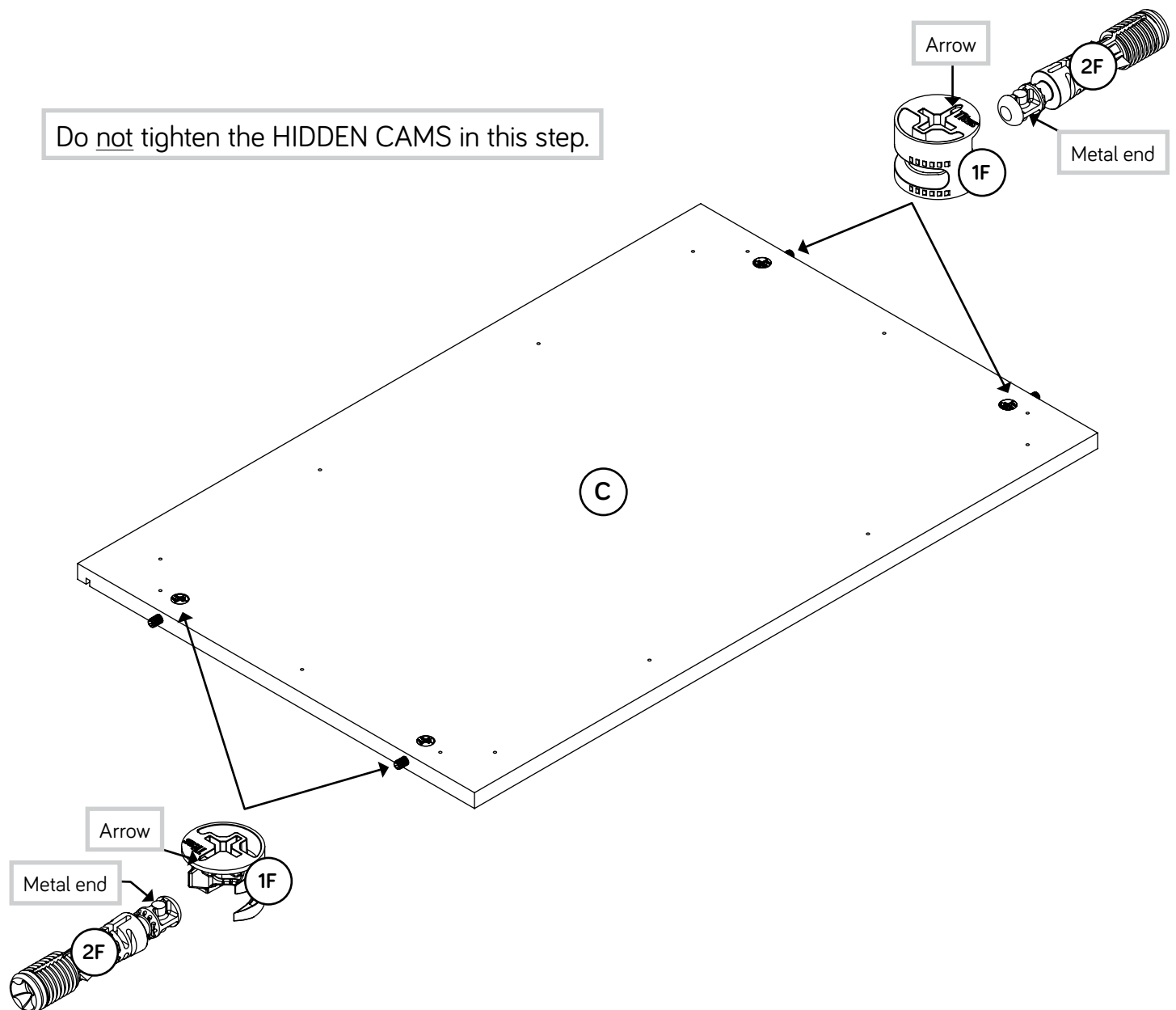
Step 1

- ✚ Assemble your unit on a carpeted floor or on the empty carton to avoid scratching your unit or the floor.
- ✚ Push four TWIST-LOCK FASTENERS (36F) into the large holes in the ENDS (A and B).
- ✚ Insert four WOOD DOWELS (15F) into the ENDS (A and B) using the exact holes shown.



Step 2

- Push four HIDDEN CAMS (1F) into the BOTTOM (C).
Then, insert the metal end of a CAM DOWEL (2F) into each HIDDEN CAM.



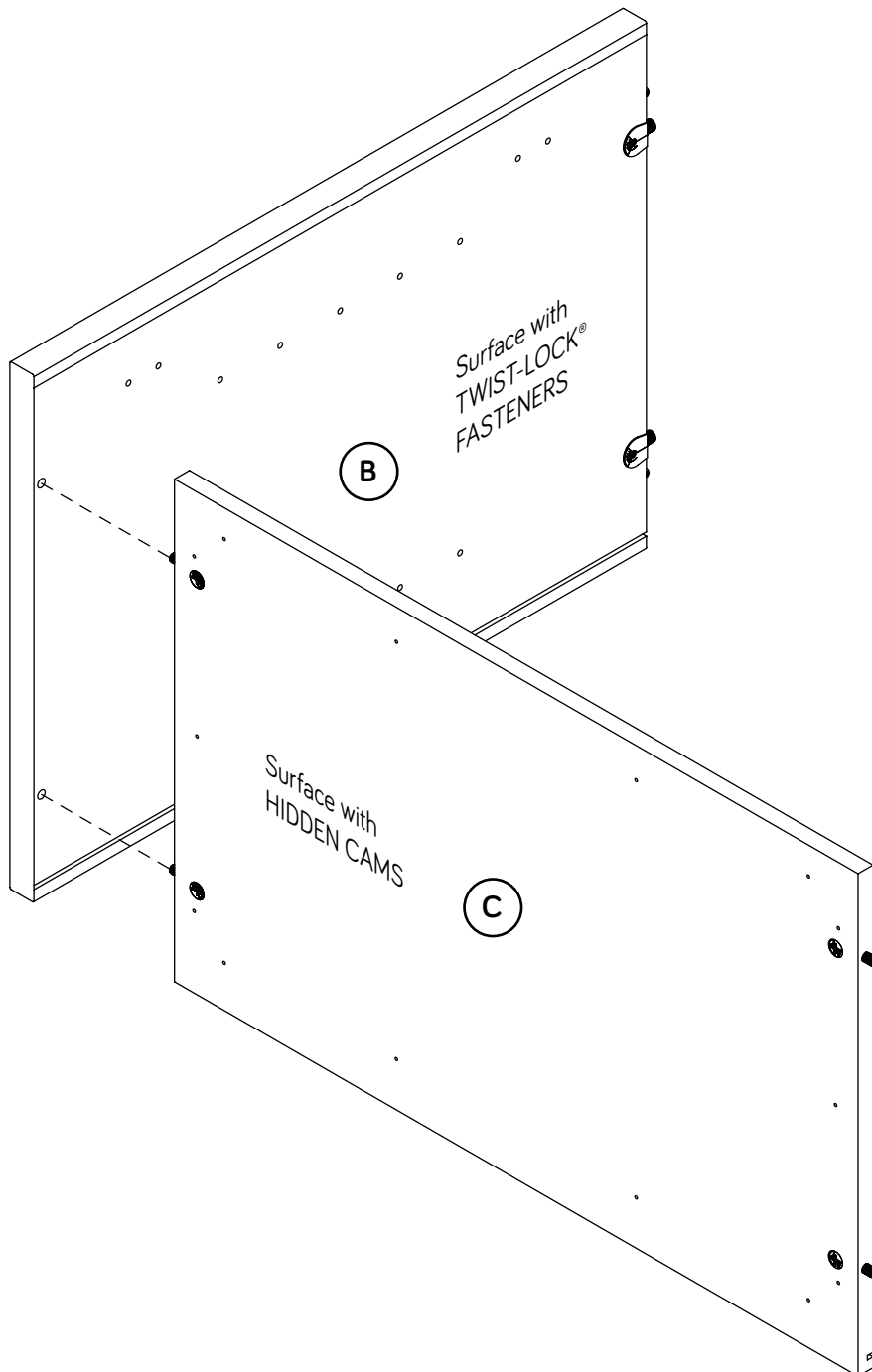
Step 3

- Fasten the BOTTOM (C) to the LEFT END (B). Tighten two HIDDEN CAMS.



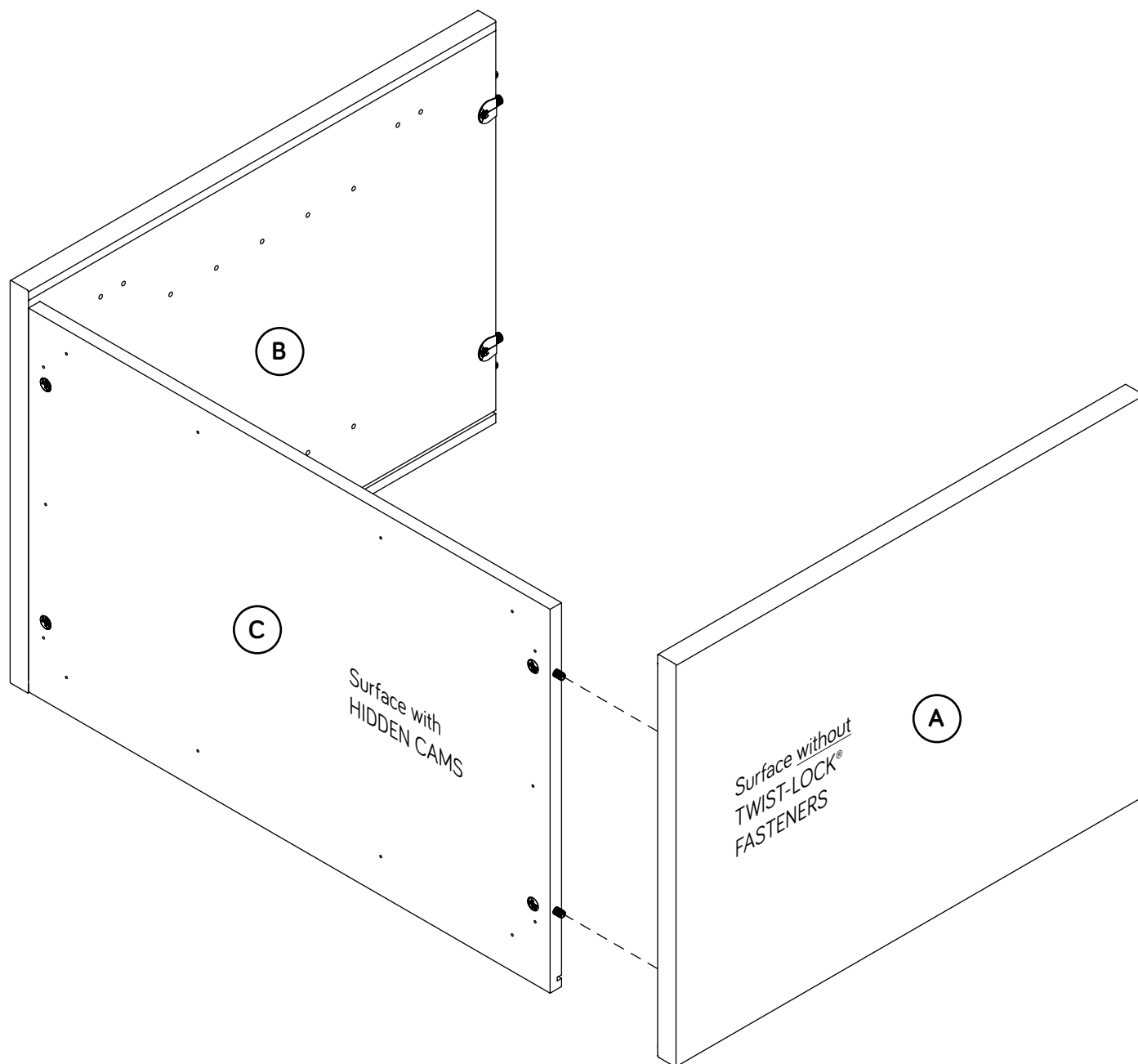
Caution

Do not stand the unit upright without the BACK fastened. The unit may collapse.



Step 4

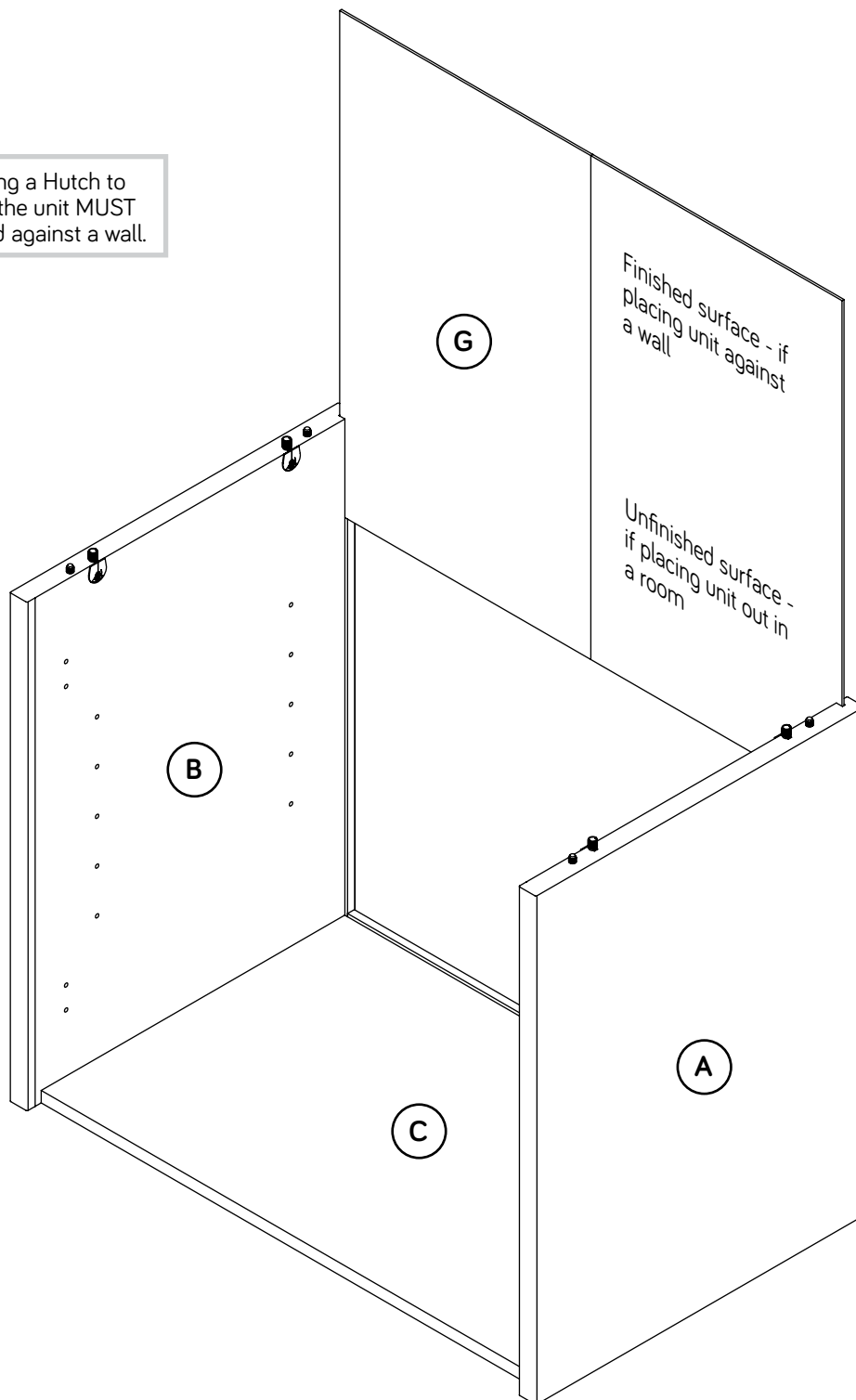
- Fasten the RIGHT END (A) to the BOTTOM (C). Tighten two HIDDEN CAMS.



Step 5

- ✚ Carefully stand unit upright.
- ✚ Slide the BACK (G) into the grooves in the ENDS (A and B) and the BOTTOM (C).

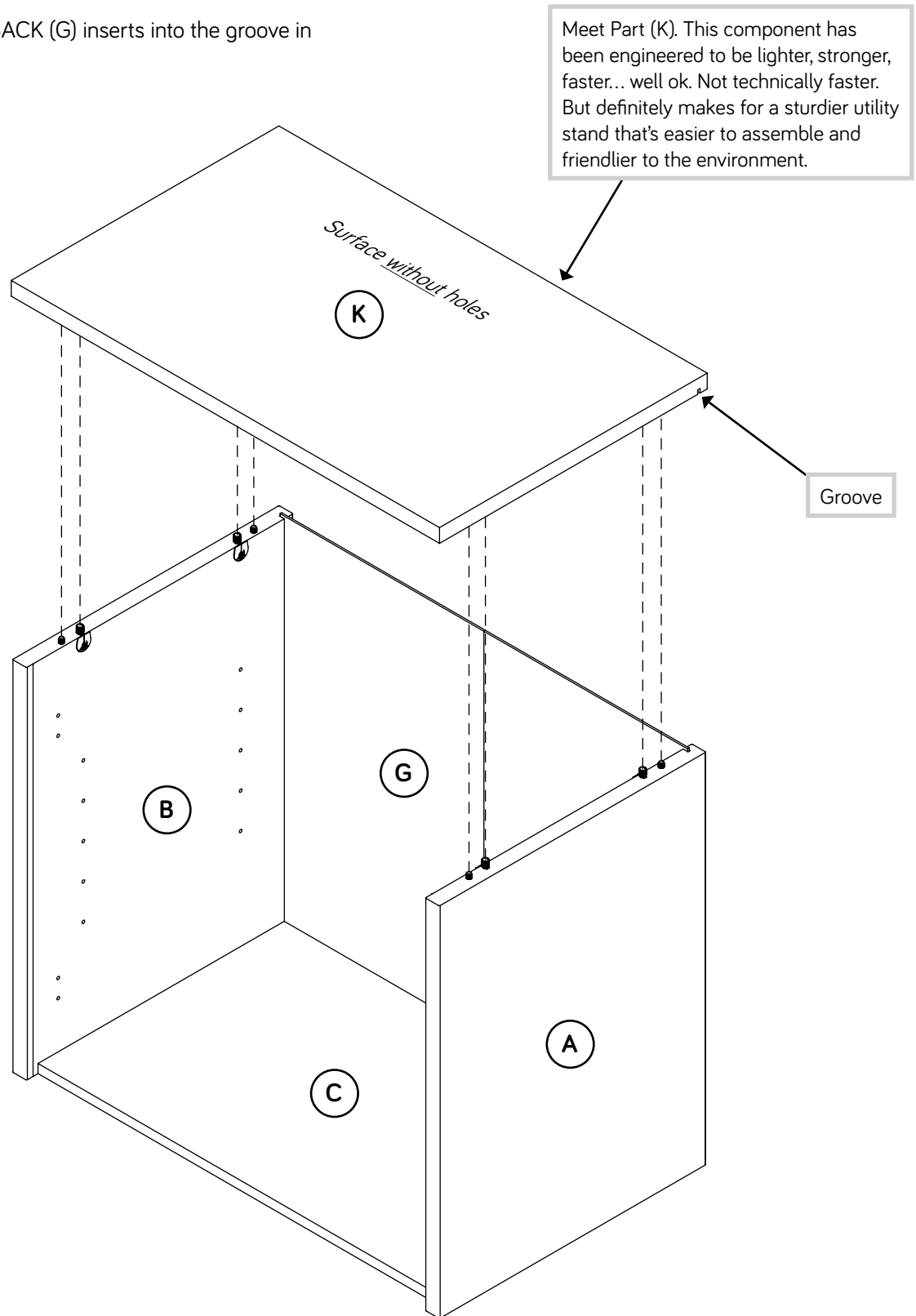
If fastening a Hutch to this unit, the unit **MUST** be placed against a wall.



Step 6

✚ Fasten the TOP (K) to the ENDS (A and B). Tighten four TWIST-LOCK FASTENERS.

✚ NOTE: Be sure the BACK (G) inserts into the groove in the TOP (K).

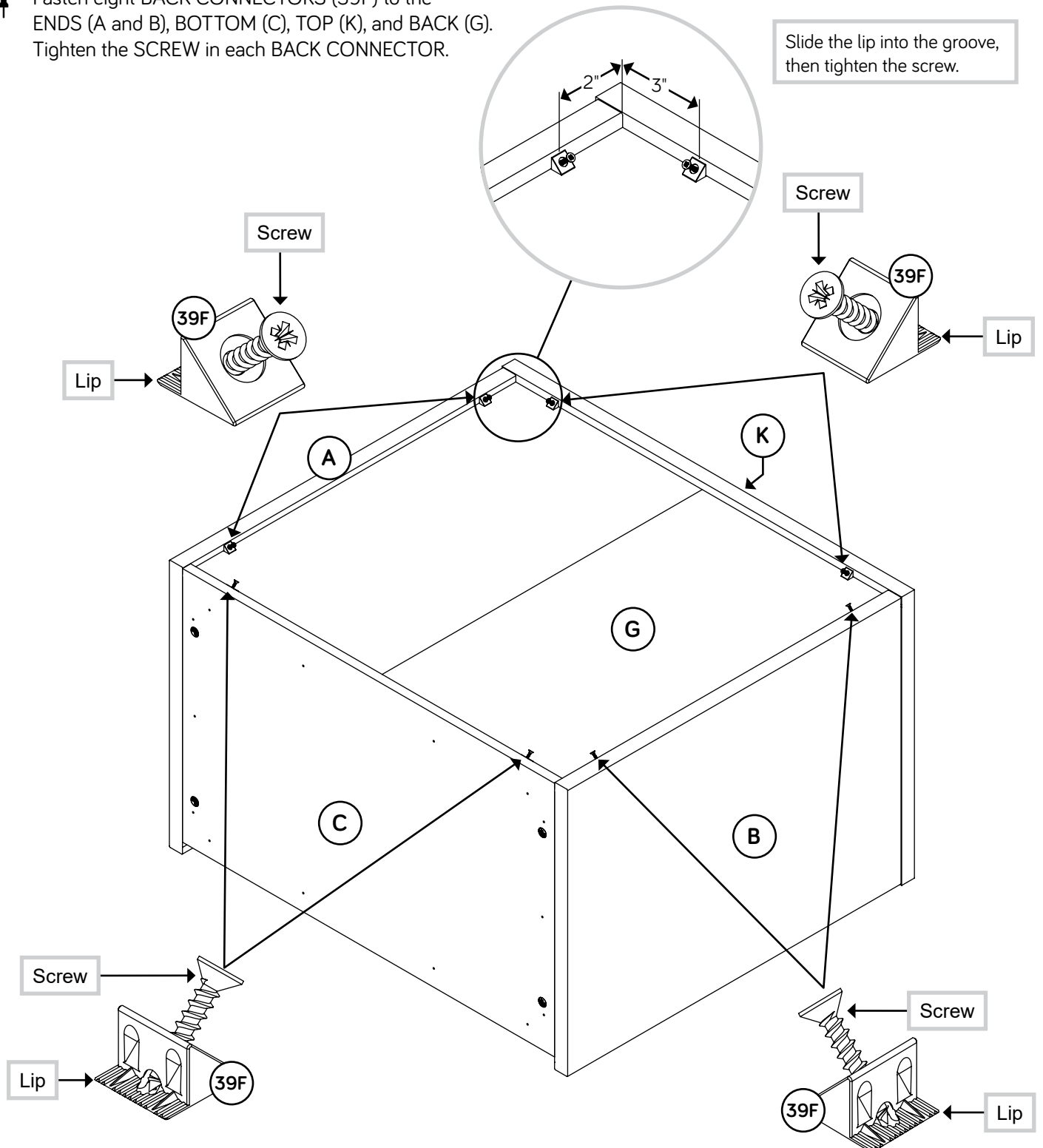


Step 7

- ✦ If you are not placing this unit against a wall, skip this step and go straight to Step 8.
- ✦ Carefully turn your unit onto its front edges.
- ✦ Fasten eight BACK CONNECTORS (39F) to the ENDS (A and B), BOTTOM (C), TOP (K), and BACK (G). Tighten the SCREW in each BACK CONNECTOR.

Use two BACK CONNECTORS per side. 2-3" in from each corner.

Slide the lip into the groove, then tighten the screw.

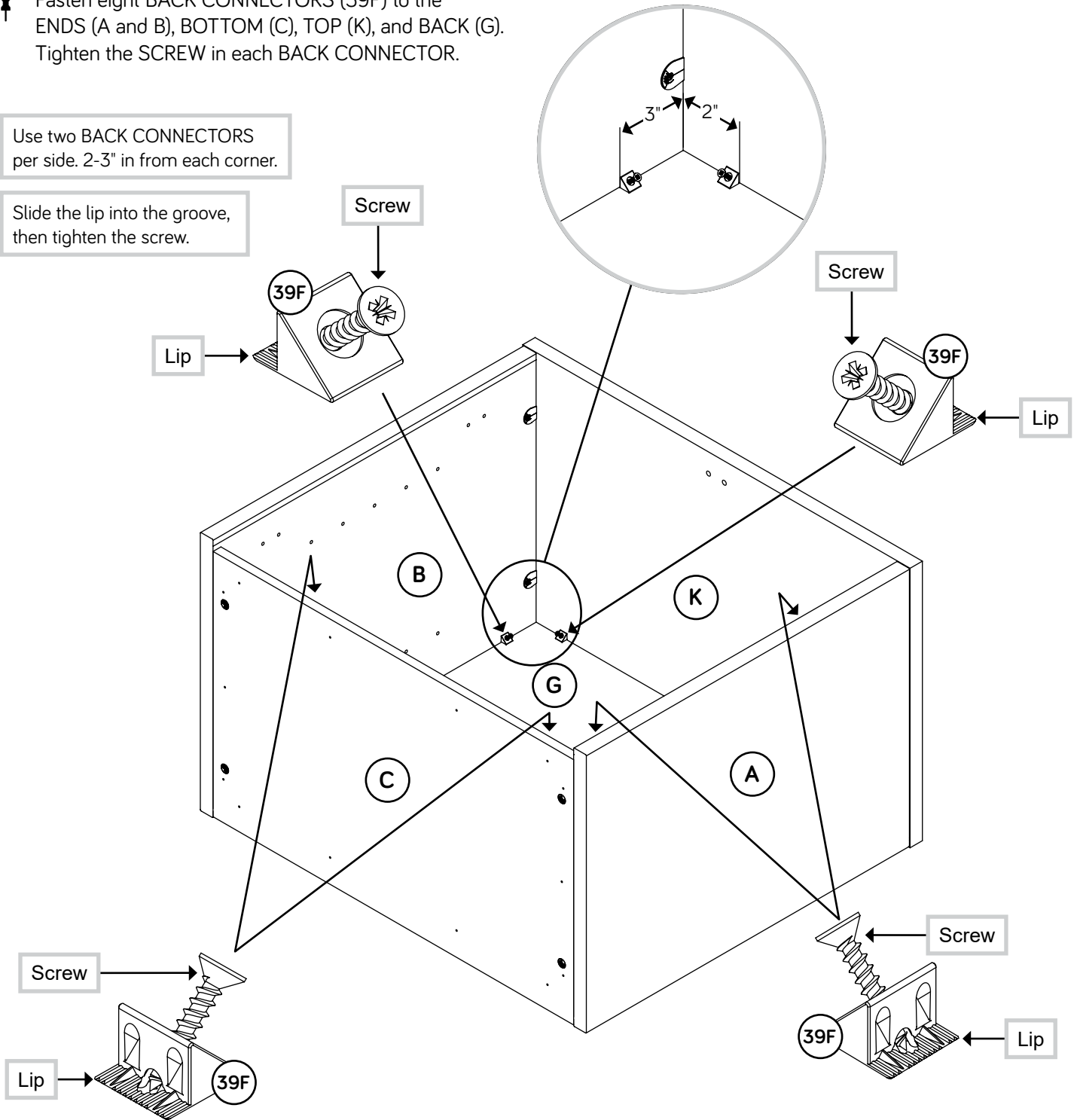


Step 8

- ✦ Carefully turn your unit onto its back edges.
- ✦ Fasten eight BACK CONNECTORS (39F) to the ENDS (A and B), BOTTOM (C), TOP (K), and BACK (G). Tighten the SCREW in each BACK CONNECTOR.

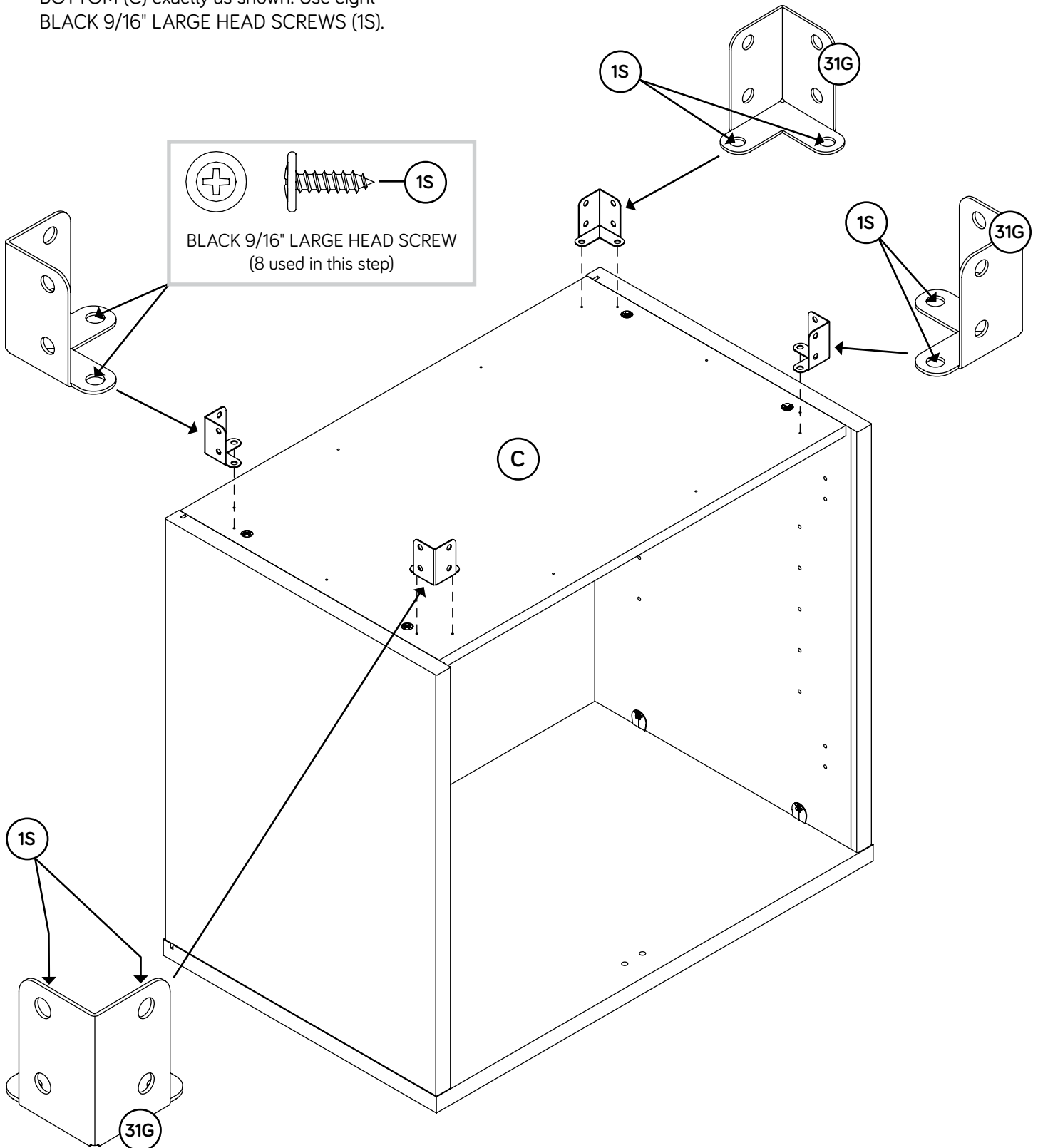
Use two BACK CONNECTORS per side. 2-3" in from each corner.

Slide the lip into the groove, then tighten the screw.



Step 9

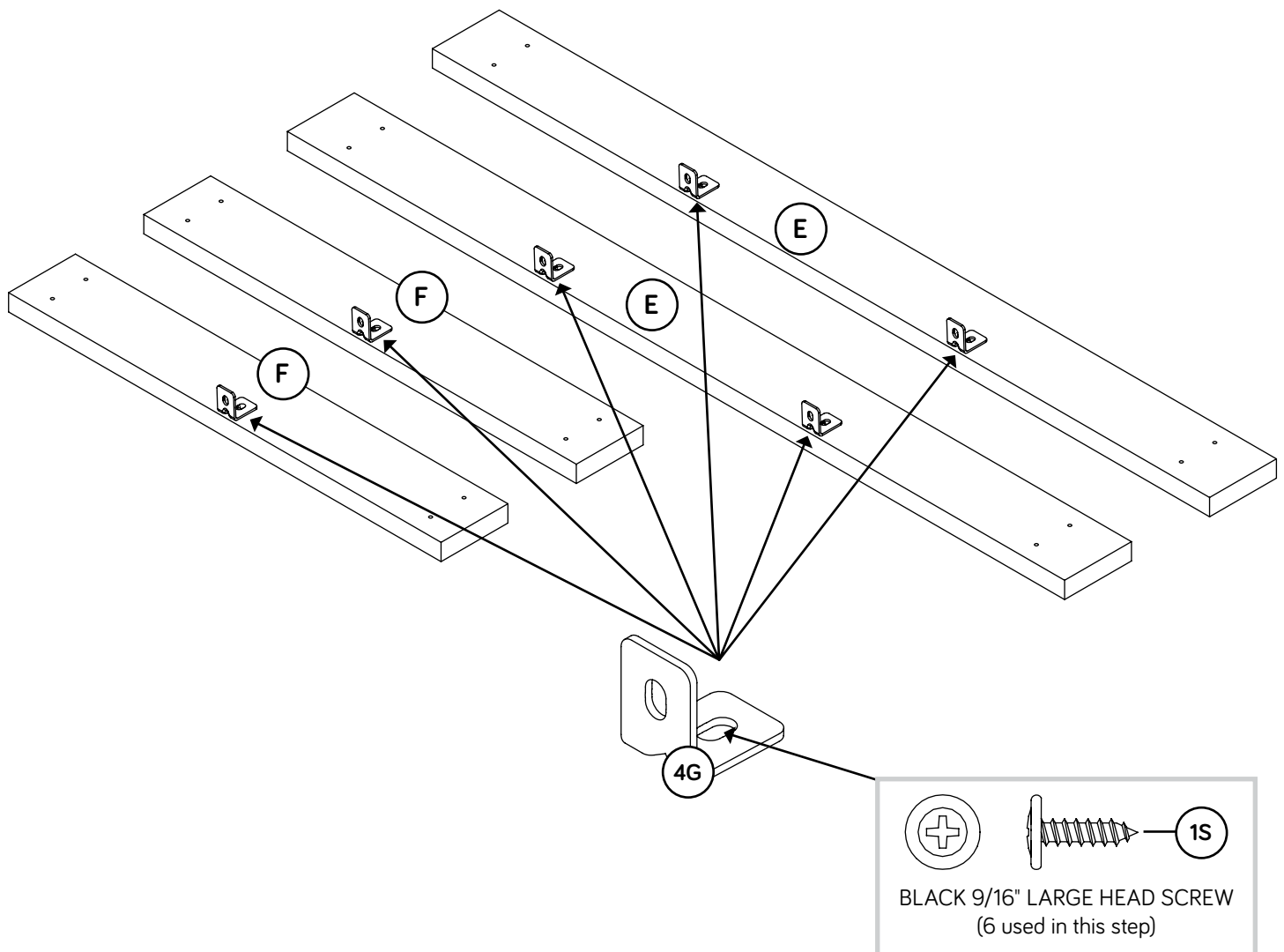
- ✦ Carefully set your unit on its top.
- ✦ Fasten four CORNER BRACKETS (31G) to the BOTTOM (C) exactly as shown. Use eight BLACK 9/16" LARGE HEAD SCREWS (1S).



Step 10

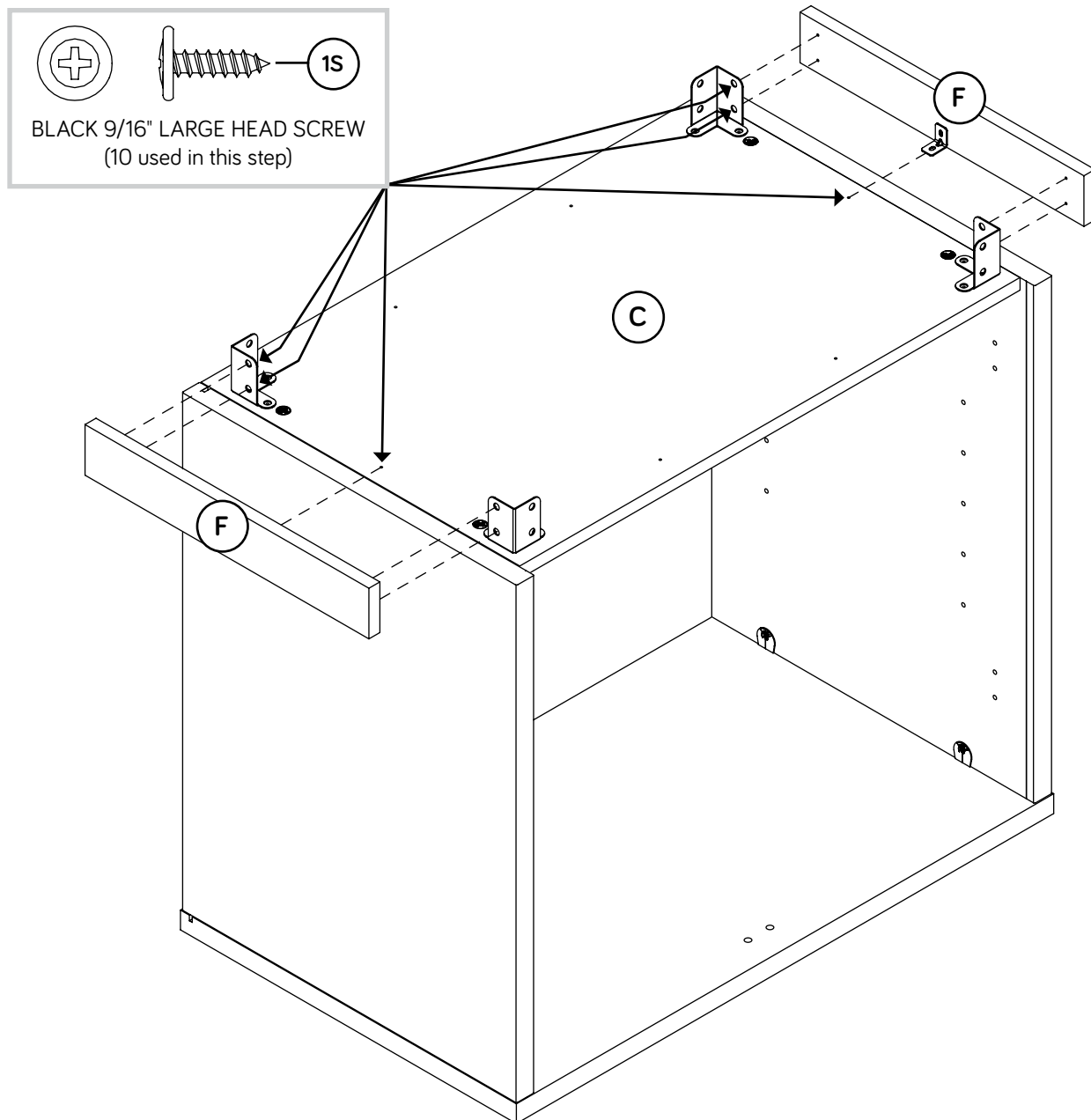
Fasten six METAL BRACKETS (4G) to the LARGE BASES (E) and SMALL BASES (F). Use six BLACK 9/16" LARGE HEAD SCREWS (1S).

NOTE: Be sure the BRACKETS are even with the edges of the LARGE BASES and SMALL BASES.



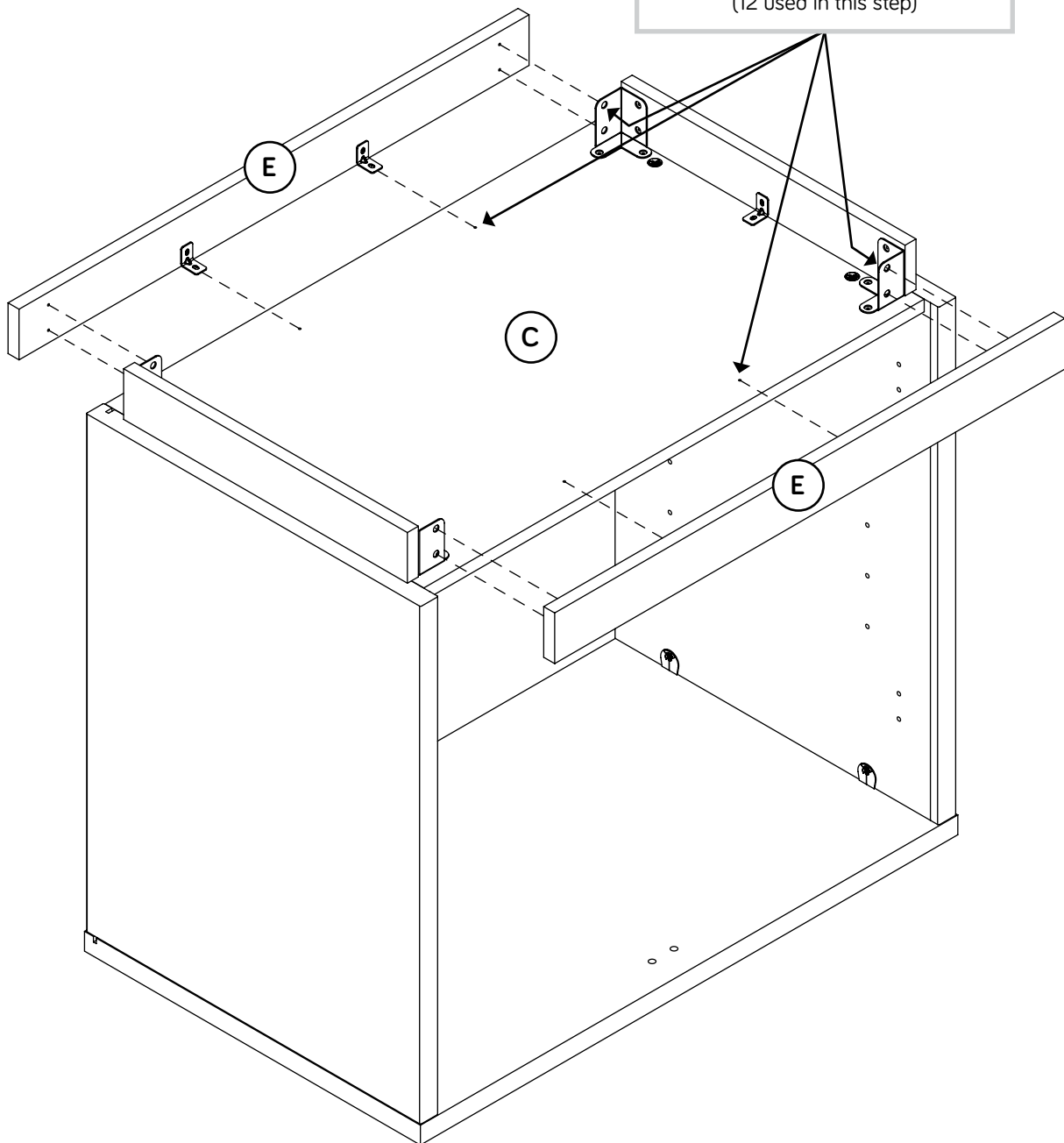
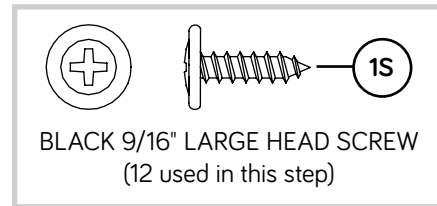
Step 11

- ✚ Fasten the SMALL BASES (F) to the BOTTOM (C). Use two BLACK 9/16" LARGE HEAD SCREWS (1S) through the METAL BRACKETS on the SMALL BASES and into the BOTTOM.
- ✚ Fasten the SMALL BASES (F) to the CORNER BRACKETS. Use eight BLACK 9/16" LARGE HEAD SCREWS (1S) through the CORNER BRACKETS and into the SMALL BASES.
- ✚ **NOTE:** You should start each SCREW a few turns before completely tightening any of them.



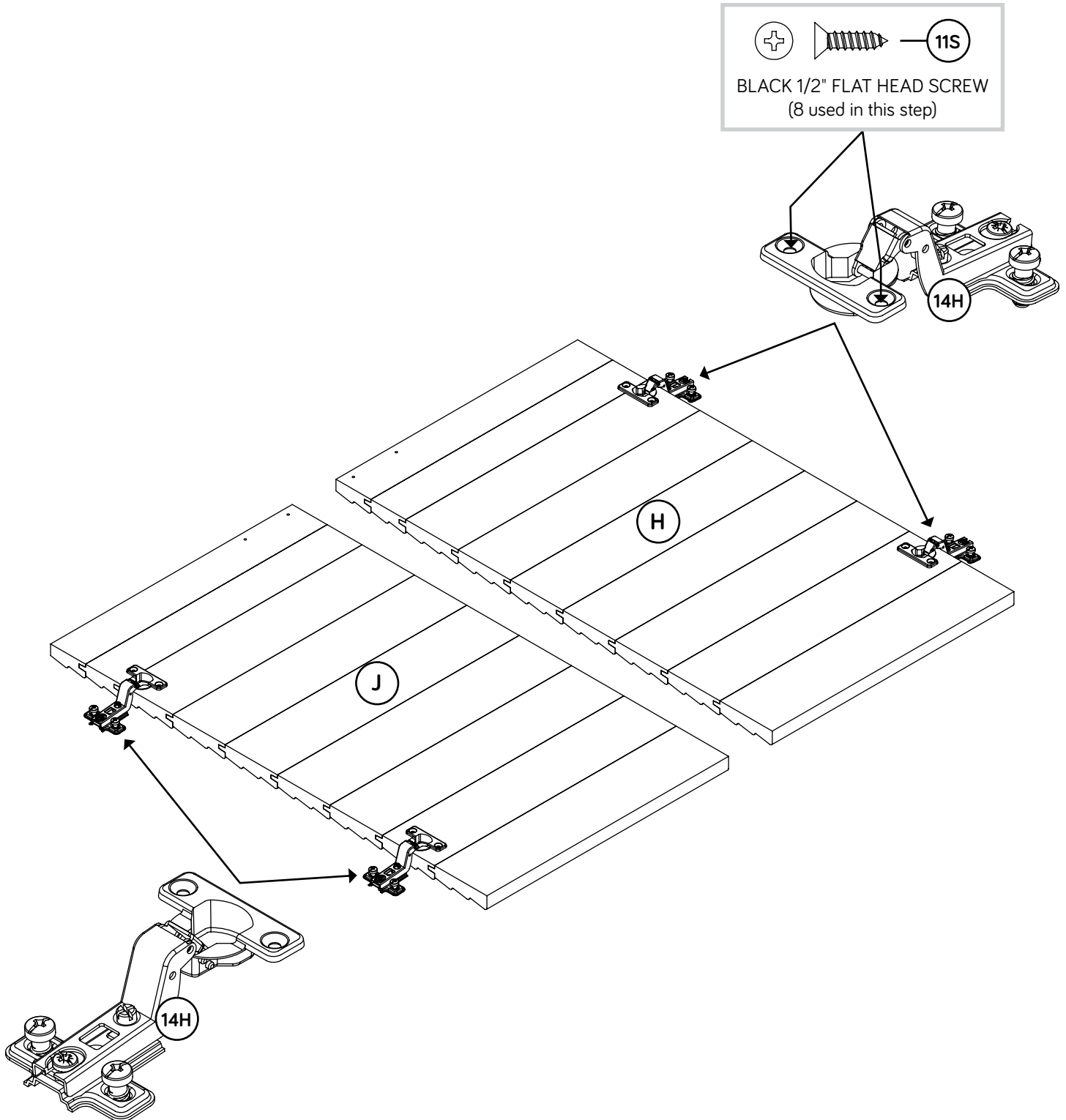
Step 12

- Fasten the LARGE BASES (E) to the BOTTOM (C). Use four BLACK 9/16" LARGE HEAD SCREWS (1S) through the METAL BRACKETS on the SMALL BASES and into the BOTTOM.
- Fasten the LARGE BASES (E) to the CORNER BRACKETS. Use eight BLACK 9/16" LARGE HEAD SCREWS (1S) through the CORNER BRACKETS and into the LARGE BASES.



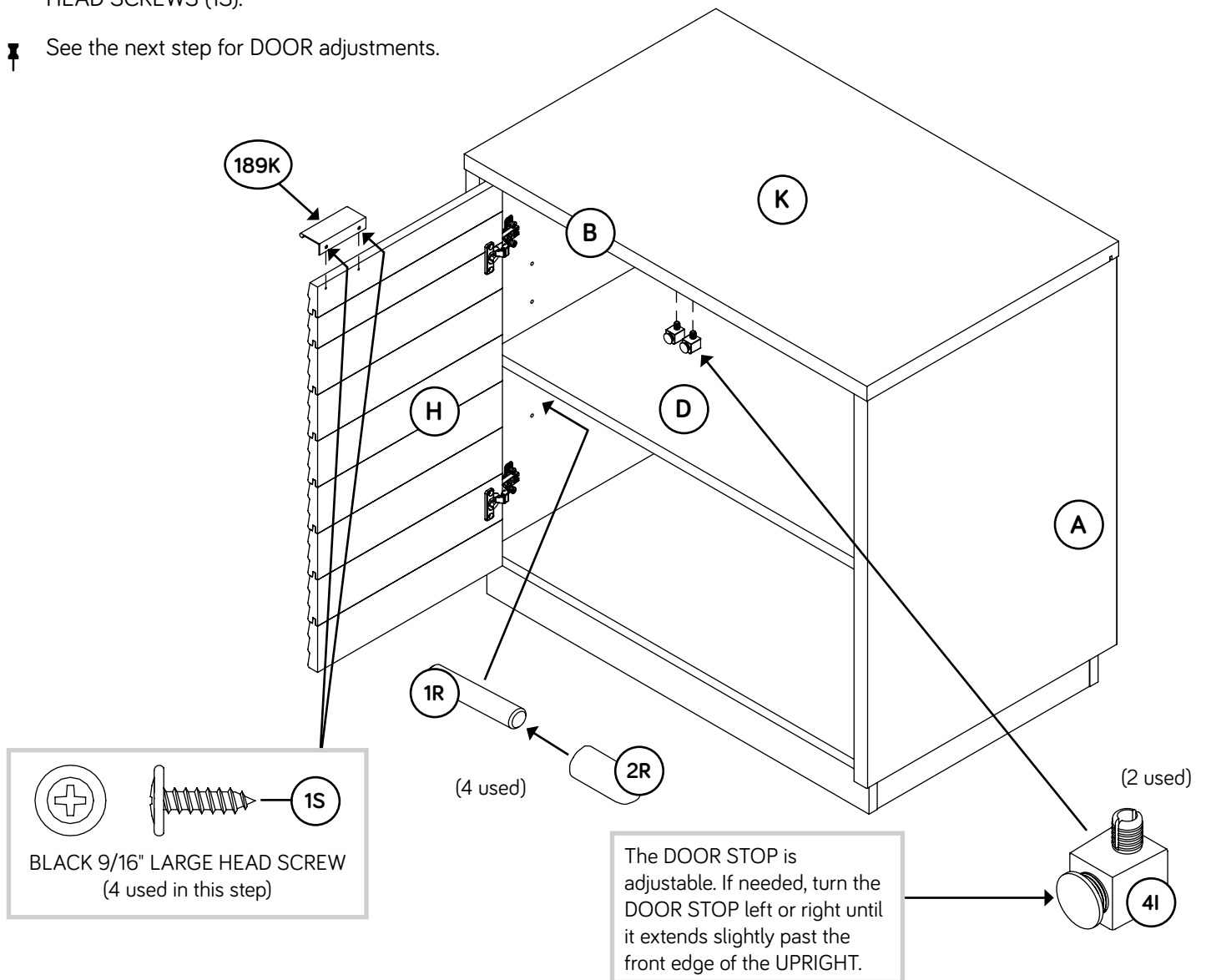
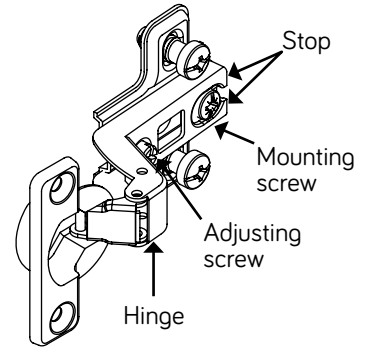
Step 13

- Fasten two HINGES (14H) to each of the DOORS (H and J).
Use eight BLACK 1/2" FLAT HEAD SCREWS (11S).



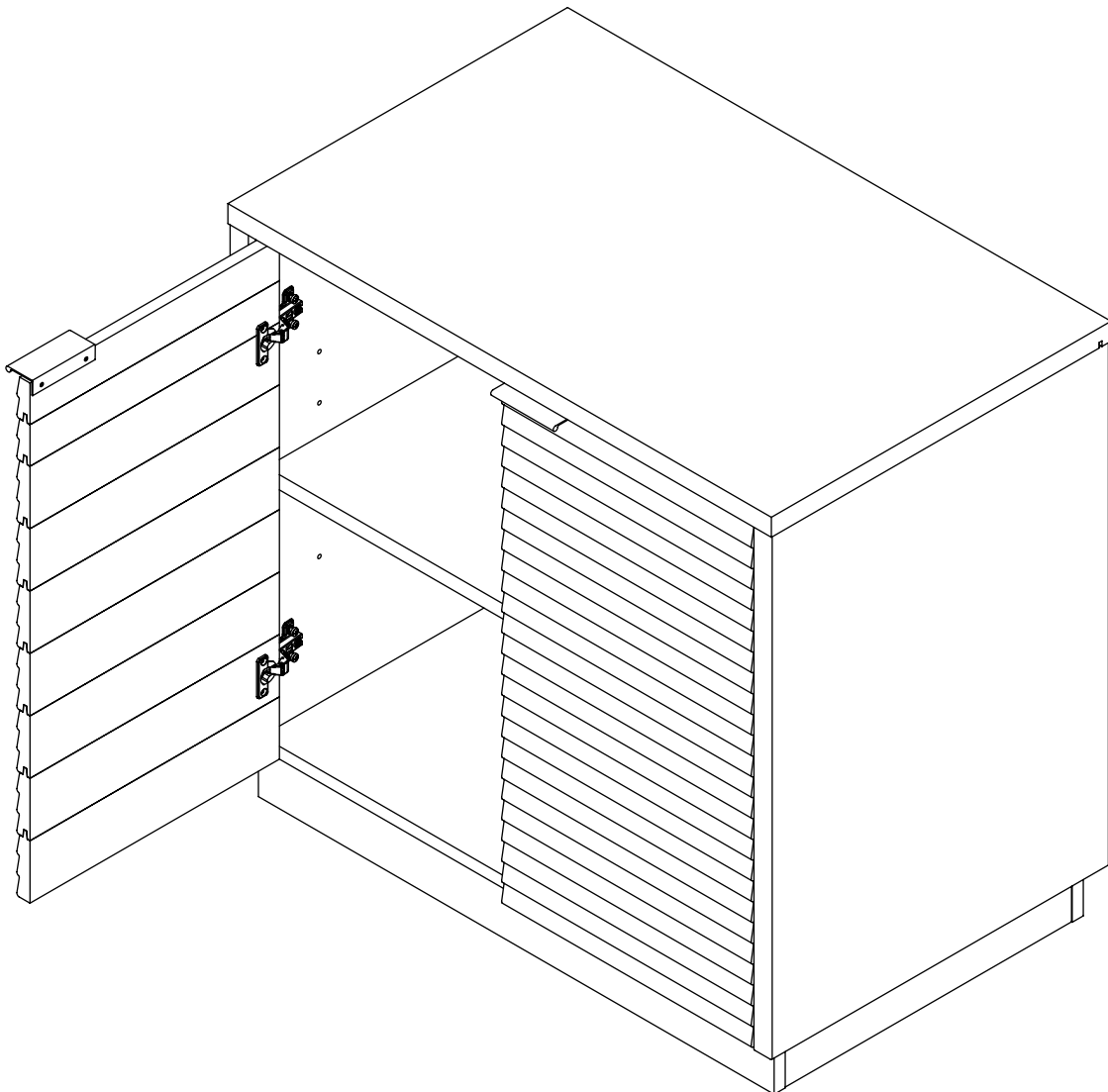
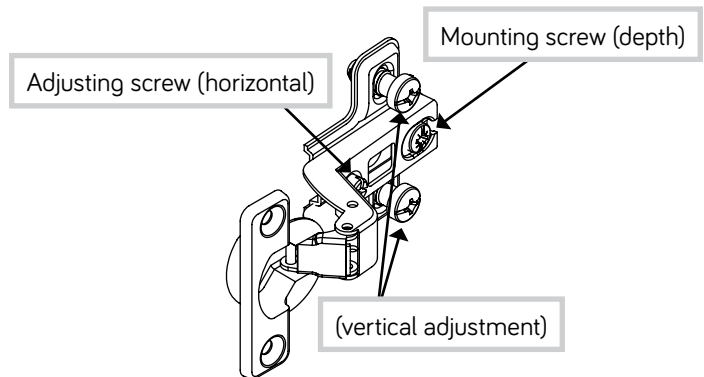
Step 14

- ✦ Carefully stand your unit upright.
- ✦ Push the RUBBER SLEEVES (2R) over the METAL PINS (1R). Insert the METAL PINS (1R) into the hole locations of your choice in the ENDS (A and B). Set the ADJUSTABLE SHELF (D) onto the METAL PINS.
- ✦ Push two DOOR STOPS (4I) into the holes in the TOP (K).
- ✦ Before fastening the DOOR to your unit, be sure the mounting screw is against the stops as shown in the right diagram. If it isn't, loosen the adjusting screw and mounting screw to slide it against the stops. Then tighten the mounting screw.
- ✦ Fasten the LEFT DOOR (H) to the LEFT END (B) as shown in the lower diagram. Use the screws in the HINGES. You should start each SCREW a few turns before completely tightening any of them. Repeat for the RIGHT DOOR (J).
- ✦ Fasten a PULL (189K) to each of the DOORS (H and J). Use four BLACK 9/16" LARGE HEAD SCREWS (1S).
- ✦ See the next step for DOOR adjustments.



Step 15

- ✚ Refer to the enlarged diagram to identify the parts on the HINGES.
- ✚ The DOORS may need some adjustments. Follow the text below to make needed adjustments.
- ✚ DOOR ADJUSTMENTS:
To adjust the DOORS from side to side (horizontal), turn the adjusting screw in or out.
- ✚ To adjust the DOORS up and down (vertical), loosen both vertical adjustment screws. Move the DOORS up or down to the desired location. Tighten the screws after making adjustments.
- ✚ To adjust the DOORS in or out (depth), loosen the mounting screw one turn and move the DOORS in or out, as needed. Tighten the mounting screw after making adjustments.



Step 16

- ⚠ NOTE: Please read the back pages of the instruction booklet for important safety information.
- ⚠ This completes assembly. Clean with a damp cloth. Wipe dry.

