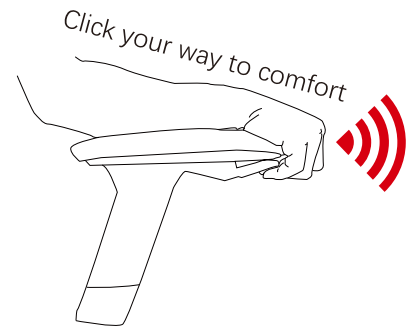


Dynamic Office Solutions  
User Manual  
ErgoClick+  
ErgoClick  
ErgoTwist



Please read the guide carefully before using



#### **Paddle Shift Armrests :**

The click functions on this chair make it convenient for users to adjust without changing the sitting position.

#### **Adjustment Instruction:**

Seat Height Adjustment

Pressing up on the paddle under the right armrest will adjust the height of the seat.



#### Adjustment Instruction:

##### Backrest Tilt Adjustment

Adjusting the backrest is easy. Simply lean back, apply pressure on the backrest and then click and release on the left paddle. This will unlock the backrest for you to choose your ideal seating position. Once you have chosen your position click and release the left paddle again to lock the backrest in position.

Designed with a safety tilting lock. Users will need to apply body weight pressure to unlock the backrest. Please ensure the paddle shift is released after use to avoid any functions being affected.

## > Index



**01**

◆ General Information

◆ Construction

**02**

◆ User Guide for ErgoClick Plus

**06**

◆ User Guide for ErgoClick

**10**

◆ User Guide for ErgoTwist

**13**

◆ Care & Maintenance

◆ Tips of Analysis & Eliminating of Problems

◆ Warranty Terms & Conditions

**14**

◆ Assembling Instruction

# General Information

- 1.Application  
It is applied for all series of ErgoClick Plus, ErgoClick, ErgoTwist.
- 2.Application:  
Ergonomic chair, designed for any home & office space.
- 3.Applicable Scope  
This chair should only be used indoors and not in damp or wet environments
- 4.Quality Standard  
The Standard of the office chair: ANSI/BIFMA X 5.1-2017
- 5.Quality Grade: Qualified Product
- 6.Notice
  - ◆ Use this product only for seating one person at a time.
  - ◆ Do not stand on this chair. Do not use this chair as a ladder.
  - ◆ At least every 4 months check all bolts and screws are tight.
  - ◆ If parts are damaged, missing or broken stop use of this product until repairs are made using factory authorized parts.
  - ◆ Failure to follow these warnings could result in serious injury and will invalidate warranty.

## Construction

- 1.Mesh Backrest: Nylon reinforced with fiberglass frame, with woven terylene and acrylic fiber and visco backing.
- 2.Foam: High density foam.
- 3.Plywood Seat Plate: made from heated hard pressed veneers.
- 4.Mechanism: Die-cast aluminum alloy
- 5.Gas Lift: Inner and outer tubes are made of steel, filled with nitrogen.
- 6.Base: Nylon / Die-cast aluminum alloy.
- 7.Castors: Black dual wheel castors made of nylon reinforced with fiberglass.
- 8.Mesh/Fabric:  
Mesh: Made of high quality Polyester.  
Fabric: Made of high quality wear resistant fabric.
- 9.Backrest Frame: Die-cast aluminum alloy / Molded high elastic PA engineering plastic .



# User Guide for ErgoClick Plus

## Design Concept

### BAS system (Back Automatic Supporting system)

ErgoClick Plus is the perfect combination of ergonomic and human needs. Without any adjustment or operation, the independent motion of the chair back can be realized through the unique intelligent flexible connection in the supporting frame of the chair back.

This system allows the chair back to fit people's weight shape, sitting posture and tilting angle accordingly. The major part in the two sections of chair back is the double torsion spring at the waist support bottom. It can provide users within 10 degree of upper torsion support and within 15 degree automatic waist rotating. In this way, users can experience a full range of back support.

## Technical Features



## Seat Adjustment



1. Pressing up on the paddle under the right armrest will adjust the height of the seat. Pressing up on the paddle and applying body weight will cause the seat to lower. Release the paddle when you have found your desired position. Pressing up on the paddle when there is no weight on the seat will allow it to rise.

2. Pressing the button on the left side of the seat will unlock the seat. Slide the seat forwards and backwards with your body weight, release the button to lock it when you have found your desired position.



## Backrest Adjustment



1. Adjusting the backrest is easy. Simply lean back, apply pressure on the backrest and then click and release on the left paddle. This will unlock the backrest for you to choose your ideal seating position. Once you have chosen your position click and release the left paddle again to lock the backrest in position.

2.Pull and rotate the tension hand wheel found on the lower right of the seat and turn clockwise to increase back tilting tension, counter clockwise to decrease back tilting tension.



3.Pulling up the chair back on the ratchet will adjust its height, and the chair back will go down to the original position when it reaches the highest point.

4.Back Automatic Supporting system can fit different users' body and sitting habit.

## 3D Paddle Shift Wire Control Armrest

1.Lift the armrest up to raise the arm height, once the armrest has reached its highest point it will then return to its original position.

2.The arm pads can easily pivot.

3.Left armrest paddle controls the backrest tilting lock. Right armrest paddle will control the seat height adjustment.



## 3D Headrest Adjustment

Pushing the headrest forwards and backwards or pulling it vertically will change its height and angle.

# User Guide for ErgoClick

## Design Concept

### DSA System (Dynamic Self-Adapting System)

ErgoClick series, presenting a pioneering DSA System while maintaining an elegant design. This system provides 24 degree of left & right rotation angle and 10 degree of forward & backward rotation angle through the smart rotating elastic connection.

Under this design, the DSA system can automatically adjust according to the sitting posture of different users at any time, providing comfortable dynamic support. Without any adjustment or operation, it assists you to maintain the most comfortable position.

## Technical Features

Armrest Angle Adjustment  
Armrest Height Adjustment  
Ratchet System



Lumbar Support  
Seat Sliding Button

Seat Height  
Adjustment Paddle



Backrest Tilting  
Tension  
Hand Wheel

3D Headrest (optional)  
Back Tilting  
Adjustment Paddle

## Seat Adjustment



1. Pressing up on the paddle under the right armrest will adjust the height of the seat. Pressing up on the paddle and applying body weight will cause the seat to lower. Release the paddle when you have found your desired position. Pressing up on the paddle when there is no weight on the seat will allow it to rise.

2. Pressing (mesh seat) or pulling out (upholstery seat) the button on the left side of the seat will unlock the seat. Slide the seat forwards and backwards with your body weight, release the button to lock it when you have found your desired position.



## Backrest Adjustment



1. Adjusting the backrest is easy. Simply lean back, apply pressure on the backrest and then click and release on the left paddle. This will unlock the backrest for you to choose your ideal seating position. Once you have chosen your position click and release the left paddle again to lock the backrest in position.

2.Pull and rotate the tension hand wheel found on the lower right of the seat and turn clockwise to increase back tilting tension, counter clockwise to decrease back tilting tension.



3.Pulling up the chair back on the ratchet will adjust its height, and the chair back will go down to the original position when it reaches the highest point.

4.Backrest lumbar support can be adjusted up and down.

## 3D Paddle Shift Wire Control Armrest

1.Lift the armrest up to raise the arm height, once the armrest has reached its highest point it will then return to its original position.

2.The arm pads can easily pivot.

3.Left armrest paddle controls the backrest tilting lock. Right armrest paddle will control the seat height adjustment.



## 3D Headrest Adjustment(Optional)



Pushing the headrest forwards and backwards or pulling it vertically will change its height and angle.

# User Guide for ErgoTwist

## Design Concept

### DSA System (Dynamic Self-Adapting System)

ErgoTwist series, presenting a pioneering DSA System while maintaining an elegant design. This system provides 24 degree of left & right rotation angle and 10 degree of forward & backward rotation angle through the smart rotating elastic connection.

Under this design, the DSA system can automatically adjust according to the sitting posture of different users at any time, providing comfortable dynamic support. Without any adjustment or operation, it assists you to maintain the most comfortable position.



## 1 Seat Height Adjustment

Lift the paddle on the right side of seat will adjust the seat height up and down.



## 2 Backrest Tilting Adjustment

Lift up the paddle on the right side of seat to lock the back tilting angle, pressing down the paddle will unlock it.



## 3 Backrest Tilting Tension Adjustment

Turning the knob under the seat will increase or reduce the backrest tilting tension.



## 4 Armrests Adjustment

Press the button on the arm frame to adjust its height up and down.

- (Optional 3D Arms, 4D Arms)
- Move the arm pads forward and backward.
- Arm pads width adjustment.
- Arm pads pivot adjustment.



## 5 Lumbar Support Adjustment

Adjust the lumbar support up and down to support the back.



## 6 Seat Depth Adjustment (Optional)

Lift up the handle under the left side of seat or press the button on the right side of seat will slide the seat forward and backward.



## 7 3D Headrest Adjustment (Optional)

- Headrest height up and down adjustment.
- Headrest surface rotate.
- Headrest frame move forward and backward.



## Care and Maintenance

### During Use:

Avoid direct sunlight.  
Regularly check the kinetic parts and screws.

### Storage:

-Cover with a dust-proof cloth.  
-Avoid direct sunlight.  
-Do not keep in damp or humid environments.

### Mesh:

Daily Maintenance: Remove dust off mesh with soft brush.

## Tips of Analysis & Eliminating of Problems

Problem	Caused	Solution
Unable to raise seat height	Was there any weight on the seat when you adjusted it?	Only increase seat height when there is no weight on the seat.
	Was the seat already at its highest height?	Please sit down on the seat and lower seat height to ensure you are not already at the highest height.
Unable to lower the seat height	Were you sitting on the front of the seat?	Center your weight on the seat and try again.
	Unable to lower the seat height further?	Please choose a seat height between the highest and lowest position.
Seat depth can not be adjusted forwards or backwards	Was the lever under the left side of the seat in the lock position?	Please lift the lever and try again.
	Was the tension hand wheel turned completed clockwise?	Please lower tension and try it again.
The castors are not moving freely	Was there any dirt or other debris caught in the castors?	Please clean the castor or change the castor.
Noise during use		Please contact the distributor.






## Warranty and Terms & Conditions

This warranty offers 1 year foam & fabric and 5 years moving parts.

1 year Foam and Fabric	Foam & Fabric will be guaranteed for 1 year against any manufacturing defect. Accidental damage and misuse will not be covered under this warranty.
5 year Moving Parts	Parts will be guaranteed for 5 years against any manufacturing defect. Accidental damage and misuse will not be covered under this warranty.

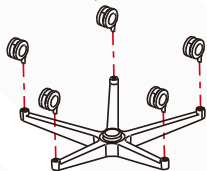
## Assembling Instruction for ErgoClick Plus / ErgoClick

### Parts list

		
Castors x 5	Base x 1	Gas Lift x 1
		
Chair Frame x 1	Optional Headrest x 1	

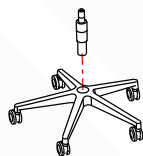
## Assembling Steps

Step one:



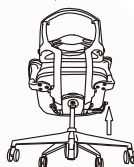
Insert the castors into the base castor hole.

Step two:



Put the gas lift into the base.

Step three:



Insert the upper end of the gas lift into the mechanism hole.

Step four:



Chair Assembly is completed.






(Optional)







Use the screws to fasten the headrest to the chair back (headrest holes for ErgoClick or aluminum bar holes for ErgoClick Plus).

## Assembling Instruction for ErgoTwist

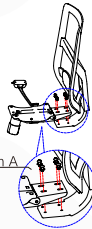
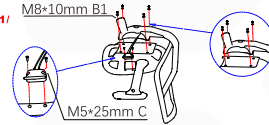

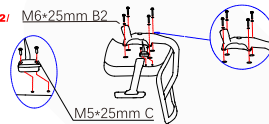
### Parts List

				
x 5	x 1	x 1	x 1	x 1



### Hardware

			
x 4	x 4	x 2	
M8*30MM A	M6*25MM B2	M5*25MM C	x 1

### Assembling Instruction

<p>1/</p>  <p>M8*30mm A</p>	<p>2-1/</p>  <p>M8*10mm B1</p> <p>M5*25mm C</p>	<p>3/</p> 
	<p>2-2/</p>  <p>M6*25mm B2</p> <p>M5*25mm C</p>	

## Headrest Screws

ErgoTwist	ErgoClick
	
2pcs M6*18mm Self-Tapping Headrest Screws	2pcs M6*25mm Countersink Headrest Screws