

Storage Cupboard

Hudson Elm finish | Model 5427412

NOTE: THIS INSTRUCTION BOOKLET CONTAINS **IMPORTANT** SAFETY INFORMATION.

PLEASE READ AND KEEP FOR FUTURE REFERENCE.

English pg 1-17
Français pg 18-20
Español pg 21-23

Lot # **566952**

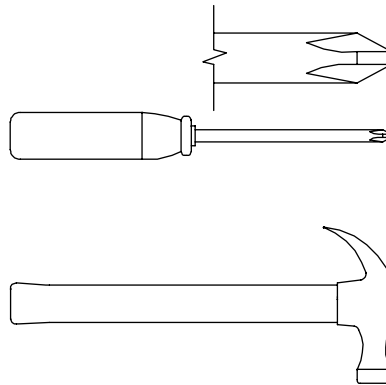
10/08/21

Purchased: _____

Table of Contents

Assembly Tools Required

Hardware Identification	2
Part Identification	3
Hardware Usage Guide	5
Assembly Steps	4-17
Français	18-20
Español	21-23
Safety	24-26
Warranty	27

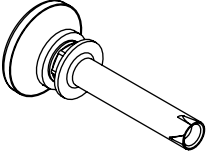

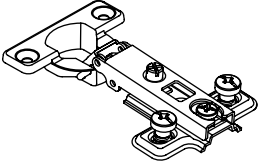
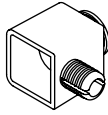
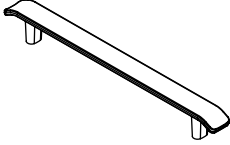
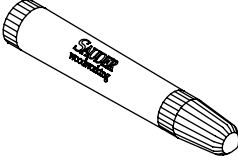

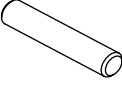
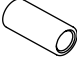

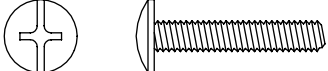


No. 2 Phillips Screwdriver
Tip Shown Actual Size

Hammer
Not actual size 😊

Hardware Identification

† Screws are shown actual size. You may receive extra hardware with your unit.

<p>46E LEVELER - 4</p> 	<p>42F WOOD DOWEL - 16</p> 	<p>13H HINGE - 4</p> 	<p>4I DOOR STOP - 2</p> 	<p>202K PULL - 2</p> 
<p>10M TOUCH-UP PEN - 1</p> 	<p>125P TWIST-LOCK® FASTENER COVER - 12</p> 	<p>1R METAL PIN - 4</p> 	<p>2R RUBBER SLEEVE - 4</p> 	
<p>11S BLACK 1/2" FLAT HEAD SCREW - 8</p> 	<p>42S SILVER 7/8" MACHINE SCREW - 4</p> 			

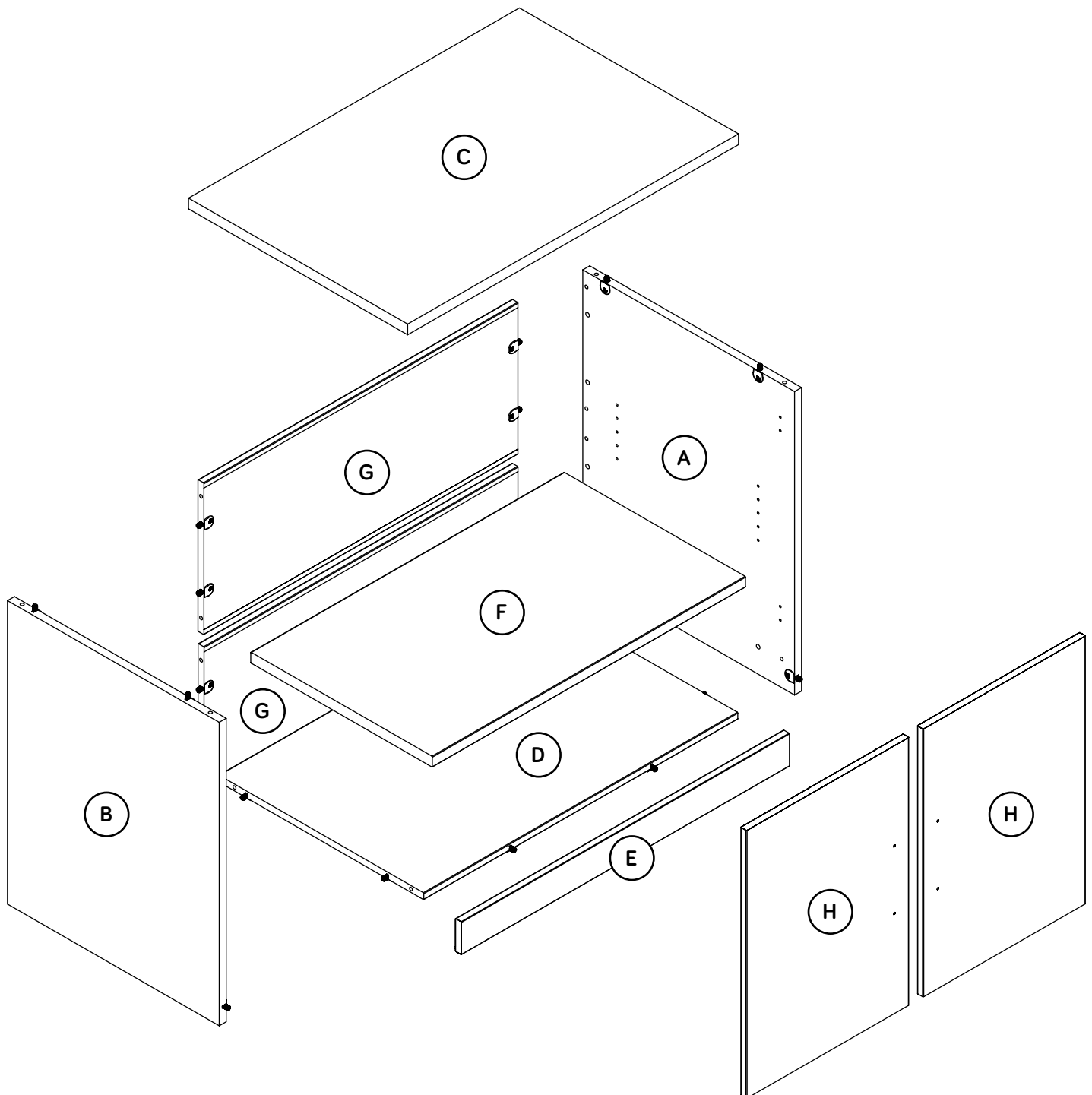
Part Identification

Now you know
our ABCs.



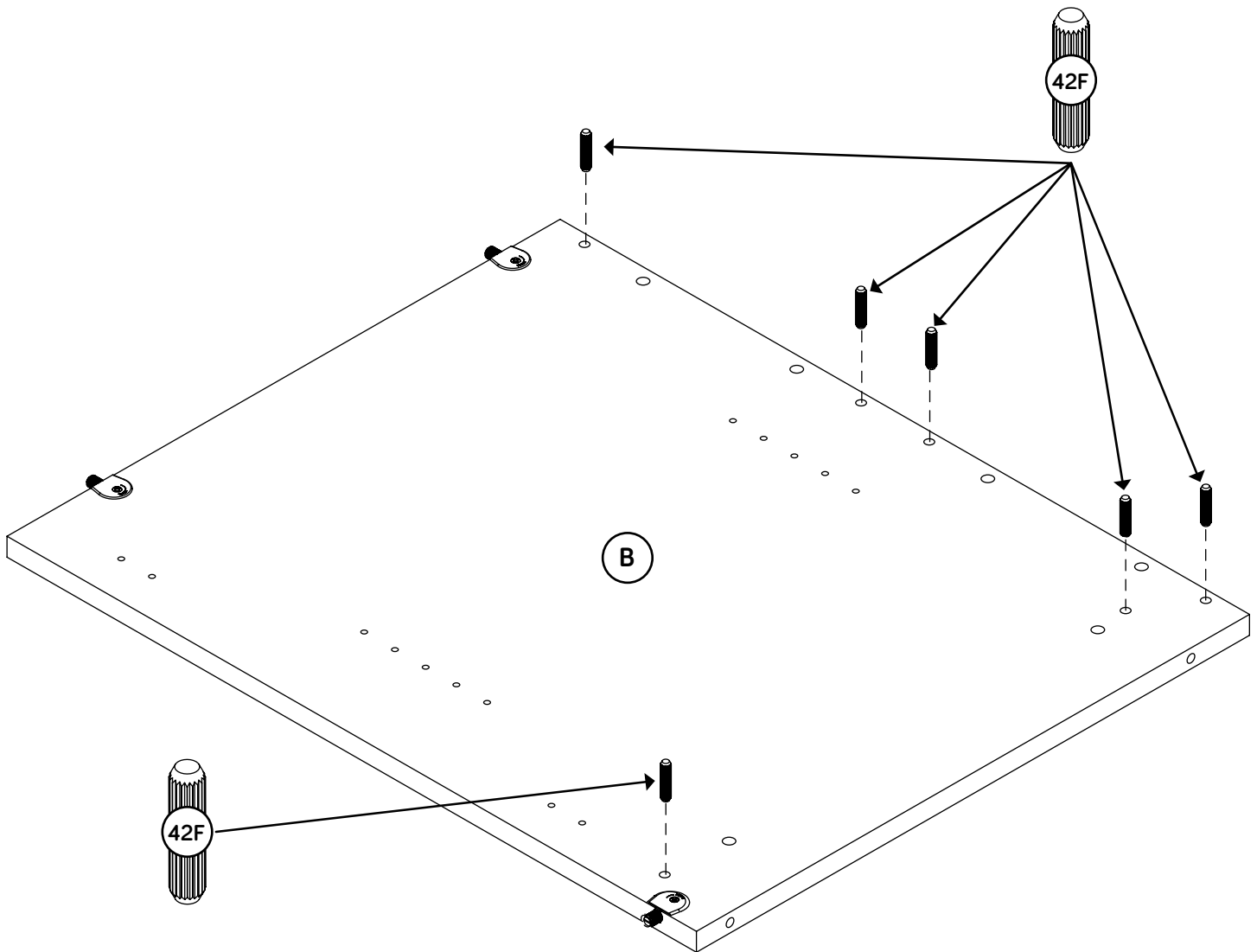
⚠ While not all parts are labeled, some of the parts will have a label or an inked letter on the edge to help distinguish similar parts from each other. Use this part identification to help identify similar parts.

A	RIGHT END (1)	D	BOTTOM (1)	G	BACK (2)
B	LEFT END (1)	E	BASE (1)	H	DOOR (2)
C	TOP (1)	F	ADJUSTABLE SHELF (1)		



Step 1

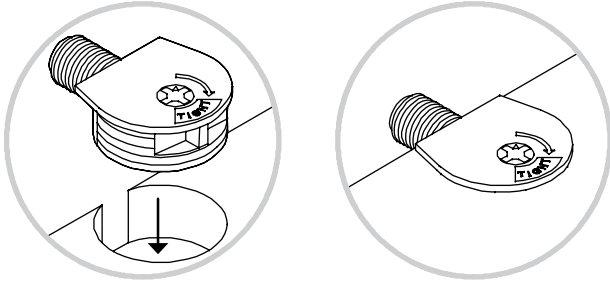
- ✚ Assemble your unit on a carpeted floor or on the empty carton to avoid scratching your unit or the floor.
- ✚ Insert six WOOD DOWELS (42F) into the exact holes shown in the LEFT END (B).
- ✚ NOTE: You may need to gently tap the WOOD DOWEL in with your hammer.



Hardware Usage Guide

HOW TO USE A TWIST-LOCK® FASTENER

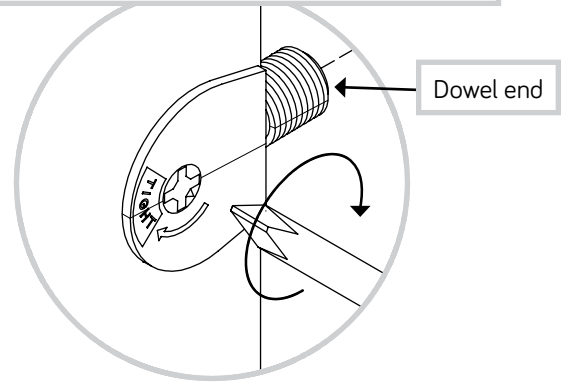
1. Push a TWIST-LOCK® FASTENER into the large hole in the part.



2. 1. Insert the dowel end of the FASTENER into the hole of the adjoining part.

NOTE: The dowel end of the FASTENER must remain fully inserted in the hole of the adjoining part while locking the FASTENER.

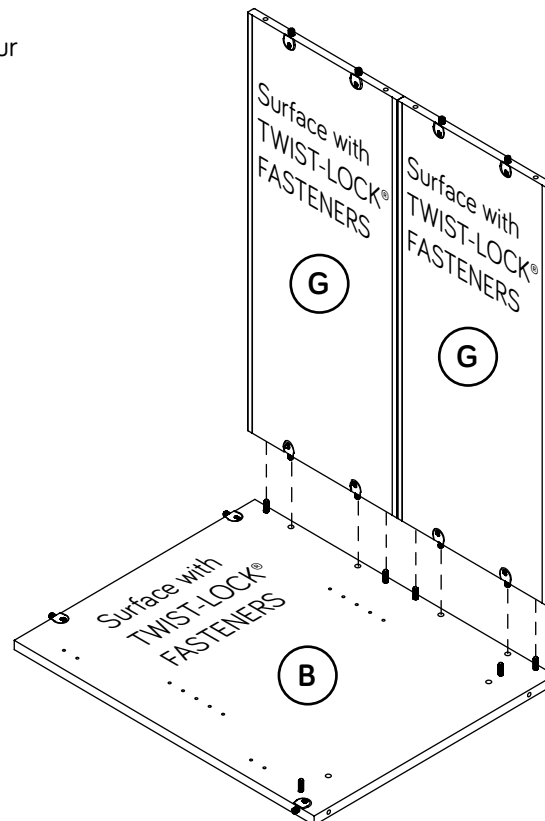
2. 2. Tighten the FASTENER with a Phillips screwdriver as tight as possible.



Step 2

- ⚡ Fasten the BACKS (G) to the LEFT END (B). Tighten four TWIST-LOCK® FASTENERS.

- ⚡ **NOTE:** Be sure the WOOD DOWELS in the LEFT END insert into the BACKS.



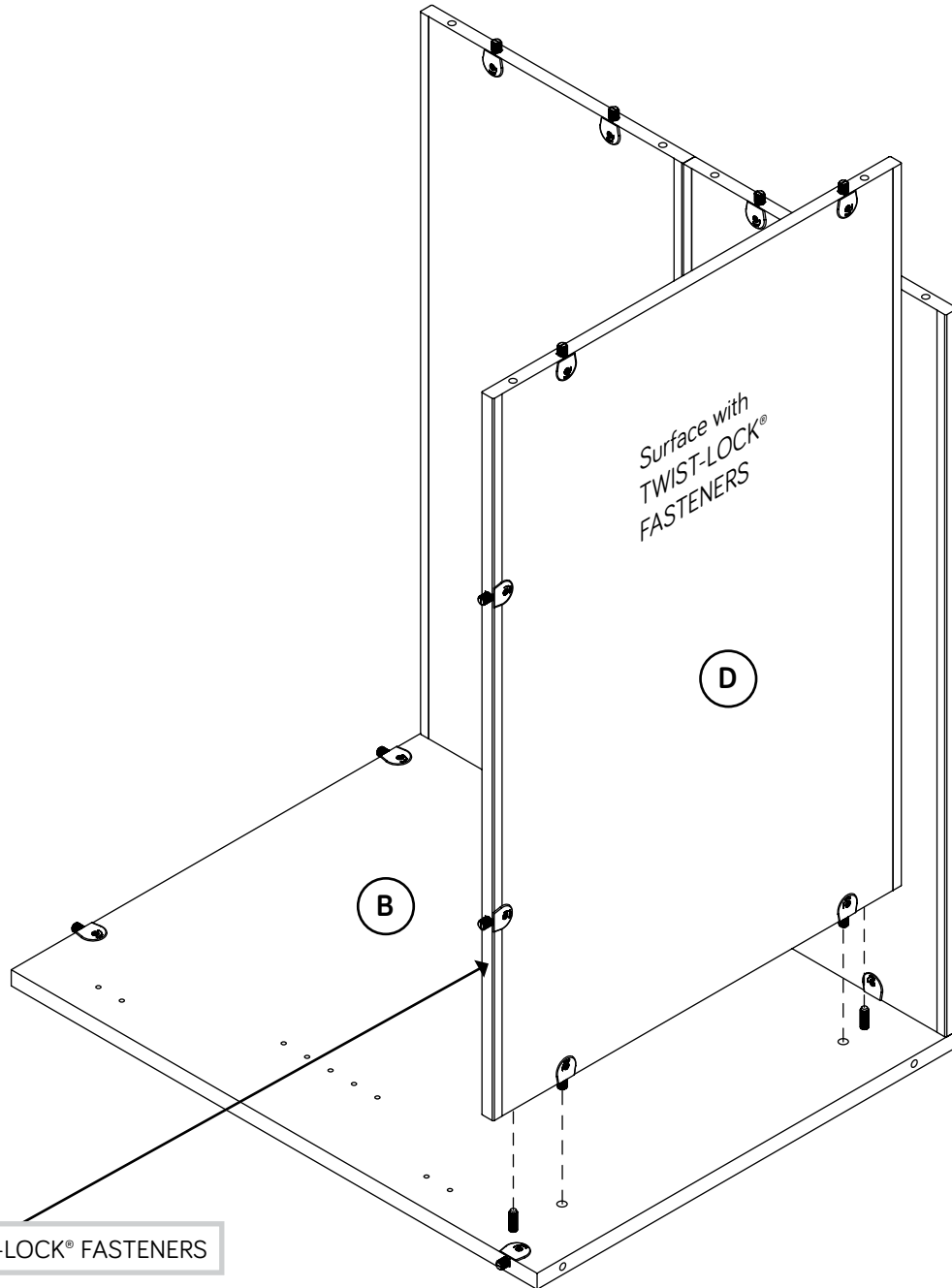
Step 3

Fasten the BOTTOM (D) to the LEFT END (B). Tighten two TWIST-LOCK® FASTENERS.

NOTE: Be sure the WOOD DOWELS in the LEFT END insert into the BOTTOM.

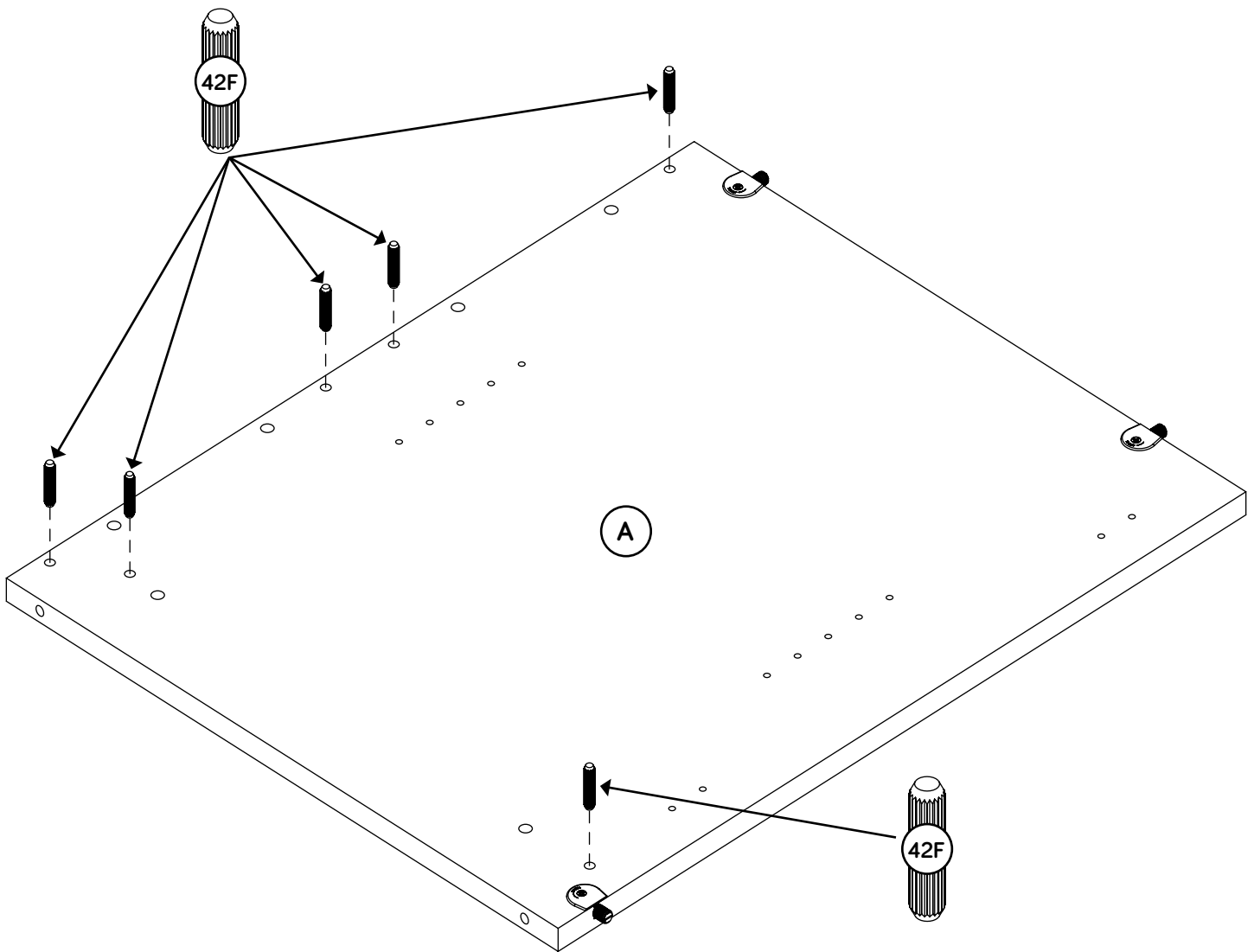


Just think. The sooner you do this, the sooner you do something else.



Step 4

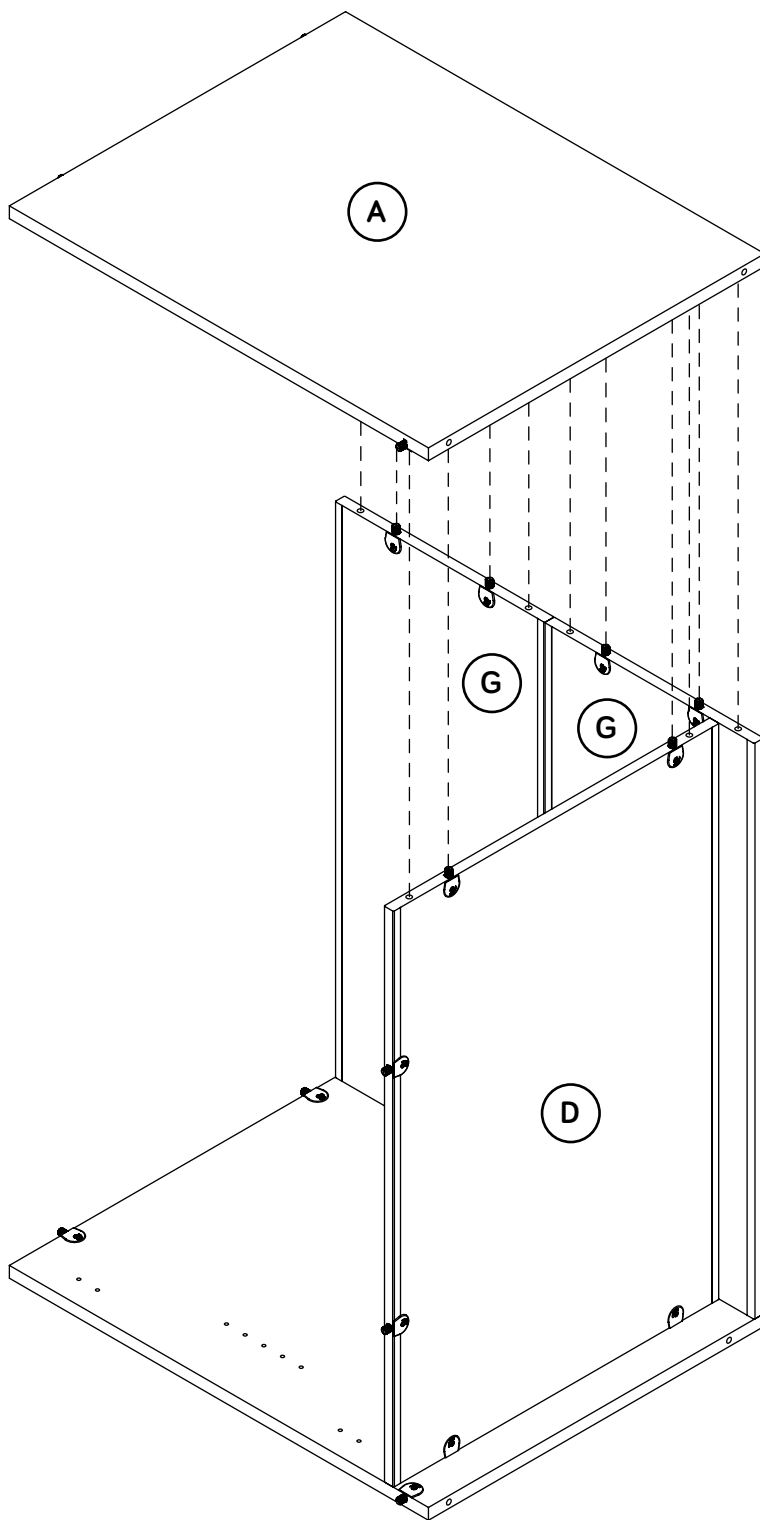
- ✚ Insert six WOOD DOWELS (42F) into the exact holes shown in the RIGHT END (A).
- ✚ NOTE: You may need to gently tap the WOOD DOWEL in with your hammer.



Step 5

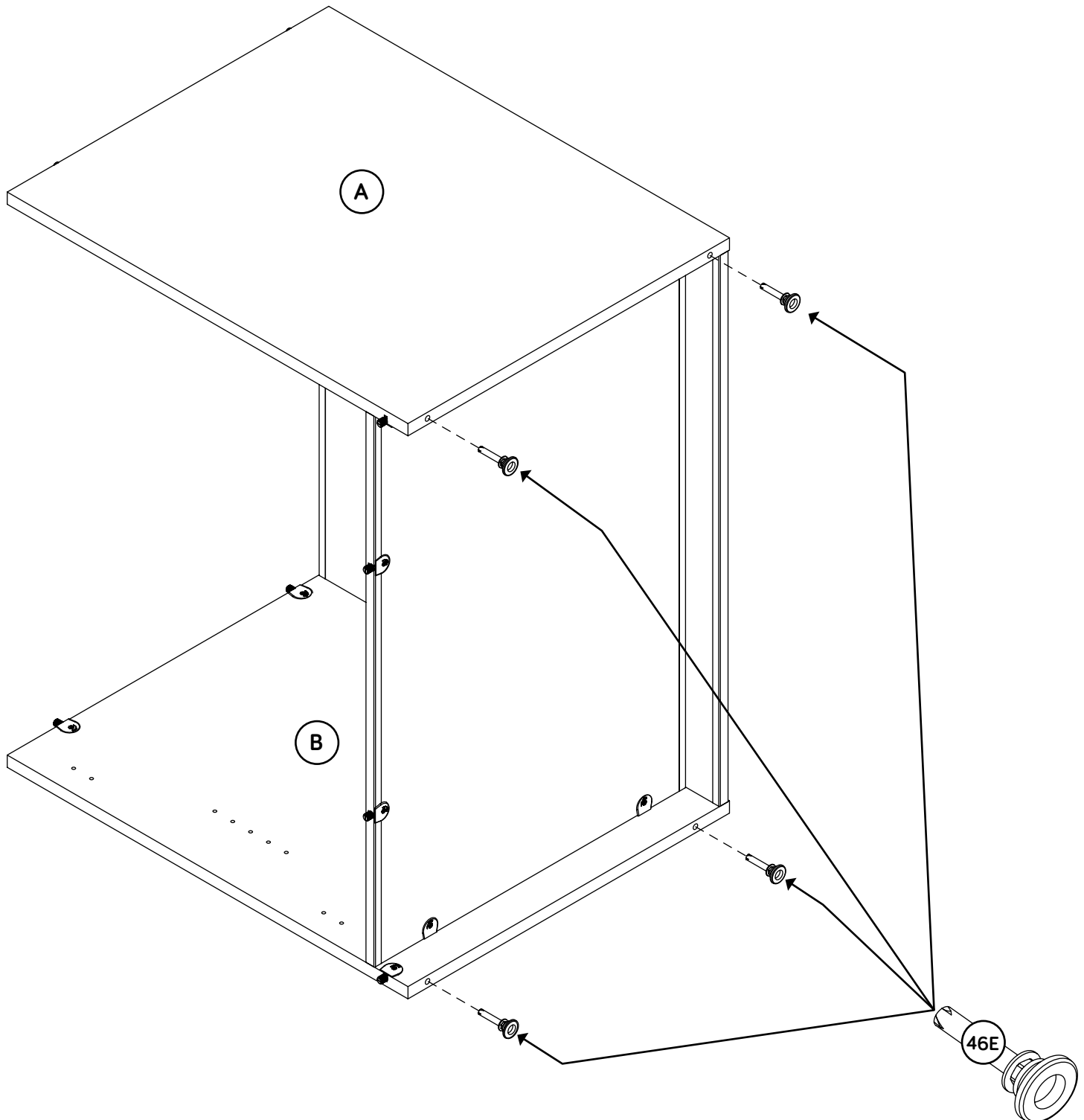
✚ Fasten the RIGHT END (A) to the BOTTOM (D) and BACKS (G). Tighten six TWIST-LOCK® FASTENERS.

✚ NOTE: Be sure the WOOD DOWELS in the RIGHT END insert into the BACKS and BOTTOM.



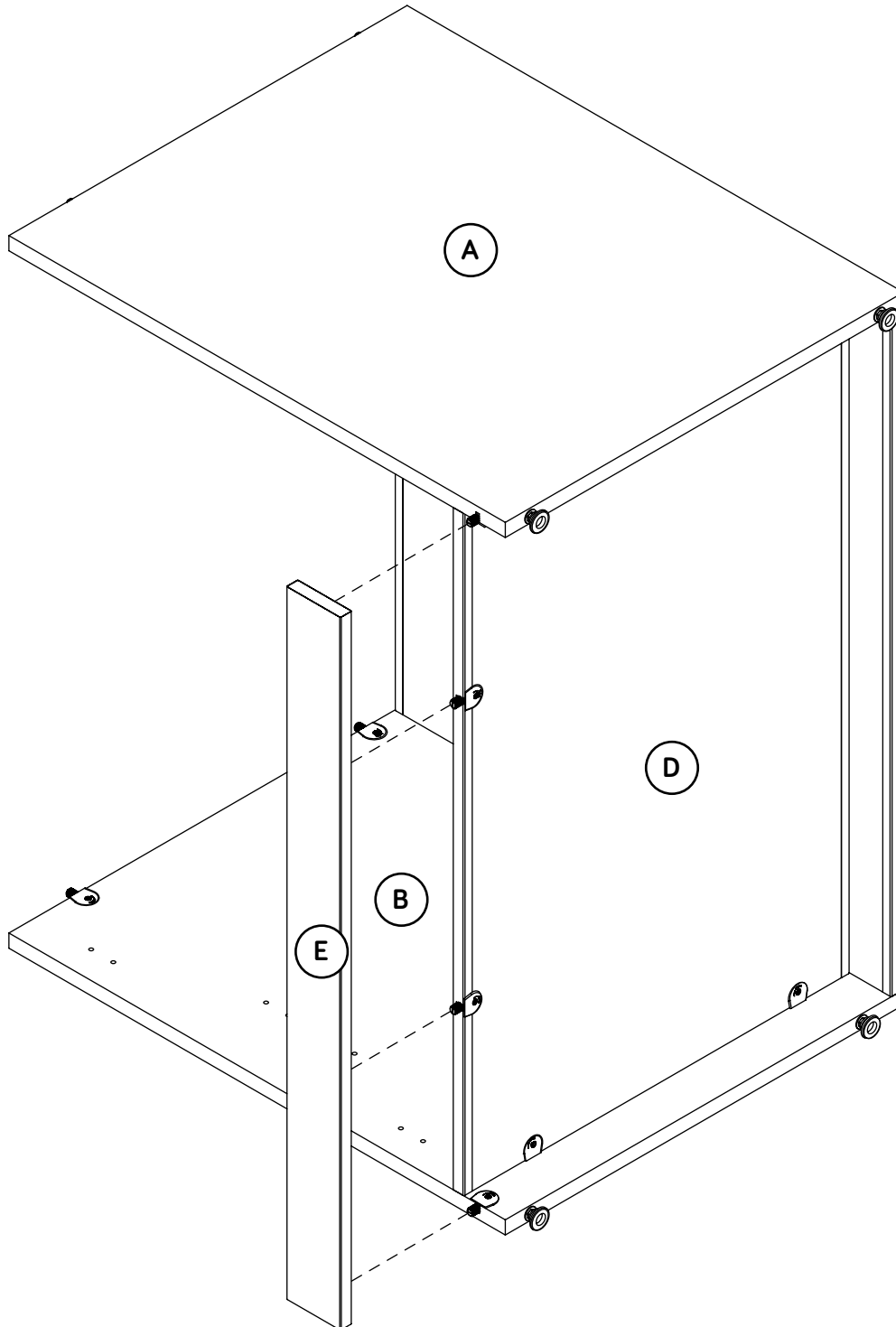
Step 6

- ✦ Using your hammer, gently tap four LEVELERS (46E) completely into the holes in the ENDS (A and B).
- ✦ NOTE: Adjustments to the LEVELERS will be made later in assembly once your unit is standing upright.



Step 7

- Fasten the BASE (E) to the ENDS (A and B) and the BOTTOM (D). Tighten four TWIST-LOCK® FASTENERS.

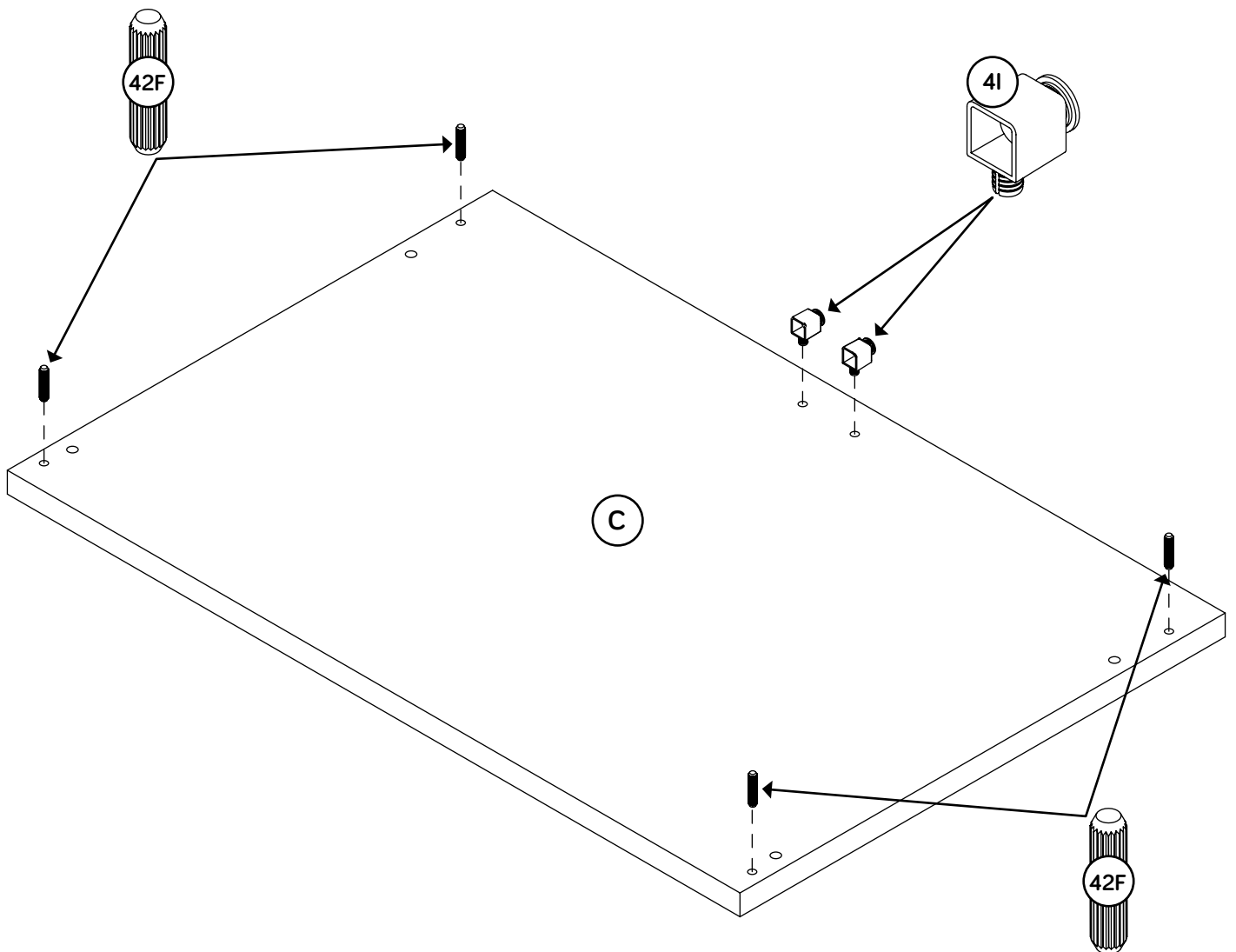


Step 8

- ✚ Insert four WOOD DOWELS (42F) into the exact holes shown in the TOP (C).
- ✚ Insert the DOOR STOP (4I) into the exact holes shown in the TOP (C).

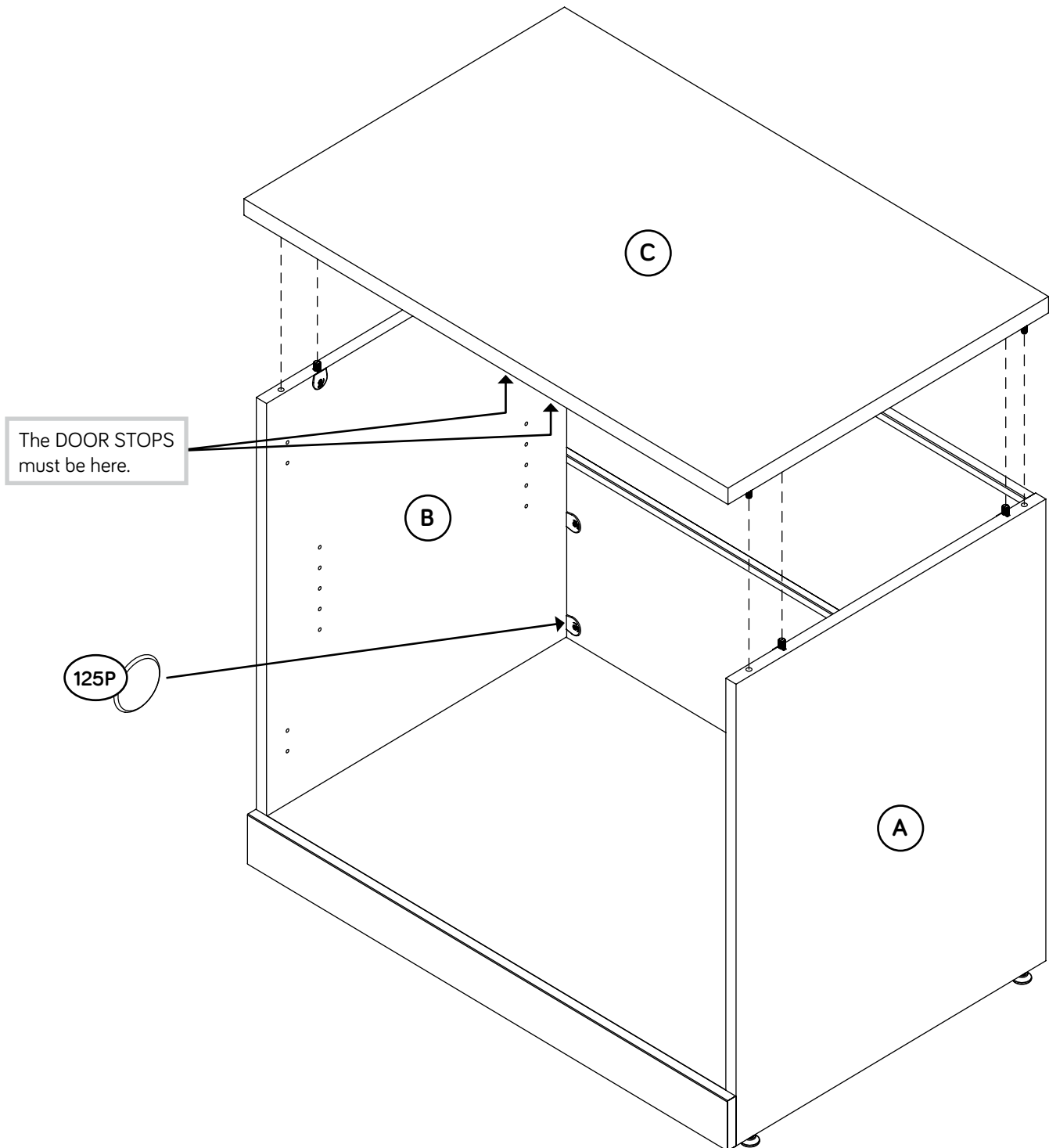


Now might be a good time to refresh your drink.



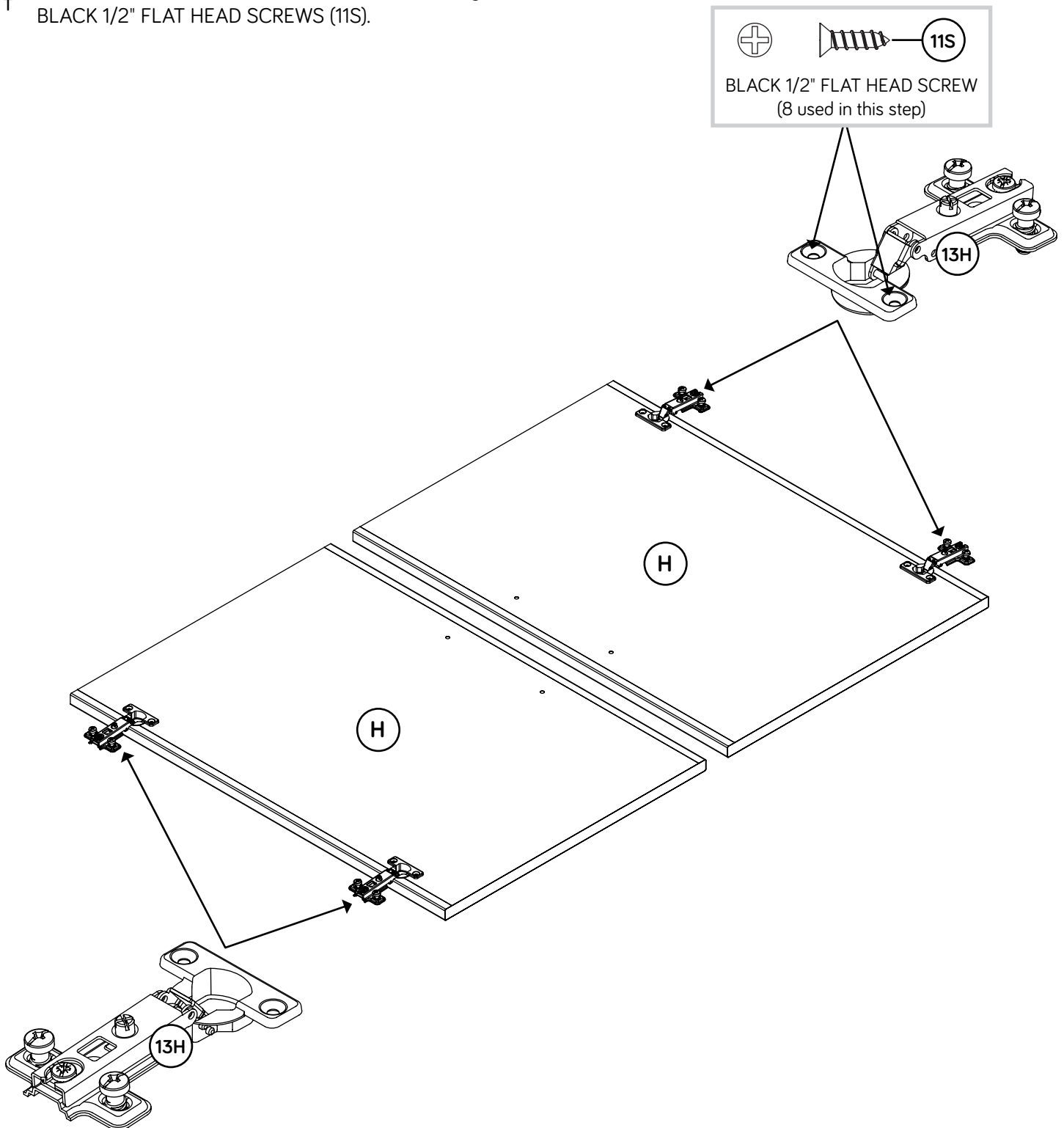
Step 9

- ✚ Carefully stand your unit upright.
- ✚ Fasten the TOP (C) to the ENDS (A and B). Tighten four TWIST-LOCK® FASTENERS.
- ✚ Using your hammer, gently tap a TWIST-LOCK® FASTENER COVER (125P) onto each visible TWIST-LOCK® FASTENER.



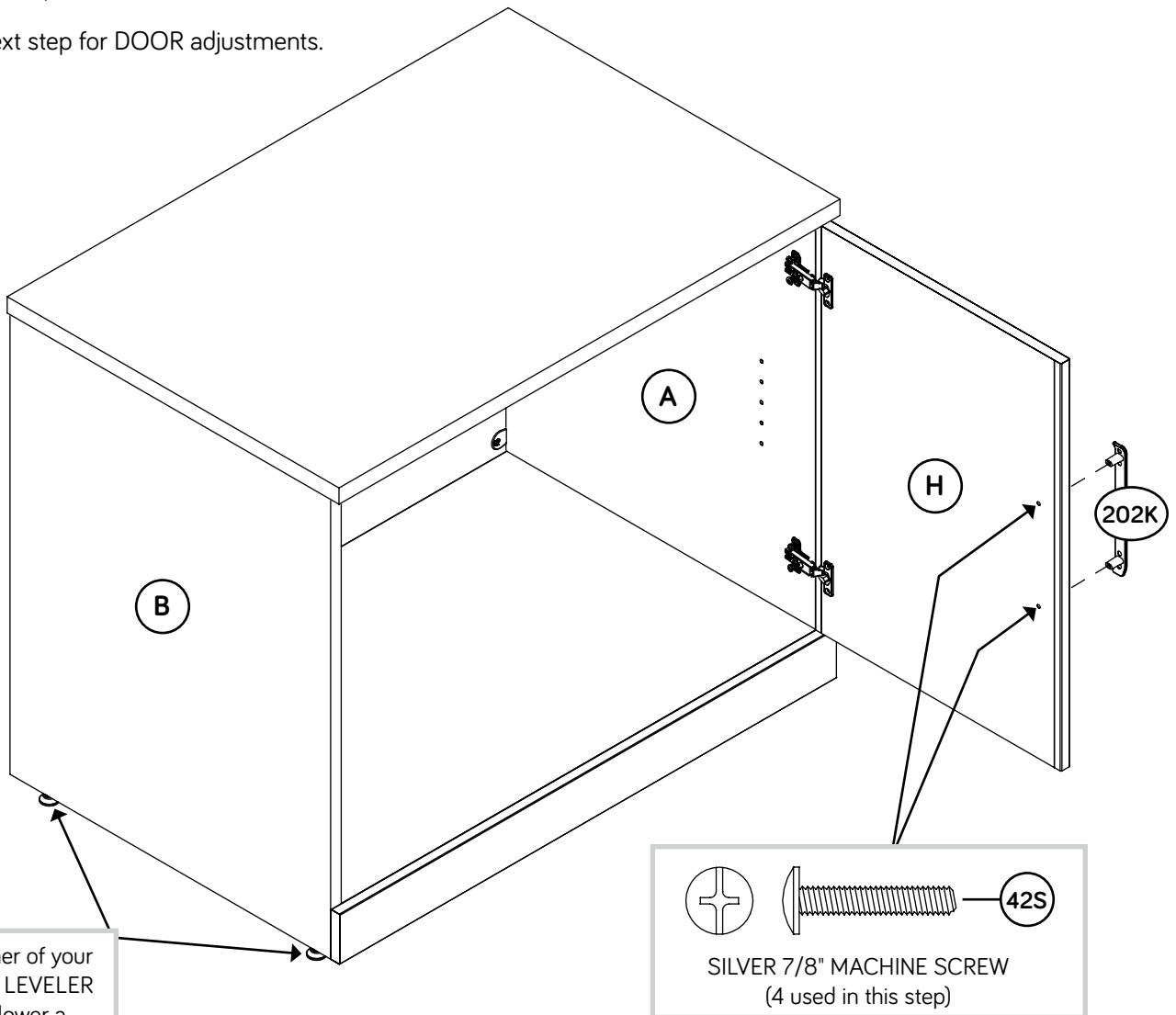
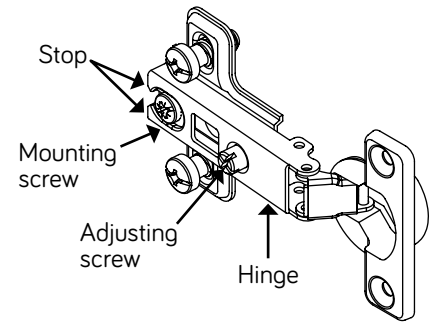
Step 10

- Fasten four HINGES (13H) to the DOORS (H). Use eight BLACK 1/2" FLAT HEAD SCREWS (11S).



Step 11

- ✚ Your unit may need leveling. To raise a corner of your unit, rotate the LEVELER downward. To lower a corner of your unit, rotate the LEVELER upward.
- ✚ Before fastening the DOOR to your unit, be sure the mounting screw is against the stops as shown in the right diagram. If it isn't, loosen the adjusting screw and mounting screw to slide it against the stops. Then tighten the mounting screw.
- ✚ Fasten one of the DOORS (H) to the RIGHT END (A) as shown in the lower diagram. Use the screws in the HINGES. You should start each SCREW a few turns before completely tightening any of them.
- ✚ Fasten one PULL (202K) to the DOOR (H). Use two SILVER 7/8" MACHINE SCREWS (42S).
- ✚ Repeat this step for the other DOOR (H).
- ✚ See the next step for DOOR adjustments.



Step 12

✚ Refer to the enlarged diagram to identify the parts on the HINGE.

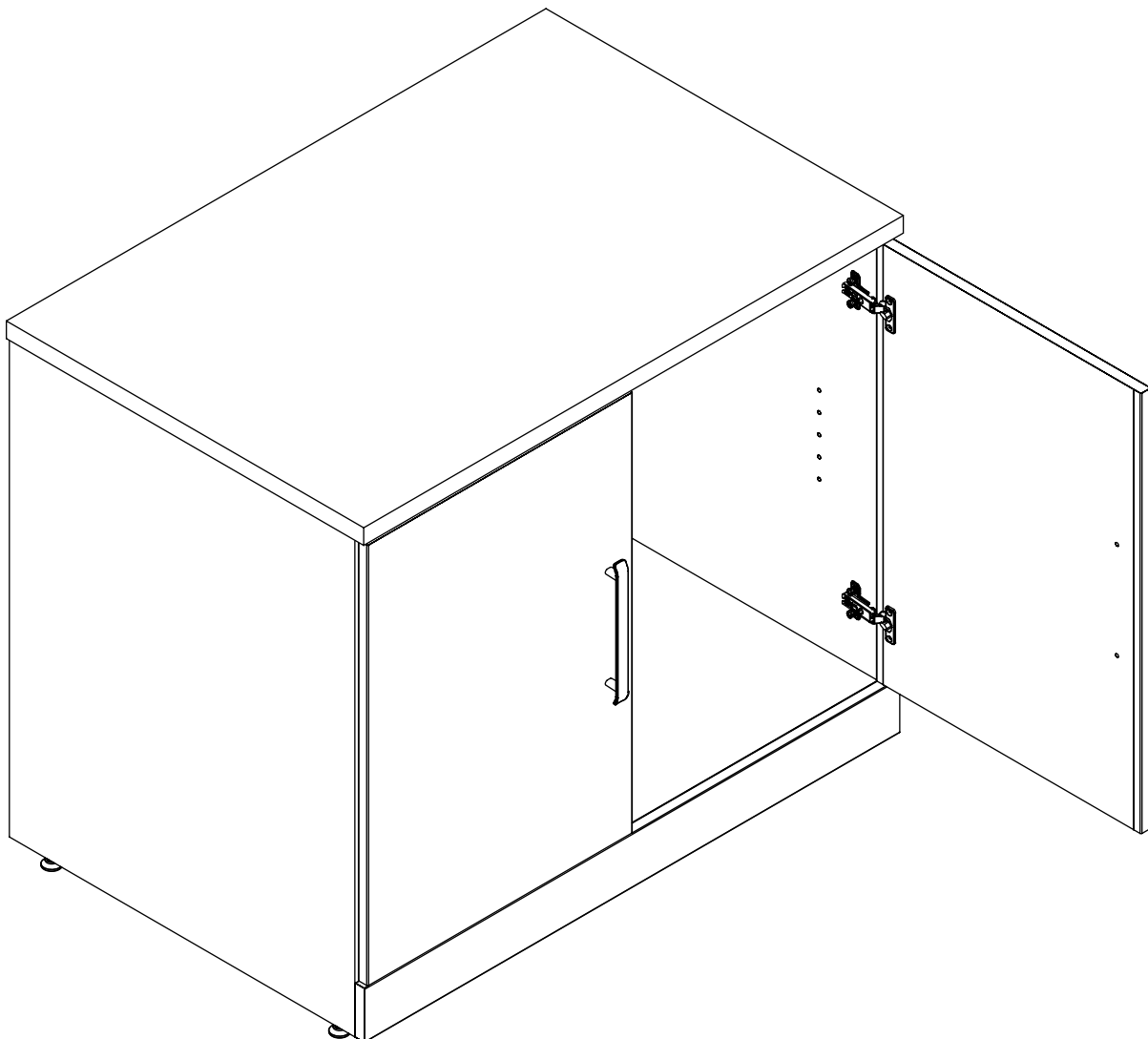
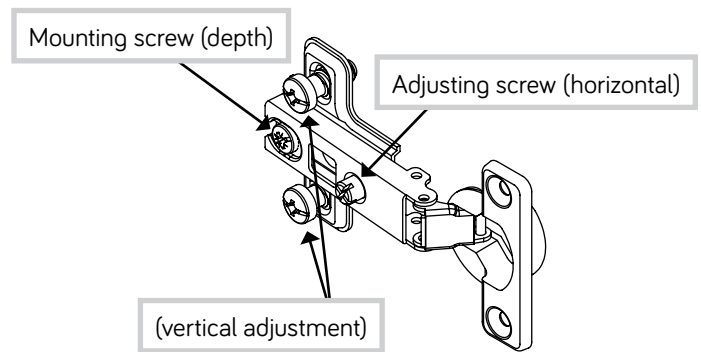
✚ The DOOR may need some adjustments. Follow the text below to make needed adjustments.

✚ **DOOR ADJUSTMENTS:**

To adjust the DOOR from side to side (horizontal), turn the adjusting screw in or out.

✚ To adjust the DOOR up and down (vertical), loosen both vertical adjustment screws. Move the DOOR up or down to the desired location. Tighten the screws after making adjustments.

✚ To adjust the DOOR in or out (depth), loosen the mounting screw one turn and move the DOOR in or out, as needed. Tighten the mounting screw after making adjustments.



Step 13

- ✦ Push the RUBBER SLEEVES (2R) over one end of the METAL PINS (1R). Insert the METAL PINS into the hole locations of your choice in the ENDS (A and B). Set the ADJUSTABLE SHELF (F) onto the METAL PINS.
- ✦ For long-term care and maintenance of your unit, you may touch up the edges with the TOUCH-UP PEN (10M).

