

1200x600 Desk

Hudson Elm finish | **Model 5427414**

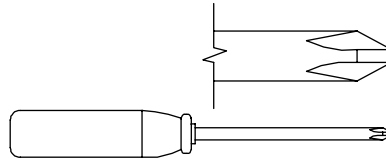
NOTE: THIS INSTRUCTION BOOKLET CONTAINS **IMPORTANT** SAFETY INFORMATION. PLEASE READ AND KEEP FOR FUTURE REFERENCE.

English pg 1-27
Français pg 28-31
Español pg 32-35

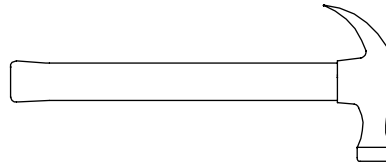
Lot # **573163**
Purchased:

10/28/21

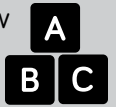
Part Identification	3
Hardware Identification	4
Optional Accessories	5
Hardware Usage Guide	7, 14, 21
Assembly Steps	6-27
Français	28-31
Español	32-35
Safety	36-38
Warranty	39



No. 2 Phillips Screwdriver
Tip Shown Actual Size

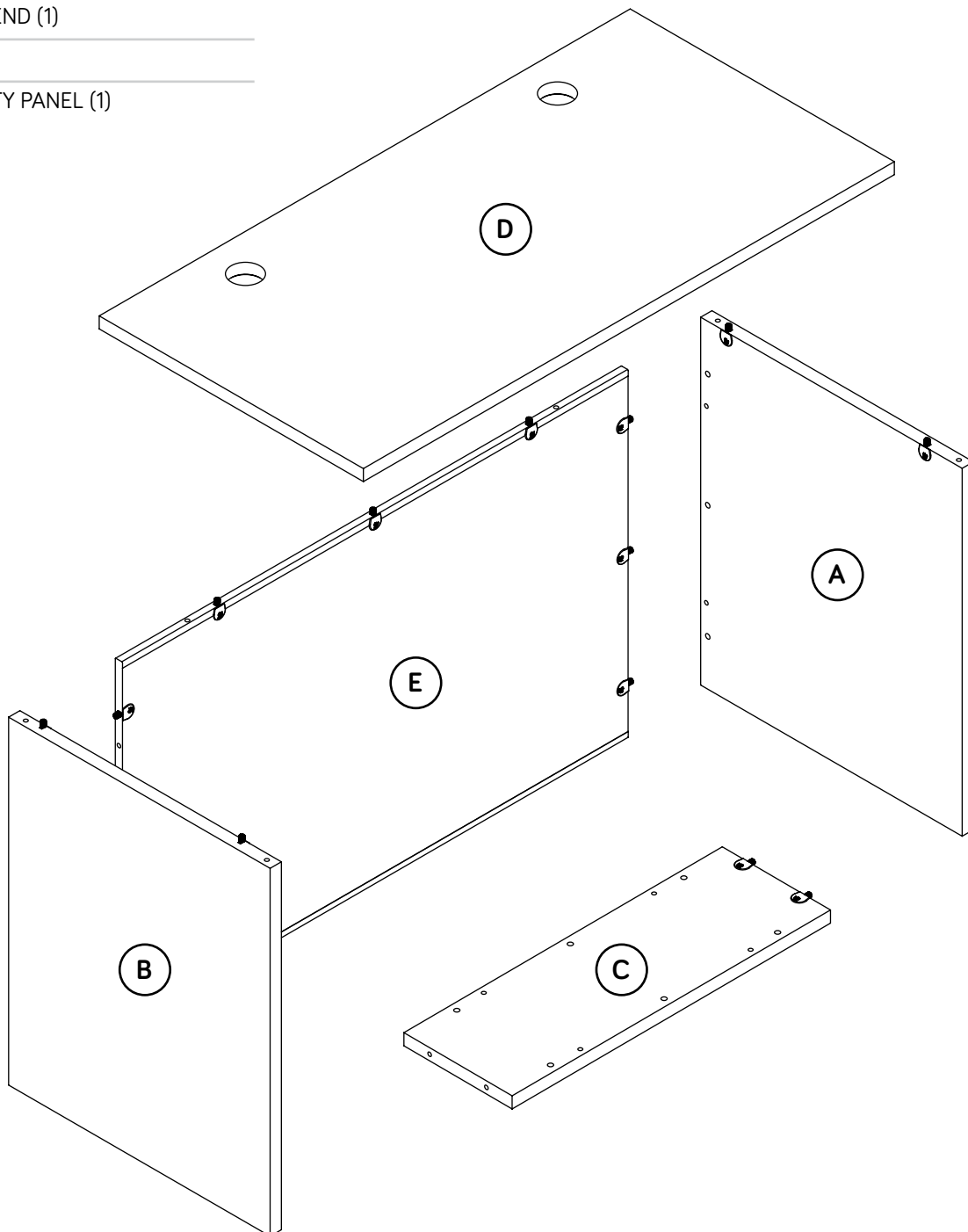


Hammer
Not actual size 😊



† While not all parts are labeled, some of the parts will have a label or an inked letter on the edge to help distinguish similar parts from each other. Use this part identification to help identify similar parts.

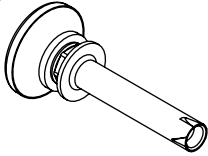
A	RIGHT END (1)
B	LEFT END (1)
C	SMALL END (1)
D	TOP (1)
E	MODESTY PANEL (1)



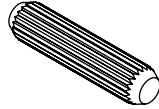
Hardware Identification

† Screws are shown actual size. You may receive extra hardware with your unit.

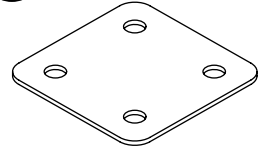
46E LEVELER - 6



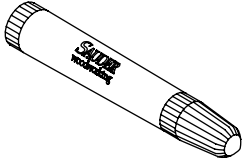
42F WOOD DOWEL - 12



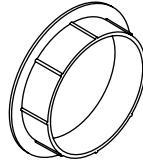
41G PLATE - 2



10M TOUCH-UP PEN - 1



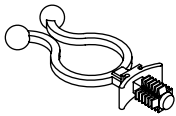
2P GROMMET - 2



3P GROMMET CAP - 2



9P CORD CLIP - 2



125P TWIST-LOCK® FASTENER COVER - 15



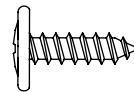
126P SMALL HOLE PLUG - 2



127P LARGE HOLE PLUG - 3



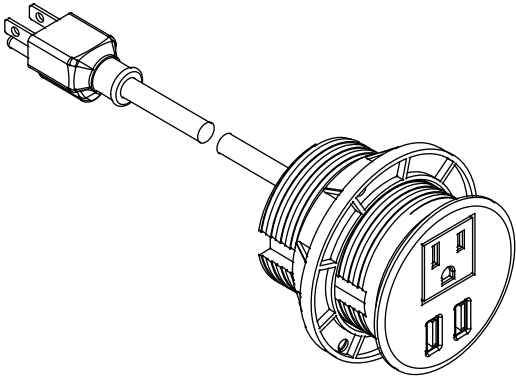
1S BLACK 9/16" LARGE HEAD SCREW - 8



Optional Accessories (sold separately)

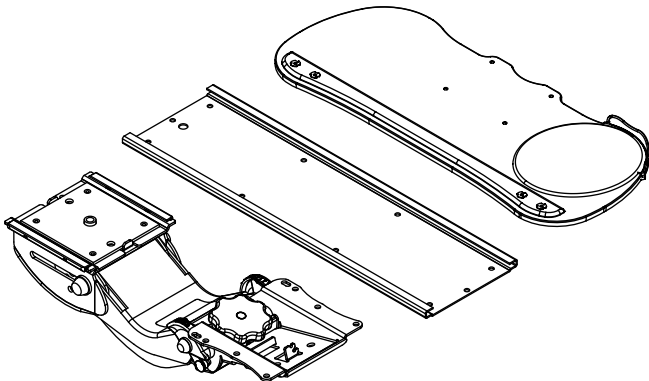
✦ This piece of furniture accommodates one or more of the following optional accessories (sold separately).

✦ **Powered Grommet (Item 427829)**



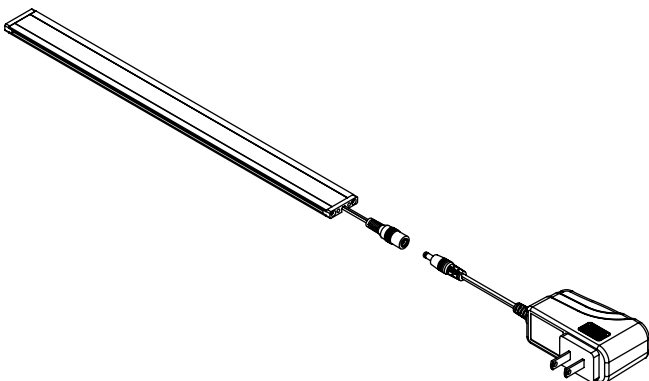
✦ **Articulating Keyboard Shelf (Item 426468)**

The Articulating Keyboard Shelf is designed to be fastened to the underside of your desk, desk return, or credenza top.



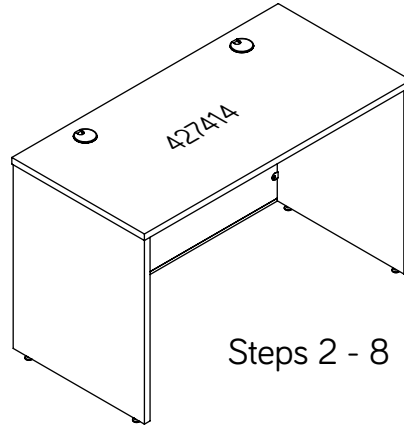
✦ **LED Light (Item 426494)**

The LED Light is designed to be fastened to the underside of a hutch.



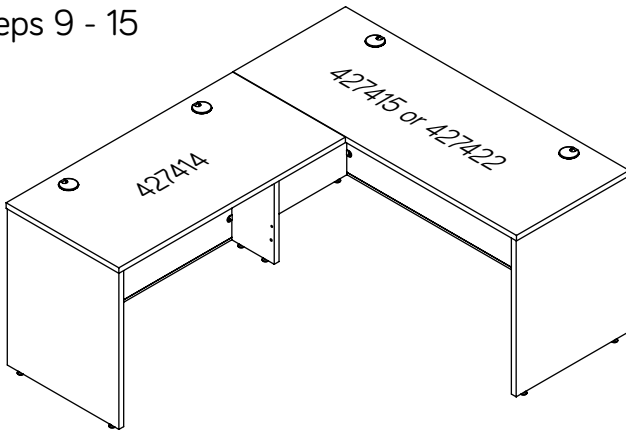
Step 1

📌 See below for the options with your unit.

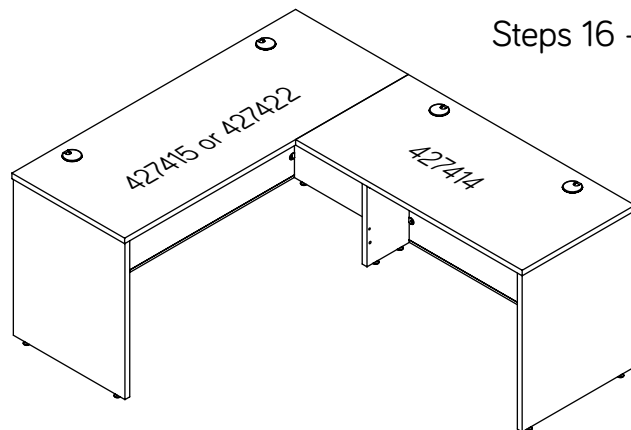


Steps 2 - 8

Steps 9 - 15



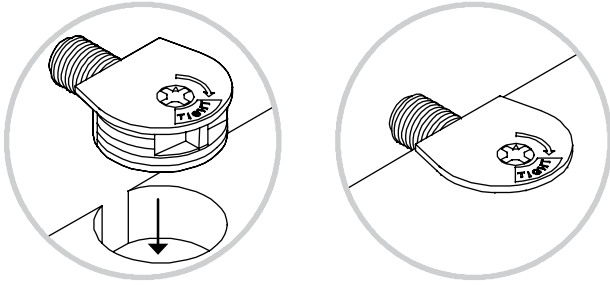
Steps 16 - 22



Hardware Usage Guide

HOW TO USE A TWIST-LOCK® FASTENER

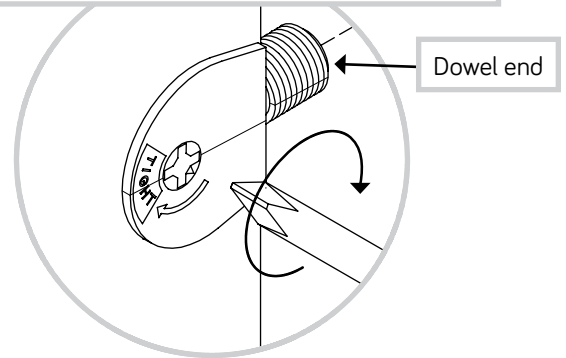
1. Push a TWIST-LOCK® FASTENER into the large hole in the part.



2. 1. Insert the dowel end of the FASTENER into the hole of the adjoining part.

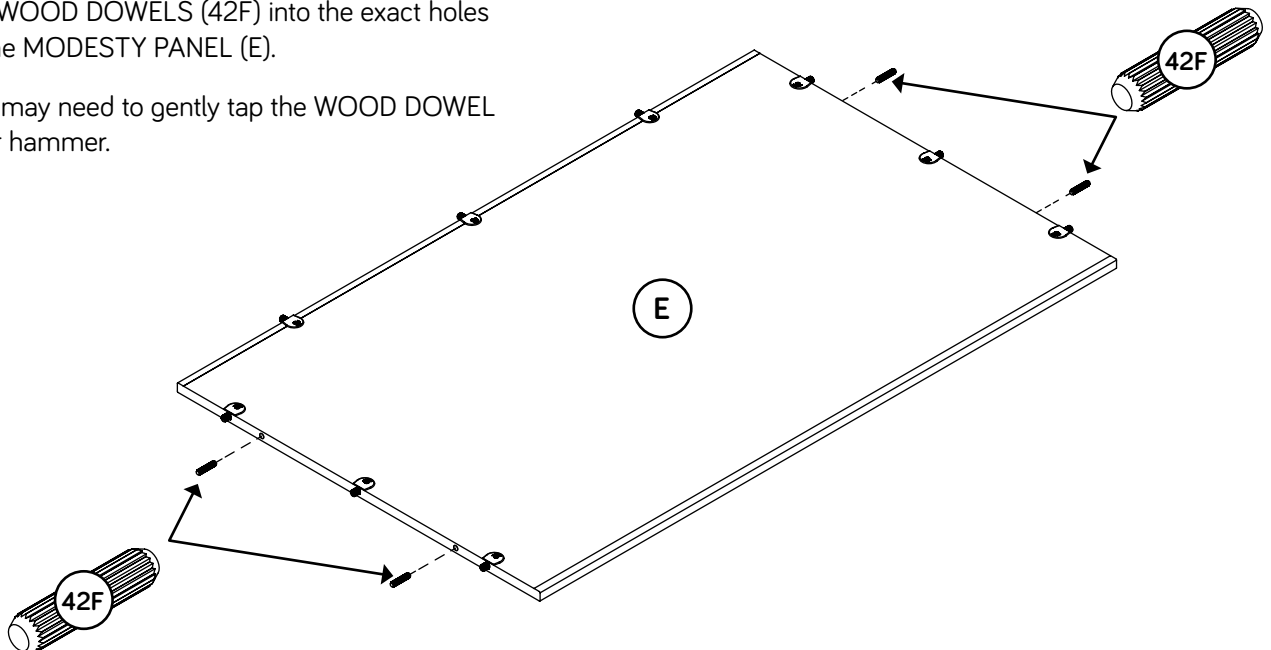
NOTE: The dowel end of the FASTENER must remain fully inserted in the hole of the adjoining part while locking the FASTENER.

2. Tighten the FASTENER with a Phillips screwdriver as tight as possible.



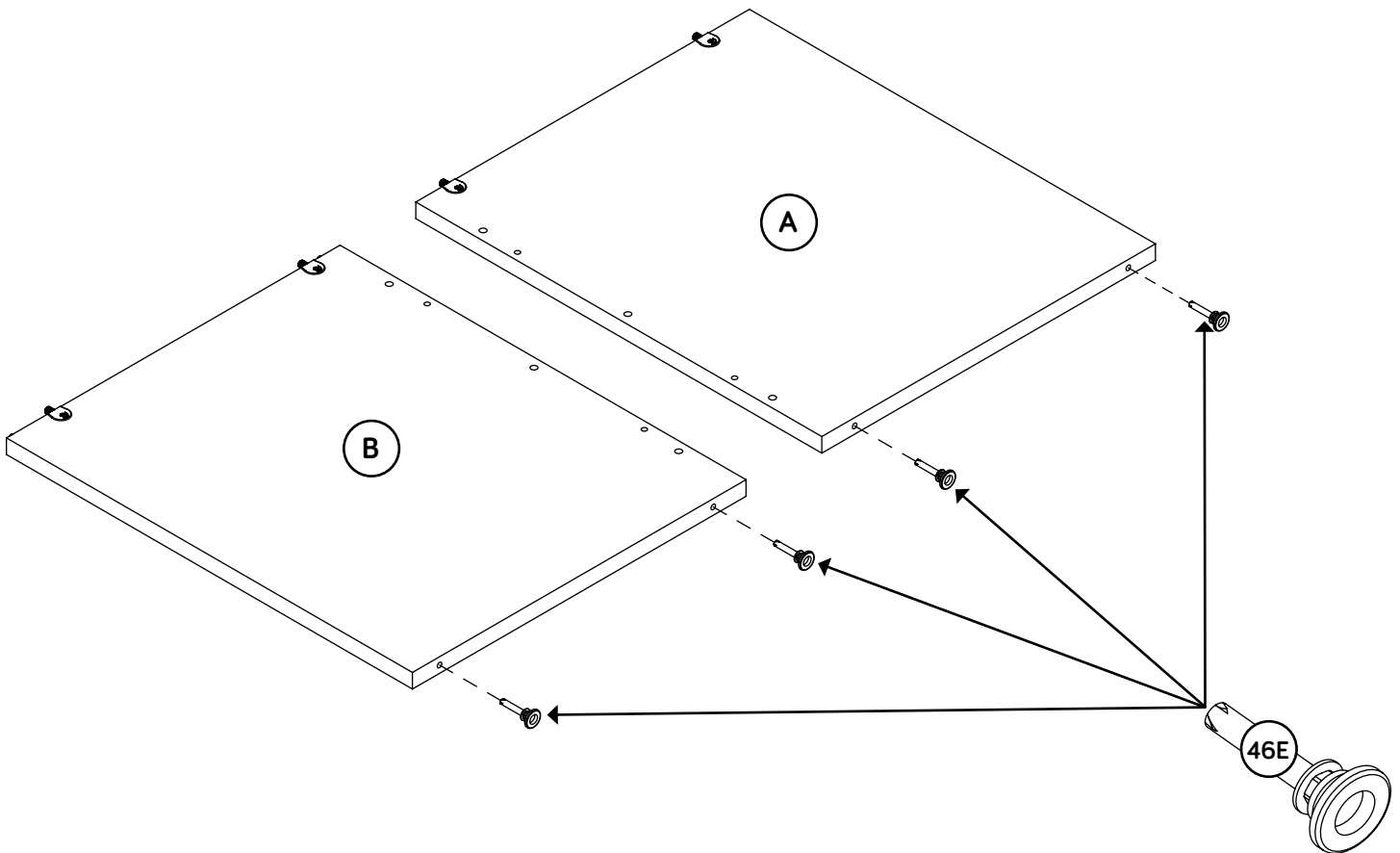
Step 2

- ✚ Assemble your unit on a carpeted floor or on the empty carton to avoid scratching your unit or the floor.
- ✚ Insert four WOOD DOWELS (42F) into the exact holes shown in the MODESTY PANEL (E).
- ✚ **NOTE:** You may need to gently tap the WOOD DOWEL in with your hammer.



Step 3

- ✚ Using your hammer, gently tap four LEVELERS (46E) completely into the holes in the ENDS (A and B).
- ✚ NOTE: Adjustments to the LEVELERS will be made later in assembly once your unit is standing upright.



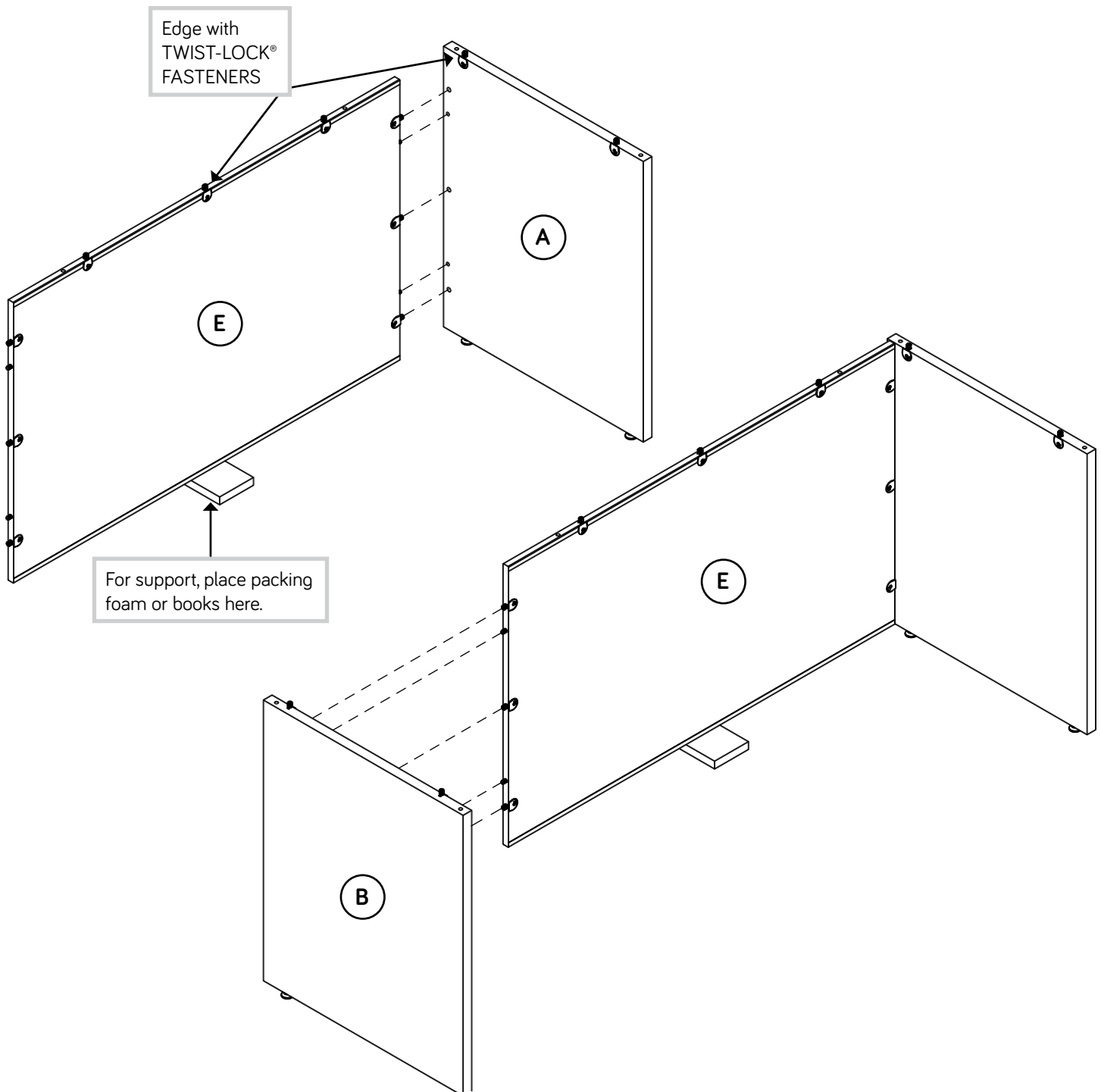
Step 4

✚ Fasten the MODESTY PANEL (E) to the RIGHT END (A). Tighten three TWIST-LOCK® FASTENERS.

✚ NOTE: Be sure the WOOD DOWELS in the MODESTY PANEL insert into the END.

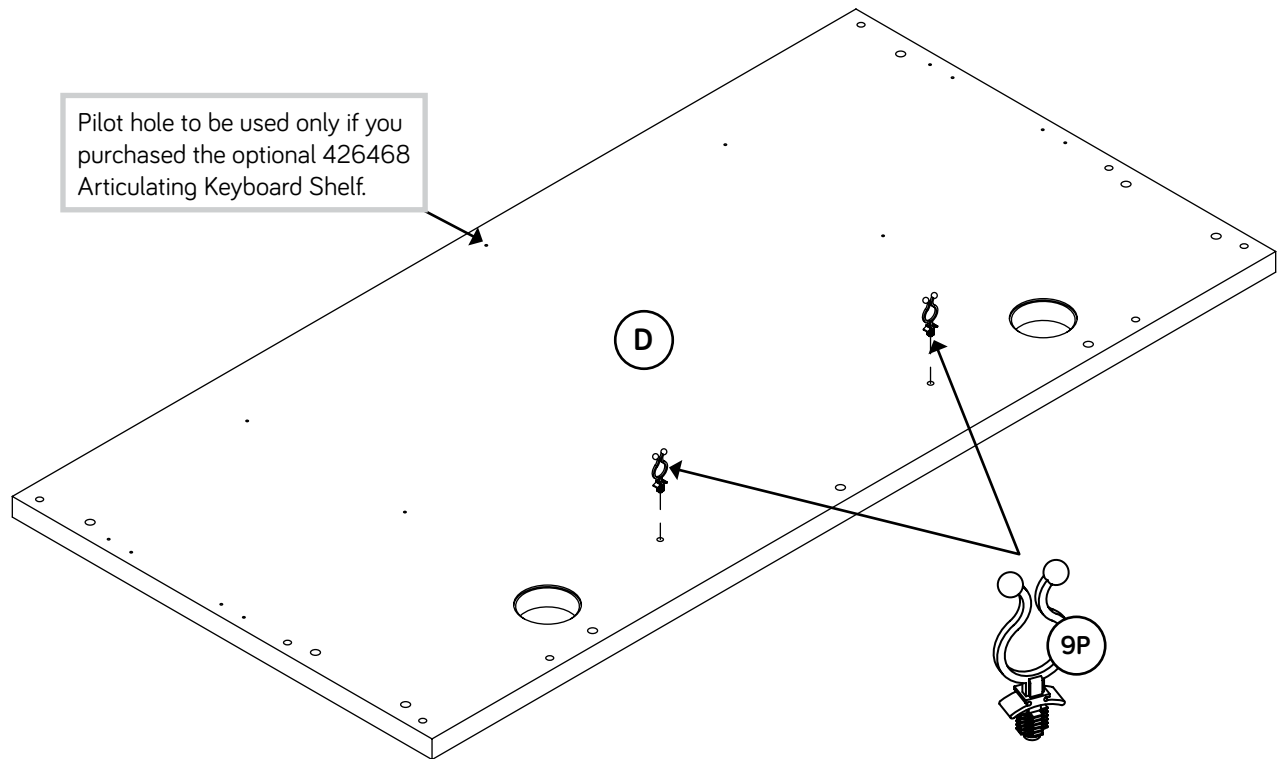
✚ Fasten the LEFT END (B) to the MODESTY PANEL (E). Tighten three TWIST-LOCK® FASTENERS.

✚ NOTE: Be sure the WOOD DOWELS in the MODESTY PANEL insert into the END.



Step 5

- ✚ Turn two CORD CLIPS (9P) into the TOP (D).
- ✚ **NOTE:** The CORD CLIP is used to hold your cords against the TOP.



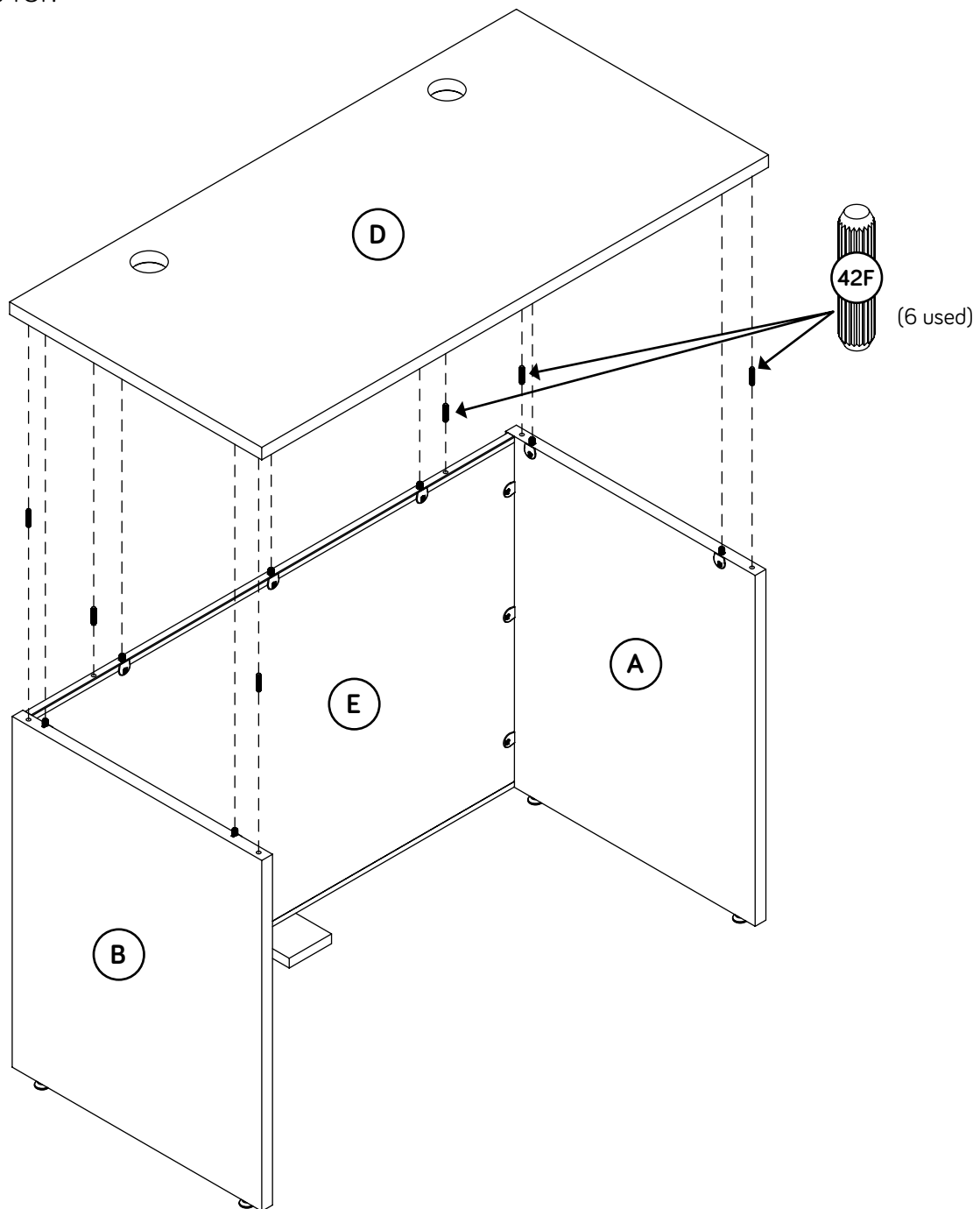
Step 6

✚ Insert six WOOD DOWELS (42F) into the holes in the edges of the ENDS (A and B) and MODESTY PANEL (E).

✚ NOTE: You may need to gently tap the WOOD DOWEL in with your hammer.

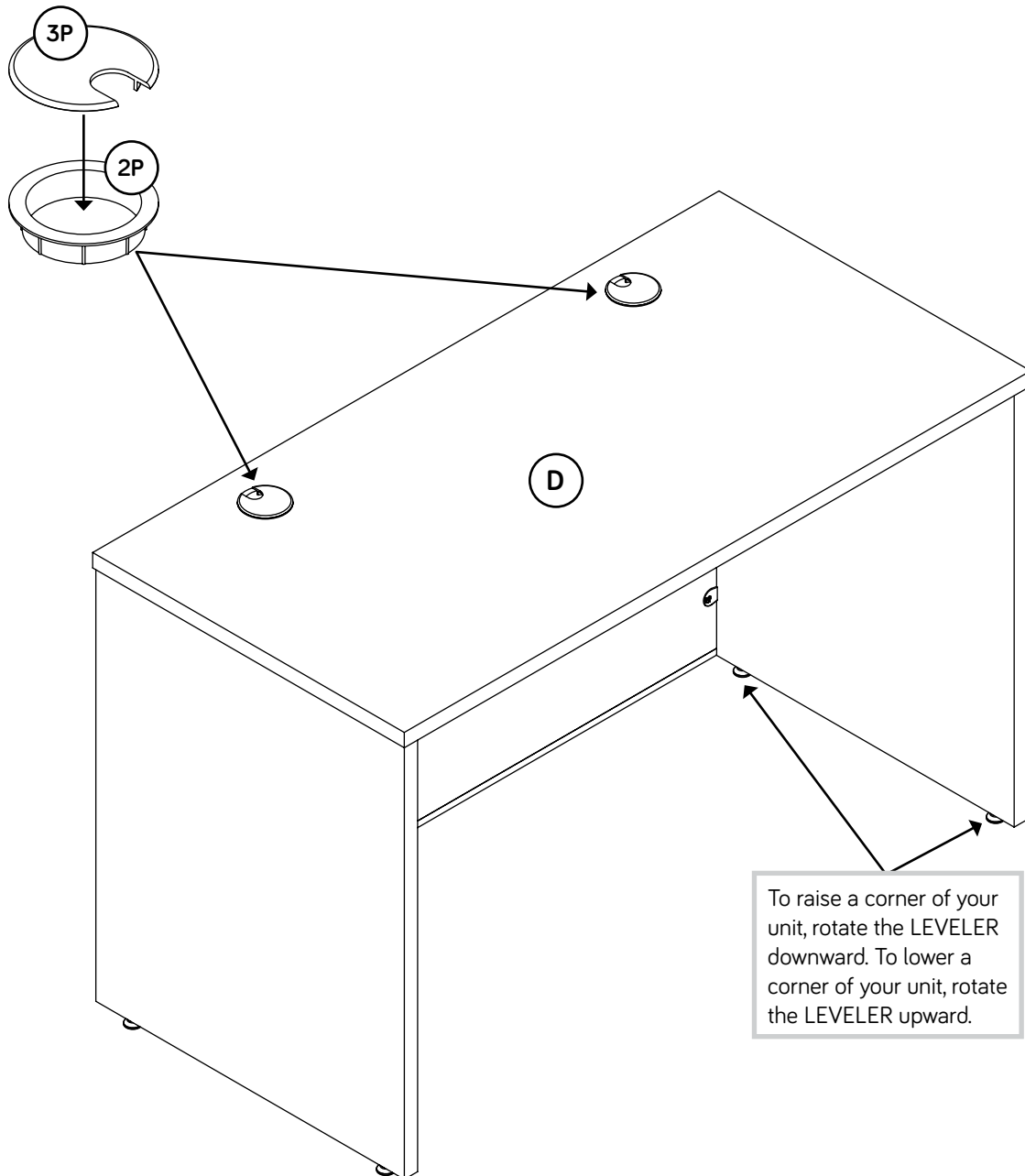
✚ With someone's help, fasten the TOP (D) to the ENDS (A and B) and MODESTY PANEL (E). Tighten seven TWIST-LOCK® FASTENERS.

✚ NOTE: Be sure the WOOD DOWELS in the ENDS and MODESTY PANEL insert into the TOP.



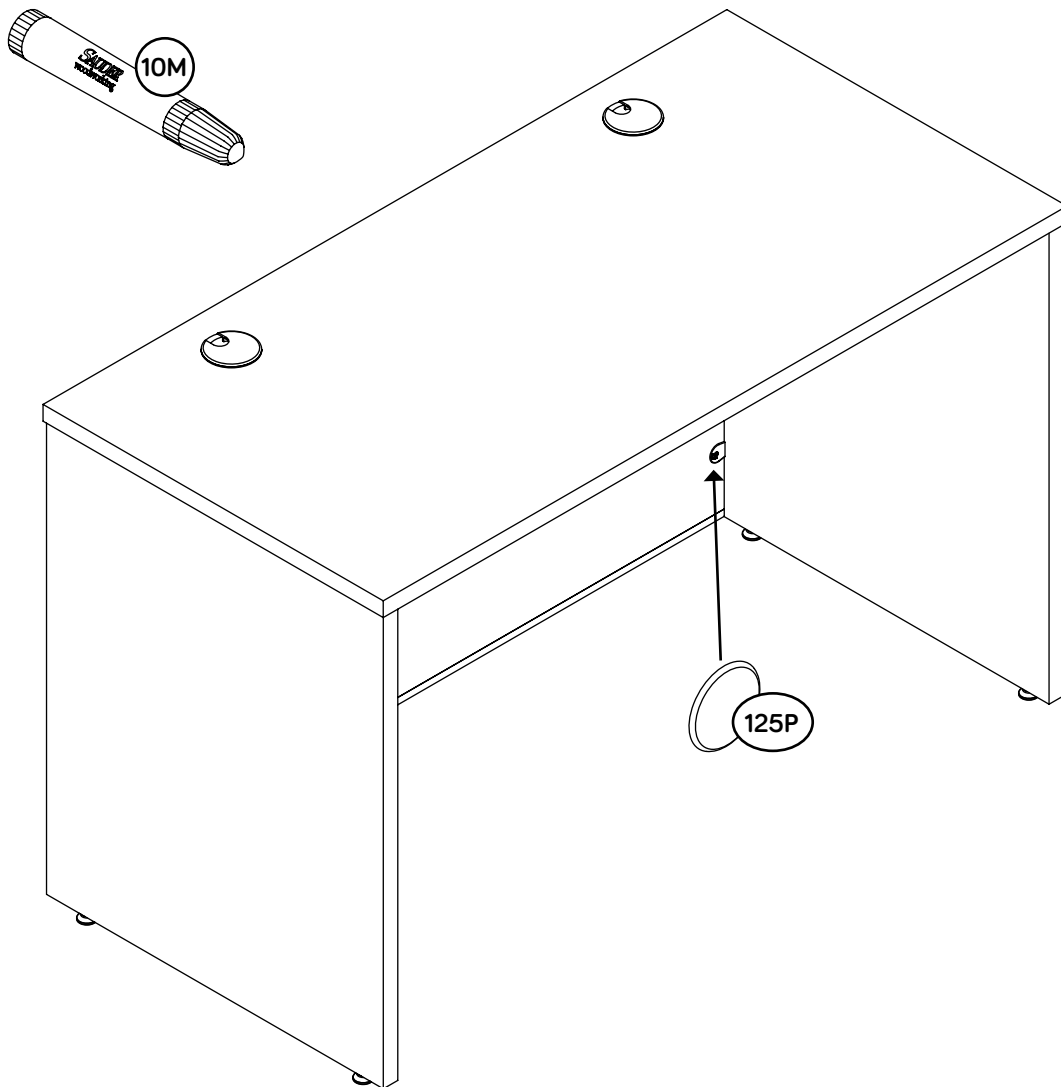
Step 7

- ✚ Your unit may need leveling. To raise a corner of your unit, rotate the LEVELER downward. To lower a corner of your unit, rotate the LEVELER upward.
- ✚ Insert a GROMMET (2P) and GROMMET CAP (3P) into each large hole in the TOP (D).



Step 8

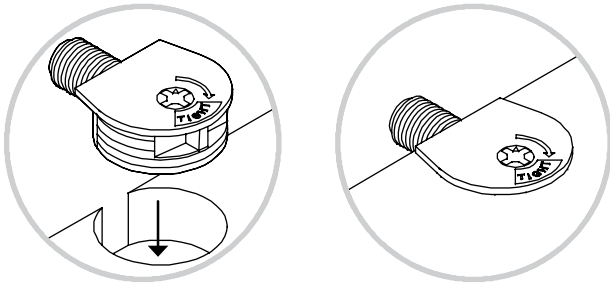
- ✦ For long-term care and maintenance of your unit, you may touch up the edges with the TOUCH-UP PEN (10M).
- ✦ Using your hammer, gently tap a TWIST-LOCK® FASTENER COVER (125P) onto each visible TWIST-LOCK® FASTENER.
- ✦ NOTE: Please read the back pages of the instruction booklet for important safety information.
- ✦ This completes assembly. Clean with a damp cloth. Wipe dry.



Hardware Usage Guide

HOW TO USE A TWIST-LOCK® FASTENER

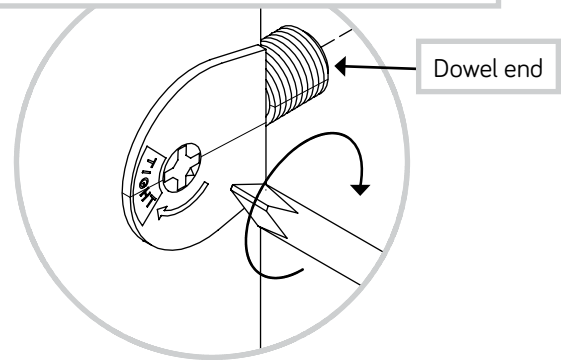
1. Push a TWIST-LOCK® FASTENER into the large hole in the part.



2. 1. Insert the dowel end of the FASTENER into the hole of the adjoining part.

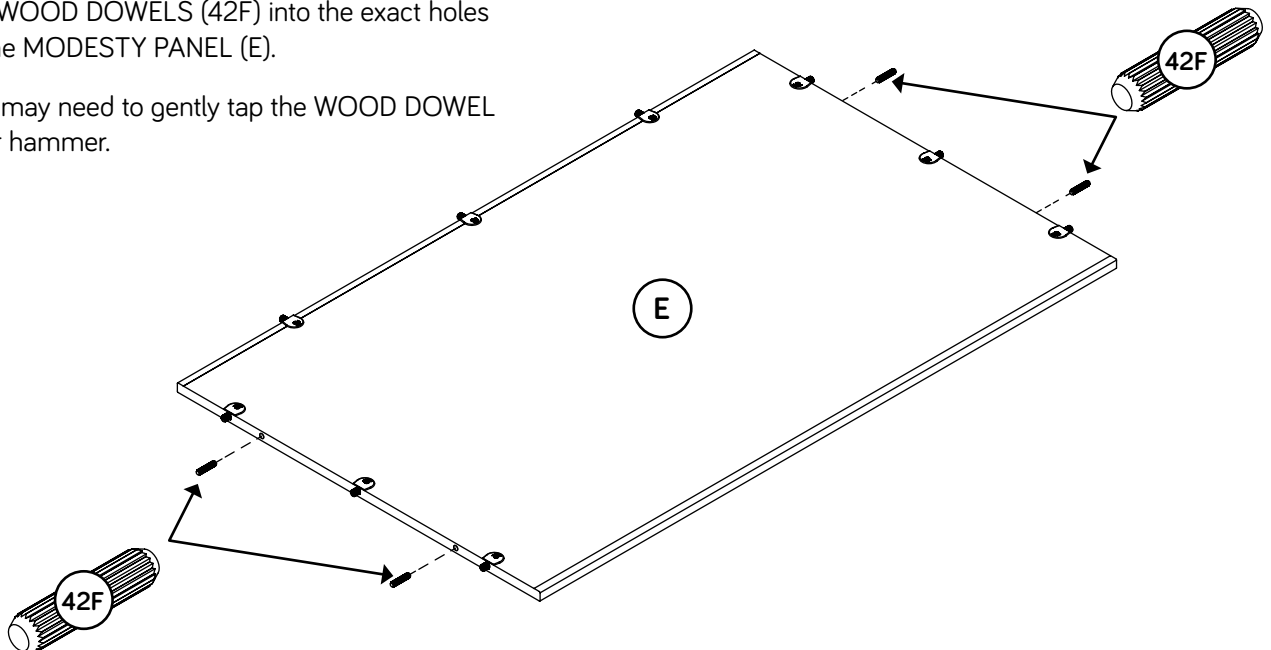
NOTE: The dowel end of the FASTENER must remain fully inserted in the hole of the adjoining part while locking the FASTENER.

2. Tighten the FASTENER with a Phillips screwdriver as tight as possible.



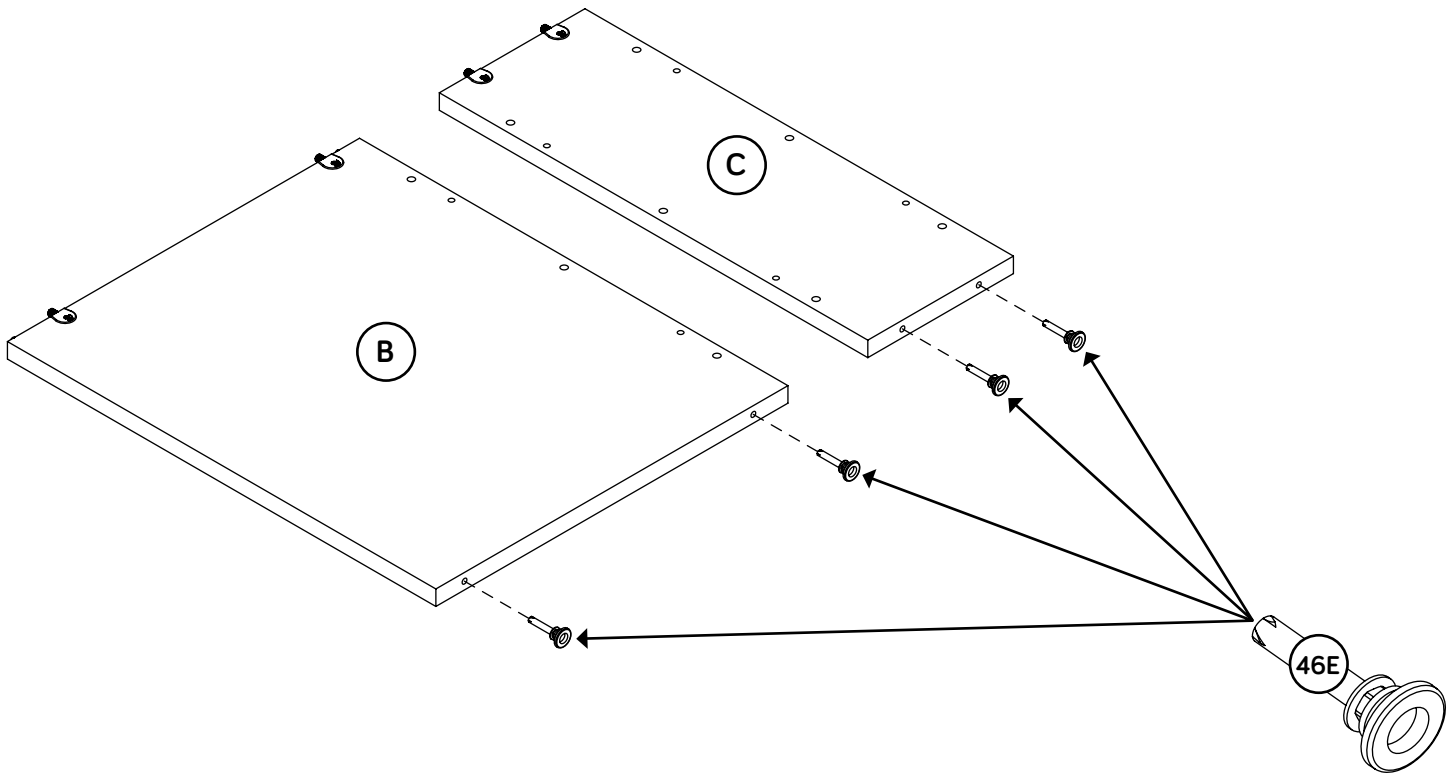
Step 9

- ⚡ Assemble your unit on a carpeted floor or on the empty carton to avoid scratching your unit or the floor.
- ⚡ Insert four WOOD DOWELS (42F) into the exact holes shown in the MODESTY PANEL (E).
- ⚡ **NOTE:** You may need to gently tap the WOOD DOWEL in with your hammer.



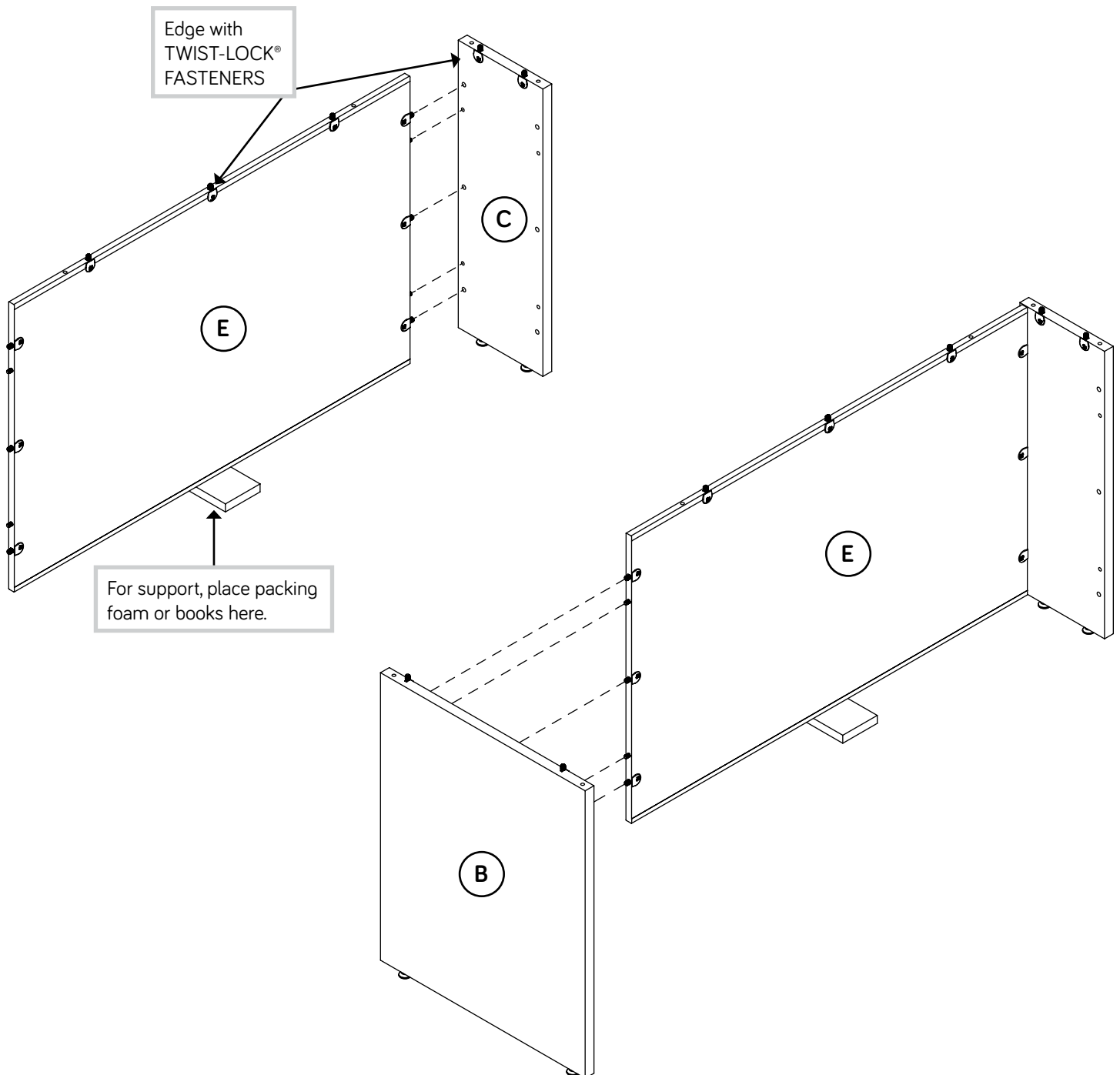
Step 10

- ✚ Using your hammer, gently tap four LEVELERS (46E) completely into the holes in the ENDS (B and C).
- ✚ NOTE: Adjustments to the LEVELERS will be made later in assembly once your unit is standing upright.



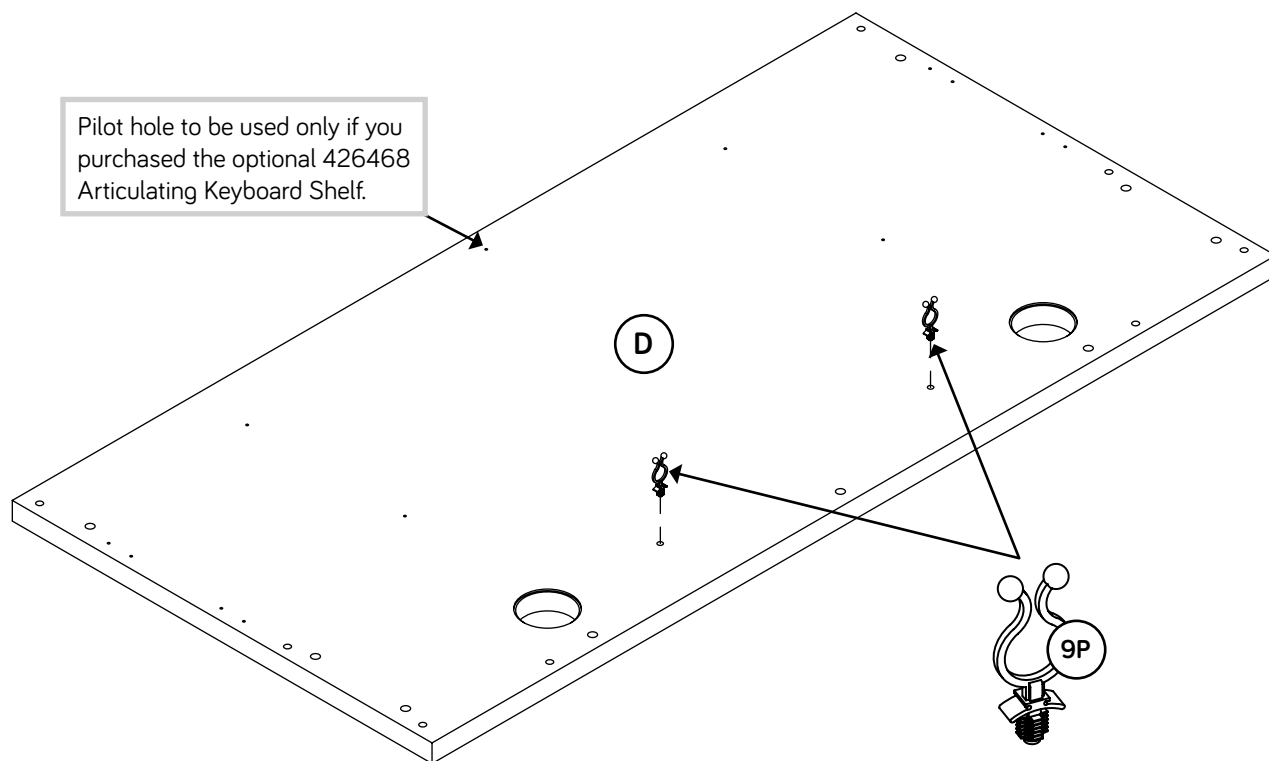
Step 11

- ✚ Fasten the MODESTY PANEL (E) to the SMALL END (C). Tighten three TWIST-LOCK® FASTENERS.
- ✚ NOTE: Be sure the WOOD DOWELS in the MODESTY PANEL insert into the END.
- ✚ Fasten the LEFT END (B) to the MODESTY PANEL (E). Tighten three TWIST-LOCK® FASTENERS.
- ✚ NOTE: Be sure the WOOD DOWELS in the MODESTY PANEL insert into the END.



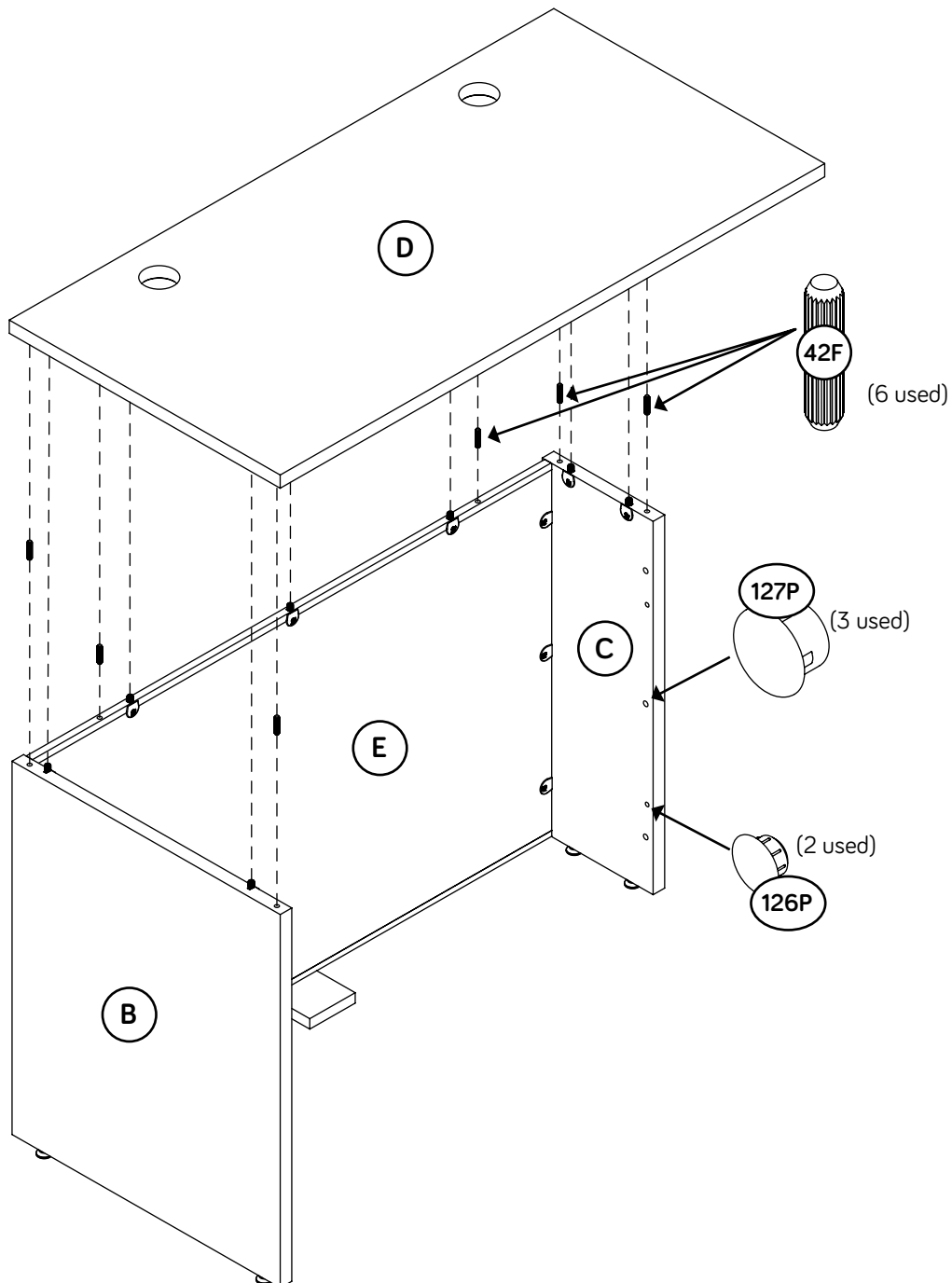
Step 12

- ✚ Turn two CORD CLIPS (9P) into the TOP (D).
- ✚ **NOTE:** The CORD CLIP is used to hold your cords against the TOP.



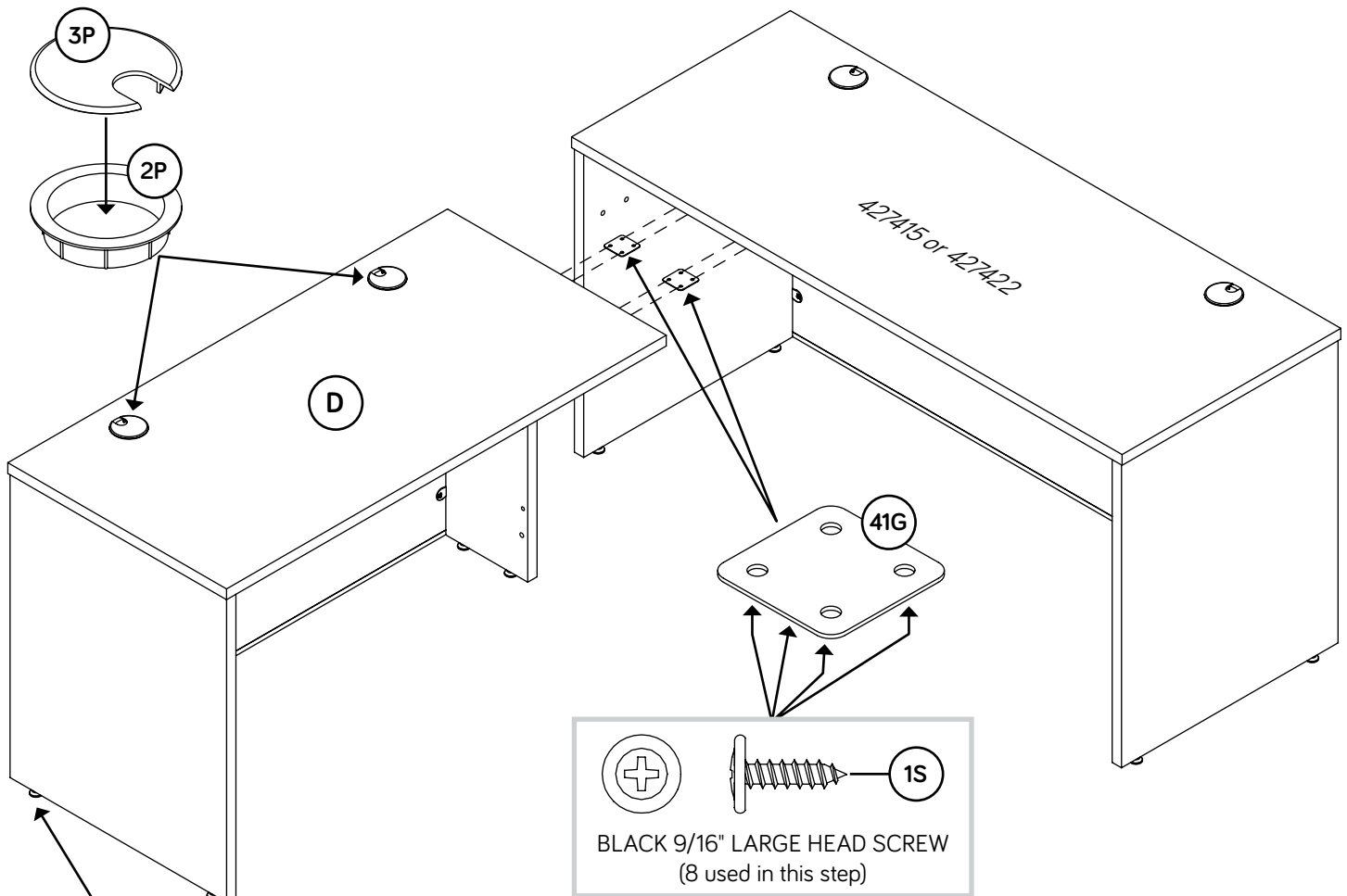
Step 13

- ✚ Insert six WOOD DOWELS (42F) into the holes in the edges of the ENDS (B and C) and MODESTY PANEL (E).
- ✚ NOTE: You may need to gently tap the WOOD DOWEL in with your hammer.
- ✚ With someone's help, fasten the TOP (D) to the ENDS (B and C) and MODESTY PANEL (E). Tighten seven TWIST-LOCK® FASTENERS.
- ✚ NOTE: Be sure the WOOD DOWELS in the ENDS and MODESTY PANEL insert into the TOP.
- ✚ Insert a HOLE PLUG (126P or 127P) into any unused hole in the SMALL END (C).



Step 14

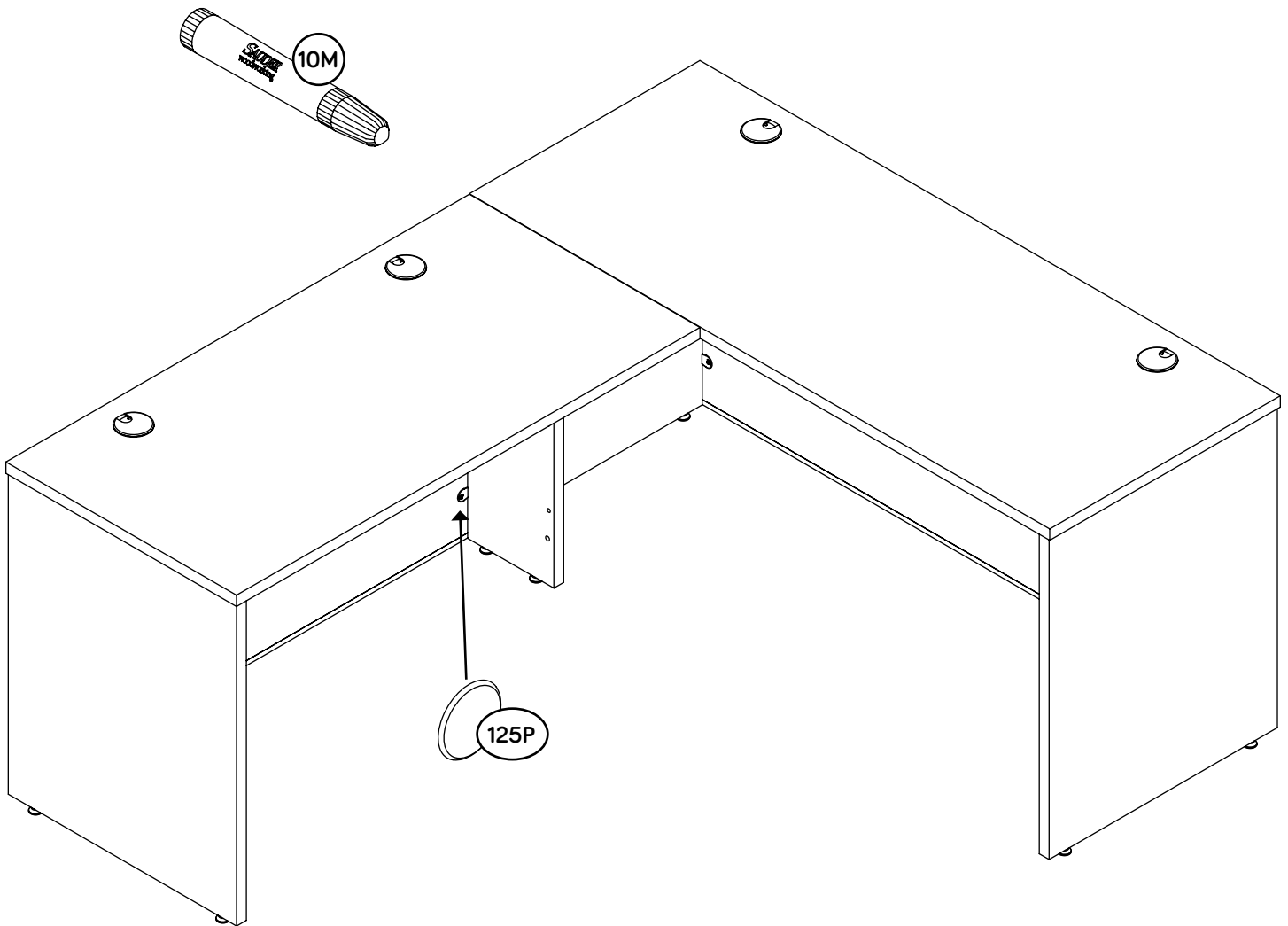
- ✚ Fasten the TOP (D) to the TOP of the other desk. Use two PLATES (41G) and eight BLACK 9/16" LARGE HEAD SCREWS (1S).
- ✚ Your unit may need leveling. To raise a corner of your unit, rotate the LEVELER downward. To lower a corner of your unit, rotate the LEVELER upward.
- ✚ Insert a GROMMET (2P) and GROMMET CAP (3P) into each large hole in the TOP (D).



To raise a corner of your unit, rotate the LEVELER downward. To lower a corner of your unit, rotate the LEVELER upward.

Step 15

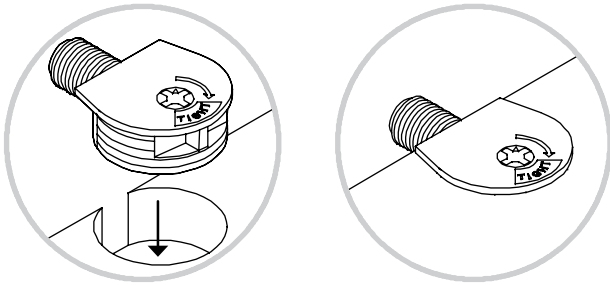
- ✦ For long-term care and maintenance of your unit, you may touch up the edges with the TOUCH-UP PEN (10M).
- ✦ Using your hammer, gently tap a TWIST-LOCK® FASTENER COVER (125P) onto each visible TWIST-LOCK® FASTENER.
- ✦ NOTE: Please read the back pages of the instruction booklet for important safety information.
- ✦ This completes assembly. Clean with a damp cloth. Wipe dry.



Hardware Usage Guide

HOW TO USE A TWIST-LOCK® FASTENER

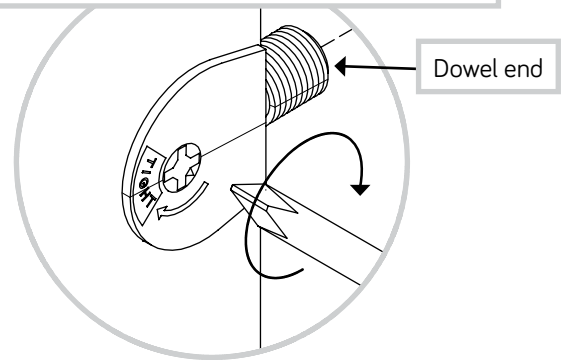
1. Push a TWIST-LOCK® FASTENER into the large hole in the part.



2. 1. Insert the dowel end of the FASTENER into the hole of the adjoining part.

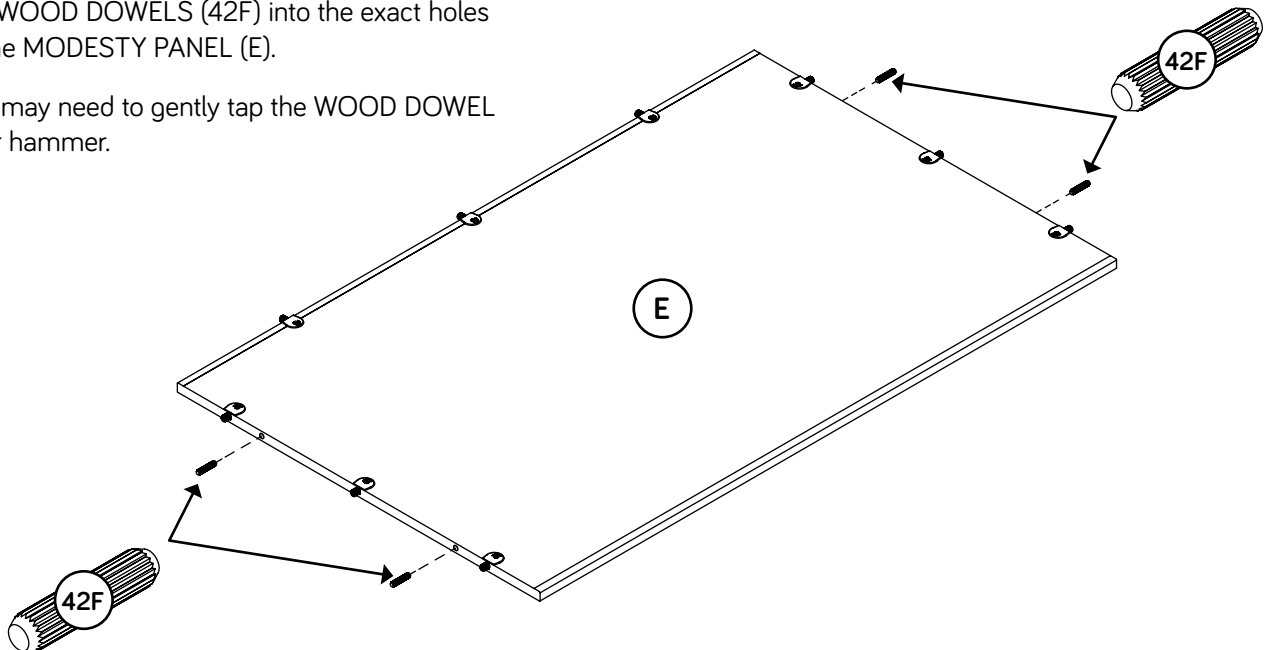
NOTE: The dowel end of the FASTENER must remain fully inserted in the hole of the adjoining part while locking the FASTENER.

2. Tighten the FASTENER with a Phillips screwdriver as tight as possible.



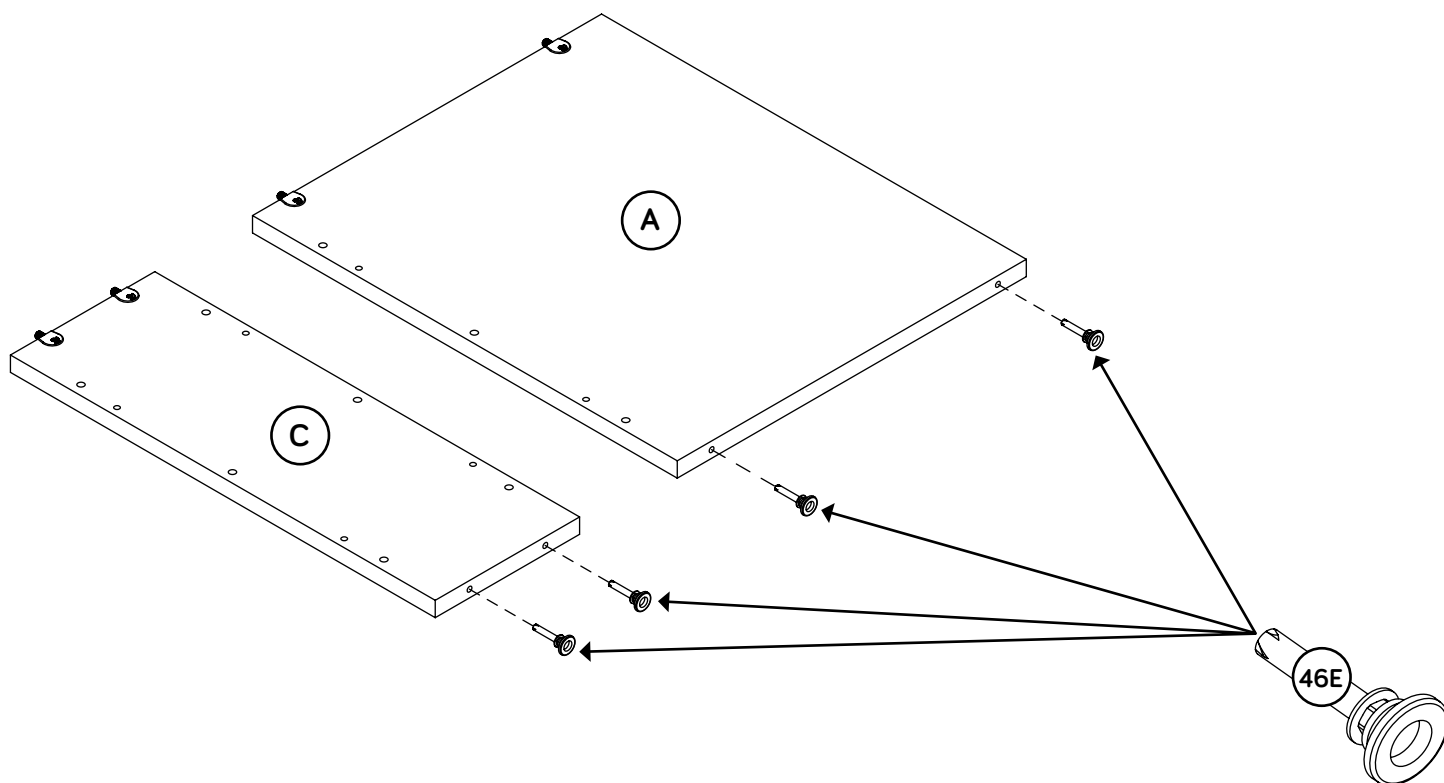
Step 16

- ✚ Assemble your unit on a carpeted floor or on the empty carton to avoid scratching your unit or the floor.
- ✚ Insert four WOOD DOWELS (42F) into the exact holes shown in the MODESTY PANEL (E).
- ✚ **NOTE:** You may need to gently tap the WOOD DOWEL in with your hammer.



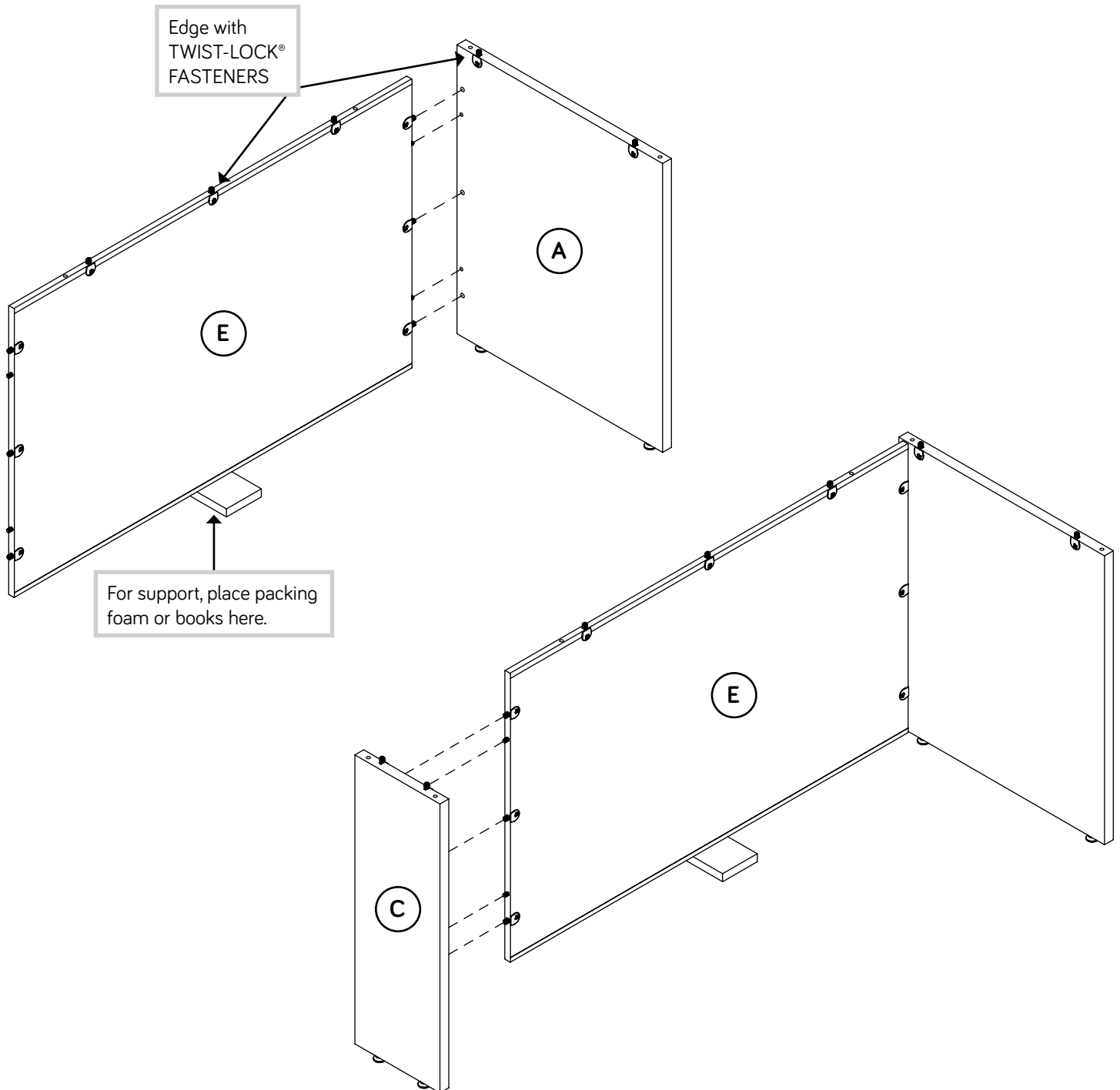
Step 17

- ✚ Using your hammer, gently tap four LEVELERS (46E) completely into the holes in the ENDS (A and C).
- ✚ NOTE: Adjustments to the LEVELERS will be made later in assembly once your unit is standing upright.



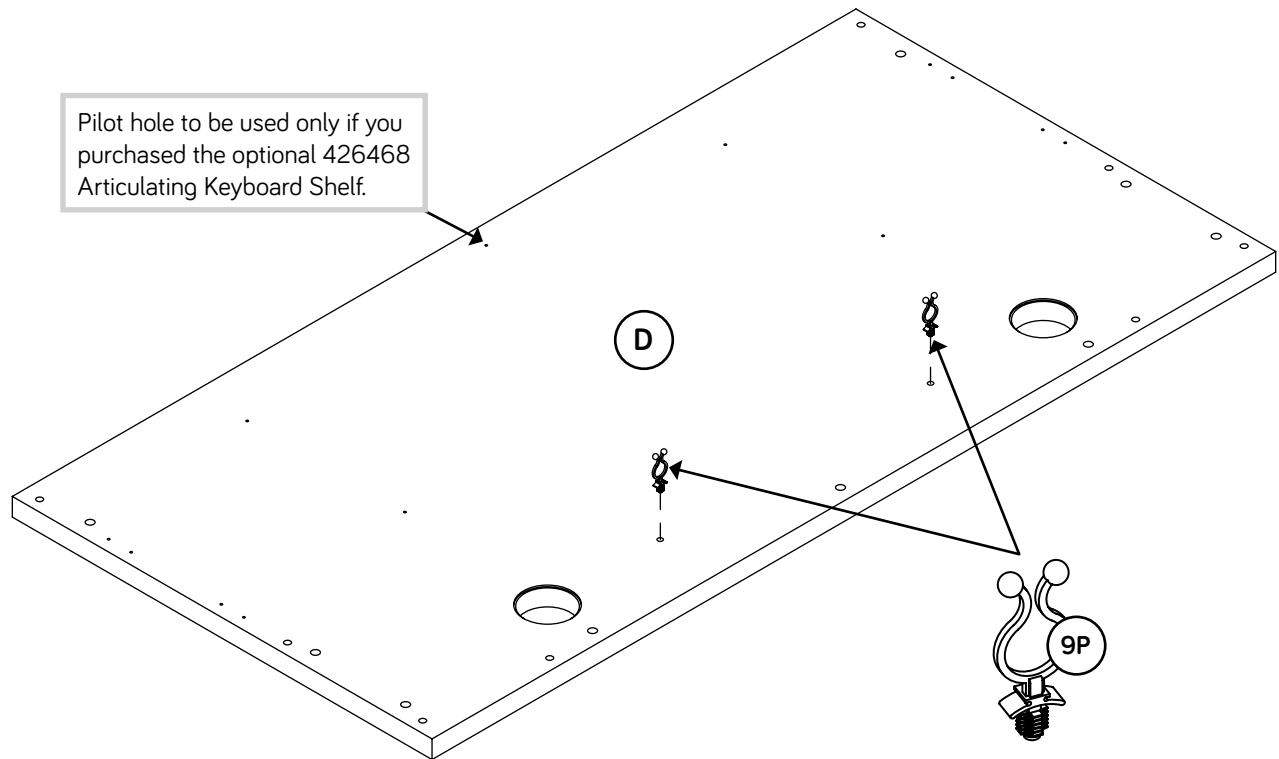
Step 18

- ✚ Fasten the MODESTY PANEL (E) to the RIGHT END (A). Tighten three TWIST-LOCK® FASTENERS.
- ✚ NOTE: Be sure the WOOD DOWELS in the MODESTY PANEL insert into the END.
- ✚ Fasten the SMALL END (C) to the MODESTY PANEL (E). Tighten three TWIST-LOCK® FASTENERS.
- ✚ NOTE: Be sure the WOOD DOWELS in the MODESTY PANEL insert into the END.



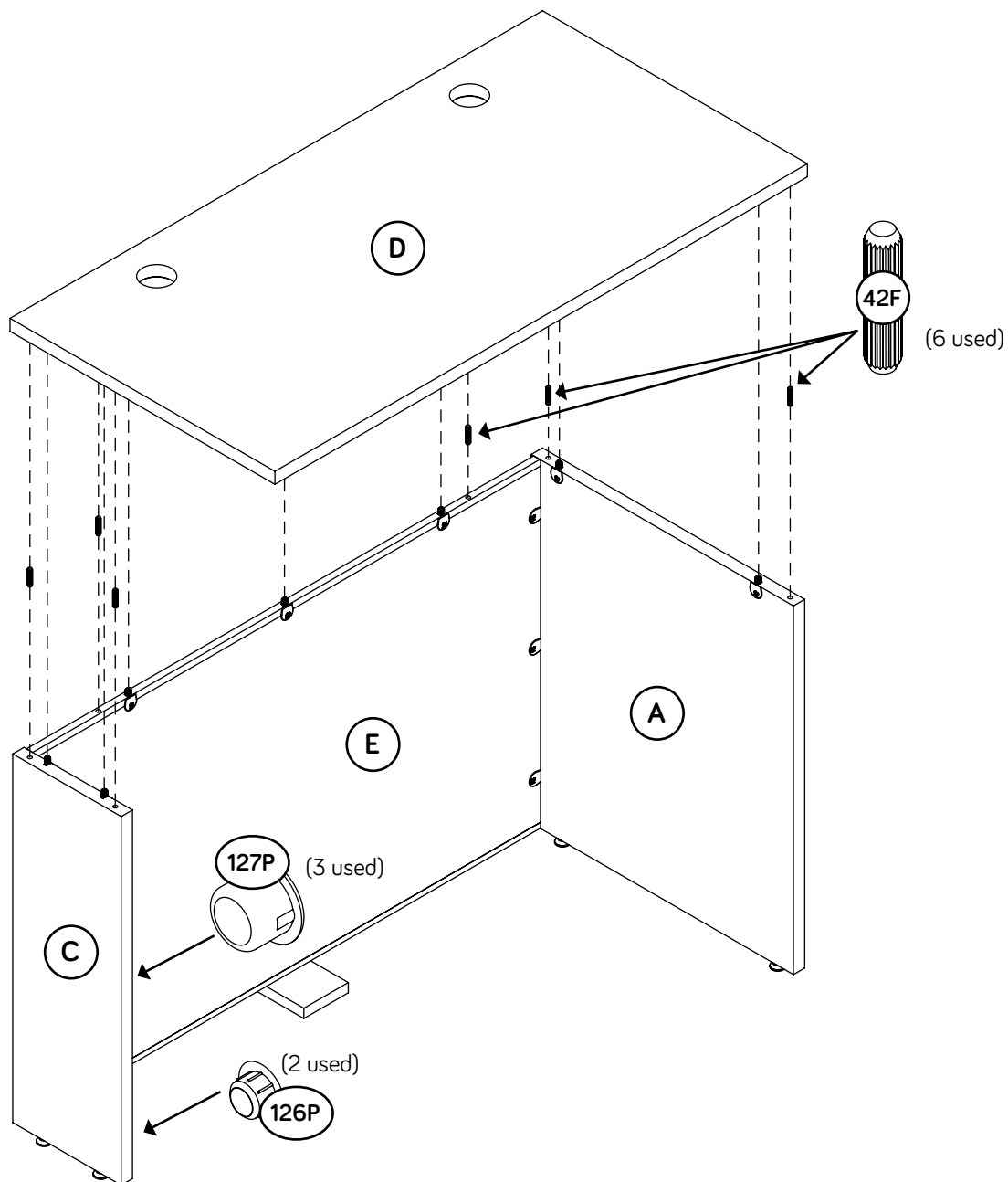
Step 19

- Turn two CORD CLIPS (9P) into the TOP (D).
- NOTE:** The CORD CLIP is used to hold your cords against the TOP.



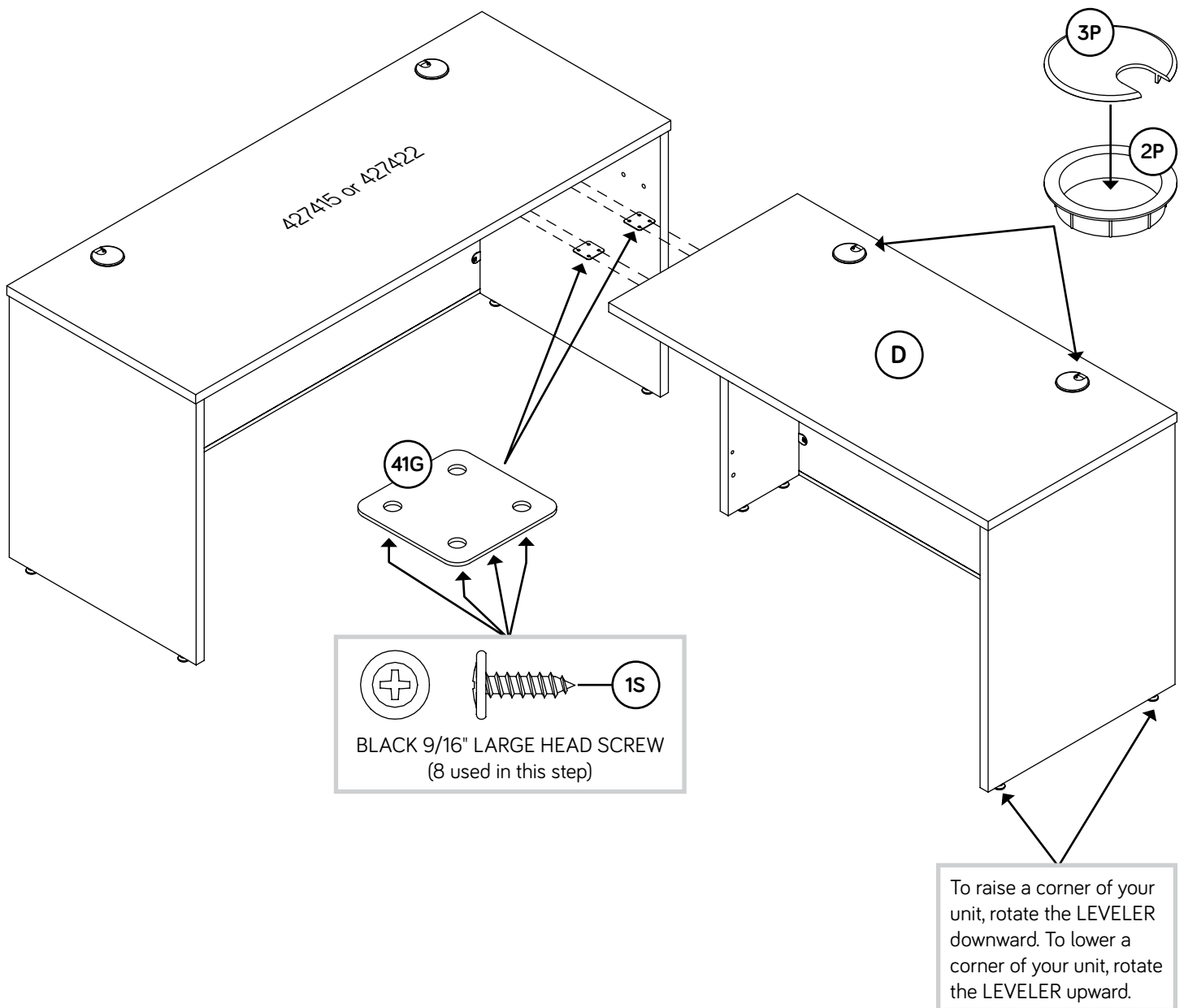
Step 20

- ✚ Insert six WOOD DOWELS (42F) into the holes in the edges of the ENDS (A and C) and MODESTY PANEL (E).
- ✚ NOTE: You may need to gently tap the WOOD DOWEL in with your hammer.
- ✚ With someone's help, fasten the TOP (D) to the ENDS (A and C) and MODESTY PANEL (E). Tighten seven TWIST-LOCK® FASTENERS.
- ✚ NOTE: Be sure the WOOD DOWELS in the ENDS and MODESTY PANEL insert into the TOP.
- ✚ Insert a HOLE PLUG (126P or 127P) into any unused hole in the SMALL END (C).



Step 21

- Fasten the TOP (D) to the TOP of the other desk. Use two PLATES (41G) and eight BLACK 9/16" LARGE HEAD SCREWS (1S).
- Your unit may need leveling. To raise a corner of your unit, rotate the LEVELER downward. To lower a corner of your unit, rotate the LEVELER upward.
- Insert a GROMMET (2P) and GROMMET CAP (3P) into each large hole in the TOP (D).



Step 22

- ✦ For long-term care and maintenance of your unit, you may touch up the edges with the TOUCH-UP PEN (10M).
- ✦ Using your hammer, gently tap a TWIST-LOCK® FASTENER COVER (125P) onto each visible TWIST-LOCK® FASTENER.
- ✦ NOTE: Please read the back pages of the instruction booklet for important safety information.
- ✦ This completes assembly. Clean with a damp cloth. Wipe dry.

