



1500x750 Desk

Hudson Elm Finish | Model 5427424

NOTE: THIS INSTRUCTION BOOKLET CONTAINS **IMPORTANT** SAFETY INFORMATION.

PLEASE READ AND KEEP FOR FUTURE REFERENCE.

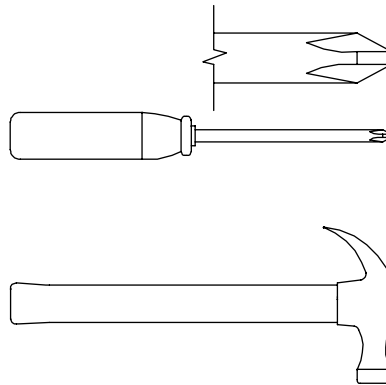
English pg 1-12
Français pg 13-14
Español pg 15-16

Lot # **572652**

11/09/21

Purchased: _____

Hardware Identification	2
Part Identification	3
Optional Accessories	4
Hardware Usage Guide	5
Assembly Steps	5-12
Français	13-14
Español	15-16
Safety	17-18
Warranty	19



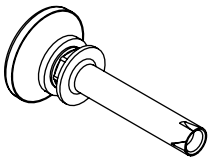
No. 2 Phillips Screwdriver
Tip Shown Actual Size

Hammer
Not actual size 😊

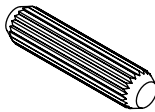
Hardware Identification

† You may receive extra hardware with your unit.

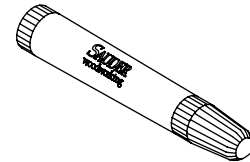
46E LEVELER - 4



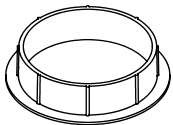
42F WOOD DOWEL - 11



10M TOUCH-UP PEN - 1



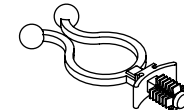
2P GROMMET - 2



3P GROMMET CAP - 2



9P CORD CLIP - 2

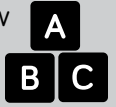


127P HOLE PLUG - 8



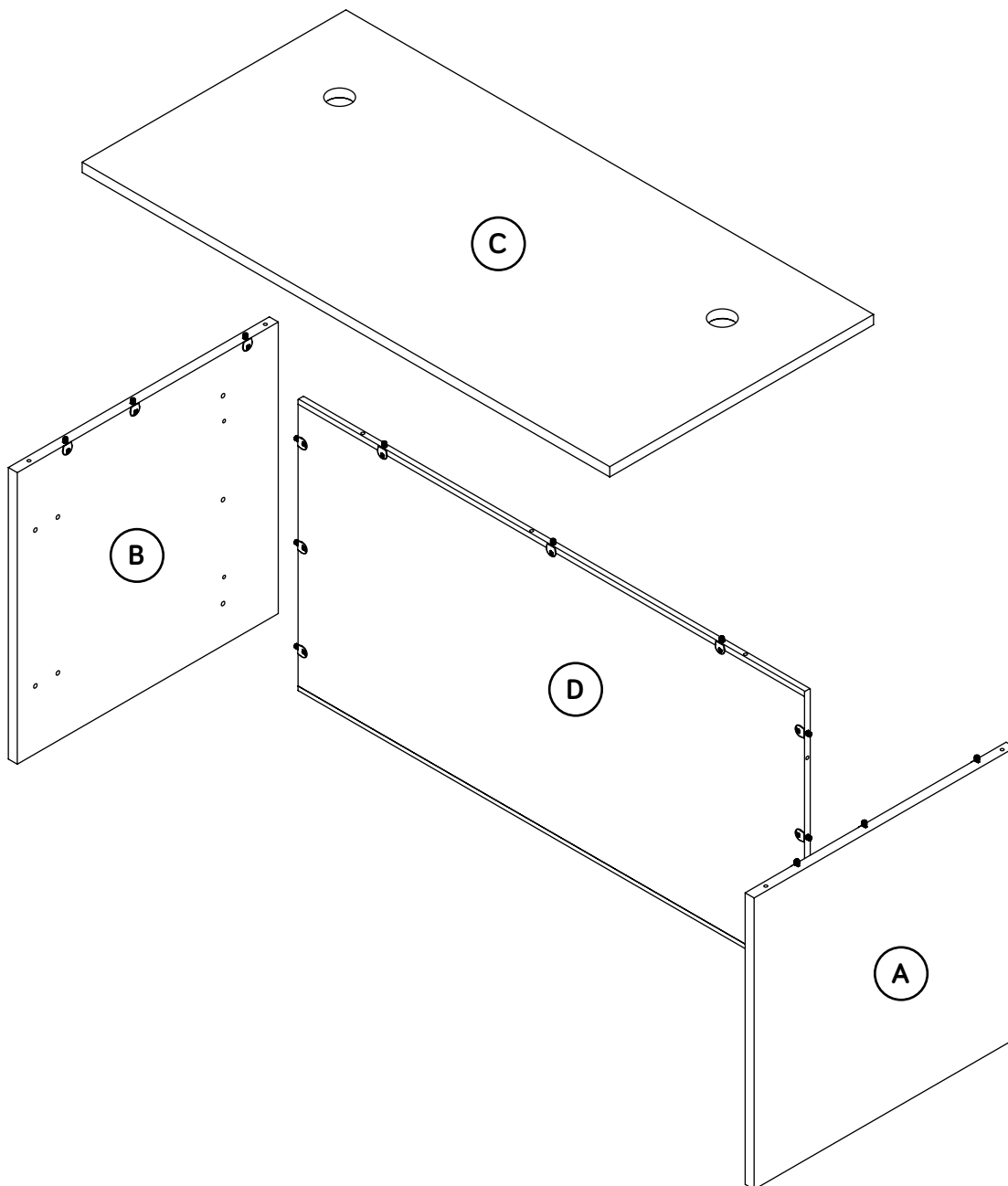
125P TWIST-LOCK®
FASTENER COVER - 15





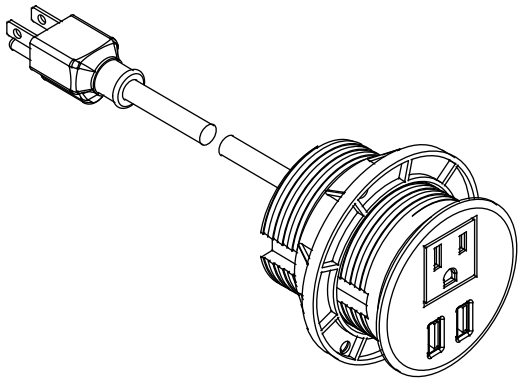
† While not all parts are labeled, some of the parts will have a label or an inked letter on the edge to help distinguish similar parts from each other. Use this part identification to help identify similar parts.

A	RIGHT END (1)
B	LEFT END (1)
C	TOP (1)
D	MODESTY PANEL (1)

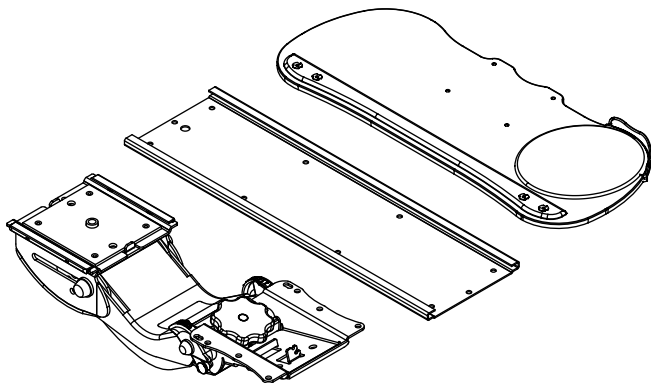


Optional Accessories (sold separately)

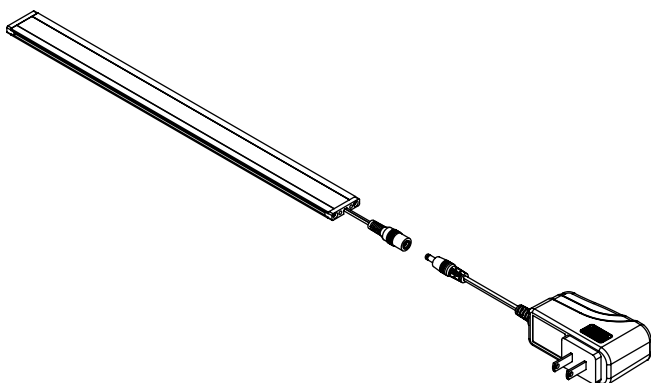
⌚ This piece of furniture accommodates one or more of the following optional accessories (sold separately). ⌚ **Powered Grommet (Item 5427829)**



⌚ **Articulating Keyboard Shelf (Item 5426468)**
⌚ The Articulating Keyboard Shelf is designed to be fastened to the underside of your desk, desk return, or credenza top.

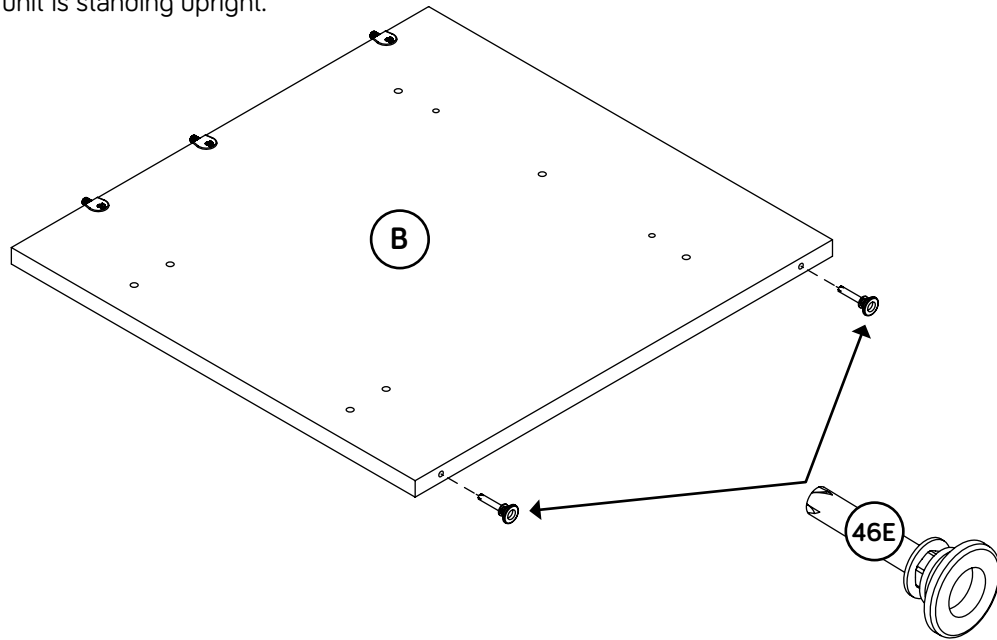


⌚ **LED Light (Item 5426494)**
⌚ The LED Light is designed to be fastened to the underside of a hutch.



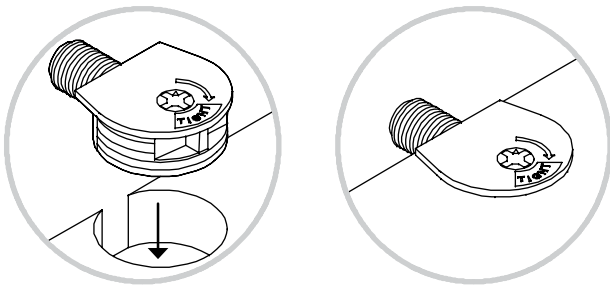
Step 1

- ✦ Assemble your unit on a carpeted floor or on the empty carton to avoid scratching your unit or the floor.
- ✦ Using your hammer, gently tap two LEVELERS (46E) completely into the holes in the LEFT END (B).
- ✦ NOTE: Adjustments to the LEVELERS will be made later in assembly once your unit is standing upright.



Hardware Usage Guide

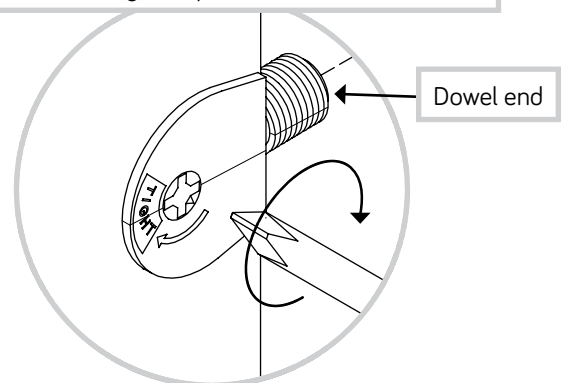
1. Push a TWIST-LOCK® FASTENER into the large hole in the part.



2. 1. Insert the dowel end of the FASTENER into the hole of the adjoining part.

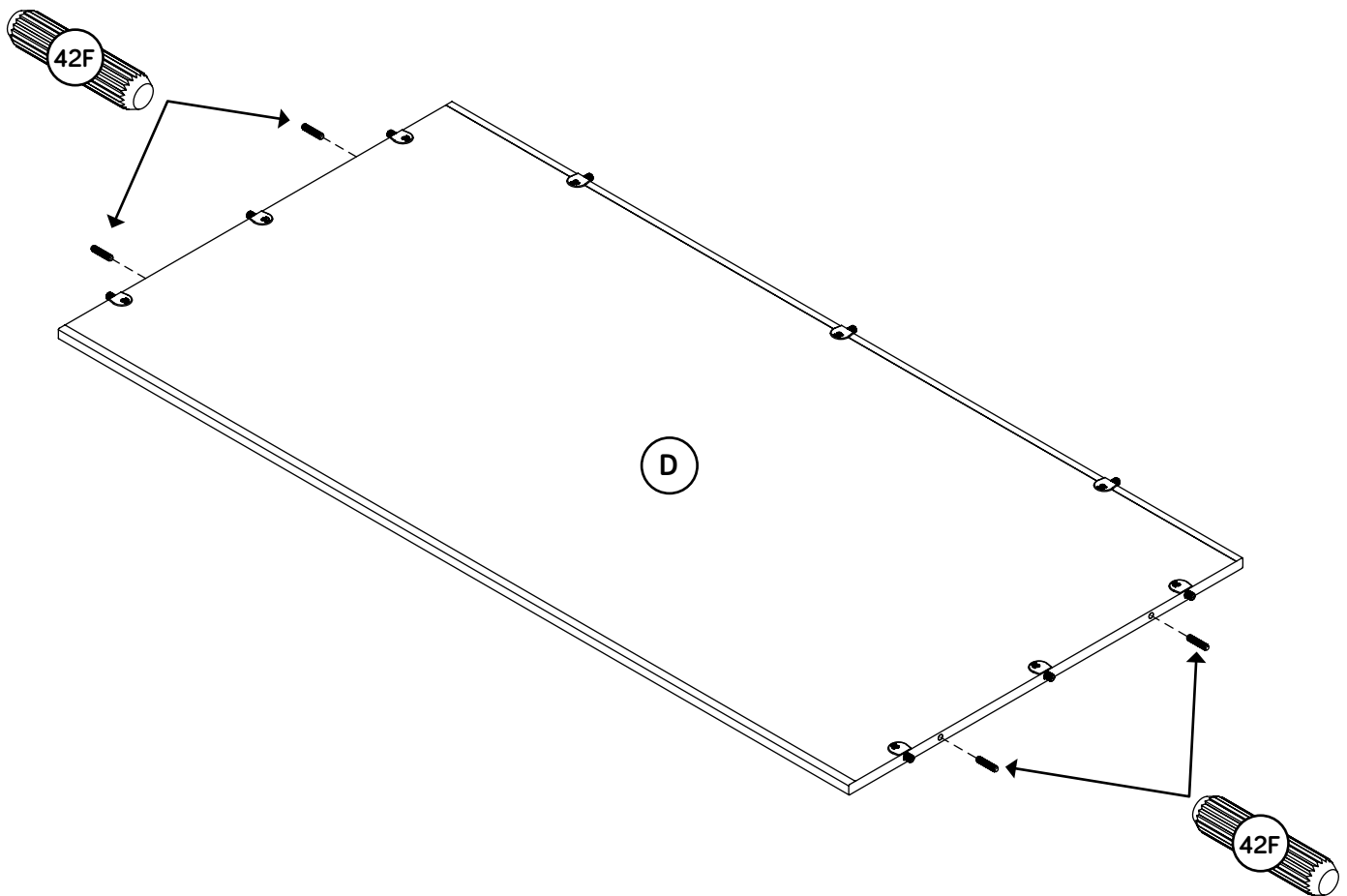
NOTE: The dowel end of the FASTENER must remain fully inserted in the hole of the adjoining part while locking the FASTENER.

2. Tighten the FASTENER with a Phillips screwdriver as tight as possible.



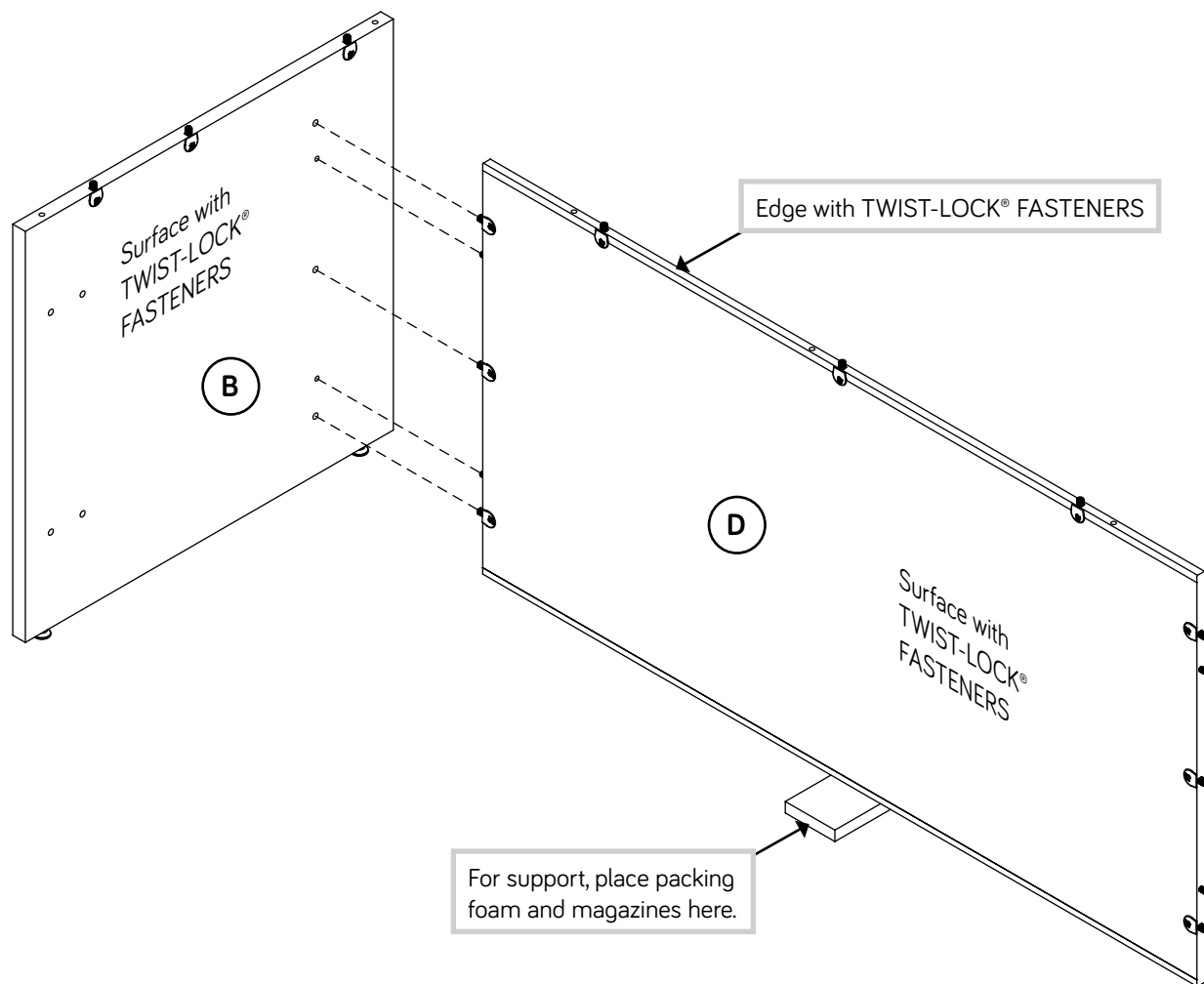
Step 2

- ✚ Insert four WOOD DOWELS (42F) into the holes shown in the MODESTY PANEL (D).
- ✚ NOTE: You may need to gently tap the WOOD DOWELS in with your hammer.



Step 3

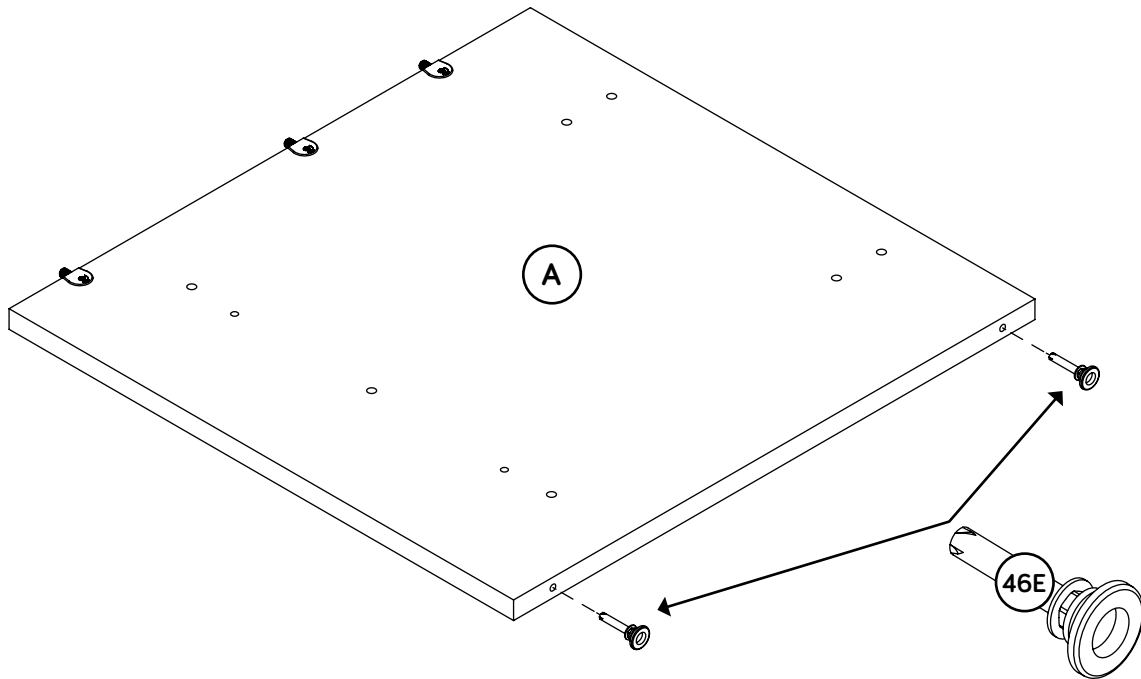
- ✚ Fasten the LEFT END (B) to the MODESTY PANEL (D).
Tighten three TWIST-LOCK® FASTENERS.
- ✚ NOTE: Be sure the WOOD DOWELS in the MODESTY PANEL insert into the LEFT END.



Step 4

✚ Using your hammer, gently tap the remaining LEVELERS (46E) completely into the holes in the RIGHT END (A).

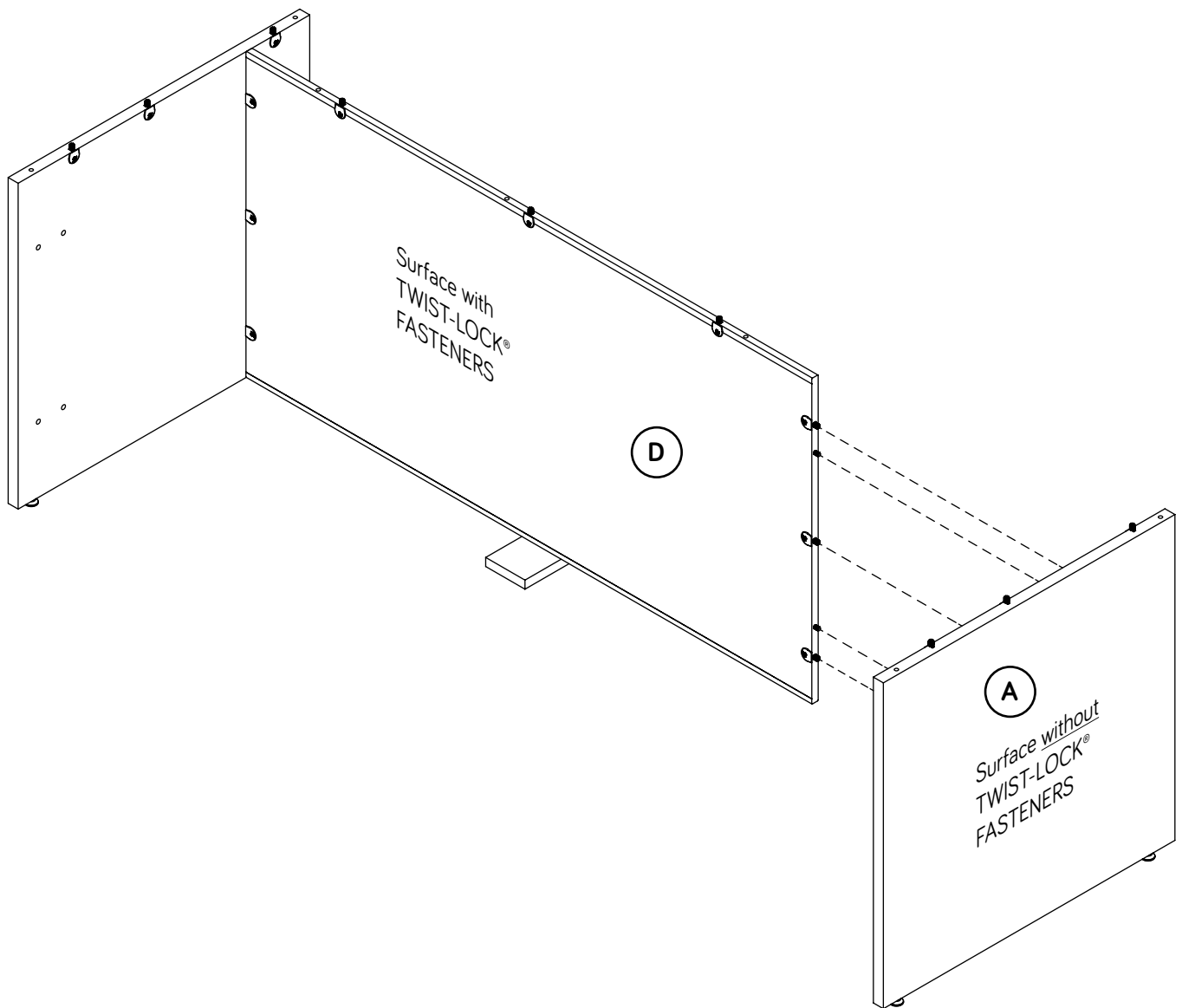
✚ NOTE: Adjustments to the LEVELERS will be made later in assembly once your unit is standing upright.



Step 5

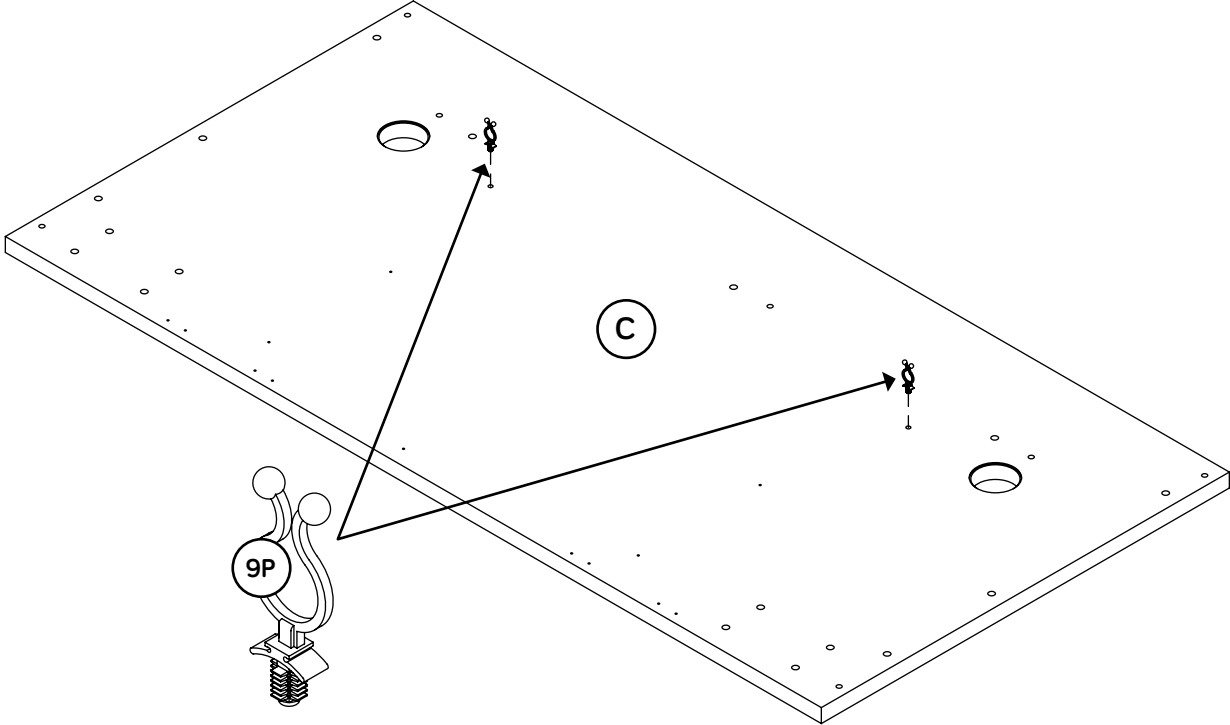
✚ Fasten the RIGHT END (A) to the MODESTY PANEL (D).
Tighten three TWIST-LOCK® FASTENERS.

✚ NOTE: Be sure the WOOD DOWELS in the MODESTY PANEL insert into the RIGHT END.



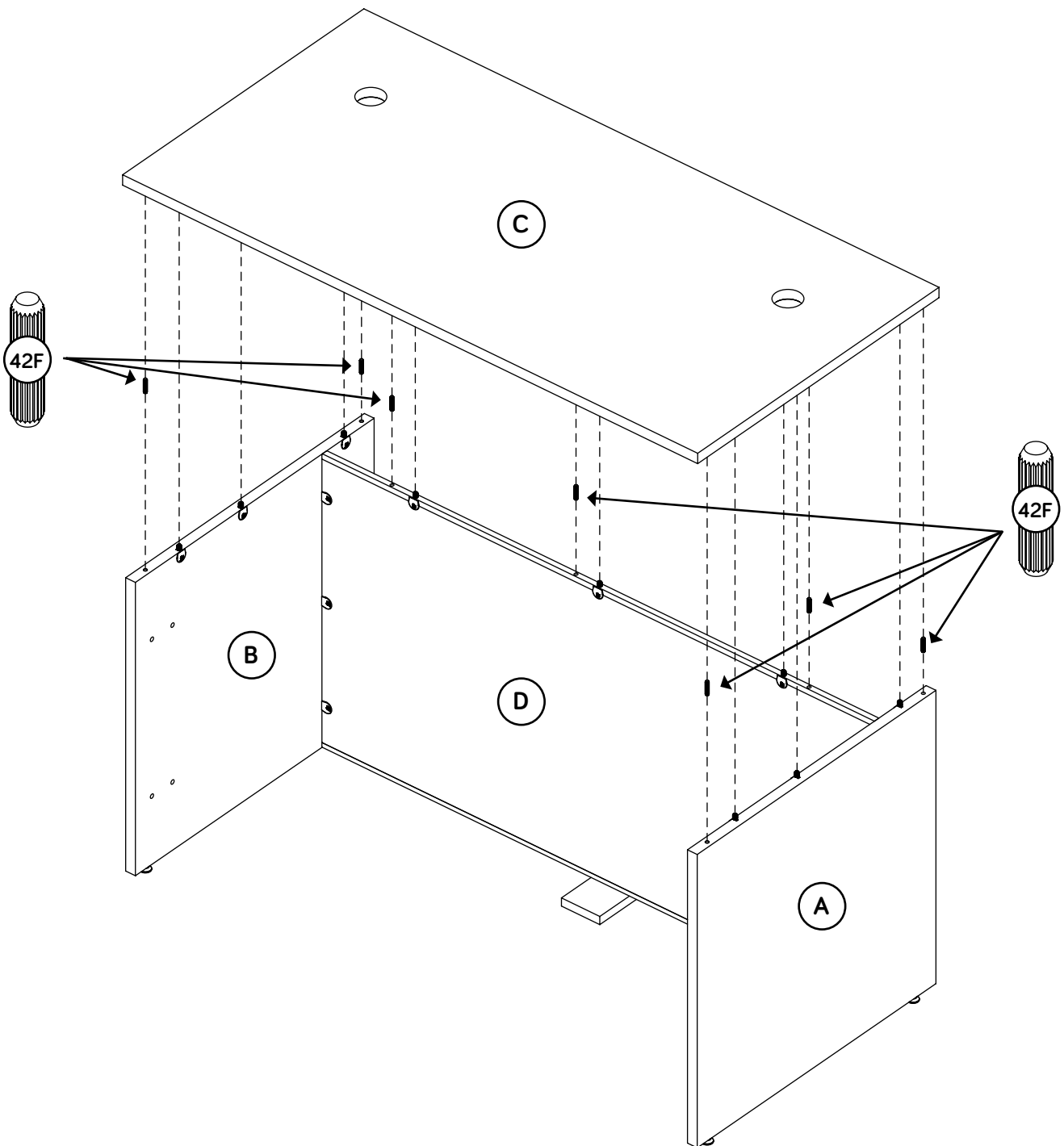
Step 6

Push two CORD CLIPS (9P) into the TOP (C).



Step 7

- ✚ Insert seven WOOD DOWELS (42F) into the exact holes shown in the ENDS (A and B) and MODESTY PANEL (D).
- ✚ NOTE: You may need to gently tap the WOOD DOWELS in with your hammer.
- ✚ Fasten the TOP (C) to the ENDS (A and B) and MODESTY PANEL (D). Tighten nine TWIST-LOCK® FASTENERS.
- ✚ NOTE: Be sure the WOOD DOWELS in the ENDS and MODESTY PANEL insert into the TOP.



Step 8

- ✦ Your unit may need leveling. To raise a corner of your unit, rotate the LEVELER downward. To lower a corner of your unit, rotate the LEVELER upward.
- ✦ For long-term care and maintenance of your unit, you may touch up the edges with the TOUCH-UP PEN (10M).
- ✦ Insert a HOLE PLUG (127P) into any unused hole in the ENDS (A and B).
- ✦ Insert a GROMMET (2P) and GROMMET CAP (3P) into each large hole in the TOP (C).
- ✦ Using your hammer, gently tap a TWIST-LOCK® FASTENER COVER (125P) onto each visible TWIST-LOCK® FASTENER.
- ✦ **NOTE:** Please read the back pages of the instruction booklet for important safety information.
- ✦ This completes assembly. Clean with a damp cloth. Wipe dry.

